



Husky 353 V38 / V44

High capacity economical roof mount HVAC unit

The Husky 353 is an economical roof mount HVAC unit for specific market needs. When combined with MCC's recommended compressors, the Husky 353 will provide optimum cooling and heating capacity for great value. The two models are sized to accommodate extreme cooling

requirements for hot and tropical regions. Multiple motor options allow for greater choice to suit the application, from standard brush motors to brushless motors or a mix of both. Combined with MCC's electronics it provides easy operation.



Features

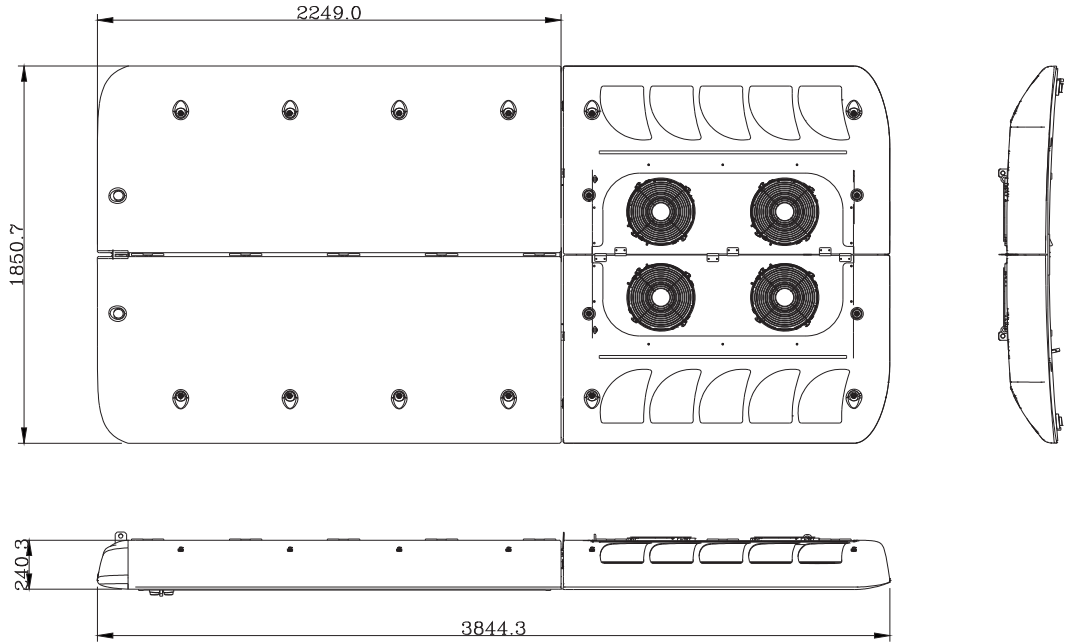
- Motor options brushed and brushless
- Micro channel MCHX condenser coils
- R134a refrigerant with optimal system design
- Centre return air access
- Optimal heating and cooling capacity
- EcoTemp Lite controller
- Compressor options

Benefits

- lower cost standard life or upgrade to extended life
- Improved performance and lower weight
- Less refrigerant, lower cost
- Ease of access for maintenance and servicing
- Suitable for all climatic conditions
- Simplified for easy operation
- Adaptable to bus requirements

Husky 353 V38 / V44

MCC Roof Mount Units



Technical Data

	Husky 353 V38	Husky 353 V44
Cooling capacity @ max ^[1]	150000 Btu/hr (44kW)	171000 Btu/hr (50kW)
Cooling capacity @ ARI ^[2]	130000 Btu/hr (38 kW)	151000 Btu/hr (44kW)
Heating @ 7 gpm (100F Δ T)	130000 Btu/hr (38 kW)	82000 Btu/hr (24kW)
Length	150" (3,800 mm)	150" (3,800 mm)
Width	74" (1,870 mm)	74" (1,870 mm)
Height	8.25" (210 mm)	8.25" (210 mm)
Weight	419 lbs (190 kg)	441 lbs (200kg)
Refrigerant	R134a	R134a
Airflow (Max)	3,885 CFM (6,600 m ³ /h) free-blow	5,179 CFM (8,800M ³ /h) free-blow
Current Draw (Max)	95 A at 28 V	115 A at 28 V

[1] Max conditions 95°F (35°C)/104°F (40°C)/50% RH
 [2] ARI: 95°F (35°C) / 80°F (27°C) / 50% RH

