



Eco 353 - 24 / 28 / 32

Inline roof mount HVAC unit

The Eco 353 inline roof mount bus unit has been enhanced to meet the demanding and varied needs of the Global market. The lightweight, high capacity heavy duty transit bus roof mount unit provides improved overall fuel consumption, enhanced reliability, reduced life cycle, service costs compared to its predecessors. When combined with MCC's industry leading 05G compressor, the Eco 353 also offers optimum

cooling capacity. There are four versions with capacities covering all climate zones and a wide variety of options to meet customer requirements and expectations. The system uses MCC's micro channel heat exchanger (MCHX) coil technology, which reduces weight while also delivering significant performance improvements through better heat transfer and thermal performance. Extended motor life is available through the use of brushless motors.

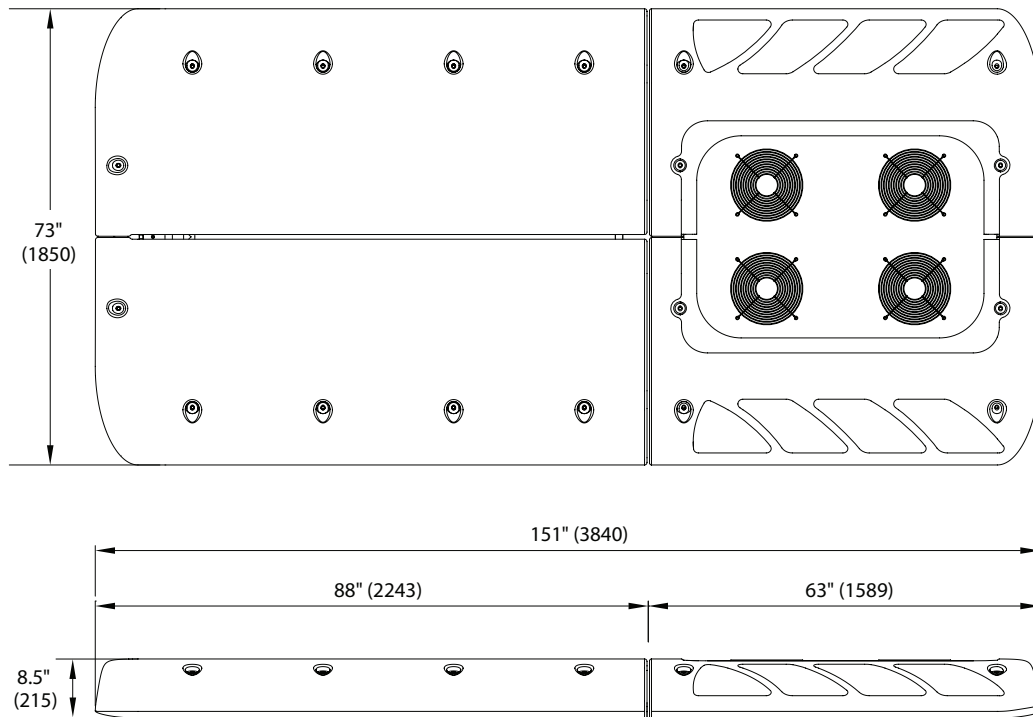


Features

- Long life brushless fan motors
- Reliable CAN enabled microprocessor-based controls
- Heavy duty heat exchanger coils
- Easy access to internal parts and components
- Zero ozone depleting, high efficiency HFC R134a
- Advanced coil and airflow technology
- Compact design minimizing installation area

Benefits

- Provides up 40,000 hours life cycle along with high efficiency to minimize electrical power
- Communicates with vehicle electronics for optimized control and operation
- Long life durable to meet environmental conditions
- Saves time for seasonal maintenance or other service
- Friendly to the environment
- Provides 15% efficiency benefit versus competitors saving energy and operating cost
- Space saved can allow installation on hybrid and CNG buses



Technical Data

	Eco 353 - 24	Eco 353 - 28	Eco 353 - 32
Cooling capacity @ max ^[1]	109000 Btu/hr (32 kW)	130000 Btu/hr (38 kW)	143000 Btu/hr (42 kW)
Cooling capacity @ ARI ^[2]	82000 Btu/hr (24 kW)	96000 Btu/hr (28 kW)	109000 Btu/hr (32 kW)
Heating @ 7 gpm (100F Δ T)	130000 Btu/hr (38 kW)	130000 Btu/hr (38 kW)	82000 Btu/hr (24 kW)
Length	151" (3840 mm)	151" (3840 mm)	151" (3840 mm)
Width Standard	73" (1850 mm)	73" (1850 mm)	73" (1850 mm)
Width Narrow	58" (1490 mm)	58" (1490 mm)	58" (1490 mm)
Height	8.5" (215 mm)	8.5" (215 mm)	8.5" (215 mm)
Weight	385 lbs (175 kg)	420 lbs (190 kg)	450 lbs (204 kg)
Refrigerant	R134a	R134a	R134a
Airflow (Max)	3900 CFM (6600 m ³ /hr)	3900 CFM (6600 m ³ /hr)	5200 CFM (8800 m ³ /hr)
Current Draw (Max)	95 A	95 A	128 A

[1] 35°C/40°C/50% RH Max conditions

[2] 35°C/27°C/46% RH ARI conditions

