



Mobile Climate Control

T-364PL Manual



SERVICE PARTS
for
MCC MODEL Y50-13606-XX
Gen IV

T-364PL

REV. 01/2015



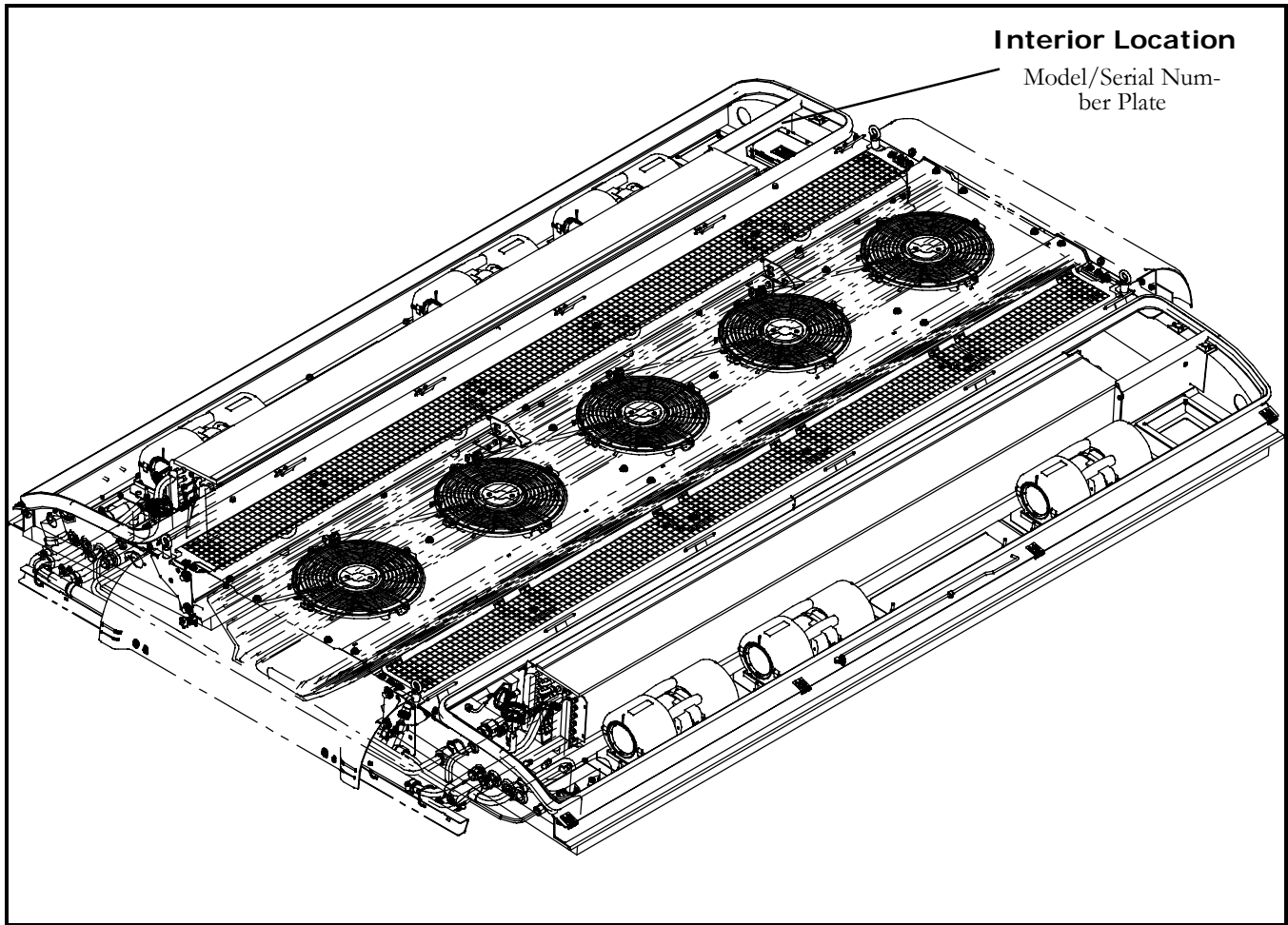
TABLE OF CONTENTS

<u>PARAGRAPH NUMBER</u>	<u>Page</u>
PART NUMBER INDEX	Index-1
INTRODUCTION	ii
MODEL/SERIAL NUMBER PLATE LOCATION	ii
MODEL CHART	ii
ORDERING INSTRUCTIONS	iii
GENERAL NOTES	iii
1 COVER KIT, FOR MODEL Y50-13606-00	1
2 EVAPORATOR HOUSING KIT - MODEL Y50-13606-00	2
2 EVAPORATOR HOUSING KIT - MODEL Y50-13606-00 - Continued:	3
3 EVAPORATOR BLOWER KIT - UNIT MODEL Y50-13606-00	4
4 EVAPORATOR COIL KIT - MODEL Y50-13606-00	5
5 EVAPORATOR CONNECTION KIT, (REFRIGERANT)	6
5.1 LIQUID LINE COMPONENTS- Y50-13606-00	6
5.1 EVAPORATOR CONNECTION KIT, LIQUID LINE COMPONENTS (Continued):	7
5.2 SUCTION AND DISCHARGE FEED THRU ASSEMBLIES- Y50-13606-00	8
5.3 SUCTION GAS RETURN LINE- Y50-13606-00	9
5.4 DISCHARGE GAS SUPPLY LINE- Y50-13606-00	10
5.5 HEATER LINE COMPONENTS- Y50-13606-00	11
5.6 AIR FILTER KIT- Y50-13606-00	12
6 CONDENSER COIL KIT - MODEL Y50-13606-00	13
7 CONDENSER FAN KIT - MODEL Y50-13606-00	14
8 ELECTRICAL KIT, 19-0795 INCLUDES:	15
8.1 ELECTRICAL KIT, ECC NODE ASSEMBLY, 35-1080	15
8.2 ELECTRICAL KIT, I/O BOARD ASSEMBLY, 35-0921	16
8.3 ELECTRICAL KIT, ECC DRIVERS DISPLAY, 35-1051	17
8.4 EVAPORATOR WIRING HARNESS ,MASTER, 25-3247	18
8.4 EVAPORATOR WIRING HARNESS ,MASTER, 25-3247, (CONTINUED):	19
8.5 EVAPORATOR WIRING HARNESS , SLAVE, 25-3475	20
8.5 EVAPORATOR WIRING HARNESS , SLAVE, 25-3475 (CONTINUED)	21
8.6 CONDENSER WIRING HARNESS , 25-3476	21
8.6 CONDENSER WIRING HARNESS , 25-3476 (CONTINUED)	22
8.7 ELECTRICAL COMPONENTS, SENSORS	23
8.7.1 ELECTRICAL COMPONENTS, DE-ICING SENSOR	23
8.7.2 ELECTRICAL COMPONENTS, AIR TEMPERATURE SENSOR	23
8.7.3 ELECTRICAL COMPONENTS, OUTSIDE AIR TEMPERATURE SENSOR	24
9 COMPRESSOR ASSEMBLY - Y61-FK401-01	25
9.1 COMPRESSOR ASSEMBLY - ELECTRICAL CONNECTORS - Y61-FK401-01	26

INTRODUCTION

The Mobile Climate Control Y50-13606 (Gen IV) series units are of lightweight frame construction, designed to be installed on the vehicle roof. This parts list identifies service replacement parts for units found in the Model Chart.

MODEL/SERIAL NUMBER PLATE LOCATION



MODEL CHART

Part (Model) Number	Refrigerant	Controller	Thermostat	Filter Material	Evaporator & Condenser Motors
Y50-13606-00	R-134a	MCC	Adjustable	Natural Hair	Brushless



ORDERING INSTRUCTIONS

All orders and inquiries for parts must include: Unit Serial Number, Part no., description of part as shown on list and quantity required. Parts can be ordered by going to the following website:

www.mcc-hvac.com

GENERAL NOTES

To find replacement parts, determine major group in which replacement part is located, consult table of contents for the appropriate page for the illustrated breakdown of the replacement part. The following letter designations are used to classify parts throughout this list.

A/R *As Required*

NSA *Non-Stock Assembly* - order components listed under the assembly.

NSS *Not Sold Separately* - order next higher assembly or kit.

NS *Not Shown*

P *Painted*

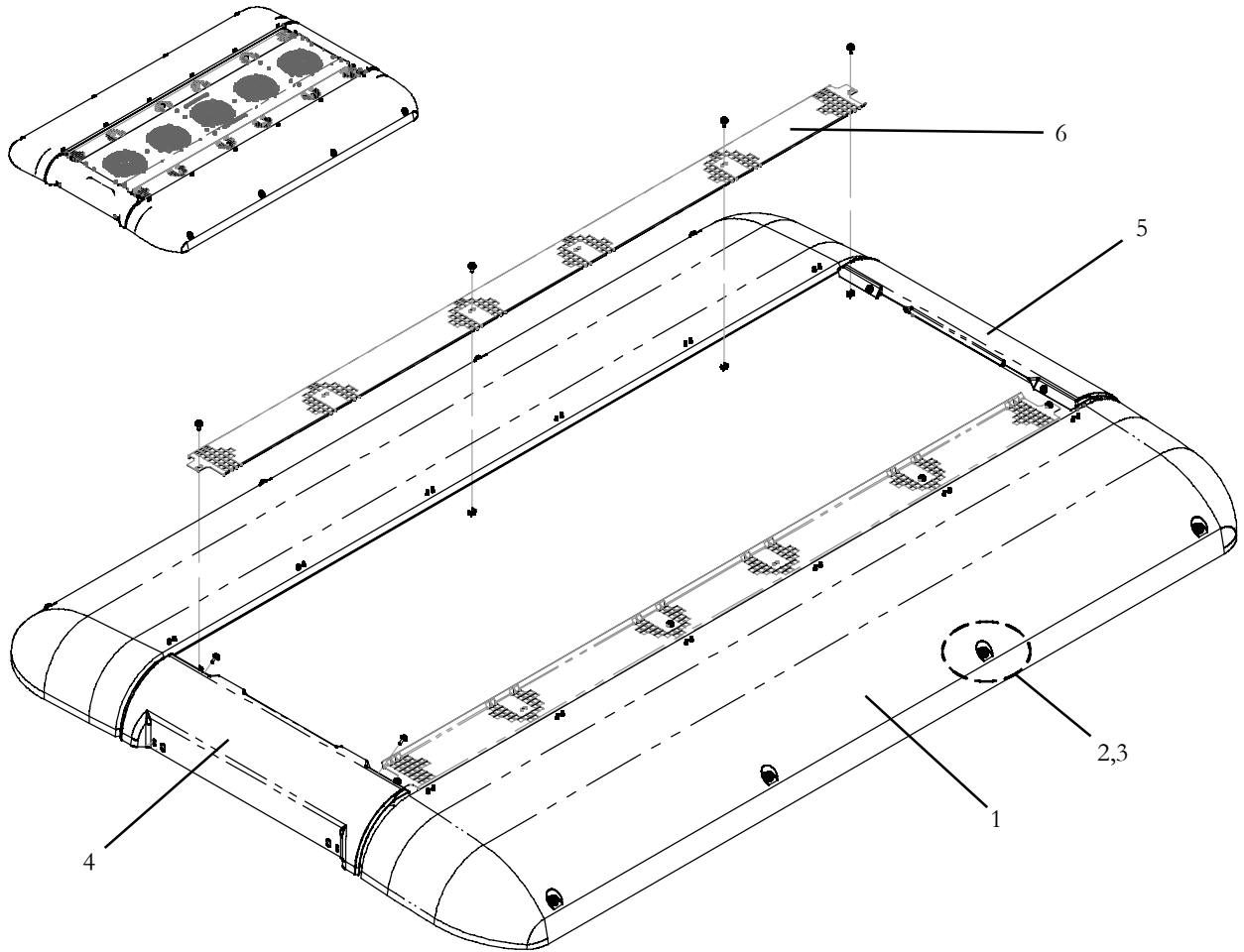
SST *Stainless Steel* - 300 Series unless otherwise specified.

SV Suffix SV added to part number designates service replacement part.

REF *Reference Only*



1 COVER KIT, FOR MODEL Y50-13606-00

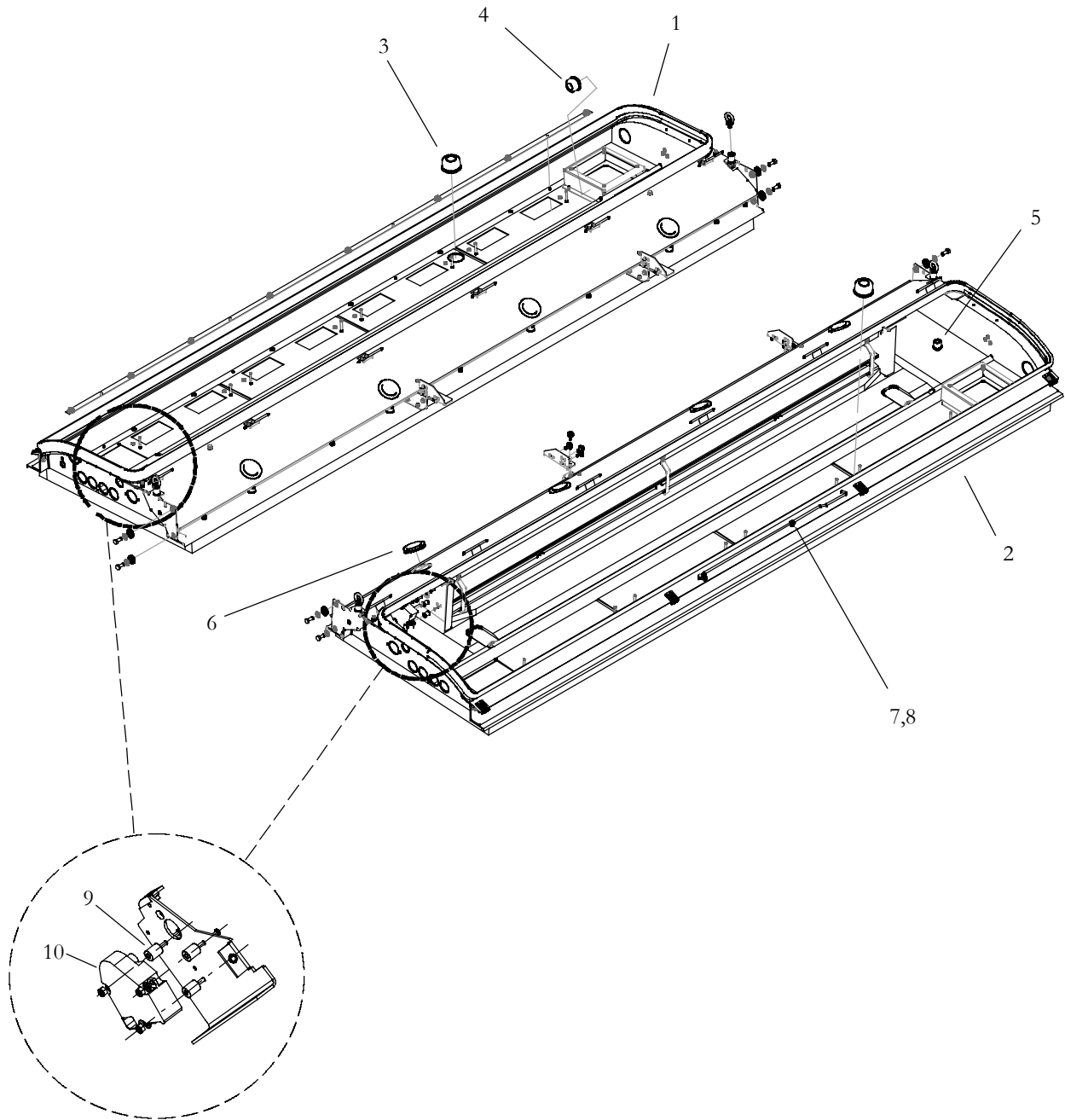


REF. KIT Y19-13607-01

Item	Part Number	Description	Qty
1	79-62148-04	Cover, Evaporator (Curb and Road Side) Each Includes:	2
2	34-67009-00	Stud, Captive, ¼ Turn Camloc	4
3	34-67025-00	Washer, Special Retaining	4
4	58-62236-01	Cover, End Spoiler	1
5	58-62236-07	Cover, End Spoiler, w/Sight Glasses	1
6	68-63898-00	Air Intake Grill, Condenser	2



2 EVAPORATOR HOUSING KIT - MODEL Y50-13606-00



Detail A

REF. KIT: Y19-13606-02

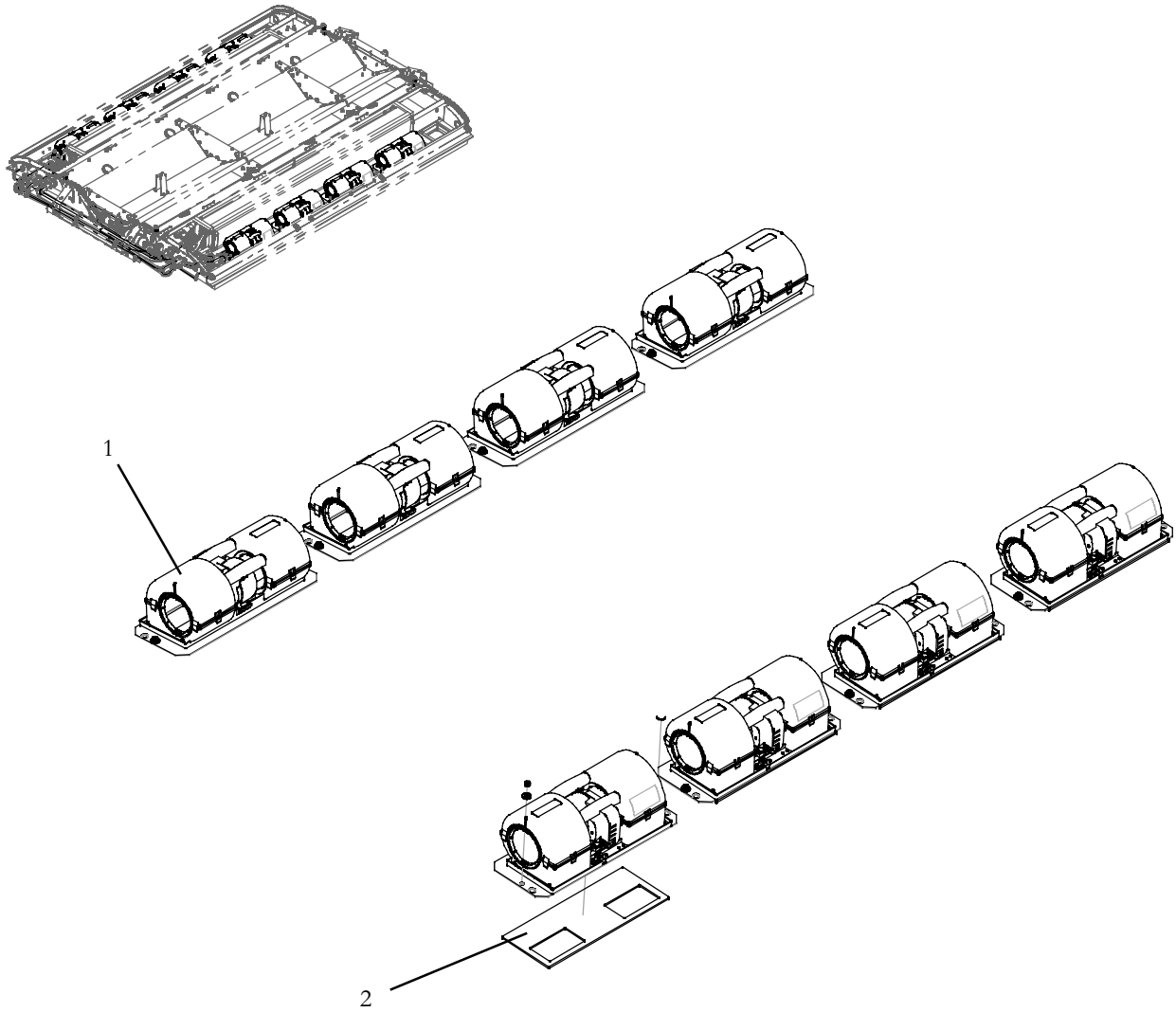
Item	Part Number	Description	Qty
1	42-62167-02	Seal, Base To Cover	2
2	42-62166-01	Gasket, Evaporator Base to Bus Body	2
3	58-60298-05	Grommet, 1.89"ID x 1.38" thru x 0.16"G	2
4	58-60298-04	Grommet, Cable Seal, 1.50"ID x 1.02" thru x 0.16"G	1



2 EVAPORATOR HOUSING KIT - MODEL Y50-13606-00 - Continued:			
Item	Part Number	Description	Qty
5	58-60298-01	Grommet, 0.75" ID x 0.39" thru x 0.16" G	1
6	58-60302-08	Grommet, DG48	8
7	73-62011-00	Prop Rod, Evaporator Cover	2
8	58-62126-00	Rod Clip	2
9	Y39-00005-00	Nylon Spacer, #8 x 0.63 LG	3
10	25-2660	Motor, Fresh Air Actuator	1



3 EVAPORATOR BLOWER KIT - UNIT MODEL Y50-13606-00

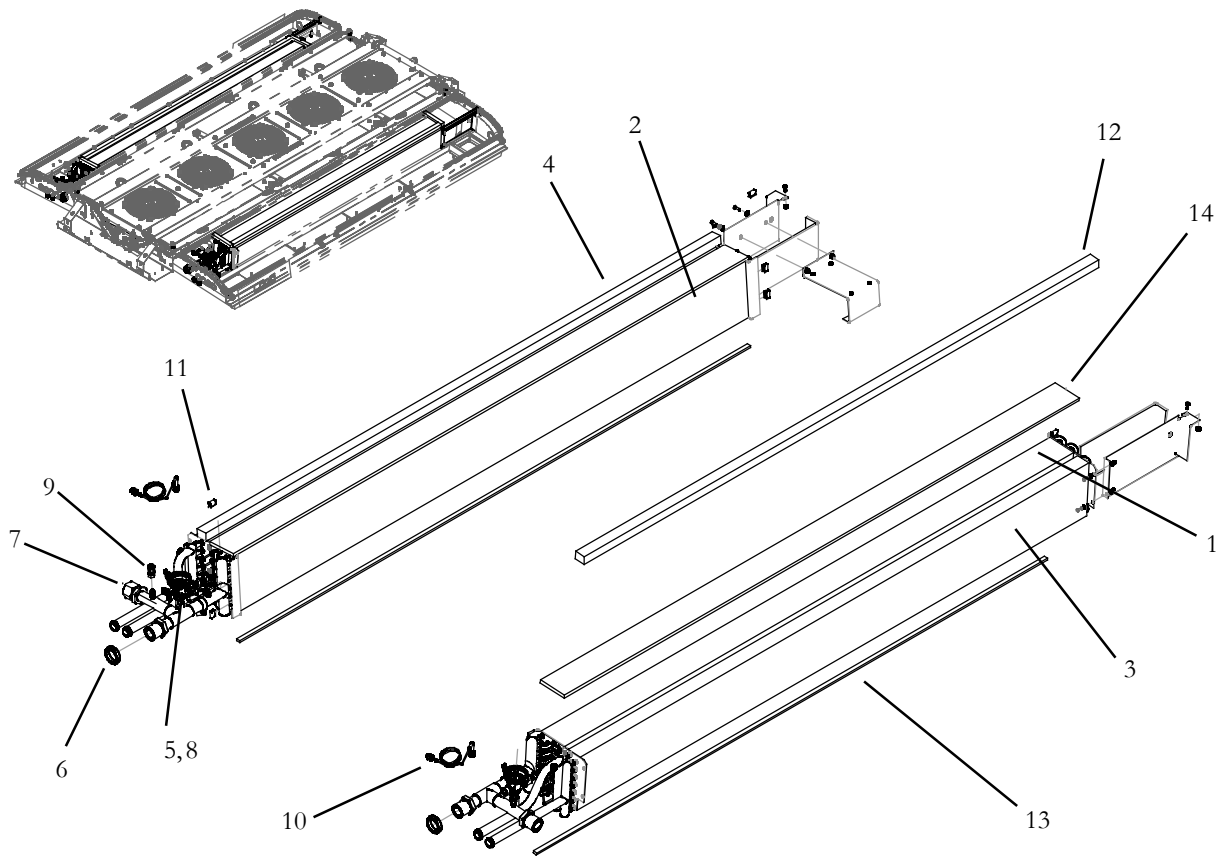


REF. KIT Y19-13609

Item	Part Number	Description	Qty
1	54-00627-02	Blower Assembly (Without Plate)	8
2	42-62161-00	Gasket, Double Radial Blower	8



4 EVAPORATOR COIL KIT - MODEL Y50-13606-00



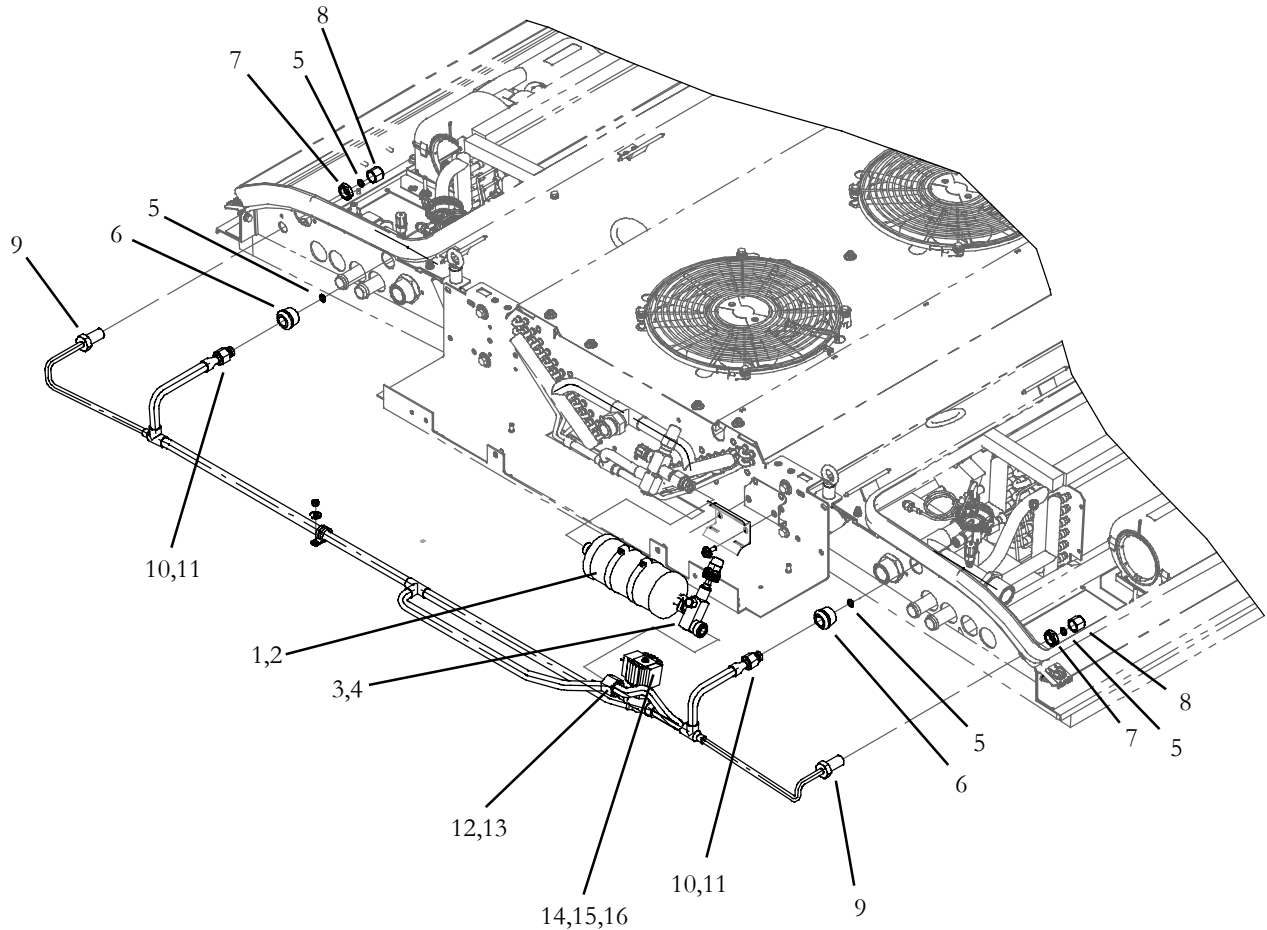
REF. KIT Y19-13611-01

Item	Part Number	Description	Qty
1	Y21-00009-00	Coil Assembly, Evaporator Left	1
2	Y21-00009-01	Coil Assembly, Evaporator Right	1
3	22-1238	Coil Assembly, Heater Left	1
4	22-1240	Coil Assembly, Heater Right	1
5	Y26-00033-00	Valve, Expansion, TGEN 4.5	2
6	34-06088-00	Nut, #16 ORS	2
7	42-00243-00	O-Ring, 0.921 ID x 0.139 THK	1
8	42-00243-04	O-Ring, 0.489 ID x 0.070 THK	2
9	Y27-00083-00	Fitting Assembly, Lowside Adaptor, 1/4" Flare x 7/16" SAE	2
10	56-62134-00	Tube Assembly, Equalizer	2
11	44-67003-00	Clamp, Clip On	13
12	42-00221-28	Gasket, 1" Polyurethane	2
13	AC801-401	Gasket, Foam 3/16" x 3/8" Hard	A/R
14	42-62041-12	Insulation, 0.38 THK	2



5 EVAPORATOR CONNECTION KIT, (REFRIGERANT)

5.1 LIQUID LINE COMPONENTS- Y50-13606-00



REF. KIT Y27-00086-00

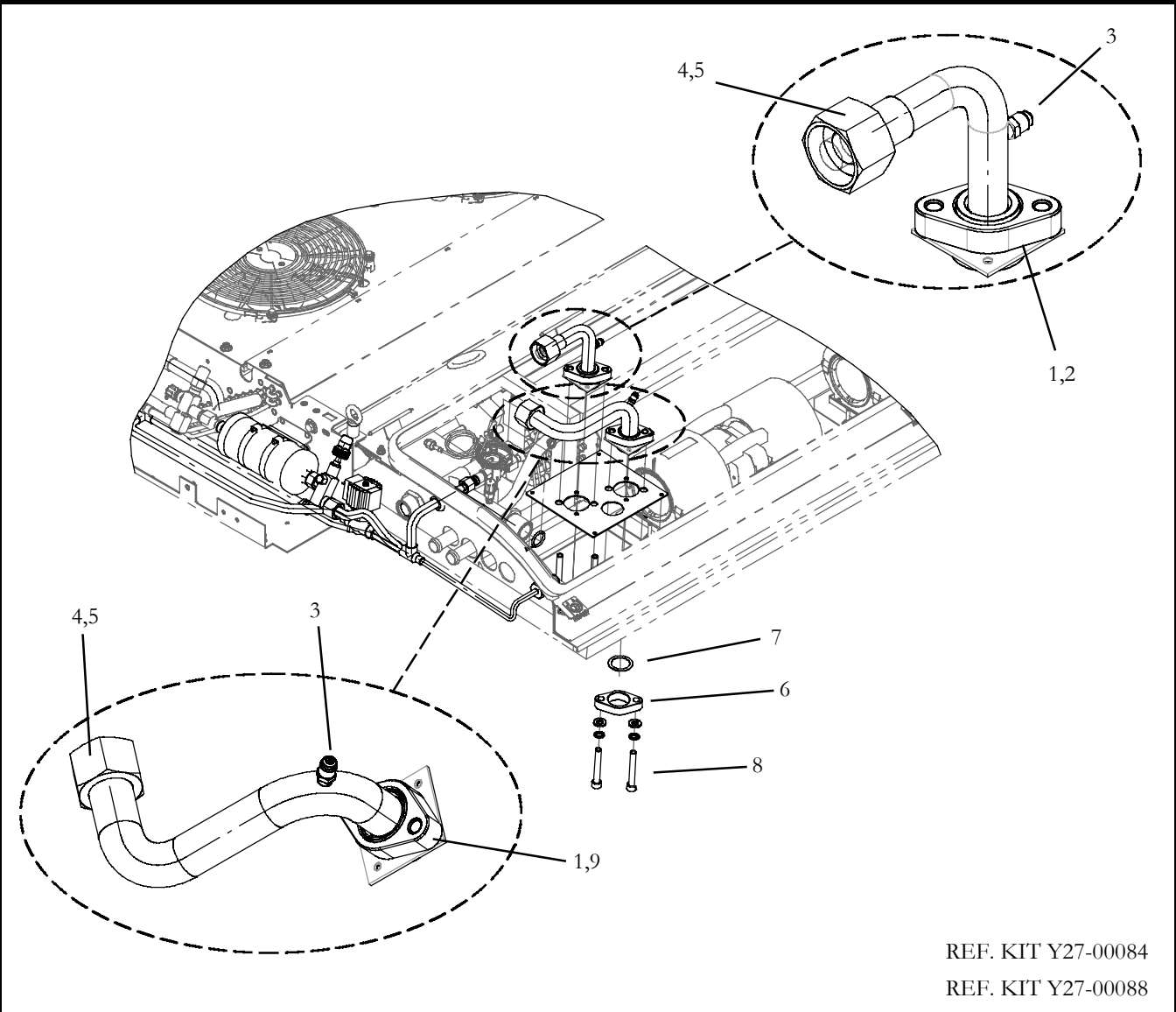
Item	Part Number	Description	Qty
1	14-00326-05	Filter Drier	1
2	42-00243-04	O-ring, 0.489" ID x 0.070" THK	2
3	14-00343-01	Valve, Service	1
4	42-00243-03	O-ring, 0.614" ID x 0.070" THK	1
5	42-00243-09	O-ring, 0.364" ID x 0.070" THK	4
6	58-60298-03	Grommet, 1.14" ID x 0.79" Thru ID x 0.16" G	2
7	34-06088-05	Nut, #6 ORS	2
8	40-00521-00	Cap Assembly, #6 ORS	2
9	40-00491-12	Fitting, ORS 11/16" - 16	2
10	40-00503-06	Collar, Brass, 3/8" OD Tube x ORS O-Ring Seal	2
11	40-60009-02	Hex Nut, ORS #6 x 3/8" OD Tube	2



5.1 EVAPORATOR CONNECTION KIT, LIQUID LINE COMPONENTS (Continued):			
12	40-00503-03	Collar, Brass, 3/8" OD Tube x #12 ORS O-Ring Seal	1
13	34-06121-03	Hex Nut, ORS 1"- 14 x 5/8" OD Tube	1
14	14-00236-00	Valve, Solenoid, Normally Closed 24VDC	1
15	14-00236-50	Coil, 24VDC	1
16	14-00236-51	Valve Repair Kit	1



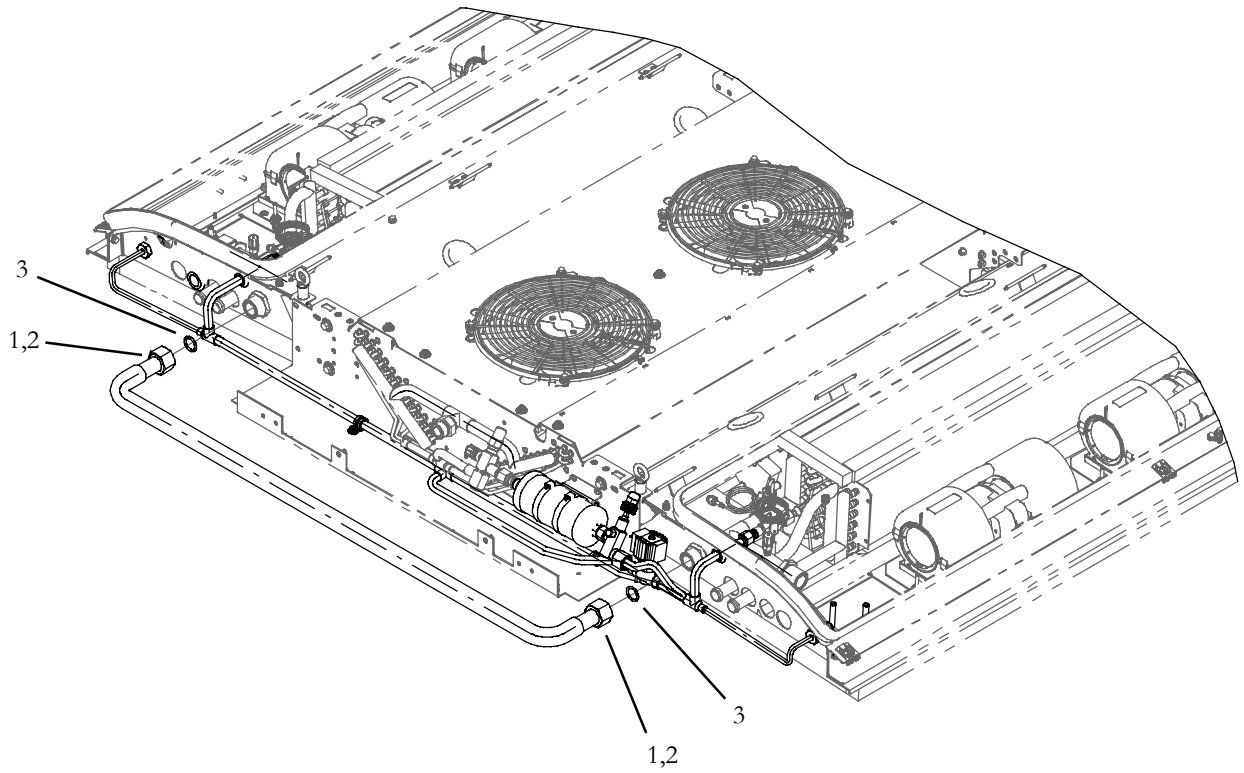
5.2 SUCTION AND DISCHARGE FEED THRU ASSEMBLIES- Y50-13606-00



Item	Part Number	Description	Qty
1	40-00590-00	Oval Flange	2
2	40-67007-01	Collar, Fitting, 7/8"	1
3	14-00351-00	Core, Valve, Schrader	2
4	40-00503-00	Collar, Brass, 7/8" Tube x ORS	2
5	34-06121-00	Nut, Hex, 1 7/16" - 12 - 7/8" Tube OD	2
6	40-00590-01	Oval Flange	1
7	42-62164-00	Gasket	2
8	34-06062-70	Cap Screw, M10 - 1.5	4
9	40-67007-00	Collar, Fitting, 1 1/8"	1



5.3 SUCTION GAS RETURN LINE- Y50-13606-00

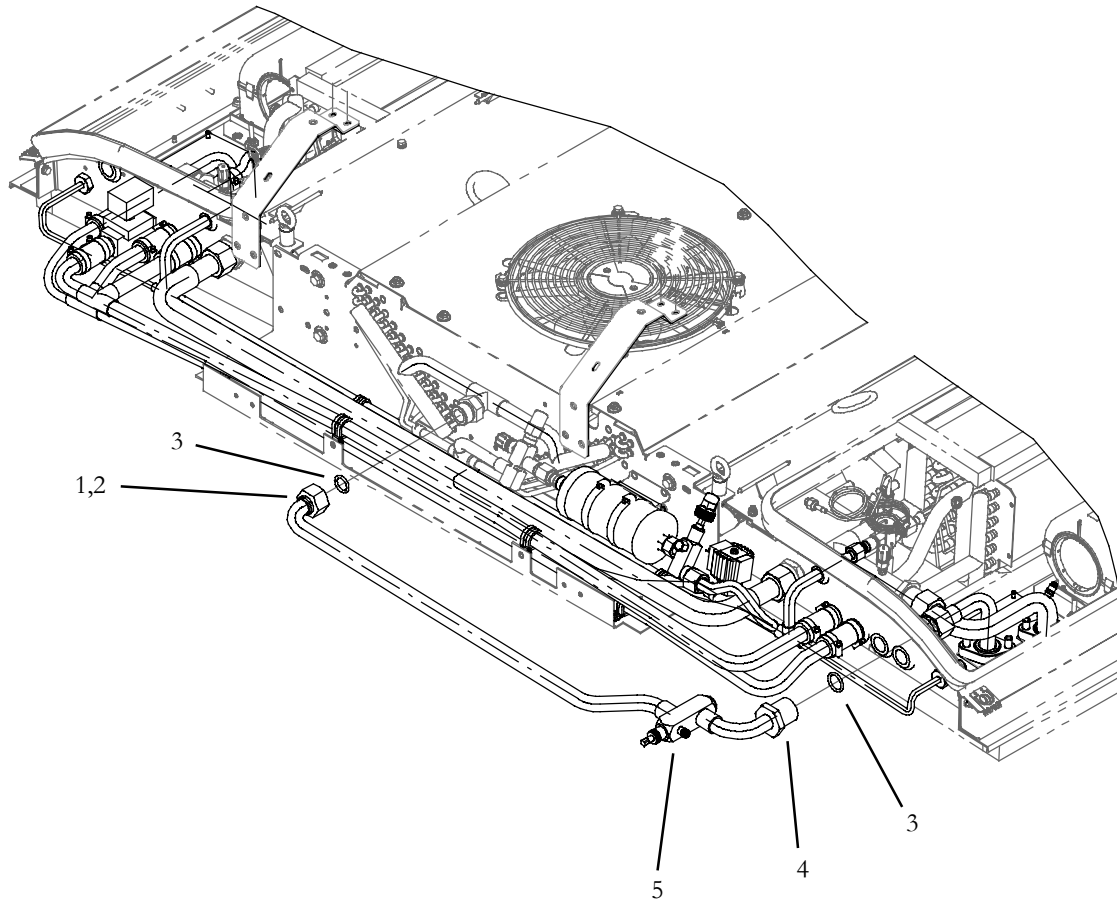


REF: KIT Y27-00089-00

Item	Part Number	Description	Qty
1	40-00503-00	Collar, Brass, 7/8" Tube x ORS	2
2	34-06121-00	Nut, Hex, 1 7/16" - 12 - 7/8" Tube OD	2
3	42-00243-00	O-Ring, 0.921 ID x 0.139 THK	2



5.4 DISCHARGE GAS SUPPLY LINE- Y50-13606-00

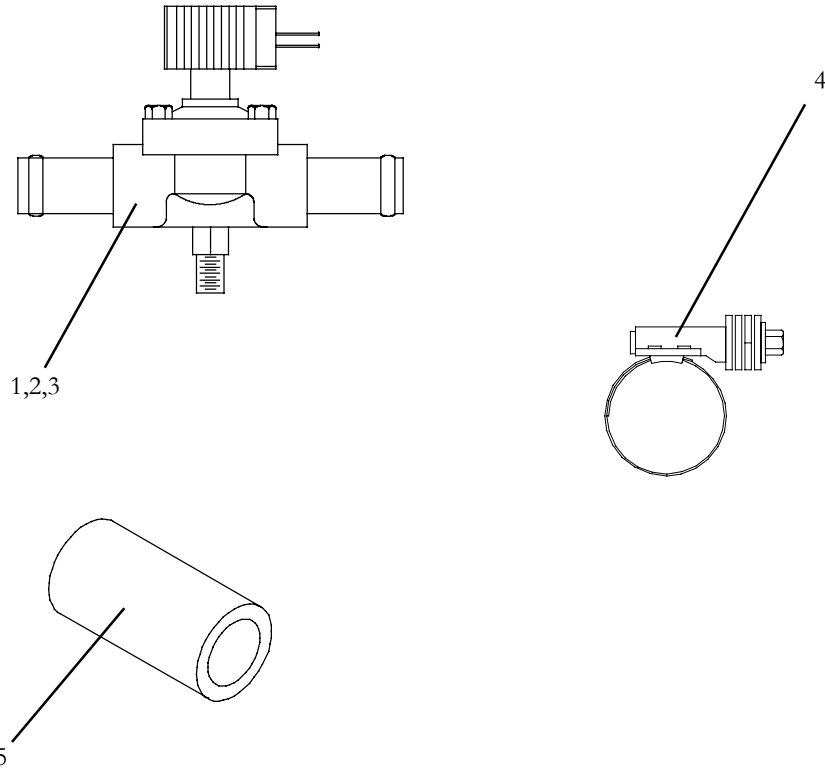


REF: KIT Y27-00085-00

Item	Part Number	Description	Qty
1	40-60008-07	Shoulder, ORS #14SP x 7/8 " OD Tube	1
2	34-06121-00	Nut, Hex, ORS #14 x 7/8 " OD Tube	1
3	42-00243-00	O-Ring, 0.921 ID x 0.139 THK	2
4	40-00491-00	Fitting, ORS Refrig. Connection, 1 7/16 " x 12 x 7/8 " ODF	1
5	40-00501-07	Valve, Service	1



5.5 HEATER LINE COMPONENTS- Y50-13606-00

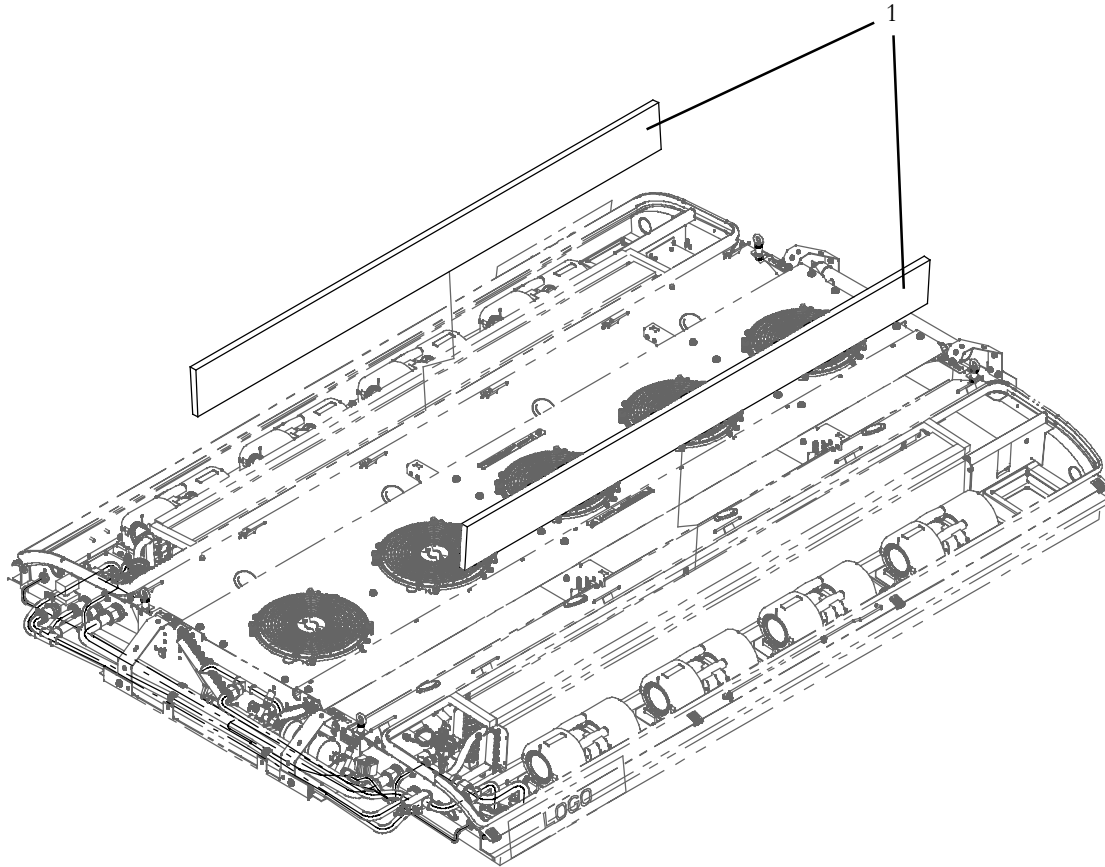


REF: KIT Y19-13608-01

Item	Part Number	Description	Qty
1	14-00194-04	Valve, Coolant, (Includes):	1
2	14-01110-02	Coil, Solenoid Valve, 24 VDC	1
3	14-50036-00	Repair Kit, Solenoid Valve	1
4	44-00318-00	Clamp, Constant Torque, 0.813" - 1.75"	14
5	Y37-00007-00	Hose, Coolant, 4 Ply Silicone	12 ft.



5.6 AIR FILTER KIT- Y50-13606-00

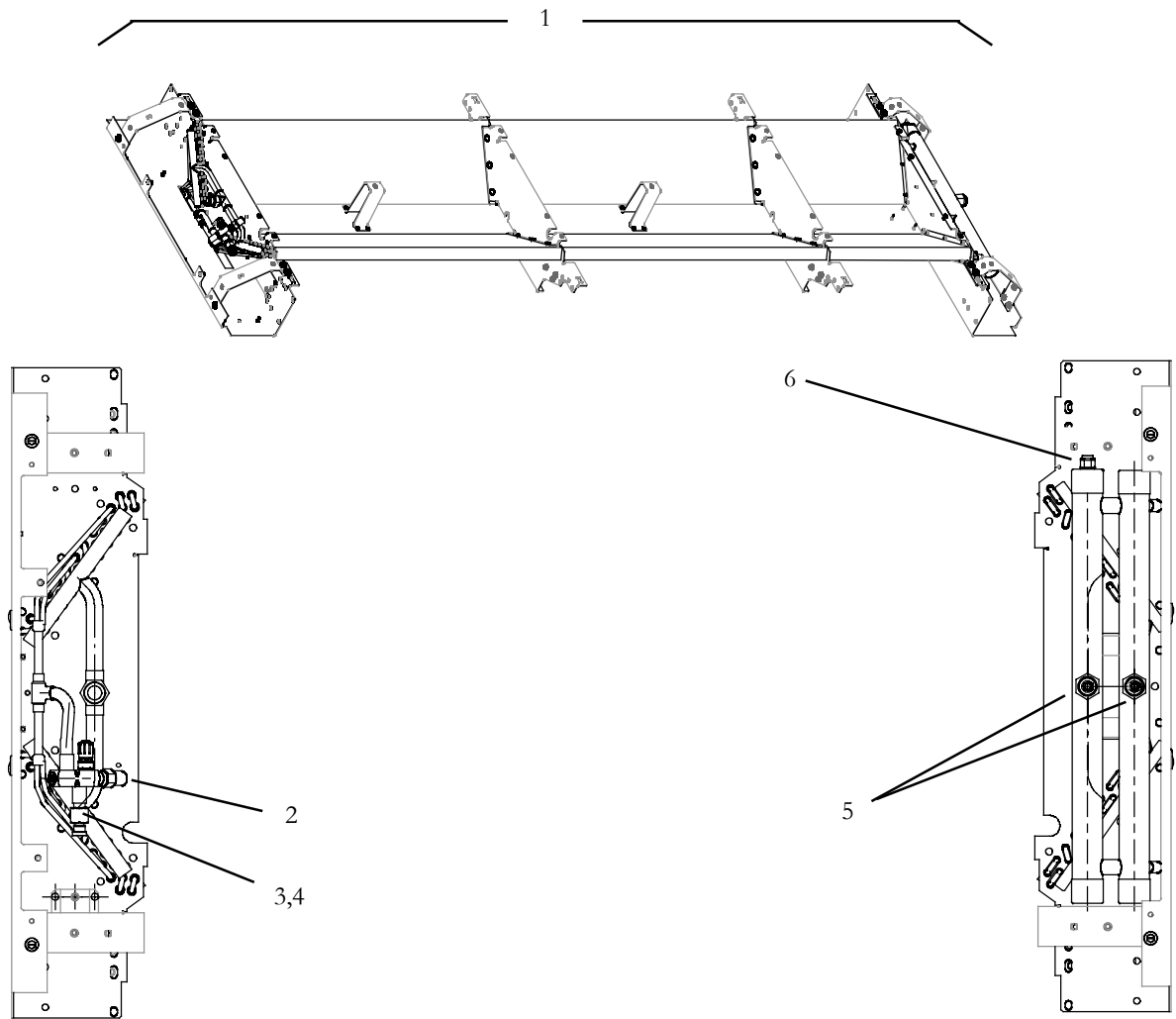


REF: KIT Y19-13614-00

Item	Part Number	Description	Qty
1	38-67005-03	Filter, AC136. IV, 74.02"(1880 MM) x 6.30" (160MM) x 0.79 (20MM) Thick	2



6 CONDENSER COIL KIT - MODEL Y50-13606-00

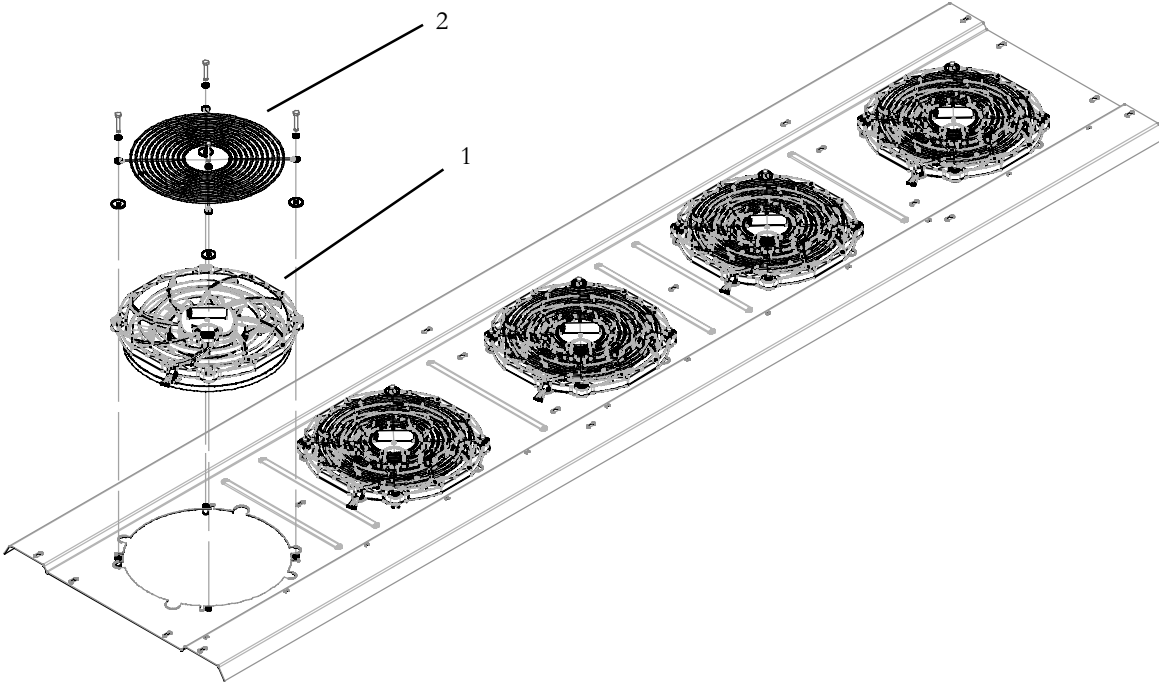


REF. KIT Y21-00010-00

Item	Part Number	Description	Qty
1	Y21-00010-00	Coil Assembly, Condenser (Includes):	1
2	40-00501-05	Valve, Service, Brass, 5/8" ODF x 5/8" ODF x Solder	1
3	40-60008-03	Shoulder, ORS #8 x 1/2" OD Tube	1
4	40-60009-03	Nut, Hex, ORS #8 x 1/2" OD Tube	1
5	AC101-203	Sight Glass	2
6	14-01032-11	Plug, Fusible	1



7 CONDENSER FAN KIT - MODEL Y50-13606-00

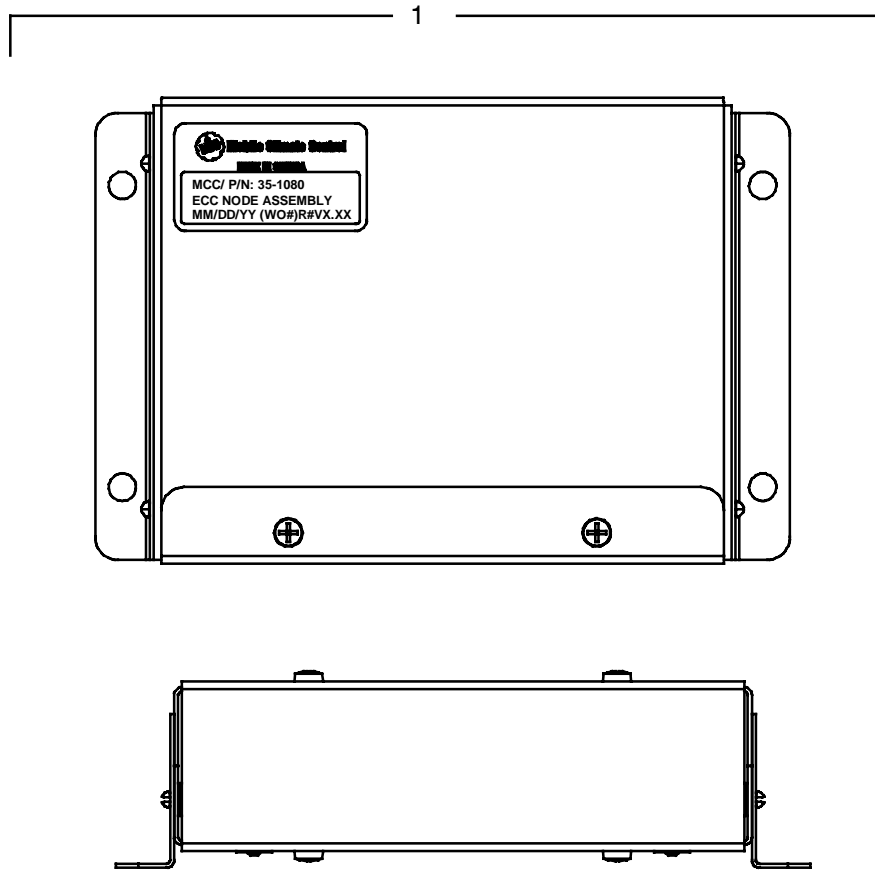


REF. KIT Y15-13601-02

Item	Part Number	Description	Qty
1	54-00634-00	Fan Motor Assembly	5
2	73-67002-00	Grille, Condenser Fan	5



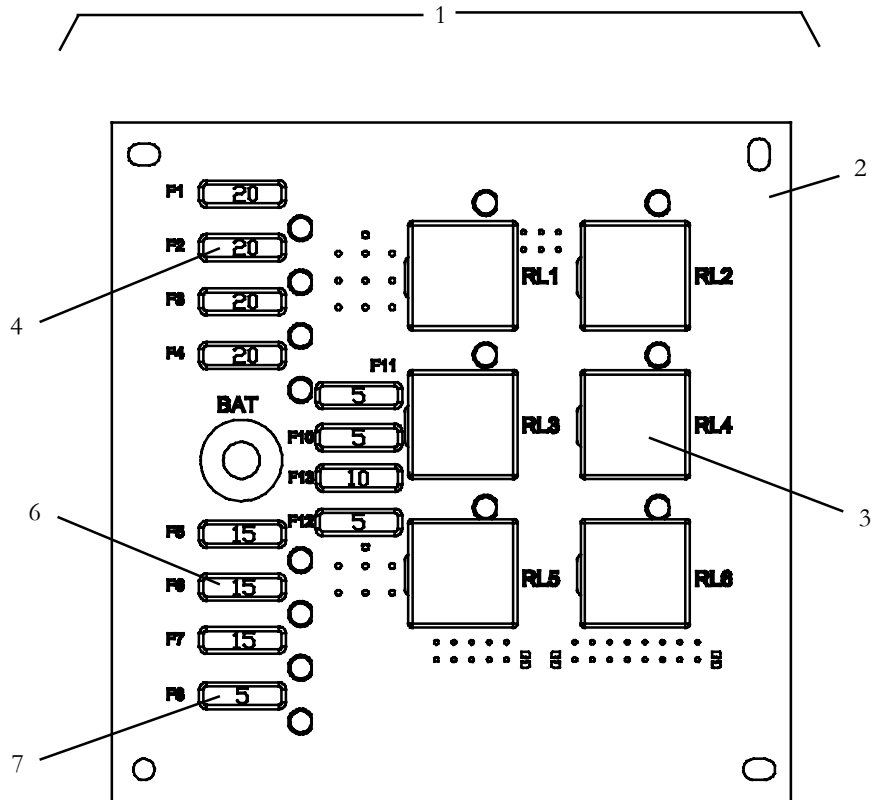
8 ELECTRICAL KIT, 19-0795 INCLUDES:
8.1 ELECTRICAL KIT, ECC NODE ASSEMBLY, 35-1080



Item	Part Number	Description	Qty
Item	Part Number	Description	Qty
1	35-1080	ECC Node Assembly	1



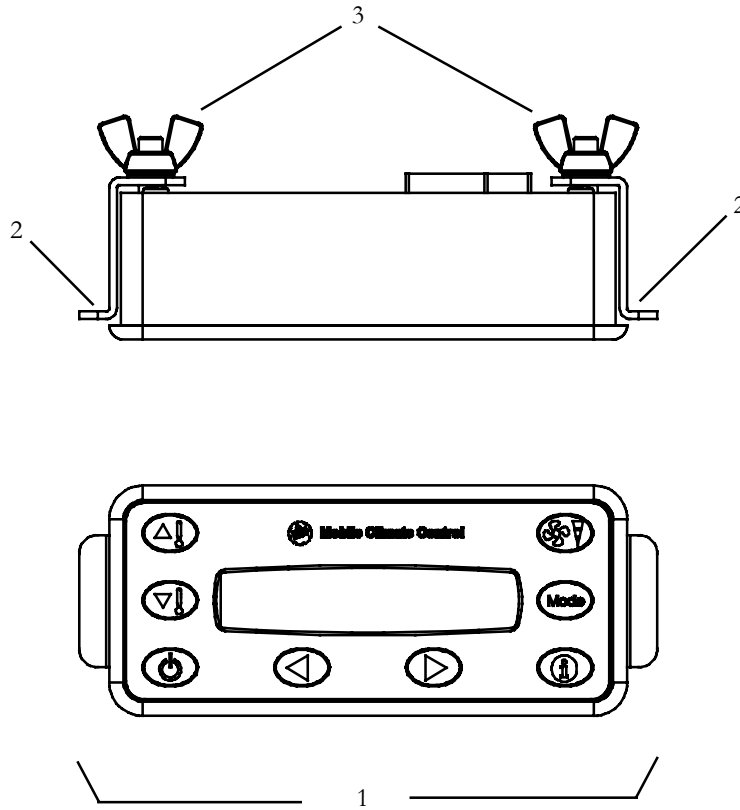
8.2 ELECTRICAL KIT, I/O BOARD ASSEMBLY, 35-0921



Item	Part Number	Description	Qty
1	35-0921	I/O Board Assembly, INCLUDES:	1
2	35-0920	I/O Board	1
3	25-1124	Relay, 24V	6
4	25-3160	Circuit Breaker, 20 Amp	4
5	25-3162	Circuit Breaker, 10 Amp	1
6	25-3161	Circuit Breaker, 15 Amp	3
7	25-3269	Circuit Breaker, 5 Amp	5
8	29-0580	Brass Stud	1
9	29-0371	Washer, Lock	3
10	29-0327	Nut, Hex (Torque 85 in. Lbs.)	3



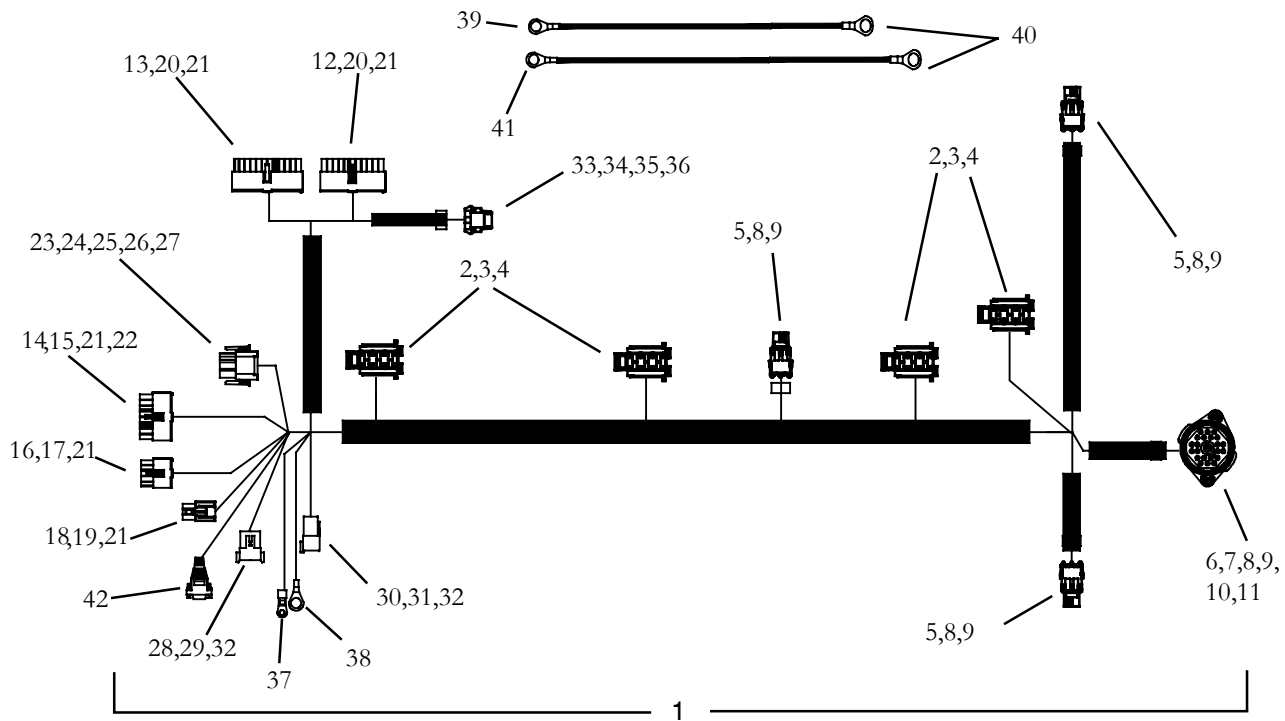
8.3 ELECTRICAL KIT, ECC DRIVERS DISPLAY, 35-1051



Item	Part Number	Description	Qty
1	35-1051	ECC Drivers Display Assembly, INCLUDES:	1
2	24-10006	Mounting Bracket	2
3	29-1042	1/4"- 20 Wing Nut	2



8.4 EVAPORATOR WIRING HARNESS ,MASTER, 25-3474



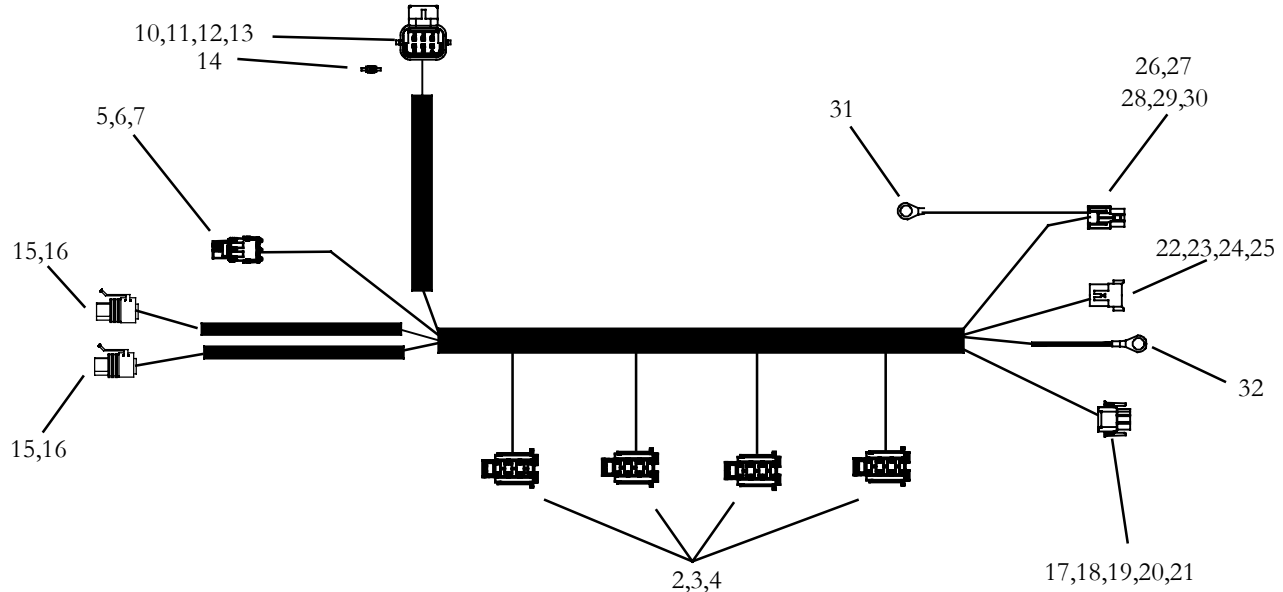
Item	Part Number	Description	Qty
1	25-3474	Evaporator Wiring Harness, Master, INCLUDES:	1
2	31-1663	Power Timer 6 Way Connector	4
3	31-1674	Female Terminal, 14 AWG	8
4	31-1673	Female Terminal, 14 AWG	8
5	31-1025	Weatherpac 2 Way, Female Connector	3
6	31-1287	Weatherpac 22 Way, Female Connector	1
7	31-1288	Weatherpac 22 Way, Secondary Lock	1
8	31-1267	Weatherpac, Female Terminal, 18 AWG	26
9	31-1131	Weatherpac,Seal, 18 AWG, (Green)	28
10	31-1166	Weatherpac, Female Terminal, 20 AWG	6
11	31-1264	Weatherpac,Seal, 20 AWG	6
12	31-1468	Connector, AMP 22 Way	1
13	31-1466	Connector, AMP 24 Way	1
14	31-1820	Connector, AMP 16 Way, (Includes):	1
15	31-1800	Seal, Interface, AMP 16 Way	1
16	31-1765	Connector, AMP 10 Way, (Includes):	1
17	31-1764	Seal, Interface, AMP 10 Way	1
18	31-1612	Connector, AMP 6 Way, (Includes):	1
19	31-1613	Seal, Interface, AMP 6 Way	1
20	31-1518	AMP, Female Terminal, 20 AWG	5



8.4 EVAPORATOR WIRING HARNESS ,MASTER, 25-3474 (CONTINUED):			
Item	Part Number	Description	Qty
21	31-1517	AMP, Female Terminal, 18 AWG	50
22	31-1556	AMP, Female Terminal, 16 AWG	4
23	31-1182	Connector, AMP 9 Way	1
24	31-1792	AMP, Terminal Seal, 9 Way	1
25	31-1791	AMP, Interface Seal, 9 Way	1
26	31-1248	AMP, Female Terminal, 14-20 AWG	4
27	31-1054	AMP, Cavity Plug	5
28	31-1115	Deutsch, 12 Way, Receptacle Connector	1
29	31-1118	Deutsch, 12 Way, Wedge	1
30	31-1157	Deutsch, 6 Way, Receptacle Connector	1
31	31-1158	Deutsch, 6 Way, Wedge	1
32	31-1371	Deutsch, Male Pin Contact, 18 AWG	15
33	31-1340	PED MP, 6 Way, Female Connector	1
34	31-1388	PED MP, 6 Way, Secondary Lock	1
35	31-1517	Terminal, Female, 18 AWG	3
36	31-1232	Cavity Plug	3
37	31-1187	Ring Terminal, 10-12 AWG, 3/8"	1
38	31-1780	Ring Terminal, 6 AWG, 1/2"	1
39	31-1407	Ring Terminal, 1 AWG, 5/16"	1
40	31-1561	Ring Terminal, 1 AWG, 3/8"	2
41	31-1825	Ring Terminal, 1AWG, 1/2"	1
42	28-0637	DSUB Cable Cover	1



8.5 EVAPORATOR WIRING HARNESS , SLAVE, 25-3475



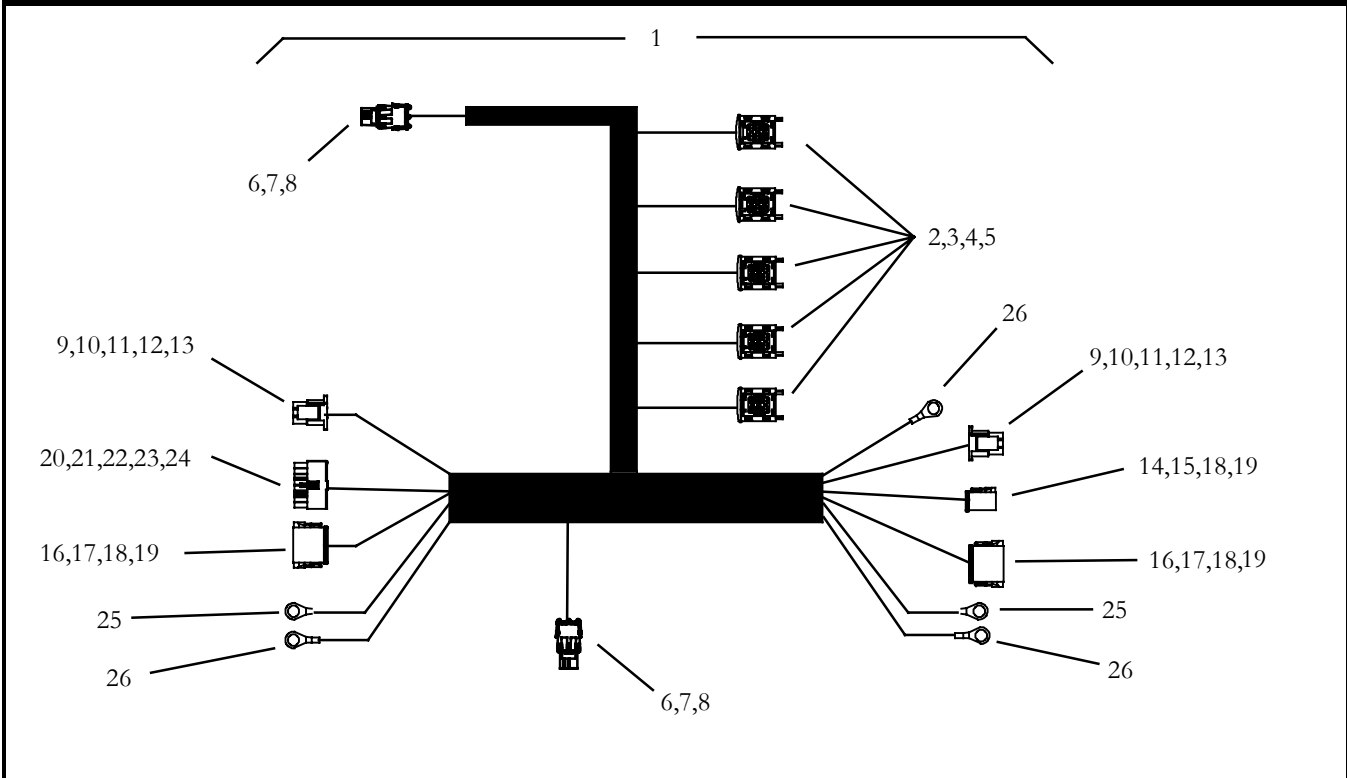
Item	Part Number	Description	Qty
1	25-3248	Evaporator Wiring Harness, Slave, INCLUDES:	1
2	31-1663	Power Timer 6 Way Connector	4
3	31-1674	Female Terminal, 14 GA	8
4	31-1673	Female Terminal, 18 GA	4
5	31-1025	Weatherpac 2 Way, Female Connector	1
6	31-1267	Weatherpac, Female Terminal, 18 GA	6
7	31-1131	Weatherpac,Seal, 18 GA, (Green)	6
8	31-1215	Weatherpac, Female Terminal, 10-12 GA	8
9	31-1264	Weatherpac,Seal, 10-12 GA, (Blue)	8
10	31-1340	MP Connector, 6 Way	1
11	31-1388	MP Connector, 6 Way, Secondary Lock	1
12	31-1088	MP Terminal, Female, 18 GA	3
13	31-1314	MP Seal, 18 GA	3
14	31-1232	MP Cavity Plug	3
15	31-1295	Connector, 3 Way Female, (Transducers)	2
16	31-1296	Terminal, Female,18 GA	6
17	31-1182	Connector, AMP 9 Way	1
18	31-1792	AMP, Terminal Seal, 9 Way	1
19	31-1791	AMP, Interface Seal, 9 Way	1
20	31-1248	AMP, Female Terminal, 14-18 GA	4
21	31-1054	AMP, Cavity Plug	5
22	31-1442	Deutsch, 12 Way, Receptacle Connector	1
23	31-1118	Deutsch, 12 Way, Wedge	1
24	31-1371	Deutsch, Male Pin Contact, 18 GA	9
25	31-1054	Cavity Plug	3
26	31-1612	Connector, AMP 6 Way	1
27	31-1517	AMP, Female Terminal, 18 GA	4



8.5 EVAPORATOR WIRING HARNESS , SLAVE, 25-3475 (CONTINUED)

Item	Part Number	Description	Qty
28	31-1613	AMP, Interface Seal	1
29	31-1573	AMP, Terminal Seal	4
30	31-1763	AMP, Cavity Plug	12
31	31-1402	Ring Terminal, 18 GA, 3/8"	1
32	31-1780	Ring Terminal,6 GA, 1/2"	1

8.6 CONDENSER WIRING HARNESS , 25-3476



Item	Part Number	Description	Qty
1	25-3249	Condenser Wiring Harness, INCLUDES:	1
2	31-1865	Junior Timer Connector, 6 Way	5
3	31-1866	Socket Terminal, 18-14 AWG	15
4	31-1859	Wire Seal, 18-14 AWG	15
5	31-1870	Cavity Plug	5
6	31-1025	Weatherpac 2 Way, Female Connector	2
7	31-1267	Weatherpac, Female Terminal, 18 AWG	9
8	31-1131	Weatherpac,Seal, 18 AWG, (Green)	9
9	31-1603	Connector, AMP 6 Way	2
10	31-1604	Terminal Seal, AMP 6 Way	2
11	31-1606	Interface Seal, AMP 6 Way	2
12	31-1054	Cavity Plug, AMP 6 Way	12
13	31-1480	Terminal, Female, AMP 14-20 AWG	5
14	31-1159	Deutsch, 6 Way, Receptacle Connector	1
15	31-1160	Deutsch, 6 Way, Wedge	1
16	31-1116	Deutsch, 12 Way, Receptacle Connector	2

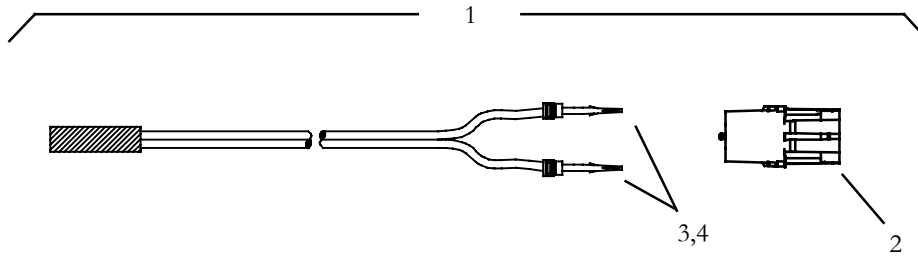


8.6 CONDENSER WIRING HARNESS , 25-3476 (CONTINUED)			
Item	Part Number	Description	Qty
17	31-1117	Deutsch, 12 Way, Wedge	2
18	31-1372	Deutsch, Female Socket Contact, 18 GA	25
19	31-1054	Deutsch,Cavity Plug	5
20	31-1820	Connector, AMP, 16 Way	1
21	31-1800	Interface Seal	1
22	31-1517	Terminal, Female, AMP 20-18 GA	5
23	31-1573	Terminal Seal	5
24	31-1763	Cavity Plug	11
25	31-1273	Ring Terminal, 4 GA, 5/16"	2
26	31-1283	Ring Terminal, 4 GA, 1/2"	3



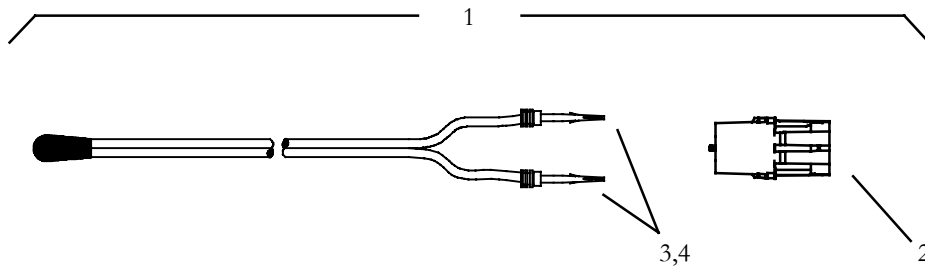
8.7 ELECTRICAL COMPONENTS, SENSORS

8.7.1 ELECTRICAL COMPONENTS, DE-ICING SENSOR



Item	Part Number	Description	Qty
1	25-3281	De-Icing Sensor Assembly (Includes):	1
2	31-1068	Weatherpac Connector, Male, 2 Way	1
3	31-1266	Weatherpac Terminal, Male, 18 GA	2
4	31-1131	Weatherpac Seal, 18 GA, (Green)	2

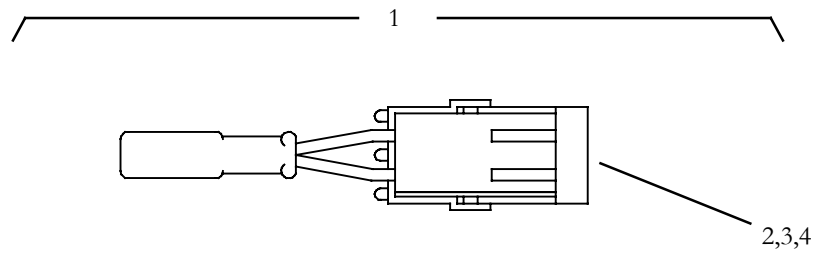
8.7.2 ELECTRICAL COMPONENTS, AIR TEMPERATURE SENSOR



Item	Part Number	Description	Qty
1	25-3280	Air Temperature Sensor Assembly (Each Includes):	2
2	31-1068	Weatherpac Connector, Male, 2 Way	1
3	31-1266	Weatherpac Terminal, Male, 18 GA	2
4	31-1131	Weatherpac Seal, 18 GA, (Green)	2



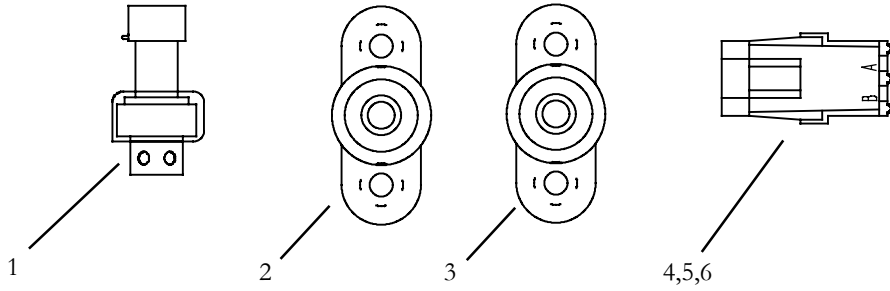
8.7.3 ELECTRICAL COMPONENTS, OUTSIDE AIR TEMPERATURE SENSOR



Item	Part Number	Description	Qty
1	25-0545	Outside Air Temperature Sensor Assembly	1
2	31-1068	Weatherpac Connector, Male, 2 Way	1
3	31-1039	Weatherpac Terminal, Male, 14 GA	2
4	31-1024	Weatherpac Seal, 14 GA, (Green)	2



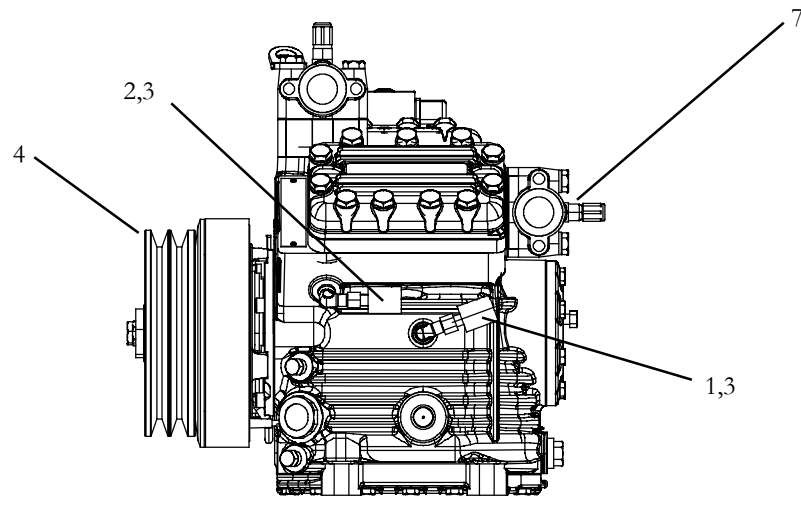
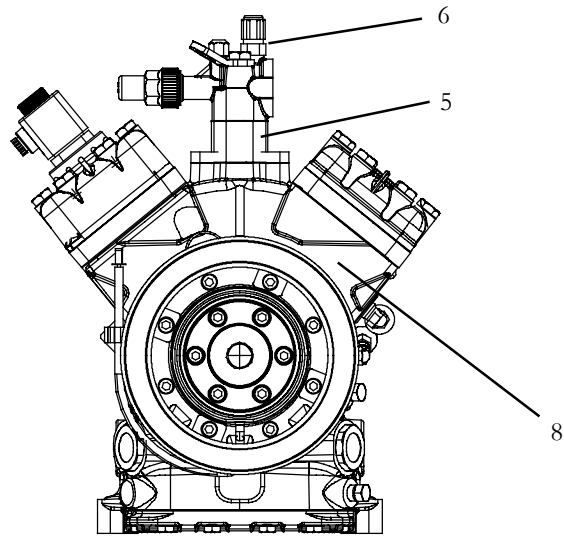
8.8 Electrical Components- Miscellaneous



Item	Part Number	Description	Qty
1	12-00352-00	Transducer, Pressure	2
2	22-62180-00	Junction Block, 3/8"-16, Double End Stud, BLACK	1
3	22-62180-01	Junction Block, 3/8"-16, Double End Stud, RED	1
4	22-02392-00	Connector, Weatherpac Shroud	1
5	22-02393-01	Terminal, Male 18-20 AWG	2
6	22-02394-01	Seal, Wire, Blue 3.45-4.30 mm Cable Dia.	2



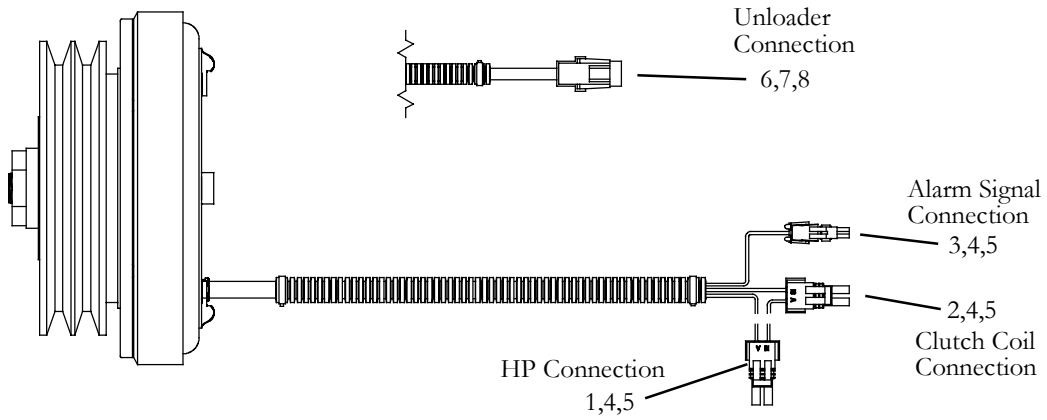
9 COMPRESSOR ASSEMBLY - Y61-FK401-01



Item	Part Number	Description	Qty
1	12-00299-01	Pressure Switch, Low	1
2	12-00299-22	Pressure Switch, High	1
3	40-60155-00	Fitting, 90 Degree, 1/8" - 27 NPTF	2
4	Y60-00033-00	Clutch Assembly, 2 - 5V Groove, 24 VDC	1
5	Y60-00034-01	Spacer Kit, Service Valve FK40	1
6	Y27-00083-01	Fitting Assembly, High Side Adaptor, 1/4" Flare x 7/16" SAE	1
7	Y27-00083-00	Fitting Assembly, Low Side Adaptor, 1/4" Flare x 7/16" SAE	1
8	Y61-FK401-98	Compressor Assembly (Bare), FK40/655 Bock	1



9.1 COMPRESSOR ASSEMBLY - ELECTRICAL CONNECTORS - Y61-FK401-01



Item	Part Number	Description	Qty
1	22-01585-00	Connector, 2 Pin WP, Tower	1
2	22-01585-02	Connector, 2 Pin WP, Tower	1
3	22-50078-63	Connector, 1 Pin WP, Tower	1
4	22-01566-01	Terminal, Female	5
5	22-02394-02	Seal, Cable	5
6	22-02392-01	Connector, 2 Pin WP, Shroud	1
7	22-02393-00	Terminal, Male	2
8	22-02394-00	Seal, Cable	2



PART NUMBER INDEX

1

12-00299-01	26
12-00299-22	26
12-00352-00	25
14-00194-04	11
14-00236-00	7
14-00236-50	7
14-00236-51	7
14-00326-05	6
14-00343-01	6
14-00351-00	8
14-01032-11	13
14-01110-02	11
14-50036-00	11

2

22-01566-01	27
22-01585-00	27
22-01585-02	27
22-02392-01	27
22-02393-00	27
22-02394-00	27
22-02394-02	27
22-1238	5
22-1240	5
22-50078-63	27
22-62180-00	25
22-62180-01	25
24-10006	17
25-0545	24
25-1124	16
25-2660	3
25-3160	16
25-3161	16
25-3162	16
25-3248	20
25-3249	21
25-3269	16

25-3280	23
25-3281	23
25-3474	18
28-0637	19
29-0327	16
29-0371	16
29-0580	16
29-1042	17

3

31-1024	24
31-1025	18, 20, 21
31-1039	24
31-1054	19, 20, 21, 22
31-1068	23, 24
31-1088	20
31-1115	19
31-1116	21
31-1117	22
31-1118	19, 20
31-1131	18, 20, 21, 23
31-1157	19
31-1158	19
31-1159	21
31-1160	21
31-1166	18
31-1182	19, 20
31-1187	19
31-1215	20
31-1232	19, 20
31-1248	19, 20
31-1264	18, 20
31-1266	23
31-1267	18, 20, 21
31-1273	22
31-1283	22
31-1287	18
31-1288	18

31-1295	20
31-1296	20
31-1314	20
31-1340	19, 20
31-1371	19, 20
31-1372	22
31-1388	19, 20
31-1402	21
31-1407	19
31-1442	20
31-1466	18
31-1468	18
31-1480	21
31-1517	19, 20, 22
31-1518	18
31-1556	19
31-1561	19
31-1573	21, 22
31-1603	21
31-1604	21
31-1606	21
31-1612	18, 20
31-1613	18, 21
31-1663	18, 20
31-1673	18, 20
31-1674	18, 20
31-1763	21, 22
31-1764	18
31-1765	18
31-1780	19, 21
31-1791	19, 20
31-1792	19, 20
31-1800	18, 22
31-1820	18, 22
31-1825	19
31-1859	21
31-1865	21
31-1866	21
31-1870	21
34-06062-70	8



PART NUMBER INDEX

34-06088-00	5	40-60155-00	26	6	
34-06088-05	6	40-67007-00	8		
34-06121-00	8, 9, 10	40-67007-01	8	68-63898-00	1
34-06121-03	7	42-00221-28	5		
34-67009-00	1	42-00243-00	5, 9, 10	7	
34-67025-00	1	42-00243-03	6		
35-0920	16	42-00243-04	5, 6	73-62011-00	3
35-0921	16	42-62041-12	5	73-67002-00	14
35-1051	17	42-62161-00	4	79-62148-04	1
35-1080	15	42-62164-00	8		
38-67005-03	12	42-62166-01	2	A	
		42-62167-02	2		
		44-00318-00	11	AC101-203	13
4		44-67003-00	5	AC801-401	5
40-00491-00	10			Y	
40-00491-12	6	5			
40-00501-05	13			Y21-00009-00	5
40-00501-07	10	54-00627-02	4	Y21-00009-01	5
40-00503-00	8, 9	54-00634-00	14	Y21-00010-00	13
40-00503-03	7	56-62134-00	5	Y26-00033-00	5
40-00503-06	6	58-60298-01	3	Y27-00083-00	5, 26
40-00521-00	6	58-60298-03	6	Y27-00083-01	26
40-00590-00	8	58-60298-04	2	Y37-00007-00	11
40-00590-01	8	58-60298-05	2	Y39-00005-00	3
40-60008-03	13	58-60302-08	3	Y60-00033-00	26
40-60008-07	10	58-62126-00	3	Y60-00034-01	26
40-60009-02	6	58-62236-01	1	Y61-FK401-98	26
40-60009-03	13	58-62236-07	1		

Every driver deserves the best possible vehicle climate with MCC products

MCC provides exceptional performance in mobile climate comfort.



www.mcc-hvac.com

Member of MCC Group • Certified ISO 9001 and ISO 14001.
Specifications subject to change without notice. MCC is a registered trademark.