



SERVICE PARTS LIST
for
68RM35-610-XX and Y13-R3501-XX
MICROMAX / MCHX UNITS

T-356PL

REV. 1/2015



TABLE OF CONTENTS

TABLE OF CONTENTS **i**

INTRODUCTION i

MODEL/SERIAL NUMBER PLATE LOCATION i

MODEL CHART ii

ORDERING INSTRUCTIONS ii

GENERAL NOTES ii

1 UNIT ASSEMBLY - LOCATIONAL VIEW 1

2 ELECTRICAL COMPONENTS 2

 2.1 Electrical Components - 68RM35-610-1, -2 2

 2.1 Electrical Components - 68RM35-610-1, -2 3

 2.1 Electrical Components - 68RM35-610-1, -2 (Continued) 4

 2.2 Electrical Components - 68RM35-610-3, -4, -5 5

 2.2 Electrical Components - 68RM35-610-3, -4, -5 6

 2.2 Electrical Components - 68RM35-610-3, -4, -5 (Continued) 7

 2.3 Electrical Components - 68RM35-610-6, -7, -8, -9 8

 2.3 Electrical Components - 68RM35-610-6, -7, -8, -9 (Continued) 9

 2.3 Electrical Components - 68RM35-610-6, -7, -8, -9 (Continued) 10

 2.4 Electrical Components - 68RM35-610-10 11

 2.4 Electrical Components - 68RM35-610-10 (Continued) 12

 2.5 Electrical Components - Y13-R3501-00, -01 & -02 13

 2.5 Electrical Components - Y13-R3501-00, -01 & -02 (Continued) 14

3 ELECTRICAL CONTROL PANELS 15

 3.1 Electrical Control Panel - Model 68RM35-610-1, -2 15

 3.1 Electrical Control Panel - Model 68RM35-610-1, -2 (Continued) 16

 3.1 Electrical Control Panel - Model 68RM35-610-1, -2 (Continued) 17

 3.2 Electrical Control Panel - Model 68RM35-610-3, -4, -5 18

 3.2 Electrical Control Panel - Model 68RM35-610-3, -4, -5 (Continued) 19

 3.2 Electrical Control Panel - Model 68RM35-610-3, -4, -5 (Continued) 20

 3.3 Electrical Control Panel - Model 68RM35-610-6, -7, -8, -9 21

 3.3 Electrical Control Panel - Model 68RM35-610-6, -7, -8, -9 (Continued) 22

 3.3 Electrical Control Panel - Model 68RM35-610-6, -7, -8, -9 (Continued) 23

 3.4 Electrical Control Panel - Model 68RM35-610-10 24

 3.4 Electrical Control Panel - Model 68RM35-610-10 25

 3.5 Electrical Control Panel - Model Y13-R3501-00, -01 & -02 26

 3.5.1 Electrical Interface Connectors 68RM35-610-10 & Y13-R3501-00, -01 & -02 28

4 COIL KIT: ALL 30

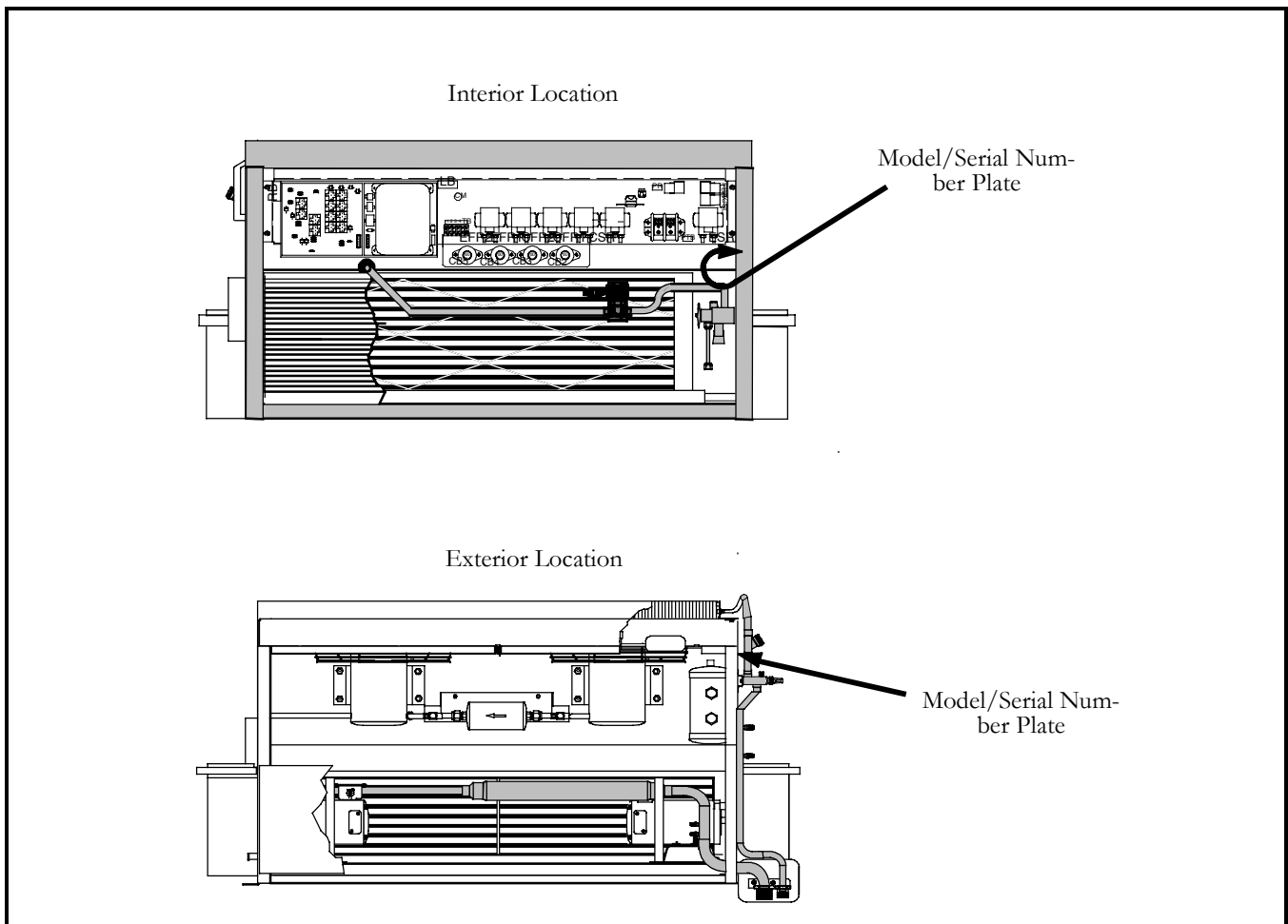
TABLE OF CONTENTS (Continued)

5	REFRIGERATION PIPING KITS	31
5.1	Refrigerant Piping Kits - Models 68RM35-610-1, -3, -5, -7, -8 & -10	31
5.1	Refrigerant Piping Kits - Models 68RM35-610-1, -3, -5, -7, -8 & -10 (Continued)	32
5.1	Refrigerant Piping Kits - Models 68RM35-610-1, -3, -5, -7, -8 & -10 (Continued)	33
5.1	Refrigerant Piping Kits - Models 68RM35-610-1, -3, -5, -7, -8 & -10 (Continued)	34
5.2	Refrigerant Piping Kits - Models 68RM35-610-2, -4, -6, -9	35
5.2	Refrigerant Piping Kits - Models 68RM35-610-2, -4, -6, -9	36
5.2	Refrigerant Piping Kits - Models 68RM35-610-2, -4, -6, -9 (Continued)	37
5.2	Refrigerant Piping Kits - Models 68RM35-610-2, -4, -6, -9 (Continued)	38
5.3	Refrigerant Piping Kits - Model Y13-R3501-00, -01 & -02	39
5.3	Refrigerant Piping Kit - Model Y13-R3501-00, -01 & -02 (Continued)	40
6	AIR FILTERS	41
7	HEATER CONNECTION ASSEMBLY	42
7	HEATER CONNECTION ASSEMBLY (Continued)	43
8	LABELS - GASKETS	44
9	CONDENSER FAN MOTOR ASSEMBLIES	45
9.1	Condenser Fan Motor Assemblies Common Parts - All 68RM Models	45
9.2	Condenser Fan Motor Assemblies - Models 68RM35-610-3, -4, -5	46
9.3	Condenser Fan Motor Assemblies - Models 68RM35-610-1, -2	46
9.4	Condenser Fan Motor Assemblies - Models 68RM35-610-6, -7, -8, -9 & -10	46
9.5	Condenser Fan Motor Assembly Models Y13-R3501-00, -01 & -02	47
10	EVAPORATOR BLOWER ASSEMBLY	48
10.1	Evaporator Blower Assembly Common Parts - All Models	48
10.2	Evaporator Blower Assembly Models 68RM35-610-1, -2	49
10.3	Evaporator Blower Assembly Models 68RM35-610-3, -4, -5	50
10.4	Evaporator Blower Assembly Models 68RM35-610-6, -7, -8, -9, -1 & Y13-R3501-00, -01 & -02	50
11	05G COMPRESSOR INSTALLATION COMPONENTS	51
11	05G COMPRESSOR INSTALLATION COMPONENTS (Continued)	52
11	05G COMPRESSOR INSTALLATION COMPONENTS (Continued)	53
11	05G COMPRESSOR INSTALLATION COMPONENTS (Continued)	54
12	BOCK COMPRESSOR ASSEMBLY - Y61-FK401-01	55
12	COMPRESSOR ASSEMBLY - ELECTRICAL CONNECTORS - Y61-FK401-01	56
13	MICROMATE CONTROL PANEL COMPONENTS	57

INTRODUCTION

This parts list identifies service replacement parts for Mobile Climate Control Model 68RM35-610 & Y13-R3501 Bus Air Conditioning and Heating systems found in the Model Chart. This parts list contains parts required to modify the O5G compressor to these applications. When similar compressor application specific parts are listed in this manual and the standard manual, the parts listed here in should be ordered.

MODEL/SERIAL NUMBER PLATE LOCATION





MODEL CHART

Part (Model) Number	Refrigerant	Controller	Thermostat	Filter Material	Evaporator & Condenser Motors
68RM35-610-1	R-134a	Micro-Max	Adjustable	Natural Hair	Wound Field
68RM35-610-2	R-134a	Micro-Max	Adjustable	Natural Hair	Wound Field
68RM35-610-3	R-134a	Micro-Max	Adjustable	Natural Hair	Permanent Magnet
68RM35-610-4	R-134a	Micro-Max	Adjustable	Natural Hair	Permanent Magnet
68RM35-610-5	R-134a	Micro-Max	Adjustable	Natural Hair	Permanent Magnet
68RM35-610-6	R-134a	Micro-Max	Adjustable	Natural Hair	Brushless
68RM35-610-7	R-134a	Micro-Max	Adjustable	Natural Hair	Brushless
68RM35-610-8	R-134a	Micro-Max	Adjustable	Natural Hair	Brushless
68RM35-610-9	R-134a	Micro-Max	Adjustable	Natural Hair	Brushless
68RM35-610-10	R-134a	Micro-Max	Adjustable	Natural Hair	Brushless
Y13-R3501-00	R-134a	Micro-Max	Adjustable	Natural Hair	Brushless
Y13-R3501-01	R-134a	Micro-Max	Adjustable	Permatron	Brushless
Y13-R3501-02	R-134a	Micro-Max	Adjustable	Natural Hair	Brushless

ORDERING INSTRUCTIONS

All orders and inquiries for parts must include: Unit Serial Number, Part no., description of part as shown on list and quantity required. Parts can be ordered by going to the following website:

www.mcc-hvac.com

GENERAL NOTES

To find replacement parts, determine major group in which replacement part is located, consult table of contents for the appropriate page for the illustrated breakdown of the replacement part. The following letter designations are used to classify parts throughout this list.

A/R *As Required*

NSA *Non-Stock Assembly* - order components listed under the assembly.

NSS *Not Sold Separately* - order next higher assembly or kit.

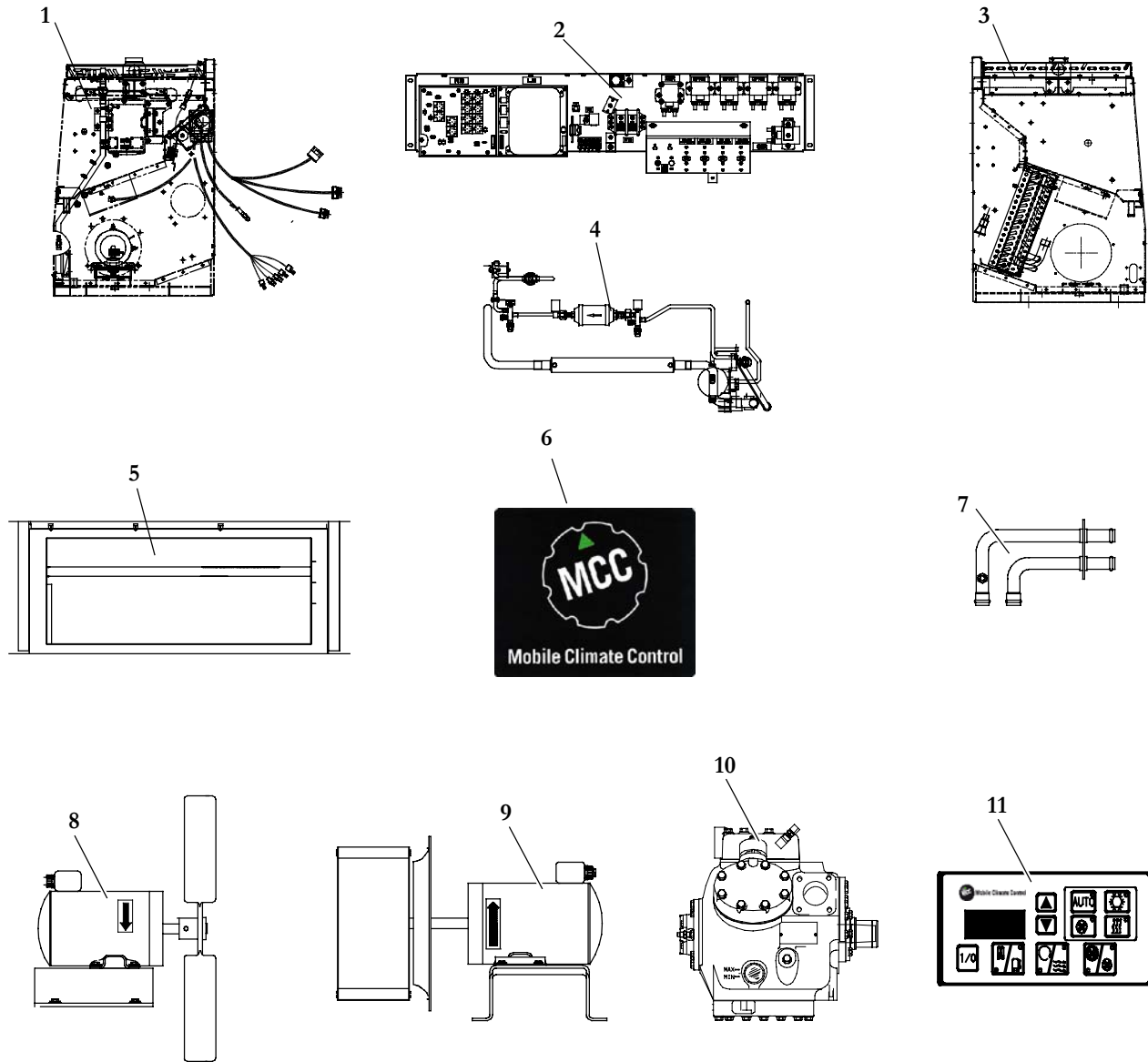
P *Painted*

SST *Stainless Steel* - 300 Series unless otherwise specified.

SV Suffix SV added to part number designates service replacement part.



1 UNIT ASSEMBLY - LOCATIONAL VIEW

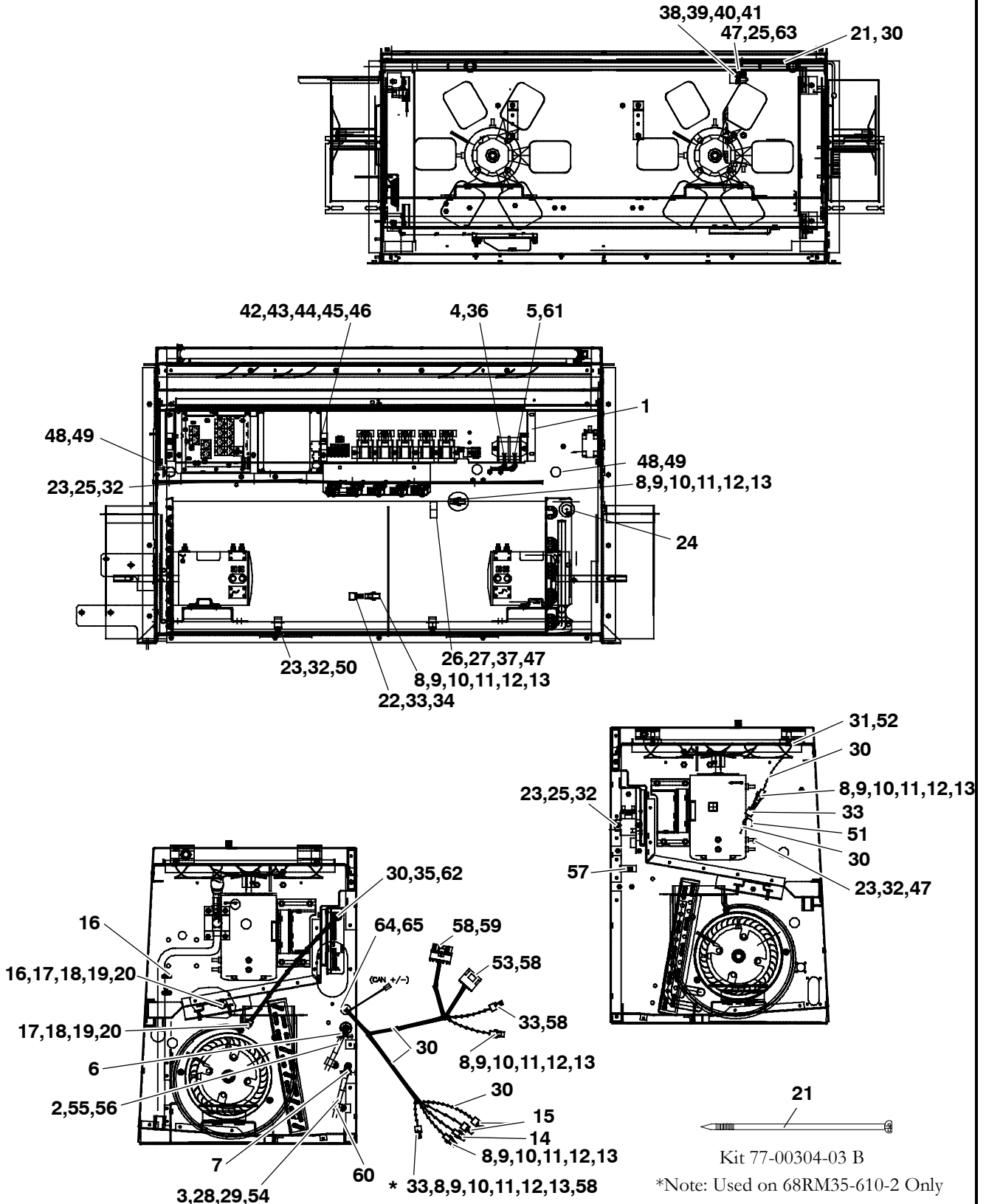


Item	Part Number	Description	Qty
1	-	Electrical Components (Refer to Section 2)	-
2	-	Electrical Control Panels (Refer to Section 3)	-
3	-	Coil Kits (Refer to Section 4)	-
4	-	Refrigerant Piping Kits (Refer to Section 5)	-
5	-	Air Filters (Refer to Section 6)	-
6	-	Label - Gaskets (Refer to Section 8)	-
7	-	Heater Connection Assembly (Refer to Section 7)	-
8	-	Condenser Fan and Motors (Refer to Section 9)	-
9	-	Evaporator Fan and Motors (Refer to Section 10)	-
10	-	Compressor Components (Refer to Section 11)	-
11	-	Micromate Control Panel (Refer to Section 13)	-



2 ELECTRICAL COMPONENTS

2.1 Electrical Components - 68RM35-610-1, -2





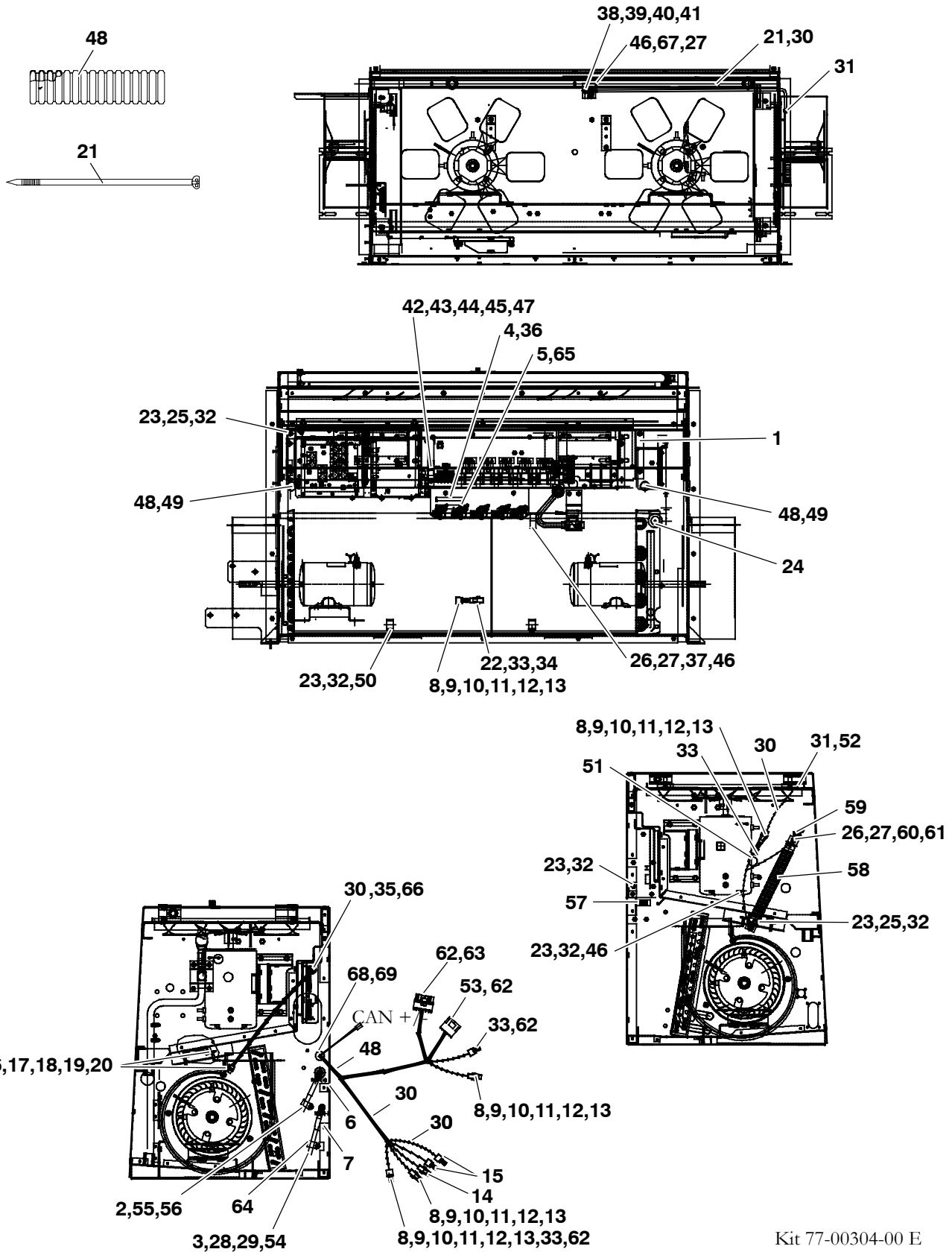
2.1 Electrical Components - 68RM35-610-1, -2			
Item	Part Number	Description	Qty
1	91-01182-02	Electrical Control Panel Assembly (See Section 3.1)	1
2	10-00315-00	Stud, Battery Connection, 3/8-16 x 2.07 Inches Long, Brass	1
3	34-06095-01	Stud, Battery Connection, 3/8-16 x 2.25 Inches Long	1
4	68RM55-209-14	Cable Assembly, Battery, Black, #2 AWG x 50.00 Inches Long	1
5	22-62186-00	Cable Assembly, Battery, Red x 50.00 Inches Long	1
6	62-62041-04	Label, Pos +	1
7	62-62041-05	Label, Neg -	1
8	22-02392-00SV	Connector Kit, 2 Pin - Includes:	4
9	NSS	Connector, 2 Pin, Black	1
10	22-02393-00	Terminal, Male (14-16 AWG)	2
11	22-02393-01	Terminal, Male (18-20 AWG)	2
12	22-01566-00	Terminal, Female (14-16 AWG)	2
13	22-02394-01	Seal, Cable, Blue	2
14	22-02392-01	Connector, 2 Pin, Medium Gray	1
15	22-01585-02	Connector, Male, 2 Pin, Gray	2
16	12-00352-00	Transducer, Pressure, Suction/Discharge	2
17	22-02448-00SV	Connector Package, Female - Includes:	2
18	NSS	Connector, Female, Black, 3 Pin	1
19	22-50078-76B	Terminal, Female (16-18 AWG)	3
20	22-62005-00	Terminal, Contact, Female	6
21	58-00079-02	Wire Tie, Self-Locking, 7.50 Inches, Black	36
22	22-02393-00	Terminal, Male (14-16 AWG)	2
23	34-00655-06	Screw, Cap, Hex Head, 1/4 -20 x 3/4 Inch Long, SST	14
24	58-00065-87	Grommet, 1.12 ID x 1.44 Hole, 0.156 Inch Groove	1
25	34-00662-11	Washer, Plain, 1/4, SST	13
26	34-06179-01	Bolt, Hex Head, Slotted, SEMS, #10-24 x 1/2 Inch Long, SST	1
27	34-00662-09	Washer, Flat, #10, SST	1
28	34-00879-03	Nut, Hex, Jam, 3/8-16, Brass	4
29	34-00938-13	Washer, Lock, Internal Tooth, 3/8, Brass	4
30	02-00137-02	Tape, Harness, 32mm x 25mm Roll	1
31	58-00065-18	Grommet, 0.38 ID x 0.62 Hole, 0.19 Inch Groove	1
32	34-00663-11	Washer, Split Lock, 1/4 Inch, SST	14
33	22-01585-00SK	Connector, Male, 2 Pin, Black	A/R
34	22-02394-00	Seal, Cable	2
35	22-02302-02	Connector, Straight, Conduit, Watertight, 1/2 Inch	1
36	58-62124-00	Tubing, Flexible, Spiral, Closed 1/2 Inch x 100 Feet Roll	1
37	34-00663-09	Washer, Split Lock, #10, SST	1
38	68RM35-267	Thermistor Assembly - Includes:	1
39	12-00495-02SV	Thermistor Kit, Ambient Air Sensor (Replacement For 12-00305-04)	1
40	22-02394-00	Seal, Cable	2
41	22-02393-01	Terminal, Male (18-20 AWG)	2



2.1 Electrical Components - 68RM35-610-1, -2 (Continued)			
Item	Part Number	Description	Qty
42	22-62097-00	Wire Harness, Remote, 63.00 Inches Long - Includes:	1
43	22-50145-00	Connector, Plug, 4 Pin	1
44	22-50152-00	Terminal, Female Receptacle (16-26 AWG)	4
45	22-02394-02	Seal, Cable, Green (0.06 - 0.08 Cable OD)	4
46	22-01566-01	Terminal, Female (18-20 AWG)	4
47	34-00373-03	Clamp, Tube, 3/8 OD, With Neoprene Cushion, SST	2
48	AC202-215	Tubing, Flexible, 3/4 Inch, (25 Feet Roll)	1
49	22-02302-03	Connector, Straight, Conduit, Watertight, 3/4 Inch	3
50	34-00373-13	Clamp, Tube, 1 Inch OD, With Neoprene Cushion, SST	2
51	58-00065-85	Grommet, 7/8 Inch ID, 1-1/8 Inch Hole, 3/32 Inch Groove	1
52	44-00102-51	Clamp, Tube, 1/2 Inch OD, With Neoprene Cushion, SST	1
53	22-50099-09	Connector, Male, 6 Pin	1
54	22-62017-00	Cable Assembly, Battery, Black, #2 AWG x 96.00 Inches Long	1
55	22-62018-01	Cable Assembly, Battery, Red, #2 AWG x 118 Inches Long	1
56	34-62001-00	Washer, Nylon, Red	1
57	62-62041-22	Label, ESR	1
58	22-01565-01	Plug, Terminal Cavity	7
59	22-01585-04	Connector, Male, 4 Pin	1
60	44-00102-06	Clamp, Tube, 7/8 Inch OD, With Neoprene Cushion, SST	2
61	58-01368-00	Tubing, Spiral, Corrugated, 1/2 Inch, Closed, Red, 25 Feet Long	1
62	AC202-210	Tubing, Flexible, 1/2 Inch, (100 Feet Roll)	1
63	34-00667-11	Nut, Hex, Self-Locking, 1/4-20, SST	1
64	22-02302-04	Connector, Straight, Conduit, Watertight, 1 Inch	1
65	22-02301-04	Tubing, Spiral, Flexible, 1 Inch Closed (100 Feet Roll)	1



2.2 Electrical Components - 68RM35-610-3, -4, -5



Kit 77-00304-00 E



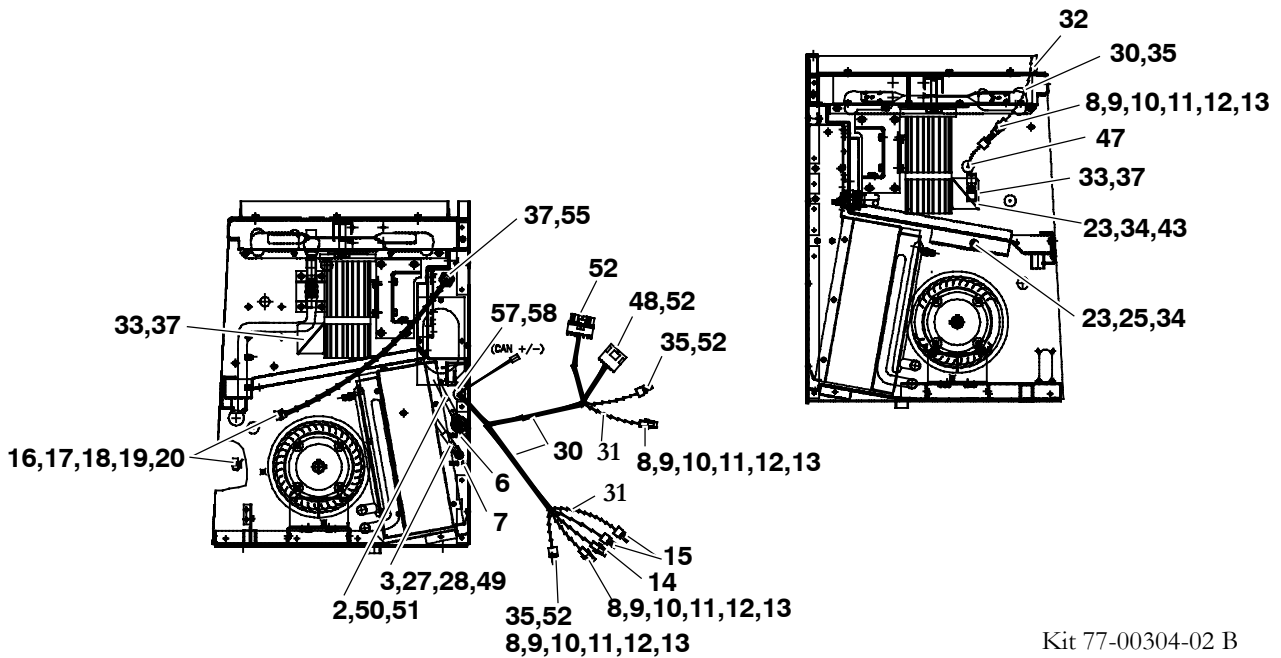
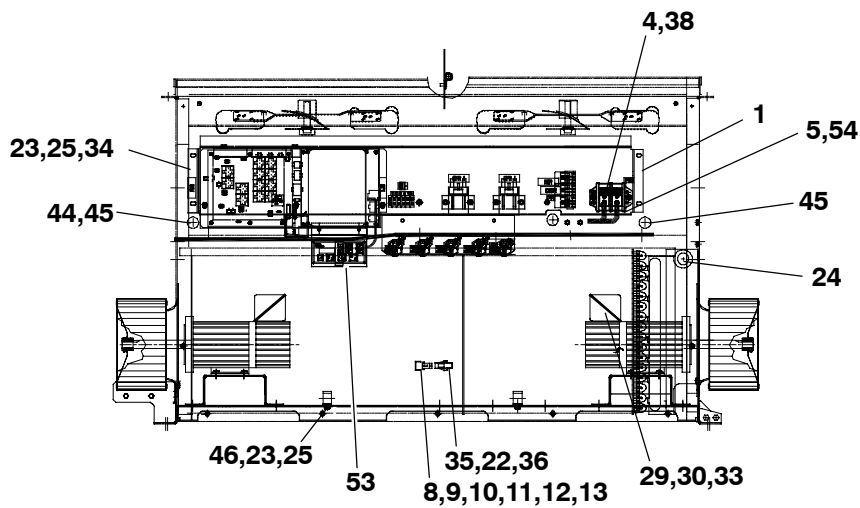
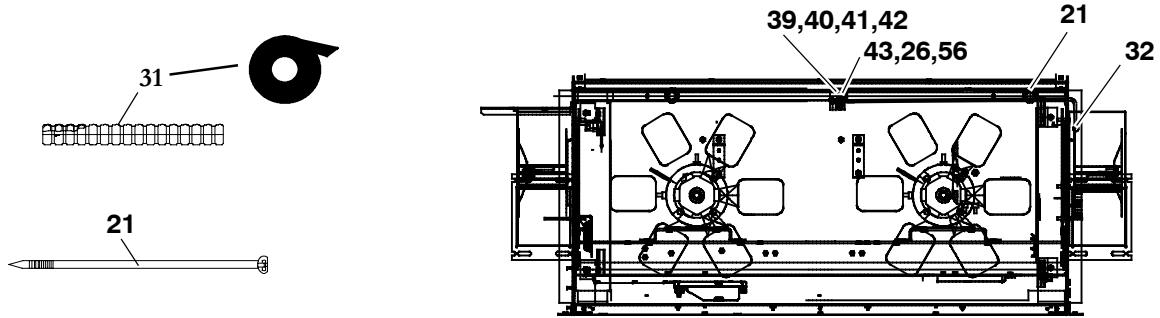
2.2 Electrical Components - 68RM35-610-3, -4, -5			
Item	Part Number	Description	Qty
1	91-01182-00	Electrical Control Panel Assembly (See Section 3.2)	1
2	10-00315-00	Stud, Battery Connection, 3/8-16 x 2.07 Inches Long, Brass	1
3	34-06095-01	Stud, Battery Connection, 3/8-16 x 2.25 Inches Long	1
4	68RM55-209-14	Cable Assembly, Battery, Black, #2 AWG x 50.00 Inches Long	1
5	22-62186-00	Cable Assembly, Battery, Red x 50.00 Inches Long	1
6	62-62041-04	Label, Pos +	1
7	62-62041-05	Label, Neg -	1
8	22-02392-00SV	Connector Kit, 2 Pin - Includes:	4
9	NSS	Connector, 2 Pin, Black	1
10	22-02393-00	Terminal, Male (14-16 AWG)	2
11	22-02393-01	Terminal, Male (18-20 AWG)	2
12	22-01566-00	Terminal, Female (14-16 AWG)	2
13	22-02394-01	Seal, Cable, Blue	2
14	22-02392-01	Connector, 2 Pin, Medium Gray	1
15	22-01585-02	Connector, Male, 2 Pin, Gray	2
16	12-00352-00	Transducer, Pressure, Suction/Discharge	2
17	22-02448-00SV	Connector Package, Female - Includes:	2
18	NSS	Connector, Female, Black, 3 Pin	1
19	22-50078-76B	Terminal, Female (16-18 AWG)	3
20	22-62005-00	Terminal, Contact, Female	6
21	58-00079-02	Wire Tie, Self-Locking, 7.50 Inches, Black	36
22	22-02393-00	Terminal, Male (14-16 AWG)	2
23	34-00655-06	Screw, Cap, Hex Head, 1/4 -20 x 3/4 Inch Long, SST	17
24	58-00065-87	Grommet, 1.12 ID x 1.44 Hole, 0.156 Inch Groove	1
25	34-00662-11	Washer, Plain, 1/4, SST	11
26	34-06179-01	Bolt, Hex Head, Slotted, SEMS, #10-24 x 1/2 Inch Long, SST	3
27	34-00662-09	Washer, Flat, #10, SST	6
28	34-00879-03	Nut, Hex, Jam, 3/8-16, Brass	4
29	34-00938-13	Washer, Lock, Internal Tooth, 3/8, Brass	4
30	02-00137-02	Tape, Harness, 32mm x 25.00 Feet Long, Corrugated, Black	1
31	58-00065-18	Grommet, 0.38 ID x 0.62 Hole, 0.19 Inch Groove	1
32	34-00663-11	Washer, Split Lock, 1/4 Inch, SST	17
33	22-01585-00	Connector, Male, 2 Pin, Black	5
34	22-02394-00	Seal, Cable	2
35	22-02302-02	Connector, Straight, Conduit, Watertight, 1/2 Inch	1
36	58-62124-00	Tubing, Flexible, Spiral, Closed 1/2 Inch x 100 Feet Roll	1
37	34-00663-09	Washer, Split Lock, #10, SST	1
38	68RM35-267	Thermistor Assembly - Includes:	1
39	12-00495-02SV	Thermistor Kit, Ambient Air Sensor (Replacement For 12-00305-04)	1
40	22-02394-00	Seal, Cable	2
41	22-02393-01	Terminal, Male (18-20 AWG)	2
42	22-62097-00	Wire Harness, Remote, 63.00 Inches Long - Includes:	1
43	22-50145-00	Connector, Plug, 4 Pin	1
44	22-50152-00	Terminal, Female Receptacle (16-26 AWG)	4
45	22-02394-02	Seal, Cable, Green (0.06 - 0.08 Cable OD)	4



2.2 Electrical Components - 68RM35-610-3, -4, -5 (Continued)			
Item	Part Number	Description	Qty
46	34-00373-03	Clamp, Tube, 3/8 OD, With Neoprene Cushion, SST	2
47	22-01566-01	Terminal, Female (18-20 AWG)	4
48	AC202-215	Tubing, Flexible, 3/4 Inch, (25 Feet Roll)	1
49	22-02302-03	Connector, Straight, Conduit, Watertight, 3/4 Inch	2
50	34-00373-13	Clamp, Tube, 1 Inch OD, With Neoprene Cushion, SST	2
51	58-00065-85	Grommet, 7/8 Inch ID, 1-1/8 Inch Hole, 3/32 Inch Groove	1
52	44-00102-51	Clamp, Tube, 1/2 Inch OD, With Neoprene Cushion, SST	1
53	22-50099-09	Connector, Male, 6 Pin	1
54	22-62017-00	Cable Assembly, Battery, Black, #2 AWG x 96.00 Inches Long	1
55	22-62018-00	Cable Assembly, Battery, Red, #2 AWG x 102 Inches Long	1
56	34-62001-00	Washer, Nylon, Red	1
57	62-62041-22	Label, ESR	1
58	22-01584-00	Resistor, 420 Watts, With Mounting Bracket	1
59	62-62041-17	Label, DRI	1
60	34-00667-09	Nut, Hex, Self-Locking, #10-24, SST	2
61	22-00872-01	Terminal, Ring, #10	2
62	22-01565-01	Plug, Terminal Cavity	9
63	22-01585-04	Connector, Male, 4 Pin	1
64	44-00102-06	Clamp, Tube, 7/8 Inch OD, With Neoprene Cushion, SST	2
65	58-01368-00	Tubing, Spiral, Corrugated, 1/2 Inch, Closed, Red, 25 Feet Long	1
66	AC202-210	Tubing, Flexible, 1/2 Inch, (100 Feet Roll)	1
67	34-00360-09	Nut, Hex, Self-Locking, #10-32	1
68	22-02302-04	Connector, Straight, Conduit, Watertight, 1 Inch	1
69	22-02301-04	Tubing, Spiral, Flexible, 1 Inch Closed (100 Feet Roll)	1



2.3 Electrical Components - 68RM35-610-6, -7, -8, -9



Kit 77-00304-02 B



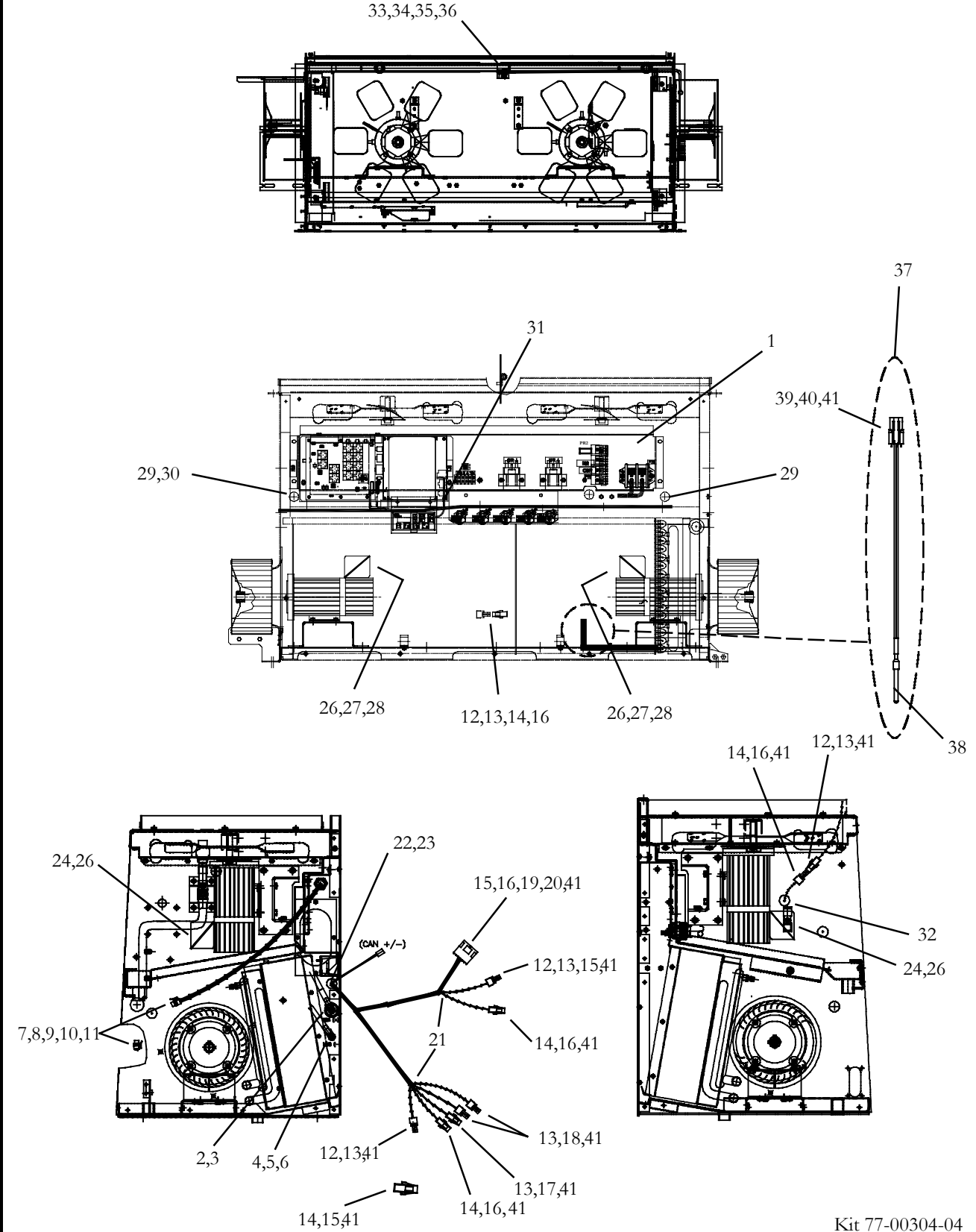
2.3 Electrical Components - 68RM35-610-6, -7, -8, -9 (Continued)			
Item	Part Number	Description	Qty
1	91-01182-01	Electrical Control Panel Assembly (See Section 3.3)	1
2	10-00315-00	Stud, Battery Connection, 3/8-16 x 2.07 Inches Long, Brass	1
3	34-06095-01	Stud, Battery Connection, 3/8-16 x 2.25 Inches Long	1
4	68RM55-209-14	Cable Assembly, Battery, Black, #2 AWG x 50.00 Inches Long	1
5	68RM55-210-12	Cable Assembly, Battery, Red, #2 AWG x 50.00 Inches Long	1
6	62-62041-04	Label, Pos +	1
7	62-62041-05	Label, Neg -	1
8	22-02392-00SV	Connector Kit, 2 Pin - Includes:	4
9	NSS	Connector, 2 Pin, Black	1
10	22-02393-00	Terminal, Male (14-16 AWG)	2
11	22-02393-01	Terminal, Male (18-20 AWG)	2
12	22-01566-00	Terminal, Female (14-16 AWG)	2
13	22-02394-01	Seal, Cable, Blue	2
14	22-02392-01	Connector, 2 Pin, Medium Gray	1
15	22-01585-02	Connector, Male, 2 Pin, Gray	2
16	12-00352-00	Transducer, Pressure, Suction/Discharge	2
17	22-02448-00SV	Connector Package, Female - Includes:	2
18	NSS	Connector, Female, Black, 3 Pin	1
19	22-50078-76B	Terminal, Female (16-18 AWG)	3
20	22-62005-00	Terminal, Contact, Female	6
21	58-00079-02	Wire Tie, Self-Locking, 7.50 Inches, Black	36
22	22-02393-00	Terminal, Male (14-16 AWG)	2
23	34-00655-06	Screw, Cap, Hex Head, 1/4 -20 x 3/4 Inch Long, SST	A/R
24	58-00065-87	Grommet, 1.12 ID x 1.44 Hole, 0.156 Inch Groove	1
25	34-06212-12	Washer, Plain 1/4 Inch, SST	A/R
26	34-00662-09	Washer, Flat, #10, SST	1
27	34-00879-03	Nut, Hex, Jam, 3/8-16, Brass	4
28	34-00938-13	Washer, Lock, Internal Tooth, 3/8, Brass	4
29	AC701-237	Connector, Romex To Box, 3/8 Inch	2
30	AC301-204	Hose, Valve-Kazoo, 1 Inch	1
31	02-00137-02	Tape, Harness, 32mm x 25mm Roll	1
	AC202-215	Tubing, Flexible, 3/4 Inch, (25 Feet Roll)	1
32	58-00065-49	Grommet, 0.38 ID x 0.56 Hole, 0.12 Inch Groove	1
33	22-02126-03	Cap, Insulated, Electrical, #14 to #16 AWG	8
34	34-00663-11	Washer, Split Lock, 1/4 Inch, SST	A/R
35	22-01585-00SK	Connector, Male, 2 Pin, Black	4
36	22-02394-00	Seal, Cable	2
37	22-02302-02	Connector, Straight, Conduit, Watertight, 1/2 Inch	3
38	58-62124-00	Tubing, Flexible, Spiral, Closed 1/2 Inch x 100 Feet Roll	1
39	68RM35-267	Thermistor Assembly - Includes:	1
40	12-00495-02SV	Thermistor Kit, Ambient Air Sensor (Replacement For 12-00305-04)	1
41	22-02394-00	Seal, Cable	2
42	22-02393-01	Terminal, Male (18-20 AWG)	2



2.3 Electrical Components - 68RM35-610-6, -7, -8, -9 (Continued)			
Item	Part Number	Description	Qty
43	34-00373-03	Clamp, Tube, 3/8 OD, With Neoprene Cushion, SST	3
44	AC202-215	Tubing, Flexible, 3/4 Inch, (25 Feet Roll)	1
45	22-02302-03	Connector, Straight, Conduit, Watertight, 3/4 Inch	2
46	34-00373-13	Clamp, Tube, 1 Inch OD, With Neoprene Cushion, SST	2
47	58-00065-85	Grommet, 7/8 Inch ID, 1-1/8 Inch Hole, 3/32 Inch Groove	1
48	22-50099-09	Connector, Male, 6 Pin	1
49	22-62017-00	Cable Assembly, Battery, Black, #2 AWG x 96.00 Inches Long	1
50	22-62018-01	Cable Assembly, Battery, Red, #2 AWG x 118 Inches Long	1
51	34-62001-00	Washer, Nylon, Red	1
52	22-01565-01	Plug, Terminal Cavity	9
53	-	Module, Micromate Control - See Paragraph 13	-
54	58-01368-00	Tubing, Spiral, Corrugated, 1/2 Inch, Closed, Red, 25 Feet Long	1
55	AC202-210	Tubing, Flexible, 1/2 Inch, (100 Feet Roll)	1
56	34-00360-09	Nut, Hex, Self-Locking, #10-32	1
57	22-02302-04	Connector, Straight, Conduit, Watertight, 1 Inch	1
58	22-02301-04	Tubing, Spiral, Flexible, 1 Inch Closed (100 Feet Roll)	1



2.4 Electrical Components - 68RM35-610-10

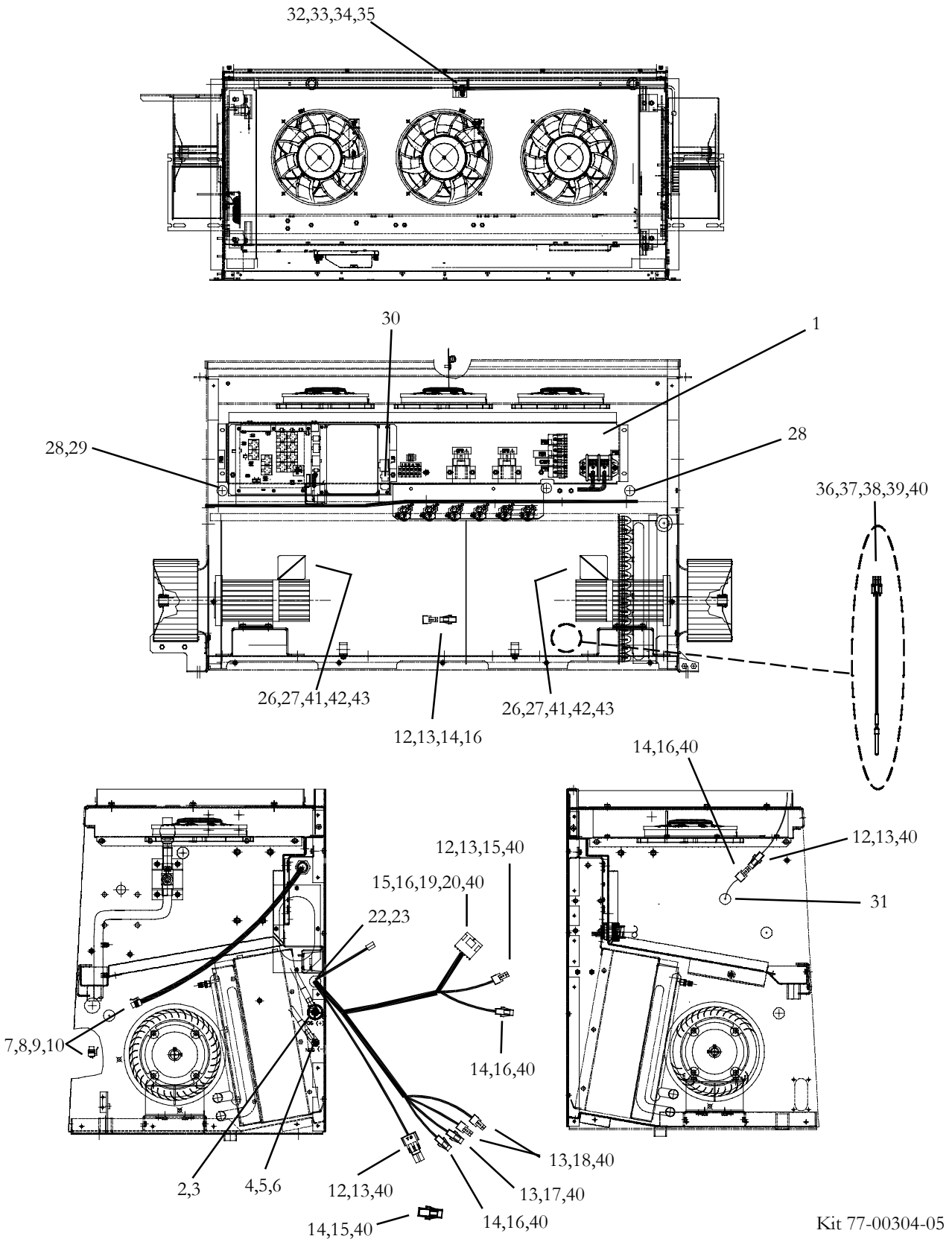




2.4 Electrical Components - 68RM35-610-10 (Continued)			
Item	Part Number	Description	Qty
1	91-01182-03	Panel Assembly W/PR2 Relay (See Section 3.4)	NSA
2	10-00315-00	Stud, 3/8 -16 x 2.07	1
3	34-62001-00	Washer, Nylon- Red	1
4	34-06095-01	Stud, 3/8-16 x 2.25	1
5	34-00879-03	Nut, Jam, 3/8 -16	4
6	34-00938-13	Washer, Lock 3/8 Internal Tooth	4
7	12-00352-00	Transducer, Pressure, Suction/Discharge	2
8	22-02448-00SV	Connector Package, Female - Includes:	2
9	NSS	Connector, Female, Black, 3 Pin	1
10	22-50078-76B	Terminal, Female (16-18 AWG)	3
11	22-62005-00	Terminal, Contact, Female	6
12	22-01585-00	Connector, Female 2 Pin (ESS Cooler, C3, Coolant Valve, Ambient Sensor)	4
13	22-01566-01	Terminal, Female (18-20 AWG)	11
14	22-02392-00	Connector, Male 2 Pin (ESS Cooler Cap, LPS, Floor Blower, Ambient Sensor)	4
15	22-01565-01	Plug, Terminal Cavity	2
16	22-02393-01	Terminal, Male (18-20 AWG)	6
17	22-02392-01	Connector, Male 2 Pin (Clutch)	1
18	22-01585-02	Connector, Female 2 Pin (UV1,UV2)	2
19	22-50099-00	Connector, Male, 6 Pin (Boost Pump, A/C Fail)	1
20	22-02393-00	Terminal, Male (14-16 AWG)	1
21	02-00137-02	Tape, VO Type	A/R
22	22-02302-04	Connector, 1" Straight	1
23	22-02301-04	Conduit,Spiral 1" Flexible	1
24	22-02302-02	Connector, 1/2"	3
25	AC202-210	Tubing, Flexible 1/2" Closed	3
26	22-02126-03	Cap, Insulator	8
27	AC701-237	Connector, 3/8" Clamp Type	2
28	AC301-204	Kazoo, Hose Valve	2
29	22-02302-03	Connector	2
30	AC202-215	Tubing Flexible 3/4"	4
31	22-62097-00	Wire Harness, Remote Micromate	1
32	58-00065-85	Grommet, 1-1/8" Hole	1
33	68RM35-267	Thermistor Assembly - Includes:	1
34	12-00495-02SV	Thermistor Kit, Ambient Air Sensor (Replacement For 12-00305-04)	1
35	22-02394-00	Seal, Cable	2
36	22-02393-01	Terminal, Male (18-20 AWG)	2
37	Y25-00029-00	Thermistor Assembly, Freeze Stat, Includes:	1
38	12-00523-00	Thermistor	1
39	22-02392-00	Connector, 2 Pin Male	1
40	22-02393-01	Terminal, Male (18-20 AWG)	2
41	22-02394-02	Terminal, Seal	2



2.5 Electrical Components - Y13-R3501-00, -01 & -02



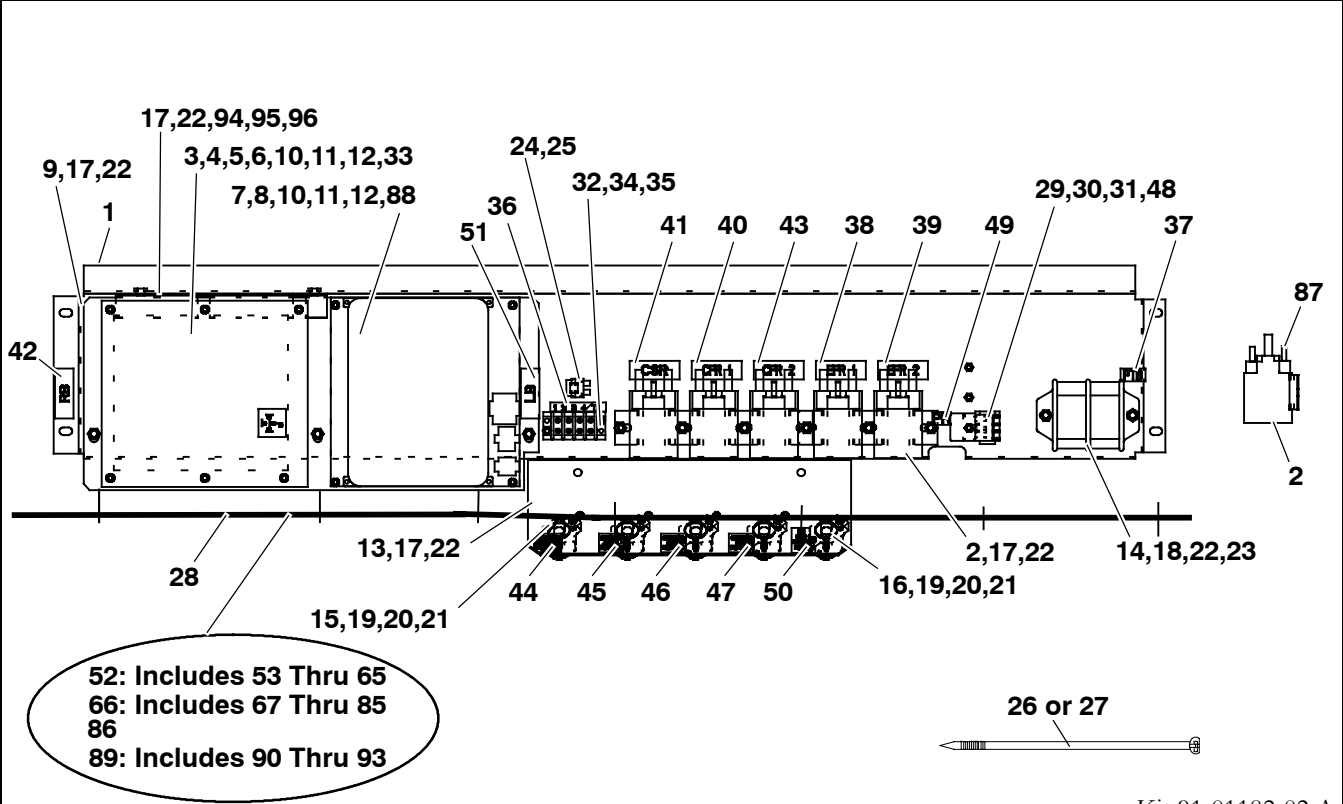


2.5 Electrical Components - Y13-R3501-00, -01 & -02 (Continued)			
Item	Part Number	Description	Qty
1	91-01182-04	Panel Assembly W/PR2 Relay (See Section 3.5)	NSA
2	10-00315-00	Stud, 3/8 -16 x 2.07	1
3	34-62001-00	Washer, Nylon- Red	1
4	34-06095-01	Stud, 3/8-16 x 2.25	1
5	34-00879-03	Nut, Jam, 3/8 -16	4
6	34-00938-13	Washer, Lock 3/8 Internal Tooth	4
7	12-00352-00	Transducer, Pressure, Suction/Discharge	2
8	22-02448-00SV	Connector Package, Female - Includes:	2
9	NSS	Connector, Female, Black, 3 Pin	1
10	22-50078-76B	Terminal, Female (16-18 AWG)	3
11	22-62005-00	Terminal, Pushon	6
12	22-01585-00	Connector, Female 2 Pin (ESS Cooler, C3, Coolant Valve, Ambient Sensor)	4
13	22-01566-01	Terminal, Female (18-20 AWG)	11
14	22-02392-00	Connector, Male 2 Pin (ESS Cooler Cap, LPS, Floor Blower, Ambient Sensor)	4
15	22-01565-01	Plug, Terminal Cavity	2
16	22-02393-01	Terminal, Male (18-20 AWG)	6
17	22-02392-01	Connector, Male 2 Pin (Clutch)	1
18	22-01585-02	Connector, Female 2 Pin (UV1,UV2)	2
19	22-50099-00	Connector, Male, 6 Pin (Boost Pump, A/C Fail)	1
20	22-02393-00	Terminal, Male (14-16 AWG)	1
21	02-00137-02	Tape, VO Type	A/R
22	22-02302-04	Connector, 1" Straight	1
23	22-02301-04	Conduit,Spiral 1" Flexible	1
24	AC202-210	Tubing, Flexible 1/2" Closed	3
25	22-50099-40	Connector, Female 6 Position	3
26	AC701-237	Connector, 3/8" Clamp Type (Used on Y13-R3501-00 & -02 ONLY)	2
	22-01173-02	Connector, Liquid Tight 3/4" NPT (Used on Y13-R3501-01 ONLY)	2
27	AC301-204	Kazoo, Hose Valve (Used on Y13-R3501-00 & -02 ONLY)	2
28	22-02302-03	Connector	2
29	AC202-215	Tubing Flexible 3/4"	4
30	22-62097-00	Wire Harness, Remote Micromate	1
31	58-00065-85	Grommet, 1-1/8" Hole	1
32	68RM35-267	Thermistor Assembly - Includes:	1
33	12-00495-02SV	Thermistor Kit, Ambient Air Sensor (Replacement For 12-00305-04)	1
34	22-02394-00	Seal, Cable	2
35	22-02393-01	Terminal, Male (18-20 AWG)	2
36	Y25-00029-00	Thermistor Assembly, Freeze Stat, Includes:	1
37	12-00523-00	Thermistor	1
38	22-02392-00	Connector, 2 Pin Male	1
39	22-02393-01	Terminal, Male (18-20 AWG)	2
40	22-02394-02	Terminal, Seal	2
41	22-02126-03	Cap, Insulator (Qty of 5 used on Y13-R3501-01 ONLY)	4
42	22-02126-02	Cap, Insulator (Used on Y13-R3501-00 & -02 ONLY)	4
	22-02126-01	Cap, Insulator (Used on Y13-R3501-01 ONLY)	4
43	Y35-00023-00	Cap, Insulator (Used on Y13-R3501-01 ONLY)	4



3 ELECTRICAL CONTROL PANELS

3.1 Electrical Control Panel - Model 68RM35-610-1, -2



Kit 91-01182-02 A

Item	Part Number	Description	Qty
1	68-08300-00	Panel Assembly, Electrical, Painted	1
2	10-00300-02	Contactors, 28VDC, SPNO	6
3	12-00371-01	Board, Relay - Includes:	1
4	10-00286-11	Relay, 24 VDC, 40 Amp, SPDT	11
5	10-00286-12	Relay, 24 VDC, 40 Amp, SPDT (K13 Only)	1
6	22-02336-06	Fuse, 15 Amp	3
7	12-00693-00	Module, Controller Logic, With CAN, 24VDC - Includes:	1
8	22-50236-00	Harness, Ribbon Cable, 26 Pin (Logic Module To Relay Board)	1
9	68-08299-00	Panel Assembly, Relay Board and Logic Module, Painted	1
10	34-62000-00	Spacer, 5/16 Diameter x 1/2 Inch Long	6
11	58-00511-08	Washer, Nylon 10	10
12	34-00360-09	Nut, Hex, Self-Locking, #10-32	10
13	68-08298-00	Panel, Circuit Breaker, Painted	1
14	22-01594-00	Terminal Block, Power	1
15	10-00307-01	Circuit Breaker, 60 Amp	4
16	10-00247-03	Circuit Breaker, 15 Amp	1
17	34-62055-00	Bolt, Hex Head, With Split Lock Washer, 1/4-20 x 5/8 Inch Long	8
18	34-00655-08	Bolt, Hex Head, 1/4-20 x 1 Inch Long, SST	2
19	34-06179-03	Bolt, Hex Head, Slotted, SEMS, #10-24 x 1 Inch Long, SST	10
20	34-00662-09	Washer, Flat, #10, SST	10
21	34-00667-09	Nut, Hex, Self-Locking, #10-24, SST	10
22	34-00662-11	Washer, Plain, 1/4, SST	10



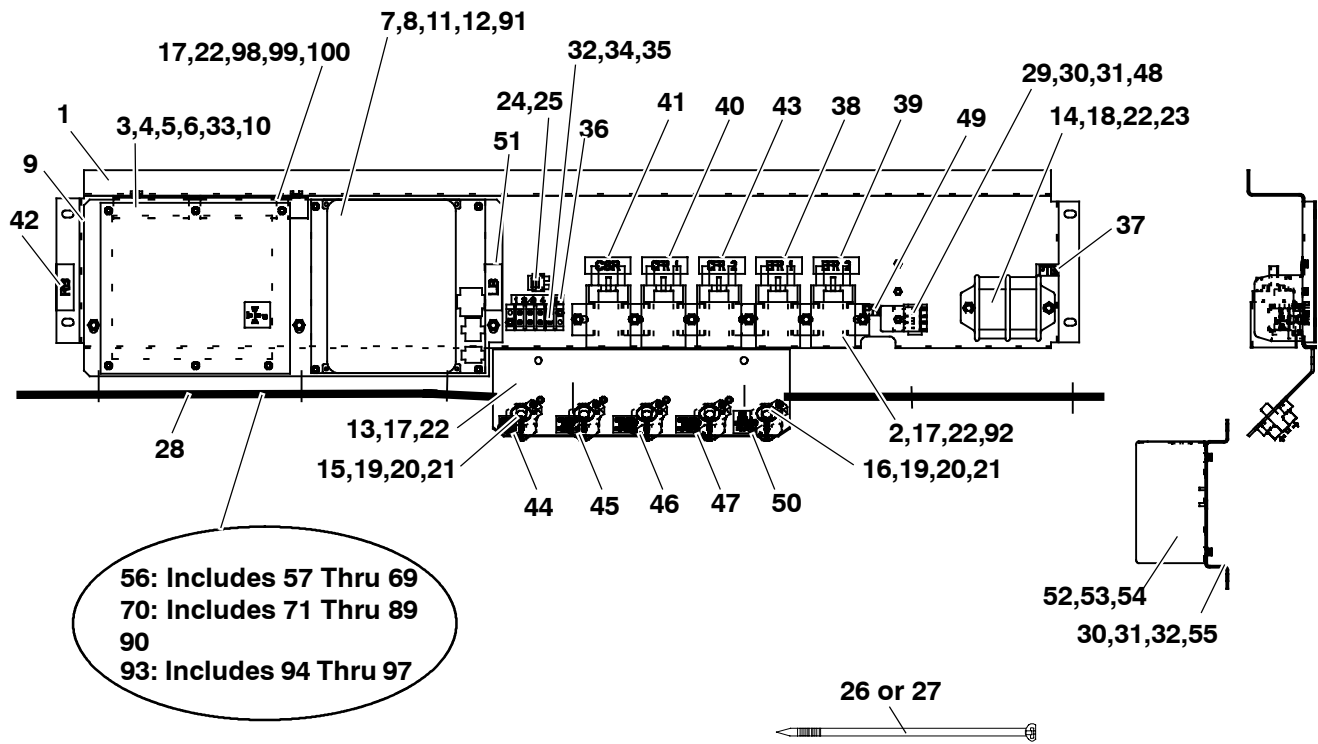
3.1 Electrical Control Panel - Model 68RM35-610-1, -2 (Continued)			
Item	Part Number	Description	Qty
23	34-00663-11	Washer, Split Lock, 1/4 Inch, SST	2
24	22-02336-04	Fuse, 10 Amp	1
25	22-01449-00	Clip, Fuse	1
26	58-00079-02	Wire Tie, Self-Locking, 7.50 Inches, Black	40
27	58-00079-00	Sta-Strap, Cable Clamp, 0 - 4.00 Inch Diameter, Black	7
28	02-00137-02	Tubing, 0.92 Inch ID x 75.00 Feet Long, Black	4
29	34-00662-08	Washer, Plain, #8, SST	9
30	34-00663-08	Washer, Split Lock, #8, SST	9
31	34-06264-04	Screw, Hex Head, Slotted, #8-32 x 1/2 Inch Long, SST	7
32	34-06264-06	Screw, Hex Head Slotted, #08-32 x 3/4 Inch Long, SST	2
33	42-62005-00	Gasket, Relay Board	1
34	22-01563-05	Terminal Block, 4 Pole	1
35	22-01612-00	Jumper, Terminal Block	1
36	62-62040-04	Label, TB 1-4	1
37	62-62041-26	Label, PTB	1
38	62-62041-20	Label, EFR1	1
39	62-62041-21	Label, EFR2	1
40	62-62041-11	Label, CFR1	1
41	62-62041-16	Label, CSR	1
42	62-62041-27	Label, RB	1
43	62-62041-13	Label, CFR2	1
44	62-62043-07	Label, CB5 (60A) Cond Motor	1
45	62-62043-05	Label, CB4 (60A) Cond Motor	1
46	62-62043-03	Label, CB3 (60A) Evap Motor	1
47	62-62043-01	Label, CB2 (60A) Evap Motor	1
48	10-00286-13	Relay, 24 VDC, 50 Amp, w/ Diode, SPDT	1
49	62-62041-25	Label, Power Relay	1
50	62-62044-00	Label, CB1 (15A) Boost Pump	1
51	62-62041-24	Label, LB	1
52	22-02923-00	Wire Harness, Interface, CAN, MCHX, ESS - Includes:	1
53	22-50143-00	Connector, 15 Position (J4)	1
54	22-50135-00	Connector, Female, 3 Position (JP3)	1
55	22-50136-00	Connector, Female, 6 Position (JP4)	1
56	22-50137-00	Connector, Female, 5 Position (JP5)	1
57	22-50138-00	Connector, Female, 4 Position (JP6)	1
58	22-50152-00	Terminal, Female Receptacle (16-26 AWG)	2
59	22-50148-00	Terminal, Female (J7, J8 & J9)	16
60	22-50346-00	Terminal, Female (JP7) (JP9)	3
61	AC201-600	Diode, In-Line, 6 AMP	1
62	22-01566-01	Terminal, Female (18-20 AWG)	13
63	22-01139-05	Terminal, Ring, #8, 14-16 AWG, Blue	2
64	22-02393-00	Terminal, Male (14-16 AWG)	1
65	22-02393-01	Terminal, Male (18-20 AWG)	4



3.1 Electrical Control Panel - Model 68RM35-610-1, -2 (Continued)			
Item	Part Number	Description	Qty
66	22-02924-00	Wire Harness, Control (PM & WF) - Includes:	1
67	22-50144-00	Connector, Housing Kit, 4 Position (J1)	1
68	22-50153-00	Terminal, Socket, Female (J1)	4
69	CM983-618	Connector, 24 Position (J6)	1
70	22-50152-00	Terminal, Female Receptacle (16-26 AWG)	24
71	22-50135-00	Connector, Female, 3 Position (JP3)	1
72	22-50148-00	Terminal, Female (J7, J8 & J9)	8
73	22-50134-00	Connector, Female, 2 Position (J8)	1
74	22-50275-00	Connector, Female, 3 Position (J9)	1
75	22-50346-00	Terminal, Female (JP7) (JP9)	4
76	22-50347-00	Terminal, Female (JP7) (JP9)	4
77	22-50122-05	Terminal, Female (Relay Connector)	4
78	AC201-901	Connector, Relay Socket	1
79	AC201-931	Lock, Connector, Secondary	1
80	22-50359-00	Terminal, Socket (J1)	1
81	22-02336-04	Fuse, 10 Amp	1
82	22-02338-02	Holder, Fuse	1
83	12-00495-02SV	Thermistor Kit, Ambient Air Sensor (Replacement For 12-00305-04)	1
84	22-02336-25	Fuse, 20 Amp	1
85	22-02338-03	Holder, Fuse, With Cap	1
86	22-02931-00	Harness, Power	1
87	22-00121-27	Terminal, Ring, #10, 22-16 AWG, Red Vinyl	2
88	34-62000-01	Spacer, 5/16 Diameter x 1/4 Inch Long	4
89	22-02925-00	Wire Harness, Remote, 36.00 Inches Long - Includes:	1
90	22-01613-06	Connector, Male, 3 Position, Black	1
91	22-01613-07	Lock, Secondary, 3 Position, Blue	1
92	22-01613-15	Connector, Socket, #16	3
93	22-50152-00	Terminal, Female Receptacle (16-26 AWG)	3
94	68-08301-00	Angle, Painted	1
95	58-00523-00	Extrusion, Neoprene, U-Shaped	A/R
96	02-00025-00	Adhesive, Rubber, Yellow, 5oz. Tube	A/R



3.2 Electrical Control Panel - Model 68RM35-610-3, -4, -5



Kit 91-01182-00 D

Item	Part Number	Description	Qty
1	68-08300-00	Panel Assembly, Electrical, Painted	1
2	10-00300-02	Contactora, 28VDC, SPNO	5
3	12-00371-01	Board, Relay - Includes:	1
4	10-00286-11	Relay, 24 VDC, 40 Amp, SPDT	11
5	10-00286-12	Relay, 24 VDC, 40 Amp, SPDT (K13 Only)	1
6	22-02336-06	Fuse, 15 Amp	3
7	12-00693-00	Module, Controller Logic, With CAN, 24VDC - Includes:	1
8	22-50236-00	Harness, Ribbon Cable, 26 Pin (Logic Module To Relay Board)	1
9	68-08299-00	Panel Assembly, Relay Board & Logic Module, Painted	1
10	34-62000-00	Spacer, 5/16 Diameter x 1/2 Inch Long	6
11	58-00511-08	Washer, Nylon 10	10
12	34-00360-09	Nut, Hex, Self-Locking, #10-32	10
13	68-08298-00	Panel, Circuit Breaker, Painted	1
14	22-01594-00	Terminal Block, Power	1
15	10-00247-05	Circuit Breaker, 40 Amp	4
16	10-00247-03	Circuit Breaker, 15 Amp	1
17	34-62055-00	Bolt, Hex Head, W/Split Lock Washer, 1/4-20 x 5/8 Inch Long	8
18	34-00655-08	Bolt, Hex Head, 1/4-20 x 1 Inch Long, SST	2
19	34-06179-03	Bolt, Hex Head, Slotted, SEMS, #10-24 x 1 Inch Long, SST	10
20	34-00662-09	Washer, Flat, #10, SST	10
21	34-00667-09	Nut, Hex, Self-Locking, #10-24, SST	10
22	34-00662-11	Washer, Plain, 1/4, SST	10
23	34-00663-11	Washer, Split Lock, 1/4 Inch, SST	2



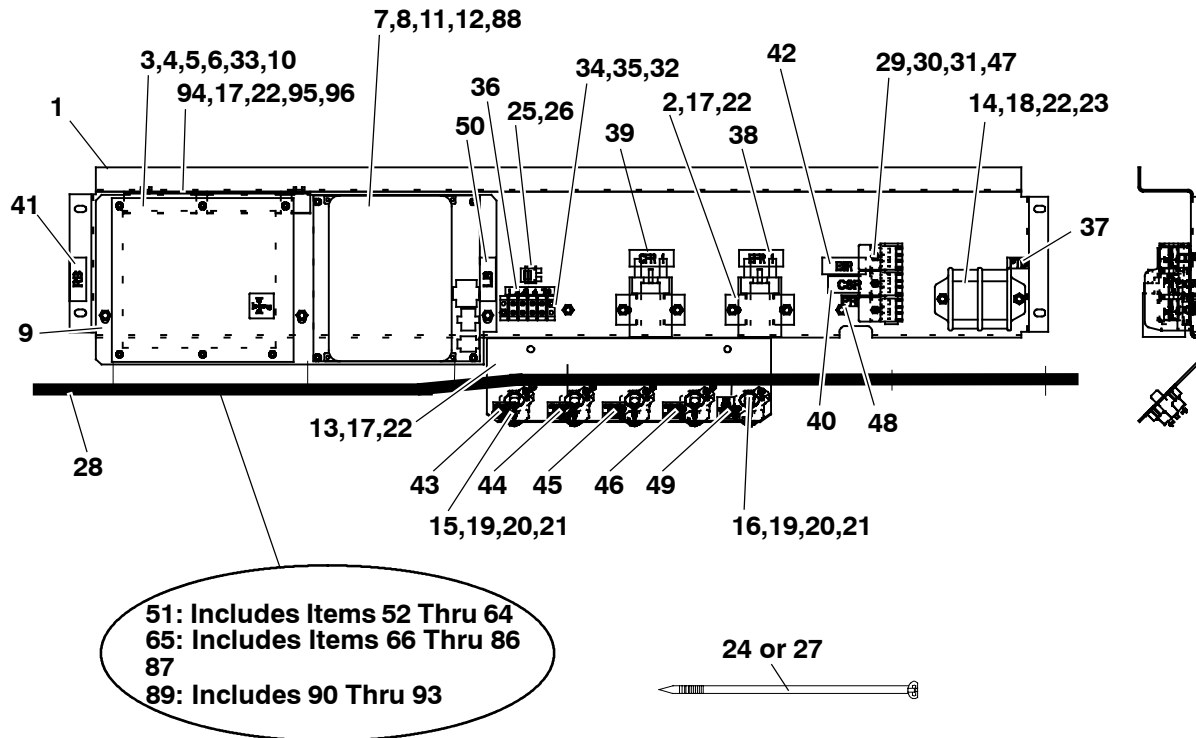
3.2 Electrical Control Panel - Model 68RM35-610-3, -4, -5 (Continued)			
Item	Part Number	Description	Qty
24	22-02336-04	Fuse, 10 Amp	1
25	22-01449-00	Clip, Fuse	1
26	58-00079-02	Wire Tie, Self-Locking, 7.50 Inches, Black	40
27	58-00079-00	Sta-Strap, Cable Clamp, 0 - 4.00 Inch Diameter, Black	7
28	02-00137-02	Tubing, 0.92 Inch ID x 75.00 Feet Long, Black	4
29	34-00662-08	Washer, Plain, #8, SST	9
30	34-00663-08	Washer, Split Lock, #8, SST	9
31	34-06264-04	Screw, Hex Head, Slotted, #8-32 x 1/2 Inch Long, SST	7
32	34-06264-06	Screw, Hex Head Slotted, #8-32 x 3/4 Inch Long, SST	2
33	42-62005-00	Gasket, Relay Board	1
34	22-01563-05	Terminal Block, 4 Pole	1
35	22-01612-00	Jumper, Terminal Block	1
36	62-62040-04	Label, TB 1-4	1
37	62-62041-26	Label, PTB	1
38	62-62041-20	Label, EFR1	1
39	62-62041-21	Label, EFR2	1
40	62-62041-11	Label, CFR1	1
41	62-62041-16	Label, CSR	1
42	62-62041-27	Label, RB	1
43	62-62041-13	Label, CFR2	1
44	62-62043-06	Label, CB5 (40A) Cond Motor	1
45	62-62043-04	Label, CB4 (40A) Cond Motor	1
46	62-62043-02	Label, CB3 (40A) Evap Motor	1
47	62-62043-00	Label, CB2 (40A) Evap Motor	1
48	10-00286-13	Relay, 24 VDC, 50 Amp, w/ Diode, SPDT	1
49	62-62041-25	Label, Power Relay	1
50	62-62044-00	Label, CB1 (15A) Boost Pump	1
51	62-62041-24	Label, LB	1
52	10-00309-00	Relay, Evaporator Speed, 24VDC	1
53	10-00314-00	Cover, Relay	1
54	58-00065-27	Grommet, .062 ID x 0.88 Hole, .125 inch Groove	1
55	68-62275-00	Bracket Assembly, Relay, Painted	1
56	22-02923-00	Wire Harness, Control (PM & WF) - Includes:	1
57	22-50143-00	Connector, 15 Position, (J4)	1
58	22-50135-00	Connector, Female 3 Position (JP3)	1
59	22-50136-00	Connector, Female 6 Position (JP4)	1
60	22-50137-00	Connector, Female 5 Position (JP5)	1
61	22-50138-00	Connector, Female 4 Position (JP6)	1
62	22-50152-00	Terminal, Socket, Female (J4)	2
63	22-50148-00	Terminal, Female (JP3, JP4, JP5 & JP6)	16
64	22-50346-00	Terminal, Female (JP5)	3
65	AC201-600	Diode, In-Line, 6 AMP	1
66	22-01566-01	Terminal, Female (18-20 AWG)	13
67	22-01139-05	Terminal, Ring, #8, 14-16 AWG, Blue	2
68	22-02393-00	Terminal, Male (14-16 AWG)	1



3.2 Electrical Control Panel - Model 68RM35-610-3, -4, -5 (Continued)			
Item	Part Number	Description	Qty
69	22-02393-01	Terminal, Male (18-20 AWG)	4
70	22-02924-00	Wire Harness, Control (PM & WF) - Includes:	1
71	22-50144-00	Connector, Housing Kit, 4 Position (J1)	1
72	22-50153-00	Terminal, Socket, Female (J1)	4
73	CM983-618	Connector, 24 Position (J6)	1
74	22-50152-00	Terminal, Socket, Female (J6)	24
75	22-50135-00	Connector, Female, 3 Position (JP7)	1
76	22-50148-00	Terminal, Female (JP7, JP8 & JP9)	8
77	22-50134-00	Connector, Female, 2 Position (JP8)	1
78	22-50275-00	Connector, Female, 3 Position (JP9)	1
79	22-50346-00	Terminal, Female (JP7) (JP9)	4
80	22-50347-00	Terminal, Female (JP7) (JP9)	4
81	22-50122-05	Terminal, Female (Relay Connector)	4
82	AC201-901	Connector, Relay Socket	1
83	AC201-931	Lock, Connector, Secondary	1
84	22-50359-00	Terminal, Socket (J1)	1
85	22-02336-04	Fuse, 10 AMP	1
86	22-02338-02	Holder, Fuse	1
87	12-00495-02SV	Thermistor Sensor Kit, Return Air (Replacement For 12-00305-04)	1
88	22-02336-25	Fuse, 20AMP	1
89	22-02338-03	Holder, Fuse, With Cap	1
90	22-02930-00	Wire Harness, Power	1
91	34-62000-01	Spacer, 5/16 Diameter x 1/4 Inch Long	4
92	22-00121-27	Terminal, Ring, #10, 22-16 AWG, Red Vinyl	2
93	22-02925-00	Wire Harness, Remote, 36.00 Inches Long - Includes:	1
94	22-01613-06	Connector, Male, 3 Position, Black	1
95	22-01613-07	Lock, Secondary, 3 Position, Blue	1
96	22-01613-15	Connector, Socket, #16	3
97	22-50152-00	Terminal, Female Receptacle (16-26 AWG)	3
98	68-08301-00	Angle, Painted	1
99	58-00523-00	Extrusion, Neoprene, U-Shaped	A/R
100	02-00025-00	Adhesive, Rubber, Yellow, 5 oz. Tube	A/R



3.3 Electrical Control Panel - Model 68RM35-610-6, -7, -8, -9



Kit 91-01182-01 C

Item	Part Number	Description	Qty
1	68-08300-00	Panel Assembly, Electrical, Painted	1
2	10-00300-02	Contact, 28VDC, SPNO	2
3	12-00371-01	Board, Relay - Includes:	1
4	10-00286-11	Relay, 24 VDC, 40 Amp, SPDT	11
5	10-00286-12	Relay, 24 VDC, 40 Amp, SPDT (K13 Only)	1
6	22-02336-06	Fuse, 15 Amp	3
7	12-00693-00	Module, Controller Logic, w/ CAN, 24VDC - Includes:	1
8	22-50236-00	Harness, Ribbon Cable, 26 Pin (Logic Module To Relay Board)	1
9	68-08299-00	Panel Assembly, Relay Board & Logic Module, Painted	1
10	34-62000-00	Spacer, 5/16 Diameter x 1/2 Inch Long	6
11	58-00511-08	Washer, Nylon 10	10
12	34-00360-09	Nut, Hex, Self-Locking, #10-32	10
13	68-08298-00	Panel, Circuit Breaker, Painted	1
14	22-01594-00	Terminal Block, Power	1
15	10-00247-05	Circuit Breaker, 40 Amp	4
16	10-00247-03	Circuit Breaker, 15 Amp	1
17	34-62055-00	Bolt, Hex Head, W/Split Lock Washer, 1/4-20 x 5/8 Inch Long	9
18	34-00655-08	Bolt, Hex Head, 1/4-20 x 1 Inch Long, SST	2
19	34-06179-03	Bolt, Hex Head, Slotted, SEMS, #10-24 x 1 Inch Long, SST	10
20	34-00662-09	Washer, Flat, #10, SST	10
21	34-00667-09	Nut, Hex, Self-Locking, #10-24, SST	10
22	34-00662-11	Washer, Plain, 1/4, SST	11
23	34-00663-11	Washer, Split Lock, 1/4 Inch, SST	2



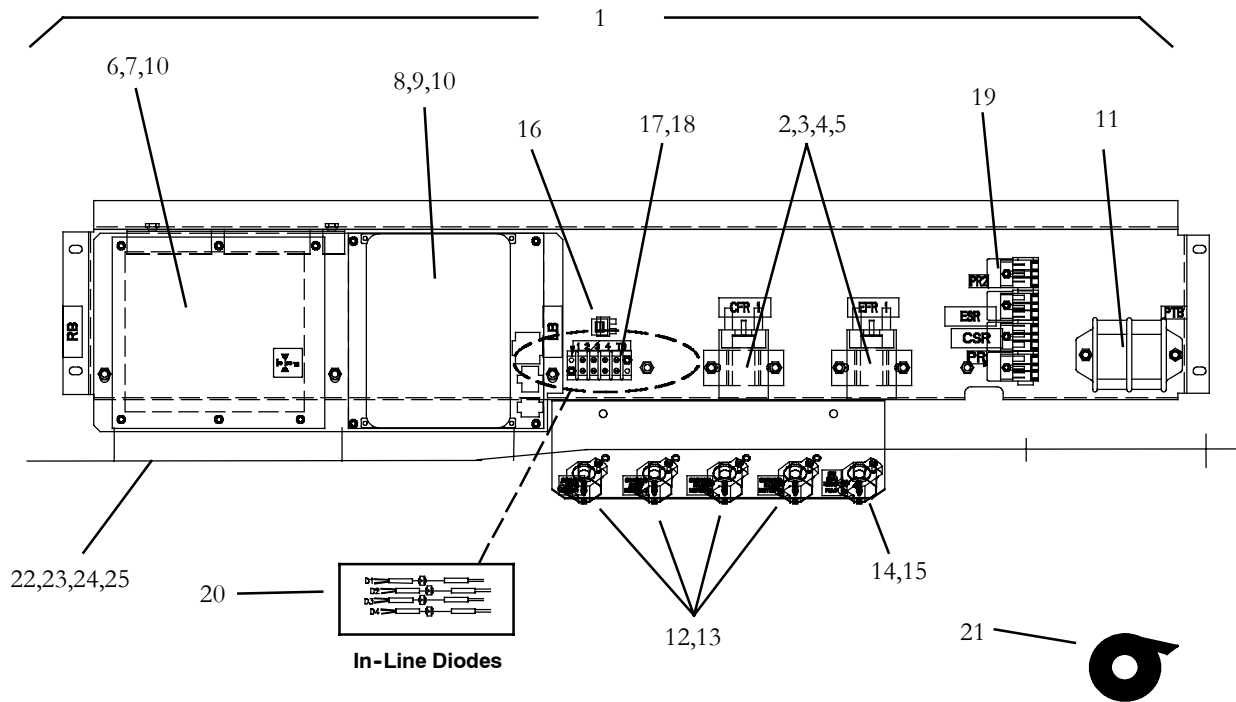
3.3 Electrical Control Panel - Model 68RM35-610-6, -7, -8, -9 (Continued)			
24	58-00079-02	Wire Tie, Self-Locking, 7.50 Inches, Black	40
25	22-02336-04	Fuse, 10 Amp	1
26	22-01449-00	Clip, Fuse	1
27	58-00079-00	Sta-Strap, Cable Clamp, 0 - 4.00 Inch Diameter, Black	7
28	02-00137-02	Tubing, 0.92 Inch ID x 75.00 Feet Long, Black	4
29	34-00662-08	Washer, Plain, #8, SST	3
30	34-00663-08	Washer, Split Lock, #8, SST	3
31	34-06264-04	Screw, Hex Head, Slotted, #8-32 x 1/2 Inch Long, SST	3
32	34-06264-06	Screw, Hex Head Slotted, #08-32 x 3/4 Inch Long, SST	2
33	42-62005-00	Gasket, Relay Board	1
34	22-01563-05	Terminal Block, 4 Pole	1
35	22-01612-00	Jumper, Terminal Block	1
36	62-62040-04	Label, TB 1-4	1
37	62-62041-26	Label, PTB	1
38	62-62041-20	Label, EFR1	1
39	62-62041-11	Label, CFR1	1
40	62-62041-16	Label, CSR	2
41	62-62041-27	Label, RB	1
42	62-62041-22	Label, ESR	1
43	62-62043-06	Label, CB5 (40A) Cond Motor	1
44	62-62043-04	Label, CB4 (40A) Cond Motor	1
45	62-62043-02	Label, CB3 (40A) Evap Motor	1
46	62-62043-00	Label, CB2 (40A) Evap Motor	1
47	10-00286-13	Relay, 24 VDC, 50 Amp, w/ Diode, SPDT	3
48	62-62041-25	Label, Power Relay	1
49	62-62044-00	Label, CB1 (15A) Boost Pump	1
50	62-62041-24	Label, LB	1
51	22-02923-00	Wire Harness, Interface, CAN, MCHX, ESS - Includes:	1
52	22-50143-00	Connector, 15 Position (J4)	1
53	22-50135-00	Connector, Female, 3 Position (JP3)	1
54	22-50136-00	Connector, Female, 6 Position (JP4)	1
55	22-50137-00	Connector, Female, 5 Position (JP5)	1
56	22-50138-00	Connector, Female, 4 Position (JP6)	1
57	22-50152-00	Terminal, Socket, Female (J4)	2
58	22-50148-00	Terminal, Female (JP3, JP4, JP5 & JP6)	16
59	22-50346-00	Terminal, Female (JP5)	3
60	AC201-600	Diode, In-Line, 6 AMP	1
61	22-01566-01	Terminal, Female (18-20 AWG)	13
62	22-01139-05	Terminal, Ring, #8, 14-16 AWG, Blue	2
63	22-02393-00	Terminal, Male (14-16 AWG)	1
64	22-02393-01	Terminal, Male (18-20 AWG)	4



3.3 Electrical Control Panel - Model 68RM35-610-6, -7, -8, -9 (Continued)			
65	22-02927-00	Wire Harness, Control (Brushless) - Includes:	1
66	22-50144-00	Connector, Housing Kit, 4 Position (J1)	1
67	22-50153-00	Terminal, Socket, Female (J1)	4
68	CM983-618	Connector, 24 Position (J6)	1
69	22-50152-00	Terminal, Female Receptacle (16-26 AWG)	24
70	22-50135-00	Connector, Female, 3 Position (JP3)	1
71	22-50148-00	Terminal, Female (J7, J8 & J9)	2
72	22-50134-00	Connector, Female, 2 Position (J8)	1
73	22-50275-00	Connector, Female, 3 Position (J9)	1
74	22-50122-05	Terminal, Female (Relay Connector)	4
75	22-50122-15	Terminal, Female	8
76	22-50346-00	Terminal, Female (JP7) (JP9)	4
77	22-50347-00	Terminal, Female (JP7) (JP9)	4
78	AC201-901	Connector, Relay Socket	1
79	AC201-931	Lock, Connector, Secondary	1
80	22-50359-00	Terminal, Socket (J1)	1
81	AC201-600	Diode, In-Line, 6 AMP	2
82	22-02336-04	Fuse, 10 Amp	1
83	22-02338-02	Holder, Fuse	1
84	12-00495-02SV	Thermistor Kit, Ambient Air Sensor (Replacement For 12-00305-04)	1
85	22-02336-25	Fuse, 20 AMP	1
86	22-02338-03	Holder, Fuse, With Cap	1
87	22-62080-00	Harness, Power	1
88	34-62000-01	Spacer, 5/16 Diameter x 1/4 Inch Long	4
89	22-02925-00	Wire Harness, Remote, 36.00 Inches Long - Includes:	1
90	22-01613-06	Connector, Male, 3 Position, Black	1
91	22-01613-07	Lock, Secondary, 3 Position, Blue	1
92	22-01613-15	Connector, Socket, #16	3
93	22-50152-00	Terminal, Female Receptacle (16-26 AWG)	3
94	68-08301-00	Angle, Painted	1
95	58-00523-00	Extrusion, Neoprene, U-Shaped	A/R
96	02-00025-00	Adhesive, Rubber, Yellow, 5oz Tube	A/R



3.4 Electrical Control Panel - Model 68RM35-610-10



SEE SECTION 3.5.1 for Detailed Electrical Components

91-01182-03

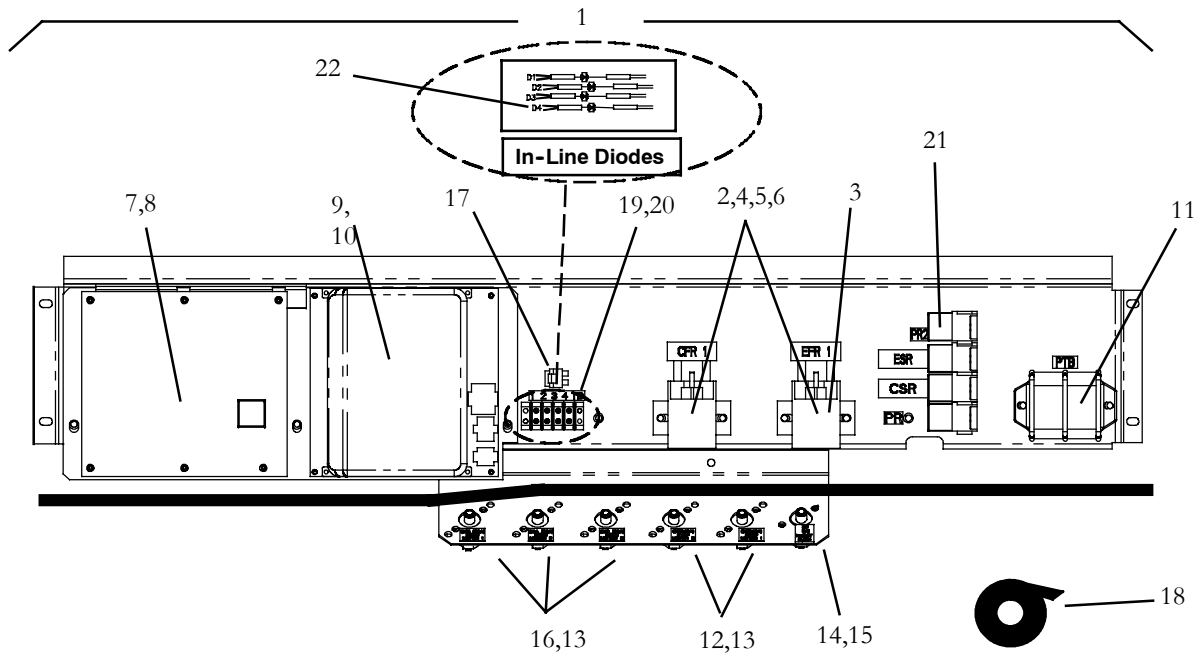
Item	Part Number	Description	Qty
1	91-01182-03	Panel Assembly	NSA
2	10-00300-02	Contactors, 28VDC, SPNO	2
3	22-00872-03	Terminal, Ring, (8 AWG-5/16" Stud)	2
4	22-00119-05	Terminal, Ring, (10 AWG- 5/16" Stud)	4
5	22-00121-27	Terminal, Ring (16-22 AWG- #10 Stud)	6
6	12-00371-01	Board, Relay, (See Section 3.5.1 for Detailed Components)	1
7	34-62000-00	Spacer, 5/16 Diameter x .5 Inch Long	6
8	12-00693-00	Module, Controller Logic, w/ CAN, 24VDC, (See Section 3.5.1 for Detailed Components)	1
9	34-62000-01	Spacer, 5/16 Diameter x .25 Inch Long	1
10	58-00511-08	Washer, Nylon 10	10
11	22-01594-00	Terminal Block, Power	1
12	10-00247-05	Circuit Breaker, 40 Amp	4
13	22-01140-05	Terminal, Ring (12-10 AWG- #8 Stud)	8
14	10-00247-03	Circuit Breaker, 15 Amp	1
15	22-01139-05	Terminal, Ring (16-14 AWG- #8 Stud)	2
16	22-02336-04	Fuse, 10A	1
17	22-01563-05	Terminal Block, 4 Pole	1
18	22-01612-00	Terminal Block, Jumpers	1
19	10-00286-13	Relay, SPDT W/Diode	4
20	AC201-600	Diode, In- Line 6 AMP	5
21	02-00137-02	Tape, Harness, 32MM Width	A/R
22	22-02923-00	Harness, Interface (REFERENCE ONLY)	NSA



3.4 Electrical Control Panel - Model 68RM35-610-10			
Item	Part Number	Description	Qty
23	Y25-00019-00	Harness, Control (REFERENCE ONLY)	NSA
24	22-62080-00	Harness, Power (REFERENCE ONLY)	NSA
25	22-02925-00	Harness, Remote CAN +/- (REFERENCE ONLY)	NSA



3.5 Electrical Control Panel - Model Y13-R3501-00, -01 & -02



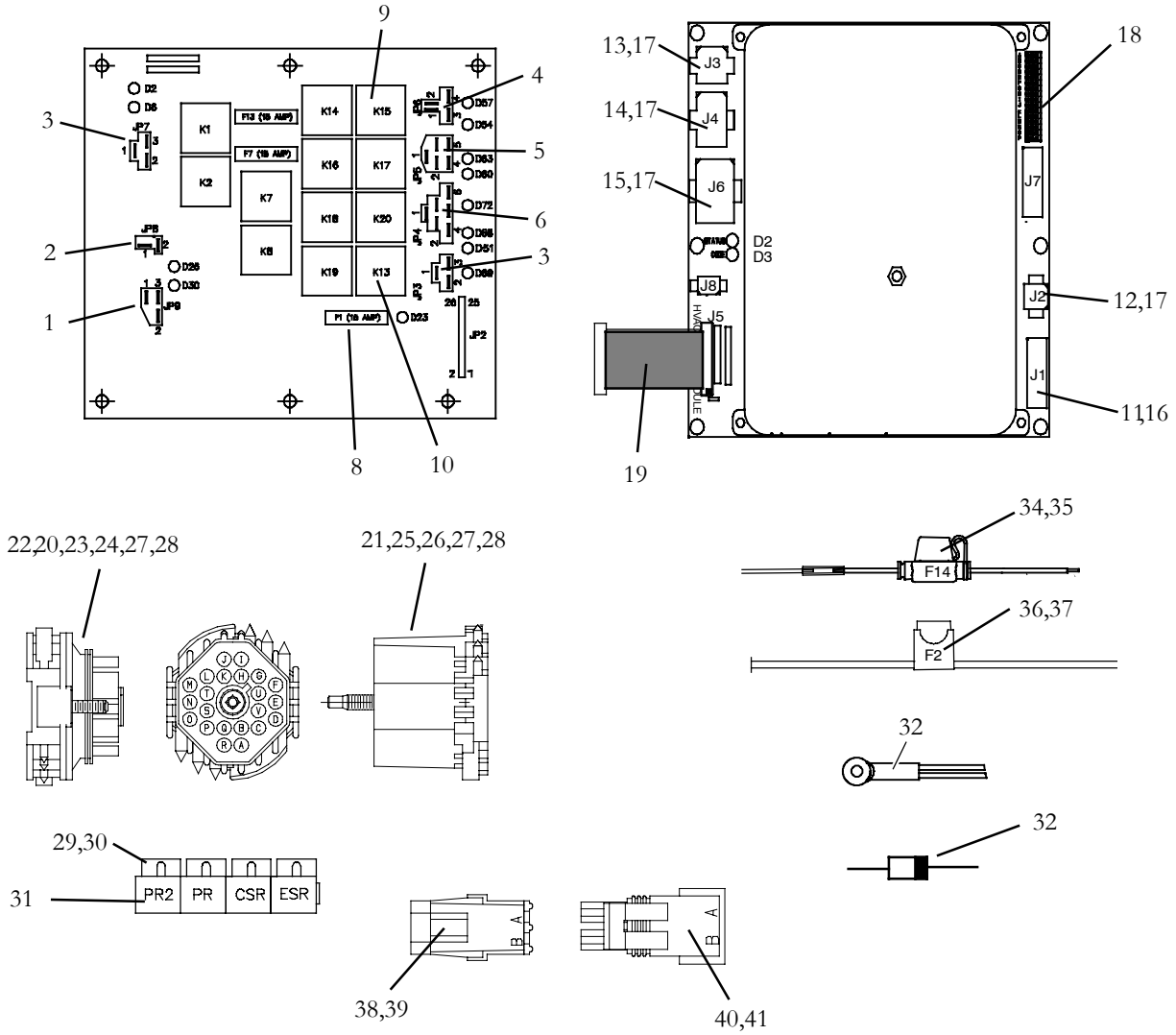
SEE SECTION 3.5.1 for Detailed Electrical Components

91-01182-04

Item	Part Number	Description	Qty
1	91-01182-04	Panel Assembly	NSA
2	10-00300-02	Contactor, 28VDC, SPNO (Qty of 1 on Y13-R3501-01 Only)	2
3	Y35-00021-00	Contactor, 28VDC, SPNO (Used on the Y13-R3501-01 ONLY)	1
4	22-00872-03	Terminal, Ring, (8 AWG-5/16" Stud)	2
5	22-00119-05	Terminal, Ring, (10 AWG- 5/16" Stud)	4
6	22-00121-27	Terminal, Ring (16-22 AWG- #10 Stud)	6
7	12-00371-01	Board, Relay (See Section 3.5.1 for Detailed Components)	1
8	34-62000-00	Spacer, 5/16 Diameter x .5 Inch Long	6
9	12-00693-02	Board, Logic, W/CAN, 24VDC, (See Section 3.5.1 for Detailed Components)	1
	12-00693-10	Board, Logic, W/CAN, 24VDC, (Used on the Y13-R3501-01 ONLY)	1
10	34-62000-01	Spacer, 1/4 " Length	4
11	22-01594-00	Terminal Block, Power	1
12	10-00247-05	Circuit Breaker, 40 AMP	2
	10-00307-02	Circuit Breaker, 50 AMP (Used on the Y13-R3501-01 ONLY)	2
13	22-01140-05	Terminal, Ring (12-10 AWG- #8 Stud)	10
14	10-00247-03	Circuit Breaker, 15 AMP	1
15	22-01139-05	Terminal, Ring (16-14 AWG- #8 Stud)	2
16	10-00247-00	Circuit Breaker, 20 AMP	3
17	22-02336-04	Fuse, 10 AMP	1
18	02-00137-02	Tape, Harness, 32MM Width	A/R
19	22-01563-05	Terminal Block, 4 Pole	1
20	22-01612-00	Terminal Block, Jumper	1
21	10-00286-13	Relay, SPDT W/Diode	4
22	AC201-600	Diode, In- Line 6 AMP	5



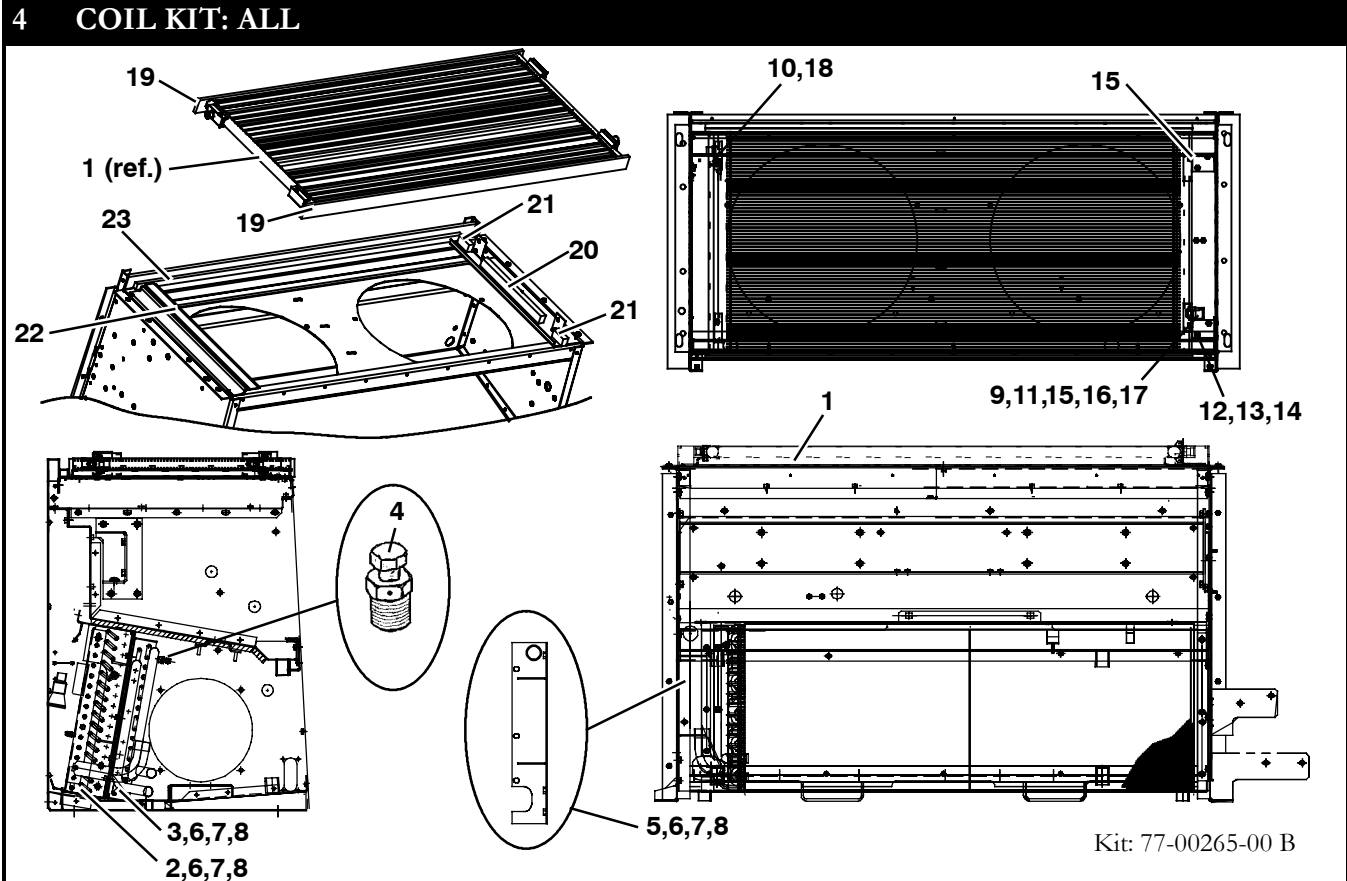
3.5.1 Electrical Interface Connectors 68RM35-610-10 & Y13-R3501-00, -01 & -02



Item	Part Number	Description	Qty
1	22-50275-00	Connector, Female, 3 Position (JP9)	1
2	22-50134-00	Connector, Female, 2 Position (JP8)	1
3	22-50135-00	Connector, Female, 3 Position (JP3 & JP7)	2
4	22-50138-00	Connector, Female, 4 Position (JP6)	1
5	22-50137-00	Connector, Female, 5 Position (JP5)	1
6	22-50136-00	Connector, Female, 6 Position (JP4)	1
7	22-50148-00	Terminal, Female, (JP3, JP4, JP5, JP6, JP7, JP8, JP9)	A/R
8	22-02336-06	Fuse, 15 AMP	3
9	10-00286-11	Relay, 24 VDC, 40 AMP, SPDT	11
10	10-00286-12	Relay, 24 VDC, 40 AMP, SPDT (K13 Only)	1
11	22-50144-00	Connector, 4 Position (J1)	1
12	22-50145-00	Connector, 4 Position (J2)	1
13	22-50146-00	Connector, 9 Position (J3)	1
14	22-50143-00	Connector, 15 Position (J4)	1



3.5.1 Electrical Interface Connectors 68RM35-610-10 & Y13-R3501-00, -01 & -02 (Continued)			
Item	Part Number	Description	Qty
15	CM983-618	Connector, 24 Position (J6)	1
16	22-50153-00	Terminal, Socket, Female (J1)	3
17	22-50152-00	Terminal, Socket, Female (J2,J3,J4,J6)	23
18	12-00558-80	Jumpers	A/R
19	22-50236-00	Harness, Ribbon Cable 26 Pin (Logic Module to Relay Board)	1
20	22-01565-00	Connector, 22 Pin Female	1
21	22-50078-09	Connector, 22 Pin Male	1
22	22-50078-09A	Lock, Secondary	4
23	22-01566-01	Terminal, Female (18-20 AWG)	A/R
24	22-01566-00	Terminal, Female (14-16 AWG)	A/R
25	22-02393-01	Terminal, Male (18-20 AWG)	A/R
26	22-02393-00	Terminal, Male (14-16 AWG)	A/R
27	22-02394-01	Seal, Cable	A/R
28	22-01565-01	Plug, Terminal Cavity	A/R
29	AC201-901	Connector, Relay base	4
30	AC201-931	Lock, Relay	4
31	10-00286-09	Relay, SPDT, 24VDC	4
32	AC201-600	Diode, In Line 6 AMP	A/R
33	12-00495-02SV	Thermistor Kit	1
34	22-02338-03	Fuse Holder, W/Cap (F14)	1
35	22-02336-25	Fuse, 20 AMP (F14)	1
36	22-02336-04	Fuse, 10 AMP	1
37	22-02338-02	Fuse Holder, (F2)	1
38	22-02392-00	Connector, 2 Position Male, Black	1
	22-02392-01	Connector, 2 Position Male, Gray	1
39	22-02393-01	Terminal, Male (18-20 AWG)	2
40	22-01585-00	Connector, 2 Position Female, Black	1
	22-01585-02	Connector, 2 Position Female, Gray	1
41	22-01566-01	Terminal, Female (18-20 AWG)	2



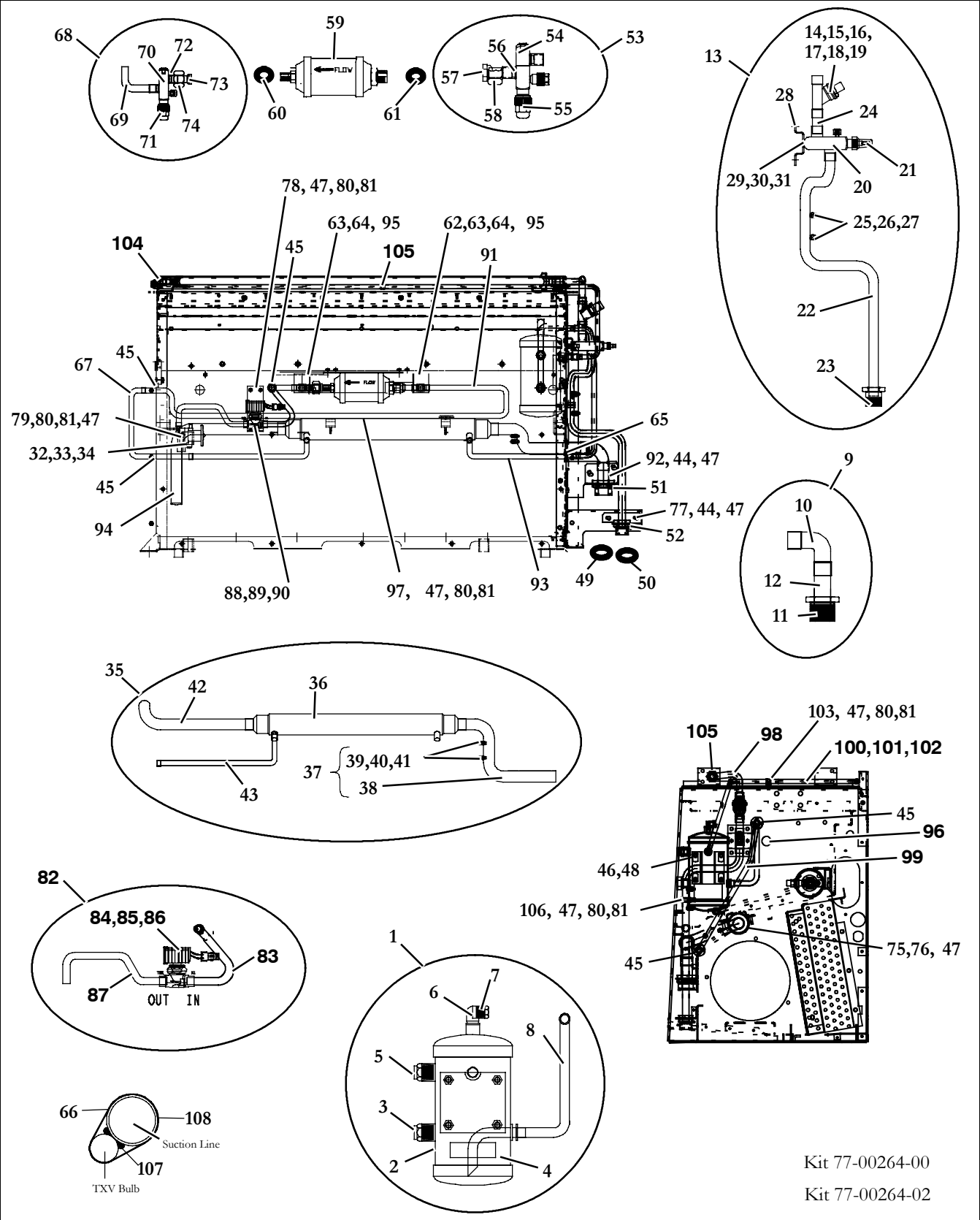
Kit: 77-00265-00 B

Item	Part Number	Description	Qty
1	08-67026-02	Coil Assembly, Condenser, MCHX (Aluminum)	1
2	08-62015-00	Coil Assembly, Evaporator (Aluminum/Copper)	1
3	AC101-626	Coil Assembly, Heater (Aluminum/Copper) - Includes:	1
4	40-00081-00	Fitting, Air Vent, 1/8 MPT, Brass	1
5	86-62209-00	Bracket Assembly, Coil Support, Evaporator	1
6	34-00792-06	Screw, Cap, Hex Head, 5/16-18 x 3/4 Inch Long, SST	16
7	34-00662-12	Washer, Flat, 5/16 Inch, SST	16
8	34-00663-12	Washer, Split Lock, 5/16 Inch, SST	16
9	34-60068-20	Screw, Hex Head, SEMS, M6 x 20mm Long, SST	4
10	34-00300-14	Screw, Cap, Hex Head, 1/4-20 x 1 3/4 Inch Long	2
11	68-08215-00	Bracket, Coil Mounting, Painted	2
12	34-00655-06	Screw, Cap, Hex Head, 1/4-20 x 3/4 Inch Long, SST	4
13	34-00663-11	Washer, Split Lock, 1/4 Inch, SST	4
14	34-00662-11	Washer, Plain, 1/4 Inch, SST	4
15	34-01266-20	Screw, Hex Head, Slotted, SEMS, M6 x 20mm Long, SST	4
16	AC801-202	O-Ring, 0.426 ID x 0.070 Thick	1
17	42-00243-28	O-Ring, 0.630 ID x 0.079 Thick	1
18	34-00666-11	Washer, Plain, 1/4	2
19	42-01275-00	Foam, EPDM 4014-E, 0.38 Thick x 1.75 x 47.50 Inches Long, Adhesive	2
20	42-01275-01	Foam, EPDM 4014-E, 1.00 Thick x 0.75 x 12.00 Inches Long, Adhesive	1
21	42-01275-02	Foam, EPDM 4014-E, 1.00 Thick x 0.75 x 2.00 Inches Long, Adhesive	2
22	42-01275-03	Foam, EPDM 4014-E, 0.13 Thick x 1.25 x 21.50 Inches Long, Adhesive	1
23	42-01275-04	Foam, EPDM 4014-E, 0.50 Thick x 0.75 x 47.50 Inches Long, Adhesive	1



5 REFRIGERATION PIPING KITS

5.1 Refrigerant Piping Kits - Models 68RM35-610-1, -3, -5, -7, -8 & -10



Kit 77-00264-00

Kit 77-00264-02



5.1 Refrigerant Piping Kits - Models 68RM35-610-1, -3, -5, -7, -8 & -10 (Continued)			
Item	Part Number	Description	Qty
1	81-62012-00	Receiver Tank And Tubing Assembly - Includes:	1
2	AC901-580	Label, Sightglass Wet/Dry	1
3	AC101-203	Sightglass, Indicator, Moisture, 7/8-14	1
4	65-01093-00	Receiver Assembly, Plugged, Painted	1
5	14-00220-06	Sight Glass, Receiver (Red Ball Float)	1
6	40-00060-03	Elbow, Street, 90 Degree, 3/8 FPT x 3/8 MPT	1
7	14-01032-01	Plug, Fusible, Safety, 3/8 NPTF	1
8	56-62064-00	Tube, Liquid, Bent, 5/8 OD x .040 Wall Copper	1
9	81-62011-00	Tube Assembly, Suction, R-134a - Includes:	1
10	40-00071-19	Elbow, 90 Degree, Long Radius, Copper, 1-3/8 ODS	1
11	40-00491-04	Fitting, ORS, 1-3/8 ODF x 2-12	1
12	56-62120-00	Tube, Suction, Straight, 1-3/8 OD x .055 Wall x 2.84 Inches Long, Copper	1
13	81-62010-00	Tube Assembly, Discharge, R-134a - Includes: (Models 610-1, -3, -5, -7 & -8 Only)	NSA
	81-62010-01	Tube Assembly, Discharge, R-134a - Includes: (Models 610-10 Only)	NSA
14	14-00281-04	Valve, Check, 7/8 ODF - Includes: (Models 610-1, -3, -5, -7 & -8 Only)	1
	Y26-00021-05	Valve, Check, 7/8 ODF - Includes: (Models 610-10 Only)	1
15	14-50050-01	Spring And Piston/Seat Assembly - Includes: (Models 610-1, -3, -5, -7 & -8 Only)	1
	14-50050-00	Spring And Piston/Seat Assembly - Includes: (Models 610-10 Only)	1
16	73-50006-00	Spring, Check, Valve, SST, (Models 610-1, -3, -5, -7 & -8 Only)	1
	Y26-00021-50	Spring, Check, Valve, Phosphor Bronze, (Models 610-10 Only)	1
17	16-03301-00	Gasket, Check Valve, (ALL Models)	1
18	14-50093-00	Disk, Spacer, Check Valve Cap, (ALL Models)	1
19	14-50051-00	Cap, Check Valve, (ALL Models)	1
20	40-00501-07	Valve, King, Brass, 7/8 ODF	1
21	40-00501-50	Cap, King Valve, Service Part	1
22	56-62055-00	Tube, Discharge, Bent, 7/8 OD x .045 Wall Copper	1
23	40-00491-00	Fitting, ORS, 7/8 x 1 7/16-12	1
24	99TS1445CK002100	Tube, Discharge, Straight, 7/8 OD x .045 Wall x 2.12 Inches Long, Copper	1
25	40-01124-00	Body, Valve, Schrader, Brass 1/4 SAE Flare - Includes:	2
26	14-00351-00	Core, Access Valve (Nickel Plated)	1
27	DD19CA061	Cap, Seal, Flare, 1/4 Inch	1
28	68RM55-124P	Bracket Assembly, Valve Mounting, Painted	1
29	34-00855-04	Screw, Cap Hex Head, 3/8 -24 x 1/2 Inch Long, SST	1
30	34-00662-13	Washer, Flat, 3/8 Inch, SST	1
31	34-00663-13	Washer, Split Lock, 3/8 Inch, SST	1
32	56-62207-00	Tube Assembly, Equalizer, 1/4 OD x .028 Wall Copper	1
33	66U1-1214-5	Body, Flange, Thermal Expansion Valve, 5/8 ODF Inlet x 7/8 ODF Outlet	1
34	14-01104-35	Valve, Thermal Expansion, Less Flange, 5.5 Tons, R134A	1
35	81-62015-00	Heat Exchanger And Tubing Assembly, Liquid/Suction - Includes:	1
36	AC101-900	Heat Exchanger, Liquid/Suction	1
37	81-62013-00	Tube Assembly, Suction Heat Exchanger - Includes:	1
38	56-62057-00	Tube, Suction, Bent, 1-3/8 OD x .055W Copper	1



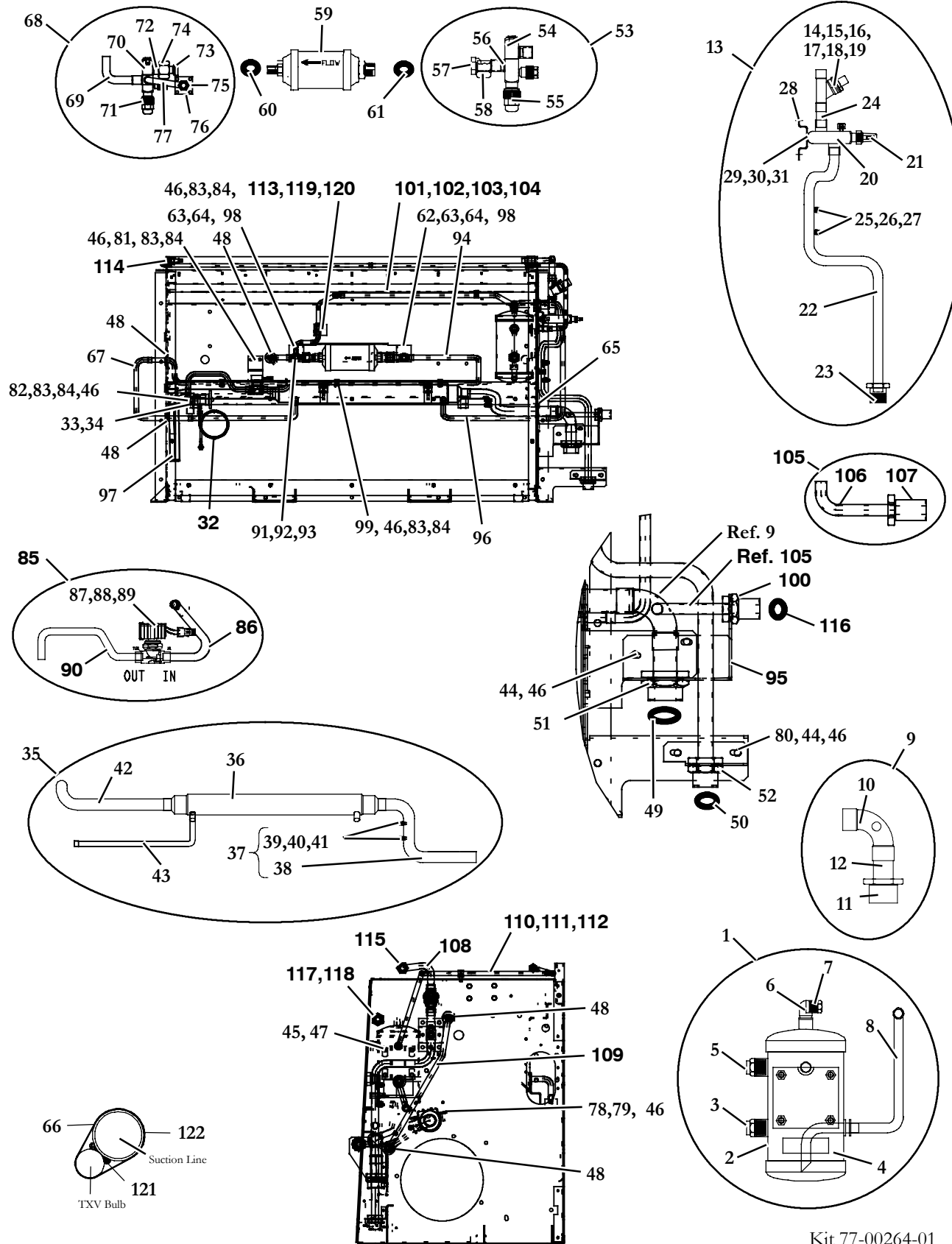
5.1 Refrigerant Piping Kits - Models 68RM35-610-1, -3, -5, -7, -8 & -10 (Continued)			
Item	Part Number	Description	Qty
39	40-01124-00	Body, Valve, Schrader, Brass 1/4 SAE Flare - Includes:	2
40	14-00351-00	Core, Access Valve (Nickel Plated)	1
41	DD19CA061	Cap, Seal, Flare, 1/4 Inch	1
42	56-62158-00	Tube, Suction, Bent, 1-3/8 OD x .055W Copper	1
43	56-03838-00	Tube, Liquid, Bent, 5/8 OD x .040 Wall Copper	1
44	34-00655-08	Screw, Cap Hex Head, 1/4-20 x 1.00 Inch Long, SST	4
45	58-00065-85	Grommet, 0.88 ID x 1.12 Hole, 0.090 Inch Groove	5
46	34-00807-08	Screw, Cap Hex Head, 3/8 -16 x 1.00 Inch Long, SST	4
47	34-00662-11	Washer, Flat, 1/4 Inch, SST	20
48	34-00662-13	Washer, Flat, 3/8 Inch, SST	4
49	42-00243-02	O-Ring, 1.484 ID x 0.139 Thick	1
50	42-00243-00	O-Ring, 0.921 ID x 0.139 Thick	1
51	34-06088-02	Nut, Hex Head, ORS 1.50 x 2.00-12, Plated Steel	1
52	34-06088-00	Nut, Hex Head, ORS 0.88 x 1.43 -12, Plated Steel	1
53	81-62053-00	Valve And Liquid Tubing Assembly - Includes:	1
54	40-00501-05	Valve, King, Brass, 5/8 ODF	1
55	40-00501-50	Cap, King Valve, Service Part	1
56	56-00143-75	Tube, Straight, 5/8 OD x .040W Copper x 1.62 Inches Long	1
57	40-00503-04	Collar, Tube - 5/8 ORS, Nickel Plated Steel	1
58	34-06121-04	Nut, Hex, ORS Braze (1-3/16-12 Threads)	1
59	14-00320-00	Drier, Filter 3/4 ORS x 5/8 ORS - Includes:	1
60	42-00243-03	O-Ring, .614 ID x .070 Thick	1
61	42-00243-11	O-Ring, .739 ID x .070 Thick	1
62	68-62649-00	Bracket, Valve, Painted	1
63	34-00799-04	Screw, Cap Hex Head, 5/16-24 x 1/2 Inch Long, SST	2
64	34-00662-12	Washer, Flat, 5/16 Inch, SST	2
65	58-00065-88	Grommet, 0.88 ID x 1.12 Hole, 0.094 Inch Groove	1
66	44-00045-03	Clamp, Hose, Worm Type (7/8 - 1-3/4)	2
67	56-62163-00	Tube, Liquid, Bent, 5/8 OD x .040 Wall Copper	1
68	81-62081-00	Valve And Liquid Tubing Assembly - Includes:	1
69	56-03843-06	Tube, Liquid, Bent, 5/8 OD x .040 Wall Copper	1
70	40-00501-05	Valve, King, Brass, 5/8 ODF	1
71	40-00501-50	Cap, King Valve, Service Part	1
72	56-00143-74	Tube, Straight, 5/8 OD x .040W Copper x 1.84 Inches Long	1
73	40-00503-03	Collar, Tube - 5/8 ORS, Brass	1
74	34-06121-03	Nut, Hex, ORS, Braze (1-14 Threads)	1
75	68-07995-00	Bracket, Heat Exchanger, SST	2
76	34-00667-61	Nut, Hex, Self-Locking, 1/4-20, SST	4
77	68-62307-00	Bracket, Support, Discharge Tube, Painted	1
78	68-08267-00	Bracket, Support	1
79	68-62638-01	Bracket, Support, TXV, Painted	1
80	34-00663-11	Washer, Split Lock, 1/4 Inch, SST	10
81	34-00655-06	Screw, Cap Hex Head, 1/4-20 x 3/4 Inch Long, SST	12
82	81-02692-00	Tube Assembly, Liquid - Includes:	1
83	56-03993-00	Tube, Liquid, Bent, 5/8 OD x .040 Wall Copper	1



5.1 Refrigerant Piping Kits - Models 68RM35-610-1, -3, -5, -7, -8 & -10 (Continued)			
Item	Part Number	Description	Qty
84	14-00236-00	Valve, Solenoid, 5/8 ODF x 7/8 ODM - Includes:	1
85	14-00236-50	Coil, Solenoid Valve, 24 VDC	1
86	14-00236-51	Repair Kit, Solenoid Valve	1
87	56-62141-00	Tube, Liquid, Bent, 5/8 OD x .040 Wall Copper, Solenoid To TXV	1
88	34-00663-08	Washer, Split Lock, #8, SST	2
89	34-06264-04	Screw, Hex Head, Slotted With Washer, #8-32 x 1/2 Inch Long, SST	2
90	34-00662-08	Washer, Flat, #8, SST	2
91	56-62164-00	Tube, Liquid, Bent, 5/8 OD x .040 Wall Copper	1
92	68-62306-00	Bracket, Support, Suction Tube, Painted	1
93	56-03838-00	Tube, Liquid, Bent, 5/8 OD x .040 Wall Copper	1
94	56-62157-00	Tube, Suction, Bent, 1-3/8 OD x .055 Wall Copper	1
95	34-00663-12	Washer, Split Lock, 5/16 Inch, SST	2
96	58-00616-03	Plug, Hole, 1.09 Diameter x 0.12 Panel	1
97	34-00373-07	Clamp, Tube, Insulated, 5/8 Inch	4
98	56-03954-00	Tube, Discharge, Bent, 3/4 OD x .049 Wall Copper	1
99	56-03955-00	Tube, Liquid, Bent, 5/8 OD x .040 Wall Copper	1
100	81-02694-00	Tube Assembly, Liquid - Includes:	1
101	56-03956-00	Tube, Liquid, Bent, 1/2 OD x .035 Wall Copper	1
102	56-03991-00	Tube, Liquid, Bent, 1/2 OD x .035 Wall Copper	1
103	34-00373-05	Clamp, Tube, 1/2 Inch OD, With Neoprene Cushion, SST	1
104	40-00090-06	Reducer Fitting, 5/8 x 1/2	1
105	42-00243-28	O-Ring, 0.630 ID x 0.079 Thick	1
106	44-01134-14	Clamp, Tube, With Rubber Cushion, 0.88 Inch OD, SST	1
107	02-00010-01	Grease, Thermomastic, 6cc Syringe	1
108	42-00032-00	Tape, Insulation, Pressite, 2.00 x 30.00 Feet Long	1



5.2 Refrigerant Piping Kits - Models 68RM35-610-2, -4, -6, -9



Kit 77-00264-01



5.2 Refrigerant Piping Kits - Models 68RM35-610-2, -4, -6, -9			
Item	Part Number	Description	Qty
1	81-62012-00	Receiver Tank And Tubing Assembly - Includes:	1
2	AC901-580	Label, Sightglass Wet/Dry	1
3	AC101-203	Sightglass, Indicator, Moisture, 7/8-14	1
4	65-01093-00	Receiver Assembly, Plugged, Painted	1
5	14-00220-06	Sight Glass, Receiver (Red Ball Float)	1
6	40-00060-03	Elbow, Street, 90 Degree, 3/8 FPT x 3/8 MPT	1
7	14-01032-01	Plug, Fusible, Safety, 3/8 NPTF	1
8	56-62064-00	Tube, Liquid, Bent, 5/8 OD x .040 Wall Copper	1
9	81-62011-01	Tube Assembly, Suction, R-134a, In-Dash - Includes:	1
10	40-00071-19	Elbow, 90 Degree, Long Radius, Copper, 1-3/8 ODS	1
11	40-00491-04	Fitting, ORS, 1-3/8 ODF x 2-12	1
12	56-62120-00	Tube, Suction, Straight, 1-3/8 OD x .055 Wall x 2.84 Inches Long, Copper	1
13	81-62010-00	Tube Assembly, Discharge, R-134a - Includes:	1
14	14-00281-04	Valve, Check, 7/8 ODF - Includes:	1
15	14-50050-01	Spring And Piston/Seat Assembly - Includes:	1
16	73-50006-00	Spring, Check, Valve, SST	1
17	16-03301-00	Gasket, Check Valve	1
18	14-50093-00	Disk, Spacer, Check Valve Cap	1
19	14-50051-00	Cap, Check Valve	1
20	40-00501-07	Valve, King, Brass, 7/8 ODF	1
21	40-00501-50	Cap, King Valve, Service Part	1
22	56-62055-00	Tube, Discharge, Bent, 7/8 OD x .045 Wall Copper	1
23	40-00491-00	Fitting, ORS, 7/8 x 1 7/16-12	1
24	99TS1445CK002100	Tube, Discharge, Straight, 7/8 OD x .045 Wall x 2.12 Inches Long, Copper	1
25	40-01124-00	Body, Valve, Schrader, Brass 1/4 SAE Flare - Includes:	2
26	14-00351-00	Core, Access Valve (Nickel Plated)	1
27	DD19CA061	Cap, Seal, Flare, 1/4 Inch	1
28	68RM55-124P	Bracket Assembly, Valve Mounting, Painted	1
29	34-00855-04	Screw, Cap Hex Head, 3/8 -24 x 1/2 Inch Long, SST	1
30	34-00662-13	Washer, Flat, 3/8 Inch, SST	1
31	34-00663-13	Washer, Split Lock, 3/8 Inch, SST	1
32	56-62207-00	Tube Assembly, Equalizer, 1/4 OD x .028 Wall Copper	1
33	66U1-1214-5	Body, Flange, Thermal Expansion Valve, 5/8 ODF Inlet x 7/8 ODF Outlet	1
34	14-01104-35	Valve, Thermal Expansion, Less Flange, 5.5 Tons, R134A	1
35	81-62015-00	Heat Exchanger And Tubing Assembly, Liquid/Suction - Includes:	1
36	AC101-900	Heat Exchanger, Liquid/Suction	1
37	81-62013-00	Tube Assembly, Suction Heat Exchanger - Includes:	1
38	56-62057-00	Tube, Suction, Bent, 1-3/8 OD x .055W Copper	1
39	40-01124-00	Body, Valve, Schrader, Brass 1/4 SAE Flare - Includes:	2
40	14-00351-00	Core, Access Valve (Nickel Plated)	1
41	DD19CA061	Cap, Seal, Flare, 1/4 Inch	1
42	56-62158-00	Tube, Suction, Bent, 1-3/8 OD x .055W Copper	1
43	56-03838-00	Tube, Liquid, Bent, 5/8 OD x .040 Wall Copper	1
44	34-00655-08	Screw, Cap Hex Head, 1/4-20 x 1.00 Inch Long, SST	4



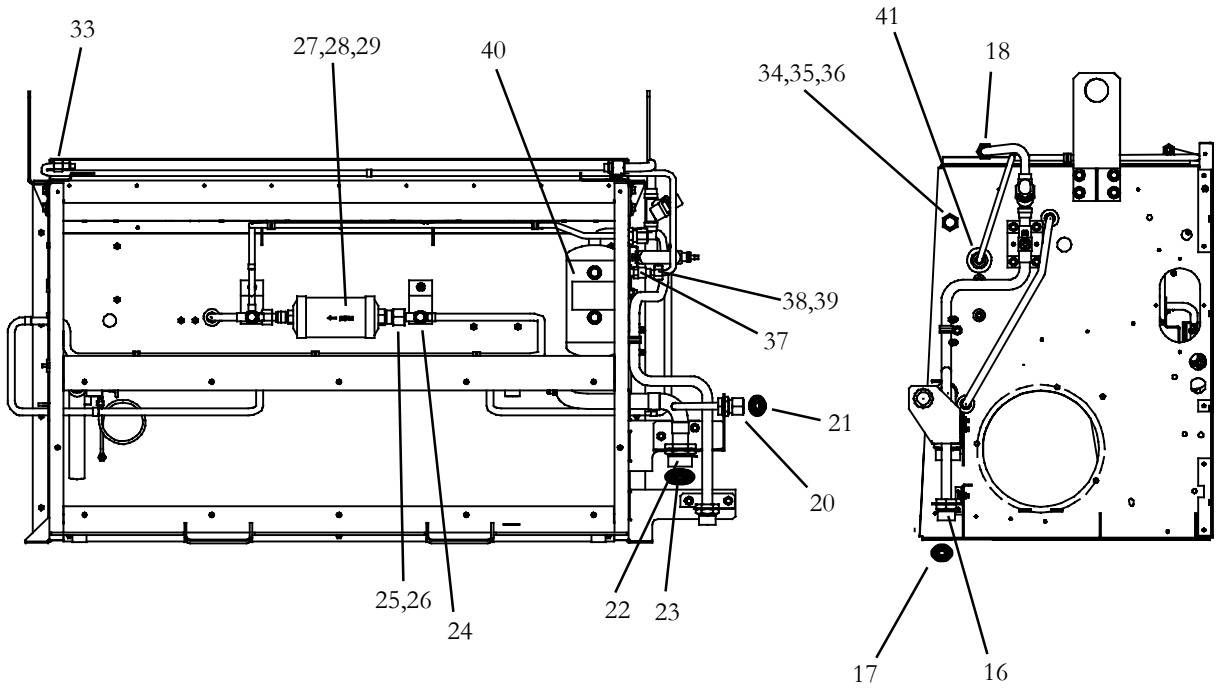
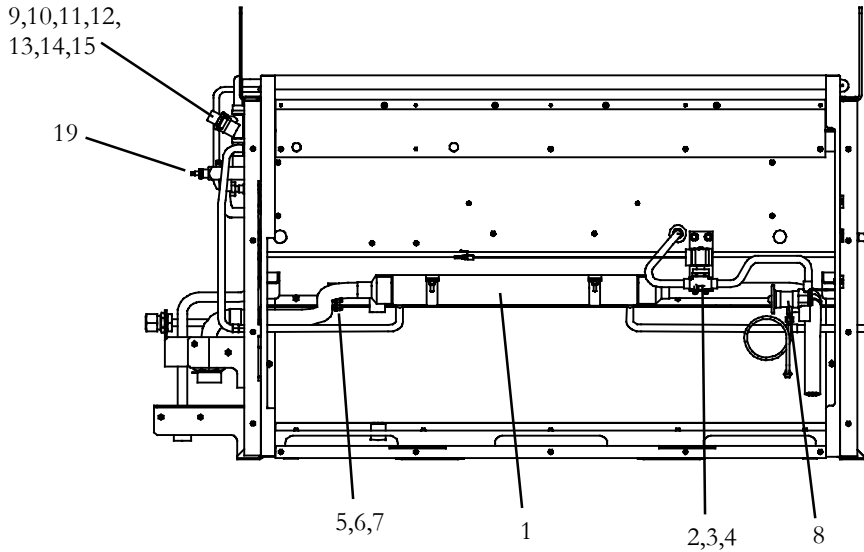
5.2 Refrigerant Piping Kits - Models 68RM35-610-2, -4, -6, -9 (Continued)			
Item	Part Number	Description	Qty
45	34-00807-08	Screw, Cap Hex Head, 3/8 -16 x 1.00 Inch Long, SST	4
46	34-00662-11	Washer, Flat, 1/4 Inch, SST	20
47	34-00662-13	Washer, Flat, 3/8 Inch, SST	4
48	58-00065-85	Grommet, 0.88 ID x 1.12 Hole, 0.090 Inch Groove	5
49	42-00243-02	O-Ring, 1.484 ID x 0.139 Thick	1
50	42-00243-00	O-Ring, 0.921 ID x 0.139 Thick	1
51	34-06088-02	Nut, Hex Head, ORS 1.50 x 2.00-12, Plated Steel	1
52	34-06088-00	Nut, Hex Head, ORS 0.88 x 1.43 -12, Plated Steel	1
53	81-62053-00	Valve And Liquid Tubing Assembly - Includes:	1
54	40-00501-05	Valve, King, Brass, 5/8 ODF	1
55	40-00501-50	Cap, King Valve, Service Part	1
56	56-00143-75	Tube, Straight, 5/8 OD x .040W Copper x 1.62 Inches Long	1
57	40-00503-04	Collar, Tube - 5/8 ORS, Nickel Plated Steel	1
58	34-06121-04	Nut, Hex, ORS Braze (1-3/16-12 Threads)	1
59	14-00320-00	Drier, Filter 3/4 ORS x 5/8 ORS - Includes:	1
60	42-00243-03	O-Ring, .614 ID x .070 Thick	1
61	42-00243-11	O-Ring, .739 ID x .070 Thick	1
62	68-62649-00	Bracket, Valve, Painted	1
63	34-00799-04	Screw, Cap Hex Head, 5/16-24 x 1/2 Inch Long, SST	2
64	34-00662-12	Washer, Flat, 5/16 Inch, SST	2
65	58-00065-88	Grommet, 0.88 ID x 1.12 Hole, 0.094 Inch Groove	1
66	44-00045-03	Clamp, Hose, Worm Type (7/8 - 1-3/4)	2
67	56-62163-00	Tube, Liquid, Bent, 5/8 OD x .040 Wall Copper	1
68	81-62087-00	Valve And Liquid Tubing Assembly - Includes:	1
69	56-03843-06	Tube, Liquid, Bent, 5/8 OD x .040 Wall Copper	1
70	40-62028-00	Valve, King, Brass, 5/8 ODF	1
71	40-00501-50	Cap, King Valve, Service Part	1
72	56-00143-74	Tube, Straight, 5/8 OD x .040W Copper x 1.84 Inches Long	1
73	40-00503-03	Collar, Tube - 5/8 ORS, Brass	1
74	34-06121-03	Nut, Hex, ORS, Braze (1-14 Threads)	1
75	40-62032-02	Fitting, Swivel Nut, 1/2 x 3/4-16 M.I.O.	1
76	68-62492-00	Plate, Swivel Nut, Brass	1
77	56-62093-00	Tube, Bent, Liquid, In-Dash, 1/2 OD x .035 Wall Copper	1
78	68-07995-00	Bracket, Heat Exchanger, SST	2
79	34-00667-61	Nut, Hex, Self-Locking, 1/4-20, SST	4
80	68-62307-00	Bracket, Support, Discharge Tube, Painted	1
81	68-08267-00	Bracket, Support, Solenoid Valve	1
82	68-62638-01	Bracket, Support, TXV	1
83	34-00663-11	Washer, Split Lock, 1/4 Inch, SST	10
84	34-00655-06	Screw, Cap Hex Head, 1/4-20 x 3/4 Inch Long, SST	12
85	81-02692-00	Tube Assembly, Liquid - Includes:	1
86	56-03993-00	Tube, Liquid, Bent, 5/8 OD x .040 Wall Copper	1
87	14-00236-00	Valve, Solenoid, 5/8 ODF x 7/8 ODM - Includes:	1
88	14-00236-50	Coil, Solenoid Valve, 24 VDC	1
89	14-00236-51	Repair Kit, Solenoid Valve	1



5.2 Refrigerant Piping Kits - Models 68RM35-610-2, -4, -6, -9 (Continued)			
Item	Part Number	Description	Qty
90	56-62141-00	Tube, Liquid, Bent, 5/8 OD x .040 Wall Copper, Solenoid To TXV	1
91	34-00663-08	Washer, Split Lock, #8, SST	2
92	34-06264-04	Screw, Hex Head, Slotted With Washer, #8-32 x 1/2 Inch Long, SST	2
93	34-00662-08	Washer, Flat, #8, SST	2
94	56-62164-00	Tube, Liquid, Bent, 5/8 OD x .040 Wall Copper	1
95	68-08228-00	Bracket, Suction Valve, ESS	2
96	56-03838-00	Tube, Liquid, Bent, 5/8 OD x .040 Wall Copper	1
97	56-62157-00	Tube, Suction, Bent, 1-3/8 OD x .055W Copper	1
98	34-00663-12	Washer, Split Lock, 5/16 Inch, SST	2
99	34-00373-07	Clamp, Tube, Insulated, 5/8 Inch Diameter	4
100	34-06088-06	Nut, Hex Jam ORS - 12S 1-3/16-12	1
101	81-02690-00	Tube, Assembly, Liquid, ESS Cooler - Includes:	1
102	56-03995-00	Tube, Liquid, Bent, 1/2 OD x .038 Wall Copper	1
103	40-00090-06	Reducer Fitting, 5/8 x 1/2	1
104	40-00491-15	Fitting, ORS, 5/8 ODF x 1.00-14	1
105	81-02679-00	Tube Assy, Suction, ESS - Includes:	1
106	56-03963-00	Tube, Suction, Bent, 5/8OD x .040W Copper (ESS)	1
107	40-00491-19	Fitting, ORS, 5/8 ODF x 1.18 -12 (ESS Cooler)	1
108	56-03954-00	Tube, Discharge, Bent, 3/4 OD x .049 Wall Copper	1
109	56-03955-00	Tube, Liquid, Bent, 5/8 OD x .040 Wall Copper	1
110	81-02694-00	Tube Assembly, Liquid - Includes:	1
111	56-03956-00	Tube, Liquid, Bent, 1/2 OD x .035 Wall Copper	1
112	56-03991-00	Tube, Liquid, Bent, 1/2 OD x .035 Wall Copper	1
113	34-00373-05	Clamp, Tube, 1/2 Inch OD, With Neoprene Cushion, SST	4
114	40-00090-06	Reducer Fitting, 5/8 x 1/2	1
115	42-00243-28	O-Ring, 0.630 ID x 0.079 Thick	3
116	42-00243-11	O-Ring, .739 ID x .070 Thick	1
117	42-00243-03	O-Ring, .614 ID x .070 Thick	1
118	34-06088-04	Nut, Hex, ORS 1.00-14	1
119	68-08275-00	Bracket, Liquid Tube, ESS, Painted	1
120	34-00667-11	Nut, Hex, Self-Locking, 1/4-20, SST	1
121	02-00010-01	Grease, Thermomastic, 6cc Syringe	1
122	42-00032-00	Tape, Insulation, Presssite, 2.00 x 30.00 Feet Long	1



5.3 Refrigerant Piping Kits - Model Y13-R3501-00, -01 & -02



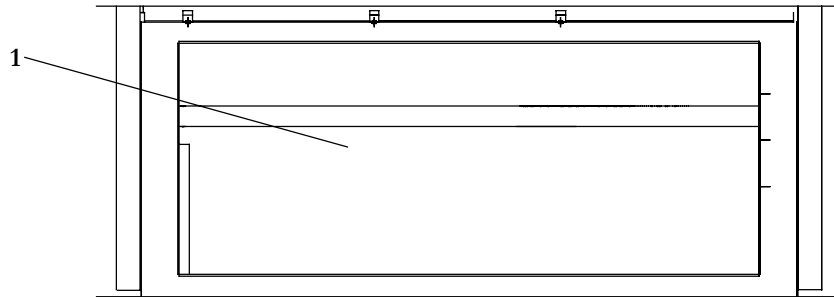
Kit 77-00264-03 & -04



5.3 Refrigerant Piping Kit - Model Y13-R3501-00, -01 & -02 (CONTINUED)			
Item	Part Number	Description	Qty
1	AC101-900	Heat Exchanger, Liquid/Suction	1
2	14-00236-00	Solenoid Valve, Liquid Line, Includes:	1
3	14-00236-50	Coil, Solenoid	1
4	14-00236-51	Kit, Repair	1
5	40-01124-00	Body, Valve, Schrader, Brass 1/4 SAE Flare - Includes:	4
6	14-00351-00	Core, Access Valve	4
7	DD19CA061	Cap, Seal, Flare, 1/4 Inch	4
8	14-01104-35	Valve, Thermal Expansion, 134a, (Less Flange)	1
9	Y26-00021-05	Valve, Check	1
10	Y26-00021-99	Repair Kit, Check Valve: Includes	1
11	NSS	Spring	1
12	NSS	Gasket	1
13	NSS	Cap Spacer Disk	1
14	NSS	Stem/Seat Sub-Assembly	1
15	NSS	Cap	1
16	40-00491-00	ORS, Refrigerant Fitting, Discharge, 1-7/16" x 12	1
	40-00491-18	ORS, Refrigerant Fitting, Discharge, 1-11/16" x 12 (Y13-R3501-01 ONLY)	1
17	42-00243-00	O-Ring, .921 ID x .139 THK	1
	42-00243-01	O-Ring, 1.171 ID x .139 THK (Y13-R3501-01 ONLY)	1
18	40-67014-03	Nut, Hex, ORP 3/4	1
19	40-00501-07	Valve, King	1
20	40-00491-19	ORS, Refrigerant Fitting, ESS, 1-3/16" x 12	1
21	42-00243-11	O-Ring, .739 ID x .07 THK	1
22	40-00491-04	ORS, Refrigerant Fitting, Suction, 2.00" x 12	1
23	42-00243-02	O-Ring, 1.484 ID x .139 THK	1
24	40-00501-05	Valve, King, 5/8" ODF	1
25	40-00503-04	Collar, Brass, ORS O-ring Seal, #12	1
26	34-06121-04	Nut, Hex, ORS Braze Shoulder, 1-3/16" x 12	1
27	14-00320-00	Filter Drier, 3/4 ORS x 5/8 ORS - Includes:	1
28	42-00243-03	O-Ring, .614 ID x .070 Thick	1
29	42-00243-11	O-Ring, .739 ID x .070 Thick	1
30	40-00503-03	Collar, Brass, ORS O-ring Seal, #10	1
31	34-06121-03	Nut, Hex, ORS Braze Shoulder, 1" x 14	1
32	40-62028-00	Valve, King, 5/8" ODF	1
33	40-67014-01	Nut, Hex, ORP 1/2"	1
34	40-00521-02	Cap, Fitting	1
35	42-00243-03	O-Ring, 1.046 ID x .07 THK	1
36	34-06088-04	Nut, ORS Refrigerant Fitting	1
37	40-62032-01	Nut, Swivel Fitting, Male Insert O-Ring (Thread x Tube), 7/8" x 14 UNF-2A	1
38	40-62125-10	Nut, Adapter, Female Insert O-Ring, #10	2
39	AC801-203	O-Ring, 5/8" HN BR	2
40	Y26-00006-00	Receiver Tank	1
41	58-62223-01	Grommet, Rubber Webbed	1



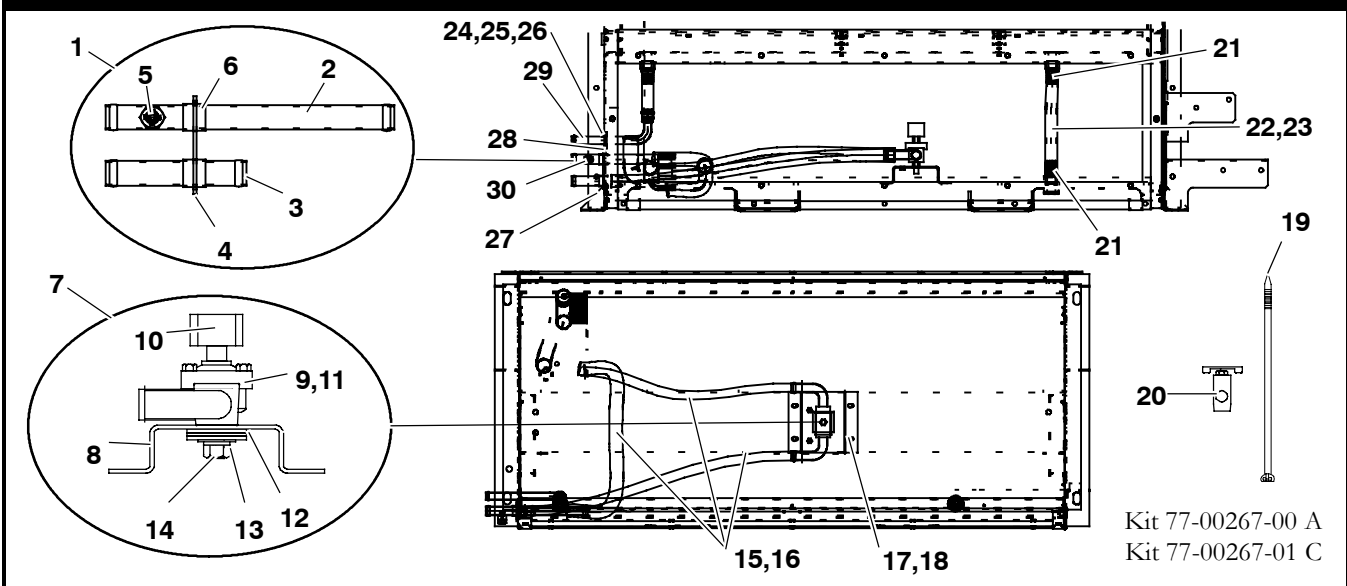
6 AIR FILTERS



Item	Part Number	Description	Qty
1	38-00547-00	Filter, Air, 1.00 Thick x 16.50 x 46.00 Inches (Washable)	1
	38-67005-04	Filter, Air, 1.00 Thick x 16.50 x 46.00 Inches, Permatron (Used in Y13-R3501-01 Only)	1



7 HEATER CONNECTION ASSEMBLY



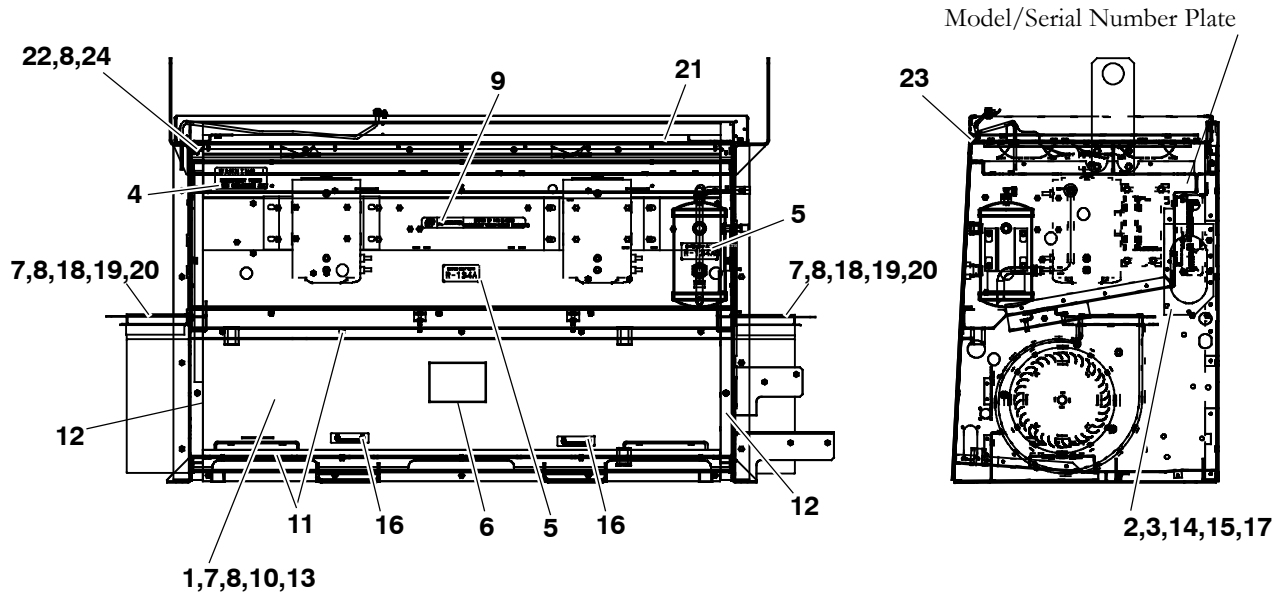
Item	Part Number	Description	Qty
1	81-62114-01	Heater Plate Assembly, Heater Coil Connections - Includes:	1
2	56-03953-00	Tube, Heater, 7/8 OD x .045W Copper, Bead End	1
3	56-03953-01	Tube, Heater, 7/8 OD x .045W Copper, Bead End	1
4	68-62260-00	Plate, Heater Connections	1
5	DE06DA051	Adapter, Tube Fitting, 1/4 FPT x 1/4 ODF	1
6	66CH1-1212-8	Coupling, Braze, 7/8 ID x 3/4 Inch Long	2
7	68RM45-193	Coolant Valve Assembly - Includes:	1
8	68RM45-343	Bracket, Mounting, Painted	1
9	14-00194-00	Valve, Coolant, Solenoid, 7/8 OD Water Bead - Includes:	1
10	14-01110-02	Coil, Solenoid Valve, 24 VDC	1
11	14-50036-00	Repair Kit, Solenoid Valve	1
12	34-00666-17	Washer, Plain, 5/8, SST	3
13	34-06212-15	Washer, Plain, 7/16, SST	1
14	34-00665-14	Nut, Hex, 7/16-20, SST	1
15	AC301-244	Hose, Heater, 7/8 ID, EPDM (Sold In 50 Feet Roll)	1
	Y37-00007-00	Hose, Heater, 7/8 ID, 4 Ply Silicone (Used in Unit Y13-R3501-01) (12 ft. Length)	1
16	44-00318-00	Clamp, Hose, Constant Torque, Range: 0.81 - 1.50 Inches SST	6
17	34-00655-08	Bolt, Hex Head, 1/4-20 x 1.00 Inch Long, SST	4
18	34-00662-11	Washer, Plain, 1/4 Inch, SST	4
19	58-00079-02	Wire Tie, Self-Locking, 7.50 Inches, Black	5
20	66U1-3041	Valve, Petcock, 1/4-18 MPT	1
21	40-00541-02	Fitting, Hose Barb, 1 Inch ID X 3/4 Inch MPT	4
22	AC301-236	Hose, Drain, 1 Inch ID x 36.00 Inches Long	2
23	58-00712-17	Clamp, Hose, HC 1250 Black	4
24	34-01305-03	Screw, Pan Head, Cross Recessed, #06-32 x 3/4 Inch Long, SST	8
25	34-00662-07	Washer, Plain, #06, SST	16
26	34-00667-07	Nut, Hex, Self-Locking, #06-32, SST	8
27	62-62041-00	Label, IN	1
28	62-62041-01	Label, OUT	1



7 HEATER CONNECTION ASSEMBLY (Continued)			
29	81-02689-00	Tube Assembly, Bent, With Mounting Flange, 3/4 OD x .049W Copper	1
30	02-50003-00	Adhesive, Loctite, #242	1



8 LABELS - GASKETS



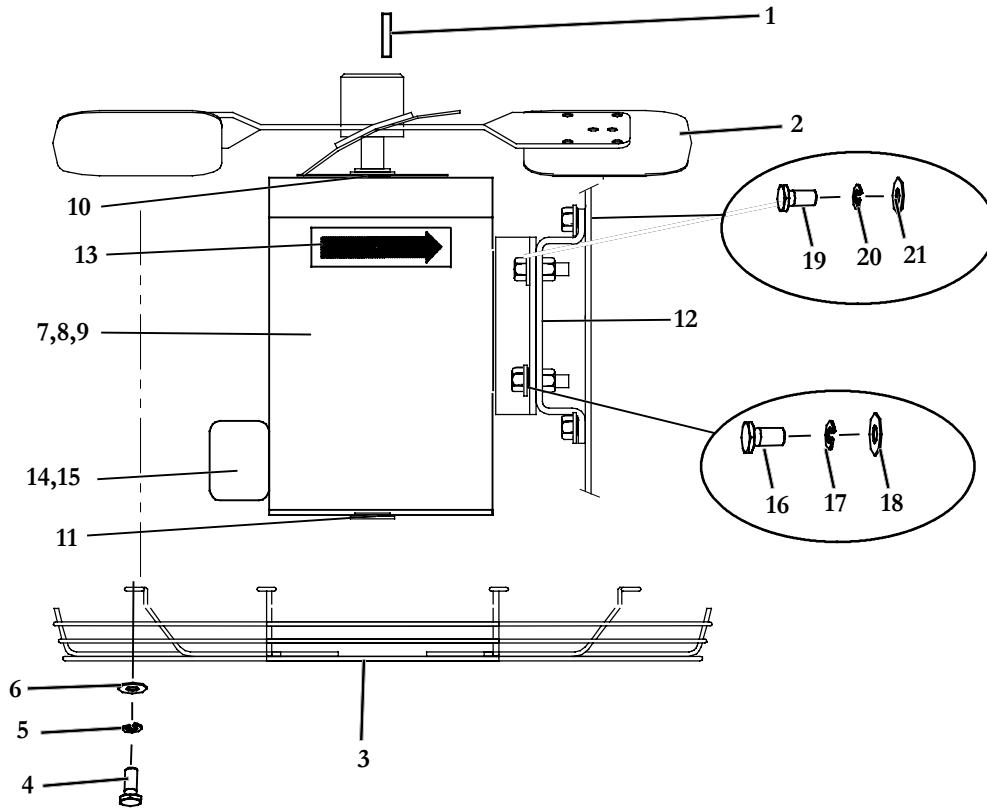
Kit: 77-00268-00 C

Item	Part Number	Description	Qty
1	68-62233-00	Panel, Access, Painted	1
2	68-62228-00	Cover, Fresh Air, Painted	1
3	42-62008-00	Gasket, Fresh Air Cover, Neoprene	1
4	62-62001-00	Label, Warning, Disconnect Power	1
5	62-62039-00	Label, Charge Only With R-134a	2
6	62-62037-00	Label, MCC	1
7	34-00655-06	Bolt, Hex Head, 1/4 -20 x 3/4 Inch Long, SST	20
8	34-00662-11	Washer, Flat, 1/4 Inch, SST	24
9	62-62045-00	Label, Warning, Fan Blades & Disconnect Power	1
10	68RM35-1163-9	Insulation, Foam, 1.00 Thick x 9.94 x 48.8 Inches	1
11	68RM35-1303	Insulation, Neoprene, 0.25 Thick x 1.25 x 51.50 Inches	2
12	42-62009-00	Insulation, Neoprene, 0.25 Thick x 1.13 x 10.81 Inches	2
13	34-00663-11	Washer, Split Lock, 1/4 Inch, SST	20
14	34-00662-09	Washer, Flat, #10, SST	4
15	34-00360-09	Nut, Hex, Self-Locking, #10-32	4
16	62-62003-00	Label, "Fork Lift Here"	2
17	02-00134-00	Tape, Double Sided, Adhesive, 2.00 Inches X 180.00 Feet Long	A/R
18	42-01232-00	Gasket, Blower Duct, Adhesive Backed	4
19	86-03149-00	Duct Assembly, Adapter, With Flange, Painted	2
20	42-01273-00	Gasket, Blower Duct, Adhesive Backed	2
21	34-01317-00	Screw, Pan Head, Phillips, #10-16 x 3/4 Inch Long, Black	9
22	86-03158-00	Mount Assembly, MCHX Coil, RM35	1
23	02-62001-00	Sealant, Adhesive Caulk, Black	A/R
24	34-00667-61	Nut, Hex, Self-Locking, 1/4-20, SST	8



9 CONDENSER FAN MOTOR ASSEMBLIES

9.1 Condenser Fan Motor Assemblies Common Parts - All 68RM Models



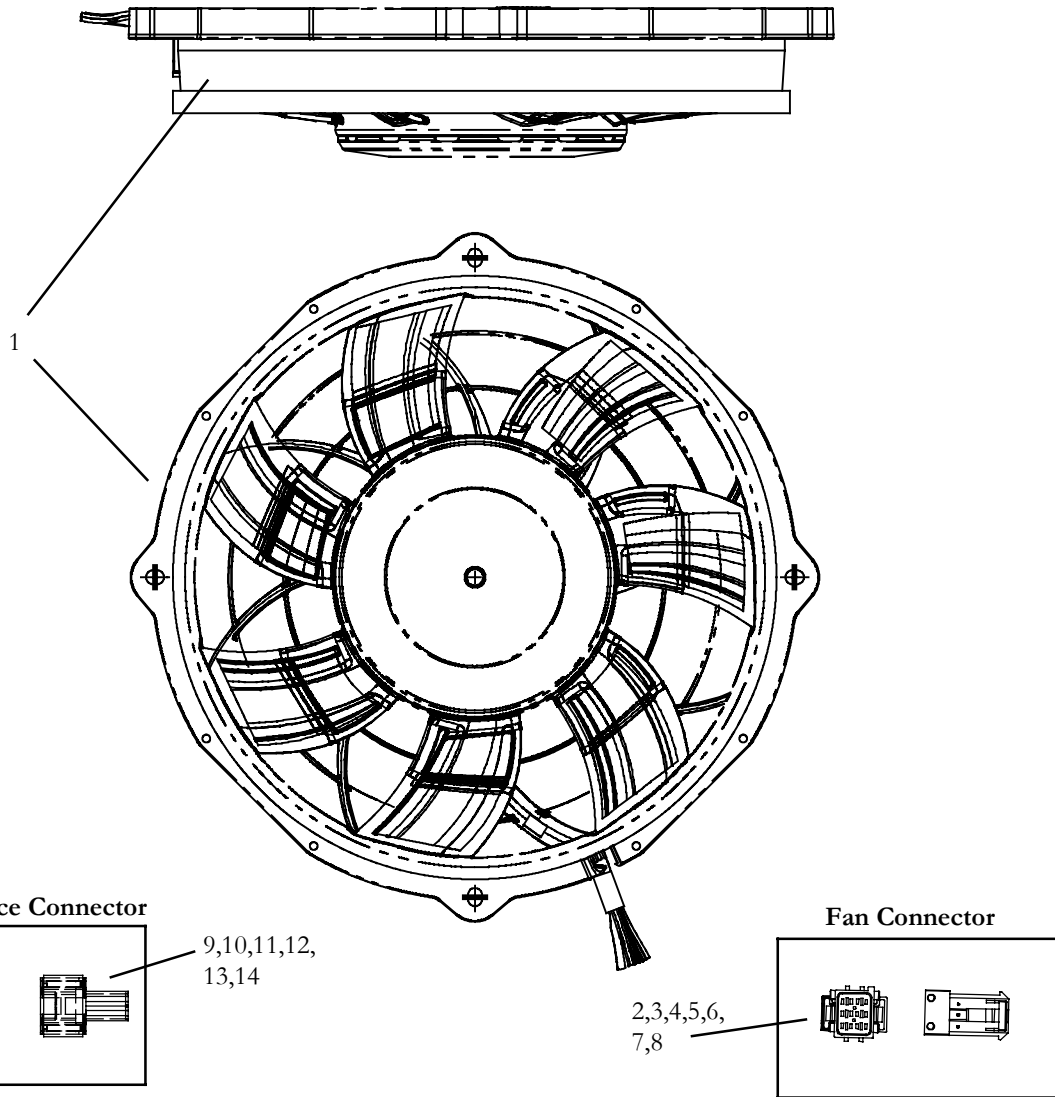
Item	Part Number	Description	Qty
1	34-00672-00	Key, Square, 3/16 x 1-1/4 Inch	2
2	38-00516-00	Fan Blade, Condenser, CounterClockwise, 18 Inch Diameter	2
3	68RM35-1133	Grille, Fan Guard, Condenser	2
4	34-00655-06	Bolt, Hex Head, 1/4 -20 x 3/4 Inch Long, SST	8
5	34-00663-11	Washer, Split Lock, 1/4 Inch, SST	8
6	34-00662-11	Washer, Flat 1/4 Inch, SST	8



9.2 Condenser Fan Motor Assemblies - Models 68RM35-610-3, -4, -5			
7	AC501-120	Motor, Condenser, GE .80 HP PM - Includes:	2
8	54-50067-00	Brush, Motor	4
9	54-50067-31	Holder, Brush	1
10	54-00122-23	Bearing, Shaft End	1
11	54-00122-23	Bearing, Opposite Shaft End	1
12	68RM35-187P	Bracket Assembly, Motor Mounting, Condenser, Painted	2
13	62-62038-00	Label, Arrow	2
14	22-01292-02	Terminal, Butt Connector, 14-16 Gauge	4
15	AC202-209	Tubing, Heat Shrink, 3/16 Inch	4
16	34-00792-08	Bolt, Hex Head, 5/16-18 x 1 Inch Long, SST	8
17	34-00663-12	Washer, Split Lock, 5/16 Inch, SST	8
18	34-00662-12	Washer, Plain, 5/16 Inch, SST	8
19	34-00807-08	Bolt, Hex Head, 3/8-16 x 1 Inch Long, SST	8
20	34-00663-13	Washer, Split Lock, 3/8 Inch, SST	8
21	34-00662-13	Washer, Plain, 3/8 Inch, Medium	8
9.3 Condenser Fan Motor Assemblies - Models 68RM35-610-1, -2			
Item	Part Number	Description	Qty
7	AC501-146	Motor, Fan, Condenser, .8HP, 24VDC, Wound Field - Includes:	2
8	54-00508-30	Brush, Motor	4
9	54-50067-31	Holder, Brush	1
10	54-00517-20	Bearing, Shaft End	1
11	54-00122-23	Bearing, Opposite Shaft End	1
12	68RM35-187P	Bracket Assembly, Motor Mounting, Condenser, Painted	2
13	62-62038-00	Label, Rotation Arrow	2
14	22-01292-02	Terminal, Butt Connector, 14-16 Gauge	4
15	AC202-209	Tubing, Heat Shrink, 3/16 Inch, With Adhesive	4
16	34-00792-08	Bolt, Hex Head, 5/16-18 x 1 Inch Long, SST	8
17	34-00663-12	Washer, Split Lock, 5/16 Inch, SST	8
18	34-00662-12	Washer, Plain, 5/16 Inch, SST	8
19	34-00807-08	Bolt, Hex Head, 3/8-16 x 1 Inch Long, SST	8
20	34-00663-13	Washer, Split Lock, 3/8 Inch, SST	8
21	34-00662-13	Washer, Plain, 3/8 Inch, Medium	8
9.4 Condenser Fan Motor Assemblies - Models 68RM35-610-6, -7, -8, -9 & -10			
7	54-00533-00	Motor, Fan, Condenser, .8HP, 24VDC, Brushless	2
12	68RM35-433P	Bracket Assembly, Motor Mounting, Condenser, Painted	2
14	22-02126-02	Cap, Insulator, Electrical	4
15	22-02126-03	Cap, Insulated, Electrical, #14 to #16 AWG	4
16	34-00792-08	Bolt, Hex Head, 5/16-18 x 1 Inch Long, SST	8
17	34-00663-12	Washer, Split Lock, 5/16 Inch, SST	8
18	34-00662-12	Washer, Plain, 5/16 Inch, SST	8
19	34-00807-08	Bolt, Hex Head, 3/8-16 x 1 Inch Long, SST	8
20	34-00663-13	Washer, Split Lock, 3/8 Inch, SST	8
21	34-00662-13	Washer, Plain, 3/8 Inch, Medium	8



9.5 Condenser Fan Motor Assembly Models Y13-R3501-00, -01 & -02

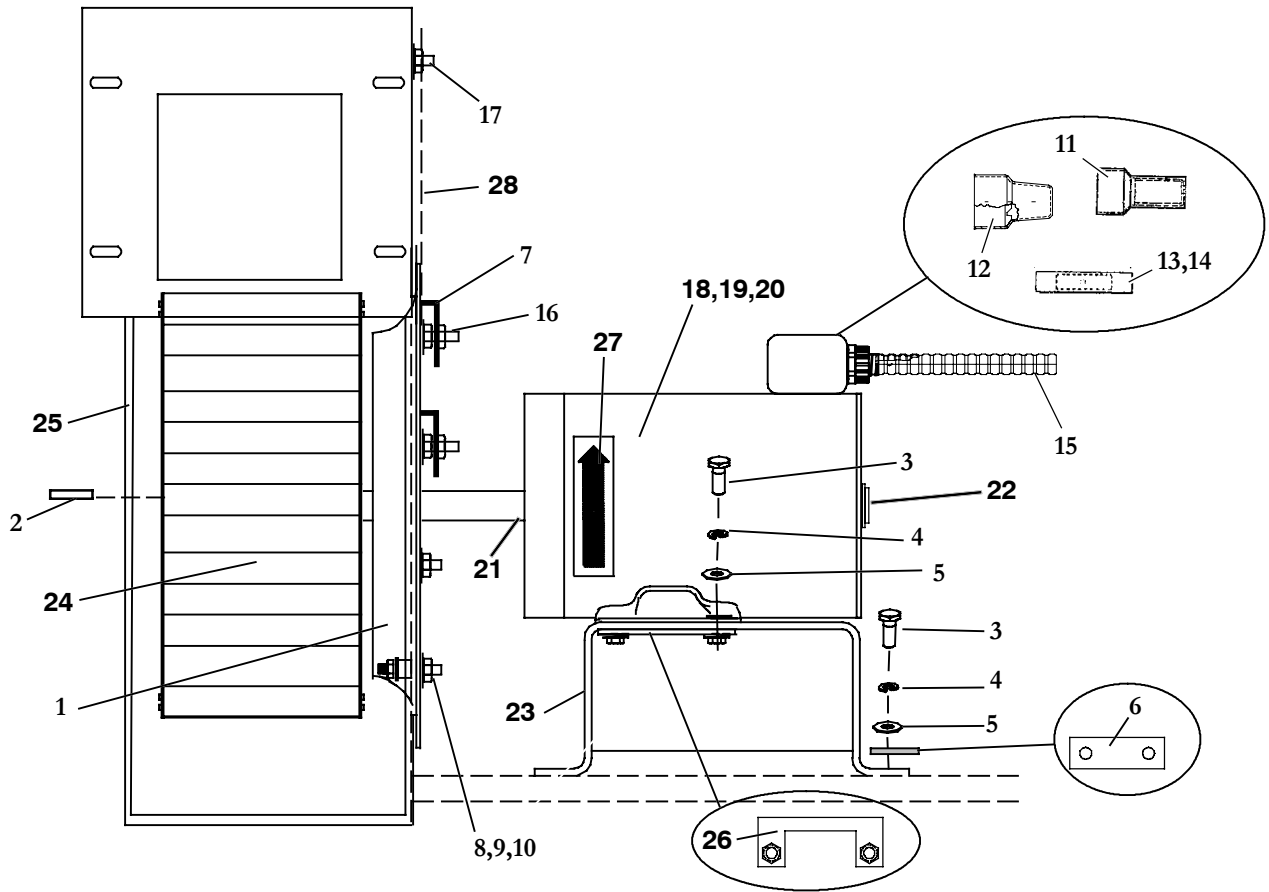


Item	Part Number	Description	Qty
1	Y45-00007-00	Fan Motor Assembly, Includes:	3
2	22-50099-26	Connector, 6 Position, Male	1
3	Y31-00009-00	Terminal, Male, 14 AWG	2
4	22-50099-40C	Seal, Connector, 14 AWG	2
5	22-50099-26A	Seal, Connector, Spacer	1
6	Y31-00009-01	Terminal, Male, 16-20 AWG	2
7	22-50099-40D	Seal, Connector, 16-18 AWG	2
8	Y31-00010-00	Seal, Connector, 20 AWG	2
9	22-50099-40	Connector, 6 Position, Female	1
10	22-50099-40A	Terminal, Female, 14 AWG	2
11	22-50099-40C	Seal, Connector, 14 AWG	2
12	22-50099-40B	Terminal, Female, 16-20 AWG	2
13	22-50099-40D	Seal, Connector, 16-20 AWG	2
14	22-50099-40F	Plug, Cavity	2



10 EVAPORATOR BLOWER ASSEMBLY

10.1 Evaporator Blower Assembly Common Parts - All Models

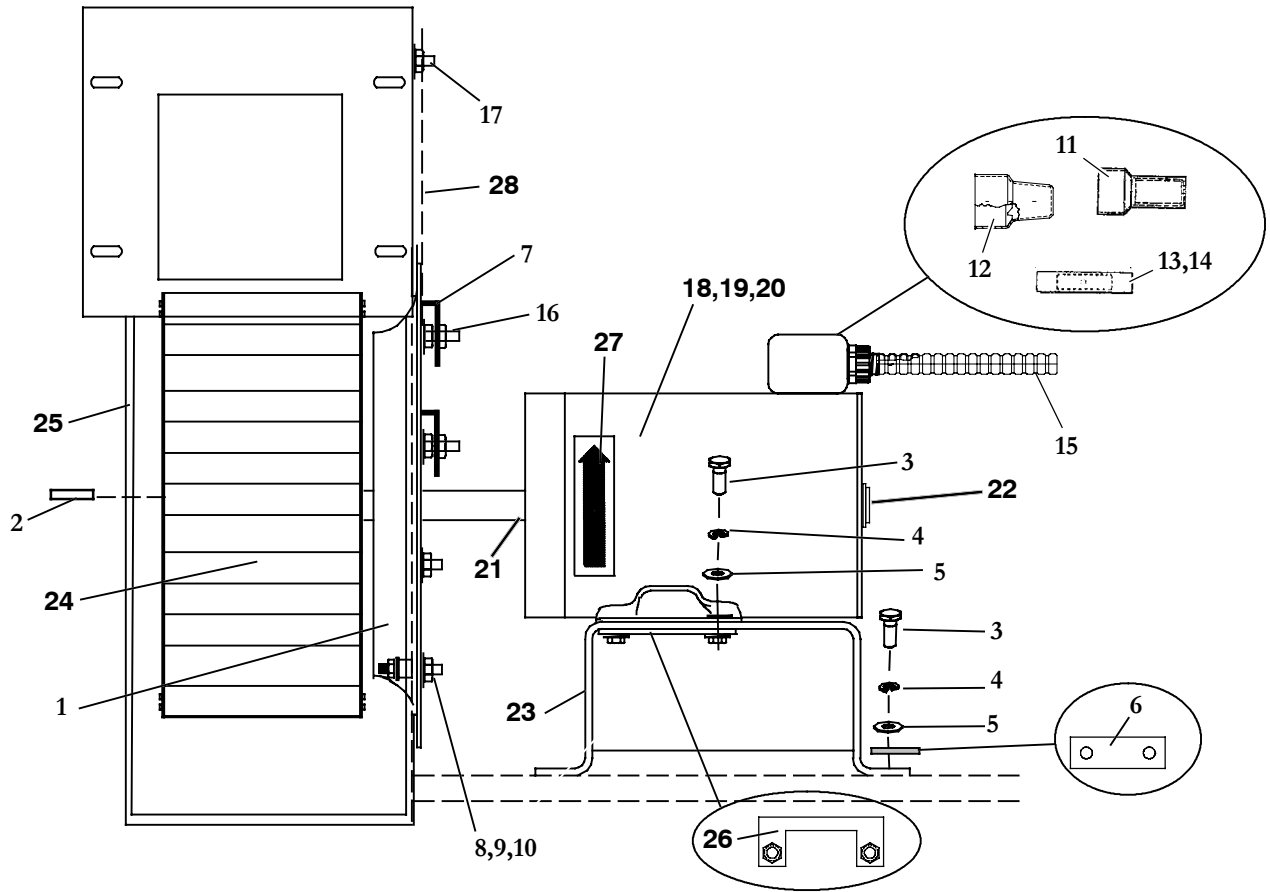


NOTE: Part Numbers And Descriptions For Items 18 Thru 29 Are Found In Sections 10.2 thru 10.4

Item	Part Number	Description	Qty
1	68RM55-1076	Ring, Venturi, Plastic	2
2	34-00672-00	Key, Square, 3/16 x 1-1/4 Inch	2
3	34-00792-08	Bolt, Hex Head, 5/16-18 x 1 Inch Long, SST	A/R
4	34-00663-12	Washer, Split Lock, 5/16 Inch, SST	A/R
5	34-00662-12	Washer, Flat, 5/16 Inch, SST	A/R
6	68RM35-1106P	Plate, Motor Mount Washer, Painted (2 Required Per Motor)	4
7	68RM55-1142P	Clip, Venturi Ring, Painted	8
8	34-00662-11	Washer, Flat 1/4 Inch, SST	A/R
9	34-00663-11	Washer, Split Lock, 1/4 Inch, SST	A/R
10	34-00666-11	Nut, Hex, 1/4-20, SST	A/R
11	22-02126-02	Cap, Insulator, Electrical	A/R
12	22-02126-03	Cap, Insulated, Electrical, #14 to #16 AWG	A/R
13	22-01292-02	Terminal, Butt Connector, 14-16 Guage	4
14	66U1-3803-15	Tube, Heat Shrink, 3/16, With Adhesive	4
15	58-00850-00	Tubing, Split, Corrugated, 1 Inch ID x 75 Feet Long	1
16	34-00667-11	Nut, Hex, Lock ESNA 1/4-20 SST	A/R
17	34-00655-08	Bolt, Hex Head, 1/4-20 x 1 Inch Long, SST	2



10.2 Evaporator Blower Assembly Models 68RM35-610-1, -2



NOTE: Part Numbers And Descriptions For Items 1 Thru 17 Are Found In Section 10.1

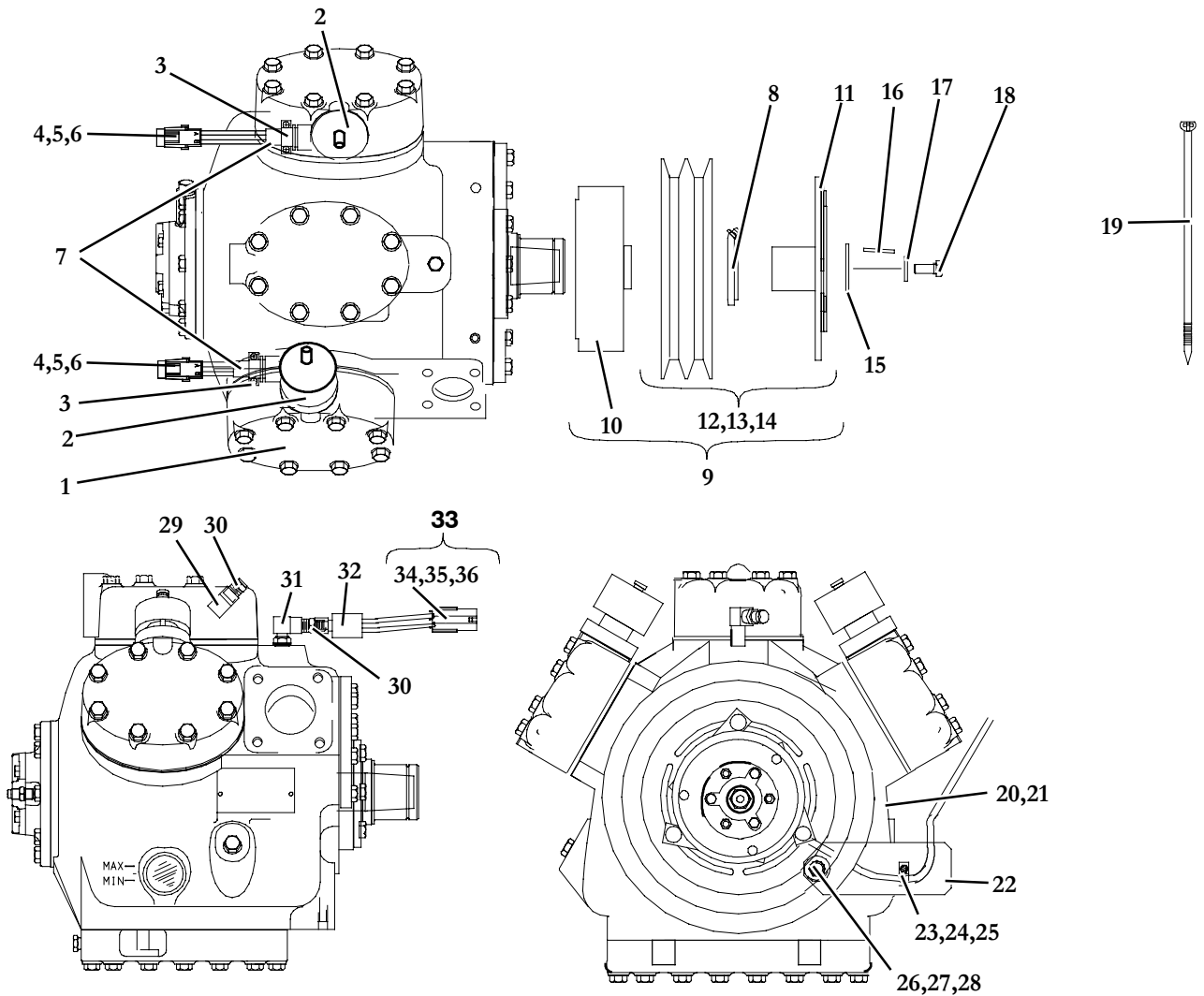
Item	Part Number	Description	Qty
18	AC501-148	Motor, Evaporator Blower, .75HP, 24VDC, Wound Field - Includes:	2
19	54-00508-30	Brush, Motor	4
20	54-50067-31	Holder, Brush, Motor	1
21	54-00517-20	Bearing, Shaft End	1
22	54-00122-23	Bearing, Opposite Shaft End	1
23	68RM35-117P	Bracket Assembly, Motor Mounting, Evaporator, Painted	2
24	38-00512-00	Blower Wheel, Clockwise, 9.00 Diameter - Roadside	1
	38-00512-01	Blower Wheel, CounterClockwise, 9.00 Diameter - Curbside	1
25	38-00571-00	Blower Housing (Coated) - Curbside	1
	38-00571-01	Blower Housing (Coated) - Roadside	1
26	68RM40-202-3P	Bracket Assembly, Painted (2 Required Per Motor)	4
27	62-62038-00	Label, Rotation Arrow	4
28	42-62070-00	Insulation, Blower Housing - Curbside	1
	42-62070-01	Insulation, Blower Housing - Roadside	1



10.3 Evaporator Blower Assembly Models 68RM35-610-3, -4, -5			
Item	Part Number	Description	Qty
18	54-00599-00	Motor, Evaporator Blower, .75HP, 24VDC, Permanent Magnet - Includes:	2
19	54-50067-00	Brush, Motor	4
20	54-50067-31	Holder, Brush, Motor	1
21	54-00508-20	Bearing, Shaft End	1
22	54-00122-23	Bearing, Opposite Shaft End	1
23	68RM35-107P	Bracket Assembly, Motor Mounting, Evaporator, Painted	2
24	38-00512-00	Blower Wheel, CounterClockwise, 9.00 Diameter - Roadside	1
	38-00512-01	Blower Wheel, Clockwise, 9.00 Diameter - Curbside	1
25	38-00571-00	Blower Housing (Coated) - Curbside	1
	38-00571-01	Blower Housing (Coated) - Roadside	1
26	68RM40-202-2P	Bracket Assembly, Painted (2 Required Per Motor)	4
27	62-62038-00	Label, Rotation Arrow	4
28	42-62070-00	Insulation, Blower Housing - Curbside	1
	42-62070-01	Insulation, Blower Housing - Roadside	1
10.4 Evaporator Blower Assembly Models 68RM35-610-6, -7, -8, -9, -1 & Y13-R3501-00 & -02			
Item	Part Number	Description	Qty
18	AC501-152	Motor, Evaporator Blower, .75HP, 24VDC, Brushless	2
	Y45-00016-00	Motor, Evaporator Blower, 1 HP, 24VDC, Brushless (Y13-R3501-01 ONLY)	2
23	68RM35-107	Bracket Assembly, Motor Mounting, Evaporator, Painted	2
24	38-00512-00	Blower Wheel, Clockwise, 9.00 Diameter - Roadside	1
	38-00512-01	Blower Wheel, CounterClockwise, 9.00 Diameter - Curbside	1
25	38-00571-00	Blower Housing (Coated) - Curbside	1
	38-00571-01	Blower Housing (Coated) - Roadside	1
26	68RM40-202-2P	Bracket Assembly, Painted (2 Required Per Motor)	4
28	42-62070-00	Insulation, Blower Housing - Curbside	1
	42-62070-01	Insulation, Blower Housing - Roadside	1



11 05G COMPRESSOR INSTALLATION COMPONENTS



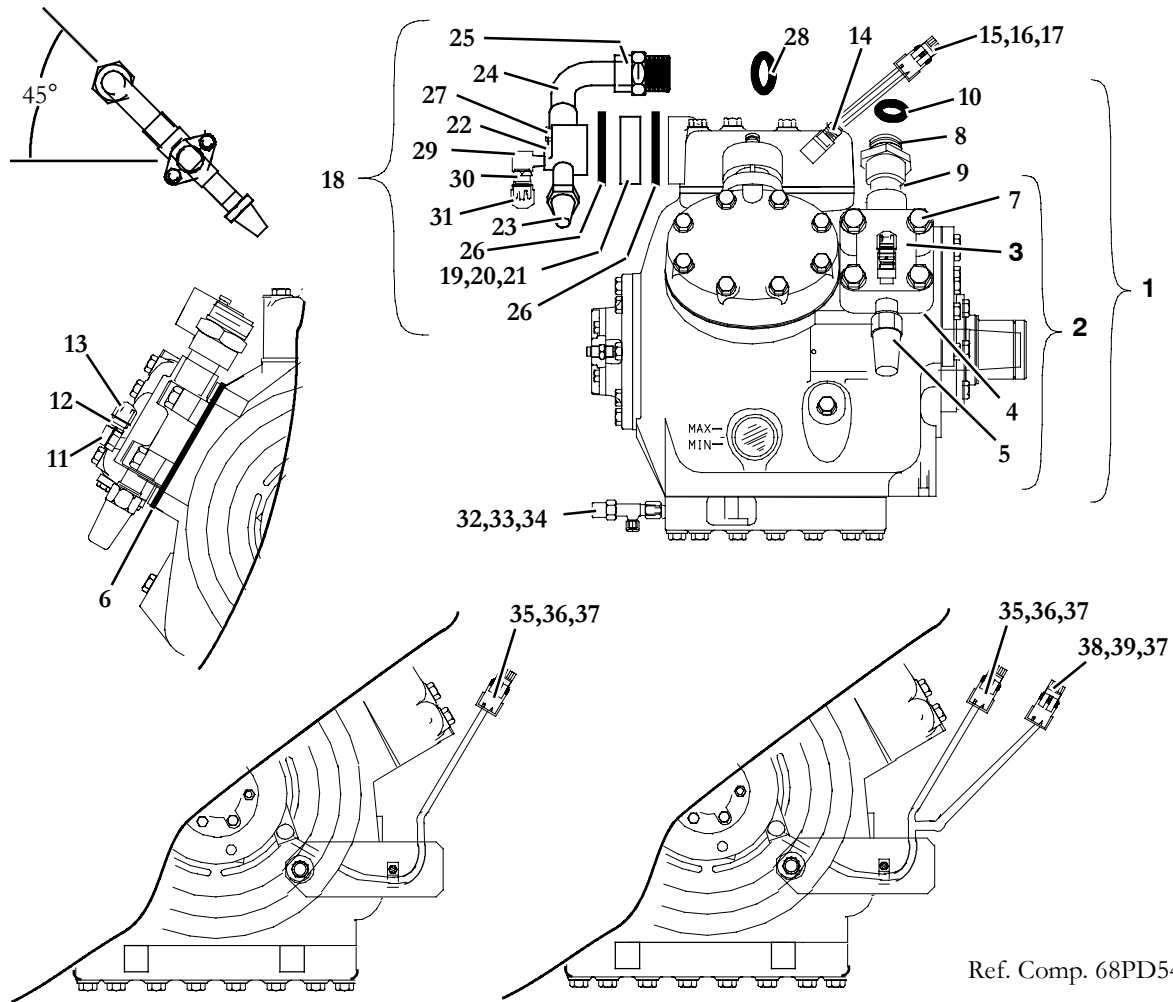
Item	Part Number	Description	Qty
1	17-44062-00	Compressor Assembly, 05G Service (Remanufactured, 41 CFM)	1
	18-00091-160	Compressor Assembly, 05G Service (New, Twin Port, 41 CFM)	
2	22-02804-02	Coil, Solenoid, Compressor Unloader, 24 VDC	2
3	69ND35-1781	Connector, Straight, 2-Screw	2
4	22-02392-01	Connector, 2 Pin, Medium Gray	2
5	22-02393-01	Terminal, Male (18-20 AWG)	4
6	22-02394-00	Seal, Cable, Gray	4
7	66NS0801CD0020	Sleeve, 0.50 ID x .062W x 2.00 Inches Long	2
8	34-06083-00	Nut, Lock, Clutch, Special	1
9	50-01122-14	Clutch Assembly, 24 VDC (Less Lock Nut Item 8) - Includes:	1
10	50-01122-50	Coil, Clutch, 24 VDC	1
11	NSS	Armature Assembly	1
12	50-01122-93	Rotor And Armature Assy. (2-5V Groove AT 10.5 Inch OD) - Includes:	1
13	04-00130-00	Bearing	1
14	34-01186-00	Ring, Retainer	1



11 05G COMPRESSOR INSTALLATION COMPONENTS (Continued)			
Item	Part Number	Description	Qty
15	68G2-9082	Washer, Special, 7/16 ID	1
16	68G2-9072	Key, Crankshaft, Special	1
17	AU11AR241	Washer, Lock, 3/8 Spring	1
18	34-00613-10	Screw, Hex Head Cap, 3/8-24 x 1.25. SAE Grade 8, Zinc Plated	1
19	66U1-3882	Wire Tie, Self-Locking, 7 Inches	1
20	62-02444-00	Label, Charge Only With R-134a	1
21	62-02913-00	Label, POE Oil, Compressor	1
22	68PD1-1202	Bracket, Clutch Wire Support	1
23	34-00373-51	Clamp, Tube, 0.25 Inch Diameter, Cushioned	1
24	34-00827-10	Screw, Machine, Slotted, #8-32 x 0.625	1
25	AT31AB101	Nut, Hex, KEPS, #8-32	1
26	17-40037-05	Screw, Hex Head Cap, 3/8-16 x 1.00 Long	1
27	AU02AB242	Washer, Plain, 3/8 SAE	1
28	34-00372-13	Washer, Lock, 3/8, External Tooth	1
29	14-01093-00	Snubber Assembly, 90 Degree, 1/4 MPT x 1/4 FPT	1
30	06DA403844	Valve Assembly, Schrader, 1/4 Male Flare	3
31	40-01166-01	Elbow, Adapter, 1/4 FPT x 7/16 UNC	1
32	12-00299-01	Switch, Pressure, Low - Includes:	1
33	22-02392-00SV	Connector Kit, 2 Pin - Includes:	1
34	NSS	Connector, Male, 2 Pin, Black	1
35	22-02393-00	Terminal, Male (14-16 AWG)	2
36	22-02394-01	Seal, Cable, Blue	2



11 05G COMPRESSOR INSTALLATION COMPONENTS (Continued)



Ref. Comp. 68PD541-124-71

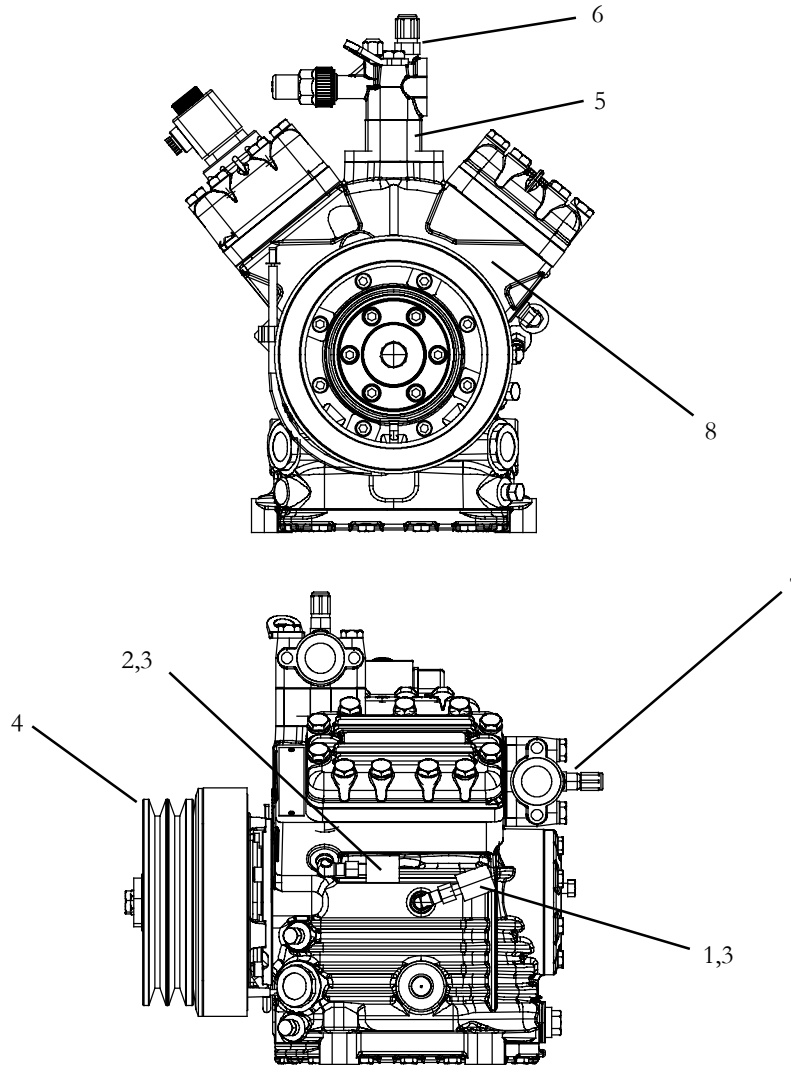
Item	Part Number	Description	Qty
1	68PD2-110-21	Valve Assembly, Suction, Service - Includes:	1
2	68PD1-293-3	Valve Assembly, Suction, With Tube And Fitting - Includes:	1
3	17-40002-01	Valve Package, Suction, Service - Includes:	1
4	NSS	Valve, Suction, Service, 1-3/8 ODF	1
5	17-10812-00	Cap, Service Valve Stem, With "O" Ring, Plastic	1
6	17-40005-05	Gasket, Suction Service Valve (Valve To Compressor)	1
7	17-13020-00	Bolt, Hex Head, 1/2-13 x 2.50 Inches Long	4
8	40-00491-04	Fitting, ORS, 1-3/8 x 2.00-12	1
9	68PD1-1082-2	Tube, Suction, 1-3/8 OD x .065W x 2.19 Inches Long, Steel	1
10	42-00243-02	O-Ring, 1.484 ID x 0.139 Thick	2
11	40-00524-00	Elbow, 1/4 NPT x M13, Low Pressure Side	1
12	40-00520-00	Coupling, Service Port, M13, R-134a - Includes:	1
13	40-00520-02	Cap, Service Port	1
14	12-00299-07	Switch, Pressure, High - Includes:	1
15	22-01585-00SK	Connector, Male, 2 Pin, Black	1
16	22-02393-00	Terminal, Male (14-16 AWG)	2
17	22-02394-01	Seal, Cable, Blue	2



11 05G COMPRESSOR INSTALLATION COMPONENTS (Continued)			
Item	Part Number	Description	Qty
18	68PD2-110-77	Valve Assembly, Discharge, Service - Includes:	1
19	48-00355-00	Adapter	1
20	34-00503-16	Screw, Cap, Sink Head, 5/16-18 x 1.00 Inch Long	2
21	58-00511-21	Washer, Nylon	2
22	14-01042-10	Valve, Discharge, Service, 7/8 ODF - Includes:	1
23	17-10812-00	Cap, Service Valve Stem, With "O" Ring, Plastic	1
24	68PD1-1022	Tube, Bent, 7/8 OD x .049W Steel	1
25	40-00491-00	Fitting, ORS, 7/8 x 1 7/16-12	1
26	17-10811-05	Gasket, Discharge Service Valve (Valve To Compressor)	2
27	17-40012-00	Bolt, Hex Head, 5/16-18 x 2.00 Inches Long	2
28	42-00243-00	O-Ring, 0.921 ID x 0.139 Thick	2
29	40-00524-01	Elbow, 1/8 NPT x M15, High Pressure Side	1
30	40-00520-01	Coupling, Service Port, M15, R-134a - Includes:	1
31	40-00520-03	Cap, Service Port	1
32	EP23LC090	Valve, Angle, 1/4 NPT x 1/4 SAE Flare	1
33	40-00528-01	Connector, 1/4 FPT x 7/16-20, Steel	1
34	42-00243-07	O-Ring, 0.351 ID x 0.072 Thick	2
35	22-01585-02	Connector (Clutch), Male, 2 Pin, Gray	1
36	22-02393-00	Terminal, Male (14-16 AWG)	2
37	22-02394-01	Seal, Cable, Blue	4
38	22-01585-00SK	Connector (Clutch), Male, 2 Pin, Gray (101-36 only)	1
39	22-01566-00	Terminal, Female (14-16 AWG) (101-36 only)	2



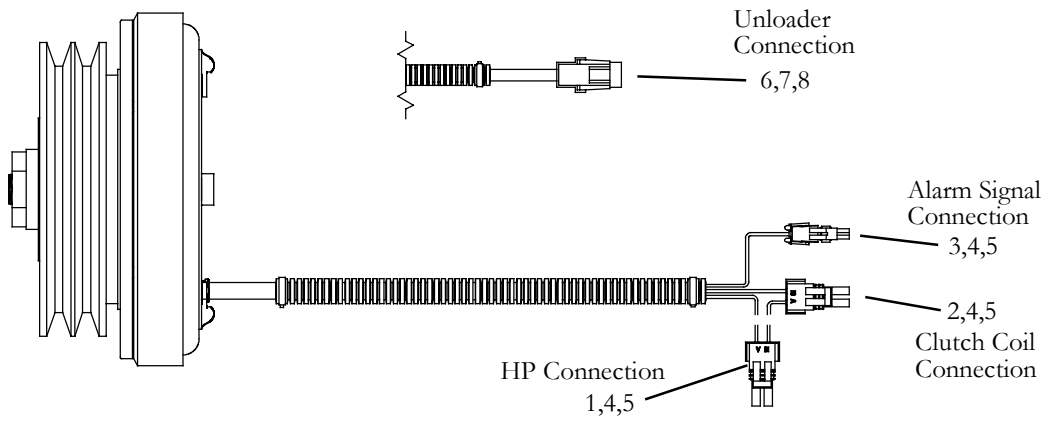
12 BOCK COMPRESSOR ASSEMBLY - Y61-FK401-01



Item	Part Number	Description	Qty
1	12-00299-01	Pressure Switch, Low	1
2	12-00299-22	Pressure Switch, High	1
3	40-60155-00	Fitting, 90 Degree, 1/8" - 27 NPTF	2
4	Y60-00033-00	Clutch Assembly, 2 - 5V Groove, 24 VDC	1
5	Y60-00034-01	Spacer Kit, Service Valve FK40	1
6	Y27-00083-01	Fitting Assembly, High Side Adaptor, 1/4" Flare x 7/16" SAE	1
7	Y27-00083-00	Fitting Assembly, Low Side Adaptor, 1/4" Flare x 7/16" SAE	1
8	Y61-FK401-98	Compressor Assembly (Bare), FK40/655 Bock	1



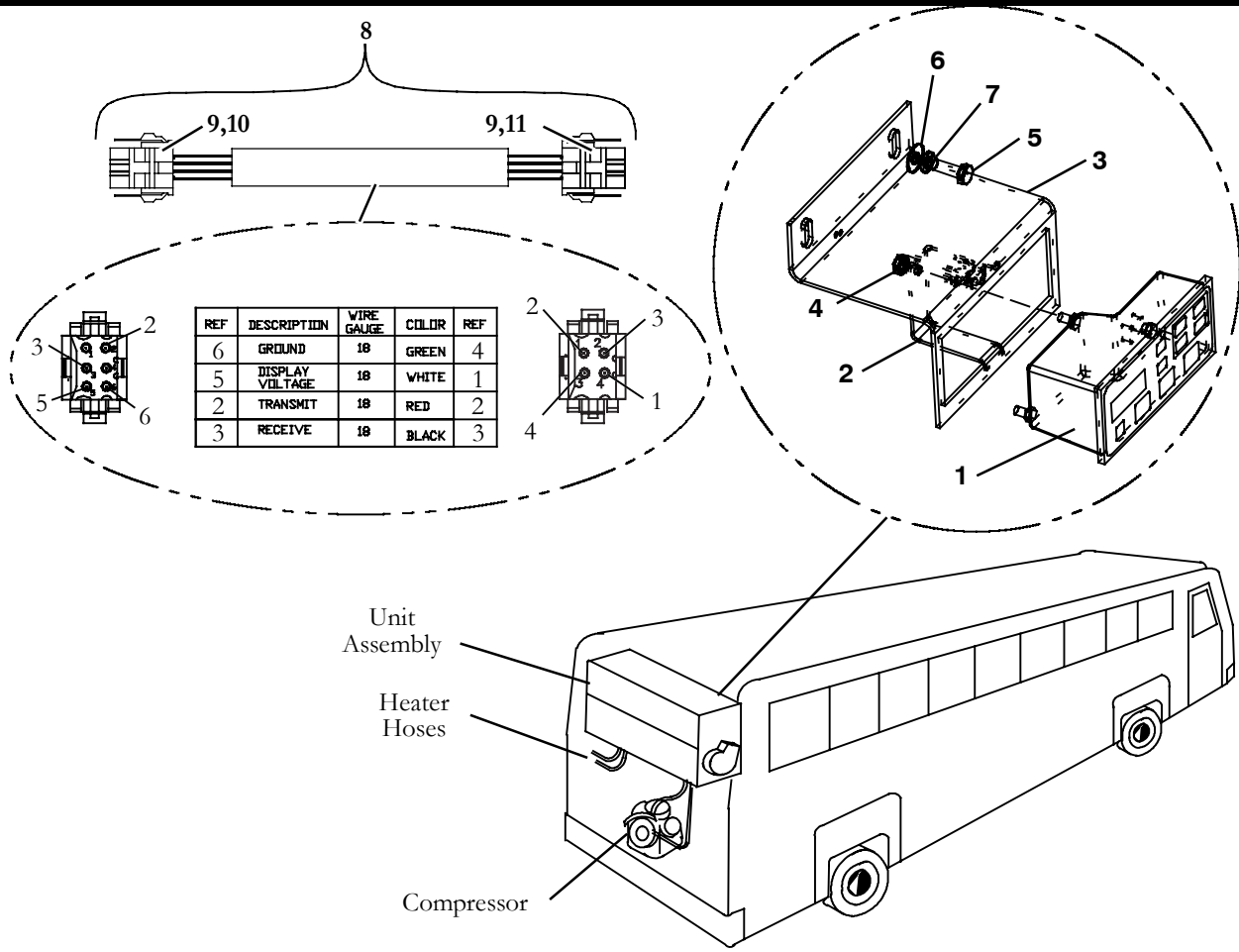
12 COMPRESSOR ASSEMBLY - ELECTRICAL CONNECTORS - Y61-FK401-01



Item	Part Number	Description	Qty
1	22-01585-00	Connector, 2 Pin WP, Tower	1
2	22-01585-02	Connector, 2 Pin WP, Tower	1
3	22-50078-63	Connector, 1 Pin WP, Tower	1
4	22-01566-01	Terminal, Female	5
5	22-02394-02	Seal, Cable	5
6	22-02392-01	Connector, 2 Pin WP, Shroud	1
7	22-02393-00	Terminal, Male	2
8	22-02394-00	Seal, Cable	2



13 MICROMATE CONTROL PANEL COMPONENTS



Kit: 77-00275 A

Item	Part Number	Description	Qty
1	12-00391-03	Module, Micromate Control Panel	1
2	68-62125-00	Clamp, Retaining, Display Module	1
3	68-62402-00	Bracket, Control Module, Painted	1
4	34-00667-07	Nut, Hex, Self-Locking, #6-32, SST	1
5	34-00655-06	Screw, Cap, Hex Head, 1/4-20 x 3/4 Inch Long, SST	2
6	34-00662-11	Washer, Plain, 1/4 Inch, SST	2
7	34-00663-11	Washer, Split Lock, 1/4 Inch, SST	2
8	22-62032-00	Harness, Display Module, 35 Inches (Used With Micromate As A Diagnostic Tool, Connects To J2 Port On Controller Logic Module) - Includes:	1
	22-62063-02	Harness, Display Module, 120 Inches (Used With Micromate As A Diagnostic Tool, Connects To J2 Port On Controller Logic Module) - Includes:	
	22-62063-00	Harness, Display Module, 17 Inches (68RM35-610-1, -2, -5, -6, -7 Units Only) - Includes:	
9	22-62026-00	Connector, 6 Position, Red (MCP)	1
10	22-50145-00	Connector, 4 Position (J2)	1
11	22-50152-00	Terminal, Female Receptacle (16-26 AWG)	10



PART #
0

02-00010-01	33, 37
02-00025-00	17, 20, 23
02-00134-00	43
02-00137-02	6, 9, 12, 14, 16, 19, 22, 24, 26
02-50003-00	42
02-62001-00	43
04-00130-00	50
06DA403844	51
08-62015-00	29
08-67026-02	29

1

10-00247-00	26
10-00247-03	15, 18, 21, 24, 26
10-00247-05	18, 21, 24, 26
10-00286-09	28
10-00286-11	15, 18, 21, 27
10-00286-12	15, 18, 21, 27
10-00286-13	16, 19, 22, 24, 26
10-00300-02	15, 18, 21, 24, 26
10-00307-01	15
10-00307-02	26
10-00309-00	19
10-00314-00	19
10-00315-00	3, 6, 9, 12, 14
12-00299-01	51, 54
12-00299-07	52
12-00299-22	54
12-00352-00	3, 6, 9, 12, 14
12-00371-01	15, 18, 21, 24, 26
12-00391-03	56
12-00495-02SV	3, 6, 9, 12, 14, 17, 20, 23, 28
12-00523-00	12, 14

PART # **PAGE#**

12-00558-80	28
12-00693-00	15, 18, 21, 24
12-00693-02	26
12-00693-10	26
14-00194-00	41
14-00220-06	31, 35
14-00236-00	33, 36, 39
14-00236-50	33, 36, 39
14-00236-51	33, 36, 39
14-00281-04	31, 35
14-00320-00	32, 36, 39
14-00351-00	31, 32, 35, 39
14-01032-01	31, 35
14-01042-10	53
14-01093-00	51
14-01104-35	31, 35, 39
14-01110-02	41
14-50036-00	41
14-50050-00	31
14-50050-01	31, 35
14-50051-00	31, 35
14-50093-00	31, 35
16-03301-00	31, 35
17-10811-05	53
17-10812-00	52, 53
17-13020-00	52
17-40002-01	52
17-40005-05	52
17-40012-00	53
17-40037-05	51
17-44062-00	50
18-00091-160	50

2

22-00119-05	24, 26
22-00121-27	17, 20, 24, 26



PART #	PAGE#	PART #	PAGE#
22-00872-01	7	22-02392-00	12, 14, 28
22-00872-03	24, 26	22-02392-00SV	6, 9, 51
22-01139-05	16, 19, 22, 24, 26	22-02392-01	3, 6, 9, 12, 14, 28, 50, 55
22-01140-05	24, 26	22-02393-00	3, 6, 9, 12, 14, 16, 19, 22, 28, 51, 52, 53, 55
22-01173-02	14	22-02393-01	3, 6, 9, 12, 14, 16, 20, 22, 28, 50
22-01292-02	45, 47	22-02394-00	3, 6, 9, 12, 14, 50, 55
22-01449-00	16, 19, 22	22-02394-01	3, 6, 9, 28, 51, 52, 53
22-01563-05	16, 19, 22, 24, 26	22-02394-02	4, 6, 12, 14, 55
22-01565-00	28	22-02448-00SV	3, 6, 9, 12, 14
22-01565-01	4, 7, 10, 12, 14, 28	22-02804-02	50
22-01566-00	3, 6, 9, 28, 53	22-02923-00	16, 19, 22, 24
22-01566-01	4, 7, 12, 14, 16, 19, 22, 28, 55	22-02924-00	17, 20
22-01584-00	7	22-02925-00	17, 20, 23, 25
22-01585-00	6, 12, 14, 55	22-02927-00	23
22-01585-00SK	3, 9, 52, 53	22-02930-00	20
22-01585-02	6, 9, 12, 14, 28, 53, 55	22-02931-00	17
22-01585-04	4, 7	22-50078-09	28
22-01594-00	15, 18, 21, 24, 26	22-50078-09A	28
22-01612-00	16, 19, 22, 24, 26	22-50078-63	55
22-01613-06	17, 20, 23	22-50078-76B	3, 6, 9, 12, 14
22-01613-07	17, 20, 23	22-50099-00	12, 14
22-01613-15	17, 20, 23	22-50099-09	4, 7, 10
22-02126-01	14	22-50099-26	46
22-02126-02	14, 45, 47	22-50099-26A	46
22-02126-03	9, 12, 14, 45, 47	22-50099-40	14, 46
22-02301-04	4, 7, 10, 12, 14	22-50099-40A	46
22-02302-02	3, 6, 9, 12	22-50099-40B	46
22-02302-03	4, 7, 10, 12, 14	22-50099-40C	46
22-02302-04	4, 7, 10, 12, 14	22-50099-40D	46
22-02336-04	16, 17, 19, 20, 22, 23, 24, 26, 28	22-50099-40F	46
22-02336-06	15, 18, 21, 27	22-50122-05	17, 20, 23
22-02336-25	17, 20, 23, 28	22-50122-15	23
22-02338-02	17, 20, 23, 28	22-50134-00	17, 20, 23, 27
22-02338-03	17, 20, 23, 28	22-50135-00	16, 17, 19, 20, 22, 23, 27
		22-50136-00	16, 19, 22, 27



PART #	PAGE#	PART #	PAGE#
22-50137-00	16, 19, 22, 27	34-00373-51	51
22-50138-00	16, 19, 22, 27	34-00503-16	53
22-50143-00	16, 19, 22, 27	34-00613-10	51
22-50144-00	17, 20, 23, 27	34-00655-06	3, 6, 9, 29, 32, 36, 43, 44, 56
22-50145-00	4, 6, 27, 56	34-00655-08	15, 18, 21, 32, 35, 41, 47
22-50146-00	27	34-00662-07	41
22-50148-00	16, 17, 19, 20, 22, 23, 27	34-00662-08	16, 19, 22, 33, 37
22-50152-00	4, 6, 16, 17, 19, 20, 22, 23, 28, 56	34-00662-09	3, 6, 9, 15, 18, 21, 43
22-50153-00	17, 20, 23, 28	34-00662-11	3, 6, 15, 18, 21, 29, 32, 36, 41, 43, 44, 47, 56
22-50236-00	15, 18, 21, 28	34-00662-12	29, 32, 36, 47
22-50275-00	17, 20, 23, 27	34-00662-13	31, 32, 35, 36, 45
22-50346-00	16, 17, 19, 20, 22, 23	34-00663-08	16, 19, 22, 33, 37
22-50347-00	17, 20, 23	34-00663-09	3, 6
22-50359-00	17, 20, 23	34-00663-11	3, 6, 9, 16, 18, 21, 29, 32, 36, 43, 44, 47, 56
22-62005-00	3, 6, 9, 12, 14	34-00663-12	29, 33, 37, 45, 47
22-62017-00	4, 7, 10	34-00663-13	31, 35, 45
22-62018-00	7	34-00665-14	41
22-62018-01	4, 10	34-00666-11	29, 47
22-62026-00	56	34-00666-17	41
22-62032-00	56	34-00667-07	41, 56
22-62063-00	56	34-00667-09	7, 15, 18, 21
22-62063-02	56	34-00667-11	4, 37, 47
22-62080-00	23, 25	34-00667-61	32, 36, 43
22-62097-00	4, 6, 12, 14	34-00672-00	44, 47
22-62186-00	3, 6	34-00792-06	29
		34-00792-08	45, 47
		34-00799-04	32, 36
		34-00807-08	32, 36, 45
		34-00827-10	51
		34-00855-04	31, 35
		34-00879-03	3, 6, 9, 12, 14
		34-00938-13	3, 6, 9, 12, 14
		34-01186-00	50
		34-01266-20	29
		34-01305-03	41
3			
34-00300-14	29		
34-00360-09	7, 10, 15, 18, 21, 43		
34-00372-12	51		
34-00373-03	4, 7, 10		
34-00373-05	33, 37		
34-00373-07	33, 37		
34-00373-13	4, 7, 10		



PART #	PAGE#
34-01317-00	43
34-06083-00	50
34-06088-00	32, 36
34-06088-02	32, 36
34-06088-04	37, 39
34-06088-06	37
34-06095-01	3, 6, 9, 12, 14
34-06121-03	32, 36, 39
34-06121-04	32, 36, 39
34-06179-01	3, 6
34-06179-03	15, 18, 21
34-06212-12	9
34-06212-15	41
34-06264-04	16, 19, 22, 33, 37
34-06264-06	16, 19, 22
34-60068-20	29
34-62000-00	15, 18, 21, 24, 26
34-62000-01	17, 20, 23, 24, 26
34-62001-00	4, 7, 10, 12, 14
34-62055-00	15, 18, 21
38-00512-00	48, 49
38-00512-01	48, 49
38-00516-00	44
38-00547-00	40
38-00571-00	48, 49
38-00571-01	48, 49
38-67005-04	40

4

40-00060-03	31, 35
40-00071-19	31, 35
40-00081-00	29
40-00090-06	33, 37
40-00491-00	31, 35, 39, 53
40-00491-04	31, 35, 39, 52

PART #	PAGE#
40-00491-15	37
40-00491-19	37, 39
40-00501-05	32, 36, 39
40-00501-07	31, 35, 39
40-00501-50	31, 32, 35, 36
40-00503-03	32, 36, 39
40-00503-04	32, 36, 39
40-00520-00	52
40-00520-01	53
40-00520-02	52
40-00520-03	53
40-00521-02	39
40-00524-00	52
40-00524-01	53
40-00528-01	53
40-00541-02	41
40-01124-00	31, 32, 35, 39
40-01166-01	51
40-60155-00	54
40-62028-00	36, 39
40-62032-01	39
40-62032-02	36
40-62125-10	39
40-67014-01	39
40-67014-03	39
42-00032-00	33
42-00032-01	37
42-00243-00	32, 36, 39, 53
42-00243-02	32, 36, 39, 52
42-00243-03	32, 36, 37, 39
42-00243-07	53
42-00243-11	32, 36, 37, 39
42-00243-28	29, 33, 37
42-01232-00	43
42-01273-00	43
42-01275-00	29



PART #	PAGE#
42-01275-01	29
42-01275-02	29
42-01275-03	29
42-01275-04	29
42-62005-00	16, 19, 22
42-62008-00	43
42-62009-00	43
42-62070-00	48, 49
42-62070-01	48, 49
44-00045-03	32, 36
44-00102-06	4, 7
44-00102-51	4, 7
44-00318-00	41
44-01134-14	33
48-00335-00	53

5

50-00122-14	50
50-00122-50	50
50-00122-93	50
54-00122-23	45, 48, 49
54-00508-20	49
54-00508-30	45, 48
54-00517-20	45, 48
54-00533-00	45
54-00599-00	49
54-50067-00	45, 49
54-50067-31	45, 48, 49
56-00143-74	32, 36
56-00143-75	32, 36
56-03838-00	32, 33, 35, 37
56-03843-06	32, 36
56-03953-00	41
56-03953-01	41
56-03954-00	33, 37

PART #	PAGE#
56-03955-00	33, 37
56-03956-00	33, 37
56-03963-00	37
56-03991-00	33, 37
56-03993-00	32, 36
56-03995-00	37
56-62055-00	31, 35
56-62057-00	31, 35
56-62064-00	31, 35
56-62093-00	36
56-62120-00	31, 35
56-62141-00	33, 37
56-62157-00	33, 37
56-62158-00	32, 35
56-62163-00	32, 36
56-62164-00	33, 37
56-62207-00	31, 35
58-00065-18	3, 6
58-00065-27	19
58-00065-49	9
58-00065-85	4, 7, 10, 12, 14, 32, 36
58-00065-87	3, 6, 9
58-00065-88	32, 36
58-00079-00	16, 19, 22
58-00079-02	3, 6, 9, 16, 19, 22, 41
58-00511-08	15, 18, 21, 24
58-00511-21	53
58-00523-00	17, 20, 23
58-00616-03	33
58-00712-17	41
58-00850-00	47
58-01368-00	4, 7, 10
58-62124-00	3, 6, 9
58-62223-01	39

6

62-02444-00	51
-------------	----



PART #	PAGE#	PART #	PAGE#
62-02913-00	51	66U1-1214-5	31, 35
62-62001-00	43	66U1-3041	41
62-62003-00	43	66U1-3803-15	47
62-62037-00	43	66U1-3882	51
62-62038-00	45	68-07995-00	32, 36
62-62039-00	43	68-08215-00	29
62-62040-04	16, 19, 22	68-08228-00	37
62-62041-00	41	68-08267-00	32, 36
62-62041-01	41	68-08275-00	37
62-62041-04	3, 6, 9	68-08298-00	15, 18, 21
62-62041-05	3, 6, 9	68-08299-00	15, 18, 21
62-62041-11	16, 19, 22	68-08300-00	15, 18, 21
62-62041-13	16, 19	68-08301-00	17, 20, 23
62-62041-16	16, 19, 22	68-62038-00	49
62-62041-17	7	68-62125-00	56
62-62041-20	16, 19, 22	68-62228-00	43
62-62041-21	16, 19	68-62233-00	43
62-62041-22	4, 7, 22	68-62260-00	41
62-62041-24	16, 19	68-62275-00	19
62-62041-25	16, 19, 22	68-62306-00	33
62-62041-26	16, 19, 22	68-62307-00	32, 36
62-62041-27	16, 19, 22	68-62402-00	56
62-62043-00	19, 22	68-62492-00	36
62-62043-01	16	68-62638-01	32, 36
62-62043-02	19, 22	68-62649-00	32, 36
62-62043-03	16	68G2-9072	51
62-62043-04	19, 22	68G2-9082	51
62-62043-05	16	68PD1-1022	53
62-62043-06	19, 22	68PD1-1082-2	52
62-62043-07	16	68PD1-1202	51
62-62044-00	16, 19, 22	68PD1-293-3	52
62-62045-00	43	68PD2-110-21	52
65-01093-00	31, 35	68PD2-110-77	53
66CH1-1212-8	41	68RM35-107	49
66NS0801CD0020	50	68RM35-107P	49
		68RM35-1106P	47



PART #	PAGE#
68RM35-1133	44
68RM35-1163-4	43
68RM35-117P	48
68RM35-1303	43
68RM35-187P	45
68RM35-267	3, 6, 9, 12, 14
68RM35-433P	45
68RM40-202-2P	49
68RM40-202-3P	48, 49
68RM45-193	41
68RM45-343	41
68RM55-1076	47
68RM55-1142P	47
68RM55-124P	31, 35
68RM55-209-14	3, 6, 9
68RM55-210-12	9
69ND35-1781	50

7

73-50006-00	31, 35
-------------	--------

8

81-02679-00	37
81-02689-00	42
81-02690-00	37
81-02692-00	32, 36
81-02694-00	33, 37
81-62010-00	31, 35
81-62010-01	31
81-62011-00	31
81-62011-01	35
81-62012-00	31, 35
81-62013-00	31, 35
81-62015-00	31, 35

PART #	PAGE#
81-62053-00	32, 36
81-62081-00	32
81-62087-00	36
81-62114-01	41
86-03149-00	43
86-03158-00	43
86-62209-00	29

9

91-01182-00	6
91-01182-01	9
91-01182-02	3
91-01182-03	12, 24
91-01182-04	14, 26
99TS1445CK002100	31, 35

A

AC101-203	31, 35
AC101-626	29
AC101-900	31, 35, 39
AC201-600	16, 19, 22, 23, 24, 26, 28
AC201-901	17, 20, 23, 28
AC201-931	17, 20, 23, 28
AC202-209	45
AC202-210	4, 7, 10, 12, 14
AC202-215	4, 7, 9, 10, 12, 14
AC301-204	9, 12, 14
AC301-236	41
AC301-244	41
AC501-120	45
AC501-146	45
AC501-148	48
AC501-152	49
AC701-237	9, 12, 14
AC801-202	29



PART #	PAGE#	PART #	PAGE#
AC801-203	39	Y25-00029-00	12, 14
AC901-580	31, 35	Y26-00006-00	39
AT31AB101	51	Y26-00021-05	31, 39
AU02AB242	51	Y26-00021-50	31
AU11AR241	51	Y26-00021-99	39
C		Y27-00083-00	54
CM983-618	17, 20, 23, 28	Y27-00083-01	54
D		Y31-00009-00	46
DD19CA061	31, 32, 35, 39	Y31-00009-01	46
DE06DA051	41	Y31-00010-00	46
E		Y35-00021-00	26
EP23LC090	53	Y35-00023-00	14
Y		Y37-00007-00	41
Y25-00019-00	25	Y45-00007-00	46
		Y45-00016-00	49
		Y60-00033-00	54
		Y60-00034-01	54
		Y61-FK401-98	54

Every driver deserves the best possible vehicle climate with MCC products

MCC provides exceptional performance in mobile climate comfort.



www.mcc-hvac.com

Member of MCC Group • Certified ISO 9001 and ISO 14001.
Specifications subject to change without notice. MCC is a registered trademark.