

SERVICE PARTS
for
TRANSIT COMPRESSORS and MOUNTS

T-370PL

REV. 08/2015



TABLE OF CONTENTS

SAFETY SUMMARY Safety-1

MOUNT MATRIX Spec-1

COMPRESSOR MATRIX Spec-1

SERVICE PARTS 1

INTRODUCTION 1

CONFIGURATION IDENTIFICATION 1

GENERAL NOTES 1

1 MCC Mount Kit 19-0811 2

 1.1 MCC Mount Kit 19-0811, Main Bracket Assembly 3

 1.2 MCC Mount Kit 19-0811, Base Plate Assembly T19-0829 4

 1.2 MCC Mount Kit 19-0811, Base Plate Assembly T19-0829: (Continued) 5

 1.3 MCC Mount Kit 19-0811, Intermediate Pulley Kit T19-0830 5

 1.4 MCC Mount Kit 19-0811, Crankshaft Pulley Kit T19-0831 6

 1.5 MCC Mount Kit 19-0811, Belt Kit T19-0832 6

 1.6 MCC Mount Kit 19-0811, Maintenance Instructions/Recommendations 7

2 MCC Mount Kit Y19-00005 8

 2.1 MCC Mount Kit Y19-00005, Belts 9

3 Compressor Installation Components - O5G - R-134a Systems - Common Parts 10

4 Compressor Internal Components - O5G -Twin Port and 3 Port Compressors 12

 4.1 Compressor Internal Components - Shaft Seal-O5G -Twin Port and 3 Port Compressors 12

 4.2 Compressor Internal Components - Oil Pump/Bearing End-O5G -Twin Port and 3 Port Compressors 12

 4.3 Compressor Internal Components-O5G Twin Port ONLY- Valve Plates 13

 4.4 Compressor Internal Components-O5G 3 Port ONLY- Valve Plates 14

 4.5 Compressor Internal Components - Base Components-O5G -Twin Port and 3 Port Compressors 15

 4.6 Compressor Internal Components - 05G Rods and Pistons-Twin Port and 3 Port Compressors 16

 4.7 Compressor Internal Components - 05G Main Bearing and Misc. -Twin Port and 3 Port Compressors 17

 4.8 Compressor Components- 05G Service Valves - Twin Port and 3 Port Compressors 18

 4.9 Compressor Components- 05G Unloader Valves - Twin Port and 3 Port Compressors 19

 4.10 Compressor Components- 05G Pressure to Electric Unloader Kits - Twin Port and 3 Port Compressors 19

5 Compressor Installation Components - O5G - R-134a Systems 20

 5.1 Compressor Installation Components - O5G - R-134a Systems - Y61-05G02-21 20

 5.2 Compressor Installation Components - O5G - R-134a Systems - 68PD541-124-33 22

6 Compressor Components - 6NFC Bitzer - COMMON PARTS 24

 6.1 Compressor Installation Components - 6NFC Bitzer - Y61-NFC02-01 & -02 25

 6.2 Compressor Installation Components - 6NFC Bitzer - Specific to Y61-NFC02-02 26



SAFETY SUMMARY

GENERAL SAFETY NOTICES

The following general safety notices supplement the specific warnings and cautions appearing elsewhere in this manual. They are recommended precautions that must be understood and applied during operation and maintenance of the equipment covered herein. A listing of the specific warnings and cautions appearing elsewhere in the manual follows the general safety notices.

FIRST AID

An injury, no matter how slight, should never go unattended. Always obtain first aid or medical attention immediately.

OPERATING PRECAUTIONS

Always wear safety glasses.

Keep hands, clothing and tools clear of the evaporator and condenser fans, as well as belts and pulleys.

No work should be performed on the unit until all circuit breakers and start-stop switches are placed in the OFF position, engine disabled and power supply is disconnected.

Always work in pairs. Never work on the equipment alone.

In case of severe vibration or unusual noise, stop the unit and investigate.

MAINTENANCE PRECAUTIONS

Beware of unannounced starting of the evaporator and condenser fans. Do not open the unit cover before turning power off.

Be sure power is turned off before working on motors, controllers, solenoid valves and electrical controls. Tag circuit breaker and power supply to prevent accidental energizing of circuit.

Do not bypass any electrical safety devices, e.g. bridging an overload, or using any sort of jumper wires. Problems with the system should be diagnosed, and any necessary repairs performed, by qualified service personnel.

When performing any arc welding on the unit, disconnect all wire harness connectors from the modules in the control box. Do not remove wire harness from the modules unless you are grounded to the unit frame with a static-safe wrist strap.

In case of electrical fire, open circuit switch and extinguish with CO₂ (never use water).

SPECIFIC WARNINGS AND CAUTIONS



WARNING

Be sure to observe warnings listed in the safety summary in the front of this manual before performing maintenance on the hvac system



WARNING

Read the entire procedure before beginning work. Park the coach on a level surface, with parking brake applied. Turn main electrical disconnect switch to the off position.



SPECIFIC WARNINGS AND CAUTIONS - Continued:



WARNING

Battery disconnect should be off.



WARNING

Extreme care must be taken when opening the coolant system. Coolant may be hot, and exposure to the skin and eyes could result in injury.



CAUTION

Use care when checking/manipulating wires/plugs attached to electrical components. Damage to the component or wiring harness can occur.



MOUNT MATRIX

MOUNT KIT	DESCRIPTION	WHERE USED	SECTION
19-0811	Compressor Mount	Nova	1
19-0005	Compressor Mount	New Flyer	2

COMPRESSOR MATRIX

COMPRESSOR MODEL	DESCRIPTION	WHERE USED	SECTION
05G	Common Installation Parts	Transit Applications	3
05G	Internal Component Parts	Transit Applications	4
Y61-05G02-21	Installation Components	New Flyer	5.1
68PD541-124-33	Installation Components	Nova Bus	5.2
Bitzer NFC	Common Installation Parts	Transit Applications	6
Y61-NFC02-01 & -02	6NFC Bitzer Common Parts	Nova Bus	6.1&6.2

SECTION 1

SERVICE PARTS

INTRODUCTION

This section provides identification of service replacement parts for the Mobile Climate Control Transit Compressors and Mount Kits.

CONFIGURATION IDENTIFICATION

Compressor identification information is provided on a plate (decal) located on the compressor assembly. This plate provides the unit model number and the unit serial number. The model number identifies the unit configuration and differences in detailed parts.

GENERAL NOTES

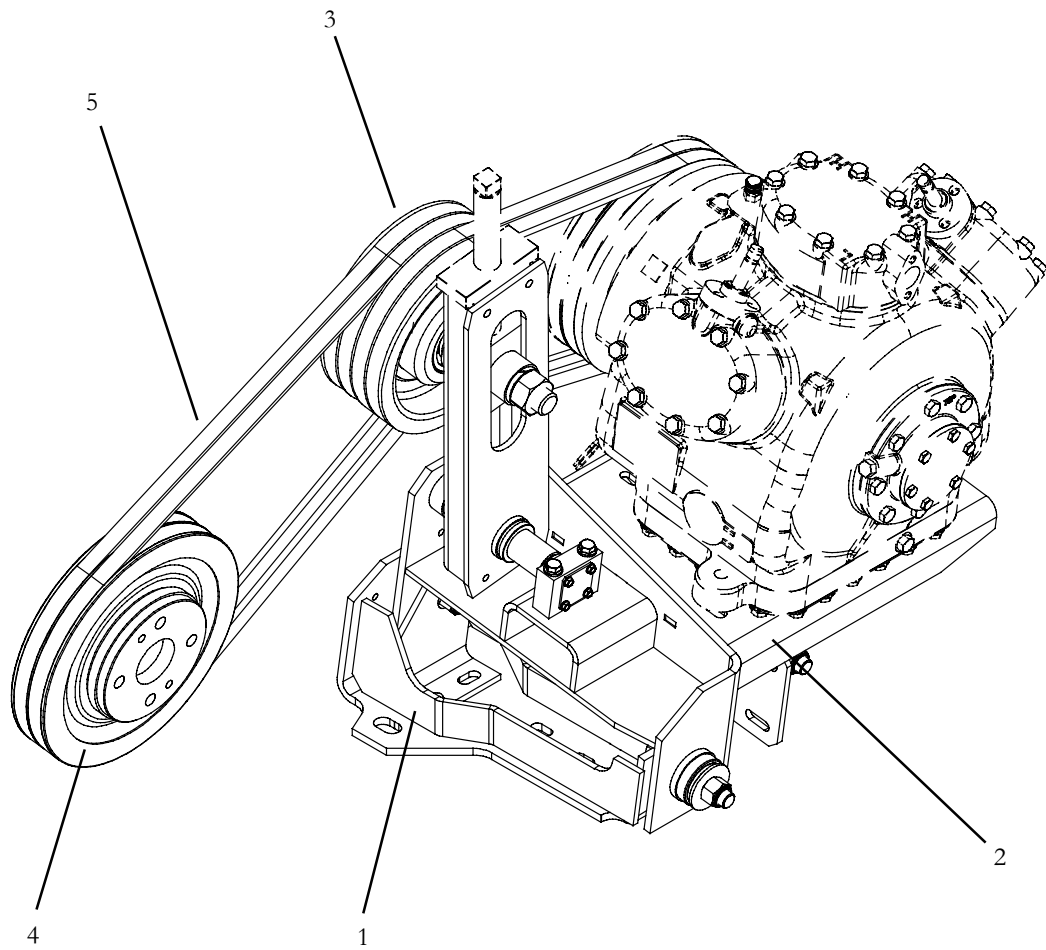
To find replacement parts, determine major group in which replacement parts are located and turn to the appropriate page for the illustrated breakdown of the replacement parts. The following letter designations are used to classify parts throughout this list. Parts can be obtained by ordering from the following website:

www.mcc-hvac.com

- A/R As Required
- N.S. Not Shown on Illustration
- NSI Non-Stock Item (Items **may not be available** for purchase, or **may require extended lead times**)
- NSS Not Sold Separately - Order next higher assembly or kit.
- P-- Suffix P-- added to part number means part is available in packaged quantity only.
- PL Purchase Locally
- SS Stainless Steel
- SV Suffix SV added to part number designates service replacement part.



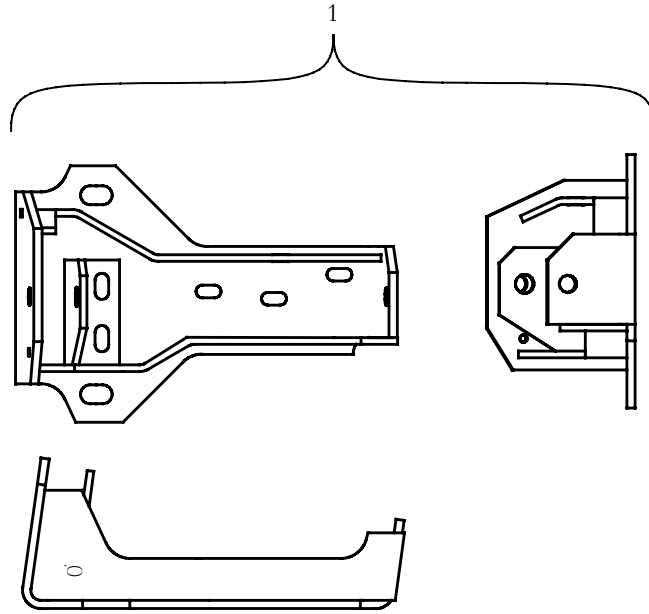
1 MCC Mount Kit 19-0811



Item	Part Number	Description	Qty
1	T24-14407	Main Bracket Assembly: (See Section 1.1)	NSI
2	T19-0829	Base Plate Assembly: (See Section 1.2)	NSI
3	T19-0830	Intermediate Pulley Kit: (See Section 1.3)	NSI
4	T19-0831	Crankshaft Pulley Kit: (See Section 1.4)	NSI
5	T19-0832	Belt Kit: (See Section 1.5)	NSI



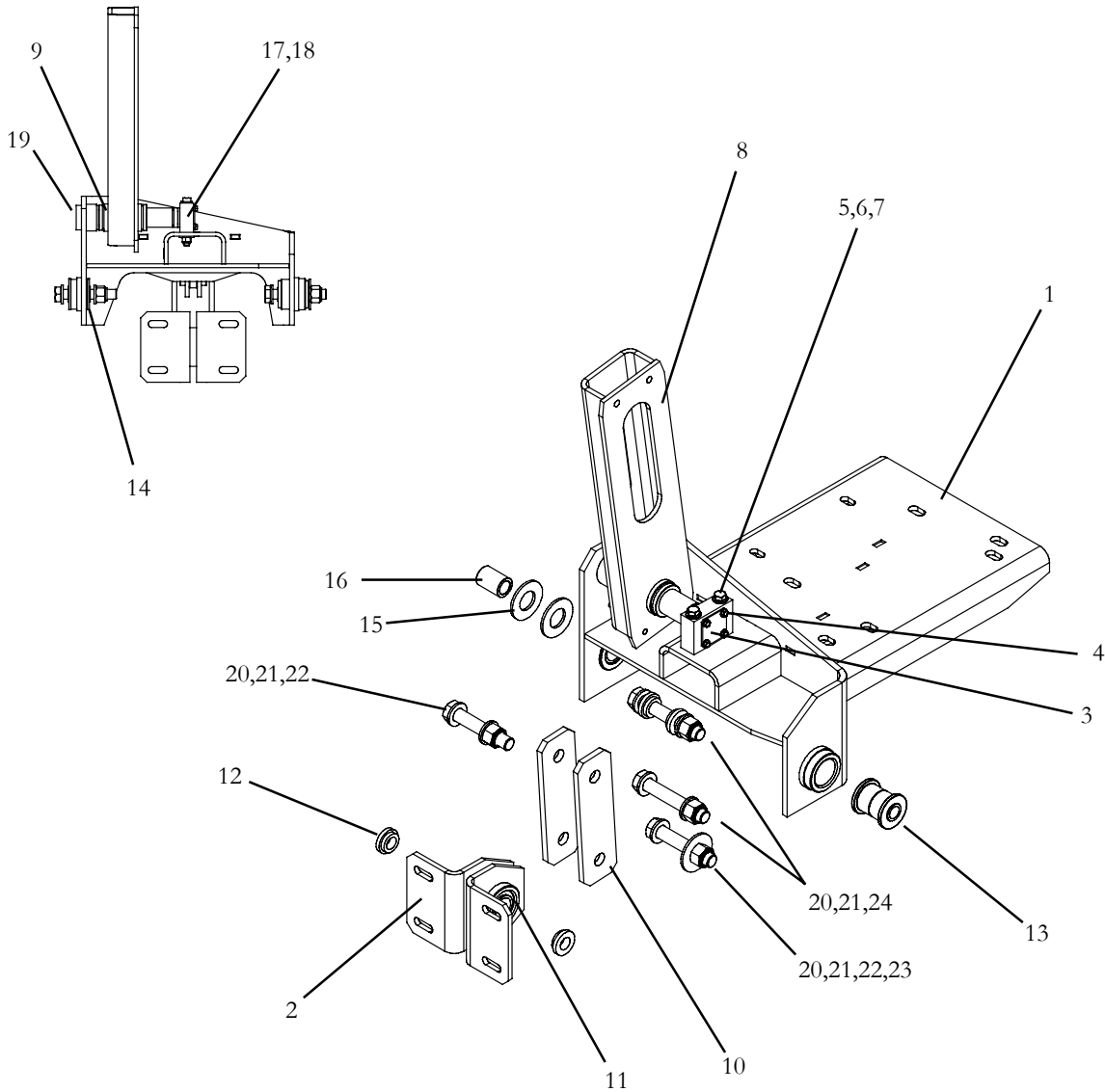
1.1 MCC Mount Kit 19-0811, Main Bracket Assembly



Item	Part Number	Description	Qty
1	T24-14407	Main Bracket Assembly (Welded)	NSI



1.2 MCC Mount Kit 19-0811, Base Plate Assembly T19-0829



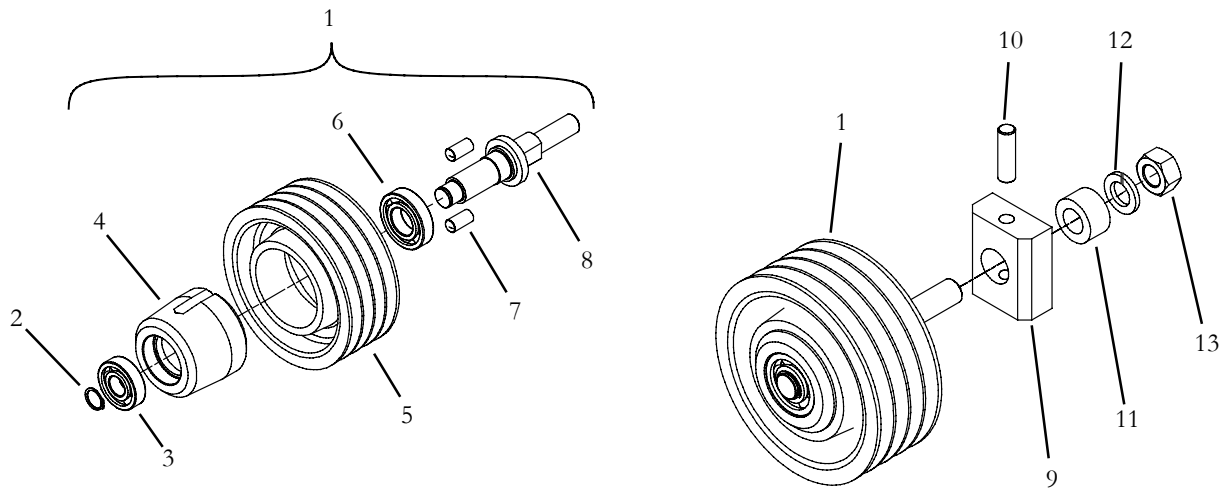
Item	Part Number	Description	Qty
1	24-14254	Base, Mounting	NSI
2	24-14119	Bracket, Side	NSI
3	24-14147	Plug	NSI
4	29-0449	Bolt, M5 x 10 mm	NSI
5	29-1659	Flange Bolt, M8 x 70 mm, DIN 6921	NSI
6	29-1660	Locknut, M8, DIN 982	NSI
7	29-0205	Washer, M8	NSI
8	T24-14412	Arm Assembly	1
9	39-0035	Bearing, 25 mm	1
10	T24-14408	Shackle Plate	2



1.2 MCC Mount Kit 19-0811, Base Plate Assembly T19-0829: (Continued)

Item	Part Number	Description	Qty
11	39-0057	Bushing, Rubber	2
12	39-0059	Bushing	4
13	39-0058	Bushing	1
14	39-0074	Bearing, PTFE	1
15	39-0075	Washer, Thrust PTFE	2
16	39-0076	Pin	1
17	39-0061	Bearing Block Assembly	1
18	39-0034	Bearing, 20 mm	1
19	39-0060	Plug, 35 mm	1
20	29-1649	Hex Bolt, M16 x 90 mm, DIN 931	NSI
21	29-1648	Locknut, M16, DIN 982	NSI
22	29-1647	Washer, Plain, M16, Din 125A	NSI
23	29-1668	Washer, M16, ZPL, Din 9021	NSI
24	29-1646	Hex Bolt, M16 x 100 mm, DIN 931	NSI
N.S.	T25-3650	Grounding Jumper	NSI
N.S.	T30-0039	Grease (5.0 ml)	NSI

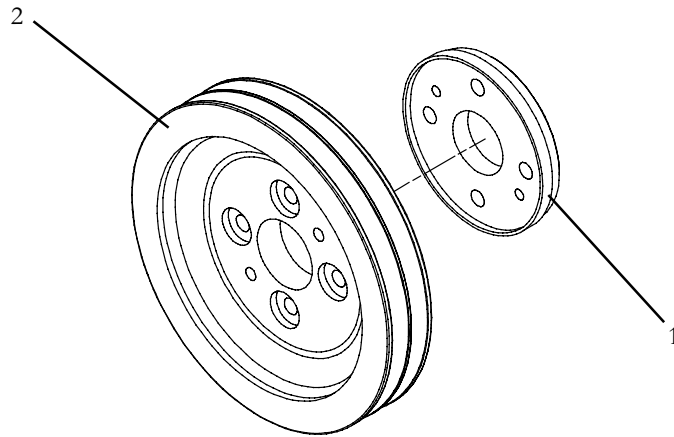
1.3 MCC Mount Kit 19-0811, Intermediate Pulley Kit T19-0830



Item	Part Number	Description	Qty
1	39-0054	Intermediate Pulley Assembly: Includes	1
2	29-1586	Snap Ring, 25mm	1
3	39-0029	Bearing	1
4	39-0056	Hub, Intermediate Pulley	NSI
5	39-0055	Pulley, P4SPB200	NSI
6	39-0028	Bearing	1
7	39-0071	Set Screw, 5/8" - 11 x 1.25	NSI
8	39-0027	Axle	NSI
9	39-0077	Slide	1
10	T29-1687	Stud, M16 x 35, DIN 939	1
11	39-0078	Bushing	1
12	29-1584	Spring Washer, M24, DIN 934	NSI
13	29-1585	Nut, M24 x 2, DIN 934	NSI

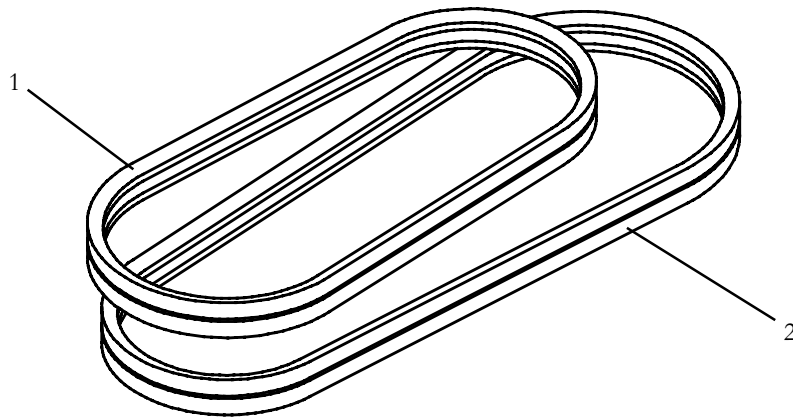


1.4 MCC Mount Kit 19-0811, Crankshaft Pulley Kit T19-0831

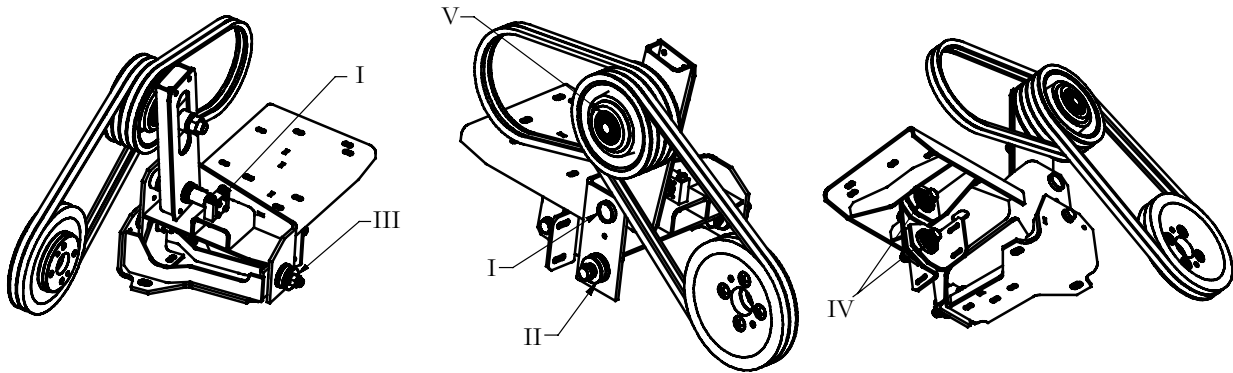


Item	Part Number	Description	Qty
1	39-0039	Spacer	1
2	39-0063	Pulley, P2SPB250	1

1.5 MCC Mount Kit 19-0811, Belt Kit T19-0832



Item	Part Number	Description	Qty
1	39-0066	V - Belt XPB 1250	2
2	39-0067	V - Belt XPB 1500	2

1.6 MCC Mount Kit 19-0811, Maintenance Instructions/Recommendations


I - Clean, inspect and re-grease every 5 years. A convenient tool to re-place the 25 mm bearing is MCC Part # T03-0615.

II - PTFE bearing. Greased on installation but is not expected to require any subsequent attention. If replacement needed, will require to be reamed out. Use Loctite 770 (primer) and 454 (adhesive). Convenient tool is MCC Part # T03-0612.

III - Polyurethane bearing. Greased on installation but not expected to require subsequent attention.

IV - Rubber bushings. A convenient tool for replacing them is MCC Part # T03-0615

V - Two deep-groove ball bearings. Hub is lubricated for life. Only possible service is an overhaul, to be performed only in the event of noise, excessive play or seal damage. To overhaul, replace BOTH bearings and install 85-90 ml of grease (Total SynPro SHC NLGI-2). Convenient tools are MCC Part #'s T03-0613 and T03-0614.

Tightening Torques:

M8 - 25 Nm
M16 - 90 Nm
M24 x 2 - 185 Nm

Tools:



T39-0081



T03-0612



T03-0613



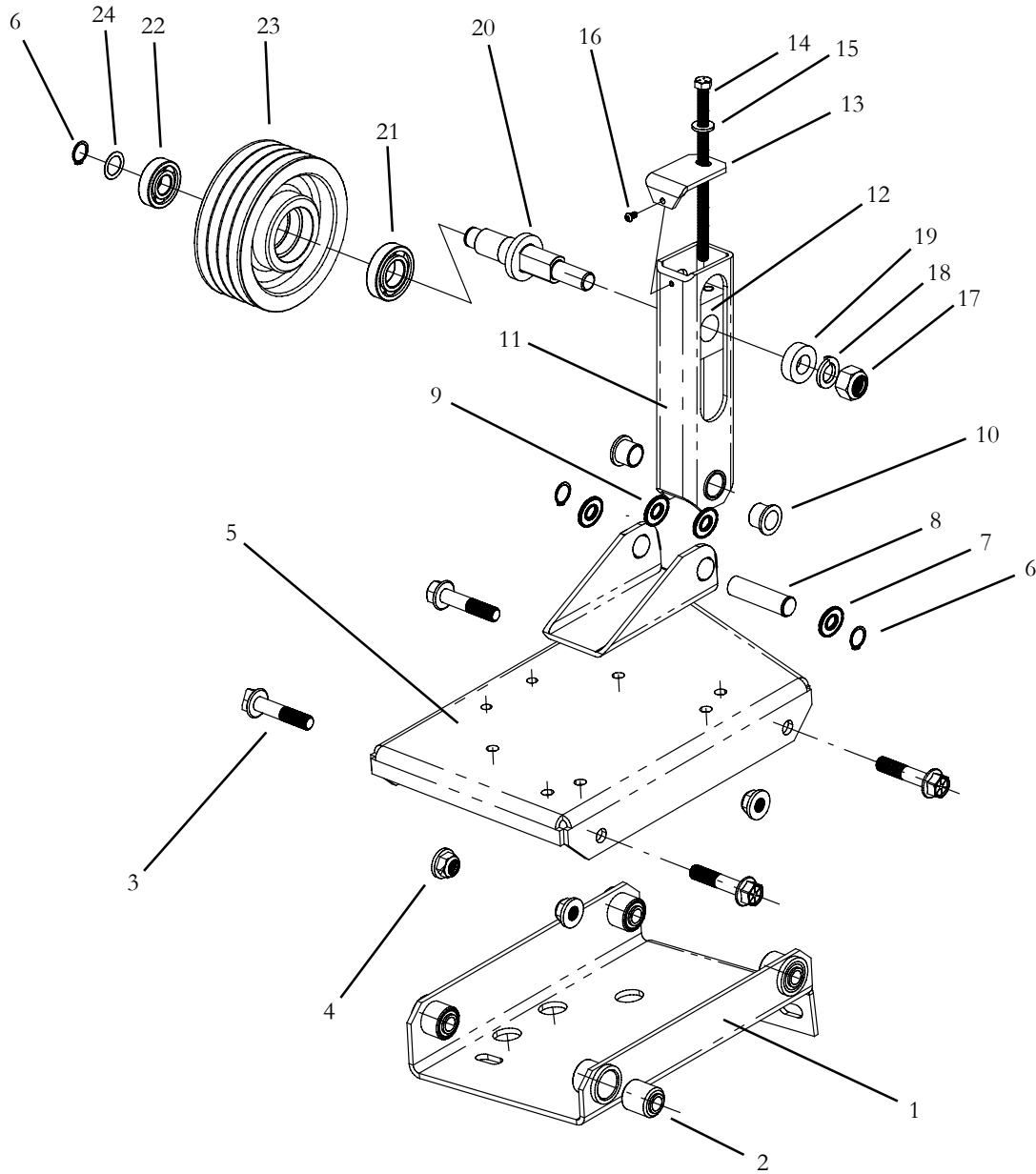
T03-0614



T03-0615



2 MCC Mount Kit Y19-00005



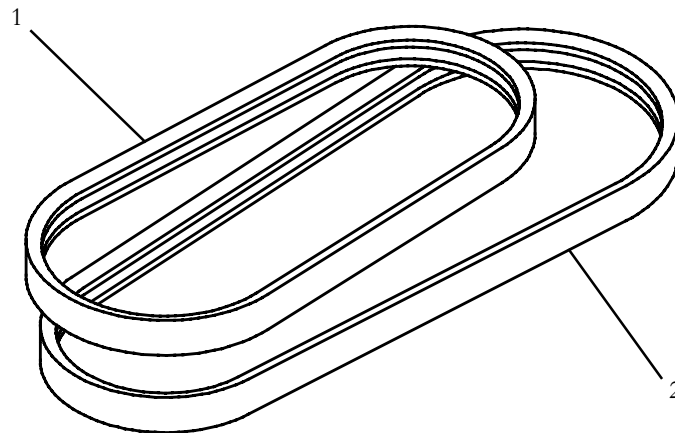
Item	Part Number	Description	Qty
1	Y24-00351-00	Base Plate Weldment,	NSI
2	Y39-00022	Bushing, CTR Bonded	4
3	Y29-00029	SCR, FLNG, 5/8" - 11 x 3" LG,	NSI
4	Y29-00046	Nut, NYLOK Flanged, 5/8" - 11 GR G	NSI
5	Y24-00350-00	Top Plate Weldment	NSI
6	29-1586	Snap Ring, EXT	3
7	Y29-00043	Washer, M24 - SS	NSI
8	Y24-00357-01	Shaft, Tension Arm Pivot	1
9	Y29-00048	Shim, 25mm ID x 2.00mm THK, SS	NSI
10	39-0035	Bearing	2



2 MCC Mount Kit Y19-00005 (Continued):

Item	Part Number	Description	Qty
11	Y24-00354-00	Tension Arm Assembly	NSI
12	Y24-00352-01	Slide Block Lock, Brass	NSI
13	Y24-00355-01	Tension Adjuster Top, Steel Angle	NSI
14	Y29-00030	Bolt, 1/2" - 13 x 9.5" LG	NSI
15	Y29-00035	Washer, 1/2" GR 9	NSI
16	Y29-00034	SCR, BHC, 1/4"-20 x 1/2" LG	NSI
17	29-1585	Nut, M24 x 2.0, DIN934	1
18	29-1584	Washer, Lock, M24	NSI
19	39-0031	Bushing	NSI
20	Y24-00356-00	Idler Mounting Shaft	1
21	39-0028	Bearing, 35mm ID	1
22	39-0029	Bearing, 25mm ID	1
23	Y24-00358-01	Pulley, 4 Groove, 5V - 8.0 OD	1
24	Y29-00047	Shim, 25mm ID x 0.5mm THK-SS	1

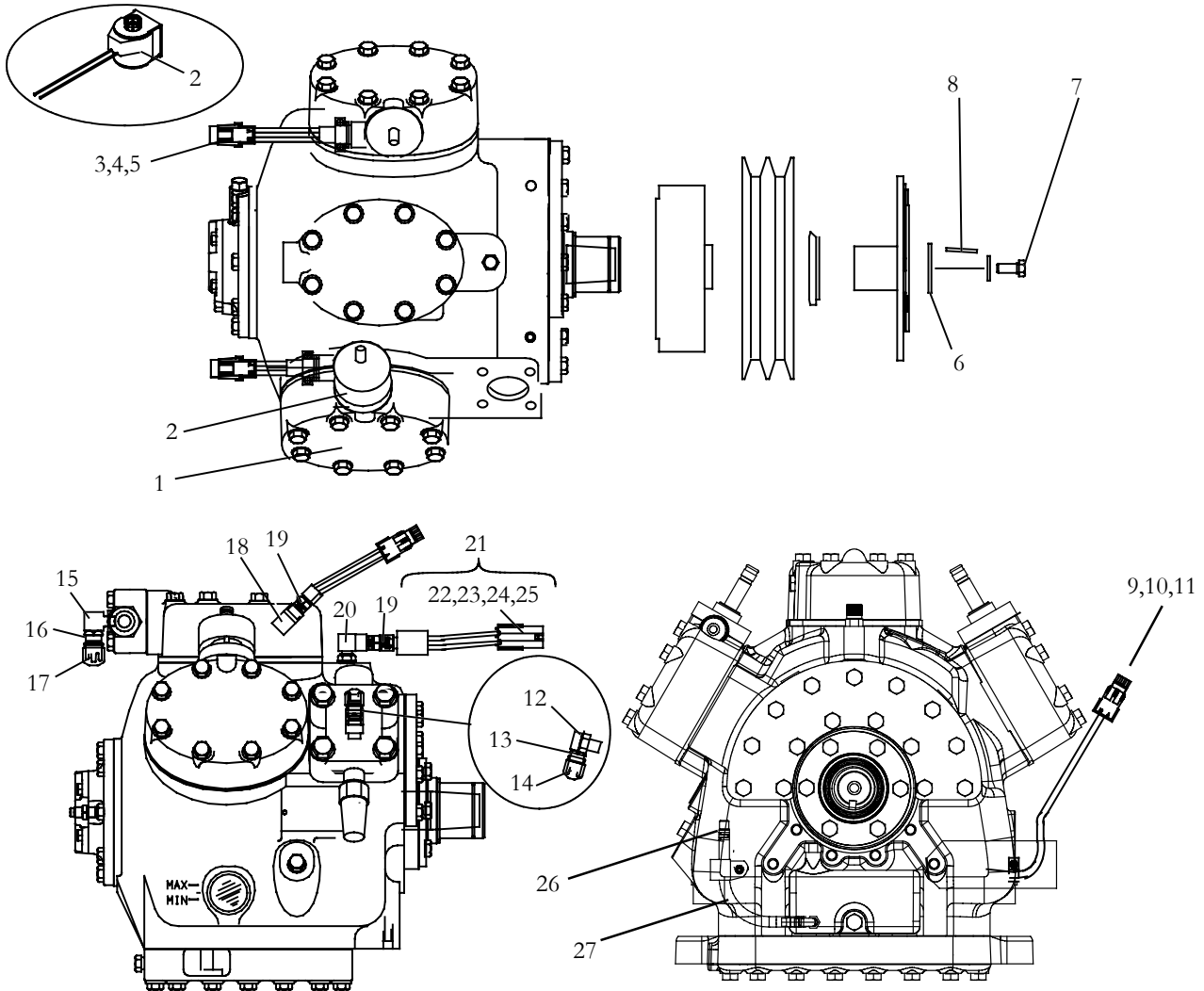
2.1 MCC Mount Kit Y19-00005, Belts



Item	Part Number	Description	Qty
1	Y39-00026	Belt, Banded, 2/5VX500	1
2	Y39-00027	Belt, Banded, 2/5VX630	1



3 Compressor Installation Components - 05G - R-134a Systems - Common Parts



Item	Part Number	Description	Qty
1	18-00091-160RM	Compressor Assembly, 05G Service (Twin Port, 41 CFM w/Recovery Bottle)	1
	Y61-05G02-98	Compressor Assembly, 05G Service (New, Twin Port, 41 CFM w/Oil) (Recovery Bottle w/tube)	1
2	22-02804-02	Coil, Solenoid, Compressor Unloader, 24 VDC	2
3	22-02392-01	Connector, 2 Pin, Medium Gray	2
4	22-02393-01	Terminal, Male (18-20 AWG)	4

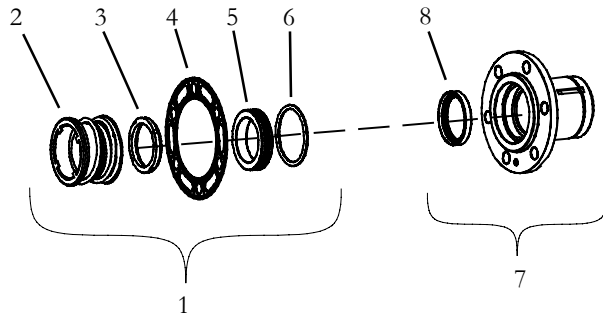


3 Compressor Installation Components - 05G - R-134a Systems - Common Parts (Continued)			
Item	Part Number	Description	Qty
5	22-02394-00	Seal, Cable, Gray	4
6	68G2-9082	Washer, Special, 7/16 ID	1
7	34-00613-10	Screw, Hex Head Cap, 3/8-24 x 1.25 SAE Grade 8, Zinc Plated	1
8	68G2-9072	Key, Crankshaft, Special	1
9	22-02393-00	Terminal, Male (14-16 AWG)	2
10	22-02394-01	Seal, Cable, Blue (14-18 AWG)	2
11	22-01585-02	Connector, Male, 2 Pin, Medium Gray	1
12	40-00524-00	Elbow, 1/4 NPT x M13, Low Pressure Side	1
13	40-00520-00	Coupling, Service Port, M13, R-134a - Includes:	1
14	40-00520-02	Cap, Service Port	1
15	40-00524-01	Elbow, 1/8 NPT x M15, High Pressure Side	1
16	40-00520-01	Coupling, Service Port, M15, R-134a - Includes:	1
17	40-00520-03	Cap, Service Port	1
18	14-01093-00	Snubber Assembly, 90 Degree, 1/4 MPT x 1/4 FPT	1
19	06DA403844	Valve Assembly, Schrader, 1/4 Male Flare	2
20	40-01166-01	Elbow, Adapter, 1/4 FPT x 7/16 UNC	1
21	12-00299-01	Switch, Pressure, Low - Includes:	1
22	22-02392-00SV	Connector Kit, 2 Pin - Includes:	1
23	NSS	Connector, Male, 2 Pin, Black	1
24	22-02393-00	Terminal, Male (14-16 AWG)	2
25	22-02394-01	Seal, Cable, Blue (14-18 AWG)	2
26	Y39-00017-04	Plug, 5/16" ID Hose	1
27	Y47-00001-00	Tube, 5/16" ID Hose	1



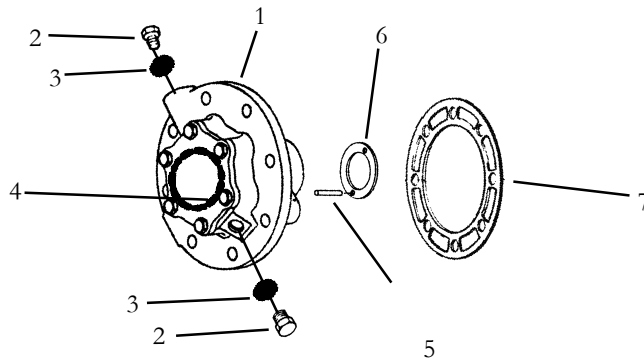
4 Compressor Internal Components - 05G -Twin Port and 3 Port Compressors

4.1 Compressor Internal Components - Shaft Seal-05G -Twin Port and 3 Port Compressors



Item	Part Number	Description	Qty
1	17-44770-00	Seal Assembly, Shaft, Includes:	1
2	NSS	Spring and Bellows Assembly	1
3	NSS	Rotor, Seal	1
4	17-44004-06	Gasket, Seal Cover (Metal)	1
5	NSS	Stator, Seal	1
6	NSS	O-Ring, Stator	1
7	17-44767-00	Hub Assembly, Housing Mounted Clutch, Twin Port, Includes:	1
8	17-44765-00	Seal, Lip	1
9	17-44041-01	Hub Assembly, Housing Mounted Clutch, Three Port, Includes:	1
10	17-44042-00	Felt Ring	1
4	17-44004-06	Gasket, Seal Cover (Metal)	1

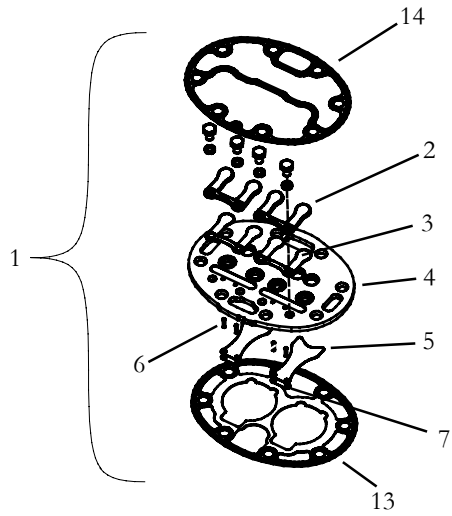
4.2 Compressor Internal Components - Oil Pump/Bearing End-05G -Twin Port and 3 Port Compressors



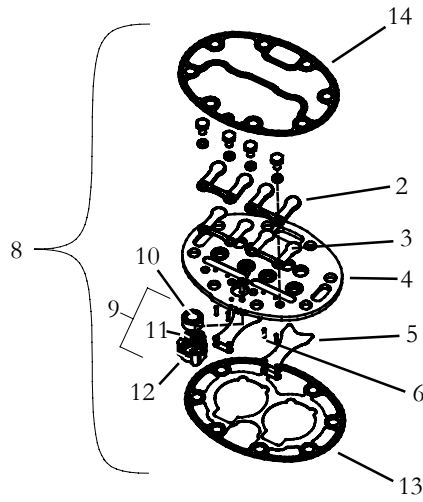
Item	Part Number	Description	Qty
1	17-44137-00	Oil Pump/Bearing Head, Includes:	1
2	17-44037-00	Plug, O-Ring, 7/16" - 20, Includes:	2
3	42-00243-07	O-Ring	2
4	17-44139-00	Pump Cover O-ring	1
5	17-40204-00	Roll Pin, 1/8" x 1/2"	2
6	17-55009-01	Thrustwasher, Pump End	1
7	17-40078-05	Gasket, Bearing Head (Fiber)	1
	17-44022-00	Gasket, Bearing Head (Metal)	1



4.3 Compressor Internal Components-05G Twin Port ONLY- Valve Plates



Center Head (or Side Head W/O Unloader)

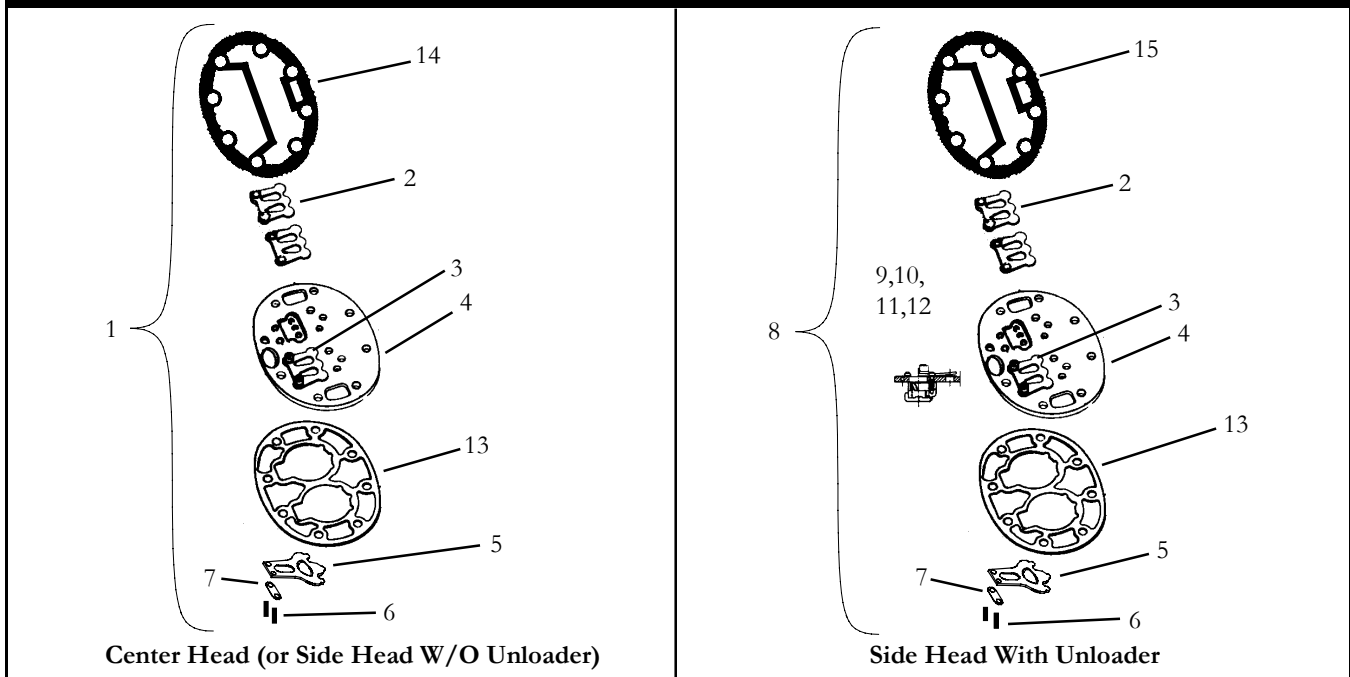


Side Head With Unloader

Item	Part Number	Description	Qty
1	17-44742-00	Valve Plate Assembly, Center Head or Side head no Unloader, Includes:	1
2	17-44750-01	Backer, Discharge Valve	2
3	17-44749-00	Valve, Discharge	2
4	NSS	Valve Plate	1
5	17-44748-00	Valve, Suction	2
6	17-40057-00	Dowel Pin, Suction Valve	4
7	17-44751-00	Spring, Suction Valve	2
8	17-44744-00	Valve Plate Assembly, Side Head with Unloader	1
2	17-44750-01	Backer, Discharge Valve	2
3	17-44749-00	Valve, Discharge	2
4	NSS	Valve Plate	1
5	17-44748-00	Valve, Suction	2
6	17-40057-00	Dowel Pin, Suction Valve	4
7	17-44751-00	Spring, Suction Valve	2
9	17-55012-00	Check Valve, Unloader, Includes:	1
10	17-40104-08	Piston, Check Valve	1
11	NSS	Spring, Check Valve	1
NS	NSS	Screw, Phillips	1
12	NSS	Check Valve Body	1
13	17-44746-00	Gasket, Valve Plate, Center or Side Head	1
14	17-44747-00	Gasket, Cylinder Head, Center or Side Head	1



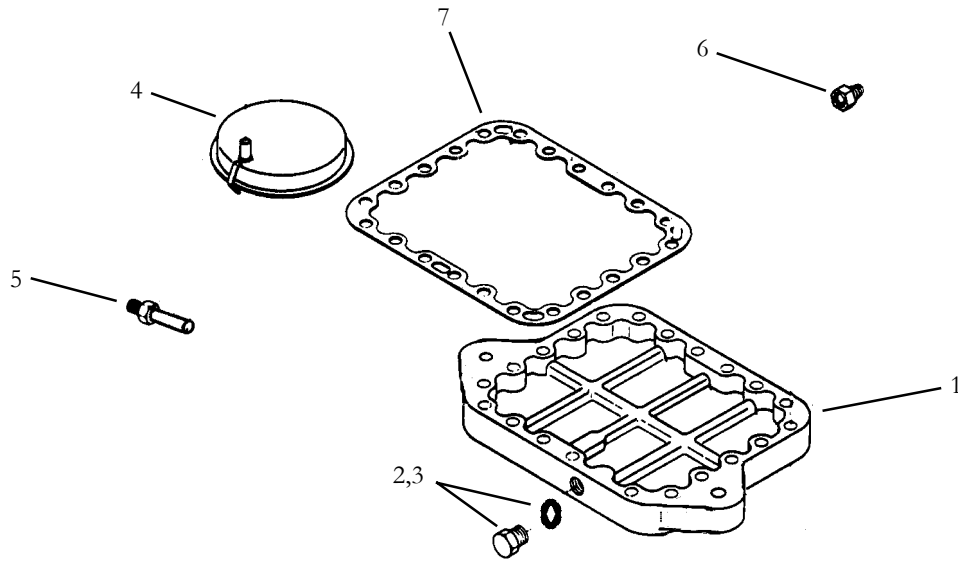
4.4 Compressor Internal Components-05G 3 Port ONLY- Valve Plates



Item	Part Number	Description	Qty
1	17-44107-00	Valve Plate Assembly, Center Head or Side head no Unloader, Includes:	1
2	17-44160-00	Backer,Discharge Valve	2
3	17-40086-00	Valve, Discharge	2
4	NSS	Valve Plate	1
5	17-44111-00	Valve, Suction	2
6	17-40057-00	Dowel Pin, Suction Valve	4
7	17-40083-00	Spring, Suction Valve	2
8	17-44106-00	Valve Plate Assembly, Side Head with Unloader	1
2	17-44160-00	Backer,Discharge Valve	2
3	17-40086-00	Valve, Discharge	2
4	NSS	Valve Plate	1
5	17-44111-00	Valve, Suction	2
6	17-40057-00	Dowel Pin, Suction Valve	4
7	17-40083-00	Spring, Suction Valve	2
9	17-55012-00	Check Valve, Unloader, Includes:	1
10	17-40104-08	Piston, Check Valve	1
11	NSS	Spring, Check Valve	1
NS	NSS	Screw, Phillips	1
12	NSS	Check Valve Body	1
13	17-44007-06	Gasket, Valve Plate, Center or Side Head	1
14	17-44123-00	Gasket, Cylinder Head, Center	1
15	17-44126-00	Gasket, Cylinder Head, Side Head (Hot Gas Bypass Unloader)	1



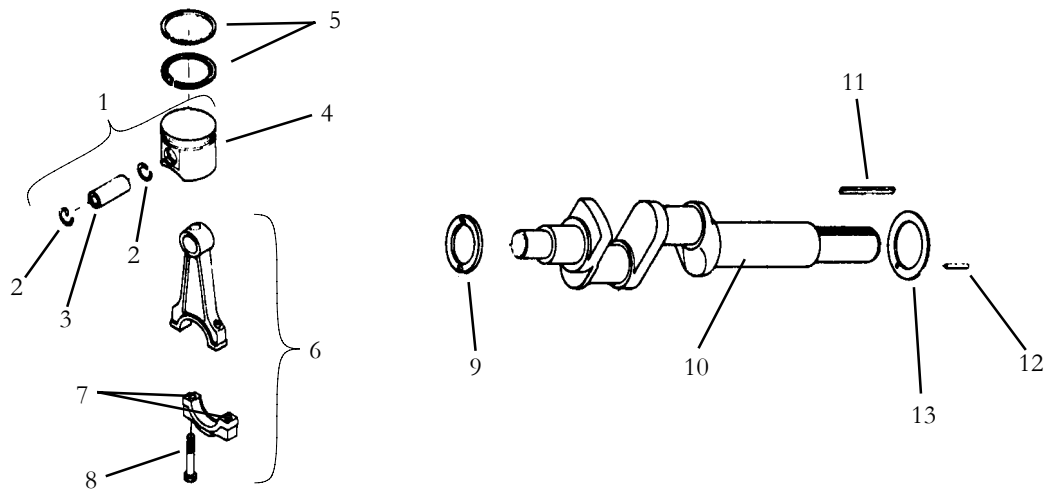
4.5 Compressor Internal Components - Base Components-05G -Twin Port and 3 Port Compressors



Item	Part Number	Description	Qty
1	17-44035-00	Bottom Plate, Aluminum	1
2	17-44037-00	Plug, O-ring, 7/16" -20, Includes:	1
3	42-00243-07	O-Ring	1
4	17-40020-00	Oil Filter Screen Assembly	1
5	17-44011-00	Oil Relief Valve (Pressure Regulator)	1
6	17-40042-00	Oil Return Check Valve Assembly	2
7	17-44129-00	Gasket, Bottom Plate (Metal)	1



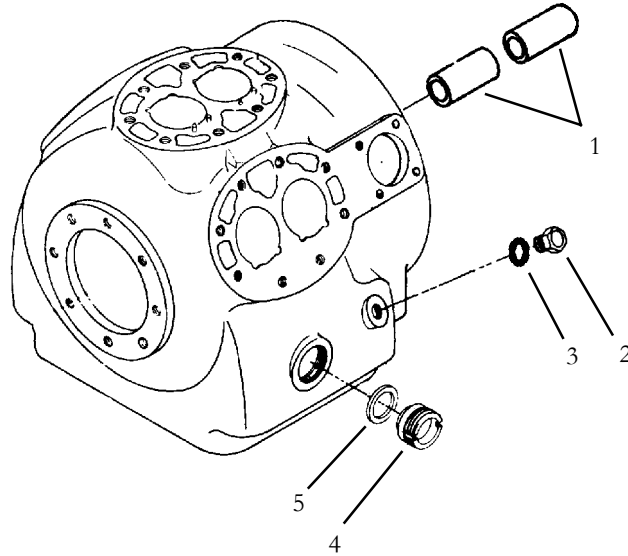
4.6 Compressor Internal Components - 05G Rods and Pistons-Twin Port and 3 Port Compressors



Item	Part Number	Description	Qty
1	17-44045-01	Piston, 05G37 CFM, Flat, Standard- Includes:	6
	17-44045-03	Piston, 05G37 CFM, Flat, .020 Inch Oversize- Includes:	
	17-44121-01	Piston, 05G41 CFM, Flat, Standard- Includes:	
	17-44122-01	Piston, 05G41 CFM, Flat, .020 Inch Oversize- Includes:	
2	NSS	Retainer, Piston Pin	2
3	NSS	Pin, Piston	1
4	NSS	Piston	1
5	17-40055-00	Ring, Compression (Standard)	12
	17-55025-00	Ring, Compression (0.20 Inch Oversize)	
6	17-40056-02	Connecting Rod and Cap Assembly, (Standard) - Includes:	6
	17-55023-00	Connecting Rod and Cap Assembly, (.010 Inch Undersized) - Includes:	A/R
7	17-40057-00	Pin, Dowel	2
8	17-55008-00	Capscrew (Special)	2
9	17-55009-01	Thrustwasher, Pump End	1
10	17-44074-00	Crankshaft Assembly, 05G37 CFM	1
	17-44075-00	Crankshaft Assembly, 05G41 CFM	
11	17-40324-00	Crankshaft Key, 1/4" x 1/4" x 1 1/2" Long (For Shaft Mounted Clutch)	1
	68G2-9072	Crankshaft Key, Special, (Housing Mounted Clutch)	
12	17-44036-00	Pin, Spiral, 1/8" x 1/2" Long	1
13	17-44008-00	Thrustwasher, Seal End	1



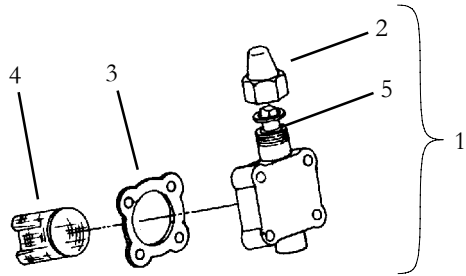
4.7 Compressor Internal Components - 05G Main Bearing and Misc. -Twin Port and 3 Port Compressors



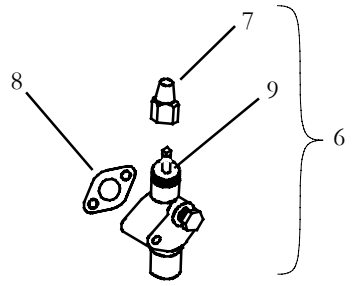
Item	Part Number	Description	Qty
1	17-44015-00	Main Bearing, Seal End (Requires Line Boring)	2
2	17-44037-00	Plug, O-ring, 7/16" - 20, Includes:	1
3	42-00243-07	O-Ring	1
4	17-10218-00	Sight Glass, Oil Level	2
5	17-10218-02	Gasket, (Fiber)	1
	17-44021-00	Gasket, (Metal)	
NS	17-44775-00	Gasket Set, Metal (Twin Port)	1



4.8 Compressor Components- 05G Service Valves - Twin Port and 3 Port Compressors



Suction Service Valves

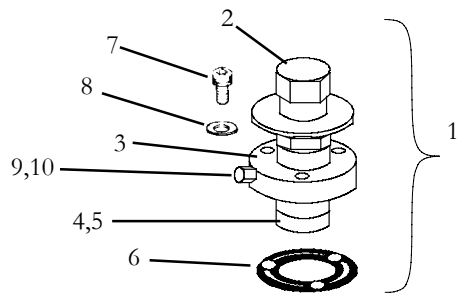


Discharge Service Valves

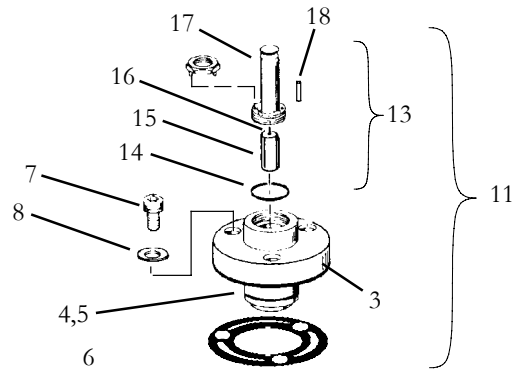
Item	Part Number	Description	Qty
1	17-31062-00	Valve, Service, 1 1/8" ODF	1
	17-40002-01	Valve, Service, 1 3/8" ODF	
2	17-10812-01	Cap, Service Valve, (Plastic)	1
	17-10806-10	Cap, Service Valve, (Brass)	
3	17-40005-05	Gasket, 4 Bolt Service Valve, (Fiber)	1
	17-44141-00	Gasket, 4 Bolt Service Valve, (Metal)	
4	17-44005-00	Strainer, Suction	1
5	34-50022-00	Packing Kit, Service Valve Stem (4-Bolt)	1
6	14-01042-07	Valve, Service, 7/8" ODF, (1/8" FPT Gauge Port)	1
	14-00206-01	Valve, Service, 7/8" ODF, (M15 Gauge Port For R-134a)	
7	17-10812-01	Cap, Service Valve (Plastic)	1
	17-10806-10	Cap, Service Valve (Brass)	
8	17-10811-05	Gasket, 2 Bolt Service Valve, (Fiber)	1
	17-44138-00	Gasket, 2 Bolt Service Valve, (Metal)	
9	34-50082-00	Graphite Packing, Service Valve Stem (2 Bolt)	1



4.9 Compressor Components- 05G Unloader Valves - Twin Port and 3 Port Compressors



Pressure Unloader



Electric Unloader

Item	Part Number	Description	Qty
1	17-55018-01	Valve Assembly, Pressure, Includes:	1
2	NSS	Power Assembly, (Suction Pressure Activated)	1
3	NSS	Body Assembly, Valve	1
4	17-40409-00	Piston, Unloader, Includes:	1
5	NSS	Ring, Piston	1
6	17-40104-07	Gasket, Unloader Valve	1
7	17-40111-00	Screw, Socket Head, 1/4" - 28 x 3/4" Long	3
8	17-40104-20	Gasket, Socket Head Screw, 1/4"	3
9	NSS	Cap, Adjustment Screw	1
10	NSS	O-Ring, Adjustment Screw Cap	1
11	17-40417-00	Valve Assembly, Electric, Includes:	1
12	NSS	Body Assembly, Valve	1
4	17-40409-00	Piston, Unloader, Includes:	1
5	NSS	Ring, Piston	1
6	17-40104-07	Gasket, Unloader Valve	1
7	17-40111-00	Screw, Socket Head, 1/4" - 28 x 3/4" Long	3
8	17-40104-20	Gasket, Socket Head Screw, 1/4"	3
13	17-40418-00	Kit, Valve Stem Repair (For 17-40417-00), Includes:	1
14	42-00243-03	Gasket, O-Ring	1
15	NSS	Plunger Assembly	1
16	NSS	Spring, Plunger	1
17	NSS	Enclosing Tube	1
18	34-06026-00	Pin, Unloader Coil Retainer	1

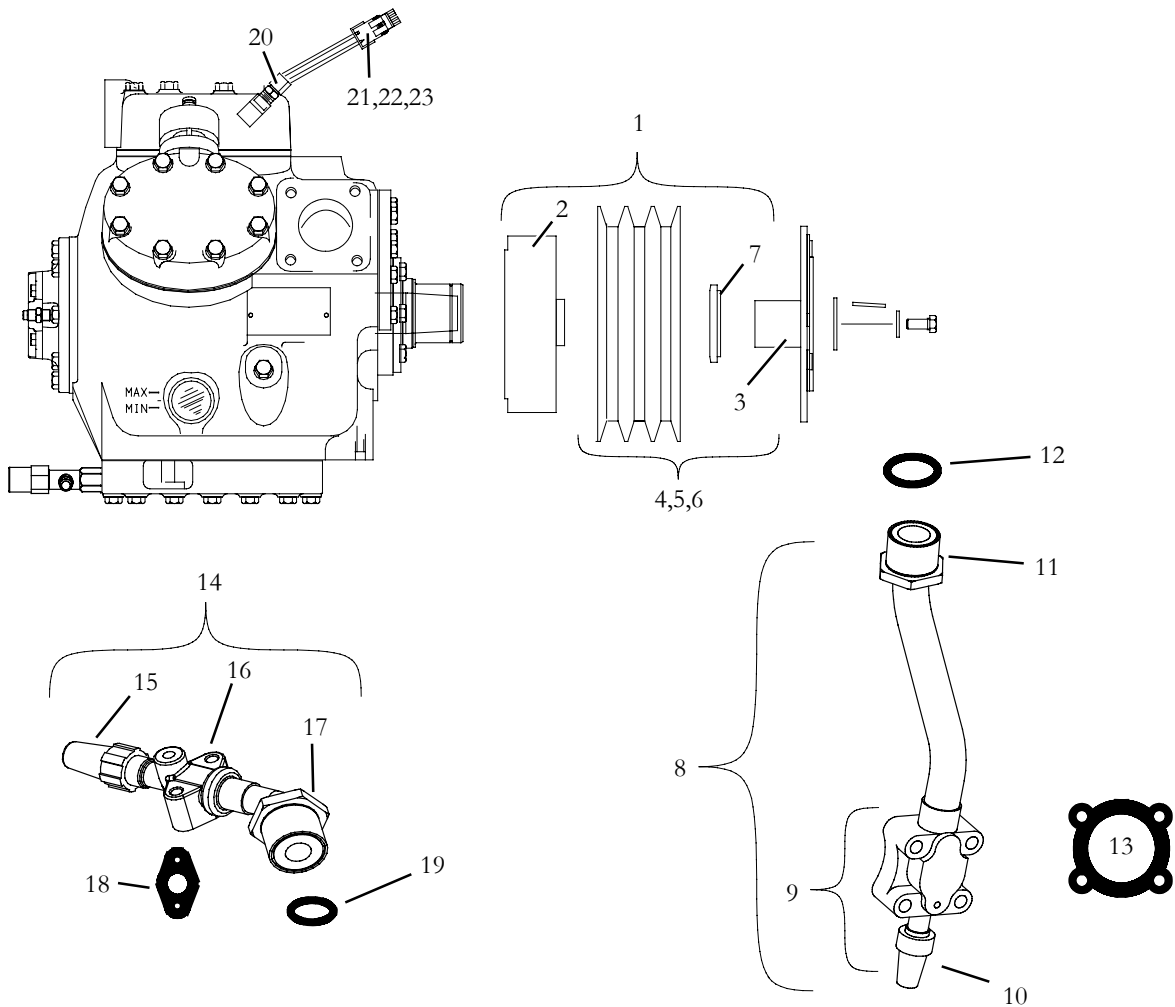
4.10 Compressor Components- 05G Pressure to Electric Unloader Kits - Twin Port and 3 Port Compressors

Item	Part Number	Description	Qty
NS	74-50111-00	Kit, Conversion, Pressure Hot gas Bypass to Electric, R-134a (24 VDC)	1
	74-50111-01	Kit, Conversion, Pressure Hot gas Bypass to Electric, R-22 (24 VDC)	



5 Compressor Installation Components - 05G - R-134a Systems

5.1 Compressor Installation Components - 05G - R-134a Systems - Y61-05G02-21



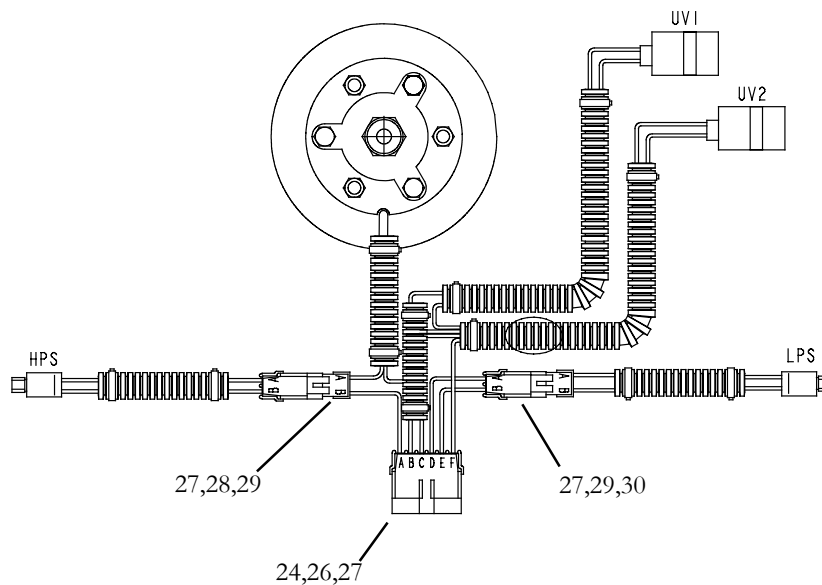
Note: Common Parts Are Listed In Section 3

Item	Part Number	Description	Qty
1	50-01122-12	Clutch Assembly, 24 VDC (Less Lock Nut Item 7) - Includes:	1
2	50-01122-50	Coil, Clutch, 24 VDC	1
3	NSS	Armature Assembly	1
4	NSS	Rotor And Armature Assembly (2-5V Groove) - Includes:	1
5	04-00130-00	Bearing	1
6	34-01186-00	Ring, Retainer	1
7	34-06083-00	Nut, Lock, Clutch, Special	1
8	Y27-00127-00	Valve Assembly, Suction, With Tube & Fitting (#24 ORS) - Includes:	NSI
9	14-00171-00	Valve Assembly, Suction, - Includes:	1
10	17-10812-01	Cap, Service Valve Stem, With "O" Ring, Plastic	1
11	40-00491-04	Fitting, ORS, 2" - 12	1
12	42-00243-02	O-Ring, 1.484 ID x 0.139 THK	1
13	17-40005-05	Gasket, Suction Service Valve (Valve to Compressor)	1
14	Y27-00127-01	Valve Assembly, Discharge, With Tube & Fitting - Includes:	NSI



5.1 Compressor Installation Components - 05G - R-134a Systems - Y61-05G02-21 (Continued)

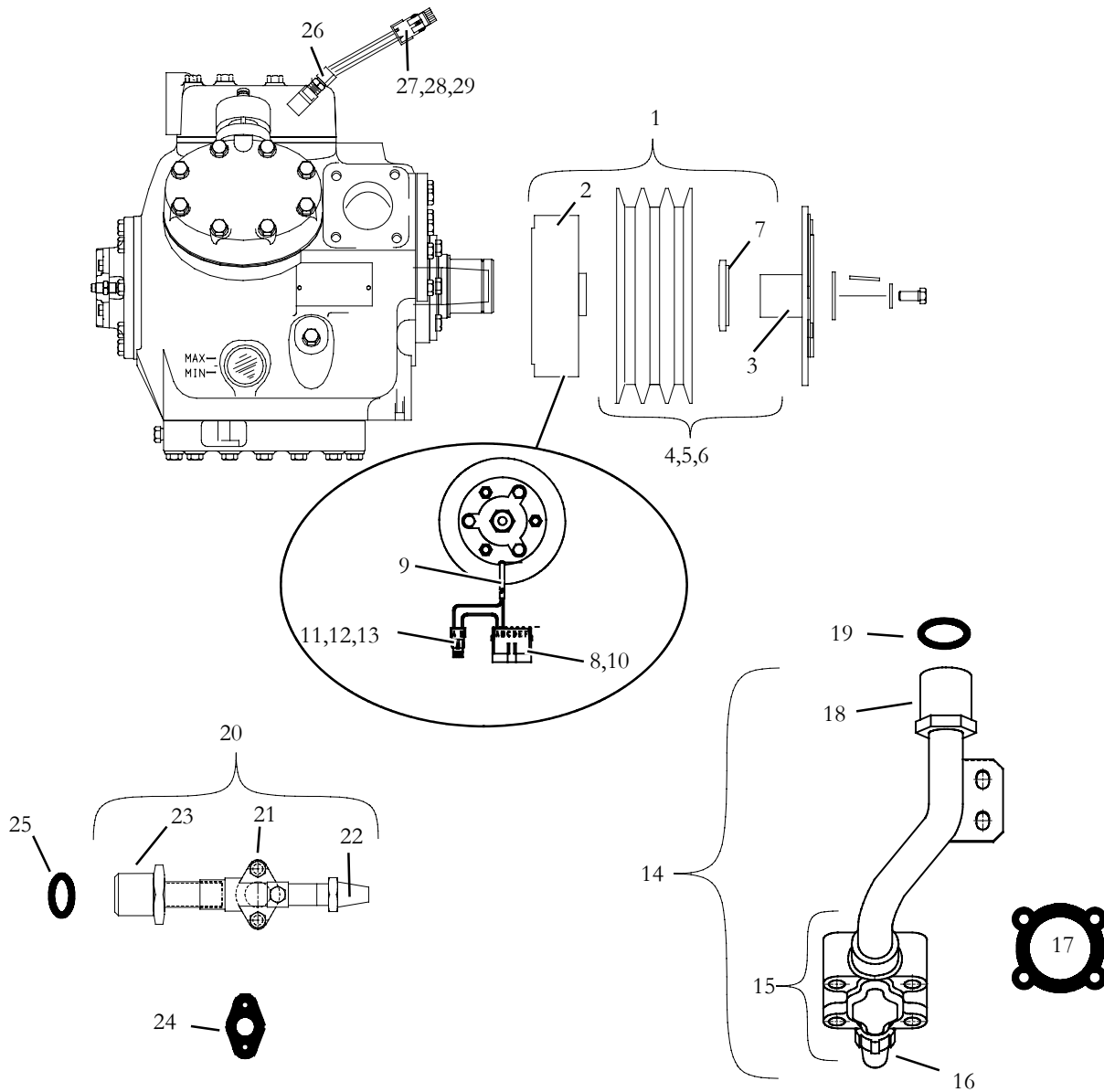
Item	Part Number	Description	Qty
15	17-10812-00	Cap, Service Valve Stem, With "O" Ring, Plastic	1
16	14-01042-00	Valve, Discharge, Service, 7/8 ODS - Includes:	1
17	40-00491-08	Fitting, ORS, 1-11/16" - 12	1
18	17-10811-05	Gasket, Discharge Service Valve (Valve To Compressor)	1
19	42-00243-01	O-Ring, 1.171 ID x 0.139 THK	1
20	12-00299-22	Switch, Pressure, High (Open 350-370 psig/Close 270-300 psig) - Includes:	1
21	22-01585-00	Connector, Male, 2 Pin, Black	1
22	22-02393-00	Terminal, Male (14-16 AWG)	2
23	22-02394-01	Seal, Cable, Blue	2



Item	Part Number	Description	Qty
24	22-01775-00	Connector, Female, 6 Pin, Black	1
25	58-00858-00	Tubing, Split, Corrugated, 1/4 Inch ID x 25 Feet Long	1
26	22-02393-00	Terminal, Male (14-16 AWG)	4
27	22-02394-01	Seal, Cable, Blue	6
28	22-01585-00	Connector, Tower, 2 Pin, Black	1
29	22-01566-00	Terminal, Female (14-16 AWG)	4
30	22-02392-00	Connector, Shroud, 2 Pin, Black	1



5.2 Compressor Installation Components - 05G - R-134a Systems - 68PD541-124-33



Note: Common Parts Are Listed In Section 3

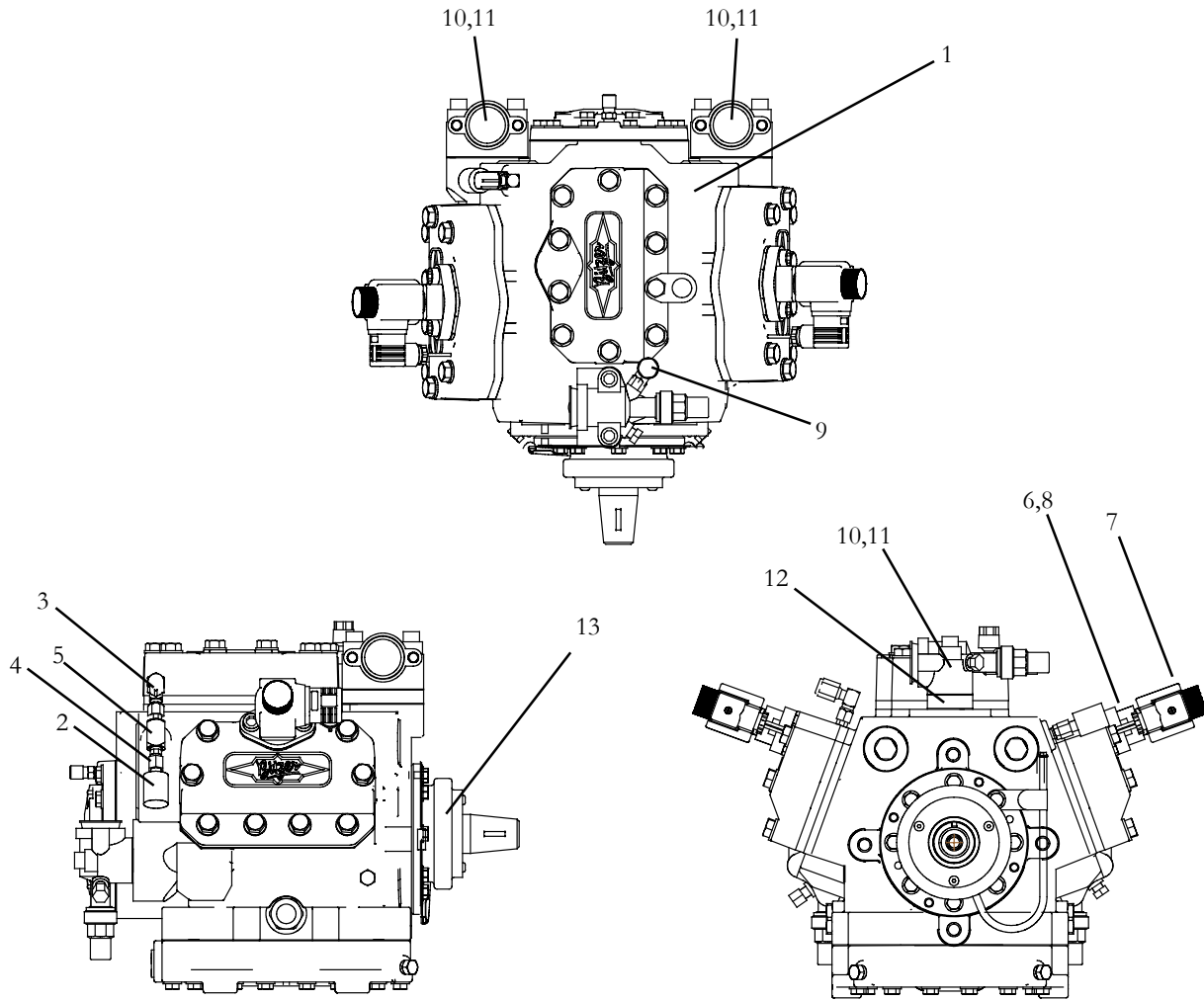
Item	Part Number	Description	Qty
1	50-01122--12	Clutch Assembly, 24 VDC (Less Lock Nut Item 7) - Includes:	1
2	50-01122-50	Coil, Clutch, 24 VDC	1
3	NSS	Armature Assembly	1
4	50-01122-68	Rotor And Armature Assembly (2-5V Groove) - Includes:	1
5	04-00130-00	Bearing	1
6	34-01186-00	Ring, Retainer	1
7	34-06083-00	Nut, Lock, Clutch, Special	1
8	22-01775-00	Connector, Female, 6 Pin, Black	1
9	58-00858-00	Tubing, Split, Corrugated, 1/4 Inch ID x 25 Feet Long	1



5.2 Compressor Installation Components - 05G - R-134a Systems - 68PD541-124-33 (Continued)			
Item	Part Number	Description	Qty
10	22-02393-00	Terminal, Male (14-16 AWG)	2
11	22-02394-01	Seal, Cable, Blue	4
12	22-01566-00	Terminal, Female (14-16 AWG)	2
13	22-01585-00SK	Connector, Male, 2 Pin, Black	1
14	81-01970-00	Valve Assembly, Suction, With Tube & Fitting - Includes:	NSI
15	17-40002-01	Valve Assembly, Suction, - Includes:	1
16	17-10812-01	Cap, Service Valve Stem, With "O" Ring, Plastic	1
17	17-40005-05	Gasket, Suction Service Valve (Valve to Compressor)	1
18	40-00491-08	Fitting, ORS, 1-11/16"	1
19	42-00243-01	O-Ring, 1.19 ID x 1.44 OD	2
20	68PD---1---102-2	Valve Assembly, Discharge, With Tube & Fitting - Includes:	NSI
21	14-01042-10	Valve, Discharge, Service, 7/8 ODF - Includes:	1
22	17-10812-00	Cap, Service Valve Stem, With "O" Ring, Plastic	1
23	40-00491-00	Fitting, ORS, 7/8 ODF x 1-7/16	1
24	17-10811-05	Gasket, Discharge Service Valve (Valve To Compressor)	1
25	42-00243-00	O-Ring, ORS-10, 0.94 ID x 1.19 OD	2
26	12-00299-14	Switch, Pressure, High - Includes:	1
27	22-01585-00SK	Connector, Male, 2 Pin, Black	1
28	22-02393-00	Terminal, Male (14-16 AWG)	2
29	22-02394-01	Seal, Cable, Blue	2



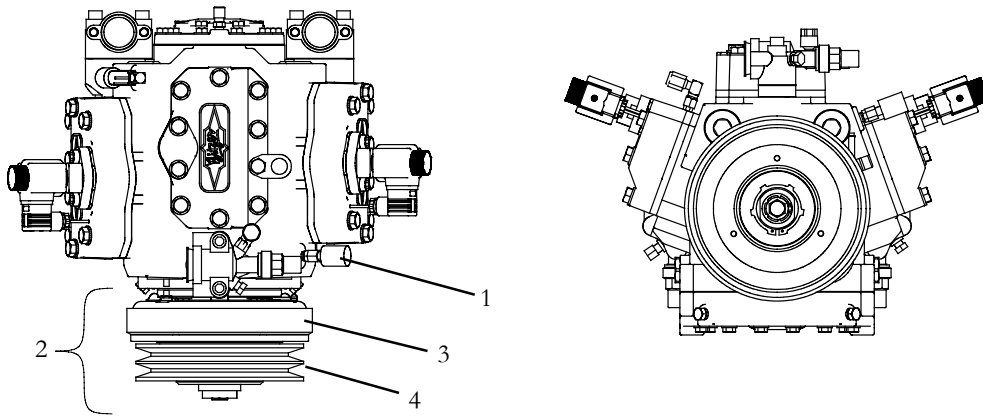
6 Compressor Components - 6NFC Bitzer - COMMON PARTS



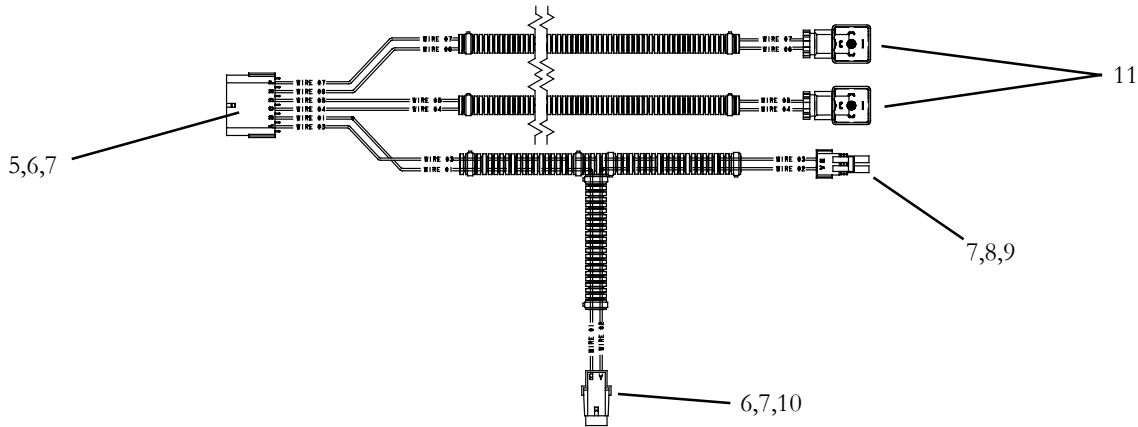
Item	Part Number	Description	Qty
1	Y61-NFC02-99	Compressor Assembly, 6NFC Bitzer (Bare)	1
2	12-00299-01	Switch, Low Pressure (Open 3-9psig/ Close 22-28psig)	1
3	40-62116-01	Fitting, Adaptor, 134a LS Port	1
4	40-00249-00	Tee, Male Branch (FPT x FPT x MPI)	1
5	40-00190-00	Fitting, Adaptor, 1/8" Pipe x 1/4" Flare	2
6	14-00370-00	Unloader Valve	2
7	22-62268-00	Coil, Unloader	2
8	42-62136-00	Gasket, Unloader	2
9	40-62117-01	Fitting, Adaptor, 134a HS Port	1
10	14-00374-00	Valve, Service, Compressor	3
11	42-62134-00	Gasket, Service	3
12	48-62035-00	Spacer, Service Valve	1
13	Y60-00012-00	Seal, Shaft	1



6.1 Compressor Installation Components - 6NFC Bitzer - Y61-NFC02-01 & -02



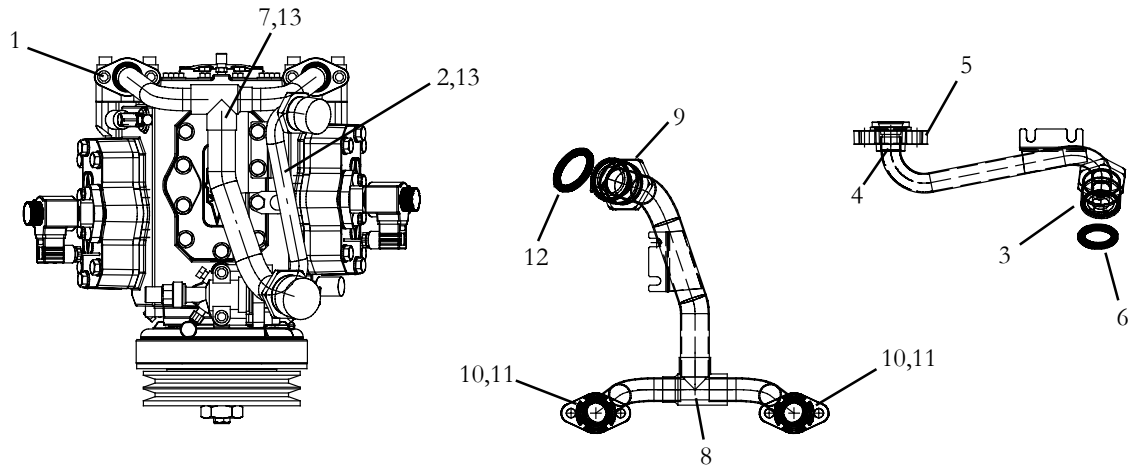
Item	Part Number	Description	Qty
1	12-00299-03	Switch, High Pressure (Open 350-370psig/ Close 270-300 psig)	1
2	Y60-00006-03	Clutch Assembly, 24 VDC Linnig Series, 2-5V Groove (Includes):	1
3	Y60-00006-56	Coil, Clutch 24VDC w/1 Connector	1
4	Y60-00006-78	Pulley, 2-5V x 200mm O.D.	1



Item	Part Number	Description	Qty
5	22-01775-00	Connector, Shroud, 6 Way	1
6	22-02393-00	Terminal, Male	8
7	22-02394-00	Seal, Wire	10
8	22-01585-02	Connector, Tower, 2 Way	1
9	22-01566-00	Terminal, Female	2
10	22-02392-01	Connector, Shroud, 2 Way	1
11	22-62268-02	Connector, Unloader Bitzer	2



6.2 Compressor Installation Components - 6NFC Bitzer - Specific to Y61-NFC02-02



Item	Part Number	Description	Qty
1	Ref. Only	Screw, Cap SKTHD, 10mm - 1.50 x 40mm	6
2	Y27-00155-00	Tube Assembly, Discharge #20 ORS, Includes:	NSI
3	40-00491-18	Fitting, ORS, 1-11/16" - 12	1
4	40-62107-00	Flange, Tube, Bitzer	1
5	48-62032-00	Flange, Body, Bitzer	1
6	42-00243-01	O-Ring, 1.171 ID x 0.139 THK	1
7	Y27-00156-00	Tube Assembly, Suction #24 ORS	NSI
8	40-00169-54	Tee, Reducing, 1-1/8" x 1-1/8" x 1-3/8" Solder	1
9	40-00491-04	Fitting, ORS, 2" - 12	1
10	40-62108-00	Flange, Tube, Bitzer	2
11	40-62032-00	Flange, Body, Bitzer	2
12	42-00243-02	O-Ring, 1.484 ID x 0.139 THK	1
13	42-62135-00	Gasket, Service Valve	3



INDEX

Part#	Page#	Part#	Page#
0			
04-00130-00	20, 22	17-40086-00	14
06DA403844	11	17-40104-07	19
		17-40104-08	13, 14
		17-40104-20	19
		17-40111-00	19
		17-40204-00	12
		17-40324-00	16
		17-40409-00	19
		17-40417-00	19
		17-40418-00	19
		17-44004-06	12
		17-44005-00	18
		17-44007-06	14
		17-44008-00	16
		17-44011-00	15
		17-44015-00	17
		17-44021-00	17
		17-44022-00	12
		17-44035-00	15
		17-44036-00	16
		17-44037-00	12, 15, 17
		17-44041-01	12
		17-44042-00	12
		17-44045-01	16
		17-44045-03	16
		17-44074-00	16
		17-44075-00	16
		17-44106-00	14
		17-44107-00	14
		17-44111-00	14
		17-44121-01	16
		17-44122-01	16
		17-44123-00	14
		17-44126-00	14
		17-44129-00	15
1			
12-00299-01	11, 24		
12-00299-03	25		
12-00299-14	23		
12-00299-22	21		
14-00171-00	20		
14-00206-01	18		
14-00370-00	24		
14-00374-00	24		
14-01042-00	21		
14-01042-07	18		
14-01042-10	23		
14-01093-00	11		
17-10218-00	17		
17-10218-02	17		
17-10806-10	18		
17-10811-05	18, 21, 23		
17-10812-00	21, 23		
17-10812-01	18, 20, 23		
17-31062-00	18		
17-40002-01	18, 23		
17-40005-05	18, 20, 23		
17-40020-00	15		
17-40042-00	15		
17-40055-00	16		
17-40056-02	16		
17-40057-00	13, 14, 16		
17-40078-05	12		
17-40083-00	14		



INDEX

Part#	Page#	Part#	Page#
17-44137-00	12	22-02393-01	10
17-44138-00	18	22-02394-00	11, 25
17-44139-00	12	22-02394-01	11, 21, 23
17-44141-00	18	22-02804-02	10
17-44160-00	14	22-62268-00	24
17-44742-00	13	22-62268-02	25
17-44746-00	13	24-14119	4
17-44747-00	13	24-14147	4
17-44748-00	13	24-14254	4
17-44749-00	13	29-0205	4
17-44750-01	13	29-0449	4
17-44751-00	13	29-1584	5, 9
17-44765-00	12	29-1585	5, 9
17-44767-00	12	29-1586	5, 8
17-44770-00	12	29-1646	5
17-44775-00	17	29-1647	5
17-55008-00	16	29-1648	5
17-55009-01	12, 16	29-1649	5
17-55012-00	13, 14	29-1659	4
17-55018-01	19	29-1660	4
17-55023-00	16	29-1668	5
17-55025-00	16		
18-00091-160RM	10	3	
2		34-00613-10	11
22-01566-00	21, 23, 25	34-01186-00	20, 22
22-01585-00	21	34-06026-00	19
22-01585-00SK	23	34-06083-00	20, 22
22-01585-02	11, 25	34-50022-00	18
22-01775-00	21, 22, 25	34-50082-00	18
22-02392-00	21	39-0027	5
22-02392-00SV	11	39-0028	5, 9
22-02392-01	10, 25	39-0029	5, 9
22-02393-00	11, 21, 23, 25	39-0031	9
		39-0034	5



INDEX

Part#	Page#	Part#	Page#
39-0035	4, 8	40-01166-01	11
39-0039	6	40-62032-00	26
39-0054	5	40-62107-00	26
39-0055	5	40-62108-00	26
39-0056	5	40-62116-01	24
39-0057	5	40-62117-01	24
39-0058	5	42-00243-00	23
39-0059	5	42-00243-01	21, 23, 26
39-0060	5	42-00243-02	26
39-0061	5	42-00243-03	19
39-0063	6	42-00243-07	12, 15, 17
39-0066	6	42-62134-00	24
39-0067	6	42-62135-00	26
39-0071	5	42-62136-00	24
39-0074	5	48-62032-00	26
39-0075	5	48-62035-00	24
39-0076	5		
39-0077	5		
39-0078	5		
		5	
		50-01122--12	22
		50-01122-12	20
		50-01122-50	20, 22
		50-01122-68	22
		58-00858-00	21, 22
		6	
		68G2-9072	11, 16
		68G2-9082	11
		68PD---1---102-2	23
		7	
		74-50111-00	19
		74-50111-01	19
		8	
		81-01970-00	23
4			
40-00169-54	26		
40-00190-00	24		
40-00249-00	24		
40-00491-00	23		
40-00491-04	20, 26		
40-00491-08	21, 23		
40-00491-18	26		
40-00520-00	11		
40-00520-01	11		
40-00520-02	11		
40-00520-03	11		
40-00524-00	11		
40-00524-01	11		



INDEX

Part#	Page#	Part#	Page#
T			
T19-0829	2	Y27-00127-01	20
T19-0830	2	Y27-00155-00	26
T19-0831	2	Y27-00156-00	26
T19-0832	2	Y29-00029	8
T24-14407	2, 3	Y29-00030	9
T24-14408	4	Y29-00034	9
T24-14412	4	Y29-00035	9
T25-3650	5	Y29-00043	8
T29-1687	5	Y29-00046	8
T30-0039	5	Y29-00047	9
Y			
Y24-00350-00	8	Y29-00048	8
Y24-00351-00	8	Y39-00017-04	11
Y24-00352-01	9	Y39-00022	8
Y24-00354-00	9	Y39-00026	9
Y24-00355-01	9	Y39-00027	9
Y24-00356-00	9	Y47-00001-00	11
Y24-00357-01	8	Y60-00006-03	25
Y24-00358-01	9	Y60-00006-56	25
Y27-00127-00	20	Y60-00006-78	25
		Y60-00012-00	24
		Y61-05G02-98	10
		Y61-NFC02-99	24

Every driver deserves the best possible vehicle climate with MCC products

MCC provides exceptional performance in mobile climate comfort.



www.mcc-hvac.com

Member of MCC Group • Certified ISO 9001 and ISO 14001.
Specifications subject to change without notice. MCC is a registered trademark.