

**SERVICE PARTS**  
**for**  
**TRANSIT COMPRESSORS and MOUNTS**

**T-370PL**

REV. 08/2015



TABLE OF CONTENTS

**SAFETY SUMMARY** ..... Safety-1

**MOUNT MATRIX** ..... Spec-1

**COMPRESSOR MATRIX** ..... Spec-1

**SERVICE PARTS** ..... 1

INTRODUCTION ..... 1

CONFIGURATION IDENTIFICATION ..... 1

GENERAL NOTES ..... 1

1 MCC Mount Kit 19-0811 ..... 2

    1.1 MCC Mount Kit 19-0811, Main Bracket Assembly ..... 3

    1.2 MCC Mount Kit 19-0811, Base Plate Assembly T19-0829 ..... 4

    1.2 MCC Mount Kit 19-0811, Base Plate Assembly T19-0829: (Continued) ..... 5

    1.3 MCC Mount Kit 19-0811, Intermediate Pulley Kit T19-0830 ..... 5

    1.4 MCC Mount Kit 19-0811, Crankshaft Pulley Kit T19-0831 ..... 6

    1.5 MCC Mount Kit 19-0811, Belt Kit T19-0832 ..... 6

    1.6 MCC Mount Kit 19-0811, Maintenance Instructions/Recommendations ..... 7

2 MCC Mount Kit Y19-00005 ..... 8

    2.1 MCC Mount Kit Y19-00005, Belts ..... 9

3 Compressor Installation Components - O5G - R-134a Systems - Common Parts ..... 10

4 Compressor Internal Components - O5G -Twin Port and 3 Port Compressors ..... 12

    4.1 Compressor Internal Components - Shaft Seal-O5G -Twin Port and 3 Port Compressors ..... 12

    4.2 Compressor Internal Components - Oil Pump/Bearing End-O5G -Twin Port and 3 Port Compressors ..... 12

    4.3 Compressor Internal Components-O5G Twin Port ONLY- Valve Plates ..... 13

    4.4 Compressor Internal Components-O5G 3 Port ONLY- Valve Plates ..... 14

    4.5 Compressor Internal Components - Base Components-O5G -Twin Port and 3 Port Compressors ..... 15

    4.6 Compressor Internal Components - 05G Rods and Pistons-Twin Port and 3 Port Compressors ..... 16

    4.7 Compressor Internal Components - 05G Main Bearing and Misc. -Twin Port and 3 Port Compressors ..... 17

    4.8 Compressor Components- 05G Service Valves - Twin Port and 3 Port Compressors ..... 18

    4.9 Compressor Components- 05G Unloader Valves - Twin Port and 3 Port Compressors ..... 19

    4.10 Compressor Components- 05G Pressure to Electric Unloader Kits - Twin Port and 3 Port Compressors ..... 19

5 Compressor Installation Components - O5G - R-134a Systems ..... 20

    5.1 Compressor Installation Components - O5G - R-134a Systems - Y61-05G02-21 ..... 20

    5.2 Compressor Installation Components - O5G - R-134a Systems - 68PD541-124-33 ..... 22

6 Compressor Components - 6NFC Bitzer - COMMON PARTS ..... 24

    6.1 Compressor Installation Components - 6NFC Bitzer - Y61-NFC02-01 & -02 ..... 25

    6.2 Compressor Installation Components - 6NFC Bitzer - Specific to Y61-NFC02-02 ..... 26



## **SAFETY SUMMARY**

### **GENERAL SAFETY NOTICES**

The following general safety notices supplement the specific warnings and cautions appearing elsewhere in this manual. They are recommended precautions that must be understood and applied during operation and maintenance of the equipment covered herein. A listing of the specific warnings and cautions appearing elsewhere in the manual follows the general safety notices.

### **FIRST AID**

An injury, no matter how slight, should never go unattended. Always obtain first aid or medical attention immediately.

### **OPERATING PRECAUTIONS**

Always wear safety glasses.

Keep hands, clothing and tools clear of the evaporator and condenser fans, as well as belts and pulleys.

No work should be performed on the unit until all circuit breakers and start-stop switches are placed in the OFF position, engine disabled and power supply is disconnected.

Always work in pairs. Never work on the equipment alone.

In case of severe vibration or unusual noise, stop the unit and investigate.

### **MAINTENANCE PRECAUTIONS**

Beware of unannounced starting of the evaporator and condenser fans. Do not open the unit cover before turning power off.

Be sure power is turned off before working on motors, controllers, solenoid valves and electrical controls. Tag circuit breaker and power supply to prevent accidental energizing of circuit.

Do not bypass any electrical safety devices, e.g. bridging an overload, or using any sort of jumper wires. Problems with the system should be diagnosed, and any necessary repairs performed, by qualified service personnel.

When performing any arc welding on the unit, disconnect all wire harness connectors from the modules in the control box. Do not remove wire harness from the modules unless you are grounded to the unit frame with a static-safe wrist strap.

In case of electrical fire, open circuit switch and extinguish with CO<sub>2</sub> (never use water).

### **SPECIFIC WARNINGS AND CAUTIONS**



**WARNING**

**Be sure to observe warnings listed in the safety summary in the front of this manual before performing maintenance on the hvac system**



**WARNING**

**Read the entire procedure before beginning work. Park the coach on a level surface, with parking brake applied. Turn main electrical disconnect switch to the off position.**



**SPECIFIC WARNINGS AND CAUTIONS - Continued:**



**WARNING**

Battery disconnect should be off.



**WARNING**

Extreme care must be taken when opening the coolant system. Coolant may be hot, and exposure to the skin and eyes could result in injury.



**CAUTION**

Use care when checking/manipulating wires/plugs attached to electrical components. Damage to the component or wiring harness can occur.



### **MOUNT MATRIX**

| <b>MOUNT KIT</b> | <b>DESCRIPTION</b> | <b>WHERE USED</b> | <b>SECTION</b> |
|------------------|--------------------|-------------------|----------------|
| 19-0811          | Compressor Mount   | Nova              | 1              |
| 19-0005          | Compressor Mount   | New Flyer         | 2              |

### **COMPRESSOR MATRIX**

| <b>COMPRESSOR MODEL</b> | <b>DESCRIPTION</b>        | <b>WHERE USED</b>    | <b>SECTION</b> |
|-------------------------|---------------------------|----------------------|----------------|
| 05G                     | Common Installation Parts | Transit Applications | 3              |
| 05G                     | Internal Component Parts  | Transit Applications | 4              |
| Y61-05G02-21            | Installation Components   | New Flyer            | 5.1            |
| 68PD541-124-33          | Installation Components   | Nova Bus             | 5.2            |
| Bitzer NFC              | Common Installation Parts | Transit Applications | 6              |
| Y61-NFC02-01 & -02      | 6NFC Bitzer Common Parts  | Nova Bus             | 6.1&6.2        |



## **SECTION 1**

### **SERVICE PARTS**

#### **INTRODUCTION**

This section provides identification of service replacement parts for the Mobile Climate Control Transit Compressors and Mount Kits.

#### **CONFIGURATION IDENTIFICATION**

Compressor identification information is provided on a plate (decal) located on the compressor assembly. This plate provides the unit model number and the unit serial number. The model number identifies the unit configuration and differences in detailed parts.

#### **GENERAL NOTES**

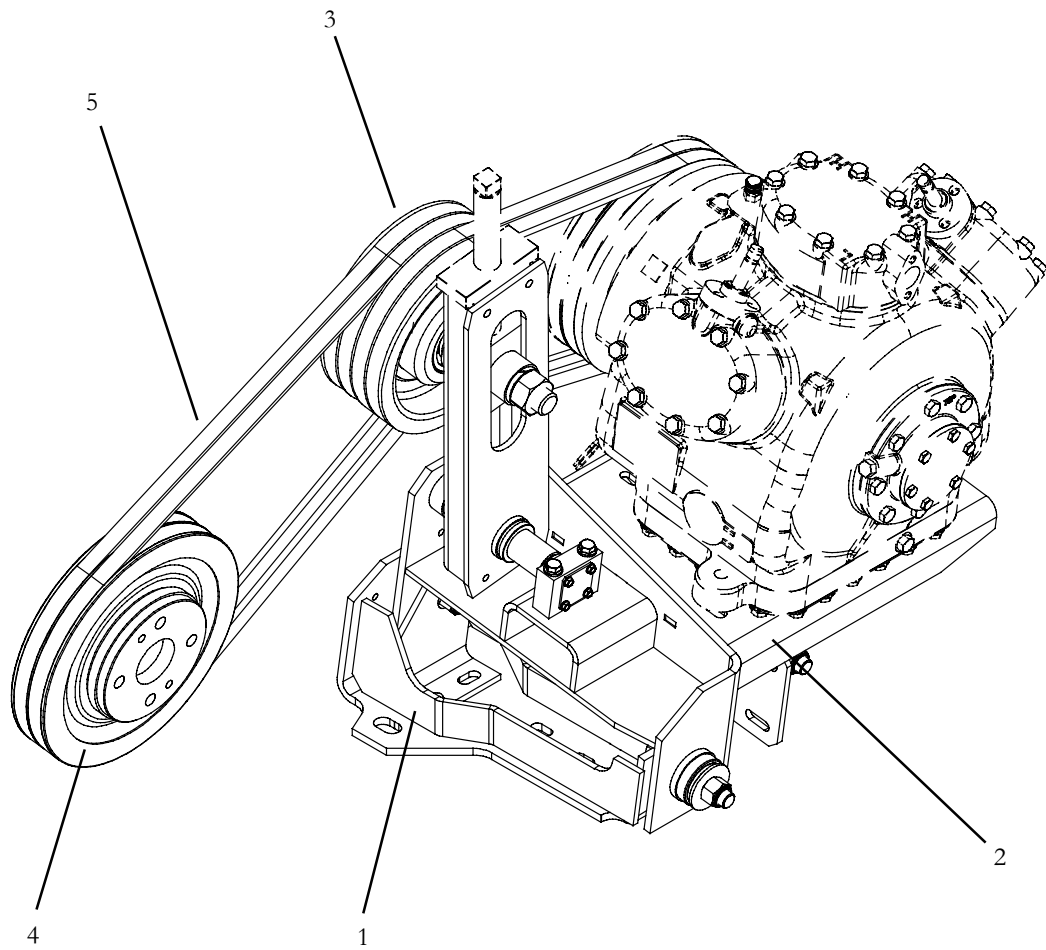
To find replacement parts, determine major group in which replacement parts are located and turn to the appropriate page for the illustrated breakdown of the replacement parts. The following letter designations are used to classify parts throughout this list. Parts can be obtained by ordering from the following website:

**[www.mcc-hvac.com](http://www.mcc-hvac.com)**

- A/R As Required
- N.S. Not Shown on Illustration
- NSI Non-Stock Item (Items **may not be available** for purchase, or **may require extended lead times**)
- NSS Not Sold Separately - Order next higher assembly or kit.
- P-- Suffix P-- added to part number means part is available in packaged quantity only.
- PL Purchase Locally
- SS Stainless Steel
- SV Suffix SV added to part number designates service replacement part.



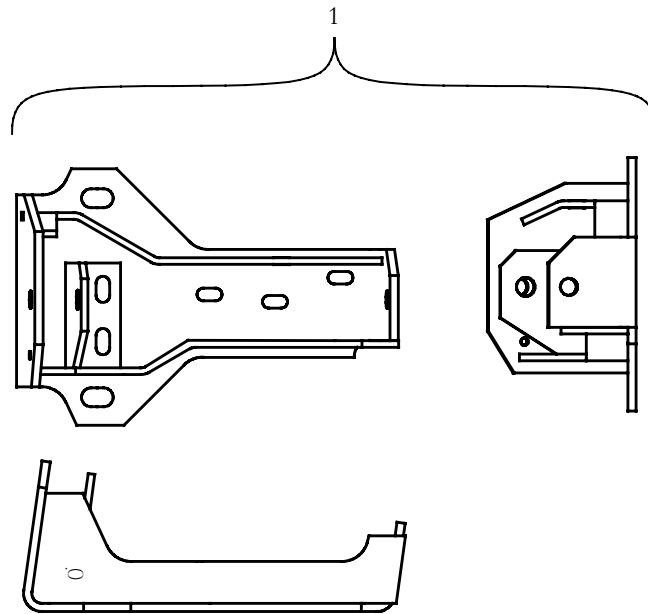
1 MCC Mount Kit 19-0811



| Item | Part Number | Description                                | Qty |
|------|-------------|--|-----|
| 1    | T24-14407   | Main Bracket Assembly: (See Section 1.1)   | NSI |
| 2    | T19-0829    | Base Plate Assembly: (See Section 1.2)     | NSI |
| 3    | T19-0830    | Intermediate Pulley Kit: (See Section 1.3) | NSI |
| 4    | T19-0831    | Crankshaft Pulley Kit: (See Section 1.4)   | NSI |
| 5    | T19-0832    | Belt Kit: (See Section 1.5)                | NSI |



1.1 MCC Mount Kit 19-0811, Main Bracket Assembly

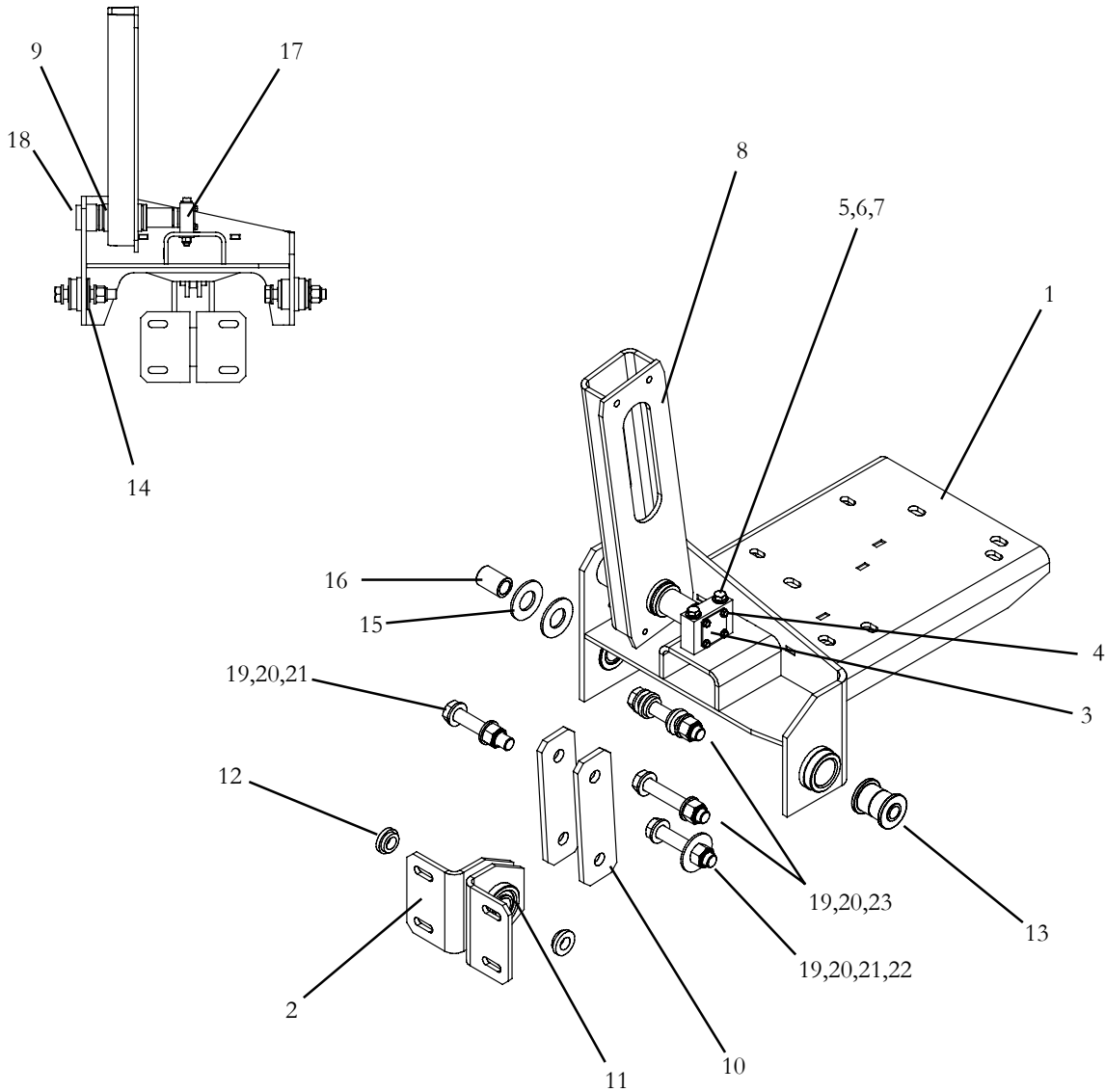


| Item | Part Number | Description                    | Qty |
|------|-------------|--------------------------------|-----|
| 1    | T24-14407   | Main Bracket Assembly (Welded) | NSI |





**1.2 MCC Mount Kit 19-0811, Base Plate Assembly T19-0829**



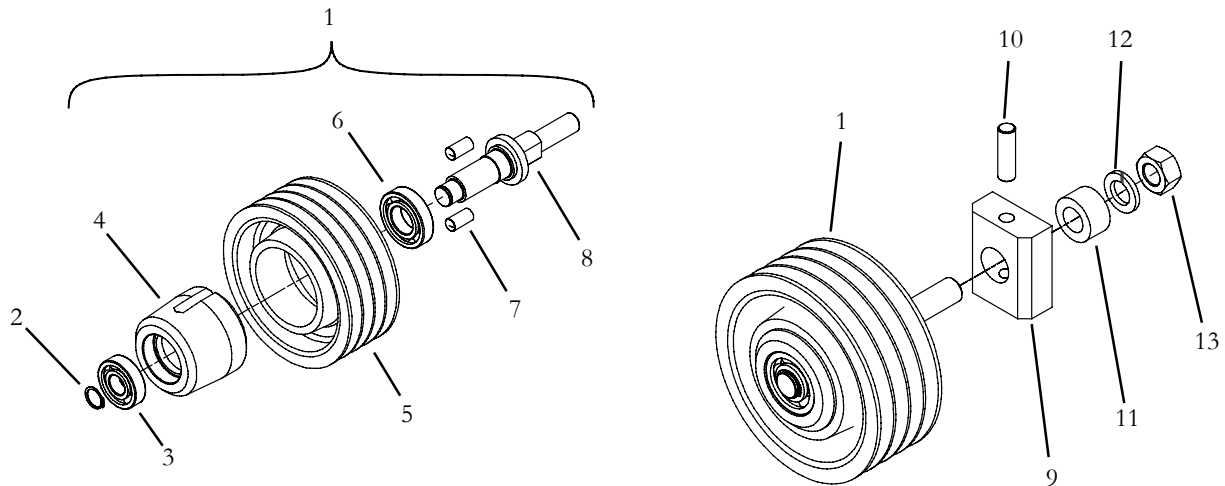
| Item | Part Number | Description                       | Qty |
|------|-------------|-----------------------------------|-----|
| 1    | 24-14254    | Base, Mounting                    | NSI |
| 2    | 24-14119    | Bracket, Side                     | NSI |
| 3    | 24-14147    | Plug                              | NSI |
| 4    | 29-0449     | Bolt, M5 x 10 mm                  | NSI |
| 5    | 29-1659     | Flange Bolt, M8 x 70 mm, DIN 6921 | NSI |
| 6    | 29-1660     | Locknut, M8, DIN 982              | NSI |
| 7    | 29-0205     | Washer, M8                        | NSI |
| 8    | T24-14412   | Arm Assembly                      | 1   |
| 9    | 39-0035     | Bearing, 25 mm                    | 1   |
| 10   | T24-14408   | Shackle Plate                     | NSI |



**1.2 MCC Mount Kit 19-0811, Base Plate Assembly T19-0829: (Continued)**

| Item | Part Number | Description                     | Qty |
|------|-------------|---------------------------------|-----|
| 11   | 39-0057     | Bushing, Rubber                 | 2   |
| 12   | 39-0059     | Bushing                         | 4   |
| 13   | 39-0058     | Bushing                         | 1   |
| 14   | 39-0074     | Bearing, PTFE                   | 1   |
| 15   | 39-0075     | Washer, Thrust PTFE             | 2   |
| 16   | 39-0076     | Pin                             | 1   |
| 17   | 39-0061     | Bearing Block Assembly          | 1   |
| 18   | 39-0060     | Plug, 35 mm                     | 1   |
| 19   | 29-1649     | Hex Bolt, M16 x 90 mm, DIN 931  | NSI |
| 20   | 29-1648     | Locknut, M16, DIN 982           | NSI |
| 21   | 29-1647     | Washer, Plain, M16, Din 125A    | NSI |
| 22   | 29-1668     | Washer, M16, ZPL, Din 9021      | NSI |
| 23   | 29-1646     | Hex Bolt, M16 x 100 mm, DIN 931 | NSI |
| N.S. | T25-3650    | Grounding Jumper                | NSI |
| N.S. | T30-0039    | Grease (5.0 ml)                 | 1   |

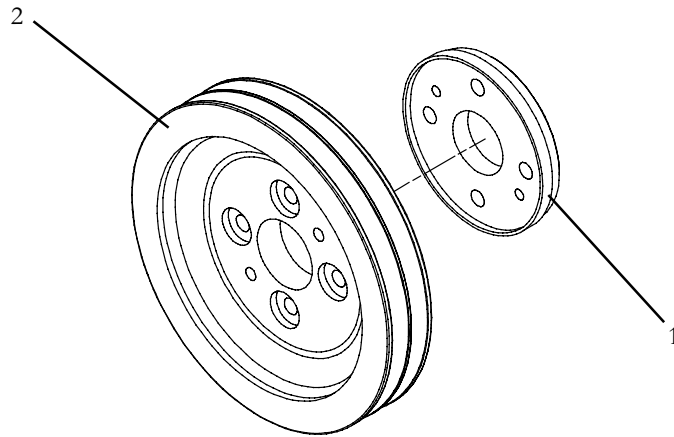
**1.3 MCC Mount Kit 19-0811, Intermediate Pulley Kit T19-0830**



| Item | Part Number | Description                            | Qty |
|------|-------------|--|-----|
| 1    | 39-0054     | Intermediate Pulley Assembly: Includes | NSI |
| 2    | 29-1586     | Snap Ring, 25mm                        | 1   |
| 3    | 39-0029     | Bearing                                | 1   |
| 4    | 39-0056     | Hub, Intermediate Pulley               | 1   |
| 5    | 39-0055     | Pulley, P4SPB200                       | 1   |
| 6    | 39-0028     | Bearing                                | 1   |
| 7    | 39-0071     | Set Screw, 5/8" - 11 x 1.25            | 1   |
| 8    | 39-0027     | Axle                                   | 1   |
| 9    | 39-0077     | Slide                                  | 1   |
| 10   | T29-1687    | Stud, M16 x 35, DIN 939                | 1   |
| 11   | 39-0078     | Bushing                                | 1   |
| 12   | 29-1584     | Spring Washer, M24, DIN 934            | NSI |
| 13   | 29-1585     | Nut, M24 x 2, DIN 934                  | NSI |

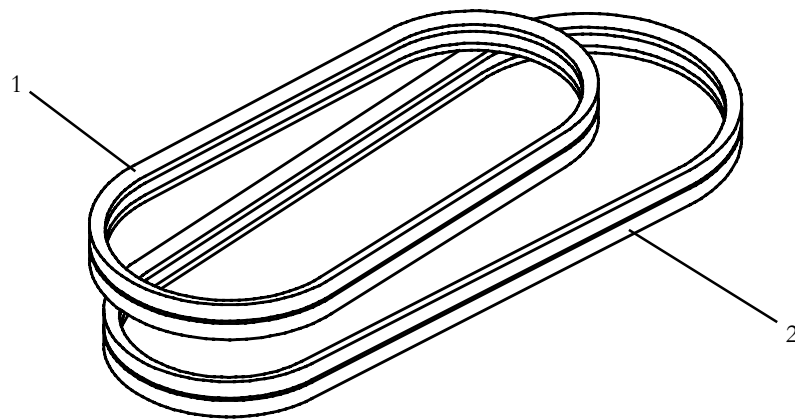


1.4 MCC Mount Kit 19-0811, Crankshaft Pulley Kit T19-0831



| Item | Part Number | Description      | Qty |
|------|-------------|------------------|-----|
| 1    | 39-0039     | Spacer           | 1   |
| 2    | 39-0063     | Pulley, P2SPB250 | 1   |

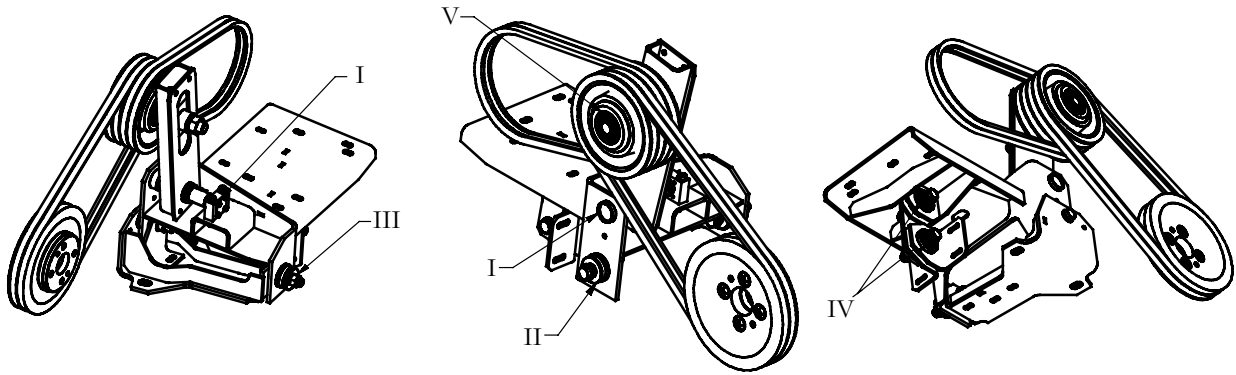
1.5 MCC Mount Kit 19-0811, Belt Kit T19-0832



| Item | Part Number | Description       | Qty |
|------|-------------|-------------------|-----|
| 1    | 39-0066     | V - Belt XPB 1250 | 2   |
| 2    | 39-0067     | V - Belt XPB 1500 | 2   |



1.6 MCC Mount Kit 19-0811, Maintenance Instructions/Recommendations



I - Clean, inspect and re-grease every 5 years. A convenient tool to re-place the 25 mm bearing is MCC Part # T03-0615.

II - PTFE bearing. Greased on installation but is not expected to require any subsequent attention. If replacement needed, will require to be reamed out. Use Loctite 770 (primer) and 454 (adhesive). Convenient tool is MCC Part # T03-0612.

III - Polyurethane bearing. Greased on installation but not expected to require subsequent attention.

IV - Rubber bushings. A convenient tool for replacing them is MCC Part # T03-0615

V - Two deep-groove ball bearings. Hub is lubricated for life. Only possible service is an overhaul, to be performed only in the event of noise, excessive play or seal damage. To overhaul, replace BOTH bearings and install 85-90 ml of grease (Total SynPro SHC NLGI-2). Convenient tools are MCC Part #'s T03-0613 and T03-0614.

Tightening Torques:

- M8 - 25 Nm
- M16 - 90 Nm
- M24 x 2 - 185 Nm

Tools:



T39-0081



T03-0612



T03-0613



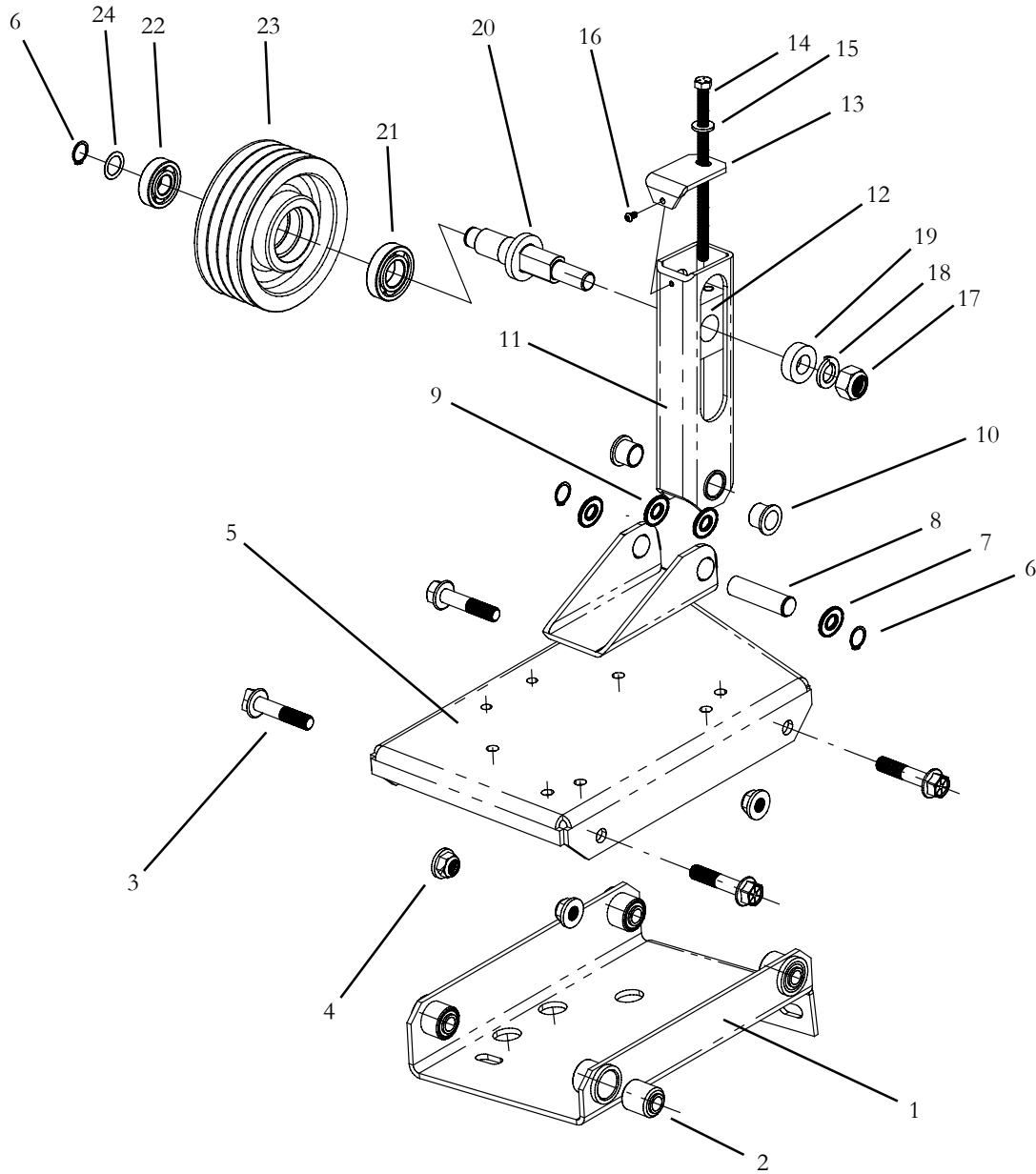
T03-0614



T03-0615



**2 MCC Mount Kit Y19-00005**



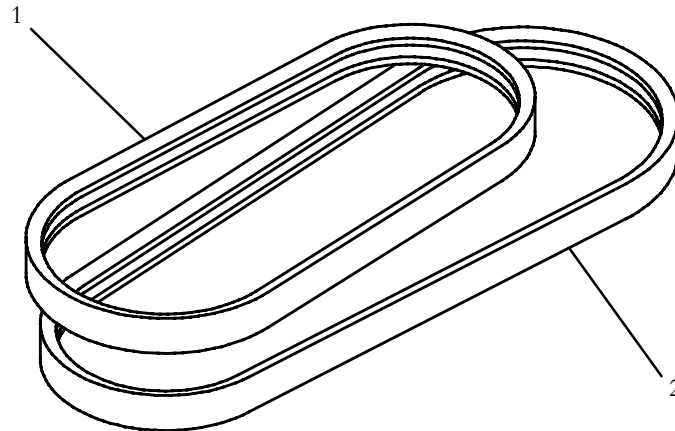
| Item | Part Number  | Description                        | Qty |
|------|--------------|------------------------------------|-----|
| 1    | Y24-00351-00 | Base Plate Weldment,               | NSI |
| 2    | Y39-00022    | Bushing, CTR Bonded                | 4   |
| 3    | Y29-00029    | SCR, FLNG, 5/8" - 11 x 3" LG,      | NSI |
| 4    | Y29-00046    | Nut, NYLOK Flanged, 5/8" - 11 GR G | NSI |
| 5    | Y24-00350-00 | Top Plate Weldment                 | NSI |
| 6    | 29-1586      | Snap Ring, EXT                     | 3   |
| 7    | Y29-00043    | Washer, M24 - SS                   | NSI |
| 8    | Y24-00357-01 | Shaft, Tension Arm Pivot           | 1   |
| 9    | Y29-00048    | Shim, 25mm ID x 2.00mm THK, SS     | NSI |
| 10   | 39-0035      | Bearing                            | 2   |



**2 MCC Mount Kit Y19-00005 (Continued):**

| Item | Part Number  | Description                       | Qty |
|------|--------------|-----------------------------------|-----|
| 11   | Y24-00354-00 | Tension Arm Assembly              | NSI |
| 12   | Y24-00352-01 | Slide Block Lock, Brass           | NSI |
| 13   | Y24-00355-01 | Tension Adjuster Top, Steel Angle | NSI |
| 14   | Y29-00030    | Bolt, 1/2" - 13 x 9.5" LG         | NSI |
| 15   | Y29-00035    | Washer, 1/2" GR 9                 | NSI |
| 16   | Y29-00034    | SCR, BHC, 1/4"-20 x 1/2" LG       | NSI |
| 17   | 29-1585      | Nut, M24 x 2.0, DIN934            | 1   |
| 18   | 29-1584      | Washer, Lock, M24                 | NSI |
| 19   | 39-0031      | Bushing                           | NSI |
| 20   | Y24-00356-00 | Idler Mounting Shaft              | 1   |
| 21   | 39-0028      | Bearing, 35mm ID                  | 1   |
| 22   | 39-0029      | Bearing, 25mm ID                  | 1   |
| 23   | Y24-00358-01 | Pulley, 4 Groove, 5V - 8.0 OD     | 1   |
| 24   | Y29-00047    | Shim, 25mm ID x 0.5mm THK-SS      | 1   |

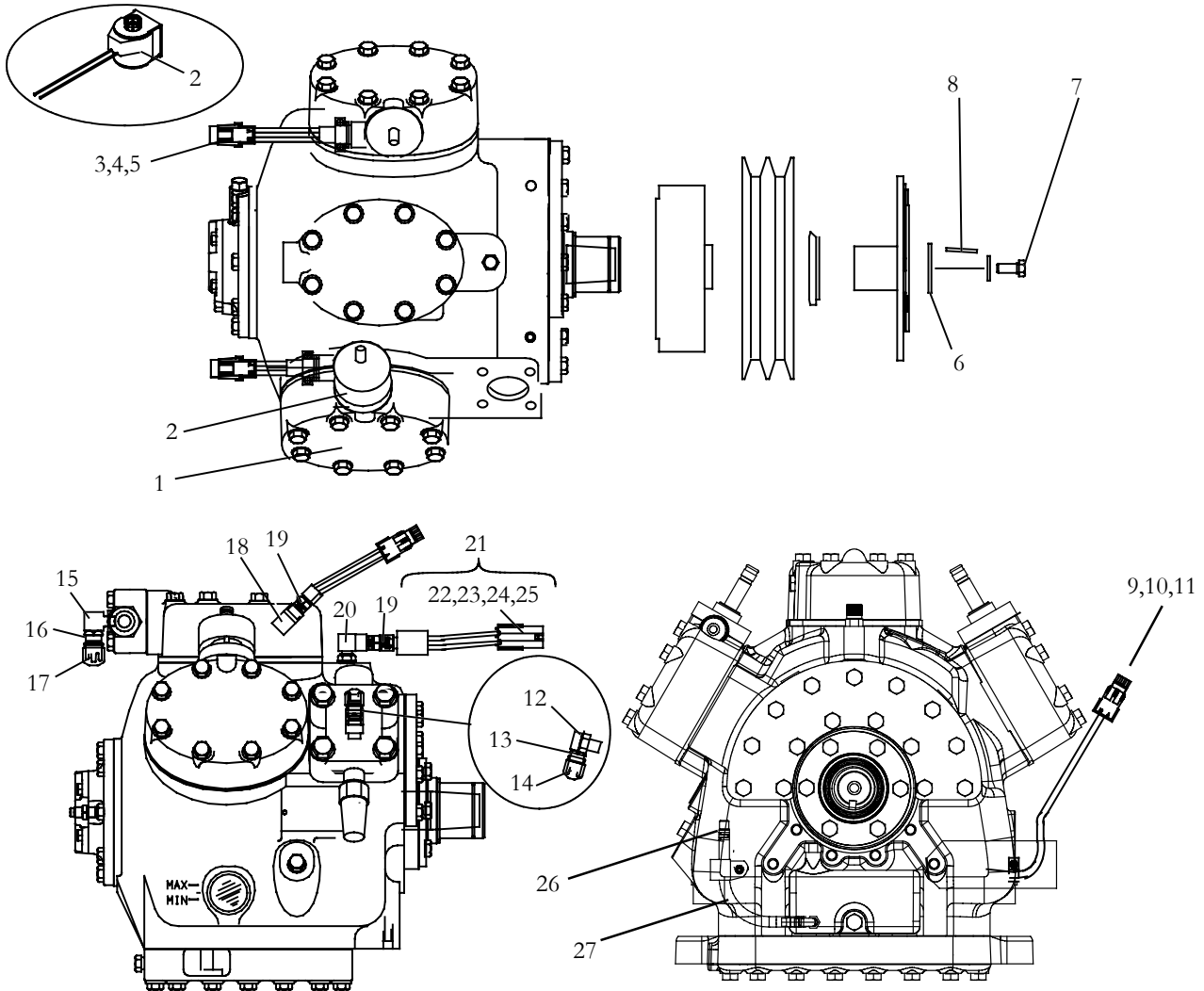
**2.1 MCC Mount Kit Y19-00005, Belts**



| Item | Part Number | Description            | Qty |
|------|-------------|------------------------|-----|
| 1    | Y39-00026   | Belt, Banded, 2/5VX500 | 1   |
| 2    | Y39-00027   | Belt, Banded, 2/5VX630 | 1   |



**3 Compressor Installation Components - 05G - R-134a Systems - Common Parts**



| Item | Part Number    | Description   | Qty |
|------|----------------|---|-----|
| 1    | 18-00091-160RM | Compressor Assembly, 05G Service (Twin Port, 41 CFM w/Recovery Bottle)                      | 1   |
|      | Y61-05G02-98   | Compressor Assembly, 05G Service (New, Twin Port, 41 CFM w/Oil)<br>(Recovery Bottle w/tube) | 1   |
| 2    | 22-02804-02    | Coil, Solenoid, Compressor Unloader, 24 VDC   | 2   |
| 3    | 22-02392-01    | Connector, 2 Pin, Medium Gray   | 2   |
| 4    | 22-02393-01    | Terminal, Male (18-20 AWG)  | 4   |

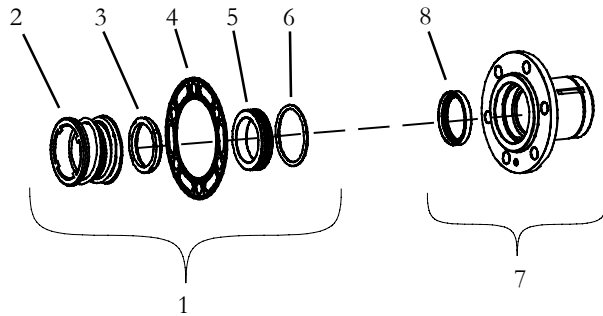


| <b>3 Compressor Installation Components - 05G - R-134a Systems - Common Parts (Continued)</b> |                    |   |            |
|---|--------------------|---|------------|
| <b>Item</b>   | <b>Part Number</b> | <b>Description</b>  | <b>Qty</b> |
| 5   | 22-02394-00        | Seal, Cable, Gray   | 4          |
| 6   | 68G2-9082          | Washer, Special, 7/16 ID                                    | 1          |
| 7   | 34-00613-10        | Screw, Hex Head Cap, 3/8-24 x 1.25 SAE Grade 8, Zinc Plated | 1          |
| 8   | 68G2-9072          | Key, Crankshaft, Special                                    | 1          |
| 9   | 22-02393-00        | Terminal, Male (14-16 AWG)                                  | 2          |
| 10  | 22-02394-01        | Seal, Cable, Blue (14-18 AWG)                               | 2          |
| 11  | 22-01585-02        | Connector, Male, 2 Pin, Medium Gray                         | 1          |
| 12  | 40-00524-00        | Elbow, 1/4 NPT x M13, Low Pressure Side                     | 1          |
| 13  | 40-00520-00        | Coupling, Service Port, M13, R-134a - Includes:             | 1          |
| 14  | 40-00520-02        | Cap, Service Port   | 1          |
| 15  | 40-00524-01        | Elbow, 1/8 NPT x M15, High Pressure Side                    | 1          |
| 16  | 40-00520-01        | Coupling, Service Port, M15, R-134a - Includes:             | 1          |
| 17  | 40-00520-03        | Cap, Service Port   | 1          |
| 18  | 14-01093-00        | Snubber Assembly, 90 Degree, 1/4 MPT x 1/4 FPT              | 1          |
| 19  | 06DA403844         | Valve Assembly, Schrader, 1/4 Male Flare                    | 2          |
| 20  | 40-01166-01        | Elbow, Adapter, 1/4 FPT x 7/16 UNC                          | 1          |
| 21  | 12-00299-01        | Switch, Pressure, Low - Includes:                           | 1          |
| 22  | 22-02392-00SV      | Connector Kit, 2 Pin - Includes:                            | 1          |
| 23  | <b>NSS</b>         | Connector, Male, 2 Pin, Black                               | 1          |
| 24  | 22-02393-00        | Terminal, Male (14-16 AWG)                                  | 2          |
| 25  | 22-02394-01        | Seal, Cable, Blue (14-18 AWG)                               | 2          |
| 26  | Y39-00017-04       | Plug, 5/16" ID Hose   | 1          |
| 27  | Y47-00001-00       | Tube, 5/16" ID Hose   | 1          |



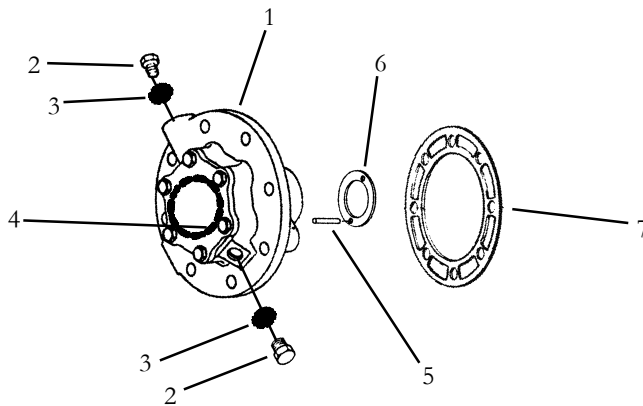


**4 Compressor Internal Components - 05G -Twin Port and 3 Port Compressors**  
**4.1 Compressor Internal Components - Shaft Seal-05G -Twin Port and 3 Port Compressors**



| Item | Part Number | Description  | Qty |
|------|-------------|--|-----|
| 1    | 17-44770-00 | Seal Assembly, Shaft, Includes:                            | 1   |
| 2    | NSS         | Spring and Bellows Assembly                                | 1   |
| 3    | NSS         | Rotor, Seal  | 1   |
| 4    | 17-44004-06 | Gasket, Seal Cover (Metal)                                 | 1   |
| 5    | NSS         | Stator, Seal   | 1   |
| 6    | NSS         | O-Ring, Stator   | 1   |
| 7    | 17-44767-00 | Hub Assembly, Housing Mounted Clutch, Twin Port, Includes: | 1   |
| 8    | 17-44765-00 | Seal, Lip  | 1   |
| 4    | 17-44004-06 | Gasket, Seal Cover (Metal)                                 | 1   |

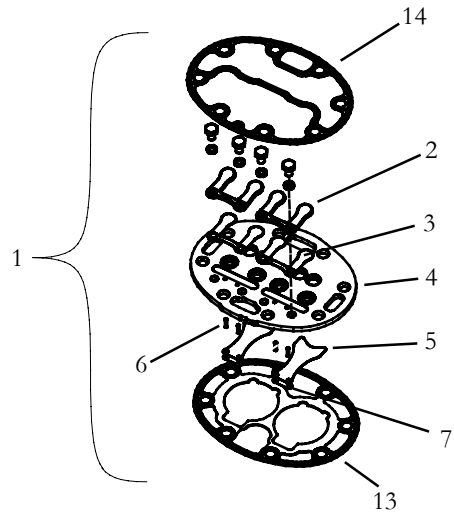
**4.2 Compressor Internal Components - Oil Pump/Bearing End-05G -Twin Port and 3 Port Compressors**



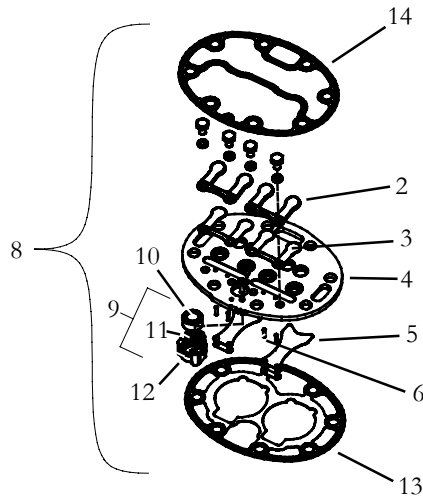
| Item | Part Number | Description                         | Qty |
|------|-------------|-------------------------------------|-----|
| 1    | 17-44137-00 | Oil Pump/Bearing Head, Includes:    | 1   |
| 2    | 17-44037-00 | Plug, O-Ring, 7/16" - 20, Includes: | 2   |
| 3    | 42-00243-07 | O-Ring                              | 2   |
| 4    | 17-44139-00 | Pump Cover O-ring                   | 1   |
| 5    | 17-40204-00 | Roll Pin, 1/8" x 1/2"               | 2   |
| 6    | 17-55009-01 | Thrustwasher, Pump End              | 1   |
| 7    | 17-40078-05 | Gasket, Bearing Head (Fiber)        | 1   |
|      | 17-44022-00 | Gasket, Bearing Head (Metal)        | 1   |



**4.3 Compressor Internal Components-05G Twin Port ONLY- Valve Plates**



**Center Head (or Side Head W/O Unloader)**

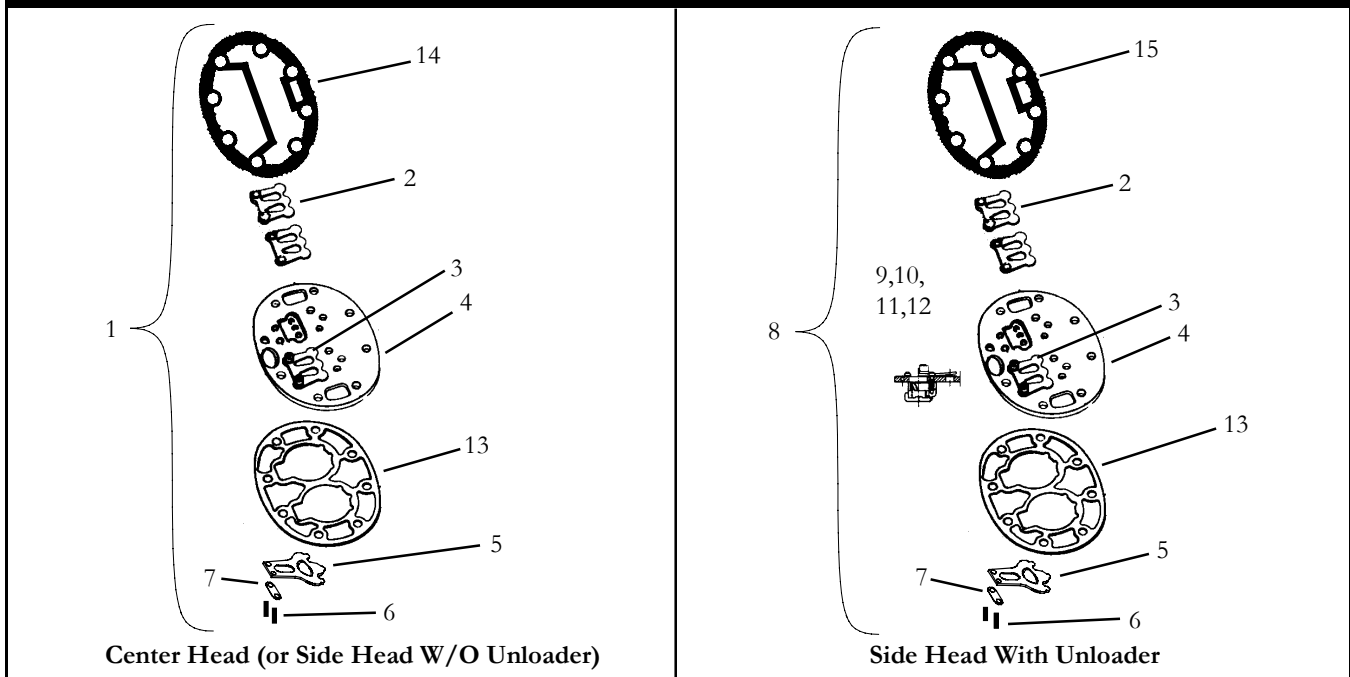


**Side Head With Unloader**

| Item | Part Number | Description   | Qty |
|------|-------------|---|-----|
| 1    | 17-44742-00 | Valve Plate Assembly, Center Head or Side head no Unloader, Includes: | 1   |
| 2    | 17-44750-01 | Backer, Discharge Valve   | 2   |
| 3    | 17-44749-00 | Valve, Discharge  | 2   |
| 4    | <b>NSS</b>  | Valve Plate   | 1   |
| 5    | 17-44748-00 | Valve, Suction  | 2   |
| 6    | 17-40057-00 | Dowel Pin, Suction Valve  | 4   |
| 7    | 17-44751-00 | Spring, Suction Valve   | 2   |
| 8    | 17-44744-00 | Valve Plate Assembly, Side Head with Unloader                         | 1   |
| 2    | 17-44750-01 | Backer, Discharge Valve   | 2   |
| 3    | 17-44749-00 | Valve, Discharge  | 2   |
| 4    | <b>NSS</b>  | Valve Plate   | 1   |
| 5    | 17-44748-00 | Valve, Suction  | 2   |
| 6    | 17-40057-00 | Dowel Pin, Suction Valve  | 4   |
| 7    | 17-44751-00 | Spring, Suction Valve   | 2   |
| 9    | 17-55012-00 | Check Valve, Unloader, Includes:                                      | 1   |
| 10   | 17-40104-08 | Piston, Check Valve   | 1   |
| 11   | <b>NSS</b>  | Spring, Check Valve   | 1   |
| NS   | <b>NSS</b>  | Screw, Phillips   | 1   |
| 12   | <b>NSS</b>  | Check Valve Body  | 1   |
| 13   | 17-44746-00 | Gasket, Valve Plate, Center or Side Head                              | 1   |
| 14   | 17-44747-00 | Gasket, Cylinder Head, Center or Side Head                            | 1   |



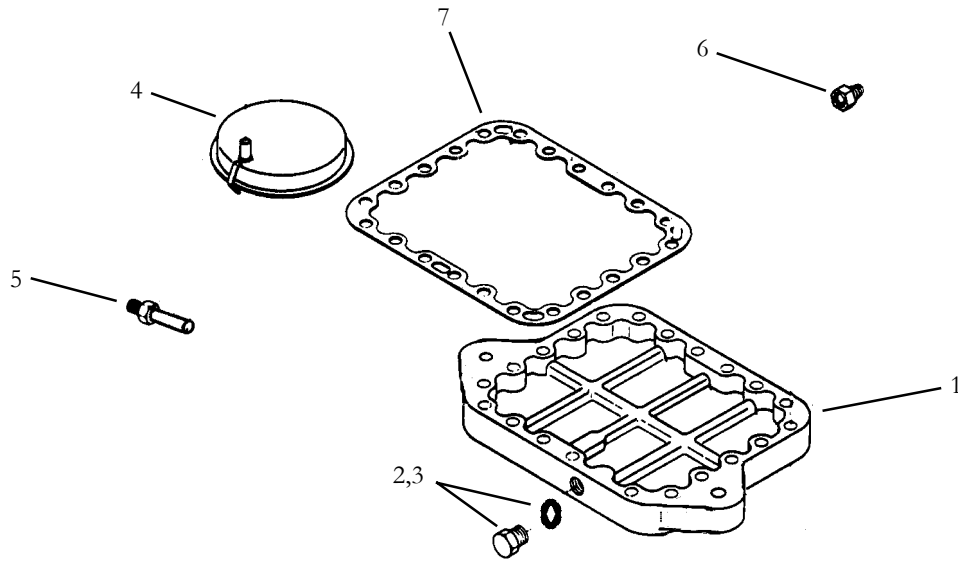
**4.4 Compressor Internal Components-05G 3 Port ONLY- Valve Plates**



| Item | Part Number | Description   | Qty |
|------|-------------|---|-----|
| 1    | 17-44107-00 | Valve Plate Assembly, Center Head or Side head no Unloader, Includes: | 1   |
| 2    | 17-44160-00 | Backer,Discharge Valve  | 2   |
| 3    | 17-40086-00 | Valve, Discharge  | 2   |
| 4    | <b>NSS</b>  | Valve Plate   | 1   |
| 5    | 17-44111-00 | Valve, Suction  | 2   |
| 6    | 17-40057-00 | Dowel Pin, Suction Valve  | 4   |
| 7    | 17-40083-00 | Spring, Suction Valve   | 2   |
| 8    | 17-44106-00 | Valve Plate Assembly, Side Head with Unloader                         | 1   |
| 2    | 17-44160-00 | Backer,Discharge Valve  | 2   |
| 3    | 17-40086-00 | Valve, Discharge  | 2   |
| 4    | <b>NSS</b>  | Valve Plate   | 1   |
| 5    | 17-44111-00 | Valve, Suction  | 2   |
| 6    | 17-40057-00 | Dowel Pin, Suction Valve  | 4   |
| 7    | 17-40083-00 | Spring, Suction Valve   | 2   |
| 9    | 17-55012-00 | Check Valve, Unloader, Includes:                                      | 1   |
| 10   | 17-40104-08 | Piston, Check Valve   | 1   |
| 11   | <b>NSS</b>  | Spring, Check Valve   | 1   |
| NS   | <b>NSS</b>  | Screw, Phillips   | 1   |
| 12   | <b>NSS</b>  | Check Valve Body  | 1   |
| 13   | 17-44007-06 | Gasket, Valve Plate, Center or Side Head                              | 1   |
| 14   | 17-44123-00 | Gasket, Cylinder Head, Center   | 1   |
| 15   | 17-44126-00 | Gasket, Cylinder Head, Side Head (Hot Gas Bypass Unloader)            | 1   |



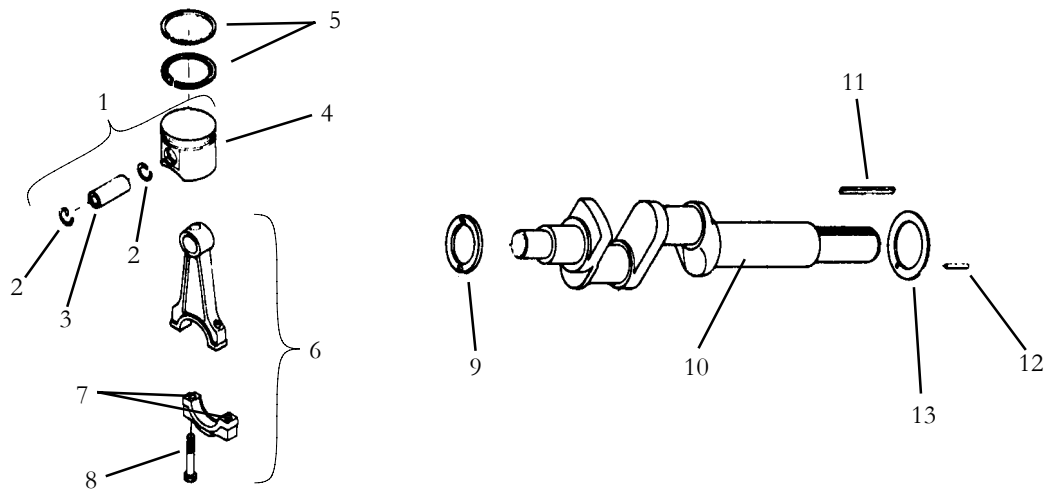
4.5 Compressor Internal Components - Base Components-05G -Twin Port and 3 Port Compressors



| Item | Part Number | Description                           | Qty |
|------|-------------|---------------------------------------|-----|
| 1    | 17-44035-00 | Bottom Plate, Aluminum                | 1   |
| 2    | 17-44037-00 | Plug, O-ring, 7/16" -20, Includes:    | 1   |
| 3    | 42-00243-07 | O-Ring                                | 1   |
| 4    | 17-40020-00 | Oil Filter Screen Assembly            | 1   |
| 5    | 17-44011-00 | Oil Relief Valve (Pressure Regulator) | 1   |
| 6    | 17-40042-00 | Oil Return Check Valve Assembly       | 2   |
| 7    | 17-44129-00 | Gasket, Bottom Plate (Metal)          | 1   |



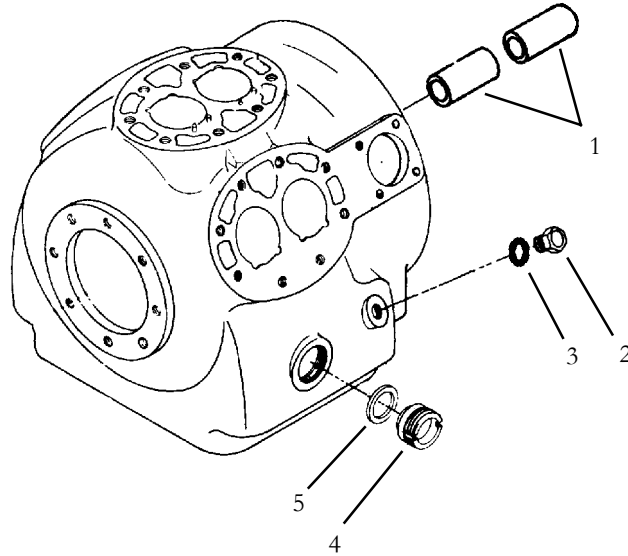
**4.6 Compressor Internal Components - 05G Rods and Pistons-Twin Port and 3 Port Compressors**



| Item | Part Number | Description  | Qty |
|------|-------------|--|-----|
| 1    | 17-44045-01 | Piston, 05G37 CFM, Flat, Standard- Includes:                         | 6   |
|      | 17-44045-03 | Piston, 05G37 CFM, Flat, .020 Inch Oversize- Includes:               |     |
|      | 17-44121-01 | Piston, 05G41 CFM, Flat, Standard- Includes:                         |     |
|      | 17-44122-01 | Piston, 05G41 CFM, Flat, .020 Inch Oversize- Includes:               |     |
| 2    | <b>NSS</b>  | Retainer, Piston Pin   | 2   |
| 3    | <b>NSS</b>  | Pin, Piston  | 1   |
| 4    | <b>NSS</b>  | Piston   | 1   |
| 5    | 17-40055-00 | Ring, Compression (Standard)   | 12  |
|      | 17-55025-00 | Ring, Compression (0.20 Inch Oversize)                               |     |
| 6    | 17-40056-02 | Connecting Rod and Cap Assembly, (Standard) - Includes:              | 6   |
|      | 17-55023-00 | Connecting Rod and Cap Assembly, (.010 Inch Undersized) - Includes:  | A/R |
| 7    | 17-40057-00 | Pin, Dowel   | 2   |
| 8    | 17-55008-00 | Capscrew (Special)   | 2   |
| 9    | 17-55009-01 | Thrustwasher, Pump End   | 1   |
| 10   | 17-44074-00 | Crankshaft Assembly, 05G37 CFM                                       | 1   |
|      | 17-44075-00 | Crankshaft Assembly, 05G41 CFM                                       |     |
| 11   | 17-40324-00 | Crankshaft Key, 1/4" x 1/4" x 1 1/2" Long (For Shaft Mounted Clutch) | 1   |
|      | 68G2-9072   | Crankshaft Key, Special, (Housing Mounted Clutch)                    |     |
| 12   | 17-44036-00 | Pin, Spiral, 1/8" x 1/2" Long  | 1   |
| 13   | 17-44008-00 | Thrustwasher, Seal End   | 1   |



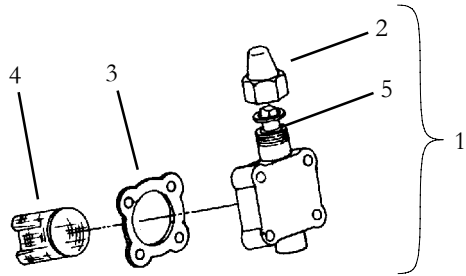
4.7 Compressor Internal Components - 05G Main Bearing and Misc. -Twin Port and 3 Port Compressors



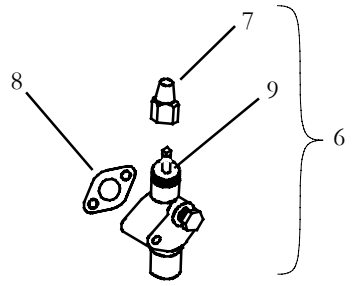
| Item | Part Number | Description                                   | Qty |
|------|-------------|---|-----|
| 1    | 17-44015-00 | Main Bearing, Seal End (Requires Line Boring) | 2   |
| 2    | 17-44037-00 | Plug, O-ring, 7/16" - 20, Includes:           | 1   |
| 3    | 42-00243-07 | O-Ring  | 1   |
| 4    | 17-10218-00 | Sight Glass, Oil Level                        | 2   |
| 5    | 17-10218-02 | Gasket, (Fiber)                               | 1   |
|      | 17-44021-00 | Gasket, (Metal)                               |     |
| NS   | 17-44775-00 | Gasket Set, Metal (Twin Port)                 | 1   |



**4.8 Compressor Components- 05G Service Valves - Twin Port and 3 Port Compressors**



**Suction Service Valves**

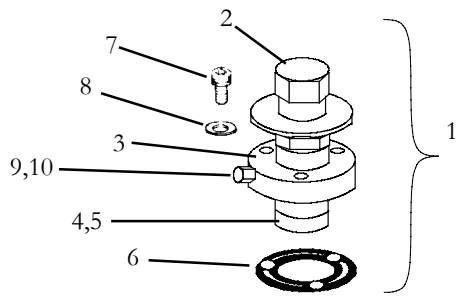


**Discharge Service Valves**

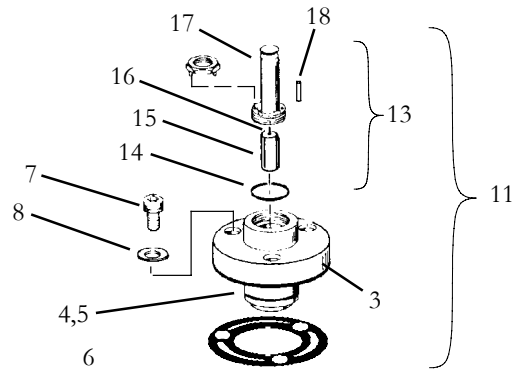
| Item | Part Number | Description  | Qty |
|------|-------------|--|-----|
| 1    | 17-31062-00 | Valve, Service, 1 1/8" ODF                             | 1   |
|      | 17-40002-01 | Valve, Service, 1 3/8" ODF                             |     |
| 2    | 17-10812-01 | Cap, Service Valve, (Plastic)                          | 1   |
|      | 17-10806-10 | Cap, Service Valve, (Brass)                            |     |
| 3    | 17-40005-05 | Gasket, 4 Bolt Service Valve, (Fiber)                  | 1   |
|      | 17-44141-00 | Gasket, 4 Bolt Service Valve, (Metal)                  |     |
| 4    | 17-44005-00 | Strainer, Suction                                      | 1   |
| 5    | 34-50022-00 | Packing Kit, Service Valve Stem (4-Bolt)               | 1   |
| 6    | 14-01042-07 | Valve, Service, 7/8" ODF, ( 1/8" FPT Gauge Port)       | 1   |
|      | 14-00206-01 | Valve, Service, 7/8" ODF, ( M15 Gauge Port For R-134a) |     |
| 7    | 17-10812-01 | Cap, Service Valve (Plastic)                           | 1   |
|      | 17-10806-10 | Cap, Service Valve (Brass)                             |     |
| 8    | 17-10811-05 | Gasket, 2 Bolt Service Valve, (Fiber)                  | 1   |
|      | 17-44138-00 | Gasket, 2 Bolt Service Valve, (Metal)                  |     |
| 9    | 34-50082-00 | Graphite Packing, Service Valve Stem (2 Bolt)          | 1   |



**4.9 Compressor Components- 05G Unloader Valves - Twin Port and 3 Port Compressors**



**Pressure Unloader**



**Electric Unloader**

| Item | Part Number | Description   | Qty |
|------|-------------|---|-----|
| 1    | 17-55018-01 | Valve Assembly, Pressure, Includes:                 | 1   |
| 2    | NSS         | Power Assembly, (Suction Pressure Activated)        | 1   |
| 3    | NSS         | Body Assembly, Valve                                | 1   |
| 4    | 17-40409-00 | Piston, Unloader, Includes:                         | 1   |
| 5    | NSS         | Ring, Piston  | 1   |
| 6    | 17-40104-07 | Gasket, Unloader Valve                              | 1   |
| 7    | 17-40111-00 | Screw, Socket Head, 1/4" - 28 x 3/4" Long           | 3   |
| 8    | 17-40104-20 | Gasket, Socket Head Screw, 1/4"                     | 3   |
| 9    | NSS         | Cap, Adjustment Screw                               | 1   |
| 10   | NSS         | O-Ring, Adjustment Screw Cap                        | 1   |
| 11   | 17-40417-00 | Valve Assembly, Electric, Includes:                 | 1   |
| 12   | NSS         | Body Assembly, Valve                                | 1   |
| 4    | 17-40409-00 | Piston, Unloader, Includes:                         | 1   |
| 5    | NSS         | Ring, Piston  | 1   |
| 6    | 17-40104-07 | Gasket, Unloader Valve                              | 1   |
| 7    | 17-40111-00 | Screw, Socket Head, 1/4" - 28 x 3/4" Long           | 3   |
| 8    | 17-40104-20 | Gasket, Socket Head Screw, 1/4"                     | 3   |
| 13   | 17-40418-00 | Kit, Valve Stem Repair (For 17-40417-00), Includes: | 1   |
| 14   | 42-00243-03 | Gasket, O-Ring                                      | 1   |
| 15   | NSS         | Plunger Assembly                                    | 1   |
| 16   | NSS         | Spring, Plunger                                     | 1   |
| 17   | NSS         | Enclosing Tube                                      | 1   |
| 18   | 34-06026-00 | Pin, Unloader Coil Retainer                         | 1   |

**4.10 Compressor Components- 05G Pressure to Electric Unloader Kits - Twin Port and 3 Port Compressors**

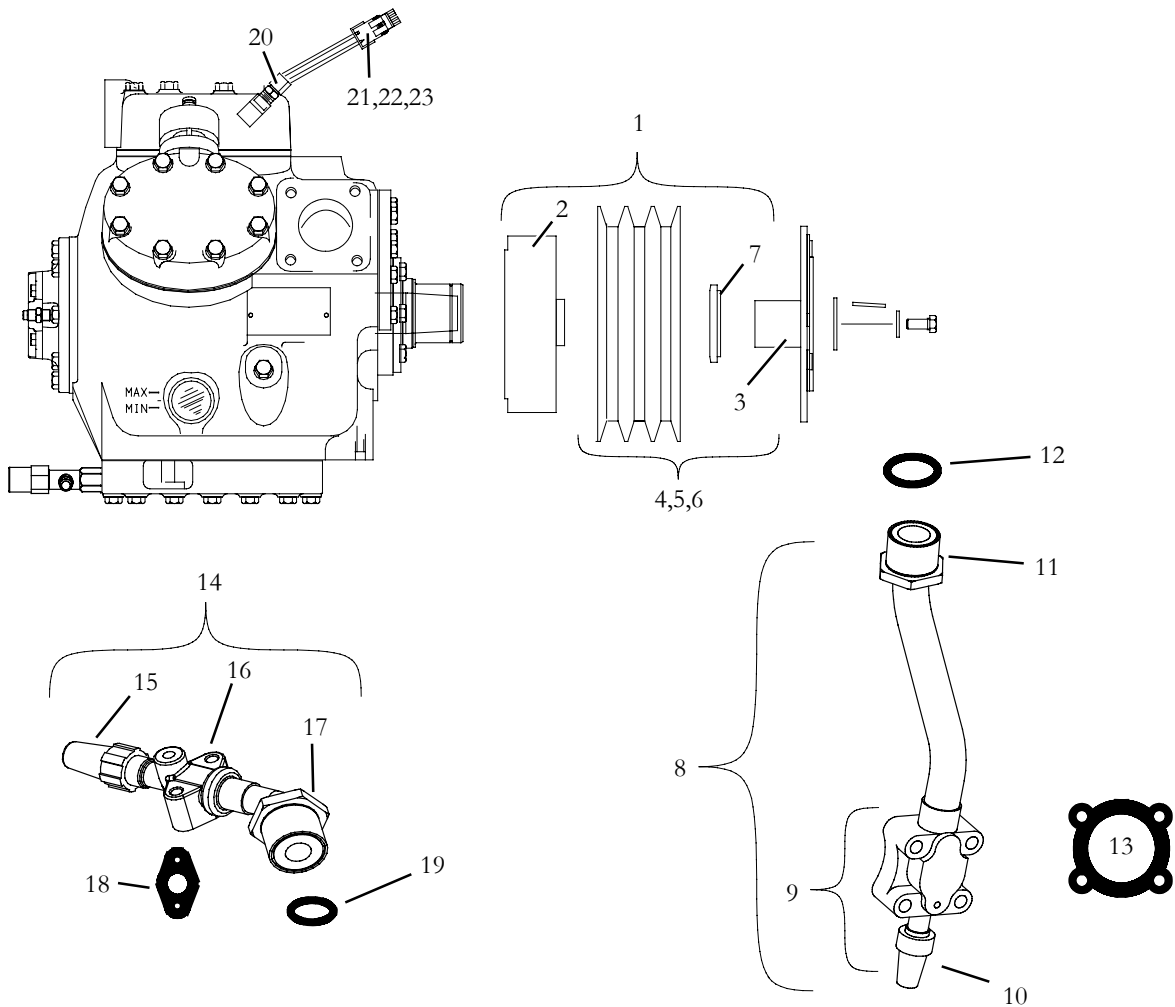
| Item | Part Number | Description   | Qty |
|------|-------------|---|-----|
| NS   | 74-50111-00 | Kit, Conversion, Pressure Hot gas Bypass to Electric, R-134a (24 VDC) | 1   |
|      | 74-50111-01 | Kit, Conversion, Pressure Hot gas Bypass to Electric, R-22 (24 VDC)   |     |





**5 Compressor Installation Components - 05G - R-134a Systems**

**5.1 Compressor Installation Components - 05G - R-134a Systems - Y61-05G02-21**



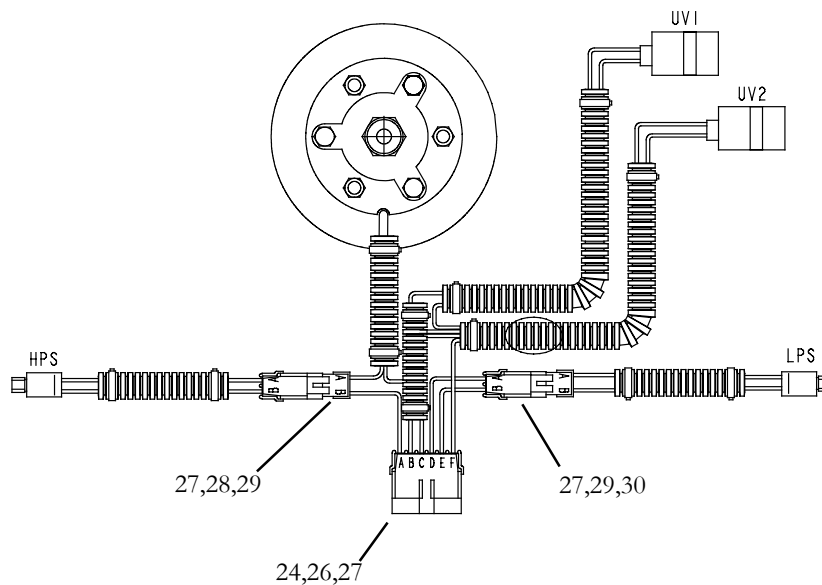
**Note: Common Parts Are Listed In Section 3**

| Item | Part Number  | Description  | Qty |
|------|--------------|--|-----|
| 1    | 50-01122--12 | Clutch Assembly, 24 VDC (Less Lock Nut Item 7) - Includes:         | 1   |
| 2    | 50-01122-50  | Coil, Clutch, 24 VDC   | 1   |
| 3    | <b>NSS</b>   | Armature Assembly  | 1   |
| 4    | 50-01122-68  | Rotor And Armature Assembly (2-5V Groove) - Includes:              | 1   |
| 5    | 04-00130-00  | Bearing  | 1   |
| 6    | 34-01186-00  | Ring, Retainer   | 1   |
| 7    | 34-06083-00  | Nut, Lock, Clutch, Special   | 1   |
| 8    | Y27-00127-00 | Valve Assembly, Suction, With Tube & Fitting (#24 ORS) - Includes: | NSI |
| 9    | 14-00171-00  | Valve Assembly, Suction, - Includes:                               | 1   |
| 10   | 17-10812-01  | Cap, Service Valve Stem, With "O" Ring, Plastic                    | 1   |
| 11   | 40-00491-04  | Fitting, ORS, 2" - 12  | 1   |
| 12   | 42-00243-02  | O-Ring, 1.484 ID x 0.139 THK                                       | 1   |
| 13   | 17-40005-05  | Gasket, Suction Service Valve (Valve to Compressor)                | 1   |
| 14   | Y27-00127-01 | Valve Assembly, Discharge, With Tube & Fitting - Includes:         | NSI |



**5.1 Compressor Installation Components - 05G - R-134a Systems - Y61-05G02-21 (Continued)**

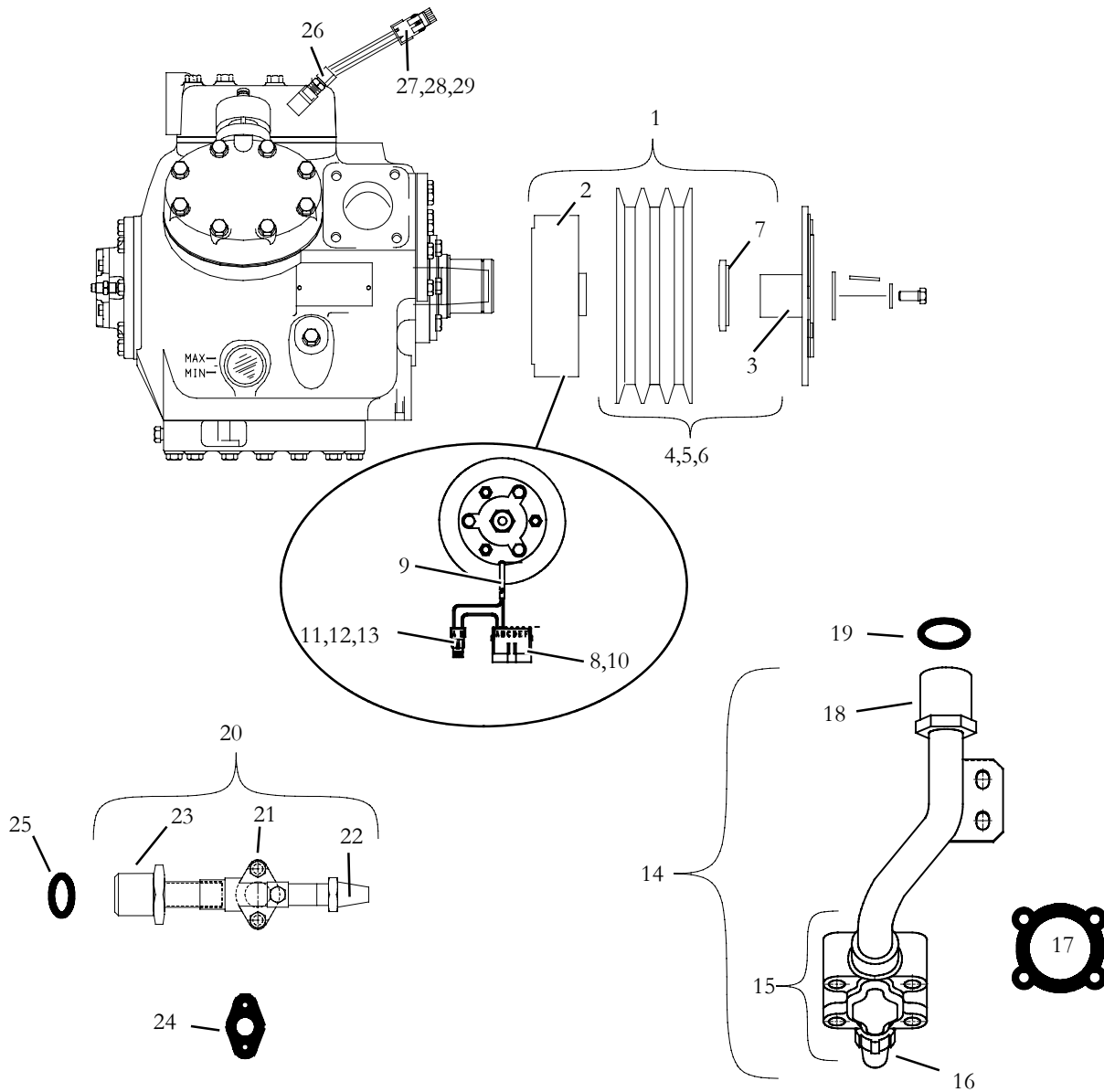
| Item | Part Number | Description   | Qty |
|------|-------------|---|-----|
| 15   | 17-10812-00 | Cap, Service Valve Stem, With "O" Ring, Plastic                           | 1   |
| 16   | 14-01042-00 | Valve, Discharge, Service, 7/8 ODS - Includes:                            | 1   |
| 17   | 40-00491-08 | Fitting, ORS, 1-11/16" - 12   | 1   |
| 18   | 17-10811-05 | Gasket, Discharge Service Valve (Valve To Compressor)                     | 1   |
| 19   | 42-00243-01 | O-Ring, 1.171 ID x 0.139 THK  | 1   |
| 20   | 12-00299-22 | Switch, Pressure, High (Open 350-370 psig/Close 270-300 psig) - Includes: | 1   |
| 21   | 22-01585-00 | Connector, Male, 2 Pin, Black   | 1   |
| 22   | 22-02393-00 | Terminal, Male (14-16 AWG)  | 2   |
| 23   | 22-02394-01 | Seal, Cable, Blue   | 2   |



| Item | Part Number | Description   | Qty |
|------|-------------|---|-----|
| 24   | 22-01775-00 | Connector, Female, 6 Pin, Black                       | 1   |
| 25   | 58-00858-00 | Tubing, Split, Corrugated, 1/4 Inch ID x 25 Feet Long | 1   |
| 26   | 22-02393-00 | Terminal, Male (14-16 AWG)                            | 4   |
| 27   | 22-02394-01 | Seal, Cable, Blue                                     | 6   |
| 28   | 22-01585-00 | Connector, Tower, 2 Pin, Black                        | 1   |
| 29   | 22-01566-00 | Terminal, Female (14-16 AWG)                          | 4   |
| 30   | 22-02392-00 | Connector, Shroud, 2 Pin, Black                       | 1   |



5.2 Compressor Installation Components - 05G - R-134a Systems - 68PD541-124-33



Note: Common Parts Are Listed In Section 3

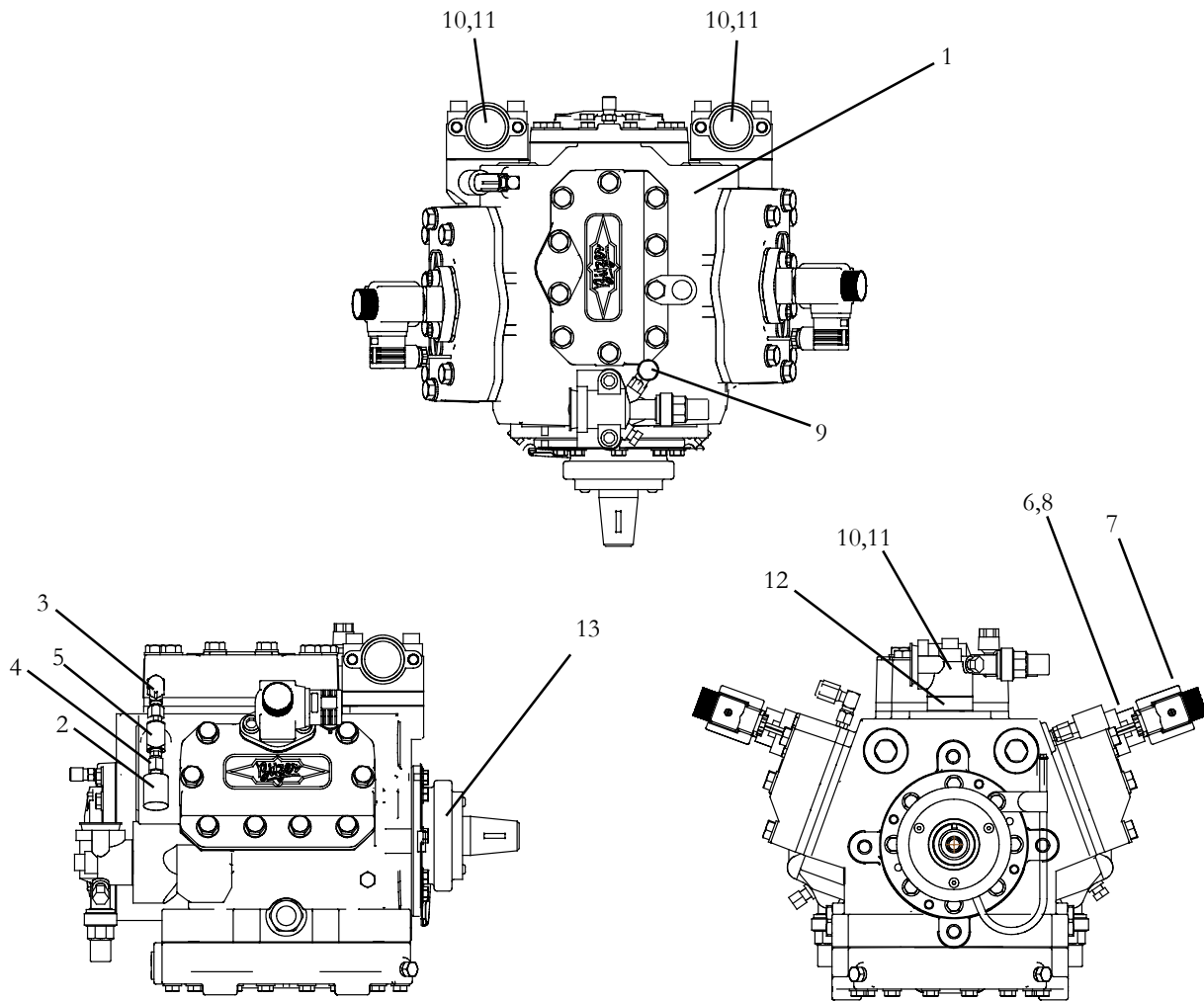
| Item | Part Number  | Description  | Qty |
|------|--------------|--|-----|
| 1    | 50-01122--12 | Clutch Assembly, 24 VDC (Less Lock Nut Item 7) - Includes: | 1   |
| 2    | 50-01122-50  | Coil, Clutch, 24 VDC                                       | 1   |
| 3    | <b>NSS</b>   | Armature Assembly  | 1   |
| 4    | 50-01122-68  | Rotor And Armature Assembly (2-5V Groove) - Includes:      | 1   |
| 5    | 04-00130-00  | Bearing  | 1   |
| 6    | 34-01186-00  | Ring, Retainer   | 1   |
| 7    | 34-06083-00  | Nut, Lock, Clutch, Special                                 | 1   |
| 8    | 22-01775-00  | Connector, Female, 6 Pin, Black                            | 1   |
| 9    | 58-00858-00  | Tubing, Split, Corrugated, 1/4 Inch ID x 25 Feet Long      | 1   |



| <b>5.2 Compressor Installation Components - 05G - R-134a Systems - 68PD541-124-33 (Continued)</b> |                    |  |            |
|---|--------------------|--|------------|
| <b>Item</b>   | <b>Part Number</b> | <b>Description</b>   | <b>Qty</b> |
| 10  | 22-02393-00        | Terminal, Male (14-16 AWG)                                 | 2          |
| 11  | 22-02394-01        | Seal, Cable, Blue  | 4          |
| 12  | 22-01566-00        | Terminal, Female (14-16 AWG)                               | 2          |
| 13  | 22-01585-00SK      | Connector, Male, 2 Pin, Black                              | 1          |
| 14  | 81-01970-00        | Valve Assembly, Suction, With Tube & Fitting - Includes:   | NSI        |
| 15  | 17-40002-01        | Valve Assembly, Suction, - Includes:                       | 1          |
| 16  | 17-10812-01        | Cap, Service Valve Stem, With "O" Ring, Plastic            | 1          |
| 17  | 17-40005-05        | Gasket, Suction Service Valve (Valve to Compressor)        | 1          |
| 18  | 40-00491-08        | Fitting, ORS, 1-11/16"                                     | 1          |
| 19  | 42-00243-01        | O-Ring, 1.19 ID x 1.44 OD                                  | 2          |
| 20  | 68PD---1---102-2   | Valve Assembly, Discharge, With Tube & Fitting - Includes: | NSI        |
| 21  | 14-01042-10        | Valve, Discharge, Service, 7/8 ODF - Includes:             | 1          |
| 22  | 17-10812-00        | Cap, Service Valve Stem, With "O" Ring, Plastic            | 1          |
| 23  | 40-00491-00        | Fitting, ORS, 7/8 ODF x 1-7/16                             | 1          |
| 24  | 17-10811-05        | Gasket, Discharge Service Valve (Valve To Compressor)      | 1          |
| 25  | 42-00243-00        | O-Ring, ORS-10, 0.94 ID x 1.19 OD                          | 2          |
| 26  | 12-00299-14        | Switch, Pressure, High - Includes:                         | 1          |
| 27  | 22-01585-00SK      | Connector, Male, 2 Pin, Black                              | 1          |
| 28  | 22-02393-00        | Terminal, Male (14-16 AWG)                                 | 2          |
| 29  | 22-02394-01        | Seal, Cable, Blue  | 2          |



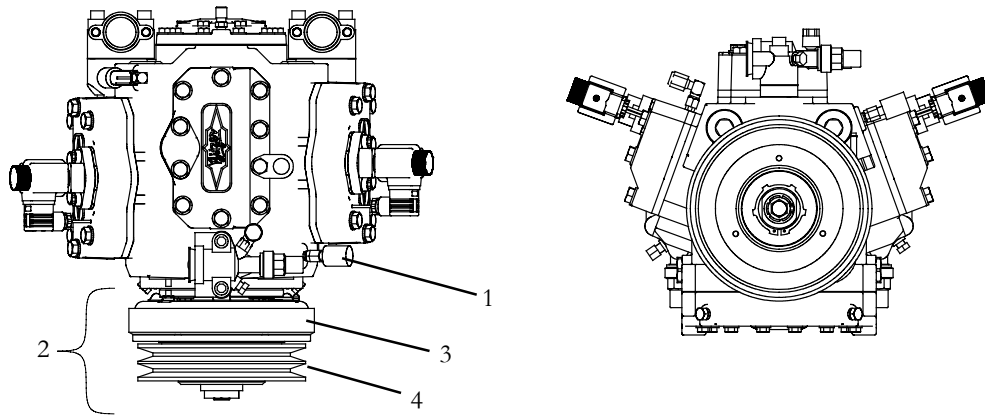
**6 Compressor Components - 6NFC Bitzer - COMMON PARTS**



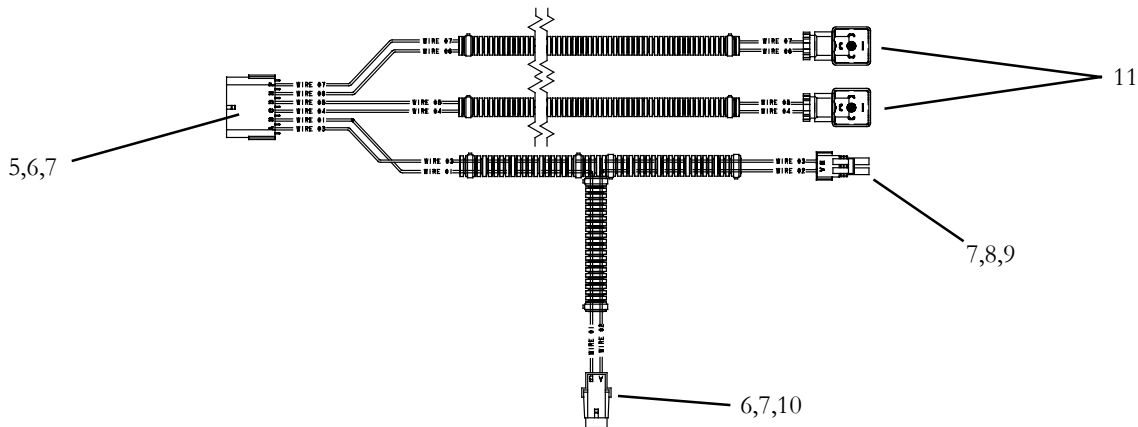
| Item | Part Number  | Description  | Qty |
|------|--------------|--|-----|
| 1    | Y61-NFC02-99 | Compressor Assembly, 6NFC Bitzer (Bare)              | 1   |
| 2    | 12-00299-01  | Switch, Low Pressure (Open 3-9psig/ Close 22-28psig) | 1   |
| 3    | 40-62116-01  | Fitting, Adaptor, 134a LS Port                       | 1   |
| 4    | 40-00249-00  | Tee, Male Branch (FPT x FPT x MPI)                   | 1   |
| 5    | 40-00190-00  | Fitting, Adaptor, 1/8" Pipe x 1/4" Flare             | 2   |
| 6    | 14-00370-00  | Unloader Valve                                       | 2   |
| 7    | 22-62268-00  | Coil, Unloader                                       | 2   |
| 8    | 42-62136-00  | Gasket, Unloader                                     | 2   |
| 9    | 40-62117-01  | Fitting, Adaptor, 134a HS Port                       | 1   |
| 10   | 14-00374-00  | Valve, Service, Compressor                           | 3   |
| 11   | 42-62134-00  | Gasket, Service                                      | 3   |
| 12   | 48-62035-00  | Spacer, Service Valve                                | 1   |
| 13   | Y60-00012-00 | Seal, Shaft  | 1   |



**6.1 Compressor Installation Components - 6NFC Bitzer - Y61-NFC02-01 & -02**



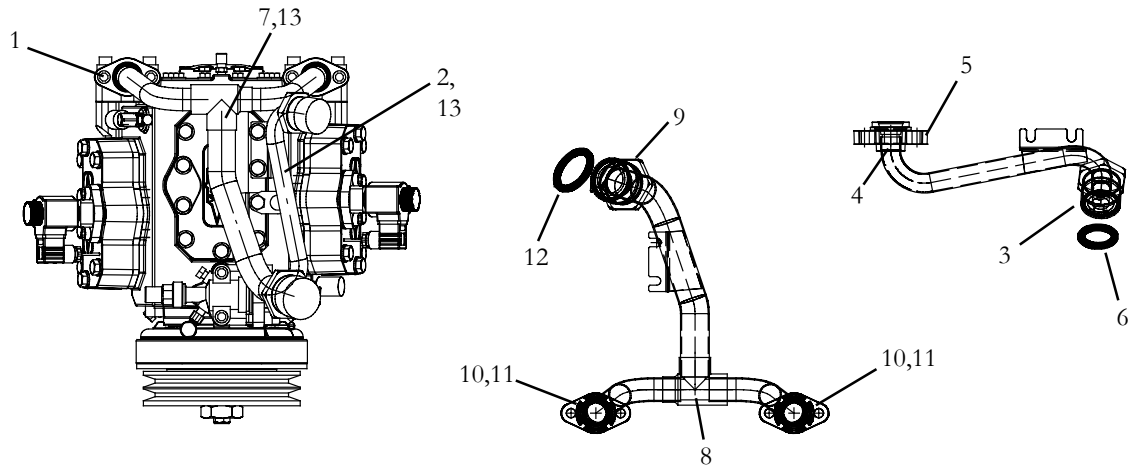
| Item | Part Number  | Description  | Qty |
|------|--------------|--|-----|
| 1    | 12-00299-03  | Switch, High Pressure (Open 350-370psig/ Close 270-300 psig)   | 1   |
| 2    | Y60-00006-03 | Clutch Assembly, 24 VDC Linnig Series, 2-5V Groove (Includes): | 1   |
| 3    | Y60-00006-56 | Coil, Clutch 24VDC w/1 Connector                               | 1   |
| 4    | Y60-00006-78 | Pulley, 2-5V x 200mm O.D.                                      | 1   |



| Item | Part Number | Description                | Qty |
|------|-------------|----------------------------|-----|
| 5    | 22-01775-00 | Connector, Shroud, 6 Way   | 1   |
| 6    | 22-02393-00 | Terminal, Male             | 8   |
| 7    | 22-02394-00 | Seal, Wire                 | 10  |
| 8    | 22-01585-02 | Connector, Tower, 2 Way    | 1   |
| 9    | 22-01566-00 | Terminal, Female           | 2   |
| 10   | 22-02392-01 | Connector, Shroud, 2 Way   | 1   |
| 11   | 22-62268-02 | Connector, Unloader Bitzer | 2   |



**6.2 Compressor Installation Components - 6NFC Bitzer - Specific to Y61-NFC02-02**



| Item | Part Number  | Description                                    | Qty |
|------|--------------|--|-----|
| 1    | Ref. Only    | Screw, Cap SKTHD, 10mm - 1.50 x 40mm           | 6   |
| 2    | Y27-00155-00 | Tube Assembly, Discharge #20 ORS, Includes:    | NSI |
| 3    | 40-00491-18  | Fitting, ORS, 1-11/16" - 12                    | 1   |
| 4    | 40-62107-00  | Flange, Tube, Bitzer                           | 1   |
| 5    | 48-62032-00  | Flange, Body, Bitzer                           | 1   |
| 6    | 42-00243-01  | O-Ring, 1.171 ID x 0.139 THK                   | 1   |
| 7    | Y27-00156-00 | Tube Assembly, Suction #24 ORS                 | NSI |
| 8    | 40-00169-54  | Tee, Reducing, 1-1/8" x 1-1/8" x 1-3/8" Solder | 1   |
| 9    | 40-00491-04  | Fitting, ORS, 2" - 12                          | 1   |
| 10   | 40-62108-00  | Flange, Tube, Bitzer                           | 2   |
| 11   | 40-62032-00  | Flange, Body, Bitzer                           | 2   |
| 12   | 42-00243-02  | O-Ring, 1.484 ID x 0.139 THK                   | 1   |
| 13   | 42-62135-00  | Gasket, Service Valve                          | 3   |



# INDEX

| <b>Part#</b> | <b>Page#</b> | <b>Part#</b> | <b>Page#</b> |
|--------------|--------------|--------------|--------------|
| <b>0</b>     |              |              |              |
| 04-00130-00, | 20, 22       | 17-40086-00, | 14           |
| 06DA403844,  | 11           | 17-40104-07, | 19           |
|              |              | 17-40104-08, | 13, 14       |
|              |              | 17-40104-20, | 19           |
|              |              | 17-40111-00, | 19           |
|              |              | 17-40204-00, | 12           |
|              |              | 17-40324-00, | 16           |
|              |              | 17-40409-00, | 19           |
|              |              | 17-40417-00, | 19           |
|              |              | 17-40418-00, | 19           |
|              |              | 17-44004-06, | 12           |
|              |              | 17-44005-00, | 18           |
|              |              | 17-44007-06, | 14           |
|              |              | 17-44008-00, | 16           |
|              |              | 17-44011-00, | 15           |
|              |              | 17-44015-00, | 17           |
|              |              | 17-44021-00, | 17           |
|              |              | 17-44022-00, | 12           |
|              |              | 17-44035-00, | 15           |
|              |              | 17-44036-00, | 16           |
|              |              | 17-44037-00, | 12, 15, 17   |
|              |              | 17-44045-01, | 16           |
|              |              | 17-44045-03, | 16           |
|              |              | 17-44074-00, | 16           |
|              |              | 17-44075-00, | 16           |
|              |              | 17-44106-00, | 14           |
|              |              | 17-44107-00, | 14           |
|              |              | 17-44111-00, | 14           |
|              |              | 17-44121-01, | 16           |
|              |              | 17-44122-01, | 16           |
|              |              | 17-44123-00, | 14           |
|              |              | 17-44126-00, | 14           |
|              |              | 17-44129-00, | 15           |
|              |              | 17-44137-00, | 12           |
|              |              | 17-44138-00, | 18           |
| <b>1</b>     |              |              |              |
| 12-00299-01, | 11, 24       |              |              |
| 12-00299-03, | 25           |              |              |
| 12-00299-14, | 23           |              |              |
| 12-00299-22, | 21           |              |              |
| 14-00171-00, | 20           |              |              |
| 14-00206-01, | 18           |              |              |
| 14-00370-00, | 24           |              |              |
| 14-00374-00, | 24           |              |              |
| 14-01042-00, | 21           |              |              |
| 14-01042-07, | 18           |              |              |
| 14-01042-10, | 23           |              |              |
| 14-01093-00, | 11           |              |              |
| 17-10218-00, | 17           |              |              |
| 17-10218-02, | 17           |              |              |
| 17-10806-10, | 18           |              |              |
| 17-10811-05, | 18, 21, 23   |              |              |
| 17-10812-00, | 21, 23       |              |              |
| 17-10812-01, | 18, 20, 23   |              |              |
| 17-31062-00, | 18           |              |              |
| 17-40002-01, | 18, 23       |              |              |
| 17-40005-05, | 18, 20, 23   |              |              |
| 17-40020-00, | 15           |              |              |
| 17-40042-00, | 15           |              |              |
| 17-40055-00, | 16           |              |              |
| 17-40056-02, | 16           |              |              |
| 17-40057-00, | 13, 14, 16   |              |              |
| 17-40078-05, | 12           |              |              |
| 17-40083-00, | 14           |              |              |





# INDEX

| <b>Part#</b>    | <b>Page#</b>   | <b>Part#</b> | <b>Page#</b> |
|-----------------|----------------|--------------|--------------|
| 17-44139-00,    | 12             | 22-02394-01, | 11, 21, 23   |
| 17-44141-00,    | 18             | 22-02804-02, | 10           |
| 17-44160-00,    | 14             | 22-62268-00, | 24           |
| 17-44742-00,    | 13             | 22-62268-02, | 25           |
| 17-44746-00,    | 13             | 24-14119,    | 4            |
| 17-44747-00,    | 13             | 24-14147,    | 4            |
| 17-44748-00,    | 13             | 24-14254,    | 4            |
| 17-44749-00,    | 13             | 29-0205,     | 4            |
| 17-44750-01,    | 13             | 29-0449,     | 4            |
| 17-44751-00,    | 13             | 29-1584,     | 5, 9         |
| 17-44765-00,    | 12             | 29-1585,     | 5, 9         |
| 17-44767-00,    | 12             | 29-1586,     | 5, 8         |
| 17-44770-00,    | 12             | 29-1646,     | 5            |
| 17-44775-00,    | 17             | 29-1647,     | 5            |
| 17-55008-00,    | 16             | 29-1648,     | 5            |
| 17-55009-01,    | 12, 16         | 29-1649,     | 5            |
| 17-55012-00,    | 13, 14         | 29-1659,     | 4            |
| 17-55018-01,    | 19             | 29-1660,     | 4            |
| 17-55023-00,    | 16             | 29-1668,     | 5            |
| 17-55025-00,    | 16             |              |              |
| 18-00091-160RM, | 10             |              |              |
|                 |                | <b>3</b>     |              |
|                 |                | 34-00613-10, | 11           |
|                 |                | 34-01186-00, | 20, 22       |
|                 |                | 34-06026-00, | 19           |
|                 |                | 34-06083-00, | 20, 22       |
|                 |                | 34-50022-00, | 18           |
|                 |                | 34-50082-00, | 18           |
|                 |                | 39-0027,     | 5            |
|                 |                | 39-0028,     | 5, 9         |
|                 |                | 39-0029,     | 5, 9         |
|                 |                | 39-0031,     | 9            |
|                 |                | 39-0035,     | 4, 8         |
|                 |                | 39-0039,     | 6            |
|                 |                | 39-0054,     | 5            |
| <b>2</b>        |                |              |              |
| 22-01566-00,    | 21, 23, 25     |              |              |
| 22-01585-00,    | 21             |              |              |
| 22-01585-00SK,  | 23             |              |              |
| 22-01585-02,    | 11, 25         |              |              |
| 22-01775-00,    | 21, 22, 25     |              |              |
| 22-02392-00,    | 21             |              |              |
| 22-02392-00SV,  | 11             |              |              |
| 22-02392-01,    | 10, 25         |              |              |
| 22-02393-00,    | 11, 21, 23, 25 |              |              |
| 22-02393-01,    | 10             |              |              |
| 22-02394-00,    | 11, 25         |              |              |



# INDEX

| <b>Part#</b> | <b>Page#</b> | <b>Part#</b>      | <b>Page#</b> |
|--------------|--------------|-------------------|--------------|
| 39-0055,     | 5            | 40-62107-00,      | 26           |
| 39-0056,     | 5            | 40-62108-00,      | 26           |
| 39-0057,     | 5            | 40-62116-01,      | 24           |
| 39-0058,     | 5            | 40-62117-01,      | 24           |
| 39-0059,     | 5            | 42-00243-00,      | 23           |
| 39-0060,     | 5            | 42-00243-01,      | 21, 23, 26   |
| 39-0061,     | 5            | 42-00243-02,      | 26           |
| 39-0063,     | 6            | 42-00243-03,      | 19           |
| 39-0066,     | 6            | 42-00243-07,      | 12, 15, 17   |
| 39-0067,     | 6            | 42-62134-00,      | 24           |
| 39-0071,     | 5            | 42-62135-00,      | 26           |
| 39-0074,     | 5            | 42-62136-00,      | 24           |
| 39-0075,     | 5            | 48-62032-00,      | 26           |
| 39-0076,     | 5            | 48-62035-00,      | 24           |
| 39-0077,     | 5            |                   |              |
| 39-0078,     | 5            |                   |              |
|              |              | <b>5</b>          |              |
|              |              | 50-01122--12,     | 20, 22       |
|              |              | 50-01122-50,      | 20, 22       |
|              |              | 50-01122-68,      | 20, 22       |
|              |              | 58-00858-00,      | 21, 22       |
|              |              | <b>6</b>          |              |
|              |              | 68G2-9072,        | 11, 16       |
|              |              | 68G2-9082,        | 11           |
|              |              | 68PD---1---102-2, | 23           |
|              |              | <b>7</b>          |              |
|              |              | 74-50111-00,      | 19           |
|              |              | 74-50111-01,      | 19           |
|              |              | <b>8</b>          |              |
|              |              | 81-01970-00,      | 23           |

## 4

|              |        |
|--------------|--------|
| 40-00169-54, | 26     |
| 40-00190-00, | 24     |
| 40-00249-00, | 24     |
| 40-00491-00, | 23     |
| 40-00491-04, | 20, 26 |
| 40-00491-08, | 21, 23 |
| 40-00491-18, | 26     |
| 40-00520-00, | 11     |
| 40-00520-01, | 11     |
| 40-00520-02, | 11     |
| 40-00520-03, | 11     |
| 40-00524-00, | 11     |
| 40-00524-01, | 11     |
| 40-01166-01, | 11     |
| 40-62032-00, | 26     |

## 5

|               |        |
|---------------|--------|
| 50-01122--12, | 20, 22 |
| 50-01122-50,  | 20, 22 |
| 50-01122-68,  | 20, 22 |
| 58-00858-00,  | 21, 22 |

## 6

|                   |        |
|-------------------|--------|
| 68G2-9072,        | 11, 16 |
| 68G2-9082,        | 11     |
| 68PD---1---102-2, | 23     |

## 7

|              |    |
|--------------|----|
| 74-50111-00, | 19 |
| 74-50111-01, | 19 |

## 8

|              |    |
|--------------|----|
| 81-01970-00, | 23 |
|--------------|----|



# INDEX

| <b>Part#</b>     | <b>Page#</b> | <b>Part#</b>     | <b>Page#</b> |
|------------------|--------------|------------------|--------------|
| <b>T</b>         |              |                  |              |
| T19-0829, 2      |              | Y27-00127-01, 20 |              |
| T19-0830, 2      |              | Y27-00155-00, 26 |              |
| T19-0831, 2      |              | Y27-00156-00, 26 |              |
| T19-0832, 2      |              | Y29-00029, 8     |              |
| T24-14407, 2, 3  |              | Y29-00030, 9     |              |
| T24-14408, 4     |              | Y29-00034, 9     |              |
| T24-14412, 4     |              | Y29-00035, 9     |              |
| T25-3650, 5      |              | Y29-00043, 8     |              |
| T29-1687, 5      |              | Y29-00046, 8     |              |
| T30-0039, 5      |              | Y29-00047, 9     |              |
|                  |              | Y29-00048, 8     |              |
|                  |              | Y39-00017-04, 11 |              |
|                  |              | Y39-00022, 8     |              |
|                  |              | Y39-00026, 9     |              |
|                  |              | Y39-00027, 9     |              |
|                  |              | Y47-00001-00, 11 |              |
|                  |              | Y60-00006-03, 25 |              |
|                  |              | Y60-00006-56, 25 |              |
|                  |              | Y60-00006-78, 25 |              |
|                  |              | Y60-00012-00, 24 |              |
|                  |              | Y61-05G02-98, 10 |              |
|                  |              | Y61-NFC02-99, 24 |              |
| <b>Y</b>         |              |                  |              |
| Y24-00350-00, 8  |              |                  |              |
| Y24-00351-00, 8  |              |                  |              |
| Y24-00352-01, 9  |              |                  |              |
| Y24-00354-00, 9  |              |                  |              |
| Y24-00355-01, 9  |              |                  |              |
| Y24-00356-00, 9  |              |                  |              |
| Y24-00357-01, 8  |              |                  |              |
| Y24-00358-01, 9  |              |                  |              |
| Y27-00127-00, 20 |              |                  |              |

# Every driver deserves the best possible vehicle climate with MCC products

MCC provides exceptional performance in mobile climate comfort.



[www.mcc-hvac.com](http://www.mcc-hvac.com)

Member of MCC Group • Certified ISO 9001 and ISO 14001.  
Specifications subject to change without notice. MCC is a registered trademark.