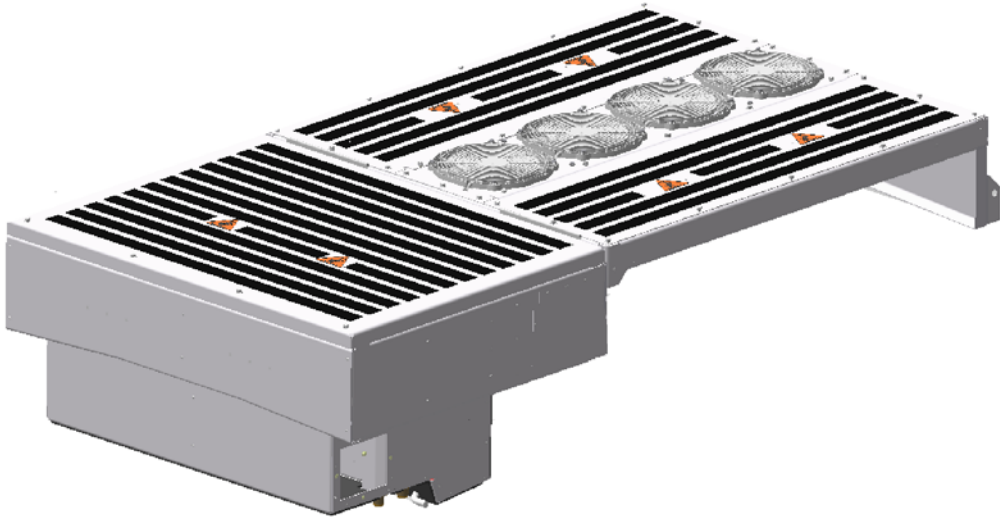




Mobile Climate Control

T-367PL Manual



SERVICE PARTS
for
MCC Eco Xcel SERIES

T-367PL

REV. 05/2015



TABLE OF CONTENTS

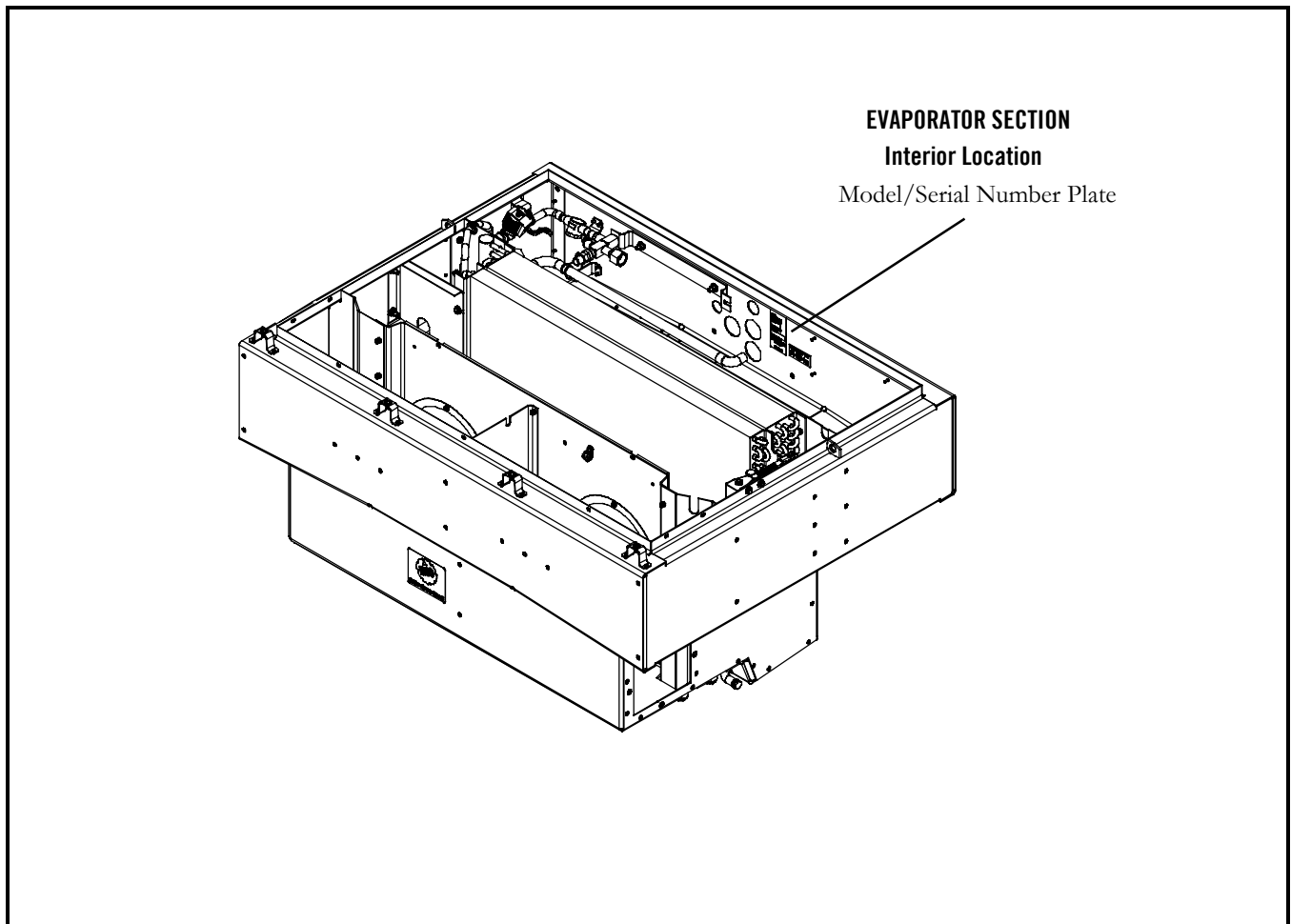
PARAGRAPH NUMBER	Page
INTRODUCTION	II
MODEL/SERIAL NUMBER PLATE LOCATION	II
MODEL CHART	II
ORDERING INSTRUCTIONS	III
GENERAL NOTES	III
1 EVAPORATOR SECTION, INTERNAL COMPONENTS	1
1 EVAPORATOR SECTION, (Continued):	2
2 CONDENSER SECTION, INTERNAL COMPONENTS	3
2 CONDENSER SECTION, (Continued)	4
3 MISCELLANEOUS COMPONENTS	5
4 ELECTRICAL COMPONENTS	6
4.1 ELECTRICAL PANEL ASSEMBLY	6
4.1 ELECTRICAL PANEL ASSEMBLY (Continued)	7
4.2 CONTROLLER ASSEMBLY	7
4.3 DRIVER DISPLAY ASSEMBLY	8
4.4 ELECTRICAL HARNESS, COMPONENTS	9
4.4 ELECTRICAL HARNESS, COMPONENTS (Continued)	10
5 Compressor Assembly Y61-05G02-21	11
5 Compressor Assembly Y61-05G02-21 (Continued)	12
5.1 Compressor Assembly, Interface Electrical Connectors	13
PART NUMBER INDEX	Index-1



INTRODUCTION

The Mobile Climate Control EcoXcel series units are of rugged frame construction, designed to be installed on the vehicle roof. This parts list identifies service replacement parts for units found in the Model Chart.

MODEL/SERIAL NUMBER PLATE LOCATION



MODEL CHART

Part (Model) Number	Refrigerant	Controller	Thermostat	Filter Material	Evaporator & Condenser Motors
50-2104	R-134a	EcoTemp NG	Adjustable	Washable	Brushless
T50-2112	R-134a	EcoTemp NG	Adjustable	Washable	Brushless



ORDERING INSTRUCTIONS

All orders and inquiries for parts must include: Unit Serial Number, Part no., description of part as shown on list and quantity required. Parts can be ordered by going to the following website:

www.mcc-hvac.com

GENERAL NOTES

To find replacement parts, determine major group in which replacement part is located, consult table of contents for the appropriate page for the illustrated breakdown of the replacement part. The following letter designations are used to classify parts throughout this list.

A/R *As Required*

NSA *Non-Stock Assembly* - order components listed under the assembly.

NSS *Not Sold Separately* - order next higher assembly or kit.

NS *Not Shown*

P *Painted*

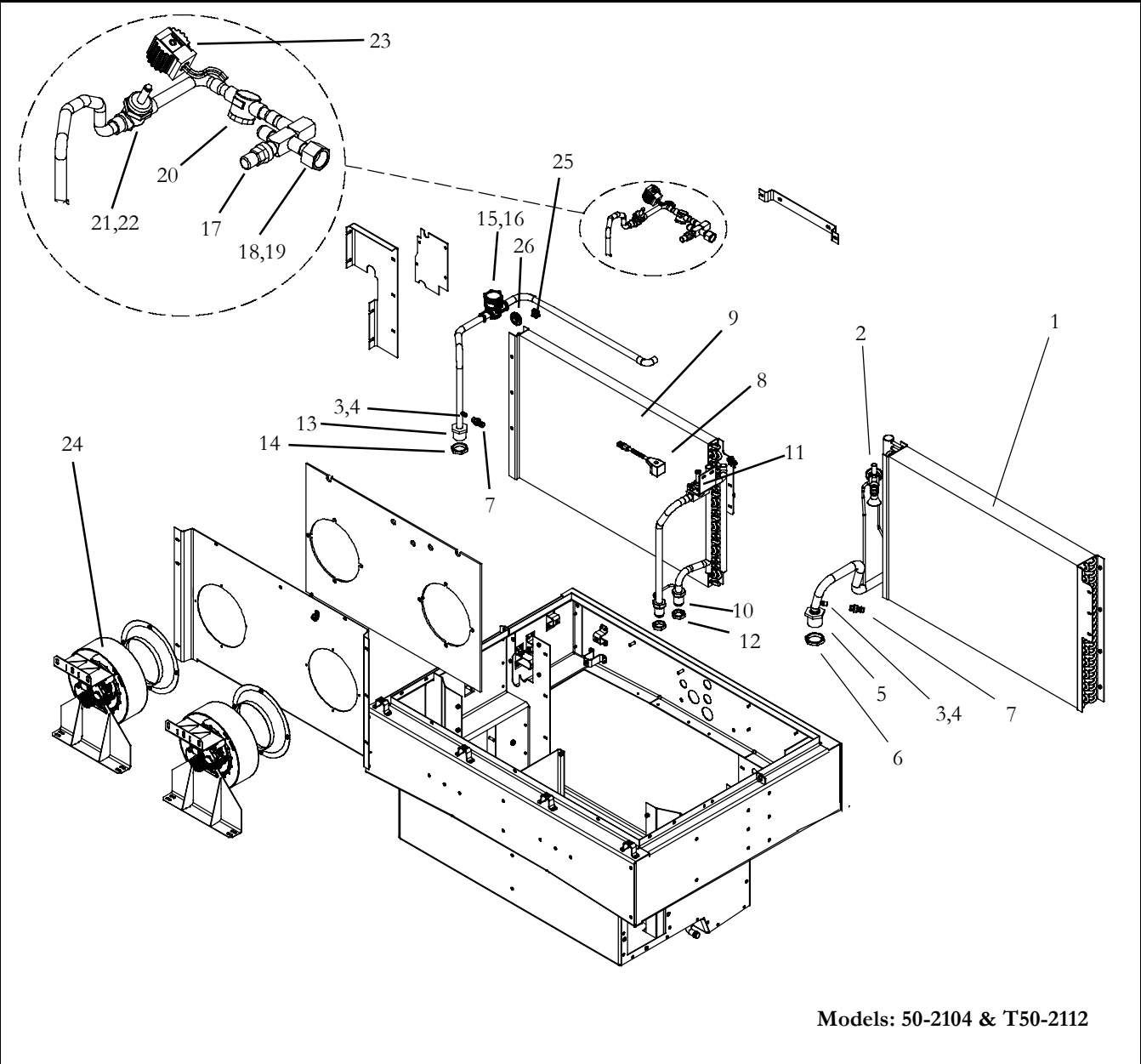
SST *Stainless Steel* - 300 Series unless otherwise specified.

SV Suffix SV added to part number designates service replacement part.

REF Reference Only



1 EVAPORATOR SECTION, INTERNAL COMPONENTS, 50-2104-00 & T50-2112-00



Models: 50-2104 & T50-2112

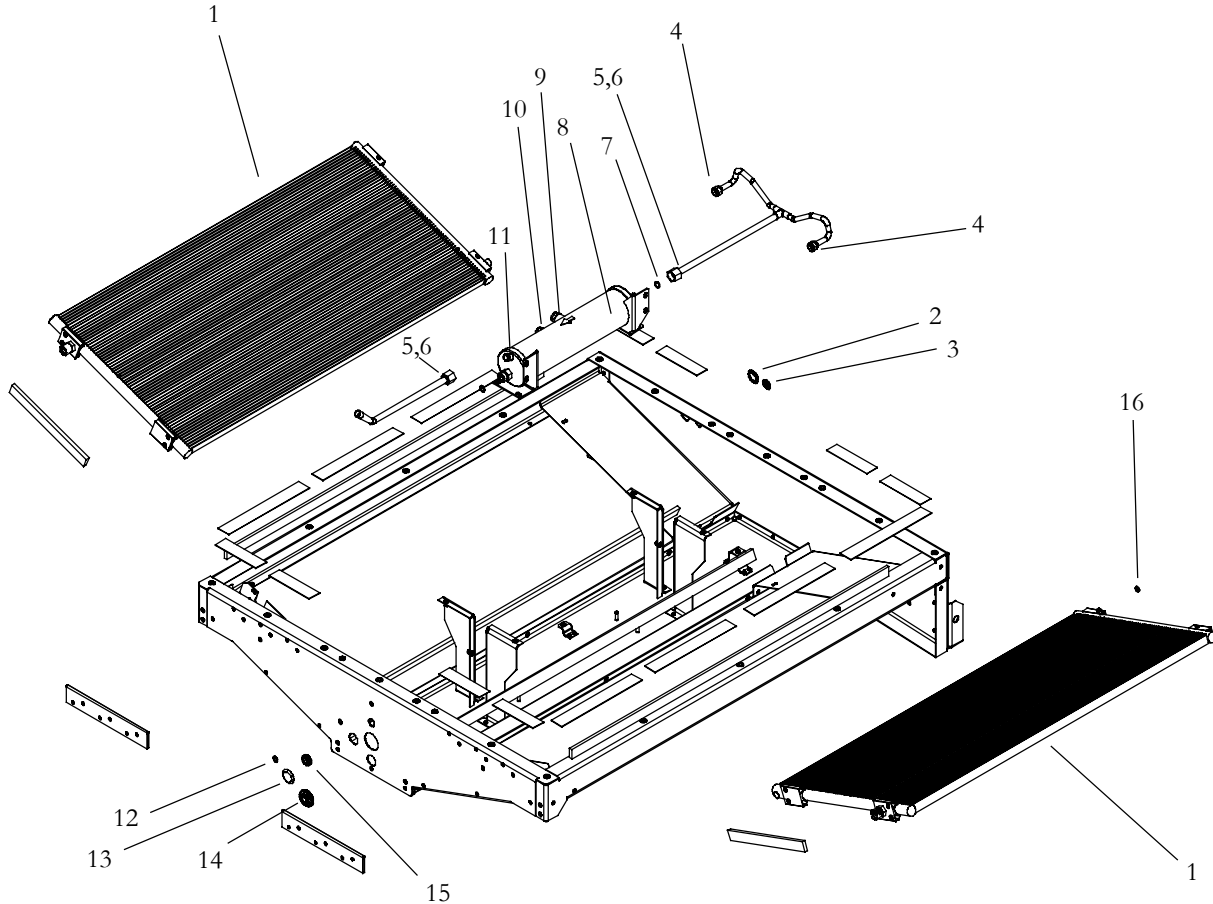
Item	Part Number	Description	Qty
1	21-2226	Coil Assembly, Evaporator: Includes:	1
2	26-2093	Valve, Expansion	1
3	40-01124-00	Valve Body, Schrader	1
4	27-0506	Core,Schrader	1
5	40-00491-07	Fitting, #24 ORS 2"-12	1
6	27-1731	Lock Nut, ORS #24	1
7	12-00352-00	Transducer, Pressure	2
8	25-2161	Coil, Solenoid, 24VDC (Heat Valve)	1
9	22-1339	Coil Assembly, Heater: Includes:	1
10	27-4224	Fitting, #16 JIC	2



1 EVAPORATOR SECTION, 50-2104-00 & T50-2112-00 (Continued):			
Item	Part Number	Description	Qty
11	26-1286	Valve, Solenoid (Heat)	1
12	27-4225	Locknut, #16-JIC	2
13	40-00491-18	Fitting, #20 ORS - 1-11/16" - 12	1
14	27-1730	Locknut, #20 ORS	1
15	26-1242	Valve, Discharge Check: Includes	1
16	26-1242-50	Repair Kit, Discharge Check Valve	1
17	40-00501-05	Valve, Service	1
18	40-60009-04	Nut, Female #10	1
19	27-1734	Braze Shoulder #10	1
20	26-0663	Sight Glass, 5/8" Sweat	1
21	26-1241	Valve Body, Solenoid (LLS)	1
22	14-00236-51	Repair Kit, Valve Body, Solenoid (LLS)	1
23	25-1905	Coil, Solenoid 24 VDC, (LLS)	1
24	15-9814	Impeller Assembly, 24 VDC	2
25	29-1078	Clip	1
26	28-0005	Grommet, 5/8"	1



2 CONDENSER SECTION, INTERNAL COMPONENTS, 50-2104-01



Models: 50-2104 & T50-2112

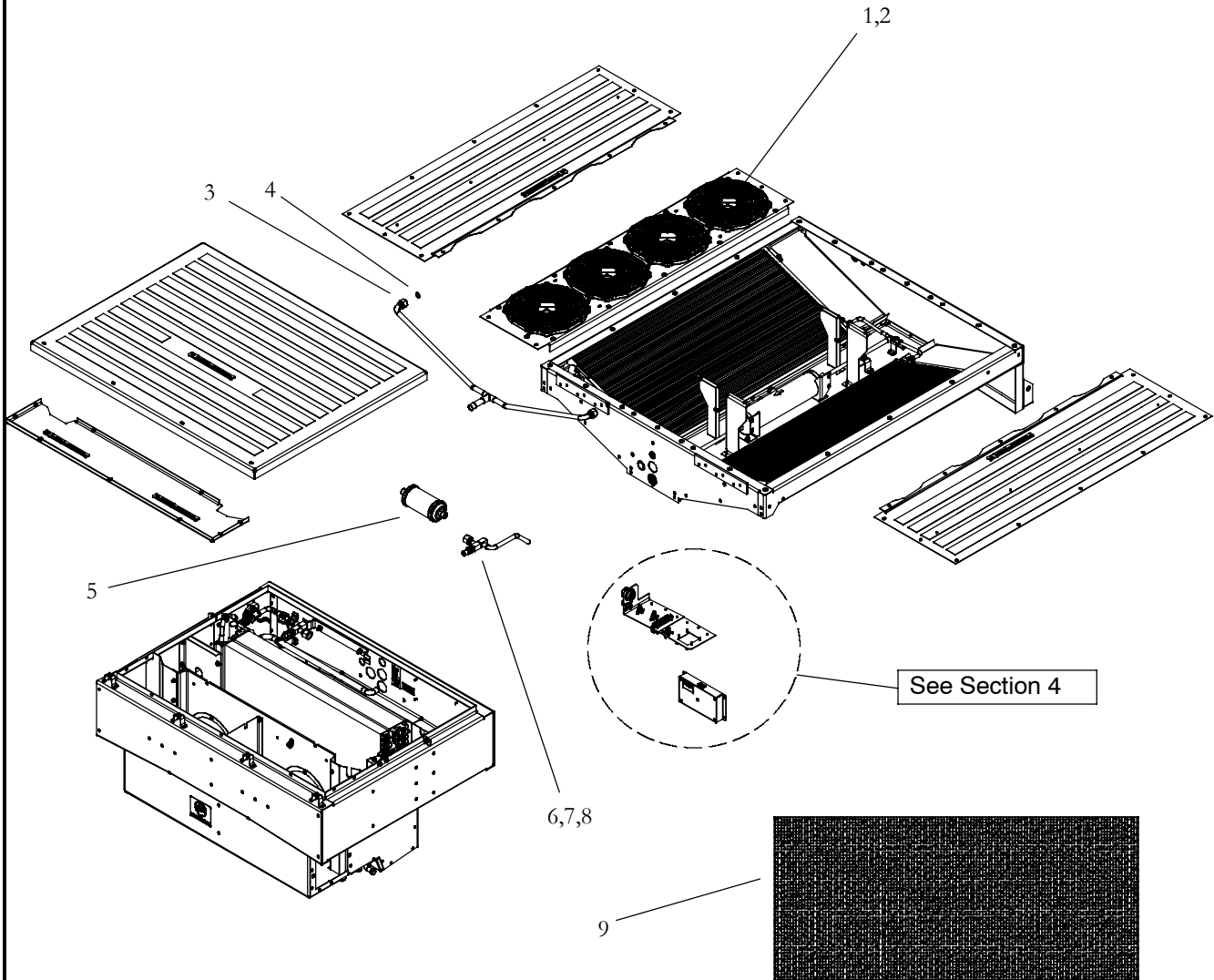
Item	Part Number	Description	Qty
1	08-67026-02	Coil, MCHX, Condenser	2
2	28-2073	Plug, Hole 1- 1/8"	1
3	28-0332	Plug, Hole 3/4"	1



2 CONDENSER SECTION, 50-2104-01 (Continued)			
Item	Part Number	Description	Qty
4	27-0161	Swivel Nut, ORS #8	2
5	27-1734	Braze Shoulder, #10	2
6	27-1720	Nut, Female #10	2
7	27-1741	O-Ring, #10	2
8	Y26-00005-01	Receiver Tank Assembly, Includes:	1
9	14-00111-00	SightGlass	1
10	101-203	Sight Glass w/Moisture Indicator	1
11	14-01032-11	Fusible Plug	1
12	28-0011	Plug, Snap In, 1/2"	1
13	28-0013	Plug, Hole 1-1/4"	1
14	28-0007	Grommet, 1- 1/8"	1
15	28-0009	Grommet, 5/8" ID	1
16	27-0602	O-Ring, #8	2



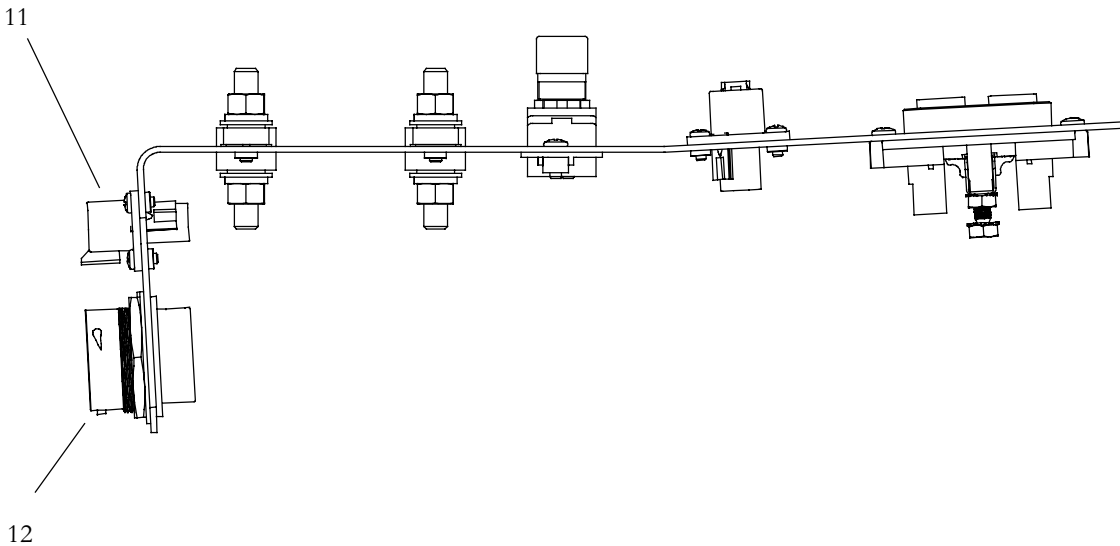
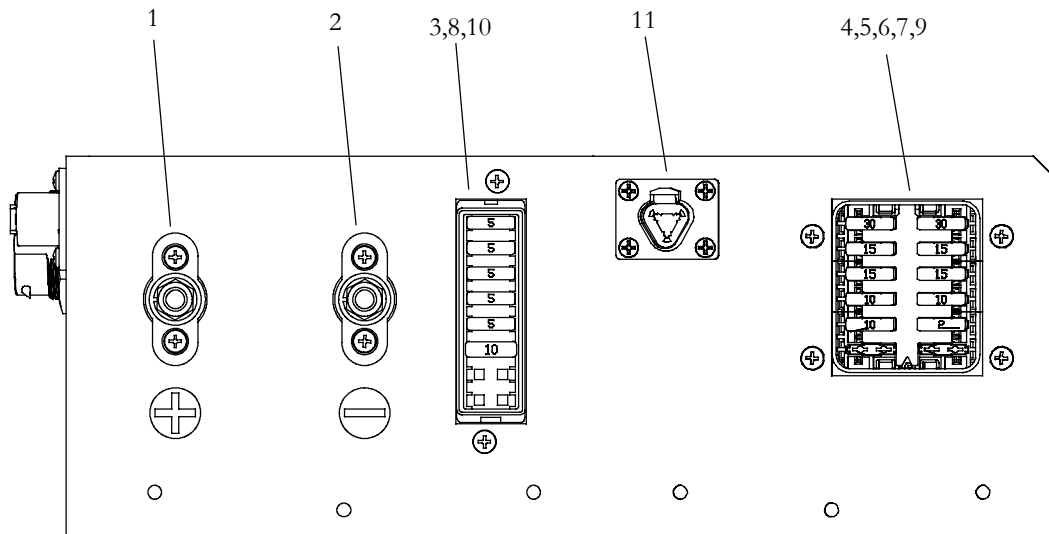
3 MISCELLANEOUS COMPONENTS



Item	Part Number	Description	Qty
1	15-9834	Fan, Axial	4
2	73-67002-00	Grille, Fan	4
3	27-0069	Nut, Female #12	2
4	27-0604	O-Ring, #12	2
5	26-0658	Filter Drier	1
6	40-00501-12	Valve, Service	1
7	27-1734	Shoulder, Braze #10	1
8	40-60009-04	Nut, Female #10	1
9	801-446-2	Filter, Return Air, 26.5" x 46.5" x 1" (Sold Separate from Unit)	1



4 ELECTRICAL COMPONENTS
4.1 ELECTRICAL PANEL ASSEMBLY, 25-3525



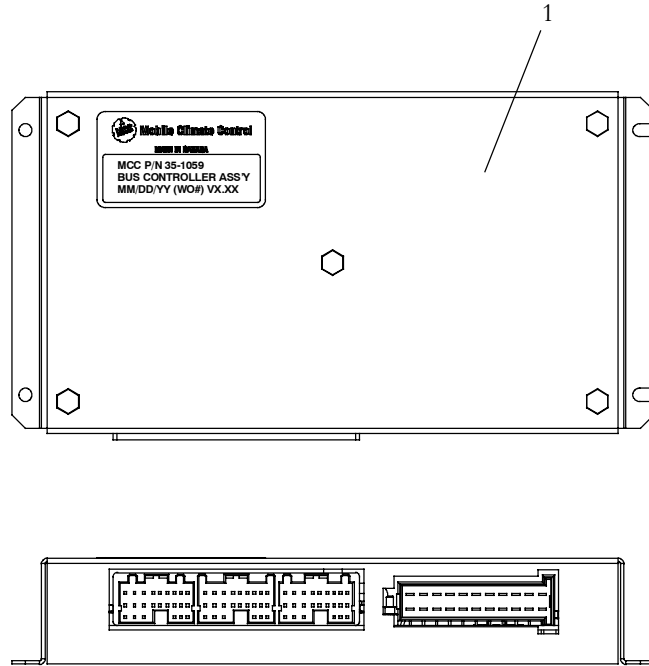
Models: 50-2104 & T50-2112

Item	Part Number	Description	Qty
1	25-3543	Stud, 3/8" RED	1
2	25-2580	Stud, 3/8" BLACK	1
3	31-1921	Fuse Holder, 8 Way	1
4	31-1896	Fuse Box	1
5	25-0688	Fuse, 30 AMP	2
6	25-0685	Fuse, 15 AMP	4
7	25-0684	Fuse, 10 AMP	3
8	25-0569	Fuse, 5 AMP	5
9	25-0610	Fuse, 2 AMP	1



4.1 ELECTRICAL PANEL ASSEMBLY, 25-3525, (Continued)			
Item	Part Number	Description	Qty
10	25-3162	Circuit Breaker, 10 AMP	1
11	31-1895	Flanged Connector, DT Circular, 3 Contacts	2
12	31-1894	Connector, Circular, Deutsch HDP, 19 Contacts	1

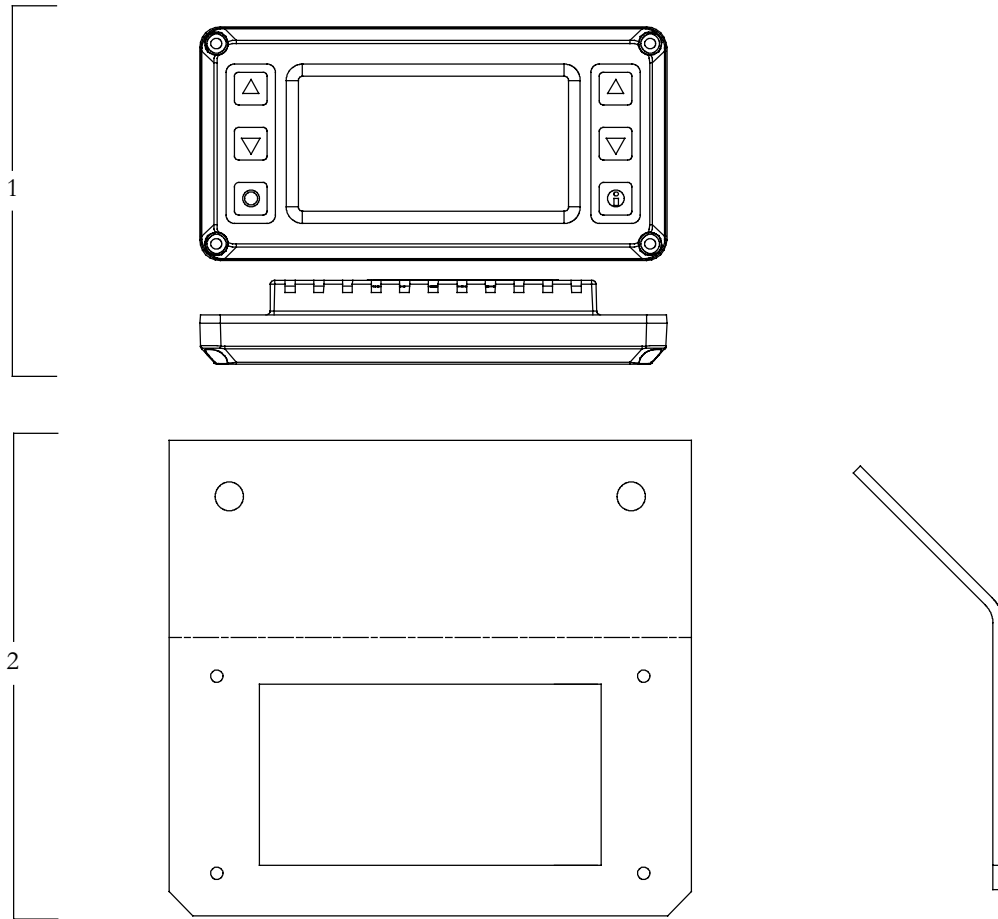
4.2 CONTROLLER ASSEMBLY



Item	Part Number	Description	Qty
1	35-1059	Controller Assembly, Bus, (Used in Model 50-2104)	1
	35-1235	Controller Assembly, Bus, (Used in Model T50-2112)	1



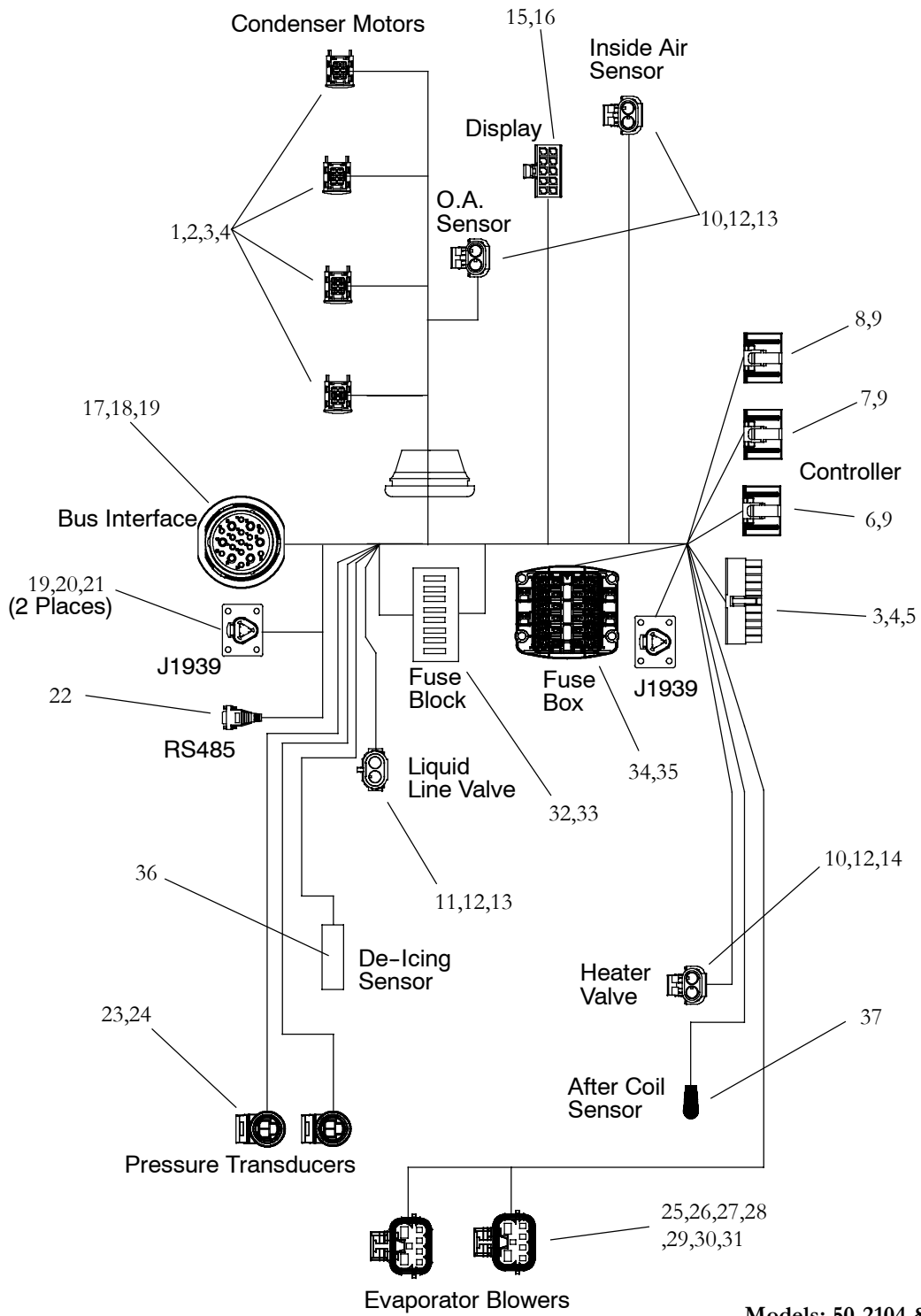
4.3 DRIVER DISPLAY ASSEMBLY



Item	Part Number	Description	Qty
1	35-1029	Driver Display, Eco Temp NG, (Used in Model 50-2104)	1
	35-1233	Driver Display, Eco Temp NG, (Used in Model T50-2112)	1
2	24-13957	Bracket, Display	1



4.4 ELECTRICAL HARNESS, COMPONENTS 25-3525



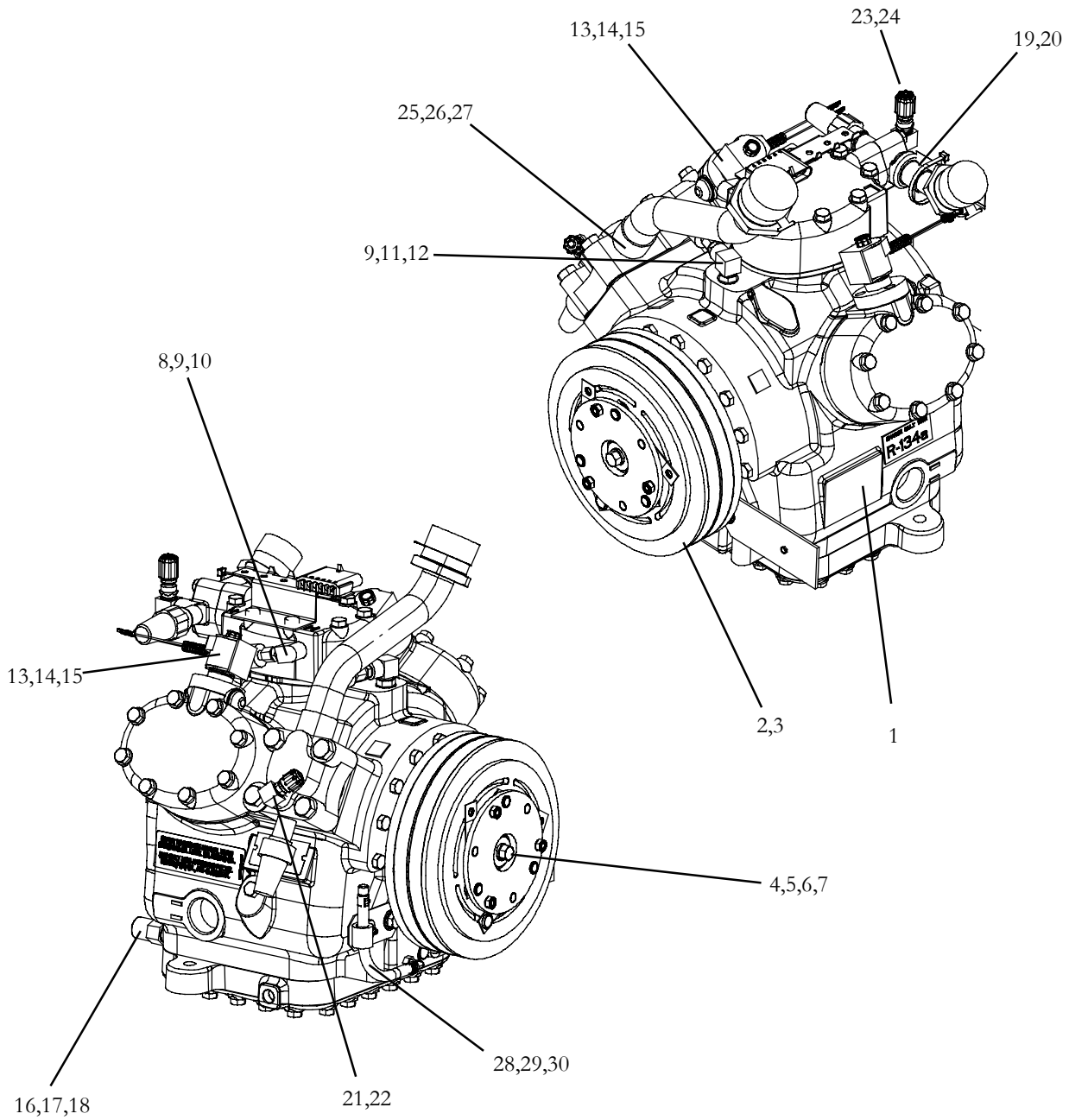
Item	Part Number	Description	Qty
1	31-1865	Timer Connector, 6 Way	4
2	31-1870	Timer Connector, Cavity Plug	12



4.4 ELECTRICAL HARNESS, COMPONENTS 25-3525: (Continued)			
Item	Part Number	Description	Qty
3	31-1674	Terminal, Female 14 GA	14
4	31-1673	Terminal, Female 18 GA	10
5	31-1877	Timer Connector, 22 Way	1
6	31-1880	Connector, Multilock 24P (Green)	1
7	31-1882	Connector, Multilock 24P (Gray)	1
8	31-1881	Connector, Multilock 24P (White)	1
9	31-1908	Contact, 18-22 GA	29
10	31-1025	Connector, WP Tower, 2 Way	3
11	31-1068	Connector, WP Shroud, 2 Way	3
12	31-1131	Seal, WP 18 GA	8
13	31-1267	Terminal, WP Female, 18 GA	6
14	31-1266	Terminal, WP Male, 18 GA	2
15	31-1874	Connector, Centerline, 10 Way	1
16	31-1875	Terminal, Centerline Connector	5
17	31-1894	Connector, Deutsch Circular, 19 Way	1
18	31-1203	Pin, Deutsch, 12 GA	3
19	31-1857	Pin, Deutsch, 18 GA	13
20	31-1895	Connector, Deutsch 3 Way Flanged	2
21	31-1054	Seal Plug, Deutsch	2
22	28-0637	Cable Cover, DSUB	1
23	31-1295	Connector, Packard Female 3 Way	2
24	31-1296	Terminal, Packard Female 18 GA	6
25	31-1934	Connector, Metri-Pack Female 7 WAY	2
26	31-1935	Lock, Secondary, Metri-Pack	2
27	31-1232	Cavity Plug, Metri-Pack	6
28	31-1314	Seal, Metri-Pack, 22 ga	4
29	31-1088	Terminal, Metri-Pack, Female 22 ga	4
30	31-1564	Terminal, Metri-Pack, Female 10 GA	4
31	31-1476	Seal, Metri-Pack, 14 ga	4
32	31-1923	Receptacle, Quick, 1/4", 22-18 GA	8
33	31-1922	Receptacle, Quick, 1/4", 16-14 GA	4
34	31-1697	Terminal, Female, Delphi Automotive, 14 GA	8
35	31-1943	Terminal, Female, Delphi Automotive, 10 GA	3
36	35-0008	De-Icing Sensor	1
37	35-0176	After Coil Sensor	1
NS	25-3280	Inside Air Sensor Assembly	1
NS	25-0545	Outside Air Sensor Assembly	1



5 Compressor Assembly Y61-05G02-21



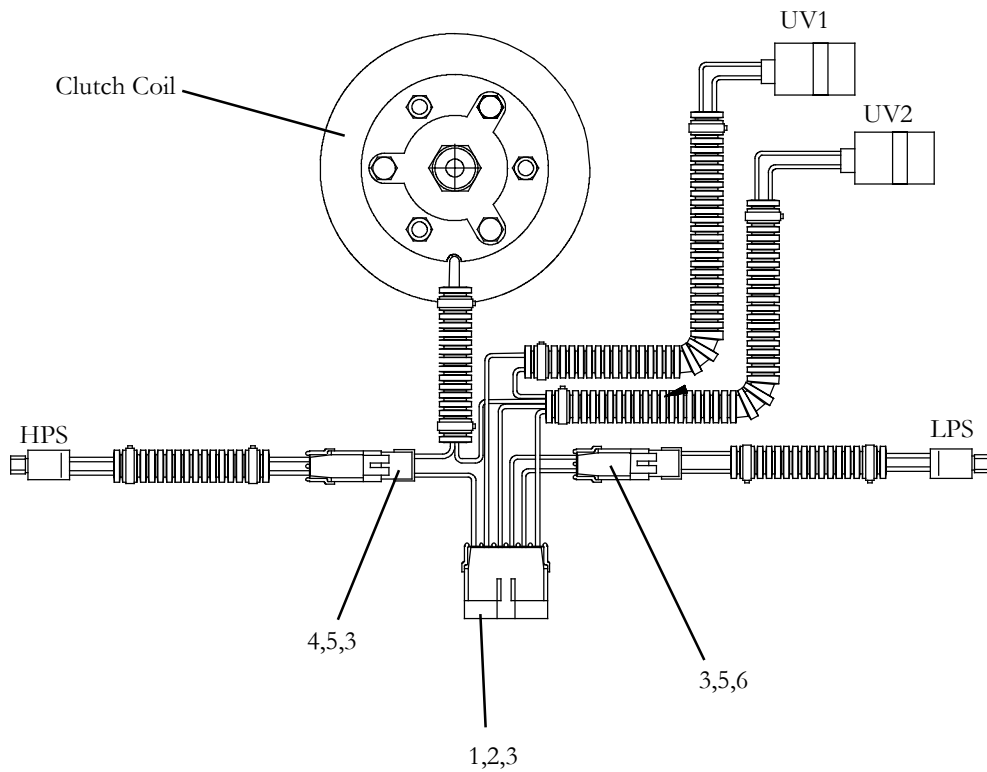
Item	Part Number	Description	Qty
1	Y61-05G02-98RMO	Replacement Compressor, 41CFM, Twin Port w/oil	1
	Y61-05G02-98RM	Replacement Compressor, 41CFM, Twin Port w/o oil	1
2	50-01122-12	Clutch Assembly, 24 VDC, 2 -5V Groove: Includes	1
3	50-01122-50	Coil, 24 VDC	1
4	34-00559-10	Screw, Cap Hex Head, 3/8"-24 UNF STL Plated	1



5 Compressor Assembly Y61-05602-21 (Continued)			
Item	Part Number	Description	Qty
5	68-G---2--9082	Washer, Special	1
6	68-G---2--9072	Key	1
7	34-06083-00	Nut, Nyloc, (Retains Pulley on Hub)	1
8	12-00299-22	Switch, High Pressure	1
9	06DA403844	Valve assembly	2
10	14-01093-00	Snubber Assembly, 90 degree	1
11	12-00299-01	Switch, Low Pressure	1
12	40-01166-01	Fitting, 1/4"-18 NPTF x 7/16" - 20 SAE	1
13	22-02804-02	Coil, Unloader, 24 VDC	2
14	22-02393-01	Terminal, Male, 14-16 AWG	4
15	22-02394-00	Seal, Cable	4
16	40-00528-01	Adaptor, 1/4" NPT x 7/16"-20 SAE	1
17	42-00243-07	O-Ring, 0.351 ID x 0.072 THK	1
18	EP23LC090	Valve, 1/4" NPT x 1/4" SAE Flare	1
19	Y27-00127-01	Valve Assembly, Discharge	NSI
20	68-G---2--9152	Gasket, Discharge Service Valve	1
21	40-00520-00	Coupling, R-134a, Low Side	1
22	40-00524-00	Elbow, M13 x 1/4"-18 NPT	1
23	40-00524-01	Elbow, M15 x 1/8"-27 NPT	1
24	40-00520-01	Coupling, R-134a, High Side	1
25	Y27-00127-00	Valve Assembly, Suction	NSI
26	42-00243-02	O-Ring, 1.484 ID x 0.139 THK	1
27	17-40005-05	Gasket, Suction Service Valve	1
28	Y39-00016-01	Clamp, Spring, 7/16" OD Hose	2
29	Y39-00017-04	Plug, 5/16" ID Hose	1
30	Y47-00001-00	Tube, 5/16" ID Hose	1



5.1 Compressor Assembly, Interface Electrical Connectors



Item	Part Number	Description	Qty
1	22-01775-00	Connector, Male 6 Way Weatherpac	1
2	22-02393-00	Terminal, Male, 14 - 16 GA	6
3	22-02394-01	Seal, Cable	10
4	22-01585-00	Connector, Male 2 Way Weatherpac	1
5	22-01566-00	Terminal, Female, 14 - 16 GA	4
6	22-02392-00	Connector, Female 2 Way Weatherpac	1



Part #	Page #	Part #	Page #	Part #	Page #
0					
06DA403844	12	25-2161	1	31-1088	10
08-67026-02	3	25-2580	6	31-1131	10
1					
101-203	4	25-3162	7	31-1203	10
12-00299-01	12	25-3280	10	31-1232	10
12-00299-22	12	25-3543	6	31-1266	10
12-00352-00	1	26-0658	5	31-1267	10
14-00111-00	4	26-0663	2	31-1295	10
14-00236-51	2	26-1241	2	31-1296	10
14-01032-11	4	26-1242	2	31-1314	10
14-01093-00	12	26-1242-50	2	31-1476	10
15-9814	2	26-1286	2	31-1564	10
15-9834	5	26-2093	1	31-1673	10
17-40005-05	12	27-0069	5	31-1674	10
2					
21-2226	1	27-0161	4	31-1697	10
22-01566-00	13	27-0506	1	31-1857	10
22-01585-00	13	27-0602	4	31-1865	9
22-01775-00	13	27-0604	5	31-1870	9
22-02392-00	13	27-0604	5	31-1874	10
22-02393-00	13	27-1720	4	31-1875	10
22-02393-01	12	27-1730	2	31-1877	10
22-02394-00	12	27-1731	1	31-1880	10
22-02394-01	13	27-1734	2, 4, 5	31-1881	10
22-02804-02	12	27-1741	4	31-1894	7, 10
22-1339	1	27-4224	1	31-1895	7, 10
24-13957	8	27-4225	2	31-1896	6
25-0545	10	28-0005	2	31-1908	10
25-0569	6	28-0007	4	31-1921	6
25-0610	6	28-0009	4	31-1922	10
25-0684	6	28-0011	4	31-1923	10
25-0685	6	28-0013	4	31-1934	10
25-0688	6	28-0332	3	31-1935	10
25-1905	2	28-0637	10	31-1943	10
3					
		28-2073	3	34-00559-10	11
		29-1078	2	34-06083-00	12
				35-0008	10
				35-0176	10
		31-1025	10	35-1029	8
		31-1054	10	35-1059	7
		31-1068	10	35-1233	8
				35-1235	7



Part #	Page #	Part #	Page #	Part #	Page #
4		5		E	
40-00491-07	1	50-01122-12	11	EP23LC090	12
40-00491-18	2	50-01122-50	11		
40-00501-05	2	6		Y	
40-00501-12	5	68-G---2--9072	12	Y26-00005-01	4
40-00520-00	12	68-G---2--9082	12	Y27-00127-00	12
40-00520-01	12	68-G---2--9152	12	Y27-00127-01	12
40-00524-00	12	7		Y39-00016-01	12
40-00524-01	12	73-67002-00	5	Y39-00017-04	12
40-00528-01	12	8		Y47-00001-00	12
40-01124-00	1	801-446-2	5	Y61-05G02-98RM	11
40-01166-01	12			Y61-05G02-98RMO	11
40-60009-04	2, 5				
42-00243-02	12				
42-00243-07	12				

Every driver deserves the best possible vehicle climate with MCC products

MCC provides exceptional performance in mobile climate comfort.



www.mcc-hvac.com

Member of MCC Group • Certified ISO 9001 and ISO 14001.
Specifications subject to change without notice. MCC is a registered trademark.