



Mobile Climate Control

T-306PL Manual



OPERATION AND SERVICE
for
68RM55-100/101
MICROMAX

T-306PL

REV. 06/2012



TABLE OF CONTENTS

PARAGRAPH NUMBER	Page
INTRODUCTION	iii
MODEL/SERIAL NUMBER PLATE LOCATION	iii
MODEL CHART	iv
ORDERING INSTRUCTIONS	iv
GENERAL NOTES	iv
1 UNIT ASSEMBLY - LOCATIONAL VIEW	1
2 ELECTRICAL COMPONENTS	2
2.1 Electrical Components - Model 68RM55-100-17	2
2.2 Electrical Components - Model 68RM55-100-22	4
2.3 Electrical Components - Models 68RM55-100-23, -25	6
2.4 Electrical Components - Model 68RM55-100-24	9
2.5 Electrical Components - Models 68RM55-101-3, -5	12
2.6 Electrical Components - Model 68RM55-101-4	14
2.7 Electrical Components - Model 68RM55-101-6	16
2.8 Electrical Components - Models 68RM55-101-7, -9, -12,-19, -20, -24	18
2.9 Electrical Components - Models 68RM55-101-8, -10, -11, -15, -16, -17, -23, -25, -26	21
2.10 Electrical Components - Model 68RM55-101-18, -21	24
3 ELECTRICAL CONTROL PANELS	26
3.1 Electrical Control Panel - Model 68RM55-100-17	26
3.2 Electrical Control Panel - Models 68RM55-100-22, -101-8, -10, -11, -15, -16, -17, -23, -25, -26	28
3.3 Electrical Control Panel - Models 68RM55-100-23, -25, 101-6, -7, -9, -19, -24	32
3.4 Electrical Control Panel - Models 68RM55-101-3, -5	34
3.5 Electrical Control Panel - Model 68RM55-101-4	37
3.6 Electrical Control Panel - Model 68RM55-100-24	40
3.7 Electrical Control Panel - Models 68RM55-101-12, -18, -20, -21	43
4 COIL KIT	46
4.1 Coil Kit - Model 68RM55-100-17	46
4.2 Coil Kit - Models 68RM55-100-22, -23, -24, -25	46
4.3 Coil Kit - Model 68RM55-101-3	47
4.4 Coil Kit - Models 68RM55-101-4, -5, -6, -7, -8, -9, -10, -11, -12, -15, -16, -17, -18, -19, -20, -21, -23, -24, -25, -26	47
5 REFRIGERANT PIPING KIT - R-22 Models	48
5.1 Refrigerant Piping Kit - Model 68RM55-100-17	48
5.2 Refrigerant Piping Kit - Models 68RM55-100-22, -23, -24, -25	52
6 REFRIGERANT PIPING KIT - R-134a Models	56
6.1 Refrigerant Piping Kit - Models 68RM55-101-3, -4, -5	56
6.2 Refrigerant Piping Kit - Models 68RM55-101-6, -7, -8, -9, -10, -12, -15, -16, -19, -20, -23, -24, -25	60
6.3 Refrigerant Piping Kit - Models 68RM55-101-11, -17, -18, -21, -26	64
7 AIR FILTER KIT - 68RM55-101-12, -19, -20, -21, -23, -24, -25, -26 Systems	70

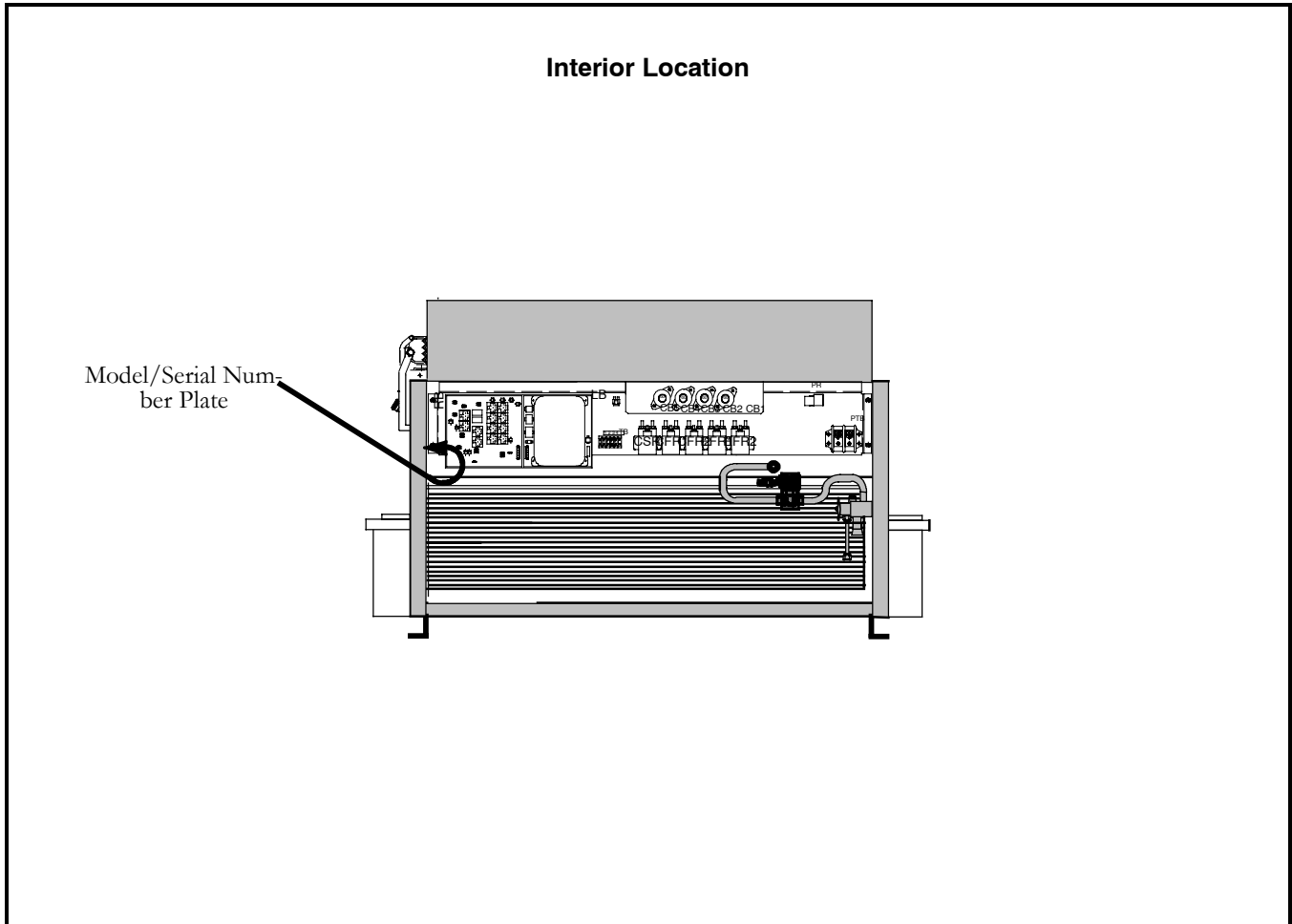


PARAGRAPH NUMBER	Page
8 HEATER CONNECTION ASSEMBLY - All 68RM55 Systems	71
9 LABELS - GASKETS	72
9.1 Labels - Gaskets - R22 Units	72
9.2 Labels - Gaskets - R134a Units	73
10 CONDENSER FAN MOTOR ASSEMBLY	74
10.1 Condenser Fan Motor Assembly - Common Parts - All Models	74
10.2 Condenser Fan Motor Assembly - Models 68RM55-100-22, 101-8, -10, -11, -15, -16, -17, -23, 25, -26	74
10.3 Condenser Fan Motor Assembly - Models 68RM55-100-17, -23, -25, 101-3, -5, -6, -7, -9, -12, -18, -19, -20, -21, -24	75
10.4 Condenser Fan Motor Assembly - Model 68RM55-100-24, 101-4	75
11 EVAPORATOR BLOWER ASSEMBLY	76
11.1 Evaporator Blower Assembly - Common Parts - All Models	76
11.2 Evaporator Blower Assembly - Models 68RM55-100-17, -23, 101-3, -5, -6	76
11.3 Evaporator Blower Assembly - Models 68RM55-100-24, 101-4	77
11.4 Evaporator Blower Assembly - Models 68RM55-100-22	77
11.5 Evaporator Blower Assembly - Models 68RM55-100-25, 101-7, -9, -12, -18, -19, -20, -21, -24	78
11.6 Evaporator Blower Assembly - Models 68RM55-101-8, -10, -11, -15, -16, -17, -23, 25, -26	79
12 COMPRESSOR INSTALLATION COMPONENTS	80
12.1 Compressor Installation Components - R-22 Systems - Common Parts	80
12.2 Compressor Installation Components - 68RM55-100-17	82
12.3 Compressor Installation Components - 68RM55-100-22	83
12.4 Compressor Installation Components - 68RM55-100-23, -24, -25	84
12.5 Compressor Installation Components - R-134a Systems - Common Parts	86
12.6 Compressor Installation Components - 68RM55-101-3, -4, -5, -6, -7, -8	88
12.7 Compressor Installation Components - 68RM55-101-9	89
12.8 Compressor Installation Components - 68RM55-101-7, -8, -9, -10, -11, -12, -15, -16, -17, -18, -19, -20, -21, -23, -24, -25, -26	90
13 MICROMATE CONTROL PANEL	92
PART NUMBER INDEX	Index-1

INTRODUCTION

This parts list identifies service replacement parts for Mobile Climate Control Model 68RM55-100 and Model 68RM55-101 Bus Air Conditioning and Heating systems found in the Model Chart (below). This parts list contains parts required to modify the standard O5G compressor to these applications.

MODEL/SERIAL NUMBER PLATE LOCATION





MODEL CHART

Part (Model) Number	Refrigerant	Supplied Compressor	Air Return Filter Material	Evaporator & Condenser Motors
68RM55-100-17	R-22	68PD537-104-102	OEM Supplied	Brushless
68RM55-100-22		68PD537-104-119		Wound Field
68RM55-100-23		68PD537-104-122		Brushless
68RM55-100-24				Permanent Magnet
68RM55-100-25				Brushless
68RM55-101-3	R-134a	68PD541-104-54		Brushless
68RM55-101-4				Permanent Magnet
68RM55-101-5				Brushless
68RM55-101-6				Brushless
68RM55-101-7				68PD541-104-54 or 68PD541-104-77
68RM55-101-8		Wound Field		
68RM55-101-9		68PD541-104-77 or 68PD541-104-78		Brushless
68RM55-101-10				Wound Field
68RM55-101-11		68PD541-104-77		Wound Field
68RM55-101-12				Brushless
68RM55-101-15				Wound Field
68RM55-101-16				Wound Field
68RM55-101-17				Wound Field
68RM55-101-18				Brushless
68RM55-101-19				Brushless
68RM55-101-20			Brushless	
68RM55-101-21			Brushless	
68RM55-101-23			Wound Field	
68RM55-101-24			Brushless	
68RM55-101-25			Wound Field	
68RM55-101-26	Wound Field			

ORDERING INSTRUCTIONS

All orders and inquiries for parts must include: Unit Serial Number, Part no., description of part as shown on list and quantity required. Parts can be ordered by going to the following website:

www.mcc-hvac.com

GENERAL NOTES

To find replacement parts, determine major group in which replacement part is located, consult table of contents for the appropriate page for the illustrated breakdown of the replacement part. The following letter designations are used to classify parts throughout this list.

A/R As Required

NSA Non-Stock Assembly - order components listed under the assembly.

NSS Not Sold Separately - order next higher assembly or kit.

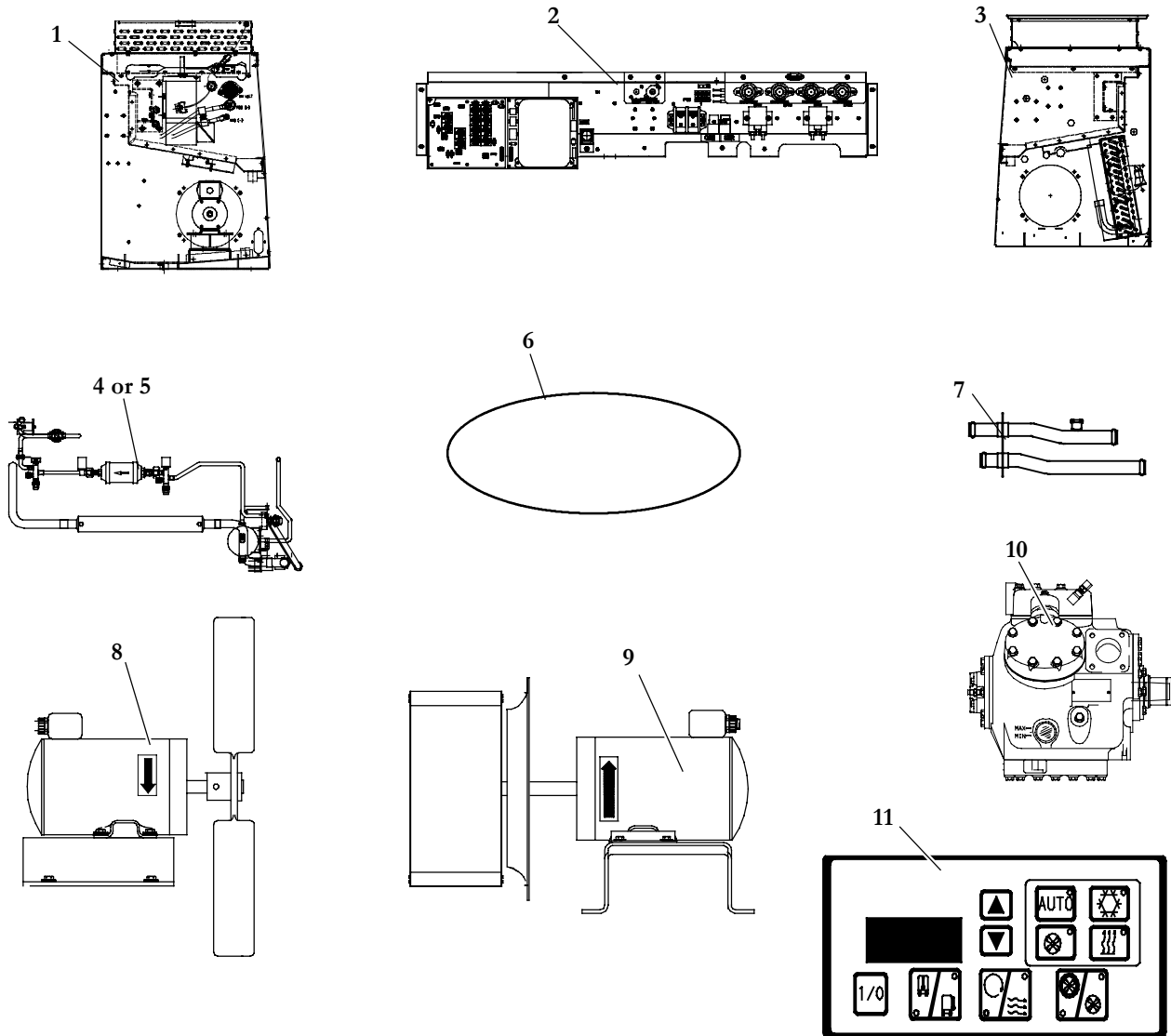
P Painted

SST Stainless Steel - 300 Series unless otherwise specified.

SV Suffix SV added to part number designates service replacement part.



1 UNIT ASSEMBLY - LOCATIONAL VIEW



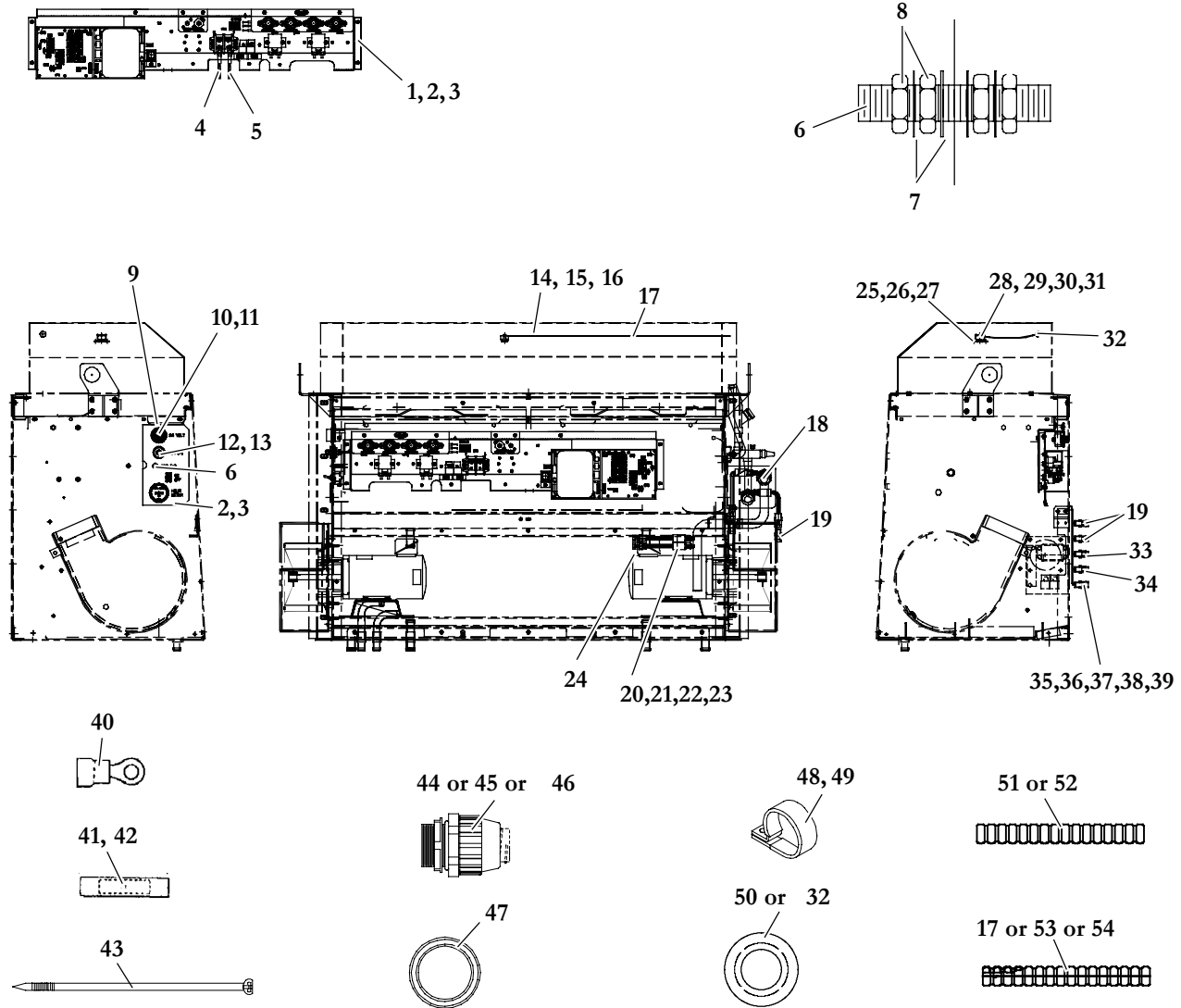
Item	Description	Qty.
1	ELECTRICAL COMPONENTS (Refer to Section 2)	-
2	ELECTRICAL CONTROL PANELS (Refer to Section 3)	-
3	COIL KITS (Refer to Section 4)	-
4	REFRIGERANT PIPING KIT - R-22 (Refer to Section 5.1)	-
5	REFRIGERANT PIPING KIT - R-134a (Refer to Section 6)	-
6	LABEL - GASKETS (Refer to Section 9)	-
7	HEATER CONNECTION ASSEMBLY (Refer to Section 8)	-
8	CONDENSER FAN AND MOTOR (Refer to Section 10)	-
9	EVAPORATOR FAN AND MOTOR (Refer to Section 11)	-
10	COMPRESSOR COMPONENTS (Refer to Section 12)	-
11	MICROMATE CONTROL PANEL (Refer to Section 13)	-



2 ELECTRICAL COMPONENTS

2.1 Electrical Components - Model 68RM55-100-17

Kit 68RM55-108-15



Item	Part Number	Description	Qty
1	68RM55-131-12	Panel Assembly, Electrical (See Section 3.1)	1
2	34-00655-08	Screw, Hex Head, 1/4-20 x 1.00 Inch Long, SST	12
3	34-06212-12	Washer, Plain, 1/4 Inch, Type A, SST	4
4	68RM55-209	Cable Assembly, Battery, Black x 34.00 Inches Long	1
5	68RM55-210	Cable Assembly, Battery, Red x 34.00 Inches Long	1
6	34-06095-00	Stud, Battery Connection, 3/8-16 x 2.00 Inches Long, Brass	1
7	34-00938-13	Washer, Lock, Internal Tooth, 3/8, Silicone Bronze	4
8	34-00879-03	Nut, Hex, Jam, 3/8-16, Brass	4
9	62-62012-00	Label, 24 VOLT POS (+) NEG (-)	1
10	22-01565-00	Connector, Male, 22 Pin	1
11	22-50078-09A	Lock, Secondary	2
12	10-00315-00	Stud, Battery Connection, 3/8-16 x 2.07 Inches Long, Brass	1
13	34-62001-00	Washer, Nylon, Red	1

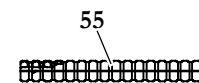
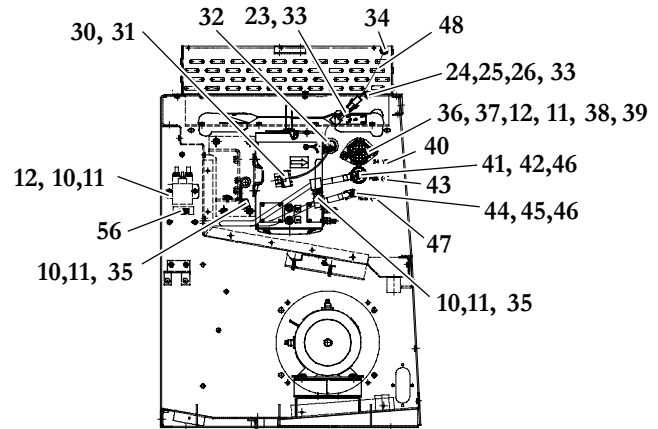
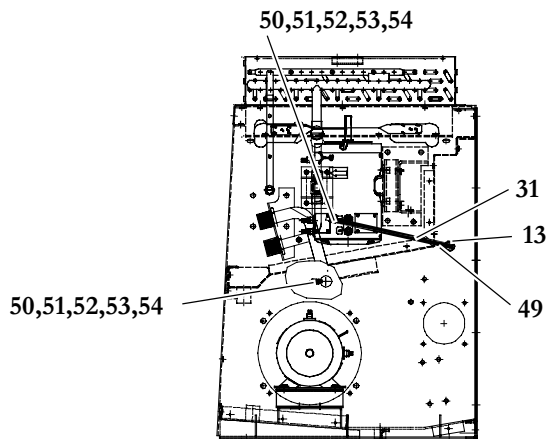
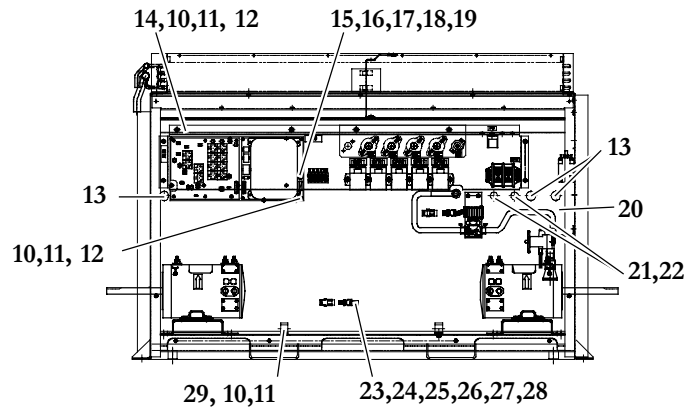
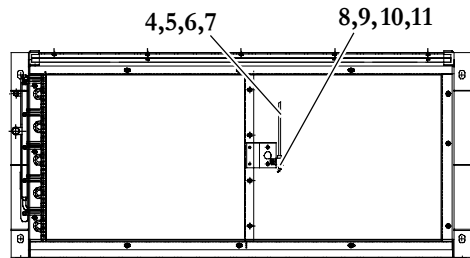
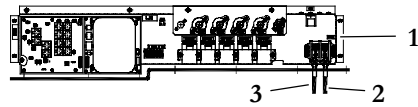


2.1 Electrical Components - Model 68RM55-100-17 (Continued)			
Item	Part Number	Description	Qty
14	34-00373-03	Clamp, Tube, 3/8 Inch OD, With Neoprene Cushion, SST	1
15	34-00655-06	Screw, Hex Head, 1/4-20 x 3/4 Inch Long, SST	1
16	34-00663-11	Washer, Split Lock, 1/4 Inch, SST	1
17	58-00858-00	Tubing, Split, Corrugated, 1/4 Inch ID x 25 Feet Long	1
18	22-01565-01	Plug, Terminal Cavity	15
19	22-01585-02	Connector, Male, 2 Pin, Gray (to UV1 or UV2)	2
20	12-00352-00	Transducer, Pressure, Suction/Discharge	2
21	22-02448-00SV	Connector Package, Female - Includes:	2
22	NSS	Connector, Female, Black, 3 Pin	1
23	22-50078-76B	Terminal, Female (16-18 AWG)	3
24	22-50100-00	Terminal, Contact, Female	6
25	66U1-5371-10	Screw, Cap, Hex Head Slotted, #10-24 x 1.00 Inch Long, SST	2
26	34-00662-09	Washer, Plain, #10, .032 Thick, SST	2
27	34-00663-09	Washer, Split Lock, #10, SST	2
28	68RM35-267	Thermistor Assembly - Includes:	1
29	12-00495-02SV	Thermistor Kit, (Replacement For 12-00305-04)	1
30	22-02394-00	Seal, Cable	2
31	22-02393-01	Terminal, Male (18-20 AWG)	2
32	58-00065-49	Grommet, 0.38 ID x 0.56 Hole, 0.12 Inch Groove	2
33	22-01585-00SV	Connector Assembly, Male, 2 Pin, Black (to HPS)	3
34	22-02392-01	Connector, 2 Pin, Medium Gray (to CL)	1
35	22-02392-00SV	Connector Kit, 2 Pin (to LPS) - Includes:	4
36	NSS	Connector, 2 Pin, Black	1
37	22-02393-00	Terminal, Male (14-16 AWG)	2
38	22-02394-01	Seal, Cable	2
39	22-02393-01	Terminal, Male (18-20 AWG)	2
40	AC201-208	Terminal, Ring, 5/16	4
41	AC201-244	Butt Connector, Crimp & Seal, 14-16 AWG	4
42	AC202-209	Tubing, Heat Shrink, 3/16 With Adhesive	1
43	66U1-3882	Wire Tie, Self-Locking, 7.00 Inches, Black	45
44	22-02302-02	Connector, Liquid Tight, Straight, 1/2 Inch	3
45	AC202-418	Connector, Liquid Tight, Straight (.230 - .546)	2
46	22-02302-03	Connector, Liquid Tight, Straight, 3/4 Inch	1
47	34-01268-01	Washer, Sealing, 1/2 Inch, Black	2
48	AC701-201	Clamp, Tube, Insulated, 5/8 Inch	6
49	AC701-221	Clamp, Loom, Insulated, 3/4 Inch	2
50	AC801-607	Grommet, 0.75 ID x 1.06 Hole, 0.12 Inch Groove	2
51	AC202-210	Tubing, Flexible, 1/2 Inch, Closed (25 Feet)	1
52	AC202-215	Tubing, Flexible, 3/4 Inch, Closed (25 Feet)	1
53	58-00848-33	Tubing, Split, Corrugated, 1/2 Inch ID x 90.00 Inches Long	1
54	58-00850-00	Tubing, Split, Corrugated, 0.92 Inch ID x 75 Feet Long	1



2.2 Electrical Components - Model 68RM55-100-22

Kit 68RM55-108-19



Item	Part Number	Description	Qty
1	68RM55-131-16	Panel Assembly, Electrical (See Section 3.2)	1
2	68RM55-210-13	Cable Assembly, Battery, Red x 26.50 Inches Long	1
3	68RM55-209-12	Cable Assembly, Battery, Black x 26.50 Inches Long	1
4	68RM35-267	Thermistor Assembly - Includes:	1
5	12-00495-02SV	Thermistor Kit, (Replacement For 12-00305-04)	1
6	22-02394-00	Seal, Cable	2
7	22-02393-01	Terminal, Male (18-20 AWG)	2
8	34-00373-03	Clamp, Tube, 3/8 Inch OD, With Neoprene Cushion, SST	1
9	66U1-3882	Wire Tie, Self-Locking, 7.00 Inches, Black	2
10	34-00655-06	Screw, Hex Head, 1/4-20 x 3/4 Inch Long, SST	15
11	34-00663-11	Washer, Split Lock, 1/4 Inch, SST	18
12	34-06212-12	Washer, Plain, 1/4 Inch, Type A, SST	12
13	22-02302-03	Connector, Liquid Tight, Straight, 3/4 Inch	4
14	68-62320-00	Cover, Relay Board, Painted	1

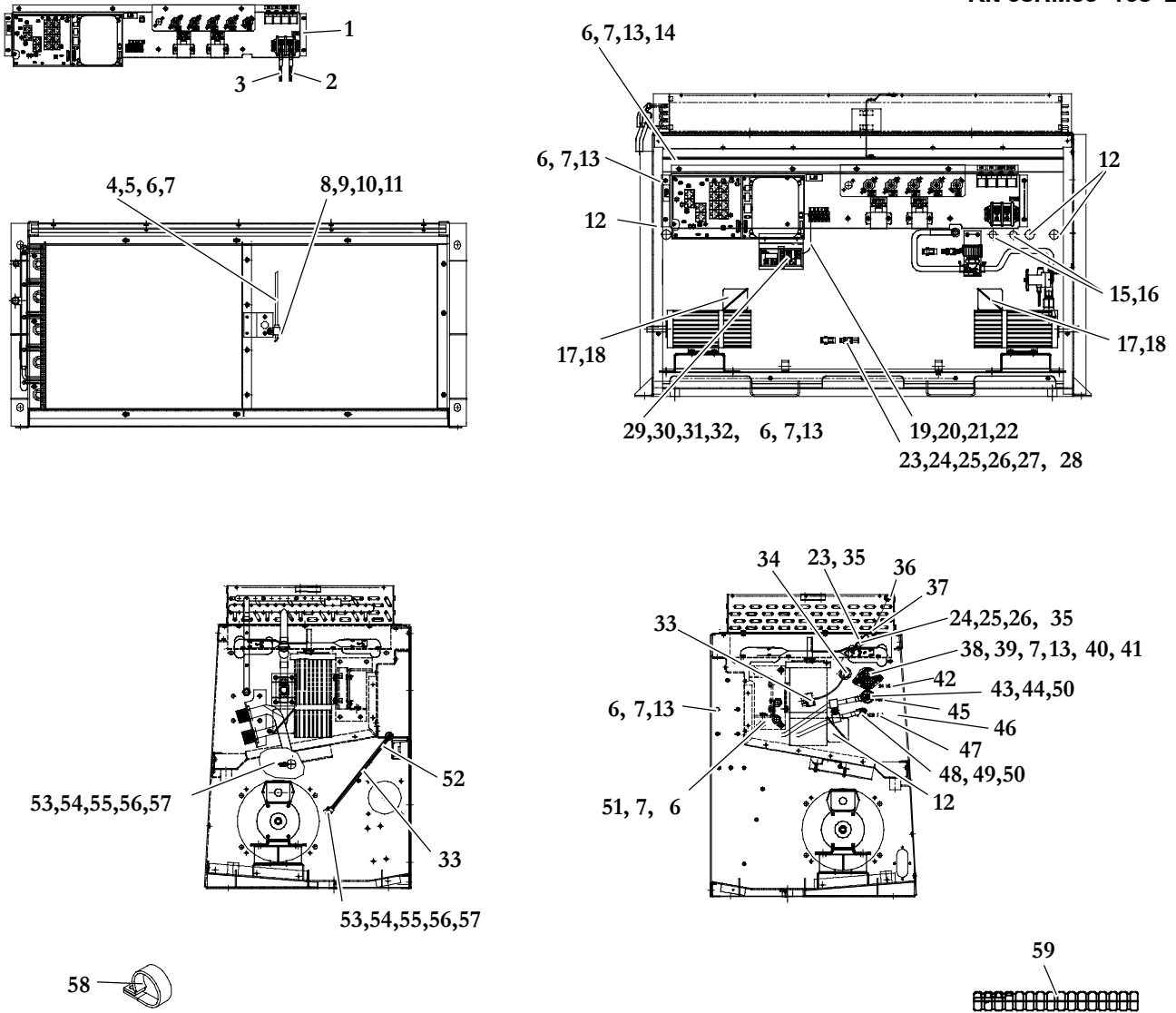


2.2 Electrical Components - Model 68RM55-100-22 (Continued)			
Item	Part Number	Description	Qty
15	22-62089-00	Wire Harness, Remote NFI, 61.00 Inches Long - Includes:	1
16	22-50145-00	Connector, Plug, 4 Pin	1
17	22-50152-00	Terminal, Female Receptacle (16-26 AWG)	4
18	22-02394-02	Seal, Cable, Green (.06 - .08 Cable OD)	4
19	22-01566-01	Terminal, Female (18-20 AWG)	4
20	58-00065-87	Grommet, 1.12 ID x 1.44 Hole, 0.156 Inch Groove	1
21	AC202-418	Connector, Liquid Tight, Straight (.230 - .546)	2
22	34-01268-01	Washer, Sealing, 1/2 Inch, Black	2
23	22-01585-00SV	Connector Assembly, Male, 2 Pin, Black	2
24	22-02392-00SV	Connector Kit, 2 Pin - Includes:	2
25	NSS	Connector, 2 Pin, Black	1
26	22-02393-00	Terminal, Male (14-16 AWG)	2
27	22-02394-01	Seal, Cable	2
28	22-02393-01	Terminal, Male (18-20 AWG)	2
29	34-00373-13	Clamp, Tube, 1.00 Inch OD, With Neoprene Cushion, SST	2
30	22-01585-04	Connector, Male, 4 Pin, Black	1
31	58-00848-33	Tubing, Split, Corrugated, 1/2 Inch ID x 90.00 Inches Long	1
32	58-00065-85	Grommet, 0.88 ID x 1.12 Hole, 0.090 Inch Groove	1
33	58-00858-00	Tubing, Split, Corrugated, 1/4 Inch ID x 25 Feet Long	1
34	58-00065-49	Grommet, 0.38 ID x 0.56 Hole, 0.12 Inch Groove	1
35	34-00373-07	Clamp, Tube, 5/8 Inch OD, With Neoprene Cushion, SST	4
36	22-01565-00	Connector, Male, 22 Pin	1
37	22-50078-09A	Lock, Secondary	2
38	34-00666-11	Nut, Hex, 1/4-20 Inch, SST	2
39	22-01565-01	Plug, Terminal Cavity	5
40	62-62041-06	Label, 24 VOLT	1
41	10-00315-00	Stud, Battery Connection, 3/8-16 x 2.07 Inches Long, Brass	1
42	34-62001-00	Washer, Nylon, Red	1
43	62-62041-04	Label, POS +	1
44	34-06095-01	Stud, Battery Connection, 3/8-16 x 2.25 Inches Long, Brass	1
45	34-00938-13	Washer, Lock, Internal Tooth, 3/8, Silicone Bronze	4
46	34-00879-03	Nut, Hex, Jam, 3/8-16, Brass	4
47	62-62041-05	Label, NEG -	1
48	44-00102-51	Clamp, Tube, 1/2 Inch OD, With Neoprene Cushion, SST	1
49	AC202-215	Tubing, Flexible, 3/4 Inch, Closed (25 Feet)	1
50	12-00352-00	Transducer, Pressure, Suction/Discharge	2
51	22-02448-00SV	Connector Package, Female - Includes:	2
52	NSS	Connector, Female, Black, 3 Pin	1
53	22-50078-76B	Terminal, Female (16-18 AWG)	3
54	22-50100-00	Terminal, Contact, Female	6
55	58-00850-00	Tubing, Split, Corrugated, 0.92 Inch ID x 75 Feet Long	1
56	62-62041-22	Label, ESR	1



2.3 Electrical Components - Models 68RM55-100-23, -25

Kit 68RM55-108-20



Item	Part Number	Description	Qty
1	68RM55-131-17	Panel Assembly, Electrical (See Section 3.3)	1
2	68RM55-209-12	Cable Assembly, Battery, Black x 26.50 Inches Long	1
3	68RM55-210-13	Cable Assembly, Battery, Red x 26.50 Inches Long	1
4	34-00373-03	Clamp, Tube, 3/8 Inch OD, With Neoprene Cushion, SST	1
5	66U1-3882	Wire Tie, Self-Locking, 7.00 Inches, Black	2
6	34-00655-06	Screw, Hex Head, 1/4-20 x 3/4 Inch Long, SST	18
7	34-00663-11	Washer, Split Lock, 1/4 Inch, SST	20
8	68RM35-267	Thermistor Assembly - Includes:	1
9	12-00495-02SV	Thermistor Kit, (Replacement For 12-00305-04)	1
10	22-02394-00	Seal, Cable	2
11	22-02393-01	Terminal, Male (18-20 AWG)	2
12	22-02302-03	Connector, Liquid Tight, Straight, 3/4 Inch	4
13	34-06212-12	Washer, Plain, 1/4 Inch, Type A, SST	15
14	68-62320-00	Cover, Relay Board, Painted	1

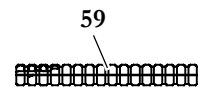
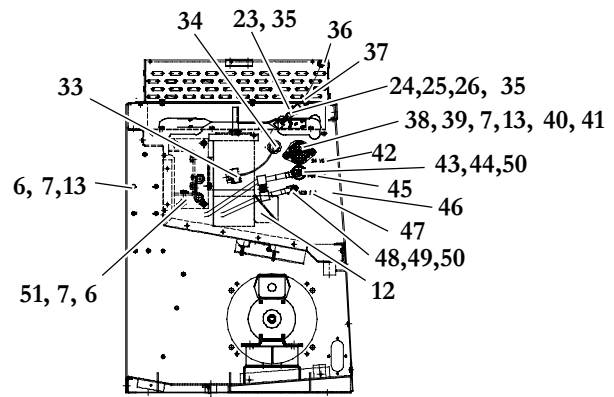
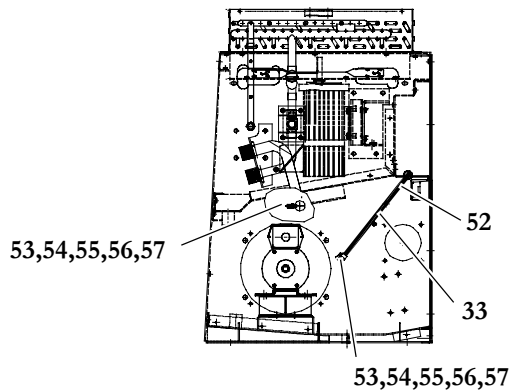
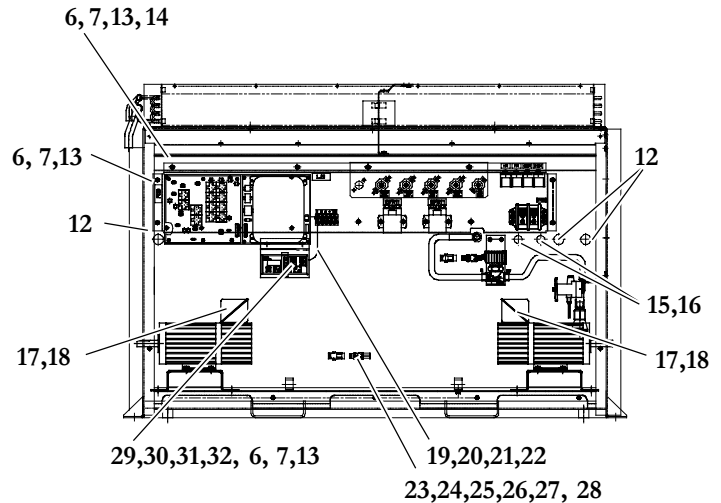
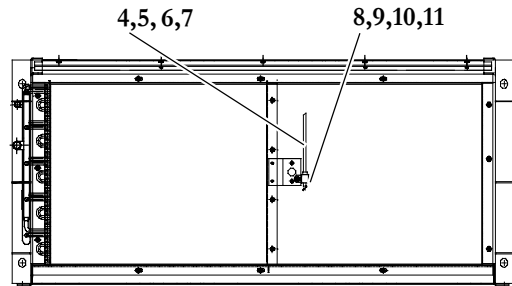
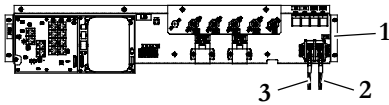


2.3 Electrical Components - Models 68RM55-100-23, -25 (Continued)			
Item	Part Number	Description	Qty
15	AC202-418	Connector, Liquid Tight, Straight (.230 - .546)	2
16	34-01268-01	Washer, Sealing, 1/2 Inch, Black	2
17	AC701-237	Connector, 1/2 Inch Romax	2
18	AC301-204	Hose, Valve, Kazoo, 1 Inch x 3 Inches	1
19	22-62063-00	Harness, A/C Control, 17.00 Inches Long - Includes:	1
20	22-62026-00	Connector, Plug, 6 Position	1
21	22-50145-00	Connector, Plug, 4 Position	1
22	22-50152-00	Terminal, Female Receptacle (16-26 AWG)	8
23	22-01585-00SV	Connector Assembly, Male, 2 Pin, Black	2
24	22-02392-00SV	Connector Kit, 2 Pin - Includes:	2
25	NSS	Connector, 2 Pin, Black	1
26	22-02393-00	Terminal, Male (14-16 AWG)	2
27	22-02394-01	Seal, Cable	2
28	22-02393-01	Terminal, Male (18-20 AWG)	2
29	12-00391-03	Module, Drivers Display (Micromate Control Panel)	1
30	68-62125-00	Clamp, Retaining, Temperature Module, Painted	1
31	68-62402-00	Bracket, Mounting, Drivers Display, Painted	1
32	34-00667-07	Nut, Hex, Self-Locking, #06-32, SST	1
33	58-00848-33	Tubing, Split, Corrugated, 1/2 Inch ID x 90.00 Inches Long	1
34	58-00065-85	Grommet, 0.88 ID x 1.12 Hole, 0.090 Inch Groove	1
35	58-00858-00	Tubing, Split, Corrugated, 1/4 Inch ID x 25 Feet Long	1
36	58-00065-49	Grommet, 0.38 ID x 0.56 Hole, 0.12 Inch Groove	1
37	34-00373-07	Clamp, Tube, 5/8 Inch OD, With Neoprene Cushion, SST	1
38	22-01565-00	Connector, Male, 22 Pin	1
39	22-50078-09A	Lock, Secondary	2
40	34-00666-11	Nut, Hex, 1/4-20 Inch, SST	2
41	22-01565-01	Plug, Terminal Cavity	5
42	62-62041-06	Label, 24 VOLT	1
43	10-00315-00	Stud, Battery Connection, 3/8-16 x 2.07 Inches Long, Brass	1
44	34-62001-00	Washer, Nylon, Red	1
45	62-62041-04	Label, POS +	1
46	58-00065-87	Grommet, 1.12 ID x 1.44 Hole, 0.156 Inch Groove	1
47	62-62041-05	Label, NEG -	1
48	34-06095-01	Stud, Battery Connection, 3/8-16 x 2.25 Inches Long, Brass	1
49	34-00938-13	Washer, Lock, Internal Tooth, 3/8, Silicone Bronze	4
50	34-00879-03	Nut, Hex, Jam, 3/8-16, Brass	4
51	34-00373-07	Clamp, Tube, 5/8 Inch OD, With Neoprene Cushion, SST	4



2.3 Electrical Components - Models 68RM55-100-23, -25 (Continued)

Kit 68RM55-108-20

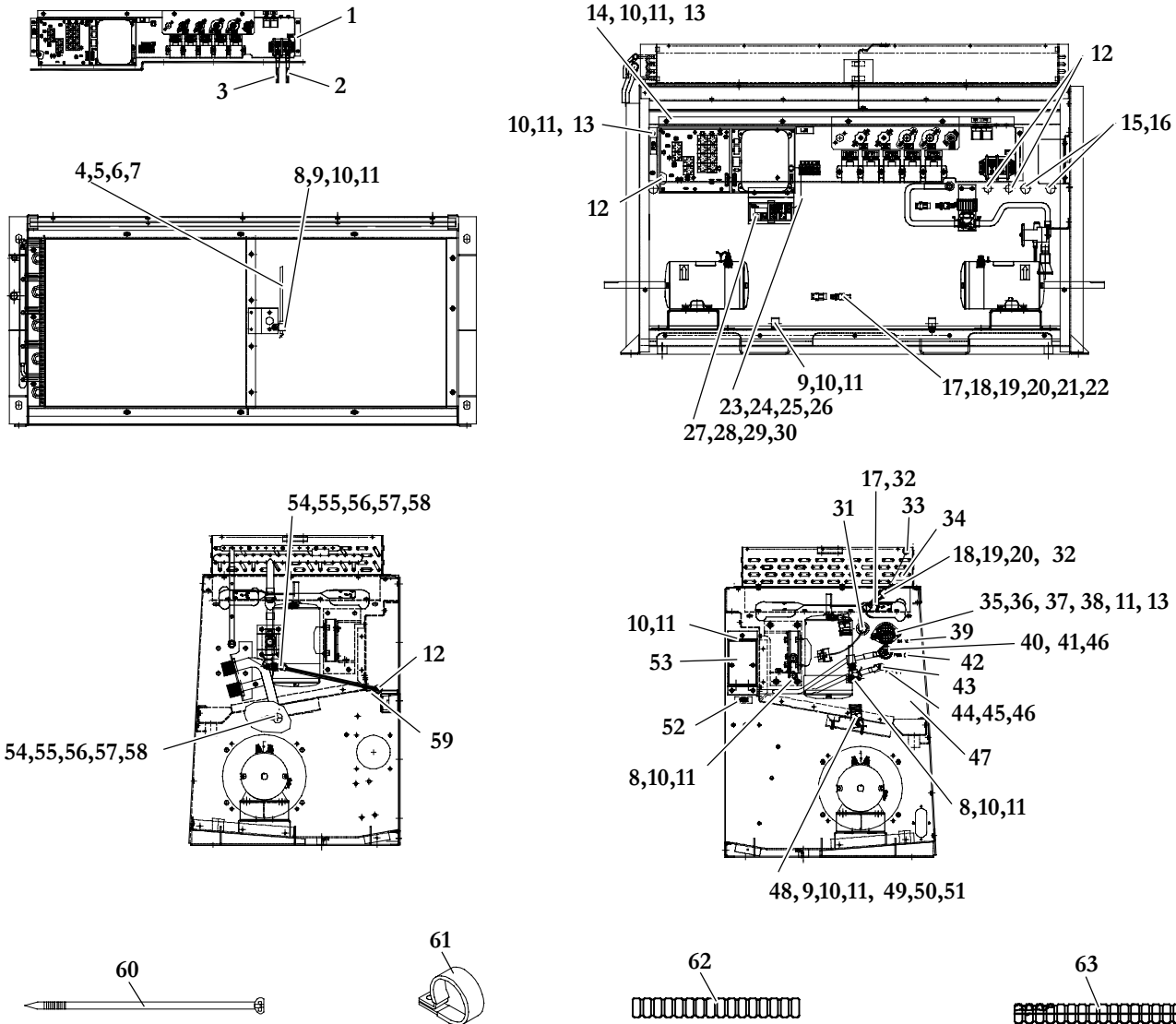


Item	Part Number	Description	Qty
52	AC202-215	Tubing, Flexible, 3/4 Inch, Closed (25 Feet)	1
53	12-00352-00	Transducer, Pressure, Suction/Discharge	2
54	22-02448-00SV	Connector Package, Female - Includes:	2
55	NSS	Connector, Female, Black, 3 Pin	1
56	22-50078-76B	Terminal, Female (16-18 AWG)	3
57	22-50100-00	Terminal, Contact, Female	6
58	34-00373-13	Clamp, Tube, 1.00 Inch OD, With Neoprene Cushion, SST	2
59	58-00850-00	Tubing, Split, Corrugated, 0.92 Inch ID x 75 Feet Long	1



2.4 Electrical Components - Model 68RM55-100-24

Kit 68RM55-108-22

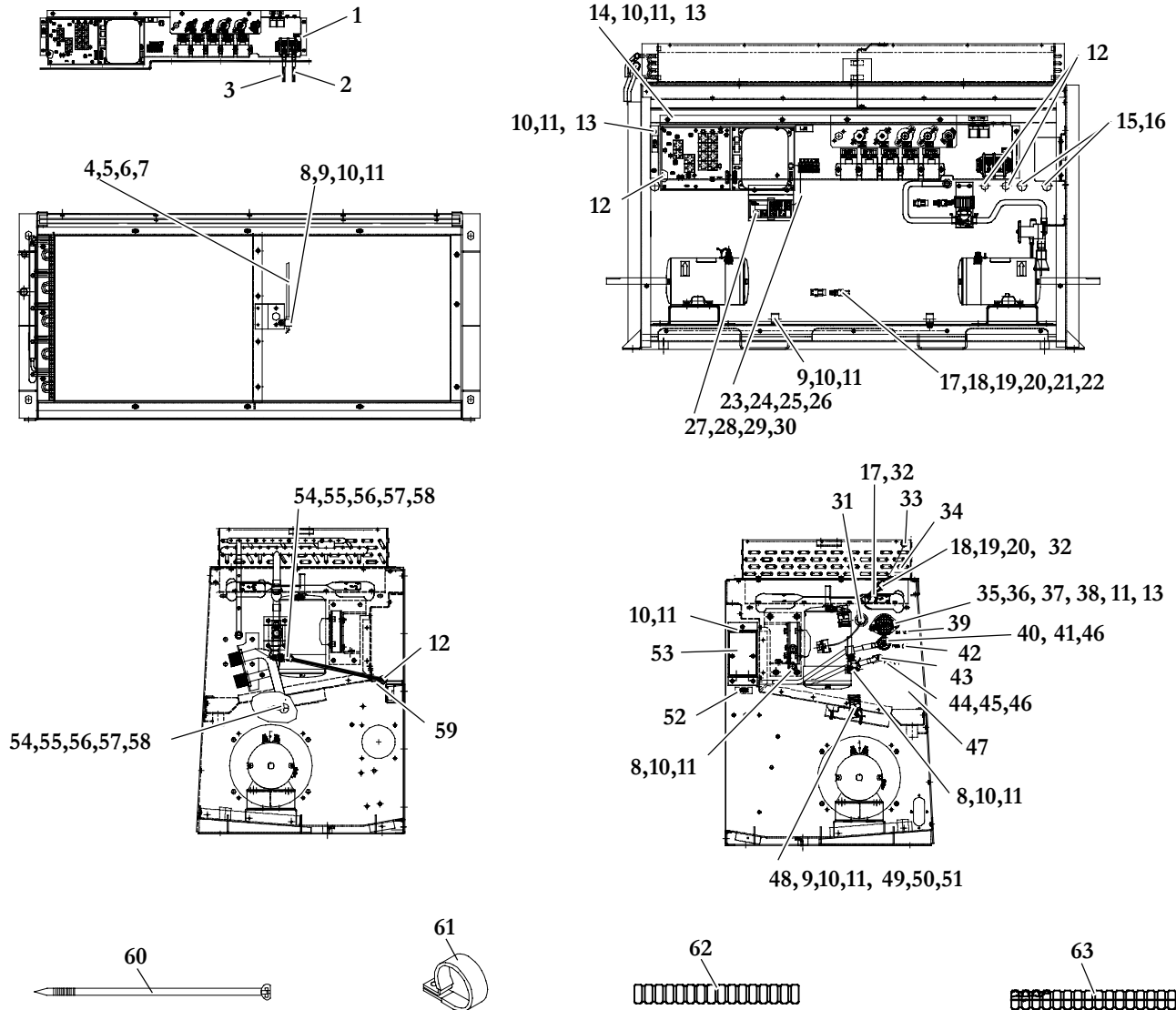


Item	Part Number	Description	Qty
1	68RM55-131-19	Panel Assembly, Electrical (See Section 3.6)	1
2	68RM55-209-12	Cable Assembly, Battery, Black x 26.50 Inches Long	1
3	68RM55-210-13	Cable Assembly, Battery, Red x 26.50 Inches Long	1
4	68RM35-267	Thermistor Assembly - Includes:	1
5	12-00495-02SV	Thermistor Kit, (Replacement For 12-00305-04)	1
6	22-02394-00	Seal, Cable	2
7	22-02393-01	Terminal, Male (18-20 AWG)	2
8	34-00373-07	Clamp, Tube, 5/8 Inch OD, With Neoprene Cushion, SST	4
9	34-00373-13	Clamp, Tube, 1.00 Inch OD, With Neoprene Cushion, SST	2
10	34-00655-06	Screw, Hex Head, 1/4-20 x 3/4 Inch Long, SST	18
11	34-00663-11	Washer, Split Lock, 1/4 Inch, SST	20
12	22-02302-03	Connector, Liquid Tight, Straight, 3/4 Inch	4
13	34-06212-12	Washer, Plain, 1/4 Inch, Type A, SST	12
14	68-62320-00	Cover, Relay Board, Painted	1



2.4 Electrical Components - Model 68RM55-100-24 (Continued)

Kit 68RM55-108-22



Item	Part Number	Description	Qty
15	AC202-418	Connector, Liquid Tight, Straight (.230 - .546)	2
16	34-01268-01	Washer, Sealing, 1/2 Inch, Black	2
17	22-01585-00SV	Connector Assembly, Male, 2 Pin, Black	2
18	22-02392-00SV	Connector Kit, 2 Pin - Includes:	2
19	NSS	Connector, 2 Pin, Black	1
20	22-02393-00	Terminal, Male (14-16 AWG)	2
21	22-02394-01	Seal, Cable	2
22	22-02393-01	Terminal, Male (18-20 AWG)	2

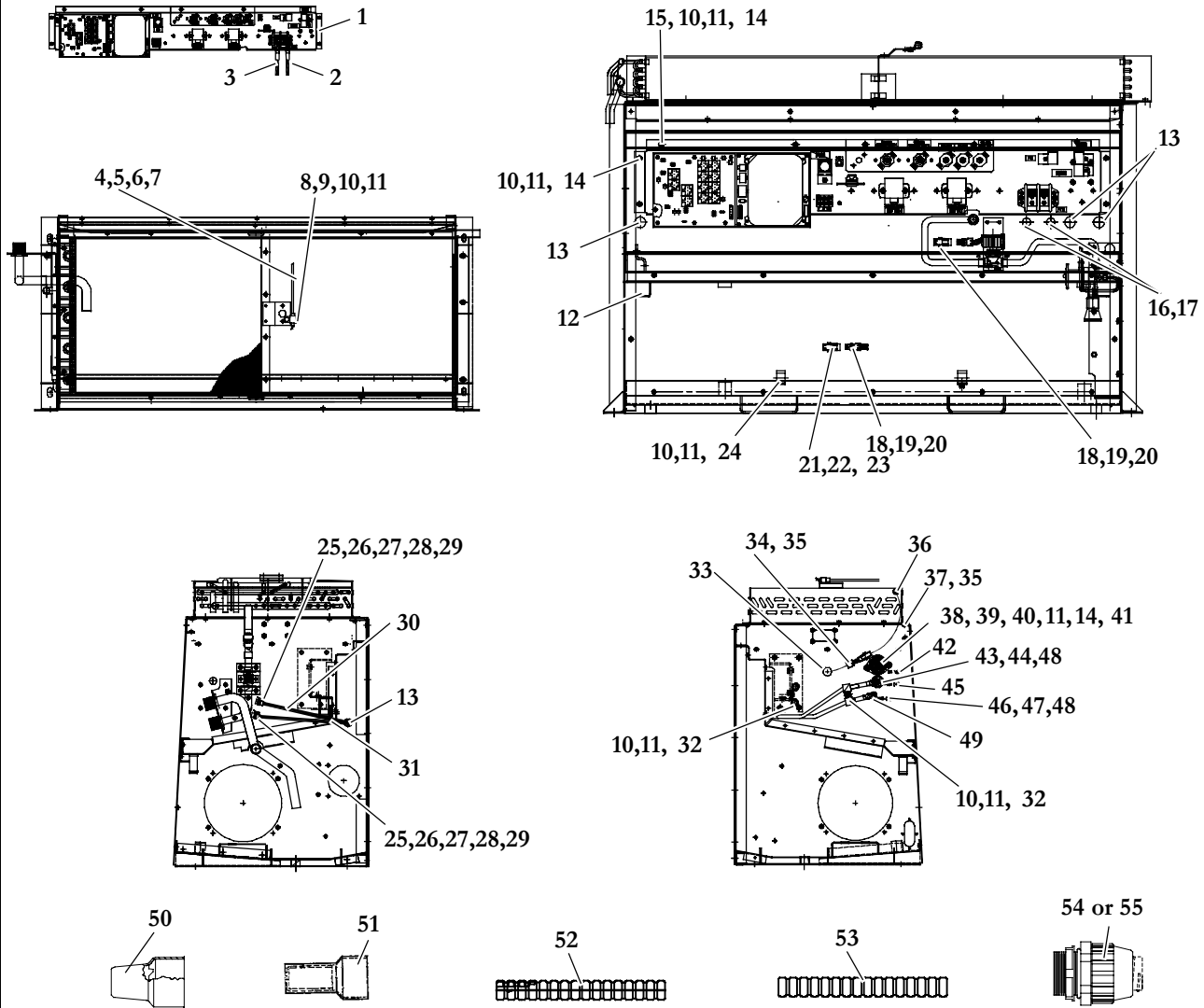


2.4 Electrical Components - Model 68RM55-100-24 (Continued)			
Item	Part Number	Description	Qty
23	22-62063-00	Harness, A/C Control, 17.00 Inches Long - Includes:	1
24	22-62026-00	Connector, Plug, 6 Position	1
25	22-50145-00	Connector, Plug, 4 Position	1
26	22-50152-00	Terminal, Female Receptacle (16-26 AWG)	8
27	12-00391-03	Module, Drivers Display (Micromate Control Panel)	1
28	68-62125-00	Clamp, Retaining, Temperature Module, Painted	1
29	68-62402-00	Bracket, Mounting, Drivers Display, Painted	1
30	34-00667-07	Nut, Hex, Self-Locking, #06-32, SST	1
31	58-00065-85	Grommet, 0.88 ID x 1.12 Hole, 0.090 Inch Groove	1
32	58-00858-00	Tubing, Split, Corrugated, 1/4 Inch ID x 25 Feet Long	1
33	58-00065-49	Grommet, 0.38 ID x 0.56 Hole, 0.12 Inch Groove	1
34	34-00373-07	Clamp, Tube, 5/8 Inch OD, With Neoprene Cushion, SST	1
35	22-01565-00	Connector, Male, 22 Pin	1
36	22-01565-01	Plug, Terminal Cavity	5
37	22-50078-09A	Lock, Secondary	2
38	34-00666-11	Nut, Hex, 1/4-20 Inch, SST	2
39	62-62041-06	Label, 24 VOLT	1
40	10-00315-00	Stud, Battery Connection, 3/8-16 x 2.07 Inches Long, Brass	1
41	34-62001-00	Washer, Nylon, Red	1
42	62-62041-04	Label, POS +	1
43	62-62041-05	Label, NEG -	1
44	34-06095-01	Stud, Battery Connection, 3/8-16 x 2.25 Inches Long, Brass	1
45	34-00938-13	Washer, Lock, Internal Tooth, 3/8, Silicone Bronze	4
46	34-00879-03	Nut, Hex, Jam, 3/8-16, Brass	4
47	58-00065-87	Grommet, 1.12 ID x 1.44 Hole, 0.156 Inch Groove	1
48	22-01584-00	Resistor, 420 Watts, With Mounting Brackets	1
49	34-06179-01	Screw, Cap, Hex Head Slotted, SEMS, #10-24 x 1/2 Inch Long, SST	2
50	34-00667-09	Nut, Hex, Self-Locking #10-24, SST	2
51	22-00872-01	Terminal, Ring, #10	2
52	62-62041-22	Label, ESR	1
53	58-00065-27	Grommet, 0.62 ID x 0.88 Hole, 0.12 Inch Groove	2
54	12-00352-00	Transducer, Pressure, Suction/Discharge	2
55	22-02448-00SV	Connector Package, Female - Includes:	2
56	NSS	Connector, Female, Black, 3 Pin	1
57	22-50078-76B	Terminal, Female (16-18 AWG)	3
58	22-50100-00	Terminal, Contact, Female	6
59	AC202-215	Tubing, Flexible, 3/4 Inch, Closed (25 Feet)	1
60	66U1-3882	Wire Tie, Self-Locking, 7.00 Inches, Black	2
61	34-00373-03	Clamp, Tube, 3/8 Inch OD, With Neoprene Cushion, SST	1
62	AC202-210	Tubing, Flexible, 1/2 Inch, Closed (25 Feet)	1
63	58-00850-00	Tubing, Split, Corrugated, 0.92 Inch ID x 75 Feet Long	1



2.5 Electrical Components - Models 68RM55-101-3, -5

Kit 68RM55-108-17



Item	Part Number	Description	Qty
1	68RM55-131-14	Panel Assembly, Electrical (See Section 3.4)	1
2	68RM55-209-12	Cable Assembly, Battery, Black x 26.50 Inches Long	1
3	68RM55-210-13	Cable Assembly, Battery, Red x 26.50 Inches Long	1
4	68RM35-267	Thermistor Assembly - Includes:	1
5	12-00495-02SV	Thermistor Kit, (Replacement For 12-00305-04)	1
6	22-02394-00	Seal, Cable	2
7	22-02393-01	Terminal, Male (18-20 AWG)	2
8	34-00373-03	Clamp, Tube, 3/8 Inch OD, With Neoprene Cushion, SST	1
9	66U1-3882	Wire Tie, Self-Locking, 7.00 Inches, Black	2
10	34-00655-06	Screw, Hex Head, 1/4-20 x 3/4 Inch Long, SST	11
11	34-00663-11	Washer, Split Lock, 1/4 Inch, SST	13
12	58-00065-87	Grommet, 1.12 ID x 1.44 Hole, 0.156 Inch Groove	1
13	22-02302-03	Connector, Liquid Tight, Straight, 3/4 Inch	4
14	34-06212-12	Washer, Plain, 1/4 Inch, Type A, SST	8

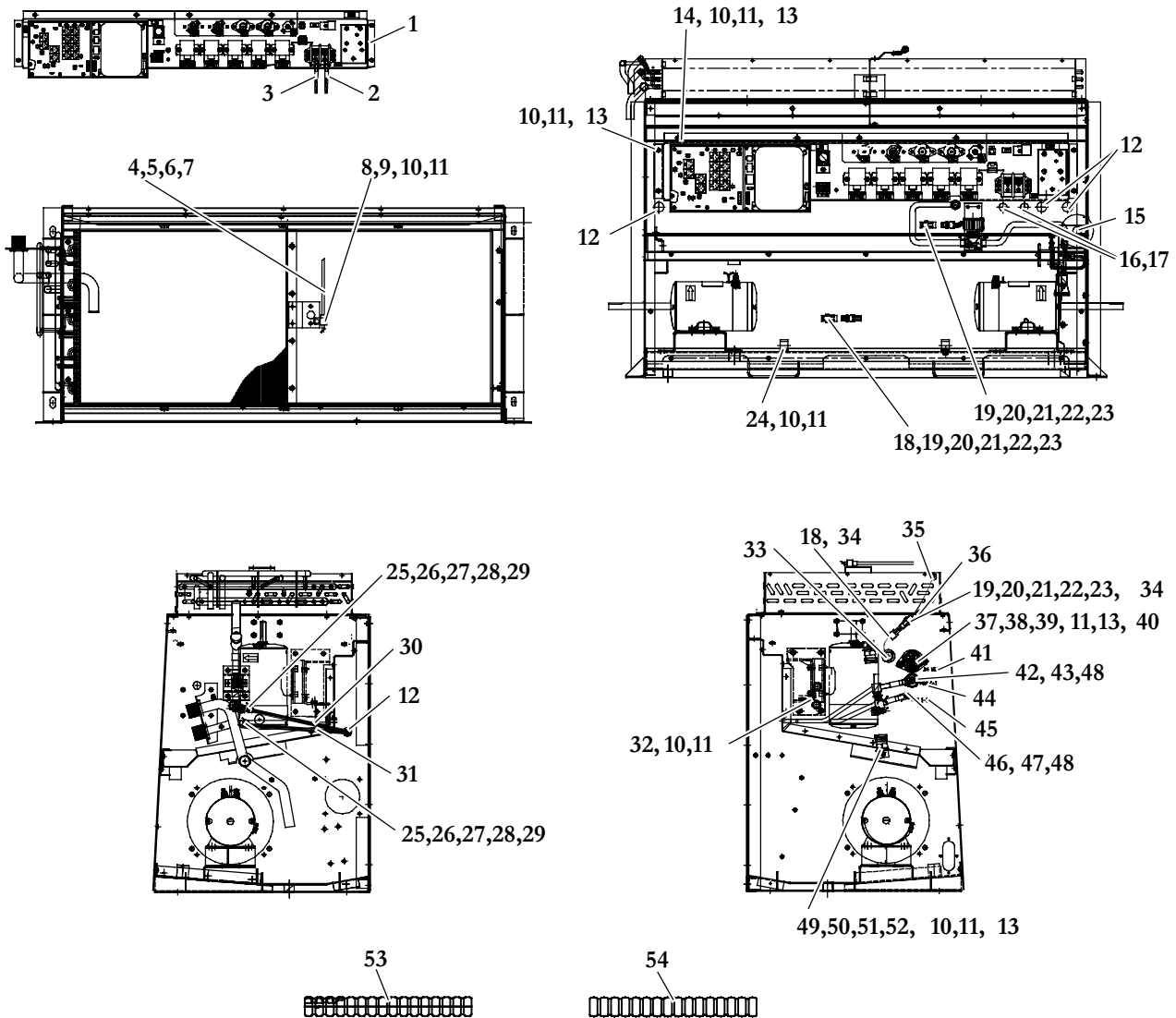


2.5 Electrical Components - Models 68RM55-101-3, -5 (Continued)			
Item	Part Number	Description	Qty
15	68-62320-00	Cover, Relay Board, Painted	1
16	AC202-418	Connector, Liquid Tight, Straight (.230 - .546)	2
17	34-01268-01	Washer, Sealing, 1/2 Inch, Black	2
18	22-02392-00SV	Connector Kit, 2 Pin - Includes:	2
19	NSS	Connector, 2 Pin, Black	1
20	22-02393-00	Terminal, Male (14-16 AWG)	2
21	22-01585-00SV	Connector Assembly, Male, 2 Pin, Black	2
22	22-02394-01	Seal, Cable	2
23	22-02393-01	Terminal, Male (18-20 AWG)	2
24	34-00373-13	Clamp, Tube, 1.00 Inch OD, With Neoprene Cushion, SST	2
25	12-00352-00	Transducer, Pressure, Suction/Discharge	2
26	22-02448-00SV	Connector Package, Female - Includes:	2
27	NSS	Connector, Female, Black, 3 Pin	1
28	22-50078-76B	Terminal, Female (16-18 AWG)	3
29	22-50100-00	Terminal, Contact, Female	6
30	58-00848-33	Tubing, Split, Corrugated, 1/2 Inch ID x 90.00 Inches Long	1
31	AC202-215	Tubing, Flexible, 3/4 Inch, Closed (25 Feet)	1
32	34-00373-07	Clamp, Tube, 5/8 Inch OD, With Neoprene Cushion, SST	4
33	58-00065-85	Grommet, 0.88 ID x 1.12 Hole, 0.090 Inch Groove	1
34	22-01585-00SV	Connector Assembly, Male, 2 Pin, Black	1
35	58-00858-00	Tubing, Split, Corrugated, 1/4 Inch ID x 25 Feet Long	1
36	58-00065-49	Grommet, 0.38 ID x 0.56 Hole, 0.12 Inch Groove	1
37	22-02393-00	Terminal, Male (14-16 AWG)	1
38	22-01565-00	Connector, Male, 22 Pin	1
39	22-50078-09A	Lock, Secondary	2
40	22-01565-01	Plug, Terminal Cavity	5
41	34-00666-11	Nut, Hex, 1/4-20 Inch, SST	2
42	62-62041-06	Label, 24 VOLT	1
43	10-00315-00	Stud, Battery Connection, 3/8-16 x 2.07 Inches Long, Brass	1
44	34-62001-00	Washer, Nylon, Red	1
45	62-62041-04	Label, POS +	1
46	34-06095-01	Stud, Battery Connection, 3/8-16 x 2.25 Inches Long, Brass	1
47	34-00938-13	Washer, Lock, Internal Tooth, 3/8, Silicone Bronze	4
48	34-00879-03	Nut, Hex, Jam, 3/8-16, Brass	4
49	62-62041-05	Label, NEG -	1
50	22-02126-03	Cap, Insulator, Electrical	8
51	AC201-217	Terminal, Connector, Closed End	8
52	58-00850-00	Tubing, Split, Corrugated, 0.92 Inch ID x 75 Feet Long	1
53	AC202-210	Tubing, Flexible, 1/2 Inch, Closed (25 Feet)	1
54	22-02302-02	Connector, Liquid Tight, Straight, 1/2 Inch	2
55	AC701-237	Connector, Romex, 1/2 Inch	2



2.6 Electrical Components - Model 68RM55-101-4

Kit 68RM55-108-18



Item	Part Number	Description	Qty
1	68RM55-131-15	Panel Assembly, Electrical (See Section 3.5)	1
2	68RM55-209-12	Cable Assembly, Battery, Black x 26.50 Inches Long	1
3	68RM55-210-13	Cable Assembly, Battery, Red x 26.50 Inches Long	1
4	68RM35-267	Thermistor Assembly - Includes:	1
5	12-00495-02SV	Thermistor Kit, (Replacement For 12-00305-04)	1
6	22-02394-00	Seal, Cable	2
7	22-02393-01	Terminal, Male (18-20 AWG)	2
8	34-00373-03	Clamp, Tube, 3/8 Inch OD, With Neoprene Cushion, SST	1
9	66U1-3882	Wire Tie, Self-Locking, 7.00 Inches, Black	2
10	34-00655-06	Screw, Hex Head, 1/4-20 x 3/4 Inch Long, SST	13
11	34-00663-11	Washer, Split Lock, 1/4 Inch, SST	15
12	22-02302-03	Connector, Liquid Tight, Straight, 3/4 Inch	4
13	34-06212-12	Washer, Plain, 1/4 Inch, Type A, SST	10
14	68-62320-00	Cover, Relay Board, Painted	1

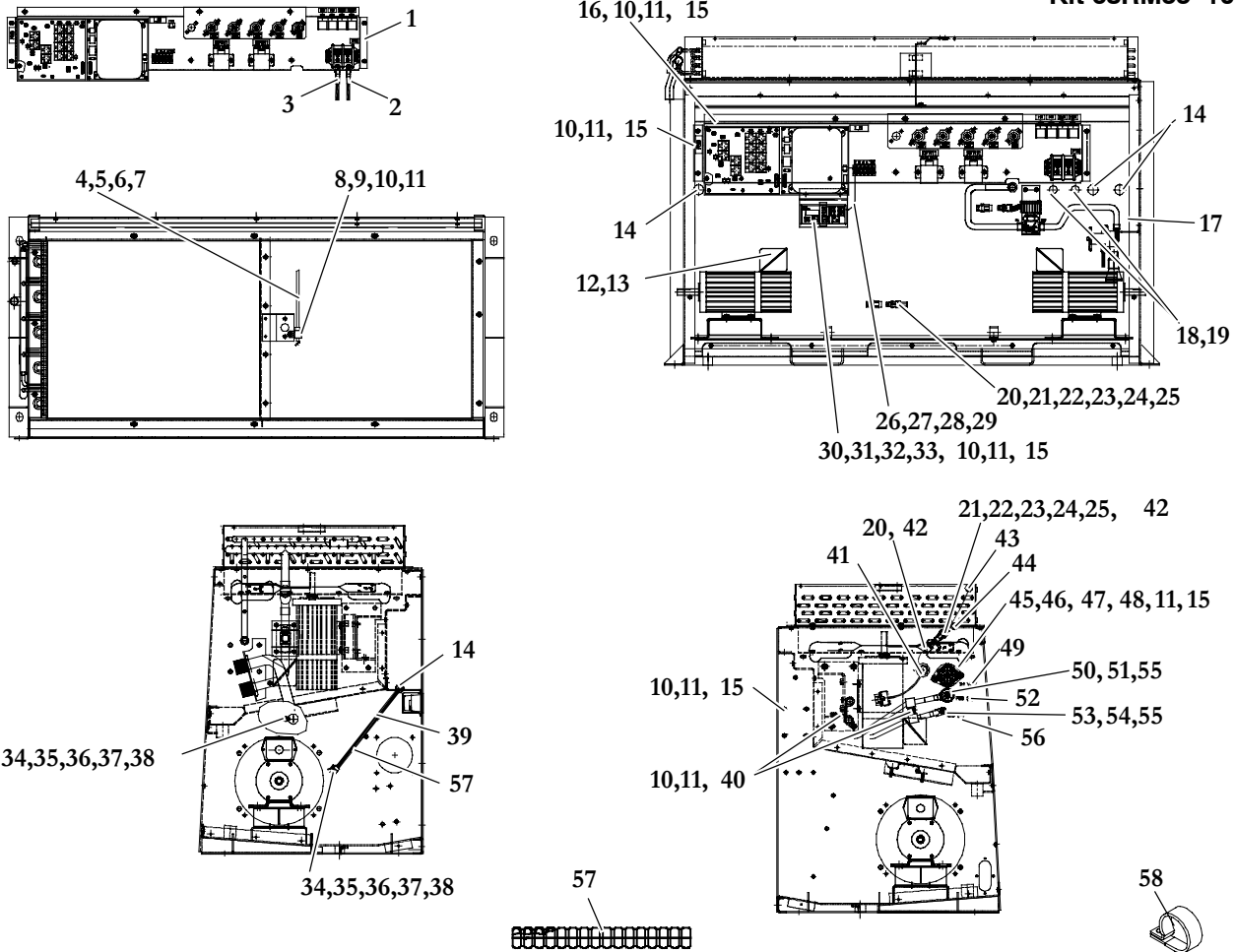


2.6 Electrical Components - Model 68RM55-101-4 (Continued)			
Item	Part Number	Description	Qty
15	58-00065-87	Grommet, 1.12 ID x 1.44 Hole, 0.156 Inch Groove	1
16	AC202-418	Connector, Liquid Tight, Straight (.230 - .546)	2
17	34-01268-01	Washer, Sealing, 1/2 Inch, Black	2
18	22-01585-00SV	Connector Assembly, Male, 2 Pin, Black	2
19	22-02392-00SV	Connector Kit, 2 Pin - Includes:	2
20	NSS	Connector, 2 Pin, Black	1
21	22-02393-00	Terminal, Male (14-16 AWG)	2
22	22-02394-01	Seal, Cable	2
23	22-02393-01	Terminal, Male (18-20 AWG)	2
24	34-00373-13	Clamp, Tube, 1.00 Inch OD, With Neoprene Cushion, SST	2
25	12-00352-00	Transducer, Pressure, Suction/Discharge	2
26	22-02448-00SV	Connector Package, Female - Includes:	2
27	NSS	Connector, Female, Black, 3 Pin	1
28	22-50078-76B	Terminal, Female (16-18 AWG)	3
29	22-50100-00	Terminal, Contact, Female	6
30	58-00848-33	Tubing, Split, Corrugated, 1/2 Inch ID x 90.00 Inches Long	1
31	AC202-215	Tubing, Flexible, 3/4 Inch, Closed (25 Feet)	1
32	34-00373-07	Clamp, Tube, 5/8 Inch OD, With Neoprene Cushion, SST	4
33	58-00065-85	Grommet, 0.88 ID x 1.12 Hole, 0.090 Inch Groove	1
34	58-00858-00	Tubing, Split, Corrugated, 1/4 Inch ID x 25 Feet Long	1
35	58-00065-49	Grommet, 0.38 ID x 0.56 Hole, 0.12 Inch Groove	1
36	44-00102-51	Clamp, Tube, 1/2 Inch OD, With Neoprene Cushion, SST	1
37	22-01565-00	Connector, Male, 22 Pin	1
38	22-01565-01	Plug, Terminal Cavity	5
39	22-50078-09A	Lock, Secondary	2
40	34-00666-11	Nut, Hex, 1/4-20 Inch, SST	2
41	62-62041-06	Label, 24 VOLT	1
42	10-00315-00	Stud, Battery Connection, 3/8-16 x 2.07 Inches Long, Brass	1
43	34-62001-00	Washer, Nylon, Red	1
44	62-62041-04	Label, POS +	1
45	62-62041-05	Label, NEG -	1
46	34-06095-01	Stud, Battery Connection, 3/8-16 x 2.25 Inches Long, Brass	1
47	34-00938-13	Washer, Lock, Internal Tooth, 3/8, Silicone Bronze	4
48	34-00879-03	Nut, Hex, Jam, 3/8-16, Brass	4
49	22-01584-00	Resistor, 420 Watts, With Mounting Brackets	1
50	34-06179-01	Screw, Cap, Hex Head Slotted, SEMS, #10-24 x 1/2 Inch Long, SST	2
51	34-00667-09	Nut, Hex, Self-Locking #10-24, SST	2
52	22-00872-01	Terminal, Ring, #10	2
53	58-00850-00	Tubing, Split, Corrugated, 0.92 Inch ID x 75 Feet Long	1
54	AC202-210	Tubing, Flexible, 1/2 Inch, Closed (25 Feet)	1



2.7 Electrical Components - Model 68RM55-101-6

Kit 68RM55-108-21



Item	Part Number	Description	Qty
1	68RM55-131-18	Panel Assembly, Electrical (See Section 3.3)	1
2	68RM55-209-12	Cable Assembly, Battery, Black x 26.50 Inches Long	1
3	68RM55-210-13	Cable Assembly, Battery, Red x 26.50 Inches Long	1
4	68RM35-267	Thermistor Assembly - Includes:	1
5	12-00495-02SV	Thermistor Kit, (Replacement For 12-00305-04)	1
6	22-02394-00	Seal, Cable	2
7	22-02393-01	Terminal, Male (18-20 AWG)	2
8	34-00373-03	Clamp, Tube, 3/8 Inch OD, With Neoprene Cushion, SST	1
9	66U1-3882	Wire Tie, Self-Locking, 7.00 Inches, Black	2
10	34-00655-06	Screw, Hex Head, 1/4-20 x 3/4 Inch Long, SST	18
11	34-00663-11	Washer, Split Lock, 1/4 Inch, SST	20
12	AC701-237	Connector, 1/2 Inch Romax	2
13	AC301-204	Hose, Valve, Kazoo, 1 Inch x 3 Inches	1
14	22-02302-03	Connector, Liquid Tight, Straight, 3/4 Inch	4
15	34-06212-12	Washer, Plain, 1/4 Inch, Type A, SST	15
16	68-62320-00	Cover, Relay Board, Painted	1

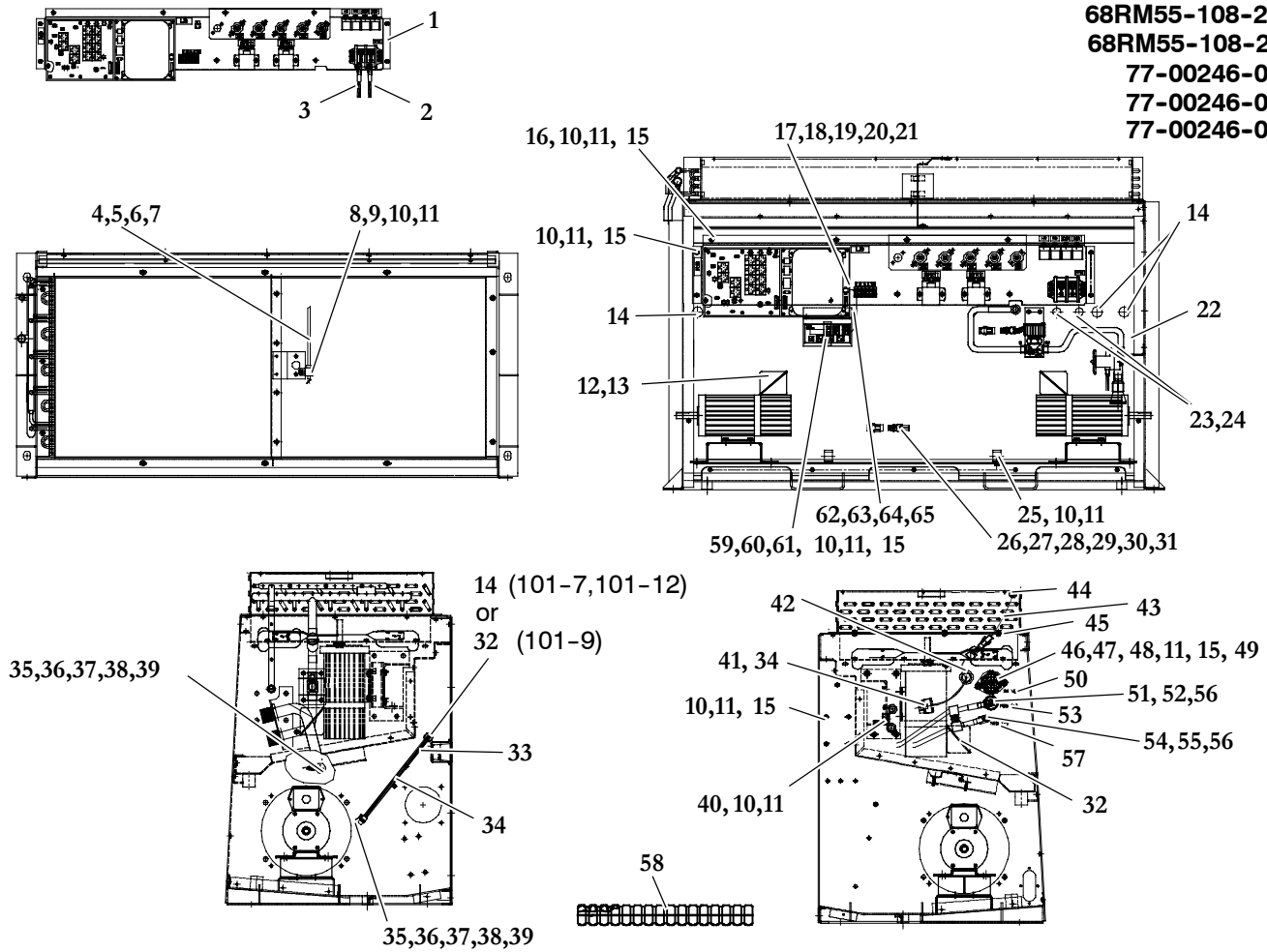


2.7 Electrical Components - Model 68RM55-101-6 (Continued)			
Item	Part Number	Description	Qty
17	58-00065-87	Grommet, 1.12 ID x 1.44 Hole, 0.156 Inch Groove	1
18	AC202-418	Connector, Liquid Tight, Straight (.230 - .546)	2
19	34-01268-01	Washer, Sealing, 1/2 Inch, Black	2
20	22-01585-00SV	Connector Assembly, Male, 2 Pin, Black	2
21	22-02392-00SV	Connector Kit, 2 Pin - Includes:	2
22	NSS	Connector, 2 Pin, Black	1
23	22-02393-00	Terminal, Male (14-16 AWG)	2
24	22-02394-01	Seal, Cable	2
25	22-02393-01	Terminal, Male (18-20 AWG)	2
26	22-62063-00	Harness, A/C Control, 17.00 Inches Long - Includes:	1
27	22-62026-00	Connector, Plug, 6 Position	1
28	22-50145-00	Connector, Plug, 4 Position	1
29	22-50152-00	Terminal, Female Receptacle (16-26 AWG)	8
30	12-00391-03	Module, Drivers Display (Micromate Control Panel)	1
31	68-62125-00	Clamp, Retaining, Temperature Module, Painted	1
32	68-62402-00	Bracket, Mounting, Drivers Display, Painted	1
33	34-00667-07	Nut, Hex, Self-Locking, #06-32, SST	1
34	12-00352-00	Transducer, Pressure, Suction/Discharge	2
35	22-02448-00SV	Connector Package, Female - Includes:	2
36	NSS	Connector, Female, Black, 3 Pin	1
37	22-50078-76B	Terminal, Female (16-18 AWG)	3
38	22-50100-00	Terminal, Contact, Female	6
39	AC202-215	Tubing, Flexible, 3/4 Inch, Closed (25 Feet)	1
40	34-00373-07	Clamp, Tube, 5/8 Inch OD, With Neoprene Cushion, SST	4
41	58-00065-85	Grommet, 0.88 ID x 1.12 Hole, 0.090 Inch Groove	1
42	58-00858-00	Tubing, Split, Corrugated, 1/4 Inch ID x 25 Feet Long	1
43	58-00065-49	Grommet, 0.38 ID x 0.56 Hole, 0.12 Inch Groove	1
44	34-00373-07	Clamp, Tube, 5/8 Inch OD, With Neoprene Cushion, SST	1
45	22-01565-00	Connector, Male, 22 Pin	1
46	22-01565-01	Plug, Terminal Cavity	5
47	22-50078-09A	Lock, Secondary	2
48	34-00666-11	Nut, Hex, 1/4-20 Inch, SST	2
49	62-62041-06	Label, 24 VOLT	1
50	10-00315-00	Stud, Battery Connection, 3/8-16 x 2.07 Inches Long, Brass	1
51	34-62001-00	Washer, Nylon, Red	1
52	62-62041-04	Label, POS +	1
53	34-06095-01	Stud, Battery Connection, 3/8-16 x 2.25 Inches Long, Brass	1
54	34-00938-13	Washer, Lock, Internal Tooth, 3/8, Silicone Bronze	4
55	34-00879-03	Nut, Hex, Jam, 3/8-16, Brass	4
56	62-62041-05	Label, NEG -	1
57	58-00850-00	Tubing, Split, Corrugated, 0.92 Inch ID x 75 Feet Long	1
58	34-00373-13	Clamp, Tube, 1.00 Inch OD, With Neoprene Cushion, SST	2



2.8 Electrical Components - Models 68RM55-101-7, -9, -12,-19, -20, -24

**Kits 68RM55-108-23
68RM55-108-25
68RM55-108-28
77-00246-03
77-00246-04
77-00246-07**



Item	Part Number	Description	Qty
1	68RM55-131-18	Panel Assembly, Electrical (Models 101-7, -9) (See Section 3.3)	1
	68RM55-131-21	Panel Assembly, Electrical (Model 101-12 Only) (See Section 3.7)	
	91-01166-02	Panel Assembly, Electrical (Model 101-19, -24 Only) (See Section 3.7)	
	91-01166-03	Panel Assembly, Electrical (Model 101-20 Only) (See Section 3.7)	
2	68RM55-209-12	Cable Assembly, Battery, Black x 26.50 Inches Long	1
3	68RM55-210-13	Cable Assembly, Battery, Red x 26.50 Inches Long	1
4	68RM35-267	Thermistor Assembly - Includes:	1
5	12-00495-02SV	Thermistor Kit, (Replacement For 12-00305-04)	1
6	22-02394-00	Seal, Cable	2
7	22-02393-01	Terminal, Male (18-20 AWG)	2
8	34-00373-03	Clamp, Tube, 3/8 Inch OD, With Neoprene Cushion, SST	1
9	66U1-3882	Wire Tie, Self-Locking, 7.00 Inches, Black	2
10	34-00655-06	Screw, Hex Head, 1/4-20 x 3/4 Inch Long, SST	A/R
11	34-00663-11	Washer, Split Lock, 1/4 Inch, SST	A/R
12	AC301-204	Hose, Valve, Kazoo, 1 Inch x 3 Inches	1
13	AC701-237	Connector, 1/2 Inch Romax	2
14	22-02302-03	Connector, Liquid Tight, Straight, 3/4 Inch	A/R

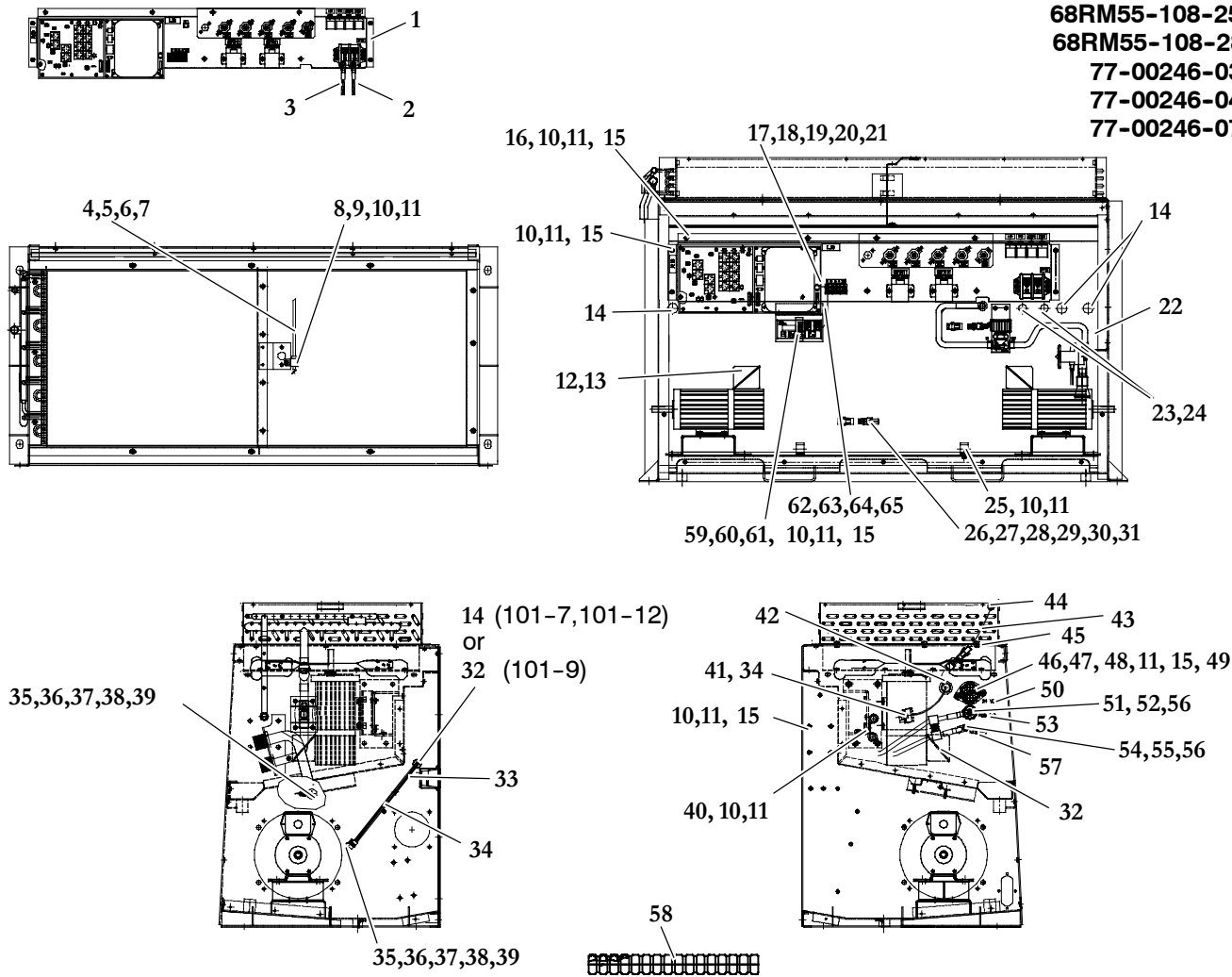


2.8 Electrical Components - Models 68RM55-101-7, -9, -12,-19, -20, -24 (Continued)			
Item	Part Number	Description	Qty
15	34-06212-12	Washer, Plain, 1/4 Inch, Type A, SST	A/R
16	68-62320-00	Cover, Relay Board, Painted	1
17	22-62089-00	Wire Harness, Remote NFI, 61.00 Inches Long (Model 101-9, -24 Only) - Includes:	1
18	22-50145-00	Connector, Plug, 4 Pin	1
19	22-50152-00	Terminal, Female Receptacle (16-26 AWG)	4
20	22-02394-02	Seal, Cable, Green (.06 - .08 Cable OD)	4
21	22-01566-01	Terminal, Female (18-20 AWG)	4
22	58-00065-87	Grommet, 1.12 ID x 1.44 Hole, 0.156 Inch Groove	1
23	AC202-418	Connector, Liquid Tight, Straight (.230 - .546)	2
24	34-01268-01	Washer, Sealing, 1/2 Inch, Black	2
25	34-00373-13	Clamp, Tube, 1.00 Inch OD, With Neoprene Cushion, SST	2
26	22-01585-00SK	Connector Assembly, Male, 2 Pin, Black	1
27	22-02392-00SV	Connector Kit, 2 Pin - Includes:	1
28	NSS	Connector, 2 Pin, Black	1
29	22-02393-00	Terminal, Male (14-16 AWG)	2
30	22-02394-01	Seal, Cable	2
31	22-02393-01	Terminal, Male (18-20 AWG)	2
32	22-02302-02	Connector, Liquid Tight, Straight, 1/2 Inch (Model 101-9, -24 Only)	1
33	AC202-215	Tubing, Flexible, 3/4 Inch, Closed (25 Feet)	1
34	58-00848-33	Tubing, Split, Corrugated, 1/2 Inch ID x 90.00 Inches Long (Model 101-9, -24 Only)	1
35	12-00352-00	Transducer, Pressure, Suction/Discharge	2
36	22-02448-00SV	Connector Package, Female - Includes:	2
37	NSS	Connector, Female, Black, 3 Pin	1
38	22-50078-76B	Terminal, Female (16-18 AWG)	3
39	22-50100-00	Terminal, Contact, Female	6
40	34-00373-07	Clamp, Tube, 1/2 Inch OD, With Neoprene Cushion, SST	4
41	22-01585-04	Connector, Male, 4 Pin, Black (Model 101-9, -24 Only)	1
42	58-00065-85	Grommet, 0.88 ID x 1.12 Hole, 0.090 Inch Groove	1
43	58-00858-00	Tubing, Split, Corrugated, 1/4 Inch ID x 25 Feet Long	1
44	58-00065-49	Grommet, 0.38 ID x 0.56 Hole, 0.12 Inch Groove	1
45	34-00373-07	Clamp, Tube, 5/8 Inch OD, With Neoprene Cushion, SST	1
46	22-01565-00	Connector, Male, 22 Pin	1
47	22-01565-01	Plug, Terminal Cavity	5
48	22-50078-09A	Lock, Secondary	2
49	34-00666-11	Nut, Hex, 1/4-20 Inch, SST	2
50	62-62041-06	Label, 24 VOLT	1
51	10-00315-00	Stud, Battery Connection, 3/8-16 x 2.07 Inches Long, Brass	1
52	34-62001-00	Washer, Nylon, Red	1
53	62-62041-04	Label, POS +	1
54	34-06095-01	Stud, Battery Connection, 3/8-16 x 2.25 Inches Long, Brass	1
55	34-00938-13	Washer, Lock, Internal Tooth, 3/8, Silicone Bronze	4
56	34-00879-03	Nut, Hex, Jam, 3/8-16, Brass	4
57	62-62041-05	Label, NEG -	1
58	58-00850-00	Tubing, Split, Corrugated, 0.92 Inch ID x 75 Feet Long	1



2.8 Electrical Components - Models 68RM55-101-7, -9, -12, -19, -20, -24 (Continued)

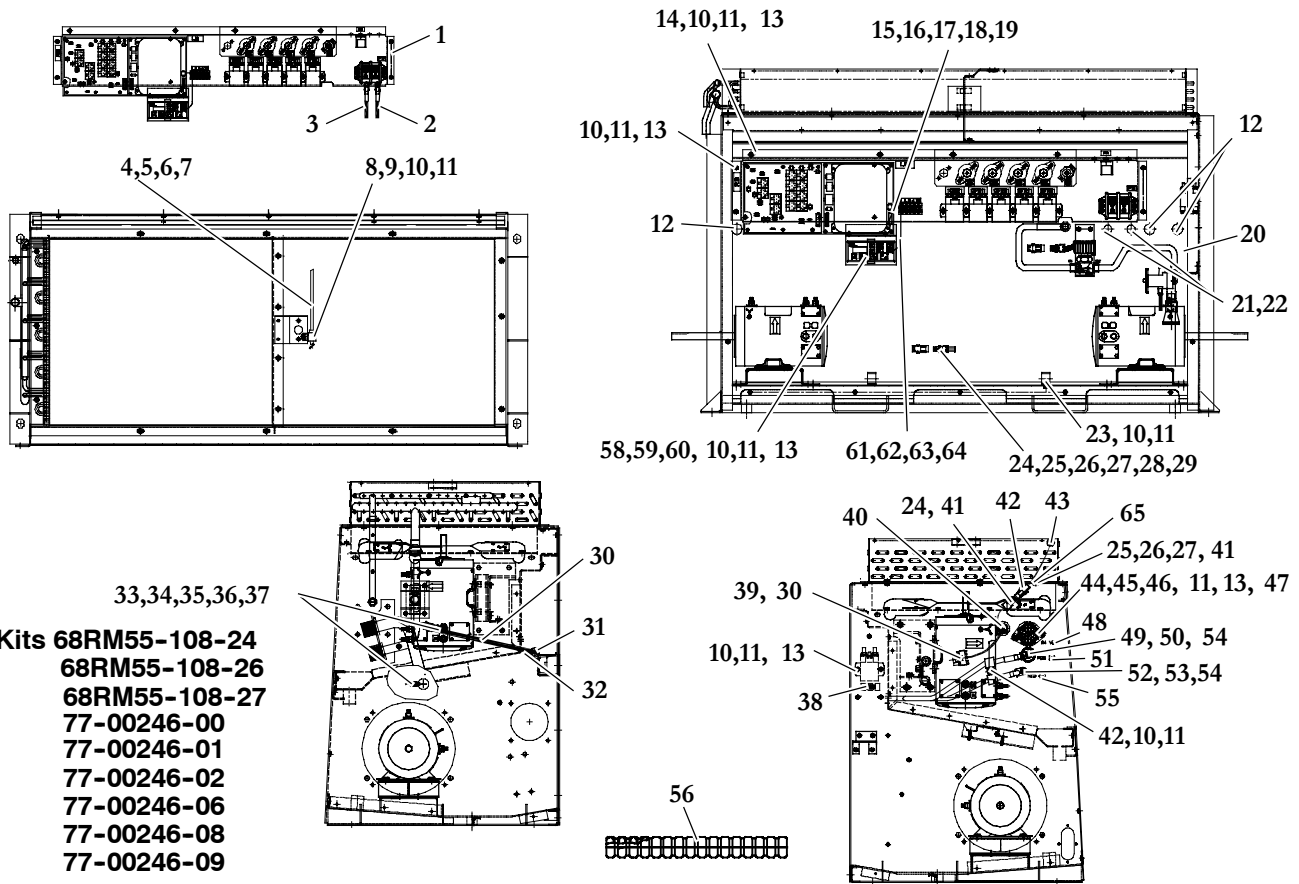
Kits 68RM55-108-23
 68RM55-108-25
 68RM55-108-28
 77-00246-03
 77-00246-04
 77-00246-07



Item	Part Number	Description	Qty
The following parts are included in Models 68RM55-101-7, -12, -19, -20, -24 only			
59	12-00391-03	Module, Drivers Display (Micromate Control Panel)	1
60	68-62125-00	Clamp, Retaining, Temperature Module, Painted	1
61	68-62402-00	Bracket, Mounting, Drivers Display, Painted	1
62	22-62063-00	Harness, A/C Control, 17.00 Inches Long - Includes:	1
63	22-62026-00	Connector, Plug, 6 Position	1
64	22-50145-00	Connector, Plug, 4 Position	1
65	22-50152-00	Terminal, Female Receptacle (16-26 AWG)	8
66	AC202-210	Tubing, Flexible, 1/2 Inch, Closed (25 Feet) Models 68RM55-101-9, -19, -20, -24 Only	1



2.9 Electrical Components - Models 68RM55-101-8, -10, -11, -15, -16, -17, -23, -25, -26

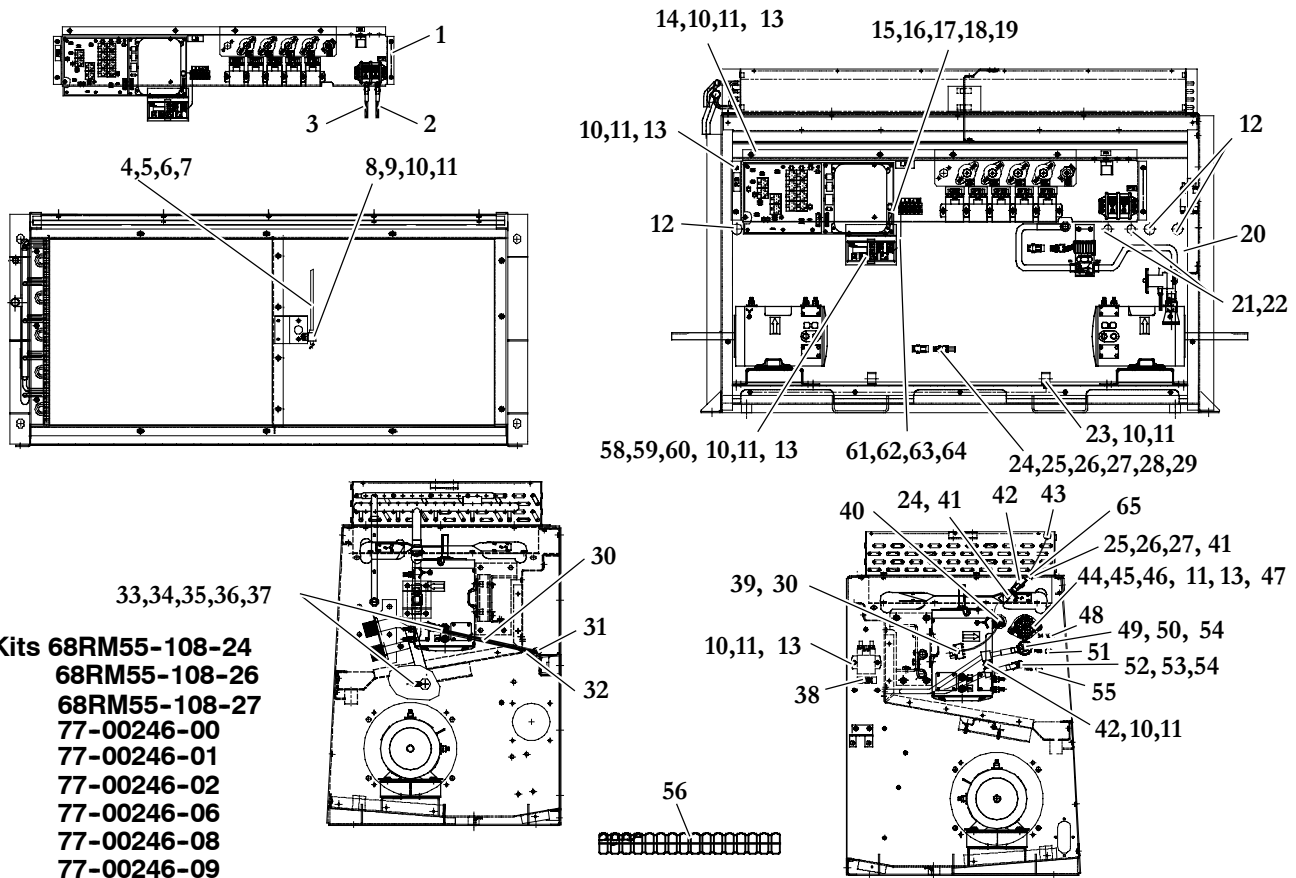


Kits 68RM55-108-24
68RM55-108-26
68RM55-108-27
77-00246-00
77-00246-01
77-00246-02
77-00246-06
77-00246-08
77-00246-09

Item	Part Number	Description	Qty
1	68RM55-131-16	Panel Assembly, Electrical (See Section 3.2) 68RM55-101-8, -10 Only	1
	68RM55-131-20	Panel Assembly, Electrical (See Section 3.2) 68RM55-101-11 Only	
	91-01166-00	Panel Assembly, Electrical (See Section 3.2) 68RM55-101-15, -16 Only	
	91-01166-01	Panel Assembly, Electrical (See Section 3.2) 68RM55-101-17 Only	
	91-01166-05	Panel Assembly, Electrical (See Section 3.2) 68RM55-101-23 Only	
	91-01166-06	Panel Assembly, Electrical (See Section 3.2) 68RM55-101-25 Only	
	91-01166-07	Panel Assembly, Electrical (See Section 3.2) 68RM55-101-26 Only	
2	68RM55-209-12	Cable Assembly, Battery, Black x 26.50 Inches Long	1
3	68RM55-210-13	Cable Assembly, Battery, Red x 26.50 Inches Long	1
4	68RM35-267	Thermistor Assembly - Includes:	1
5	12-00495-02SV	Thermistor Kit, (Replacement For 12-00305-04)	1
6	22-02394-00	Seal, Cable	2
7	22-02393-01	Terminal, Male (18-20 AWG)	2
8	34-00373-03	Clamp, Tube, 3/8 Inch OD, With Neoprene Cushion, SST	4
9	66U1-3882	Wire Tie, Self-Locking, 7.00 Inches, Black	2
10	34-00655-06	Screw, Hex Head, 1/4-20 x 3/4 Inch Long, SST	A/R
11	34-00663-11	Washer, Split Lock, 1/4 Inch, SST	A/R
12	22-02302-03	Connector, Liquid Tight, Straight, 3/4 Inch	A/R
13	34-06212-12	Washer, Plain, 1/4 Inch, Type A, SST	A/R
14	68-62320-00	Cover, Relay Board, Painted	1



2.9 Electrical Components - Models 68RM55-101-8, -10, -11, -15, -16, -17, -23, -25, -26 (Continued)



- Kits 68RM55-108-24
 68RM55-108-26
 68RM55-108-27
 77-00246-00
 77-00246-01
 77-00246-02
 77-00246-06
 77-00246-08
 77-00246-09

Item	Part Number	Description	Qty
15	22-62089-00	Wire Harness, Remote NFI, 61.00 Inches Long (101-8, -11, -17, -26 Only) - Includes:	1
16	22-50145-00	Connector, Plug, 4 Pin	1
17	22-50152-00	Terminal, Female Receptacle (16-26 AWG)	4
18	22-02394-02	Seal, Cable, Green (.06 - .08 Cable OD)	4
19	22-01566-01	Terminal, Female (18-20 AWG)	4
20	58-00065-87	Grommet, 1.12 ID x 1.44 Hole, 0.156 Inch Groove	1
21	AC202-418	Connector, Liquid Tight, Straight (.230 - .546)	2
22	34-01268-01	Washer, Sealing, 1/2 Inch, Black	2
23	34-00373-13	Clamp, Tube, 1.00 Inch OD, With Neoprene Cushion, SST	2
24	22-01585-00SV	Connector Assembly, Male, 2 Pin, Black	2
25	22-02392-00SV	Connector Kit, 2 Pin - Includes:	2
26	NSS	Connector, 2 Pin, Black	1
27	22-02393-00	Terminal, Male (14-16 AWG)	2
28	22-02394-01	Seal, Cable	2
29	22-02393-01	Terminal, Male (18-20 AWG)	2
30	58-00848-33	Tubing, Split, Corrugated, 1/2 Inch ID x 90.00 Inches Long (101-8, -11, -16, -17, -26 Only)	1
31	22-02302-02	Connector, Liquid Tight, Straight, 1/2 Inch (101-8, -11 Only)	1
32	AC202-215	Tubing, Flexible, 3/4 Inch, Closed (25 Feet)	1
33	12-00352-00	Transducer, Pressure, Suction/Discharge	2

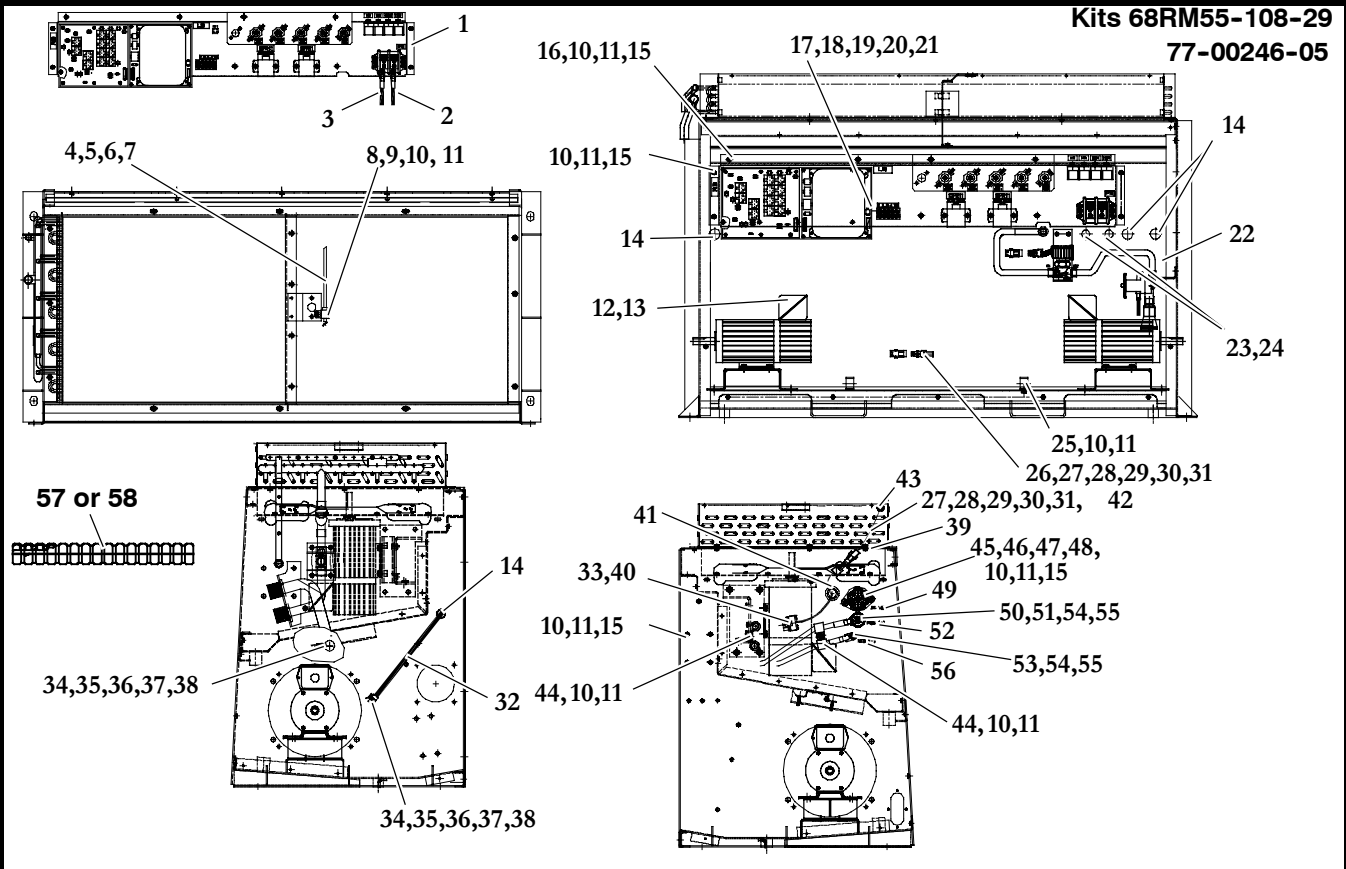


2.9 Electrical Components - Models 68RM55-101-8, -10, -11, -15, -16, -17, -23, -25, -26 (Continued)			
Item	Part Number	Description	Qty
34	22-02448-00SV	Connector Package, Female - Includes:	2
35	NSS	Connector, Female, Black, 3 Pin	1
36	22-50078-76B	Terminal, Female (16-18 AWG)	3
37	22-50100-00	Terminal, Contact, Female	6
38	62-62041-22	Label, ESR	1
39	22-01585-04	Connector, Male, 4 Pin, Black (101-8, -11 Only)	1
40	58-00065-85	Grommet, 0.88 ID x 1.12 Hole, 0.090 Inch Groove	1
41	58-00858-00	Tubing, Split, Corrugated, 1/4 Inch ID x 25 Feet Long	1
42	34-00373-07	Clamp, Tube, 5/8 Inch OD, With Neoprene Cushion, SST	5
43	58-00065-49	Grommet, 0.38 ID x 0.56 Hole, 0.12 Inch Groove	1
44	22-01565-00	Connector, Male, 22 Pin	1
45	22-01565-01	Plug, Terminal Cavity	5
46	22-50078-09A	Lock, Secondary	2
47	34-00666-11	Nut, Hex, 1/4-20 Inch, SST	2
48	62-62041-06	Label, 24 VOLT	1
49	10-00315-00	Stud, Battery Connection, 3/8-16 x 2.07 Inches Long, Brass	1
50	34-62001-00	Washer, Nylon, Red	1
51	62-62041-04	Label, POS +	1
52	34-06095-01	Stud, Battery Connection, 3/8-16 x 2.25 Inches Long, Brass	1
53	34-00938-13	Washer, Lock, Internal Tooth, 3/8, Silicone Bronze	4
54	34-00879-03	Nut, Hex, Jam, 3/8-16, Brass	4
55	62-62041-05	Label, NEG -	1
56	58-00850-00	Tubing, Split, Corrugated, 0.92 Inch ID x 75 Feet Long	1
57	AC202-210	Tubing, Flexible, 1/2 Inch, Closed (25 Feet) Models 68RM55-101-15, -16, -17, -23, -25, -26 only	1
The following parts are included in the 68RM55-101-8 only			
58	12-00391-03	Module, Drivers Display (Micromate Control Panel)	1
59	68-62125-00	Clamp, Retaining, Temperature Module, Painted	1
60	68-62402-00	Bracket, Mounting, Drivers Display, Painted	1
61	22-62063-00	Harness, A/C Control, 17.00 Inches Long - Includes:	1
62	22-62026-00	Connector, Plug, 6 Position	1
63	22-50145-00	Connector, Plug, 4 Position	1
64	22-50152-00	Terminal, Female Receptacle (16-26 AWG)	8
65	44-00102-51	Clamp, Tube, 0.50 Inch OD, With Neoprene Cushion, SST	1



2.10 Electrical Components - Model 68RM55-101-18, -21

Kits 68RM55-108-29
77-00246-05



Item	Part Number	Description	Qty
1	68RM55-131-22	Panel Assembly, Electrical (Model 101-18 Only) (See Section 3.7)	1
	91-01166-04	Panel Assembly, Electrical (Model 101-21 Only) (See Section 3.7)	
2	68RM55-209-12	Cable Assembly, Battery, Black x 26.50 Inches Long	1
3	68RM55-210-13	Cable Assembly, Battery, Red x 26.50 Inches Long	1
4	68RM35-267	Thermistor Assembly - Includes:	1
5	12-00495-02SV	Thermistor Kit, (Replacement For 12-00305-04)	1
6	22-02394-00	Seal, Cable	2
7	22-02393-01	Terminal, Male (18-20 AWG)	2
8	34-00373-03	Clamp, Tube, 3/8 Inch OD, With Neoprene Cushion, SST	1
9	66U1-3882	Wire Tie, Self-Locking, 7.00 Inches, Black	2
10	34-00655-06	Screw, Cap, Hex Head, 1/4-20 x 3/4 Inch Long, SST	17
11	34-00663-11	Washer, Split Lock, 1/4 Inch, SST	17
12	AC301-204	Hose, Valve, Kazoo, 1 Inch x 3 Inches	1
13	AC701-237	Connector, 1/2 Inch Romax	2
14	22-02302-03	Connector, Liquid Tight, Straight, 3/4 Inch	4
15	34-06212-12	Washer, Plain, 1/4, Type A, SST	12
16	68-62320-00	Cover, Relay Board, Painted	1
17	22-62089-00	Wire Harness, Remote NFI, 61.00 Inches Long - Includes:	1
18	22-50145-00	Connector, Plug, 4 Pin	1
19	22-50152-00	Terminal, Female Receptacle (16-26 AWG)	4
20	22-02394-02	Seal, Cable, Green (.06 - .08 Cable OD)	4
21	22-01566-01	Terminal, Female (18-20 AWG)	4



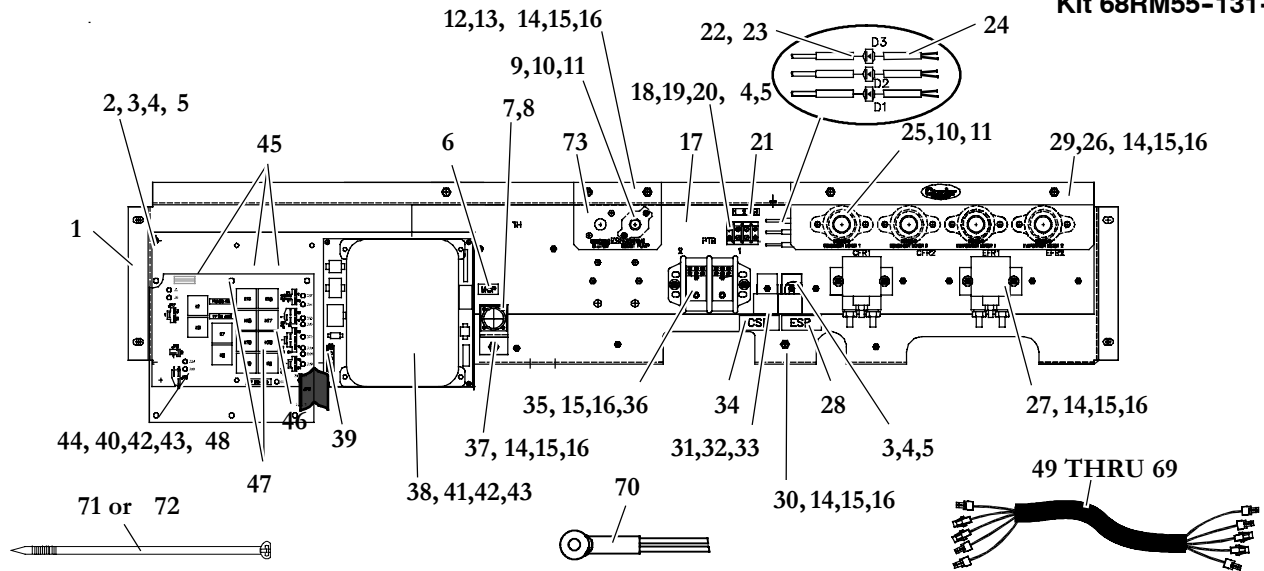
2.10 Electrical Components - Model 68RM55-101-18, -21 (Continued)			
Item	Part Number	Description	Qty
22	58-00065-87	Grommet, 1.12 ID x 1.44 Hole, .156 Inch Groove	1
23	AC202-418	Connector, Liquid Tight, Straight (.230 - .546)	2
24	34-01268-01	Washer, Sealing, 1/2 Inch, Black	2
25	34-00373-13	Clamp, Tube, 1.00 Inch OD, With Neoprene Cushion, SST	2
26	22-01585-00SK	Connector Assembly, Male, 2 Pin, Black	2
27	22-02392-00SV	Connector Kit, 2 Pin - Includes:	2
28	NSS	Connector, 2 Pin, Black	1
29	22-02393-00	Terminal, Male (14-16 AWG)	2
30	22-02394-01	Seal, Cable	2
31	22-02393-01	Terminal, Male (18-20 AWG)	2
32	AC202-215	Tubing, Flexible, 3/4 Inch, Closed (25 Feet)	1
33	58-00848-00	Tubing, Split, Corrugated, 1/2 Inch ID x 25 Feet Long	1
34	12-00352-00	Transducer, Pressure, Suction/Discharge	2
35	22-02448-00SV	Connector Package, Female - Includes:	2
36	NSS	Connector, Female, Black, 3 Pin	1
37	22-50078-76B	Terminal, Female (16-18 AWG)	3
38	22-50100-00	Terminal, Contact, Female	6
39	44-00102-51	Clamp, Tube, 1/2 Inch OD, With Neoprene Cushion, SST	1
40	22-01585-04	Connector, Male, 4 Pin, Black	1
41	58-00065-85	Grommet, 0.88 ID x 1.12 Hole, .09 Inch Groove	1
42	58-00858-00	Tubing, Split, Corrugated, 1/4 Inch ID x 25 Feet Long	1
43	58-00065-49	Grommet, 0.38 ID x 0.56 Hole, .12 Inch Groove	1
44	34-00373-07	Clamp, Tube, 5/8 Inch OD, With Neoprene Cushion, SST	4
45	22-01565-00	Connector, Male, 22 Pin	1
46	22-01565-01	Plug, Terminal Cavity	4
47	22-50078-09A	Lock, Secondary	2
48	34-00666-11	Nut, Hex, 1/4-20	2
49	62-62041-06	Label, 24 VOLT	1
50	10-00315-00	Stud, Battery Connection, 3/8-16 x 2.07 Inches Long, Brass	1
51	34-62001-00	Washer, Nylon, Red	1
52	62-62041-04	Label, POS +	1
53	34-06095-01	Stud, Battery Connection, 3/8-16 x 2.25 Inches Long, Brass	1
54	34-00938-13	Washer, Lock, Internal Tooth, 3/8, Silicone Bronze	4
55	34-00879-03	Nut, Hex, Jam, 3/8-16, Brass	4
56	62-62041-05	Label, NEG -	1
57	58-00850-00	Tubing, Split, Corrugated, 0.92 Inch ID x 75 Feet Long	1
58	AC202-210	Tubing, Flexible, 1/2 Inch, Closed (25 Feet)	1



3 ELECTRICAL CONTROL PANELS

3.1 Electrical Control Panel - Model 68RM55-100-17

Kit 68RM55-131-12



Item	Part Number	Description	Qty
1	68-62084-00	Panel Assembly, Electrical, Painted	1
2	68RM40-157	Panel Assembly, Relay Board & Logic Module, Painted	1
3	34-06264-04	Screw, Hex Head Slotted, #8-32 x 1/2 Inch Long, SST	8
4	34-00662-08	Washer, Plain, #8, .032 Thick, SST	10
5	34-00663-08	Washer, Split Lock, #8, SST	10
6	62-62007-00	Label, MCP (Micromate Control Panel)	1
7	34-50048-00	Screw, Pan Head, Phillips, #6-32 x 1/2 Inch Long, SST	4
8	34-00667-07	Nut, Hex, Self-Locking #6-32, SST	4
9	10-00247-03	Breaker, Circuit - 15 AMP	1
10	34-06179-03	Bolt, Hex Head, Slotted, SEMS, #10-24 x 1.00 Inch Long, SST	10
11	34-00667-09	Nut, Hex, Self-Locking #10-24, SST	10
12	68RM35-1036P	Panel, Circuit Breaker	1
13	68RM35-1046	Label, Circuit Breaker	1
14	34-00655-06	Screw, Hex Head, 1/4-20 x 3/4 Inch Long, SST	10
15	34-00662-11	Washer, Plain, 1/4 Inch, SST	12
16	34-00663-11	Washer, Split Lock, 1/4 Inch, SST	12
17	62-62011-00	Label, Component Identification	1
18	22-01563-04	Terminal Block, 2 Poles	1
19	34-06264-06	Screw, Hex Head Slotted, #8-32 x 3/4 Inch Long, SST	2
20	22-01612-00	Jumper, Terminal Block	1
21	62-62040-02	Label, 1,2 TB	1
22	AC201-600	Diode, In-Line, 6 AMP	3
23	AC202-209	Tubing, Heat Shrink, 3/16, W/Adhesive	1
24	AC201-244	Terminal, Butt Connector, 14-16 AWG	6
25	10-00307-01	Breaker, Circuit - 60 AMP	4
26	68RM35-1037	Label, Circuit Breaker	1
27	10-00300-02	Contact, 28 VDC, SPNO	2
28	62-62041-22	Label, ESR	1

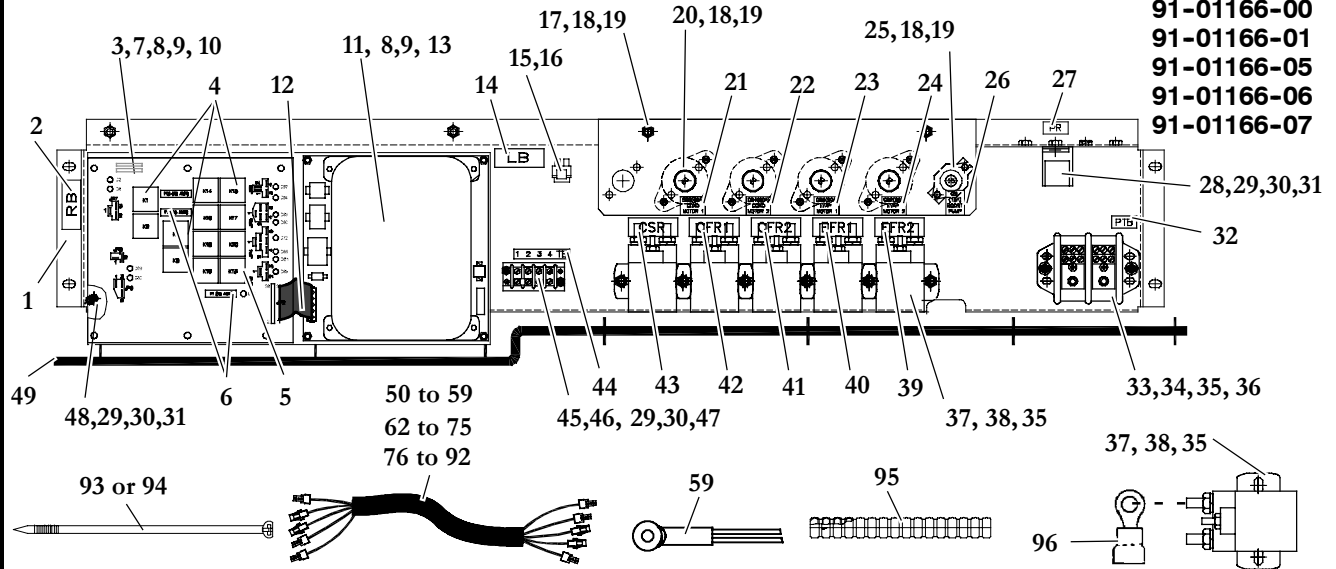


3.1 Electrical Control Panel - Model 68RM55-100-17 (Continued)			
Item	Part Number	Description	Qty
29	68RM35-1027P	Panel, Circuit Breaker, Painted	1
30	34-00373-03	Clamp, Tube, 3/8 OD, With Neoprene Cushion, SST	1
31	10-00286-09	Relay, SPDT, 24VDC	2
32	AC201-901	Connector, Relay Socket	2
33	AC201-931	Lock, Connector	2
34	62-62041-16	Label, CSR	1
35	22-01594-00	Terminal Block, Power	1
36	34-00655-08	Screw, Hex Head, 1/4-20 x 1.00 Inch Long, SST	2
37	68RM40-1356P	Bracket, Deutsch Connector, Painted	1
38	12-00392-15	Module, Logic Controller 24VDC (300 PSI) - Includes:	1
39	22-50236-00	Harness, Ribbon Cable, 26 Pin (Logic Module to Relay Board)	1
40	34-62000-00	Spacer, Nylon, .50 Inch Long	6
41	34-62000-01	Spacer, Nylon, .25 Inch Long	4
42	58-00511-08	Washer, Nylon	10
43	34-00360-09	Nut, Hex, Self-Locking #10-32, Zinc Plated	10
44	12-00371-01	Board, Relay - Includes:	1
45	10-00286-11	Relay, 24 VDC, 40 Amp, SPDT	11
46	10-00286-12	Relay, 24 VDC, 40 Amp, SPDT (K13 Only)	1
47	22-02336-06	Fuse, 15 AMP	3
48	42-62005-00	Gasket, Relay Board	1
49	68RM55-136-12	Wire Harness, Complete, H/C, R-22 Rotron Motors - Includes:	1
50	22-50144-00	Connector, 4 Position (J1)	1
51	22-50145-00	Connector, 4 Position (J2)	1
52	22-50146-00	Connector, 9 Position (J3)	1
53	22-50143-00	Connector, 15 Position (J4)	1
54	CM983-618	Connector, 24 Position (J6)	1
55	22-50135-00	Connector, Female, 3 Position (JP3) (JP7)	2
56	22-50136-00	Connector, Female, 6 Position (JP4)	1
57	22-50137-00	Connector, Female, 5 Position (JP5)	1
58	22-50138-00	Connector, Female, 4 Position (JP6)	1
59	22-50134-00	Connector, Female, 2 Position (JP8)	1
60	22-50275-00	Connector, Female, 3 Position (JP9)	1
61	22-01660-03	Connector, Deutsch, 5 Position (Service Port)	1
62	22-50153-00	Terminal, Socket, Female (J1)	3
63	22-50152-00	Terminal, Socket, Female (J2,J3,J4,J6)	23
64	22-50148-00	Terminal, Female (JP3 Thru JP9)	22
65	22-01613-14	Terminal, Deutsch, #16	4
66	22-01566-01	Terminal, Socket, Female (18-20 AWG)	22
67	22-02393-00	Terminal, Male (14-16 AWG)	2
68	AC201-225	Terminal, Female (14 AWG)	7
69	22-02394-02	Seal, Cable, Green	A/R
70	12-00495-02SV	Thermistor Kit, (Replacement For 12-00305-04)	1
71	66U1-3882	Wire Tie, Self-Locking, 7.00 Inches, Black	50
72	58-00079-00	Wire Tie, Self-Locking, 15.00 Inches, Black	3
73	68RM35-1258-1	Label, Instruction Cover	1



3.2 Electrical Control Panel - Models 68RM55-100-22, -101-8, -10, -11, -15, -16, -17, -23, -25, -26

Kit 68RM55-131-16
 68RM55-131-20
 91-01166-00
 91-01166-01
 91-01166-05
 91-01166-06
 91-01166-07



Item	Part Number	Description	Qty
1	68-62603-00	Panel Assembly, Electrical, Painted	1
2	62-62041-27	Label, RB	1
3	12-00371-01	Board, Relay - Includes:	1
4	10-00286-11	Relay, 24 VDC, 40 Amp, SPDT	11
5	10-00286-12	Relay, 24 VDC, 40 Amp, SPDT (K13 Only)	1
6	22-02336-06	Fuse, 15 AMP	3
7	34-62000-00	Spacer, Nylon, .50 Inch Long	6
8	58-00511-08	Washer, Nylon	10
9	34-00360-09	Nut, Hex, Self-Locking #10-32, Zinc Plated	10
10	42-62005-00	Gasket, Relay Board	1
11	12-00392-15	Module, Logic Controller 24VDC (300 PSI) -Includes:	1
12	22-50236-00	Harness, Ribbon Cable, 26 Pin (Logic Module to Relay Board)	1
13	34-62000-01	Spacer, Nylon, .25 Inch Long	4
14	62-62041-24	Label, LB	1
15	22-02336-04	Fuse, 10 AMP	1
16	22-01449-00	Clip, Wire & Cord	1
17	68-62604-00	Panel, Circuit Breaker, Painted	1
18	34-06179-03	Bolt, Hex Head, Slotted, SEMS, #10-24 x 1.00 Inch Long, SST	10
19	34-00667-09	Nut, Hex, Self-Locking #10-24, SST	10
20	10-00307-01	Breaker, Circuit - 60 AMP	4
21	62-62043-07	Label, CB5 (60 A) Cond. Motor 1	1
22	62-62043-05	Label, CB4 (60 A) Cond. Motor 2	1
23	62-62043-03	Label, CB3 (60 A) Evap. Motor 1	1
24	62-62043-01	Label, CB2 (60 A) Evap. Motor 2	1
25	10-00247-03	Breaker, Circuit - 15 AMP	1
26	62-62044-00	Label, CB1 (15 A) Boost Pump	1
27	62-62041-25	Label, PR	1



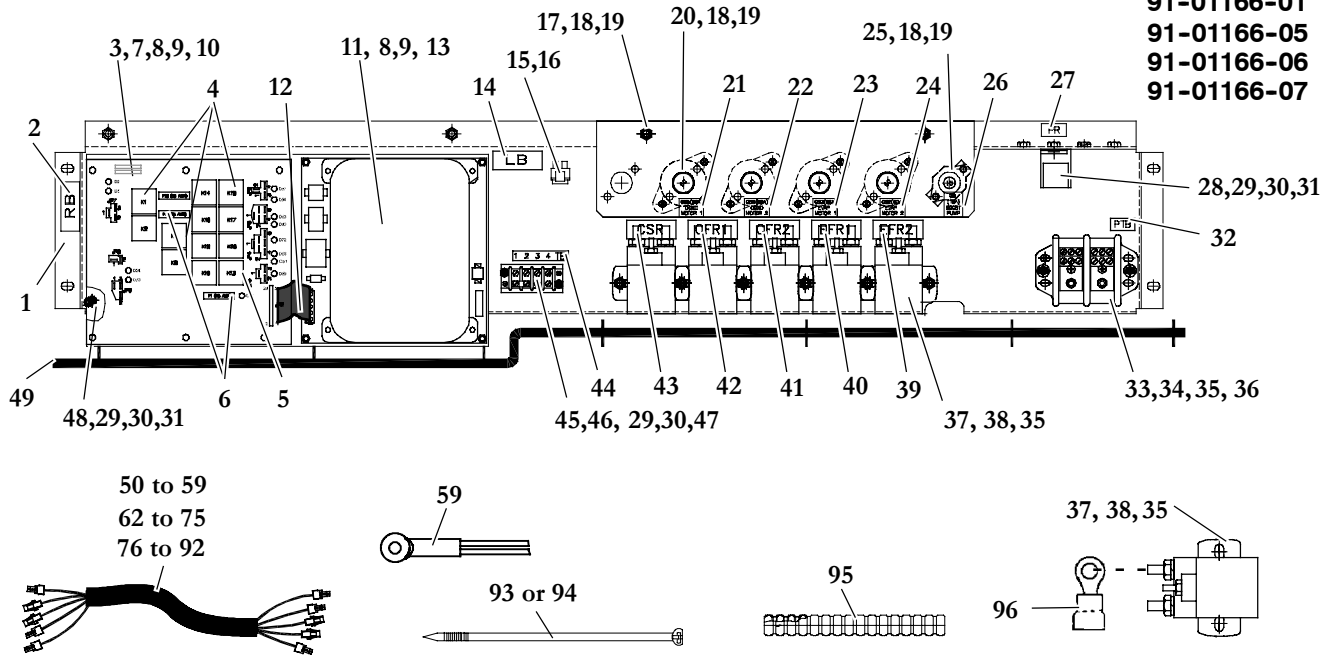
3.2 Electrical Control Panel - Models 68RM55-100-22, -101-8, -10, -11, -15, -16, -17, -23, -25, -26 (Continued)

Item	Part Number	Description	Qty
28	10-00286-09	Relay, SPDT, 24VDC	1
29	34-00662-08	Washer, Plain, #8, .032 Thick, SST	9
30	34-00663-08	Washer, Split Lock, #8, SST	9
31	34-06264-04	Screw, Hex Head Slotted, #8-32 x 1/2 Inch Long, SST	7
32	62-62041-26	Label, PTB	1
33	22-01594-00	Terminal Block, Power	1
34	34-00655-08	Screw, Hex Head, 1/4-20 x 1.00 Inch Long, SST	2
35	34-00662-11	Washer, Plain, 1/4 Inch, SST	10
36	34-00663-11	Washer, Split Lock, 1/4 Inch, SST	2
37	10-00300-02	Contact, 28 VDC, SPNO	6
38	34-62055-00	Screw, Hex Head, W/Lockwasher, 1/4-20 x 0.63 Inch Long, SST	8
39	62-62041-21	Label, EFR2	1
40	62-62041-20	Label, EFR1	1
41	62-62041-13	Label, CFR2	1
42	62-62041-11	Label, CFR1	1
43	62-62041-16	Label, CSR	1
44	62-62040-04	Label, 1,2,3,4 TB	1
45	22-01563-05	Terminal Block, 4 Poles	1
46	22-01612-00	Jumper, Terminal Block	1
47	34-06264-06	Screw, Hex Head Slotted, #8-32 x 3/4 Inch Long, SST	2
48	68RM40-157	Panel Assembly, Relay Board & Logic Module, Painted	1
49	22-62087-00	Wire Harness, Power	1
50	22-62076-00	Wire Harness, Control (PM & WF)(100-20, 101-8, -10, -11, -15, -16, -17 Only) - Includes:	1
51	22-50144-00	Connector, Housing Kit, 4 Position (J1)	1
52	22-50153-00	Terminal, Socket, Female (J1)	4
53	CM983-618	Connector, 24 Position (J6)	1
54	22-50152-00	Terminal, Socket, Female (J6)	24
55	22-50135-00	Connector, Female, 3 Position (J7)	1
56	22-50148-00	Terminal, Female (J7, J8 & J9)	8
57	22-50134-00	Connector, Female, 2 Position (J8)	1
58	22-50275-00	Connector, Female, 3 Position (J9)	1
59	12-00495-02SV	Thermistor Kit, (Replacement For 12-00305-04)	1
50	22-02901-00	Wire Harness, Control (PM & WF)(101-23, -25, -26 Only) - Includes:	1
51	22-50144-00	Connector, Housing Kit, 4 Position (J1)	1
52	22-50153-00	Terminal, Socket, Female (J1)	4
53	CM983-618	Connector, 24 Position (J6)	1
54	22-50152-00	Terminal, Socket, Female (J6)	24
55	22-50135-00	Connector, Female, 3 Position (J7)	1
56	22-50148-00	Terminal, Female (J7, J8 & J9)	8
57	22-50134-00	Connector, Female, 2 Position (J8)	1
58	22-50275-00	Connector, Female, 3 Position (J9)	1
59	12-00495-02SV	Thermistor Kit, (Replacement For 12-00305-04)	1
60	22-02336-25	Fuse, 20 AMP (F14)	1
61	22-02338-03	Holder, Fuse, W/Cap (F14)	1



3.2 Electrical Control Panel - Models 68RM55-100-22, -101-8, -10, -11, -15, -16, -17, -23, -25, -26 (Continued)

Kit 68RM55-131-16
 68RM55-131-20
 91-01166-00
 91-01166-01
 91-01166-05
 91-01166-06
 91-01166-07



Item	Part Number	Description	Qty
62	22-62085-00	Wire Harness, Interface (100-22, 101-8, -10, -11, -23 Only) - Includes:	1
63	22-50146-00	Connector, 9 Position (J3)	1
64	22-50143-00	Connector, 15 Position (J4)	1
65	22-50152-00	Terminal, Socket, Female (J3 & J4)	7
66	22-50135-00	Connector, Female, 3 Position (JP3)	1
67	22-50136-00	Connector, Female, 6 Position (JP4)	1
68	22-50137-00	Connector, Female, 5 Position (JP5)	1
69	22-50138-00	Connector, Female, 4 Position (JP6)	1
70	22-50148-00	Terminal, Female (JP3, JP4, JP5 & JP6)	13
71	22-02392-00SV	Connector Kit, 2 Pin (WPF) - Includes:	1
72	NSS	Connector, 2 Pin, Black	1
73	22-02393-01	Terminal, Male (18-20 AWG)	2
74	22-02394-01	Seal, Cable	2
75	22-01566-01	Terminal, Socket, Female (18-20 AWG)	19

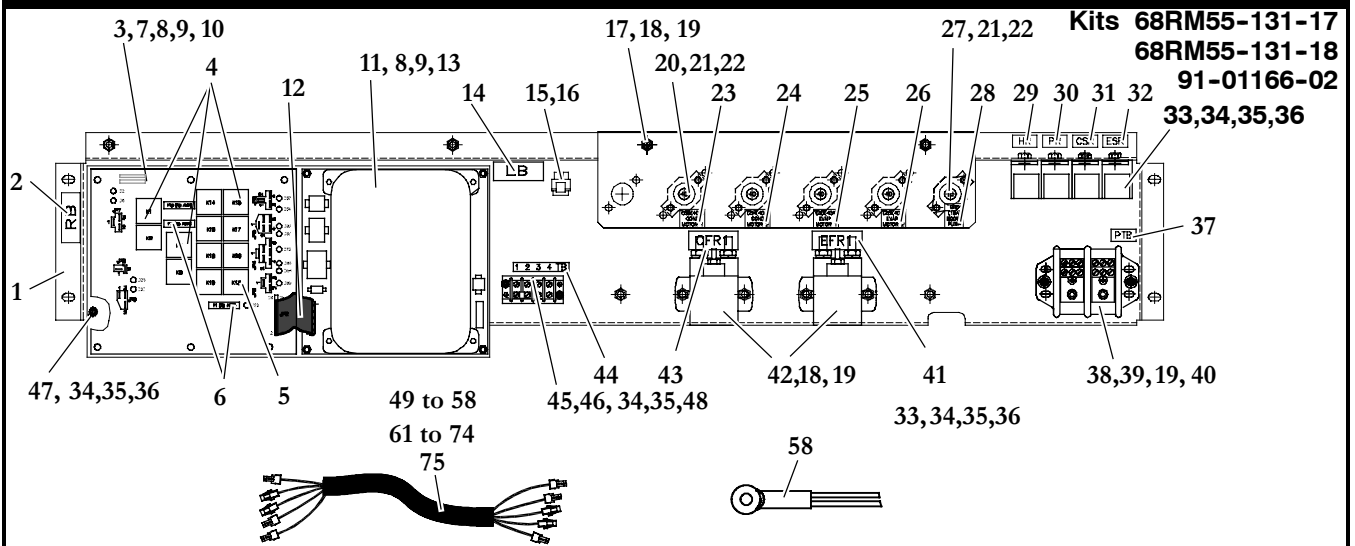


3.2 Electrical Control Panel - Models 68RM55-100-22, -101-8, -10, -11, -15, -16, -17, -23, -25, -26 (Continued)

Item	Part Number	Description	Qty
76	22-02870-00	Wire Harness, Interface (101-15, -16, -17, -25, -26 Only) - Includes:	1
77	22-50146-00	Connector, 9 Position (J3)	1
78	22-50143-00	Connector, 15 Position (J4)	1
79	22-50152-00	Terminal, Socket, Female (J3 & J4)	7
80	22-50135-00	Connector, Female, 3 Position (JP3)	1
81	22-50136-00	Connector, Female, 6 Position (JP4)	1
82	22-50137-00	Connector, Female, 5 Position (JP5)	1
83	22-50138-00	Connector, Female, 4 Position (JP6)	1
84	22-50148-00	Terminal, Female (JP3)	2
85	22-02392-00SV	Connector Kit, 2 Pin (WPF) - Includes:	1
86	NSS	Connector, 2 Pin, Black	1
87	22-02393-01	Terminal, Male (18-20 AWG)	2
88	22-02394-01	Seal, Cable	2
89	22-01566-01	Terminal, Socket, Female (18-20 AWG)	18
90	22-50346-00	Terminal, Socket, Female (JP4, JP5 & JP6)	9
91	22-50347-00	Terminal, Socket, Female (JP4 & JP5)	1
92	AC201-600	Diode, In-Line, 6 Amp (HR)	1
93	66U1-3882	Wire Tie, Self-Locking, 7.00 Inches, Black	40
94	58-00079-00	Wire Tie, Self-Locking, 15.00 Inches, Black	A/R
95	58-00850-00	Tubing, Split, Corrugated, 0.92 Inch ID x 75 Feet Long	1
96	22-00121-27	Terminal, Ring, #10, 22-16 AWG, Red Vinyl	2



3.3 Electrical Control Panel - Models 68RM55-100-23, -25, 101-6, -7, -9, -19, -24



Item	Part Number	Description	Qty
1	68-62603-00	Panel Assembly, Electrical, Painted	1
2	62-62041-27	Label, RB	1
3	12-00371-01	Board, Relay - Includes:	1
4	10-00286-11	Relay, 24 VDC, 40 Amp, SPDT	11
5	10-00286-12	Relay, 24 VDC, 40 Amp, SPDT (K13 Only)	1
6	22-02336-06	Fuse, 15 AMP	3
7	34-62000-00	Spacer, Nylon, .50 Inch Long	6
8	58-00511-08	Washer, Nylon	10
9	34-00360-09	Nut, Hex, Self-Locking #10-32, Zinc Plated	10
10	42-62005-00	Gasket, Relay Board	1
11	12-00392-15	Module, Logic Controller 24VDC (300 PSI) - Includes:	1
12	22-50236-00	Harness, Ribbon Cable, 26 Pin (Logic Module to Relay Board)	1
13	34-62000-01	Spacer, Nylon, .25 Inch Long	4
14	62-62041-24	Label, LB	1
15	22-02336-04	Fuse, 10 AMP	1
16	22-01449-00	Clip, Wire & Cord	1
17	68-62604-00	Panel, Circuit Breaker, Painted	1
18	34-62055-00	Screw, Hex Head, W/Lockwasher, 1/4-20 x 0.63 Inch Long, SST	6
19	34-00662-11	Washer, Plain, 1/4 Inch, SST	8
20	10-00247-05	Breaker, Circuit - 40 AMP	4
21	34-06179-03	Bolt, Hex Head, Slotted, SEMS, #10-24 x 1.00 Inch Long, SST	10
22	34-00667-09	Nut, Hex, Self-Locking #10-24, SST	10
23	62-62043-06	Label, CB5 (40 A) Cond. Motor 1	1
24	62-62043-04	Label, CB4 (40 A) Cond. Motor 2	1
25	62-62043-02	Label, CB3 (40 A) Evap. Motor 1	1
26	62-62043-00	Label, CB2 (40 A) Evap. Motor 2	1
27	10-00247-03	Breaker, Circuit - 15 AMP	1
28	62-62044-00	Label, CB1 (15 A) Boost Pump	1
29	62-62041-23	Label, HR	1
30	62-62041-25	Label, PR	1
31	62-62041-16	Label, CSR	1

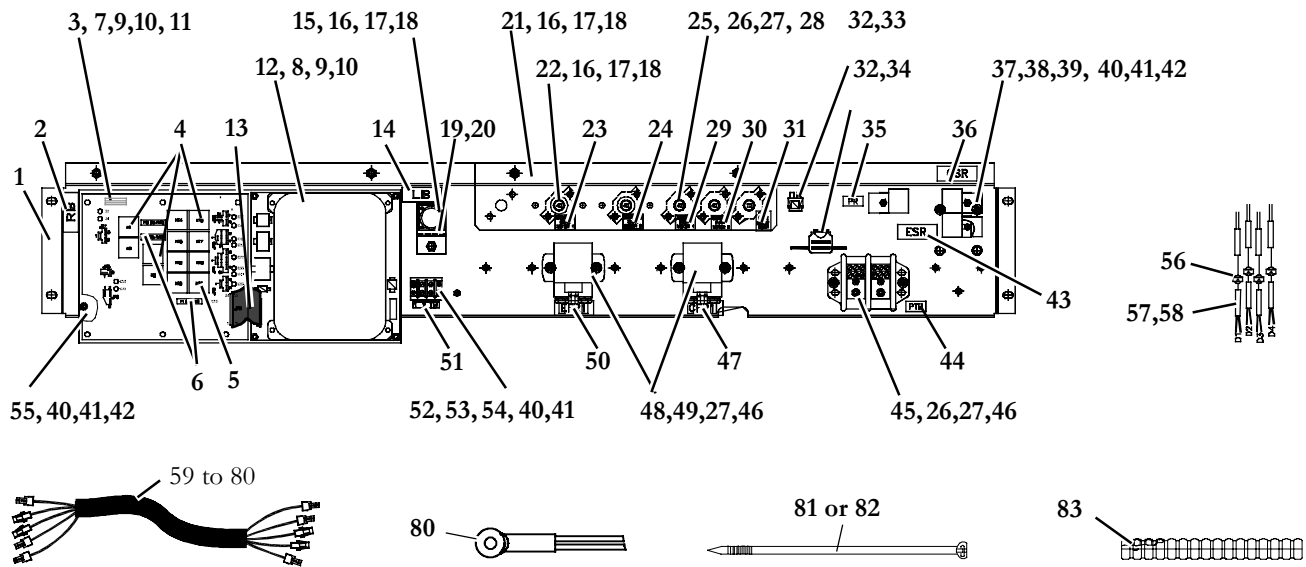


3.3 Electrical Control Panel - Models 68RM55-100-23, -25, 101-6, -7, -9, -19, -24 (Continued)			
Item	Part Number	Description	Qty
32	62-62041-22	Label, ESR	1
33	10-00286-09	Relay, SPDT, 24VDC	4
34	34-00662-08	Washer, Plain, #8, .032 Thick, SST	12
35	34-00663-08	Washer, Split Lock, #8, SST	12
36	34-06264-04	Screw, Hex Head Slotted, #8-32 x 1/2 Inch Long, SST	10
37	62-62041-26	Label, PTB	1
38	22-01594-00	Terminal Block, Power	1
39	34-00655-08	Screw, Hex Head, 1/4-20 x 1.00 Inch Long, SST	2
40	34-00663-11	Washer, Split Lock, 1/4 Inch, SST	2
41	62-62041-20	Label, EFRI	1
42	10-00300-02	Contact, 28 VDC, SPNO	2
43	62-62041-11	Label, CFR1	1
44	62-62040-04	Label, 1,2,3,4 TB	1
45	22-01563-05	Terminal Block, 4 Poles	1
46	22-01612-00	Jumper, Terminal Block	1
47	68RM40-157	Panel Assembly, Relay Board & Logic Module, Painted	1
48	34-06264-06	Screw, Hex Head Slotted, #8-32 x 3/4 Inch Long, SST	2
49	22-62077-00	Wire Harness, Control (PM & WF) - Includes:	1
	22-02894-00	Wire Harness, Control (Rotron)(Model 101-19) Only - Includes:	
50	22-50144-00	Connector, Housing Kit, 4 Position, (J1)	1
51	22-50153-00	Terminal, Socket, Female (J1)	4
52	CM983-618	Connector, 24 Position (J6)	1
53	22-50152-00	Terminal, Socket, Female (J6)	24
54	22-50135-00	Connector, Female, 3 Position (JP7)	1
55	22-50148-00	Terminal, Female (JP7, JP8 & JP9)	3
56	22-50134-00	Connector, Female, 2 Position (JP8)	1
57	22-50275-00	Connector, Female, 3 Position (JP9)	1
58	12-00495-02SV	Thermistor Kit, (Replacement For 12-00305-04)	1
59	22-50346-00	Terminal, Female (JP7 & JP9)	3
60	22-50347-00	Terminal, Female (JP7 & JP9)	4
61	22-62105-00	Wire Harness, Interface - Includes:	1
62	22-50146-00	Connector, 9 Position (J3)	1
63	22-50143-00	Connector, 15 Position (J4)	1
64	22-50152-00	Terminal, Socket, Female (J3 & J4)	7
65	22-50135-00	Connector, Female, 3 Position (JP3)	1
66	22-50136-00	Connector, Female, 6 Position (JP4)	1
67	22-50137-00	Connector, Female, 5 Position (JP5)	1
68	22-50138-00	Connector, Female, 4 Position (JP6)	1
69	22-50148-00	Terminal, Female (JP3, JP4, JP5 & JP6)	13
70	22-02392-00SV	Connector Kit, 2 Pin (WPF) - Includes:	1
71	NSS	Connector, 2 Pin, Black	1
72	22-02393-01	Terminal, Male (18-20 AWG)	2
73	22-02394-01	Seal, Cable	2
74	22-50122-05	Terminal, Female	6
75	22-62080-00	Wire Harness, Power	1



3.4 Electrical Control Panel - Models 68RM55-101-3, -5

Kit 68RM55-131-14



Item	Part Number	Description	Qty
1	68-62477-00	Panel Assembly, Electrical, Painted	1
2	62-62041-27	Label, RB	1
3	12-00371-01	Board, Relay - Includes:	1
4	10-00286-11	Relay, 24 VDC, 40 Amp, SPDT	11
5	10-00286-12	Relay, 24 VDC, 40 Amp, SPDT (K13 Only)	1
6	22-02336-06	Fuse, 15 AMP	3
7	34-62000-00	Spacer, Nylon, .50 Inch Long	6
8	34-62000-01	Spacer, Nylon, .25 Inch Long	4
9	58-00511-08	Washer, Nylon	10
10	34-00360-09	Nut, Hex, Self-Locking #10-32, Zinc Plated	10
11	42-62005-00	Gasket, Relay Board	1
12	12-00392-15	Module, Logic Controller 24VDC (300 PSI) - Includes:	1
13	22-50236-00	Harness, Ribbon Cable, 26 Pin (Logic Module to Relay Board)	1
14	62-62041-24	Label, LB	1
15	68RM40-1356P	Bracket, Deutsch Connector, Painted	1
16	34-00655-06	Screw, Hex Head, 1/4-20 x 3/4 Inch Long, SST	3
17	34-00662-11	Washer, Plain, 1/4 Inch, SST	3
18	34-00663-11	Washer, Split Lock, 1/4 Inch, SST	3
19	34-50048-00	Screw, Pan Head, Phillips, #6-32 x 1/2 Inch Long, SST	4
20	34-00667-07	Nut, Hex, Self-Locking #6-32, SST	4
21	68RM55-1028P	Panel, Circuit Breaker, Painted	1
22	10-00247-05	Breaker, Circuit - 40 AMP	4
23	62-62043-06	Label, CB5 (40 A) Cond. Motor 1	1
24	62-62043-04	Label, CB4 (40 A) Cond. Motor 2	1



3.4 Electrical Control Panel - Models 68RM55-101-3, -5 (Continued)			
Item	Part Number	Description	Qty
25	10-00247-03	Breaker, Circuit - 15 AMP	1
26	34-06179-03	Bolt, Hex Head, Slotted, SEMS, #10-24 x 1.00 Inch Long, SST	12
27	34-00662-09	Washer, Plain, #10, .032 Thick, SST	16
28	34-00667-09	Nut, Hex, Self-Locking #10-24, SST	10
29	62-62043-02	Label, CB3 (40 A) Evap. Motor 1	1
30	62-62043-00	Label, CB2 (40 A) Evap. Motor 2	1
31	62-62044-00	Label, CB1 (15 A) Boost Pump	1
32	22-02336-04	Fuse, 10 AMP	2
33	22-01449-00	Clip, Wire & Cord	1
34	22-02338-02	Holder, Fuse	1
35	62-62041-25	Label, PR	1
36	62-62041-16	Label, CSR	1
37	10-00286-09	Relay, SPDT, 24VDC	3
38	AC201-931	Lock, Connector	3
39	AC201-901	Connector, Relay Socket	3
40	34-00662-08	Washer, Plain, #8, .032 Thick, SST	11
41	34-00663-08	Washer, Split Lock, #8, SST	11
42	34-06264-04	Screw, Hex Head Slotted, #8-32 x 1/2 Inch Long, SST	9
43	62-62041-22	Label, ESR	1
44	62-62041-26	Label, PTB	1
45	22-01594-00	Terminal Block, Power	1
46	34-00663-09	Washer, Split Lock, #10, SST	6
47	62-62041-11	Label, CFR1	1
48	10-00300-02	Contact, 28 VDC, SPNO	2
49	34-06179-01	Bolt, Hex Head, Slotted, SEMS, #10-24 x .50 Inch Long, SST	4
50	62-62041-20	Label, EFR1	1
51	62-62040-02	Label, 1,2 TB	1
52	22-01563-04	Terminal Block, 2 Poles	1
53	22-01612-00	Jumper, Terminal Block	1
54	34-06264-06	Screw, Hex Head Slotted, #8-32 x 3/4 Inch Long, SST	2
55	68RM40-157	Panel Assembly, Relay Board & Logic Module, Painted	1
56	AC201-600	Diode, In-Line, 6 AMP	5
57	AC201-244	Terminal, Butt Connector, 14-16 AWG	10
58	AC202-209	Tubing, Heat Shrink, 3/16, W/Adhesive	3
59	22-62055-00	Wire Harness, Complete, R-134a Rotron Motors - Includes:	1
60	22-50144-00	Connector, 4 Position (J1)	1
61	22-50145-00	Connector, 4 Position (J2)	1
62	22-50146-00	Connector, 9 Position (J3)	1
63	22-50143-00	Connector, 15 Position (J4)	1
64	CM983-618	Connector, 24 Position (J6)	1
65	22-50135-00	Connector, Female, 3 Position (JP3) (JP7)	2
66	22-50136-00	Connector, Female, 6 Position (JP4)	1
67	22-50137-00	Connector, Female, 5 Position (JP5)	1

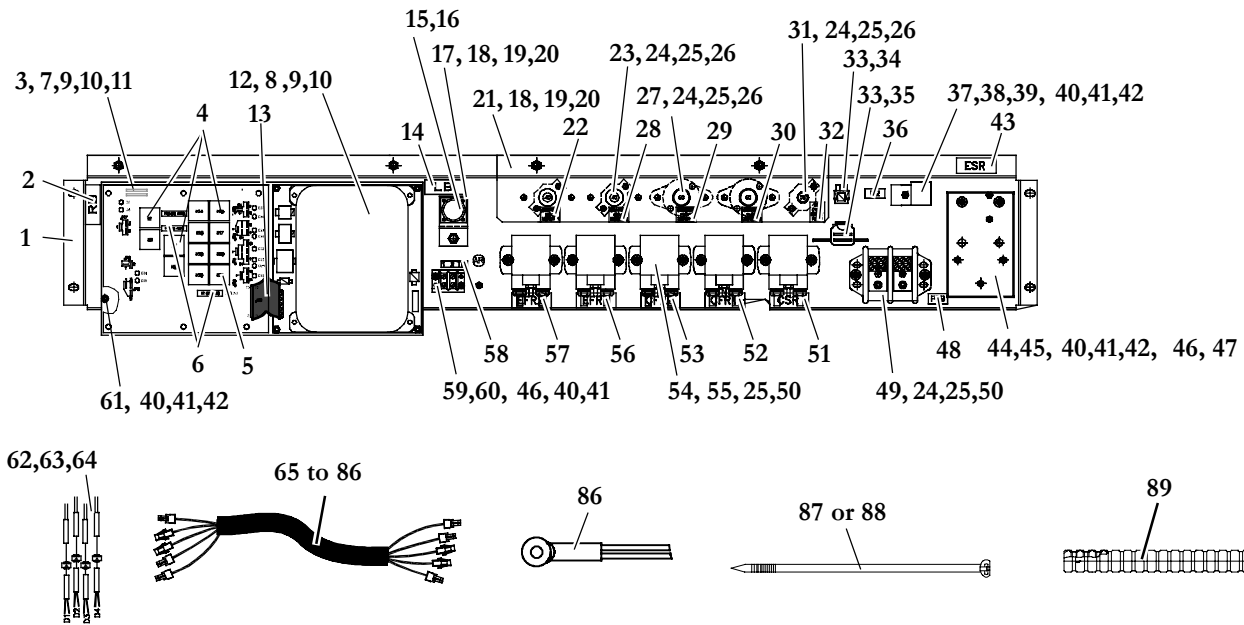


3.4 Electrical Control Panel - Models 68RM55-101-3, -5 (Continued)			
Item	Part Number	Description	Qty
68	22-50138-00	Connector, Female, 4 Position (JP6)	1
69	22-50134-00	Connector, Female, 2 Position (JP8)	1
70	22-50275-00	Connector, Female, 3 Position (JP9)	1
71	22-01660-03	Connector, Deutsch, 5 Position (Service Port)	1
72	22-50153-00	Terminal, Socket, Female (J1)	5
73	22-50152-00	Terminal, Socket, Female (J2,J3,J4,J6)	23
74	22-50148-00	Terminal, Female (JP3 Thru JP9)	21
75	22-01613-14	Terminal, Deutsch, #16	4
76	22-01566-01	Terminal, Socket, Female (18-20 AWG)	21
77	22-02393-01	Terminal, Male (18-20 AWG)	2
78	22-50122-05	Terminal, Female	16
79	22-02394-02	Seal, Cable, Green	A/R
80	12-00495-02SV	Thermistor Kit, (Replacement For 12-00305-04)	1
81	66U1-3882	Wire Tie, Self-Locking, 7.00 Inches, Black	62
82	58-00079-00	Wire Tie, Self-Locking, 15.00 Inches, Black	3
83	58-00850-00	Tubing, Split, Corrugated, 0.92 Inch ID x 75 Feet Long	1



3.5 Electrical Control Panel - Model 68RM55-101-4

Kit 68RM55-131-15

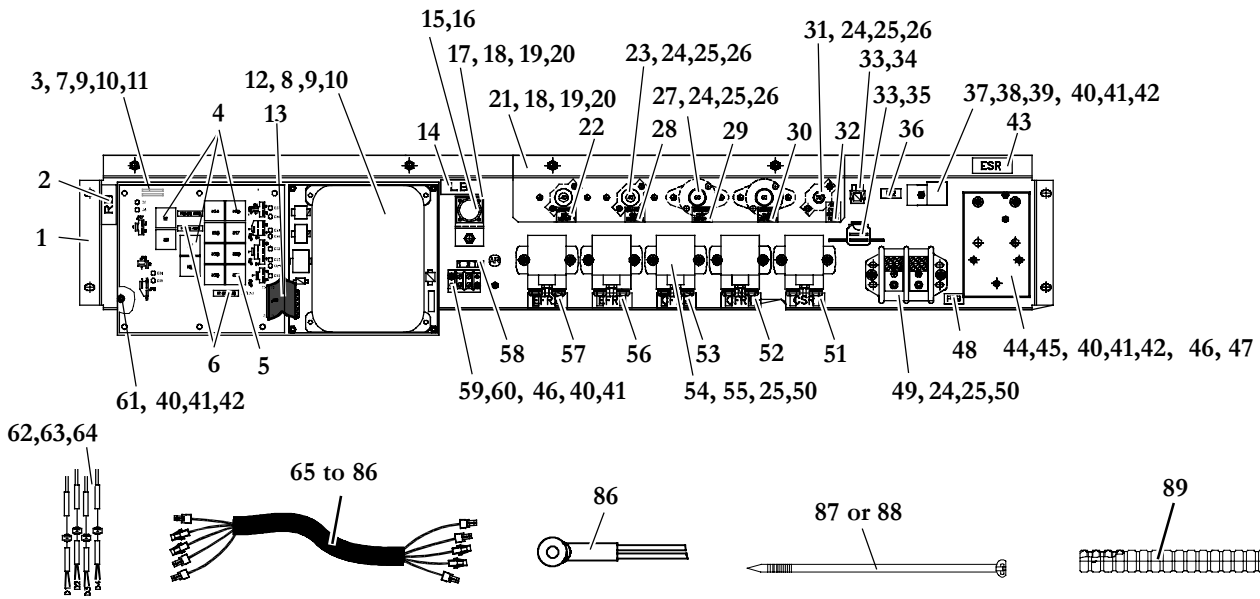


Item	Part Number	Description	Qty
1	68-62477-00	Panel Assembly, Electrical, Painted	1
2	62-62041-27	Label, RB	1
3	12-00371-01	Board, Relay - Includes:	1
4	10-00286-11	Relay, 24 VDC, 40 Amp, SPDT	11
5	10-00286-12	Relay, 24 VDC, 40 Amp, SPDT (K13 Only)	1
6	22-02336-06	Fuse, 15 AMP	3
7	34-62000-00	Spacer, Nylon, .50 Inch Long	6
8	34-62000-00	Spacer, Nylon, .25 Inch Long	4
9	58-00511-08	Washer, Nylon	10
10	34-00360-11	Nut, Hex, Self-Locking #10-32, Zinc Plated	10
11	42-62005-00	Gasket, Relay Board	1
12	12-00392-15	Module, Logic Controller 24VDC (300 PSI) -Includes:	1
13	22-50236-00	Harness, Ribbon Cable, 26 Pin (Logic Module to Relay Board)	1
14	62-62041-24	Label, LB	1
15	34-50048-00	Screw, Pan Head, Phillips, #6-32 x 1/2 Inch Long, SST	4
16	34-00667-07	Nut, Hex, Self-Locking #6-32, SST	4
17	68RM40-1356P	Bracket, Deutsch Connector, Painted	1
18	34-00655-06	Screw, Hex Head, 1/4-20 x 3/4 Inch Long, SST	3
19	34-00662-11	Washer, Plain, 1/4 Inch, SST	3
20	34-00663-11	Washer, Split Lock, 1/4 Inch, SST	3
21	68-62571-00	Panel, Circuit Breaker, Painted	1
22	62-62043-06	Label, CB5 (40 A) Cond. Motor 1	1
23	10-00247-05	Breaker, Circuit - 40 AMP	2
24	34-06179-03	Bolt, Hex Head, Slotted, SEMS, #10-24 x 1.00 Inch Long, SST	12
25	34-00662-09	Washer, Plain, #10, .032 Thick, SST	22
26	34-00667-09	Nut, Hex, Self-Locking #10-24, SST	10
27	10-00307-01	Breaker, Circuit - 60 AMP	2



3.5 Electrical Control Panel - Model 68RM55-101-4 (Continued)

Kit 68RM55-131-15



Item	Part Number	Description	Qty
28	62-62043-04	Label, CB4 (40 A) Cond. Motor 2	1
29	62-62043-03	Label, CB3 (60 A) Evap. Motor 1	1
30	62-62043-01	Label, CB2 (60 A) Evap. Motor 2	1
31	10-00247-03	Breaker, Circuit - 15 AMP	1
32	62-62044-00	Label, CB1 (15 A) Boost Pump	1
33	22-02336-04	Fuse, 10 AMP	2
34	22-01449-00	Clip, Wire & Cord	1
35	22-02338-02	Holder, Fuse	1
36	62-62041-25	Label, PR	1
37	10-00286-09	Relay, SPDT, 24VDC	1
38	AC201-931	Lock, Connector	1
39	AC201-901	Connector, Relay Socket	1
40	34-00662-08	Washer, Plain, #8, .032 Thick, SST	14
41	34-00663-08	Washer, Split Lock, #8, SST	14
42	34-06264-04	Screw, Hex Head Slotted, #8-32 x 1/2 Inch Long, SST	10
43	62-62041-22	Label, ESR	1
44	10-00309-00	Relay, Evaporator Speed, 24 VDC, 20 Amp, DPDT	1
45	10-00314-00	Cover, Relay	1
46	34-06264-06	Screw, Hex Head Slotted, #8-32 x 3/4 Inch Long, SST	4
47	AC801-604	Grommet, 5/8 ID x 7/8 Hole, 1/8 Inch Groove	2
48	62-62041-26	Label, PTB	1
49	22-01594-00	Terminal Block, Power	1
50	34-00663-09	Washer, Split Lock, #10, SST	12
51	62-62041-16	Label, CSR	1
52	62-62041-11	Label, CFR1	1
53	62-62041-13	Label, CFR2	1
54	10-00300-02	Contact, 28 VDC, SPNO	5
55	34-06179-01	Bolt, Hex Head, Slotted, SEMS, #10-24 x .50 Inch Long, SST	10

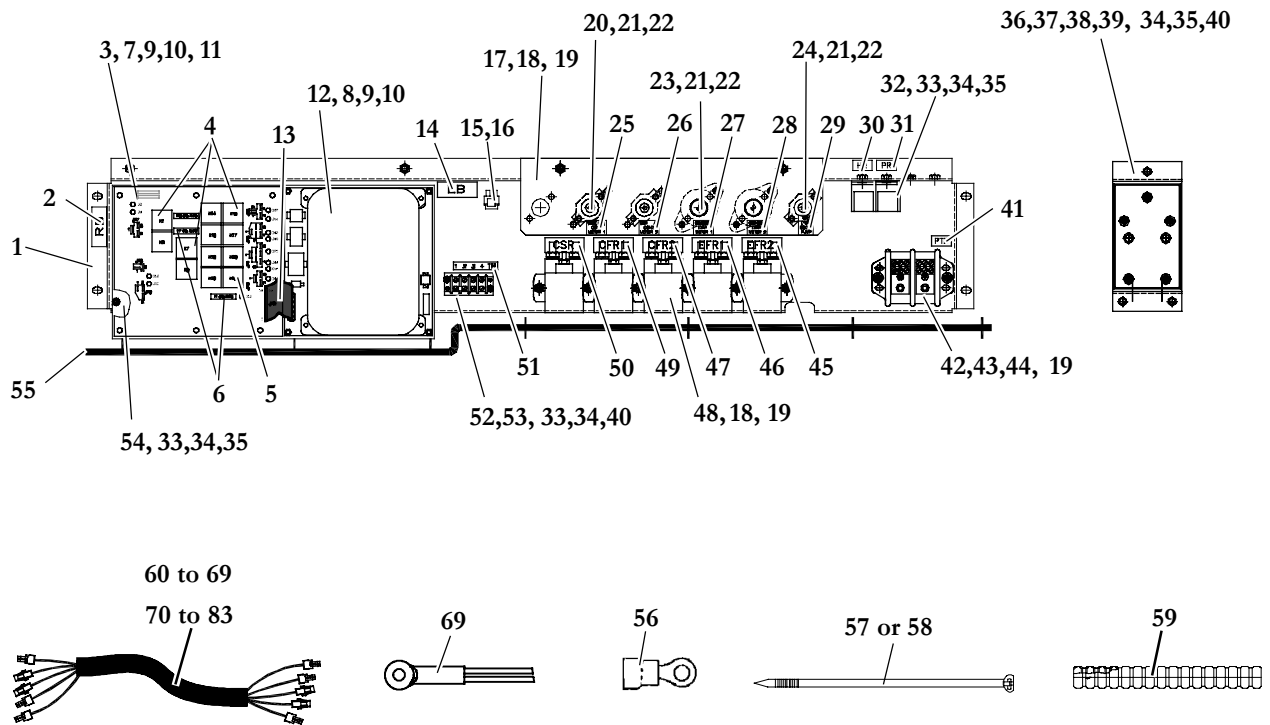


3.5 Electrical Control Panel - Model 68RM55-101-4 (Continued)			
Item	Part Number	Description	Qty
56	62-62041-20	Label, EFR1	1
57	62-62041-21	Label, EFR2	1
58	62-62040-02	Label, 1,2 TB	1
59	22-01563-04	Terminal Block, 2 Poles	1
60	22-01612-00	Jumper, Terminal Block	1
61	68RM40-157	Panel Assembly, Relay Board & Logic Module, Painted	1
62	AC201-600	Diode, In-Line, 6 AMP	5
63	AC201-244	Terminal, Butt Connector, 14-16 AWG	10
64	AC202-209	Tubing, Heat Shrink, 3/16, W/Adhesive	3
65	22-62072-00	Wire Harness, Complete, R-134a PM Motors - Includes:	1
66	22-50144-00	Connector, 4 Position (J1)	1
67	22-50145-00	Connector, 4 Position (J2)	1
68	22-50146-00	Connector, 9 Position (J3)	1
69	22-50143-00	Connector, 15 Position (J4)	1
70	CM983-618	Connector, 24 Position (J6)	1
71	22-50135-00	Connector, Female, 3 Position (JP3) (JP7)	2
72	22-50136-00	Connector, Female, 6 Position (JP4)	1
73	22-50137-00	Connector, Female, 5 Position (JP5)	1
74	22-50138-00	Connector, Female, 4 Position (JP6)	1
75	22-50134-00	Connector, Female, 2 Position (JP8)	1
76	22-50275-00	Connector, Female, 3 Position (JP9)	1
77	22-01660-03	Connector, Deutsch, 5 Position (Service Port)	1
78	22-50153-00	Terminal, Socket, Female (J1)	3
79	22-50152-00	Terminal, Socket, Female (J2,J3,J4,J6)	23
80	22-50148-00	Terminal, Female (JP3 Thru JP9)	23
81	22-01613-14	Terminal, Deutsch, #16	4
82	22-01566-01	Terminal, Socket, Female (18-20 AWG)	21
83	22-02393-01	Terminal, Male (18-20 AWG)	2
84	22-50122-05	Terminal, Female	6
85	22-02394-02	Seal, Cable, Green	A/R
86	12-00495-02SV	Thermistor Kit, (Replacement For 12-00305-04)	1
87	66U1-3882	Wire Tie, Self-Locking, 7.00 Inches, Black	62
88	58-00079-00	Wire Tie, Self-Locking, 15.00 Inches, Black	3
89	58-00850-00	Tubing, Split, Corrugated, 0.92 Inch ID x 75 Feet Long	1



3.6 Electrical Control Panel - Model 68RM55-100-24

Kit 68RM55-131-19



Item	Part Number	Description	Qty
1	68-62603-00	Panel Assembly, Electrical, Painted	1
2	62-62041-27	Label, RB	1
3	12-00371-01	Board, Relay - Includes:	1
4	10-00286-11	Relay, 24 VDC, 40 Amp, SPDT	11
5	10-00286-12	Relay, 24 VDC, 40 Amp, SPDT (K13 Only)	1
6	22-02336-06	Fuse, 15 AMP	3
7	34-62000-00	Spacer, Nylon, .50 Inch Long	6
8	34-62000-01	Spacer, Nylon, .25 Inch Long	4
9	58-00511-08	Washer, Nylon	10
10	34-00360-09	Nut, Hex, Self-Locking #10-32, Zinc Plated	10
11	42-62005-00	Gasket, Relay Board	1
12	12-00546-00	Module, Logic Controller 24VDC (300 PSI) - Includes:	1
13	22-50236-00	Harness, Ribbon Cable, 26 Pin (Logic Module to Relay Board)	1
14	62-62041-24	Label, LB	1
15	22-02336-04	Fuse, 10 AMP	1
16	22-01449-00	Clip, Wire & Cord	1
17	68-62604-00	Panel, Circuit Breaker, Painted	1
18	34-62055-00	Screw, Hex Head, W/Lockwasher, 1/4-20 x 0.63 Inch Long, SST	8
19	34-00662-11	Washer, Plain, 1/4 Inch, SST	10
20	10-00247-05	Breaker, Circuit - 40 AMP	2
21	34-06179-03	Bolt, Hex Head, Slotted, SEMS, #10-24 x 1.00 Inch Long, SST	10
22	34-00667-09	Nut, Hex, Self-Locking #10-24, SST	10

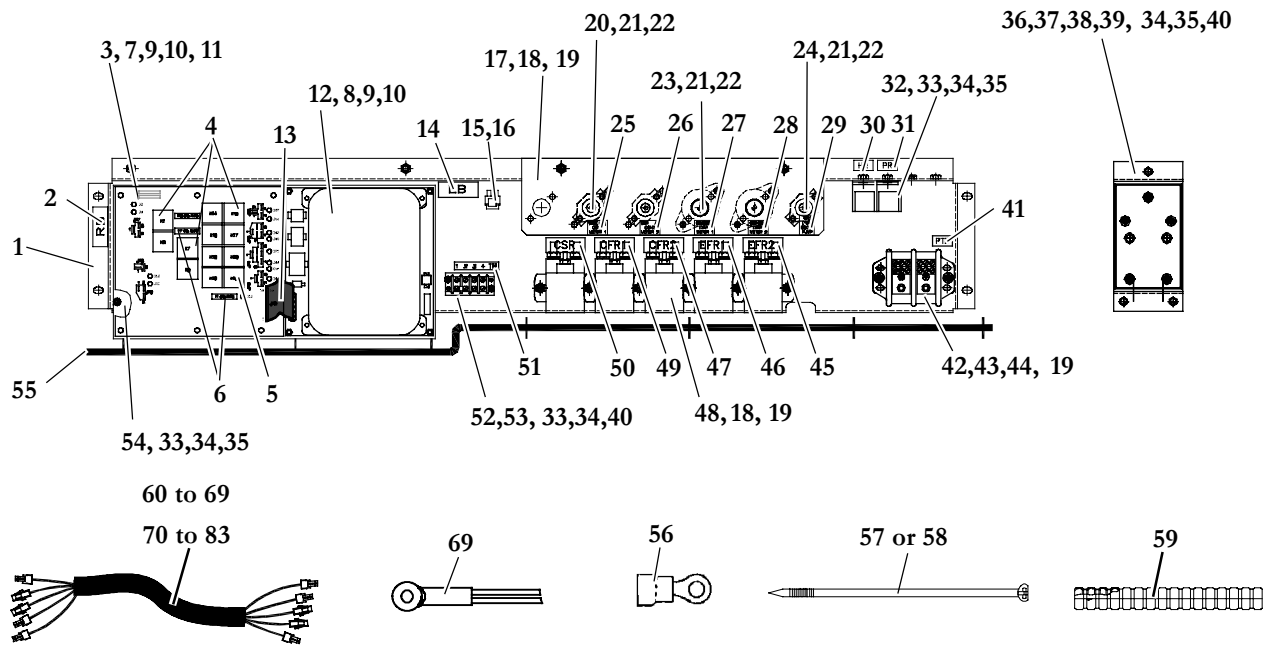


3.6 Electrical Control Panel - Model 68RM55-100-24 (Continued)			
Item	Part Number	Description	Qty
23	10-00307-01	Breaker, Circuit - 60 AMP	2
24	10-00247-03	Breaker, Circuit - 15 AMP	1
25	62-62043-06	Label, CB5 (40 A) Cond. Motor 1	1
26	62-62043-04	Label, CB4 (40 A) Cond. Motor 2	1
27	62-62043-03	Label, CB3 (60 A) Evap. Motor 1	1
28	62-62043-01	Label, CB2 (60 A) Evap. Motor 2	1
29	62-62044-00	Label, CB1 (15 A) Boost Pump	1
30	62-62041-23	Label, HR	2
31	62-62041-25	Label, PR	1
32	10-00286-09	Relay, SPDT, 24VDC	2
33	34-00662-08	Washer, Plain, #8, .032 Thick, SST	10
34	34-00663-08	Washer, Split Lock, #8, SST	15
35	34-06264-04	Screw, Hex Head Slotted, #8-32 x 1/2 Inch Long, SST	11
36	10-00309-00	Relay, Evaporator Speed	2
37	10-00314-00	Cover, Relay	1
38	68-62275-00	Bracket, Relay, Painted	1
39	58-00065-27	Grommet, 0.62 ID x 0.88 Hole, 0.125 Inch Groove	2
40	34-06264-06	Screw, Hex Head Slotted, #8-32 x 3/4 Inch Long, SST	4
41	62-62041-26	Label, PTB	1
42	22-01594-00	Terminal Block, Power	1
43	34-00655-08	Screw, Hex Head, 1/4-20 x 1.00 Inch Long, SST	2
44	34-00663-11	Washer, Split Lock, 1/4 Inch, SST	2
45	62-62041-21	Label, EFR2	1
46	62-62041-20	Label, EFR1	1
47	62-62041-13	Label, CFR2	1
48	10-00300-02	Contact, 28 VDC, SPNO	5
49	62-62041-11	Label, CFR1	1
50	62-62041-16	Label, CSR	1
51	62-62040-04	Label, 1,2,3,4 TB	1
52	22-01563-05	Terminal Block, 4 Poles	1
53	22-01612-00	Jumper, Terminal Block	1
54	68RM40-157	Panel Assembly, Relay Board & Logic Module, Painted	1
55	22-62086-00	Wire Harness, Power	1
56	22-00121-27	Terminal, Ring, #10, 22-16 AWG, Red Vinyl	2
57	66U1-3882	Wire Tie, Self-Locking, 7.00 Inches, Black	40
58	58-00079-00	Wire Tie, Self-Locking, 15.00 Inches, Black	3
59	58-00850-00	Tubing, Split, Corrugated, 0.92 Inch ID x 75 Feet Long	1



3.6 Electrical Control Panel - Model 68RM55-100-24 (Continued)

Kit 68RM55-131-19

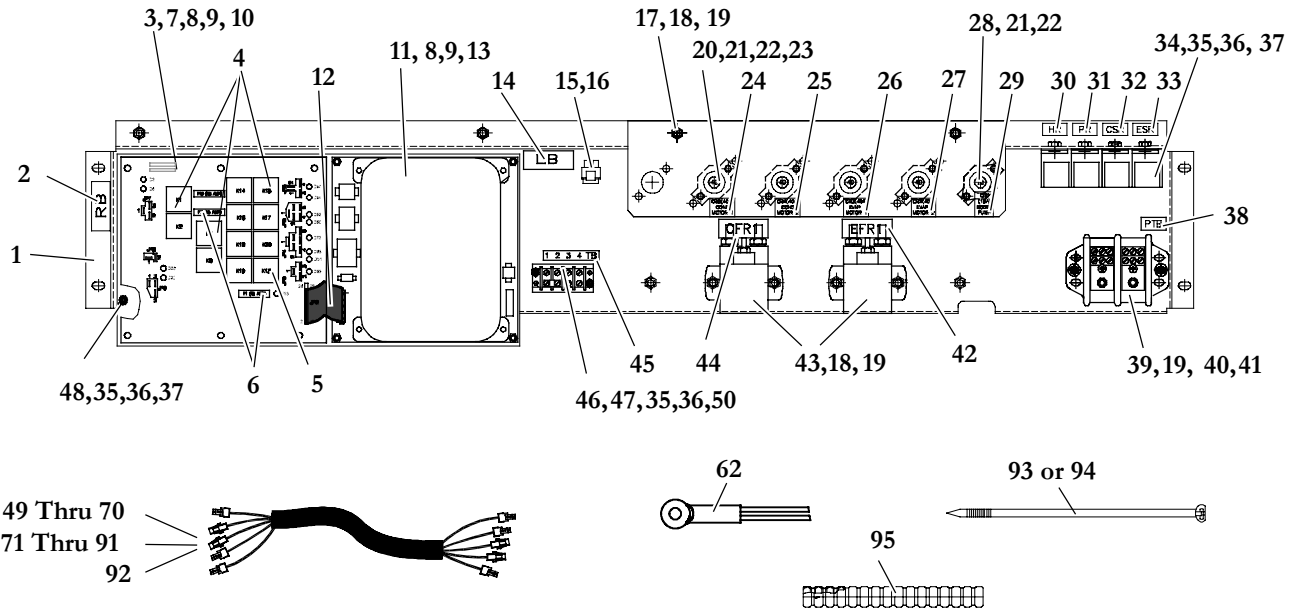


Item	Part Number	Description	Qty
60	22-62076-00	Wire Harness, Control (PM & WF) - Includes:	1
61	22-50144-00	Connector, Housing Kit, 4 Position (J1)	1
62	22-50153-00	Terminal, Socket, Female (J1)	4
63	CM983-618	Connector, 24 Position (J6)	1
64	22-50152-00	Terminal, Socket, Female (J6)	24
65	22-50135-00	Connector, Female, 3 Position (J7)	1
66	22-50148-00	Terminal, Female (J7, J8 & J9)	8
67	22-50134-00	Connector, Female, 2 Position (J8)	1
68	22-50275-00	Connector, Female, 3 Position (J9)	1
69	12-00495-02SV	Thermistor Kit, (Replacement For 12-00305-04)	1
70	22-62105-00	Wire Harness, Interface - Includes:	1
71	22-50146-00	Connector, 9 Position (J3)	1
72	22-50143-00	Connector, 15 Position (J4)	1
73	22-50152-00	Terminal, Socket, Female (J3 & J4)	7
74	22-50135-00	Connector, Female, 3 Position (JP3)	1
75	22-50136-00	Connector, Female, 6 Position (JP4)	1
76	22-50137-00	Connector, Female, 5 Position (JP5)	1
77	22-50138-00	Connector, Female, 4 Position (JP6)	1
78	22-50148-00	Terminal, Female (JP3, JP4, JP5 & JP6)	13
79	22-02392-00SV	Connector Kit, 2 Pin (WPF) - Includes:	1
80	NSS	Connector, 2 Pin, Black	1
81	22-02393-01	Terminal, Male (18-20 AWG)	2
82	22-02394-01	Seal, Cable	2
83	22-50122-05	Terminal, Female	6



3.7 Electrical Control Panel - Models 68RM55-101-12, -18, -20, -21

Kit 68RM55-131-21
 68RM55-131-22
 91-01166-03
 91-01166-04

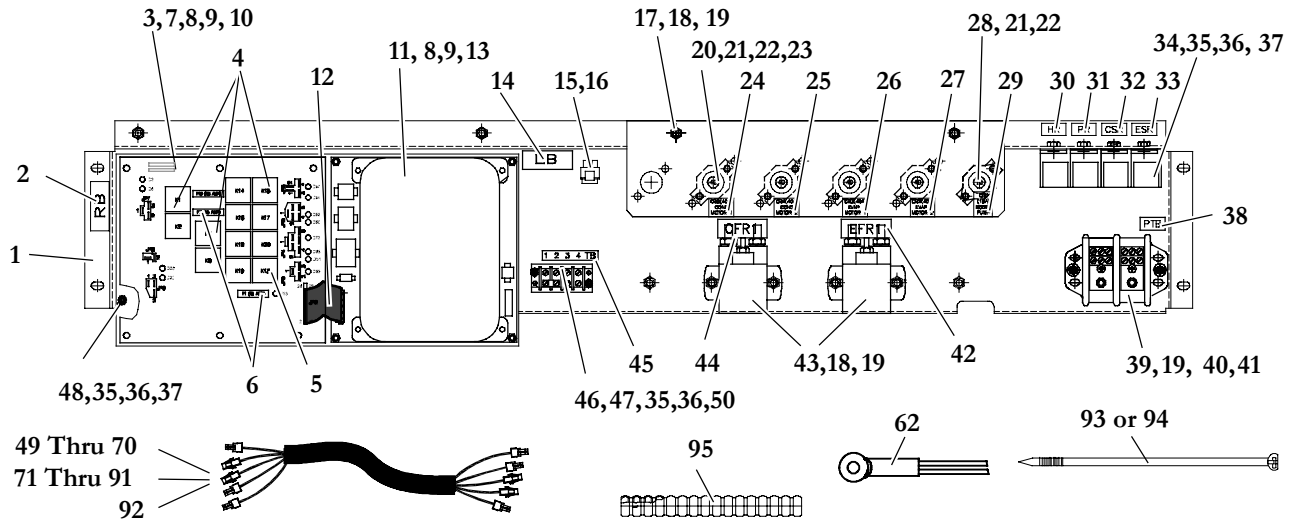


Item	Part Number	Description	Qty
1	68-62603-00	Panel Assembly, Electrical, Painted	1
2	62-62041-27	Label, RB	1
3	12-00371-01	Board, Relay - Includes:	1
4	10-00286-11	Relay, 24 VDC, 40 Amp, SPDT	11
5	10-00286-12	Relay, 24 VDC, 40 Amp, SPDT (K13 Only)	1
6	22-02336-06	Fuse, 15 AMP	3
7	34-62000-00	Spacer, Nylon, .50 Inch Long	6
8	58-00511-08	Washer, Nylon	10
9	34-00360-09	Nut, Hex, Self-Locking #10-32, Zinc Plated	10
10	42-62005-00	Gasket, Relay Board	1
11	12-00392-15	Module, Logic Controller 24VDC (300 PSI) - Includes:	1
12	22-50236-00	Harness, Ribbon Cable, 26 Pin (Logic Module to Relay Board)	1
13	34-62000-01	Spacer, Nylon, .25 Inch Long	4
14	62-62041-24	Label, LB	1
15	22-02336-04	Fuse, 10 AMP	1
16	22-01449-00	Clip, Wire & Cord	1
17	68-62604-00	Panel, Circuit Breaker, Painted	1
18	34-62055-00	Screw, Hex Head, W/Lockwasher, 1/4-20 x 0.63 Inch Long, SST	6
19	34-00662-11	Washer, Plain, 1/4 Inch, SST	8
20	10-00247-05	Breaker, Circuit - 40 AMP	4
21	34-06179-03	Bolt, Hex Head, Slotted, SEMS, #10-24 x 1.00 Inch Long, SST	10
22	34-00667-09	Nut, Hex, Self-Locking #10-24, SST	10
23	34-00662-09	Washer, Plain, #10, .032 Thick, SST	10
24	62-62043-06	Label, CB5 (40 A) Cond. Motor 1	1



3.7 Electrical Control Panel - Models 68RM55-101-12, -18, -20, -21 (Continued)

Kit 68RM55-131-21
 68RM55-131-22
 91-01166-03
 91-01166-04



Item	Part Number	Description	Qty
25	62-62043-04	Label, CB4 (40 A) Cond. Motor 2	1
26	62-62043-02	Label, CB3 (40 A) Evap. Motor 1	1
27	62-62043-00	Label, CB2 (40 A) Evap. Motor 2	1
28	10-00247-03	Breaker, Circuit - 15 AMP	1
29	62-62044-00	Label, CB1 (15 A) Boost Pump	1
30	62-62041-23	Label, HR	1
31	62-62041-25	Label, PR	1
32	62-62041-16	Label, CSR	1
33	62-62041-22	Label, ESR	1
34	10-00286-09	Relay, SPDT, 24VDC	4
35	34-00662-08	Washer, Plain, #8, .032 Thick, SST	12
36	34-00663-08	Washer, Split Lock, #8, SST	12
37	34-06264-04	Screw, Hex Head Slotted, #8-32 x 1/2 Inch Long, SST	10
38	62-62041-26	Label, PTB	1
39	22-01594-00	Terminal Block, Power	1
40	34-00655-08	Screw, Hex Head, 1/4-20 x 1.00 Inch Long, SST	2
41	34-00663-11	Washer, Split Lock, 1/4 Inch, SST	2
42	62-62041-20	Label, EFR1	1
43	10-00300-02	Contactora, 28 VDC, SPNO	2
44	62-62041-11	Label, CFR1	1
45	62-62040-04	Label, 1,2,3,4 TB	1
46	22-01563-05	Terminal Block, 4 Poles	1
47	22-01612-00	Jumper, Terminal Block	1
48	68RM40-157	Panel Assembly, Relay Board & Logic Module, Painted	1
49	22-02856-00	Wire Harness, Control (Rotron)(Models 101-12, -18 Only) - Includes:	1
50	34-06264-06	Screw, Hex Head Slotted, #8-32 x 3/4 Inch Long, SST	2
51	22-02905-00	Wire Harness, Control (Rotron)(Models 101-20, -21 Only) - Includes:	1

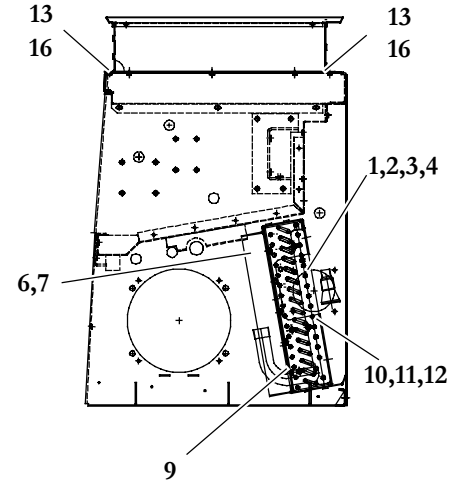
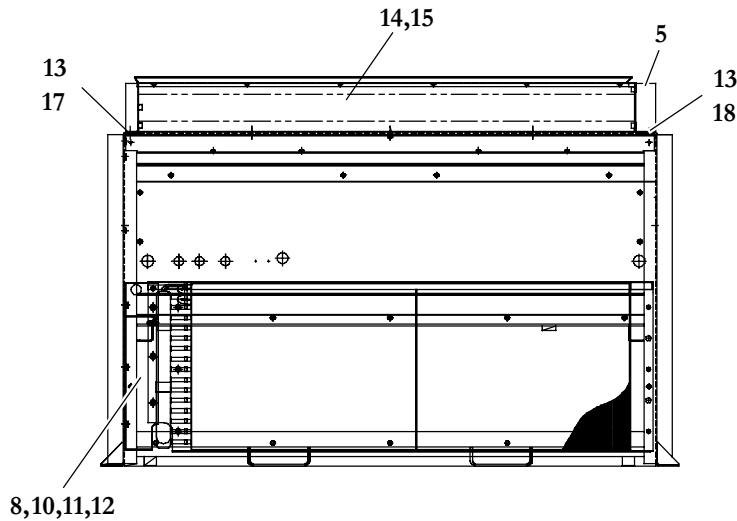


3.7 Electrical Control Panel - Models 68RM55-101-12, -18, -20, -21 (Continued)			
Item	Part Number	Description	Qty
52	22-50144-00	Connector, Housing Kit, 4 Position (J1)	1
53	22-50153-00	Terminal, Socket, Female (J1)	3
54	CM983-618	Connector, 24 Position (J6)	1
55	22-50152-00	Terminal, Socket, Female (J6)	14
56	22-50135-00	Connector, Female, 3 Position (JP7)	1
57	22-50346-00	Terminal, Female (JP7, JP9)	3
58	22-50134-00	Connector, Female, 2 Position (JP8)	1
59	22-50148-00	Terminal, Female (JP8)	4
60	22-50275-00	Connector, Female, 3 Position (JP9)	1
61	22-50347-00	Terminal, Female (JP7, JP9)	2
62	12-00495-02SV	Thermistor Kit, (Replacement For 12-00305-04)	2
63	22-50122-05	Terminal, Female (PR Relay)	6
64	22-01566-01	Terminal, Socket, Female (18-20 AWG)	4
65	22-50122-15	Terminal, Female (CSR & ESR Relay)	8
66	AC201-901	Connector, Relay (PR, CSR & ESR)	3
67	AC201-931	Lock, Connector (PR, CSR & ESR)	3
68	AC201-600	Diode, In-Line, 6 Amp (PR)	2
69	22-02336-04	Fuse, 10 Amp (PR)	1
70	22-02338-02	Holder, Fuse (PR)	1
71	22-02855-00	Wire Harness, Interface (68Rm55-101-12, -20 Only) - Includes:	1
	22-02893-00	Wire Harness, Interface (68Rm55-101-18, -21 Only) - Includes:	
72	22-50146-00	Connector, 9 Position (J3)	1
73	22-50143-00	Connector, 15 Position (J4)	1
74	22-50152-00	Terminal, Socket, Female (J3 & J4)	7
75	22-50135-00	Connector, Female, 3 Position (JP3)	1
76	22-50136-00	Connector, Female, 6 Position (JP4)	1
77	22-50137-00	Connector, Female, 5 Position (JP5)	1
78	22-50138-00	Connector, Female, 4 Position (JP6)	1
79	22-50148-00	Terminal, Female (JP3)	2
80	22-02392-00SV	Connector Kit, 2 Pin (WPF) - Includes:	1
81	NSS	Connector, 2 Pin, Black	1
82	22-02393-01	Terminal, Male (18-20 AWG)	2
83	22-02394-01	Seal, Cable	2
84	22-50122-05	Terminal, Female	4
85	22-01566-01	Terminal, Socket, Female (18-20 AWG)	18
86	22-50346-00	Terminal, Female (JP4, JP5 & JP6)	8
87	22-50347-00	Terminal, Female (JP4 & JP5)	A/R
88	22-50122-15	Terminal, Female (HR)	A/R
89	AC201-901	Connector, Relay (HR)	1
90	AC201-931	Lock, Connector (HR)	1
91	AC201-600	Diode, In-Line, 6 Amp (PR)	1
92	22-62080-00	Wire Harness, Power	1
93	66U1-3882	Wire Tie, Self-Locking, 7.00 Inches, Black	10
94	58-00079-00	Wire Tie, Self-Locking, 15.00 Inches, Black	5
95	58-00850-00	Tubing, Split, Corrugated, 0.92 Inch ID x 75 Feet Long	1



4 COIL KIT

**Kit 68RM55-107-9
68RM55-107-10
68RM55-107-11
68RM55-107-13**



4.1 Coil Kit - Model 68RM55-100-17

Item	Part Number	Description	Qty
1	08-62011-00	Coil Assembly, Evaporator (Aluminum/Copper) - Includes:	1
2	40-01124-00	Body, Valve, Schrader, Brass 1/4 SAE Flare - Includes:	1
3	DD19CA061	Cap, Seal, Flare, 1/4 Inch	1
4	14-00351-00	Core, Access Valve (Nickel Plated)	1
5	08-62008-01	Coil Assembly, Condenser (Aluminum/Copper)	1
6	08-00192-02	Coil Assembly, Heater (Aluminum/Copper) - Includes:	1
7	40-00081-00	Fitting, Air Vent, 1/8 MPT, Brass	1
8	68RM55-120P	Bracket Weld Assembly, Painted	1
9	68RM55-122P	Bracket Assembly, Evaporator Coil, Painted	1
10	34-00792-06	Screw, Hex Head, 5/16-18 x 3/4 Inch Long, SST	29
11	34-00662-12	Washer, Flat, 5/16 Inch, SST	29
12	34-00663-12	Washer, Split Lock, 5/16 Inch, SST	29
13	AC801-414	Gasket, Foam, 3/8 x 1.00 (25 Feet Roll)	1
14	68RM55-216P	Flange Assembly, Shroud, Painted	1
15	66U1-9122	Rivet, Pop, Closed End, 5/32 Dia., Grip Range: .062-.250	10

4.2 Coil Kit - Models 68RM55-100-22, -23, -24, -25

1	08-62019-00	Coil Assembly, Evaporator - Includes:	1
2	40-01124-00	Body, Valve, Schrader, Brass 1/4 SAE Flare - Includes:	1
3	DD19CA061	Cap, Seal, Flare, 1/4 Inch	1
4	14-00351-00	Core, Access Valve (Nickel Plated)	1
5	08-62025-01	Coil Assembly, Condenser (Aluminum/Copper Precoated)	1
6	AC101-620	Coil Assembly, Heater (Aluminum/Copper) - Includes:	1
7	40-00081-00	Fitting, Air Vent, 1/8 MPT, Brass	1
8	68RM55-183P	Bracket Assembly, Evaporator Coil, Roadside, Painted	1

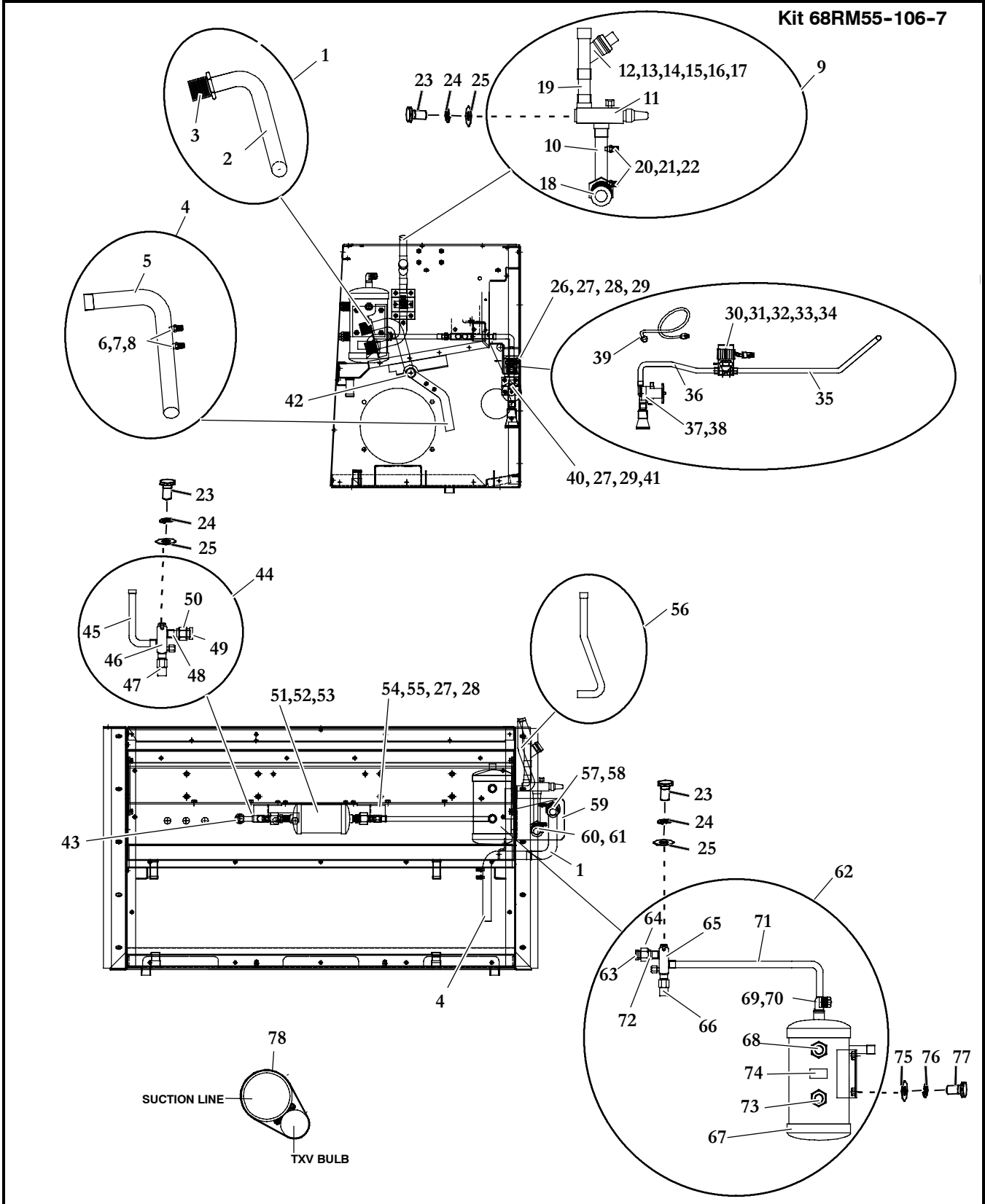


4.2 Coil Kit - Models 68RM55-100-22, -23, -24, -25 (Continued)			
Item	Part Number	Description	Qty
9	68RM55-184P	Bracket Assembly, Evaporator Coil, Curbside, Painted	1
10	34-00792-06	Screw, Hex Head, 5/16-18 x 3/4 Inch Long, SST	28
11	34-00662-12	Washer, Flat, 5/16 Inch, SST	28
12	34-00663-12	Washer, Split Lock, 5/16 Inch, SST	28
14	86-62174-00	Flange Assembly, Shroud, Painted	1
15	66U1-9122	Rivet, Pop, Closed End, 5/32 Dia., Grip Range: .062-.250	17
16	42-62022-00	Gasket, Coil, Neoprene, .125 Thick x 1.00 x 51.16 Inches Long, Adhesive Backed	2
17	42-62023-00	Gasket, Coil, Neoprene, .125 Thick x 1.00 x 20.25 Inches Long, Adhesive Backed	1
18	42-62024-00	Gasket, Coil, Neoprene, .125 Thick x 1.00 x 20.25 Inches Long, Adhesive Backed	1
4.3 Coil Kit - Model 68RM55-101-3			
1	08-62019-00	Coil Assembly, Evaporator - Includes:	1
2	40-01124-00	Body, Valve, Schrader, Brass 1/4 SAE Flare - Includes:	1
3	DD19CA061	Cap, Seal, Flare, 1/4 Inch	1
4	14-00351-00	Core, Access Valve (Nickel Plated)	1
5	08-62002-00	Coil Assembly, Condenser (Aluminum/Copper)	1
6	AC101-620	Coil Assembly, Heater (Aluminum/Copper) - Includes:	1
7	40-00081-00	Fitting, Air Vent, 1/8 MPT, Brass	1
8	68RM55-183P	Bracket Assembly, Evaporator Coil, Roadside	1
9	68RM55-184P	Bracket Assembly, Evaporator Coil, Curbside	1
10	34-00792-06	Screw, Hex Head, 5/16-18 x 3/4 Inch Long, SST	27
11	34-00662-12	Washer, Flat, 5/16 Inch, SST	27
12	34-00663-12	Washer, Split Lock, 5/16 Inch, SST	27
14	68RM55-216P	Flange Assembly, Shroud, Painted	1
15	66U1-9122	Rivet, Pop, Closed End, 5/32 Dia., Grip Range: .062-.250	10
4.4 Coil Kit - Models 68RM55-101-4, -5, -6, -7, -8, -9, -10, -11, -12, -15, -16, -17, -18, -19, -20, -21, -23, -24, -25, -26			
1	08-62019-00	Coil Assembly, Evaporator - Includes:	1
2	40-01124-00	Body, Valve, Schrader, Brass 1/4 SAE Flare - Includes:	1
3	DD19CA061	Cap, Seal, Flare, 1/4 Inch	1
4	14-00351-00	Core, Access Valve (Nickel Plated)	1
5	08-62022-01	Coil Assembly, Condenser (Aluminum/Copper Precoated)	1
6	AC101-620	Coil Assembly, Heater (Aluminum/Copper) - Includes:	1
7	40-00081-00	Fitting, Air Vent, 1/8 MPT, Brass	1
8	68RM55-183P	Bracket Assembly, Evaporator Coil, Roadside, Painted	1
9	68RM55-184P	Bracket Assembly, Evaporator Coil, Curbside, Painted	1
10	34-00792-06	Screw, Hex Head, 5/16-18 x 3/4 Inch Long, SST	28
11	34-00662-12	Washer, Flat, 5/16 Inch, SST	28
12	34-00663-12	Washer, Split Lock, 5/16 Inch, SST	28
14	86-62174-00	Flange Assembly, Shroud, Painted	1
15	66U1-9122	Rivet, Pop, Closed End, 5/32 Dia., Grip Range: .062-.250	17
16	42-62022-00	Gasket, Coil, Neoprene, .125 Thick x 1.00 x 51.16 Inches Long, Adhesive Backed	2
17	42-62023-00	Gasket, Coil, Neoprene, .125 Thick x 1.00 x 20.25 Inches Long, Adhesive Backed	1
18	42-62024-00	Gasket, Coil, Neoprene, .125 Thick x 1.00 x 20.25 Inches Long, Adhesive Backed	1



5 REFRIGERANT PIPING KIT - R-22 MODELS

5.1 Refrigerant Piping Kit - Model 68RM55-100-17



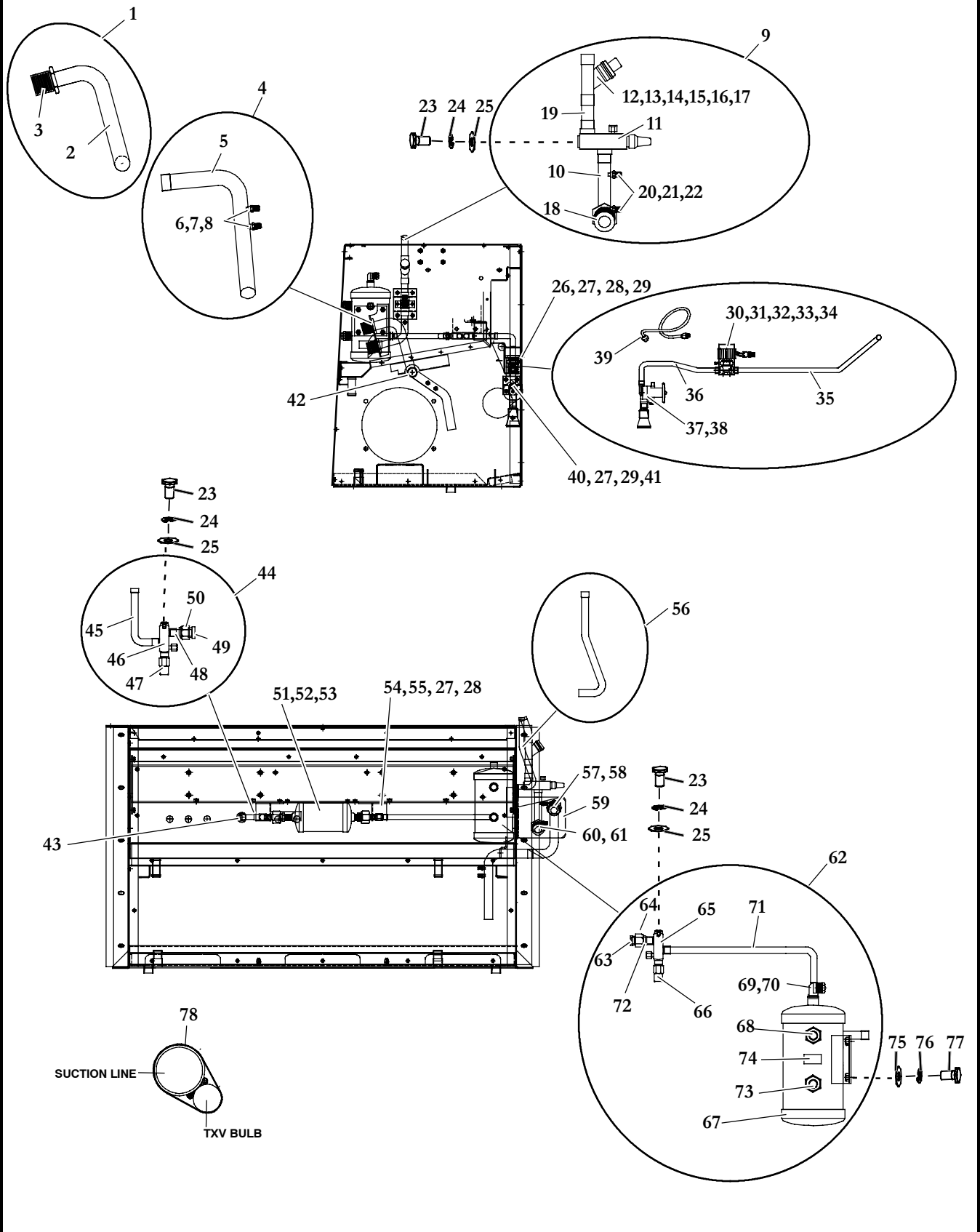


5.1 Refrigerant Piping Kit - Model 68RM55-100-17 (Continued)			
Item	Part Number	Description	Qty
1	68RM55-127	Tube Assembly, Suction - Includes:	1
2	56-62032-00	Tube, Suction, Bent, 1-1/8 OD x .050 Wall Copper	1
3	40-00491-01	Fitting, ORS, 1-1/8 ODF x 1-11/16-12	1
4	68RM55-128	Tube Assembly, Suction - Includes:	1
5	56-62033-00	Tube, Suction, Bent, 1-1/8 OD x .050 Wall Copper	1
6	40-01124-00	Body, Valve, Schrader, Brass 1/4 SAE Flare - Includes:	2
7	DD19CA061	Cap, Seal, Flare, 1/4 Inch	1
8	14-00351-00	Core, Access Valve (Nickel Plated)	1
9	68RM55-129	Discharge Tube & Valve Assembly - Includes:	1
10	56-62017-00	Tube, Discharge, Bent, 7/8 OD x .045 Wall Copper	1
11	14-00196-00	Valve, Shutoff, Discharge, 7/8 ODS	1
12	14-00281-04	Valve, Check, 7/8 ODF - Includes:	1
13	14-50050-01	Spring And Piston/Seat Assembly - Includes:	1
14	73-50006-00	Spring, Check Valve, SST	1
15	16-03301-00	Gasket, Check Valve	1
16	14-50093-00	Disk, Spacer, Check Valve Cap	1
17	14-50051-00	Cap, Check Valve	1
18	40-00491-00	Fitting, ORS, 7/8 x 1-7/16 -12, Brass	1
19	56-00145-26	Tube, Straight, 7/8 OD x .040W Copper x 2.50 Inches Long	1
20	40-01124-00	Body, Valve, Schrader, Brass 1/4 SAE Flare - Includes:	2
21	DD19CA061	Cap, Seal, Flare, 1/4 Inch	1
22	14-00351-00	Core, Access Valve (Nickel Plated)	1
23	34-00799-04	Screw, Hex Head, 5/16-24 x 0.50 Inch Long, SST	2
24	34-00663-12	Washer, Split Lock, 5/16 Inch, SST	2
25	34-00662-12	Washer, Flat, 5/16 Inch, SST	2
26	68-62085-00	Bracket, Support, Solenoid Valve, Painted	1
27	34-00662-11	Washer, Flat, 1/4 Inch, SST	8
28	34-00663-11	Washer, Split Lock, 1/4 Inch, SST	6
29	34-00655-06	Screw, Hex Head, 1/4-20 x 3/4 Inch Long, SST	4
30	14-00236-00	Valve, Solenoid, 5/8 ODF x 7/8 ODM - Includes:	1
31	14-00236-50	Coil, Solenoid Valve, 24 VDC	1
32	14-00236-51	Repair Kit, Solenoid Valve	1
33	34-06264-04	Screw, Hex Head, Slotted With Washer, #8-32 x 0.50 Inch Long, SST	2
34	34-00663-08	Washer, Split Lock, #8, SST	2
35	56-62026-00	Tube, Liquid, Bent, 5/8 OD x .040 Wall Copper (Valve to LSV)	1
36	56-62027-00	Tube, Liquid, Bent, 5/8 OD x .040 Wall Copper (Solenoid to TXV)	1
37	66U1-1214-5	Body, Flange, Thermal Expansion Valve, 5/8 ODF Inlet x 7/8 ODF Outlet	1
38	14-01104-52	Valve, Thermal Expansion, Less Flange, 5 Tons, R-22	1
39	56-62207-00	Tube Assembly, Equalizer, 1/4 OD x .028 Wall Copper	1
40	68-62141-00	Bracket, Support, TXV, Painted	1
41	34-00667-11	Nut, Hex, Self-Locking, 1/4-20, SST	2
42	58-00065-87	Grommet, 1.12 ID x 1.44 Hole, 0.156 Inch Groove	1
43	AC801-606	Grommet, 0.68 ID x 1.00 Hole, 0.250 Inch Groove	1



5.1 Refrigerant Piping Kit - Model 68RM55-100-17 (Continued)

Kit 68RM55-106-7

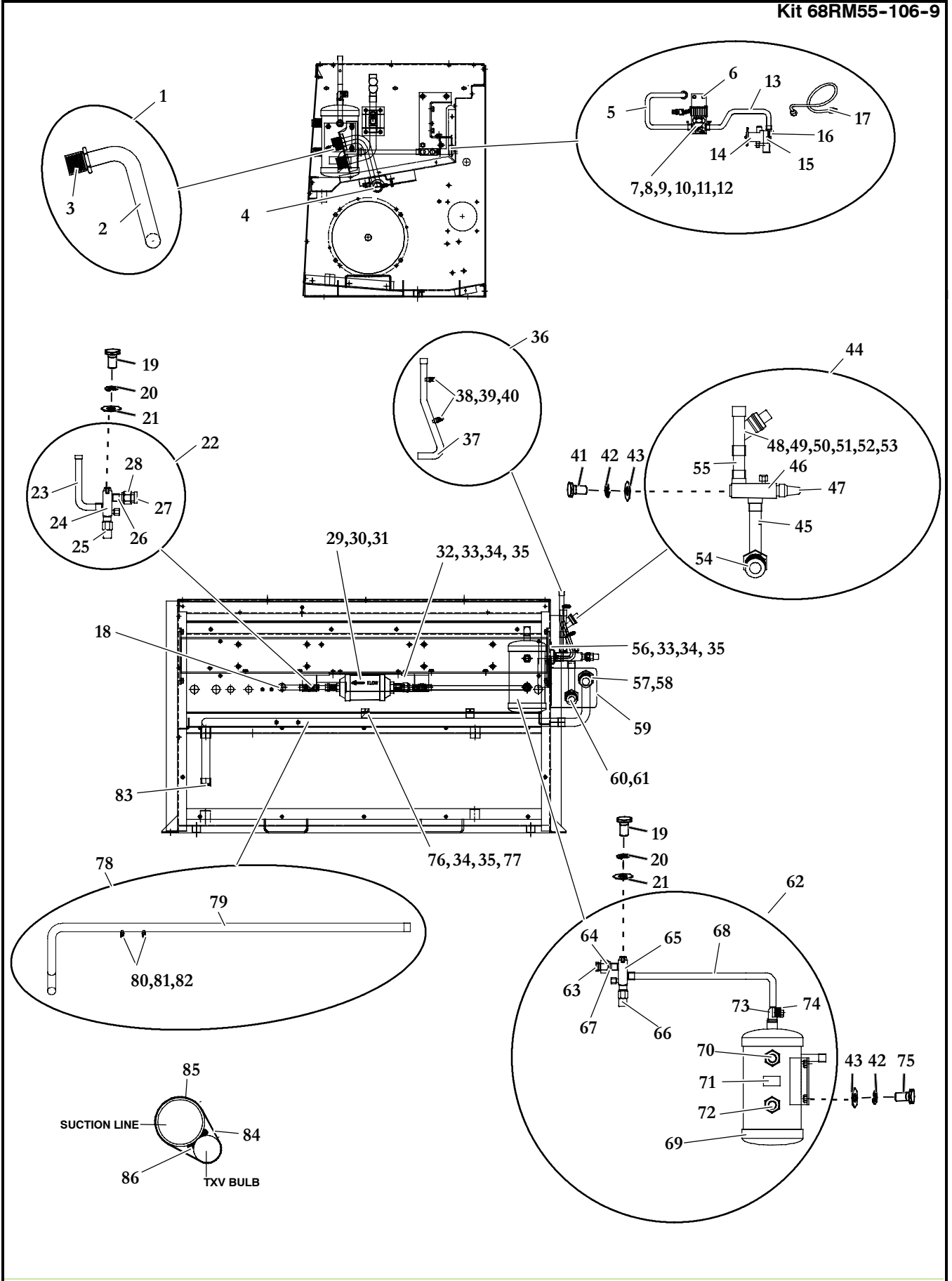




5.1 Refrigerant Piping Kit - Model 68RM55-100-17 (Continued)			
Item	Part Number	Description	Qty
44	68RM55-137	Valve and Tube Assembly - Includes:	1
45	68RM55-1017	Tube, Liquid, Bent, 5/8 OD x .040 Wall Copper	1
46	40-00501-06	Valve, King, Brass, 5/8 ODF	1
47	40-00501-50	Cap, King Valve, Service Part	1
48	56-00143-78	Tube, Straight, 5/8 OD x .040W Copper x 2.06 Inches Long	1
49	40-00503-03	Collar, Tube - 10, 5/8 ORS, Brass	1
50	34-06121-03	Nut, Hex, ORS Braze (1.00 -14 Threads)	1
51	14-00320-00	Drier, Filter 3/4 ORS x 5/8 ORS - Includes:	1
52	42-00243-03	O-Ring, .614 ID x .070 Thick	1
53	42-00243-11	O-Ring, .739 ID x .070 Thick	1
54	68RM35-1112P	Bracket, Support, King Valves, Painted	1
55	34-00655-08	Screw, Hex Head, 1/4-20 x 1.00 Inch Long, SST	4
56	68RM55-1025	Tube, Liquid, Bent, 5/8 OD x .040 Wall Copper	1
57	34-06088-01	Nut, Hex Head, ORS 1.125 x 1.69-12, Plated Steel	1
58	42-00243-01	O-Ring, 1.17 ID x 0.139 Thick	1
59	68RM55-1005P	Bracket, Support, Suction & Discharge Tube, Painted	1
60	34-06088-00	Nut, Hex Head, ORS 0.88 x 1.43-12, Plated Steel	1
61	42-00243-00	O-Ring, 0.921 ID x 0.139 Thick	1
62	68RM55-138-2	Receiver Tank & Liquid Tubing Assembly - Includes:	1
63	40-00503-04	Collar, Tube - 5/8 ORS, Nickel Plated Steel	1
64	34-06121-04	Nut, Hex, ORS Braze(1-3/16-12 Threads)	1
65	40-00501-06	Valve, King, Brass, 5/8 ODF	1
66	40-00501-50	Cap, King Valve, Service Part	1
67	65-01093-00	Receiver Assembly, Plugged, Painted	1
68	14-00111-00	Sight Glass, Receiver, (Red Ball Float)	1
69	40-00060-03	Elbow, Street, 90 Degree, 3/8 FPT x 3/8 MPT	1
70	14-01032-01	Plug, Fusible, Safety, 3/8 NPTF	1
71	56-00143-78	Tube, Straight, 5/8 OD x .040W Copper x 2.06 Inches Long	1
72	56-62029-00	Tube, Liquid, Bent, 5/8 OD x .040 Wall Copper	1
73	AC101-203	Sightglass, Indicator, Moisture, 7/8-14	1
74	AC901-580	Label, Sightglass Wet/Dry	1
75	34-00807-08	Screw, Hex Head, 3/8 -16 x 1.00 Inch Long, SST	4
76	34-00662-13	Washer, Flat, 3/8 Inch, SST	4
77	34-00663-13	Washer, Split Lock, 3/8 Inch, SST	4
78	42-00032-00	Tape, Insulation, Presssite, 2.00 Inches x 30.00 Feet Long	1



5.2 Refrigerant Piping Kit - Models 68RM55-100-22, -23, -24, -25



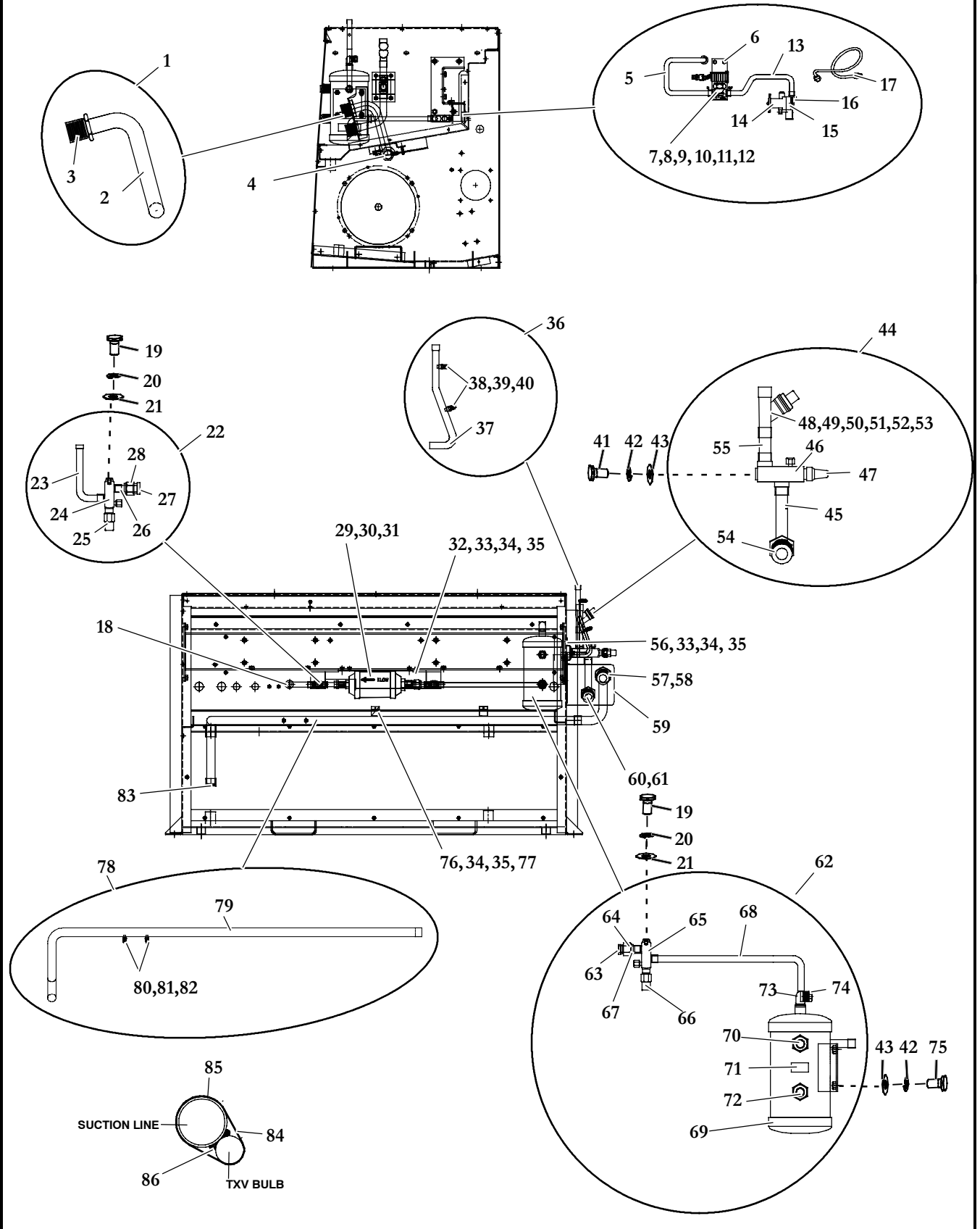


5.2 Refrigerant Piping Kit - Models 68RM55-100-22, -23, -24, -25 (Continued)			
Item	Part Number	Description	Qty
1	81-62068-00	Tube Assembly, Suction - Includes:	1
2	56-62142-00	Tube, Suction, Bent, 1-1/8 OD x .050 Wall Copper	1
3	40-00491-01	Fitting, ORS, 1-1/8 ODF x 1-11/16-12	1
4	58-00065-85	Grommet, 0.88 ID x 1.12 Hole, 0.090 Inch Groove	2
5	56-62089-00	Tube, Liquid, Bent, 5/8 OD x .040 Wall Copper (Valve to LSV)	1
6	68-62158-01	Bracket, Support, Solenoid Valve, Painted	1
7	14-00236-00	Valve, Solenoid, 5/8 ODF x 7/8 ODM - Includes:	1
8	14-00236-50	Coil, Solenoid Valve, 24 VDC	1
9	14-00236-51	Repair Kit, Solenoid Valve	1
10	34-06264-03	Screw, Hex Head, Slotted With Washer, #8-32 x 0.38 Inch Long, SST	2
11	34-00663-08	Washer, Split Lock, #8, SST	2
12	34-00662-08	Washer, Flat, #8, SST	2
13	56-62141-00	Tube, Liquid, Bent, 5/8 OD x .040 Wall Copper (LSV to TXV)	1
14	14-01104-52	Valve, Thermal Expansion, Less Flange, 5 Tons, R-22	1
15	66U1-1214-5	Body, Flange, Thermal Expansion Valve, 5/8 ODF Inlet x 7/8 ODF Outlet	1
16	68-62638-01	Bracket, Support, TXV, Painted	1
17	56-62207-00	Tube Assembly, Equalizer, 1/4 OD x .028 Wall Copper	1
18	58-00065-52	Grommet, 1.50 ID x 1.75 Hole, 0.120 Inch Groove	1
19	34-00799-04	Screw, Hex Head, 5/16-24 x 0.50 Inch Long, SST	2
20	34-00663-12	Washer, Split Lock, 5/16 Inch, SST	2
21	34-00662-12	Washer, Flat, 5/16 Inch, SST	2
22	81-62066-00	Valve and Tube Assembly, Liquid - Includes:	1
23	56-03843-06	Tube, Liquid, Bent, 5/8 OD x .040 Wall Copper	1
24	40-00501-06	Valve, King, Brass, 5/8 ODF	1
25	40-00501-50	Cap, King Valve, Service Part	1
26	56-00143-78	Tube, Straight, 5/8 OD x .040W Copper x 2.06 Inches Long	1
27	40-00503-03	Collar, Tube - 10, 5/8 ORS, Brass	1
28	34-06121-03	Nut, Hex, ORS Braze (1.00 -14 Threads)	1
29	14-00320-00	Drier, Filter 3/4 ORS x 5/8 ORS - Includes:	1
30	42-00243-03	O-Ring, .614 ID x .070 Thick	1
31	42-00243-11	O-Ring, .739 ID x .070 Thick	1
32	68RM35-1112P	Bracket, Support, King Valves, Painted	1
33	34-00655-06	Screw, Hex Head, 1/4-20 x 3/4 Inch Long, SST	10
34	34-00662-11	Washer, Flat, 1/4 Inch, SST	12
35	34-00663-11	Washer, Split Lock, 1/4 Inch, SST	12
36	68RM55-233	Tube Assembly, Liquid - Includes:	1
37	68RM55-1025-1	Tube, Liquid, Bent, 5/8 OD x .040W Copper	1
38	40-01124-00	Body, Valve, Schrader, Brass 1/4 SAE Flare - Includes:	2
39	DD19CA061	Cap, Seal, Flare, 1/4 Inch	1
40	14-00351-00	Core, Access Valve (Nickel Plated)	1
41	34-00855-04	Screw, Cap Hex Head, 3/8 -24 x 0.50 Inch Long, SST	1
42	34-00663-13	Washer, Split Lock, 3/8 Inch, SST	5
43	34-00662-13	Washer, Flat, 3/8 Inch, SST	5



5.2 Refrigerant Piping Kit - Models 68RM55-100-22, -23, -24, -25 (Continued)

Kit 68RM55-106-9



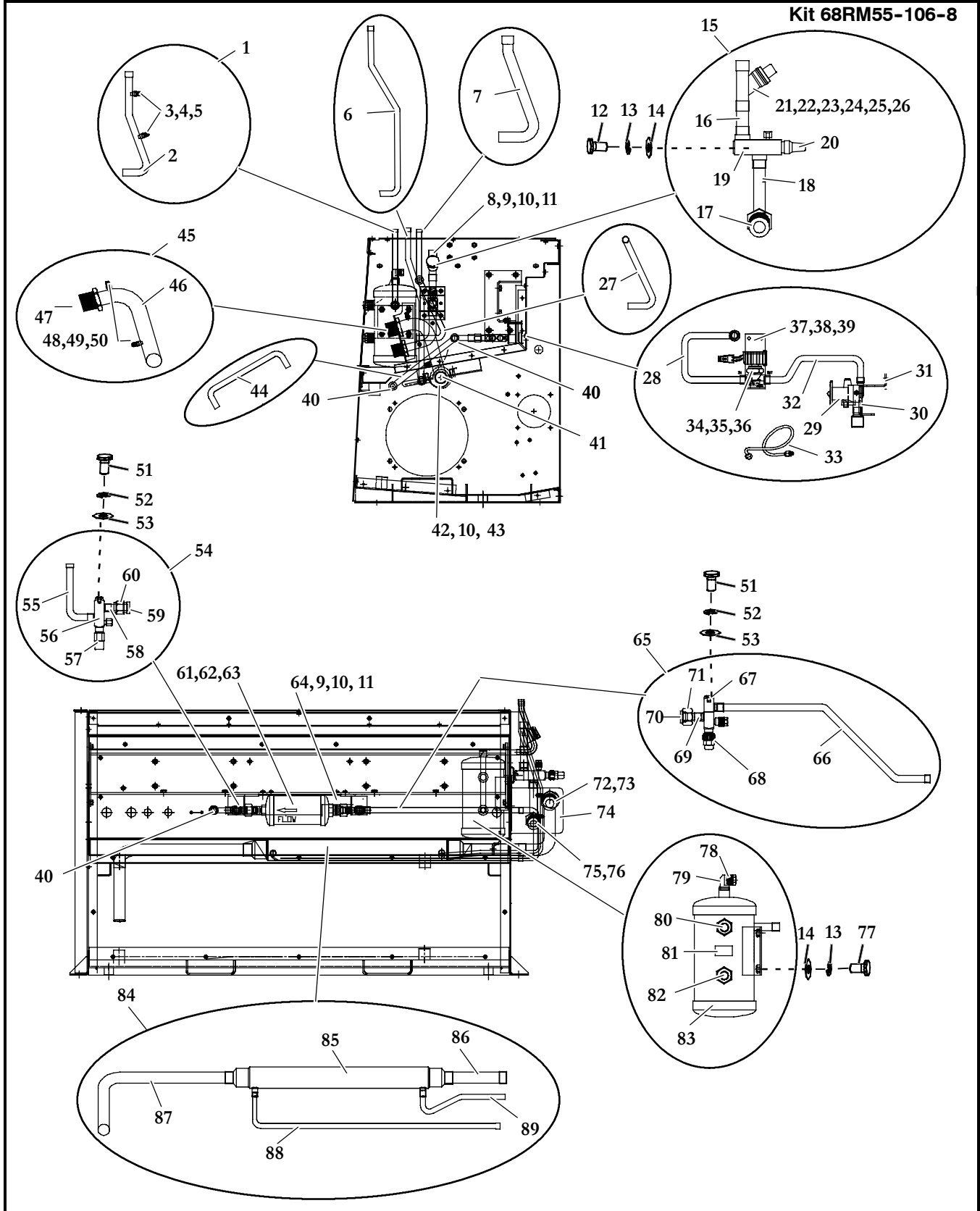


5.2 Refrigerant Piping Kit - Models 68RM55-100-22, -23, -24, -25 (Continued)			
Item	Part Number	Description	Qty
44	81-62067-00	Discharge Tube & Valve Assembly - Includes:	1
45	56-62017-01	Tube, Discharge, Bent, 7/8 OD x .045 Wall Copper	1
46	40-00501-08	Valve, King, Brass, 7/8 ODF	1
47	40-00501-50	Cap, King Valve, Service Part	1
48	14-00281-04	Valve, Check, 7/8 ODF - Includes:	1
49	14-50050-01	Spring And Piston/Seat Assembly - Includes:	1
50	73-50006-00	Spring, Check Valve, SST	1
51	16-03301-00	Gasket, Check Valve	1
52	14-50093-00	Disk, Spacer, Check Valve Cap	1
53	14-50051-00	Cap, Check Valve	1
54	40-00491-00	Fitting, ORS, 7/8 x 1-7/16-12, Brass	1
55	56-00145-26	Tube, Straight, 7/8 OD x .040W Copper x 2.50 Inches Long	1
56	68-62523-00	Bracket, Support, King Valve, Painted	1
57	34-06088-01	Nut, Hex Head, ORS 1.125 x 1.69-12, Plated Steel	1
58	42-00243-01	O-Ring, 1.17 ID x 0.139 Thick	1
59	68-62640-00	Bracket, Support, Suction & Discharge Tube, Painted	1
60	34-06088-00	Nut, Hex Head, ORS 0.88 x 1.43-12, Plated Steel	1
61	42-00243-00	O-Ring, 0.921 ID x 0.139 Thick	1
62	81-62065-00	Receiver Tank & Liquid Tubing Assembly - Includes:	1
63	40-00503-04	Collar, Tube - 5/8 ORS, Nickel Plated Steel	1
64	34-06121-04	Nut, Hex, ORS Braze(1-3/16-12 Threads)	1
65	40-00501-06	Valve, King, Brass, 5/8 ODF	1
66	40-00501-50	Cap, King Valve, Service Part	1
67	56-00143-78	Tube, Straight, 5/8 OD x .040W Copper x 2.06 Inches Long	1
68	56-62140-00	Tube, Liquid, Bent, 5/8 OD x .040 Wall Copper (King Valve to Receiver)	1
69	65-01093-00	Receiver Assembly, Plugged, Painted	1
70	14-00111-00	Sight Glass, Receiver, (Red Ball Float)	1
71	AC901-580	Label, Sightglass Wet/Dry	1
72	AC101-203	Sightglass, Indicator, Moisture, 7/8-14	1
73	40-00060-03	Elbow, Street, 90 Degree, 3/8 FPT x 3/8 MPT	1
74	14-01032-01	Plug, Fusible, Safety, 3/8 NPTF	1
75	34-00807-08	Screw, Hex Head, 3/8 -16 x 1.00 Inch Long, SST	4
76	44-00337-12	Clamp, Loom, Insulated, 1-1/8 Inch	2
77	34-00666-11	Nut, Hex Head, 1/4-20, SST	2
78	81-62069-00	Tube Assembly, Suction - Includes:	1
79	56-62143-00	Tube, Suction, Bent, 1-1/8 OD x .050 Wall Copper	1
80	40-01124-00	Body, Valve, Schrader, Brass 1/4 SAE Flare - Includes:	2
81	DD19CA061	Cap, Seal, Flare, 1/4 Inch	1
82	14-00351-00	Core, Access Valve (Nickel Plated)	1
83	40-00201-15	Bushing, Flush, 1-3/8 ODM x 1-1/8 ODS	1
84	44-00045-03	Clamp, Hose, Worm Type (7/8 - 1-3/4)	2
85	42-00032-00	Tape, Insulation, Presstite, 2.00 Inches x 30.00 Feet Long	1
86	02-00010-01	Grease, Thermomastic, 6cc Syringe	1



6 REFRIGERANT PIPING KIT - R-134a MODELS

6.1 Refrigerant Piping Kit - Models 68RM55-101-3, -4, -5



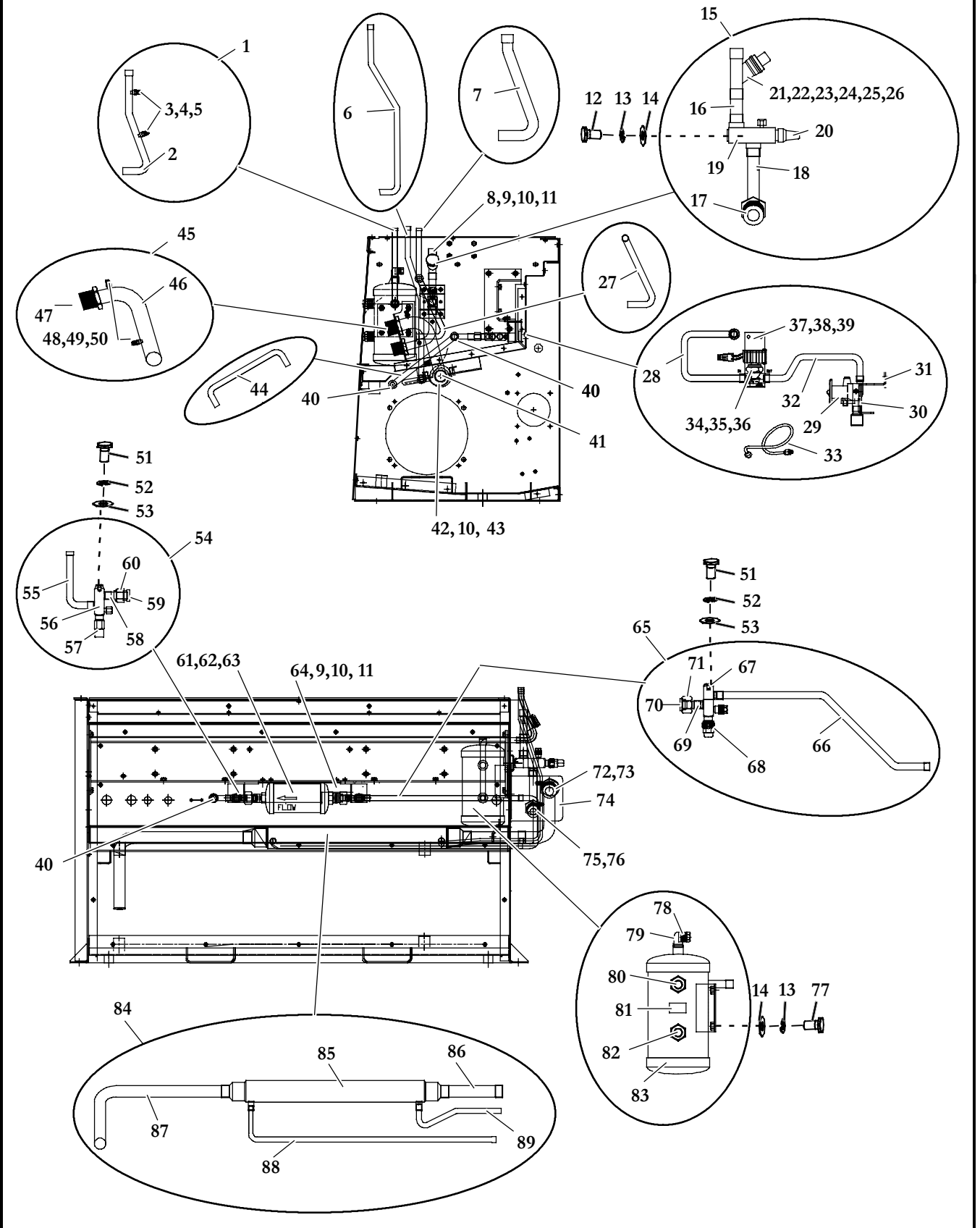


6.1 Refrigerant Piping Kit - Models 68RM55-101-3, -4, -5 (Continued)			
Item	Part Number	Description	Qty
1	68RM55-233	Tube Assembly, Liquid - Includes:	1
2	68RM55-1025-1	Tube, Liquid, Bent, 5/8 OD x .040W Copper	1
3	40-01124-00	Body, Valve, Schrader, Brass 1/4 SAE Flare - Includes:	2
4	DD19CA061	Cap, Seal, Flare, 1/4 Inch	1
5	14-00351-00	Core, Access Valve (Nickel Plated)	1
6	68RM55-1112	Tube, Liquid, Bent, 5/8 OD x .040 Wall Copper	1
7	68RM55-1175	Tube, Liquid, Bent, 5/8 OD x .040 Wall Copper	1
8	68-62523-00	Bracket, Support, King Valve, Painted	1
9	34-00655-06	Screw, Hex Head, 1/4-20 x 3/4 Inch Long, SST	10
10	34-00662-11	Washer, Flat, 1/4 Inch, SST	14
11	34-00663-11	Washer, Split Lock, 1/4 Inch, SST	14
12	34-00855-04	Screw, Cap Hex Head, 3/8 -24 x 0.50 Inch Long, SST	1
13	34-00663-13	Washer, Split Lock, 3/8 Inch, SST	5
14	34-00662-13	Washer, Flat, 3/8 Inch, SST	5
15	68RM55-181	Discharge Tube & Valve Assembly - Includes:	1
16	56-00145-26	Tube, Discharge, Straight, 7/8 OD x .045 Wall Copper x 2.50 Inches Long	1
17	40-00491-00	Fitting, ORS, 7/8 x 1-7/16 -12, Brass	1
18	56-62017-01	Tube, Discharge, Bent, 7/8 OD x .045 Wall Copper	1
19	40-00501-07	Valve, King, Brass, 7/8 ODF	1
20	40-00501-50	Cap, King Valve, Service Part	1
21	14-00281-04	Valve, Check, 7/8 ODF - Includes:	1
22	14-50050-01	Spring And Piston/Seat Assembly - Includes:	1
23	73-50006-00	Spring, Check Valve, SST	1
24	16-03301-00	Gasket, Check Valve	1
25	14-50093-00	Disk, Spacer, Check Valve Cap	1
26	14-50051-00	Cap, Check Valve	1
27	68RM55-1111	Tube, Liquid, Bent, 5/8 OD x .040 Wall Copper	1
28	56-62089-00	Tube, Liquid, Bent, 5/8 OD x .040 Wall Copper (Valve to LSV)	1
29	14-01104-44	Valve, Thermal Expansion, Less Flange, 5.5 Tons, R-134a	1
30	66U1-1214-5	Body, Flange, Thermal Expansion Valve, 5/8 ODF Inlet x 7/8 ODF Outlet	1
31	68-62638-01	Bracket, Support, TXV, Painted	1
32	56-62088-00	Tube, Liquid, Bent, 5/8 OD x .040 Wall Copper (Solenoid to TXV)	1
33	56-62207-00	Tube Assembly, Equalizer, 1/4 OD x .028 Wall Copper	1
34	14-00236-00	Valve, Solenoid, 5/8 ODF x 7/8 ODM - Includes:	1
35	14-00236-50	Coil, Solenoid Valve, 24 VDC	1
36	14-00236-51	Repair Kit, Solenoid Valve	1
37	68-62158-01	Bracket, Support, Solenoid Valve, Painted	1
38	34-06264-03	Screw, Hex Head, Slotted With Washer, #8-32 x 0.38 Inch Long, SST	2
39	34-00663-08	Washer, Split Lock, #8, SST	2
40	58-00065-85	Grommet, 0.88 ID x 1.12 Hole, 0.090 Inch Groove	5
41	58-00065-52	Grommet, 1.50 ID x 1.75 Hole, 0.120 Inch Groove	1
42	68RM40-1188	Bracket, Heat Exchanger, SST	2
43	34-00666-11	Nut, Hex Head, 1/4-20, SST	4
44	68RM55-1115	Tube, Liquid, Bent, 5/8 OD x .040 Wall Copper	1



6.1 Refrigerant Piping Kit - Models 68RM55-101-3, -4, -5 (Continued)

Kit 68RM55-106-8

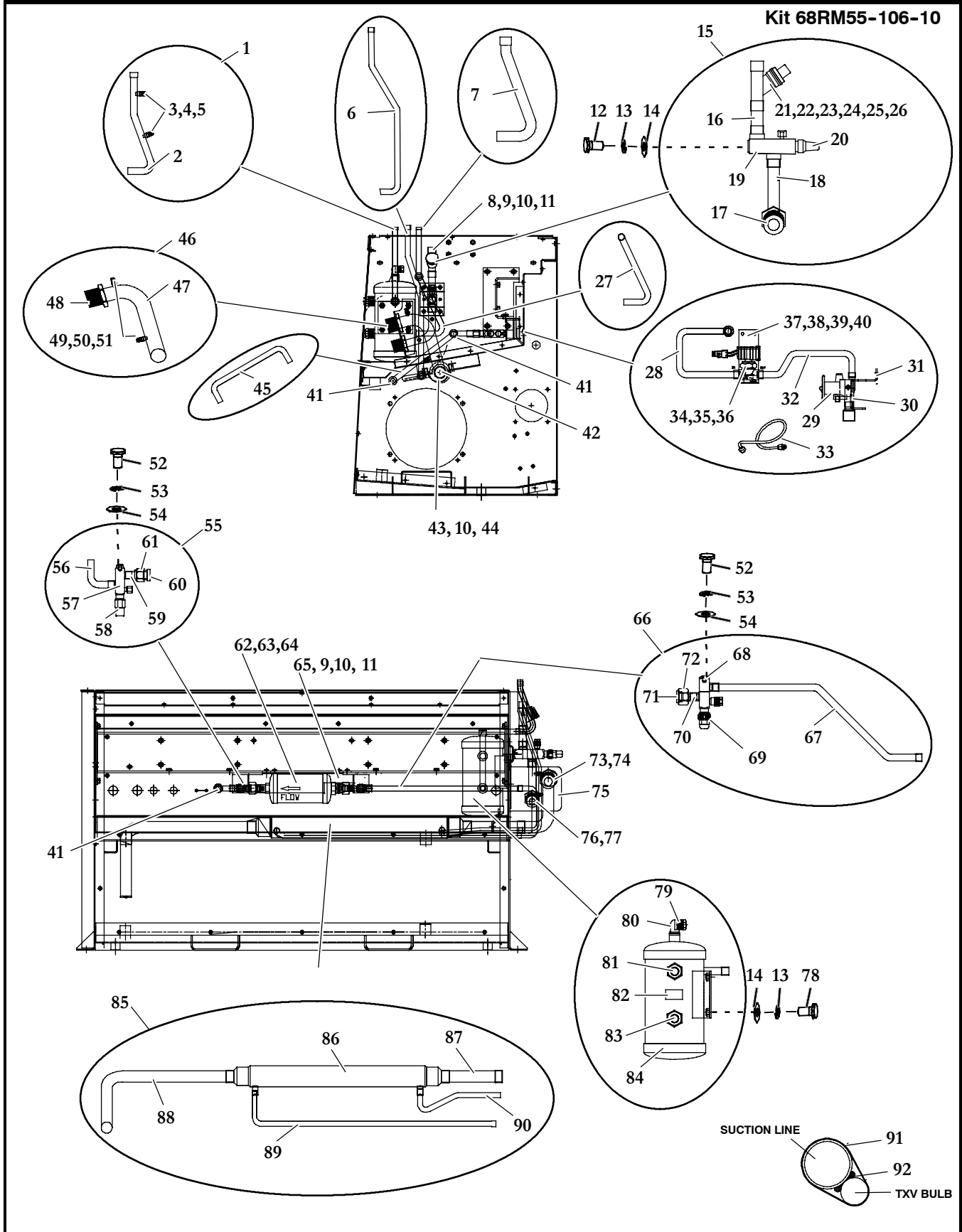




6.1 Refrigerant Piping Kit - Models 68RM55-101-3, -4, -5 (Continued)			
Item	Part Number	Description	Qty
45	68RM55-231	Tube Assembly, Suction - Includes:	1
46	68RM55-1166	Tube, Suction, Bent, 1-3/8 OD x .055 Wall Copper	1
47	40-00491-04	Fitting, ORS, 1-3/8 ODF x 2.00 -12	1
48	40-01124-00	Body, Valve, Schrader, Brass 1/4 SAE Flare - Includes:	2
49	DD19CA061	Cap, Seal, Flare, 1/4 Inch	1
50	14-00351-00	Core, Access Valve (Nickel Plated)	1
51	34-00799-04	Screw, Hex Head, 5/16-24 x 0.50 Inch Long, SST	2
52	34-00662-12	Washer, Flat, 5/16 Inch, SST	2
53	34-00663-12	Washer, Split Lock, 5/16 Inch, SST	2
54	81-62025-00	Valve and Tube Assembly, Liquid - Includes:	1
55	68RM35-1162-3	Tube, Liquid, Bent, 5/8 OD x .040 Wall Copper	1
56	40-00501-05	Valve, King, Brass, 5/8 ODF	1
57	40-00501-50	Cap, King Valve, Service Part	1
58	56-00143-75	Tube, Straight, 5/8 OD x .040W Copper x 1.625 Inches Long	1
59	40-00503-03	Collar, Tube - 10, 5/8 ORS, Brass	1
60	34-06121-03	Nut, Hex, ORS Braze (1.00 -14 Threads)	1
61	14-00320-00	Drier, Filter 3/4 ORS x 5/8 ORS - Includes:	1
62	42-00243-03	O-Ring, .614 ID x .070 Thick	1
63	42-00243-11	O-Ring, .739 ID x .070 Thick	1
64	68-62266-00	Bracket, Support, King Valves, Painted	1
65	81-62051-00	Valve and Tube Assembly, Liquid - Includes:	1
66	56-62126-00	Tube, Liquid, Bent, 5/8 OD x .040 Wall Copper	1
67	40-00501-05	Valve, King, Brass, 5/8 ODF	1
68	40-00501-50	Cap, King Valve, Service Part	1
69	56-00143-75	Tube, Straight, 5/8 OD x .040W Copper x 1.625 Inches Long	1
70	40-00503-04	Collar, Tube - 5/8 ORS, Nickel Plated Steel	1
71	34-06121-04	Nut, Hex, ORS Braze(1-3/16-12 Threads)	1
72	34-06088-02	Nut, Hex Head, ORS 1.50 x 2.00-12, Plated Steel	1
73	42-00243-02	O-Ring, 1.484 ID x 0.139 Thick	1
74	68RM55-1168P	Bracket, Support, Suction & Discharge Tube, Painted	1
75	34-06088-00	Nut, Hex Head, ORS 0.88 x 1.43-12, Plated Steel	1
76	42-00243-00	O-Ring, 0.921 ID x 0.139 Thick	1
77	34-00807-08	Screw, Hex Head, 3/8 -16 x 1.00 Inch Long, SST	4
78	14-01032-01	Plug, Fusible, Safety, 3/8 NPTF	1
79	40-00060-03	Elbow, Street, 90 Degree, 3/8 FPT x 3/8 MPT	1
80	14-00111-00	Sight Glass, Receiver, (Red Ball Float)	1
81	AC901-580	Label, Sightglass Wet/Dry	1
82	AC101-203	Sightglass, Indicator, Moisture, 7/8-14	1
83	65-01093-00	Receiver Assembly, Plugged, Painted	1
84	81-62055-00	Heat Exchanger & Tubing Assembly, Liquid/Suction - Includes:	1
85	AC101-900	Heat Exchanger, Liquid/Suction	1
86	68RM55-1141	Tube, Suction, Straight, 1-3/8OD x .055W Copper x 7.57 Inches Long	1
87	68RM55-1118	Tube, Suction, Bent, 1-3/8OD x .055W Copper	1
88	68RM55-1114	Tube, Liquid, Bent, 5/8 OD x .040 Wall Copper	1
89	68RM55-1113	Tube, Liquid, Bent, 5/8 OD x .040 Wall Copper	1



6.2 Refrigerant Piping Kit - Models 68RM55-101-6, -7, -8, -9, -10, -12, -15, -16, -19, -20, -23, -24, -25





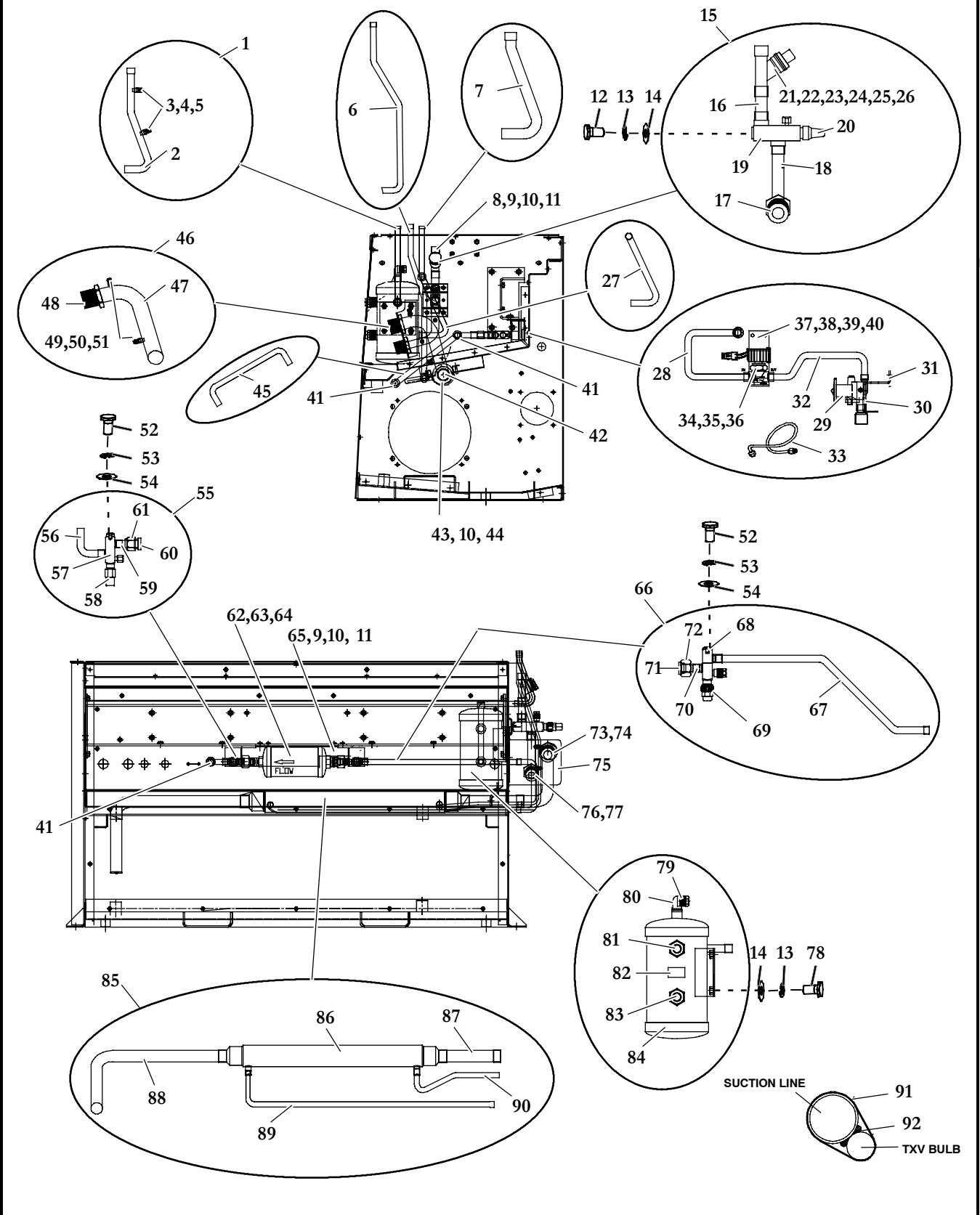
6.2 Refrigerant Piping Kit - Models 68RM55-101-6, -7, -8, -9, -10, -12, -15, -16, -19, -20, -23, -24, -25 (Continued)

Item	Part Number	Description	Qty
1	68RM55-233	Tube Assembly, Liquid - Includes:	1
2	68RM55-1025-1	Tube, Liquid, Bent, 5/8 OD x .040W Copper	1
3	40-01124-00	Body, Valve, Schrader, Brass 1/4 SAE Flare - Includes:	2
4	DD19CA061	Cap, Seal, Flare, 1/4 Inch	1
5	14-00351-00	Core, Access Valve (Nickel Plated)	1
6	68RM55-1112	Tube, Liquid, Bent, 5/8 OD x .040 Wall Copper	1
7	68RM55-1175	Tube, Liquid, Bent, 5/8 OD x .040 Wall Copper	1
8	68-62523-00	Bracket, Support, King Valve, Painted	1
9	34-00655-06	Screw, Hex Head, 1/4-20 x 3/4 Inch Long, SST	10
10	34-00662-11	Washer, Flat, 1/4 Inch, SST	14
11	34-00663-11	Washer, Split Lock, 1/4 Inch, SST	14
12	34-00855-04	Screw, Cap Hex Head, 3/8 -24 x 0.50 Inch Long, SST	1
13	34-00663-13	Washer, Split Lock, 3/8 Inch, SST	5
14	34-00662-13	Washer, Flat, 3/8 Inch, SST	5
15	68RM55-181	Discharge Tube & Valve Assembly - Includes:	1
16	56-00145-26	Tube, Discharge, Straight, 7/8 OD x .045 Wall Copper x 2.50 Inches Long	1
17	40-00491-00	Fitting, ORS, 7/8 x 1-7/16 -12, Brass	1
18	56-62017-01	Tube, Discharge, Bent, 7/8 OD x .045 Wall Copper	1
19	40-00501-07	Valve, King, Brass, 7/8 ODF	1
20	40-00501-50	Cap, King Valve, Service Part	1
21	14-00281-04	Valve, Check, 7/8 ODF - Includes:	1
22	14-50050-01	Spring And Piston/Seat Assembly - Includes:	1
23	73-50006-00	Spring, Check Valve, SST	1
24	16-03301-00	Gasket, Check Valve	1
25	14-50093-00	Disk, Spacer, Check Valve Cap	1
26	14-50051-00	Cap, Check Valve	1
27	68RM55-1111	Tube, Liquid, Bent, 5/8 OD x .040 Wall Copper	1
28	56-62089-00	Tube, Liquid, Bent, 5/8 OD x .040 Wall Copper (Valve to LSV)	1
29	14-01104-44	Valve, Thermal Expansion, Less Flange, 5.5 Tons, R-134a	1
30	66U1-1214-5	Body, Flange, Thermal Expansion Valve, 5/8 ODF Inlet x 7/8 ODF Outlet	1
31	68-62638-01	Bracket, Support, TXV, Painted	1
32	56-62141-00	Tube, Liquid, Bent, 5/8 OD x .040 Wall Copper (Solenoid to TXV)	1
33	56-62207-00	Tube Assembly, Equalizer, 1/4 OD x .028 Wall Copper	1
34	14-00236-00	Valve, Solenoid, 5/8 ODF x 7/8 ODM - Includes:	1
35	14-00236-50	Coil, Solenoid Valve, 24 VDC	1
36	14-00236-51	Repair Kit, Solenoid Valve	1
37	68-62158-01	Bracket, Support, Solenoid Valve, Painted	1
38	34-06264-03	Screw, Hex Head, Slotted With Washer, #8-32 x 0.38 Inch Long, SST	2
39	34-00663-08	Washer, Split Lock, #8, SST	2
40	34-00662-08	Washer, Flat, #8, SST	2
41	58-00065-85	Grommet, 0.88 ID x 1.12 Hole, 0.090 Inch Groove	5
42	58-00065-52	Grommet, 1.50 ID x 1.75 Hole, 0.120 Inch Groove	1
43	68RM40-1188	Bracket, Heat Exchanger, SST	2
44	34-00666-11	Nut, Hex Head, 1/4-20, SST	4



6.2 Refrigerant Piping Kit - Models 68RM55-101-6, -7, -8, -9, -10, -12, -15, -16, -19, -20, -23, -24, -25 (Continued)

Kit 68RM55-106-10





6.2 Refrigerant Piping Kit - Models 68RM55-101-6, -7, -8, -9, -10, -12, -15, -16, -19, -20, -23, -24, -25 (Continued)

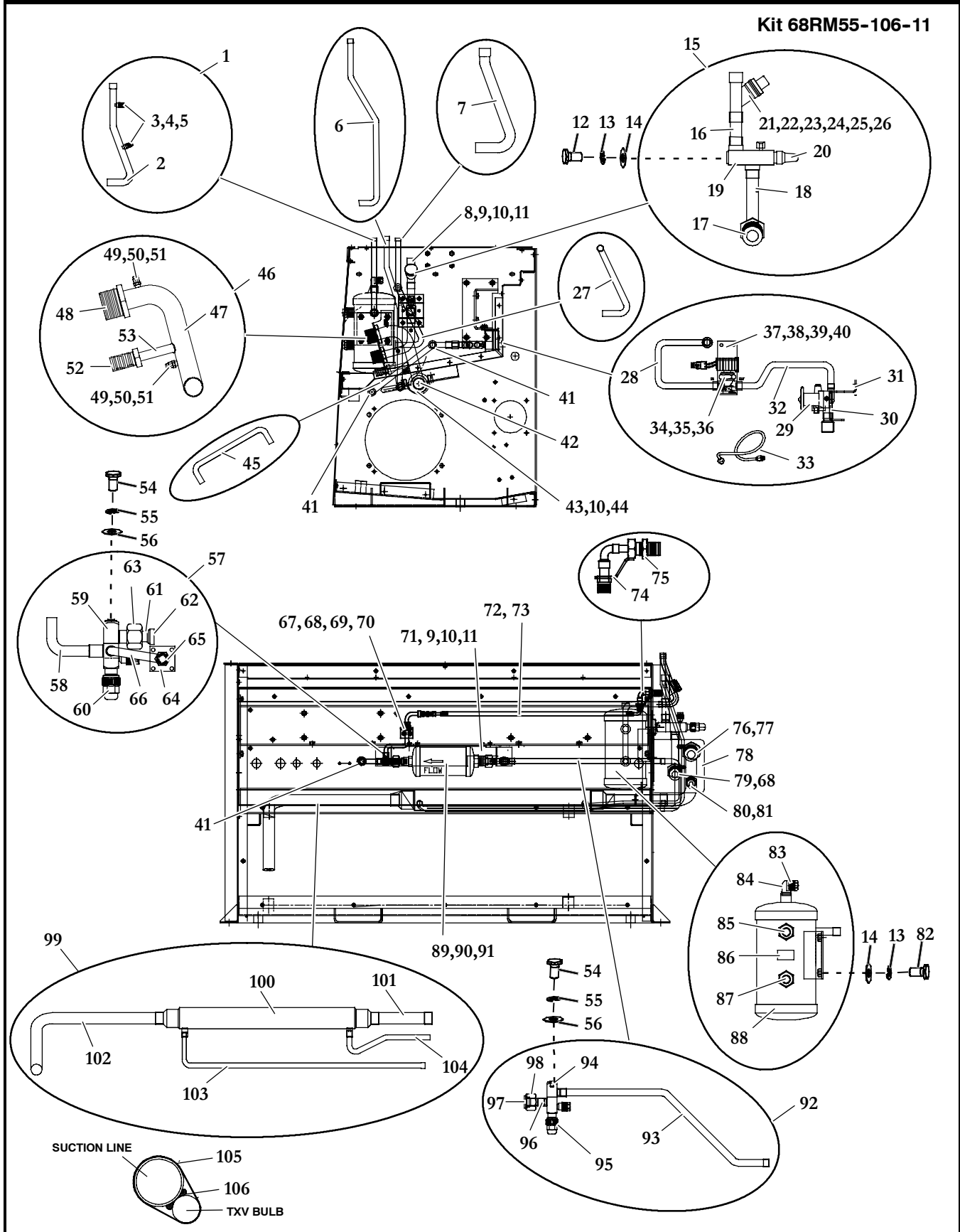
Item	Part Number	Description	Qty
45	68RM55-1115	Tube, Liquid, Bent, 5/8 OD x .040 Wall Copper	1
46	68RM55-231	Tube Assembly, Suction - Includes:	1
47	68RM55-1166	Tube, Suction, Bent, 1-3/8 OD x .055 Wall Copper	1
48	40-00491-04	Fitting, ORS, 1-3/8 ODF x 2.00 -12	1
49	40-01124-00	Body, Valve, Schrader, Brass 1/4 SAE Flare - Includes:	2
50	DD19CA061	Cap, Seal, Flare, 1/4 Inch	1
51	14-00351-00	Core, Access Valve (Nickel Plated)	1
52	34-00799-04	Screw, Hex Head, 5/16-24 x 0.50 Inch Long, SST	2
53	34-00662-12	Washer, Flat, 5/16 Inch, SST	2
54	34-00663-12	Washer, Split Lock, 5/16 Inch, SST	2
55	81-62081-00	Valve and Tube Assembly, Liquid - Includes:	1
56	56-03843-06	Tube, Liquid, Bent, 5/8 OD x .040 Wall Copper	1
57	40-00501-05	Valve, King, Brass, 5/8 ODF	1
58	40-00501-50	Cap, King Valve, Service Part	1
59	56-00143-74	Tube, Straight, 5/8 OD x .040W Copper x 1.84 Inches Long	1
60	40-00503-03	Collar, Tube - 10, 5/8 ORS, Brass	1
61	34-06121-03	Nut, Hex, ORS Braze (1.00 -14 Threads)	1
62	14-00320-00	Drier, Filter 3/4 ORS x 5/8 ORS - Includes:	1
63	42-00243-03	O-Ring, .614 ID x .070 Thick	1
64	42-00243-11	O-Ring, .739 ID x .070 Thick	1
65	68-62649-00	Bracket, Support, King Valves, Painted	1
66	81-62051-00	Valve and Tube Assembly, Liquid - Includes:	1
67	56-62126-00	Tube, Liquid, Bent, 5/8 OD x .040 Wall Copper	1
68	40-00501-05	Valve, King, Brass, 5/8 ODF	1
69	40-00501-50	Cap, King Valve, Service Part	1
70	56-00143-75	Tube, Straight, 5/8 OD x .040W Copper x 1.625 Inches Long	1
71	40-00503-04	Collar, Tube - 5/8 ORS, Nickel Plated Steel	1
72	34-06121-04	Nut, Hex, ORS Braze(1-3/16-12 Threads)	1
73	34-06088-02	Nut, Hex Head, ORS 1.50 x 2.00-12, Plated Steel	1
74	42-00243-02	O-Ring, 1.484 ID x 0.139 Thick	1
75	68RM55-1168P	Bracket, Support, Suction & Discharge Tube, Painted	1
76	34-06088-00	Nut, Hex Head, ORS 0.88 x 1.43-12, Plated Steel	1
77	42-00243-00	O-Ring, 0.921 ID x 0.139 Thick	1
78	34-00807-08	Screw, Hex Head, 3/8-16 x 1.00 Inch Long, SST	4
79	14-01032-01	Plug, Fusible, Safety, 3/8 NPTF	1
80	40-00060-03	Elbow, Street, 90 Degree, 3/8 FPT x 3/8 MPT	1
81	14-00111-00	Sight Glass, Receiver, (Red Ball Float)	1
82	AC901-580	Label, Sightglass Wet/Dry	1
83	AC101-203	Sightglass, Indicator, Moisture, 7/8-14	1
84	65-01093-00	Receiver Assembly, Plugged, Painted	1
85	81-62055-00	Heat Exchanger & Tubing Assembly, Liquid/Suction - Includes:	1
86	AC101-900	Heat Exchanger, Liquid/Suction	1
87	68RM55-1141	Tube, Suction, Straight, 1-3/8OD x .055W Copper x 7.57 Inches Long	1
88	68RM55-1118	Tube, Suction, Bent, 1-3/8OD x .055W Copper	1
89	68RM55-1114	Tube, Liquid, Bent, 5/8 OD x .040 Wall Copper	1



6.2 Refrigerant Piping Kit - Models 68RM55-101-6, -7, -8, -9, -10, -12, -15, -16, -19, -20, -23, -24, -25 (Continued)			
Item	Part Number	Description	Qty
90	68RM55-1113	Tube, Liquid, Bent, 5/8 OD x .040 Wall Copper	1
91	42-00032-00	Tape, Insulation, Presstite, 2.00 Inches x 30.00 Feet Long	1
92	02-00010-01	Grease, Thermomastic, 6cc Syringe	1



6.3 Refrigerant Piping Kit - Models 68RM55-101-11, -17, -18, -21, -26



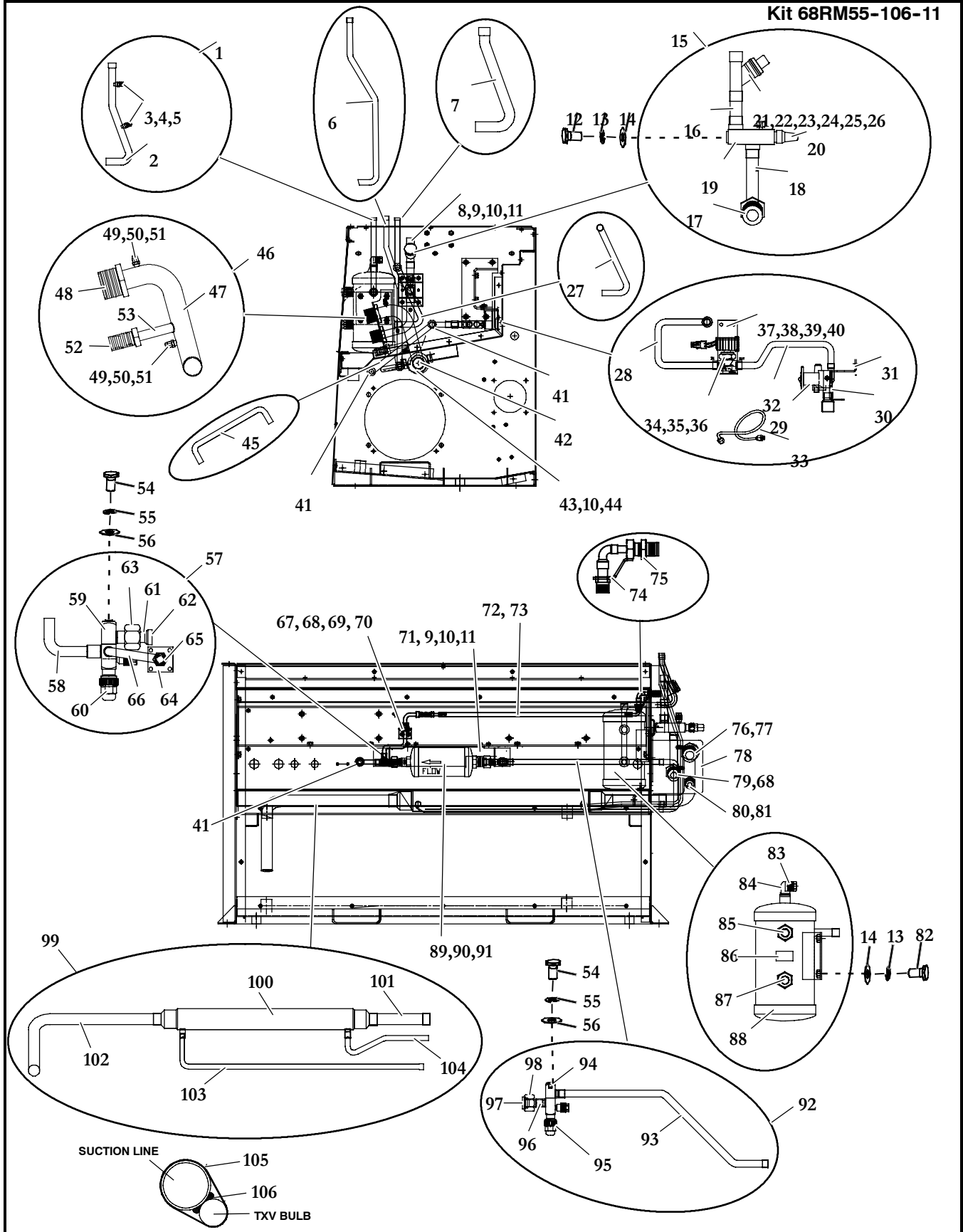


6.3 Refrigerant Piping Kit - Models 68RM55-101-11, -17, -18, -21, -26 (Continued)			
Item	Part Number	Description	Qty
1	68RM55-233	Tube Assembly, Liquid - Includes:	1
2	68RM55-1025-1	Tube, Liquid, Bent, 5/8 OD x .040W Copper	1
3	40-01124-00	Body, Valve, Schrader, Brass 1/4 SAE Flare - Includes:	2
4	DD19CA061	Cap, Seal, Flare, 1/4 Inch	1
5	14-00351-00	Core, Access Valve (Nickel Plated)	1
6	68RM55-1112	Tube, Liquid, Bent, 5/8 OD x .040 Wall Copper	1
7	68RM55-1175	Tube, Liquid, Bent, 5/8 OD x .040 Wall Copper	1
8	68-62523-00	Bracket, Support, King Valve, Painted	1
9	34-00655-06	Screw, Hex Head, 1/4-20 x 3/4 Inch Long, SST	10
10	34-00662-11	Washer, Flat, 1/4 Inch, SST	14
11	34-00663-11	Washer, Split Lock, 1/4 Inch, SST	14
12	34-00855-04	Screw, Cap Hex Head, 3/8-24 x 0.50 Inch Long, SST	1
13	34-00663-13	Washer, Split Lock, 3/8 Inch, SST	5
14	34-00662-13	Washer, Flat, 3/8 Inch, SST	5
15	68RM55-181	Discharge Tube & Valve Assembly - Includes:	1
16	56-00145-26	Tube, Discharge, Straight, 7/8 OD x .045 Wall Copper x 2.50 Inches Long	1
17	40-00491-00	Fitting, ORS, 7/8 x 1-7/16-12, Brass	1
18	56-62017-01	Tube, Discharge, Bent, 7/8 OD x .045 Wall Copper	1
19	40-00501-07	Valve, King, Brass, 7/8 ODF	1
20	40-00501-50	Cap, King Valve, Service Part	1
21	14-00281-04	Valve, Check, 7/8 ODF - Includes:	1
22	14-50050-01	Spring And Piston/Seat Assembly - Includes:	1
23	73-50006-00	Spring, Check Valve, SST	1
24	16-03301-00	Gasket, Check Valve	1
25	14-50093-00	Disk, Spacer, Check Valve Cap	1
26	14-50051-00	Cap, Check Valve	1
27	68RM55-1111	Tube, Liquid, Bent, 5/8 OD x .040 Wall Copper	1
28	56-62089-00	Tube, Liquid, Bent, 5/8 OD x .040 Wall Copper (Valve to LSV)	1
29	14-01104-44	Valve, Thermal Expansion, Less Flange, 5.5 Tons, R-134a	1
30	66U1-1214-5	Body, Flange, Thermal Expansion Valve, 5/8 ODF Inlet x 7/8 ODF Outlet	1
31	68-62638-01	Bracket, Support, TXV, Painted	1
32	56-62141-00	Tube, Liquid, Bent, 5/8 OD x .040 Wall Copper (Solenoid to TXV)	1
33	56-62207-00	Tube Assembly, Equalizer, 1/4 OD x .028 Wall Copper	1
34	14-00236-00	Valve, Solenoid, 5/8 ODF x 7/8 ODM - Includes:	1
35	14-00236-50	Coil, Solenoid Valve, 24 VDC	1
36	14-00236-51	Repair Kit, Solenoid Valve	1
37	68-62158-01	Bracket, Support, Solenoid Valve, Painted	1
38	34-06264-03	Screw, Hex Head, Slotted With Washer, #8-32 x 0.38 Inch Long, SST	2
39	34-00663-08	Washer, Split Lock, #8, SST	2
40	34-00662-08	Washer, Flat, #8, SST	2
41	58-00065-85	Grommet, 0.88 ID x 1.12 Hole, 0.090 Inch Groove	5
42	58-00065-52	Grommet, 1.50 ID x 1.75 Hole, 0.120 Inch Groove	1
43	68RM40-1188	Bracket, Heat Exchanger, SST	2
44	34-00666-11	Nut, Hex Head, 1/4-20, SST	4



6.3 Refrigerant Piping Kit - Models 68RM55-101-11, -17, -18, -21, -26 (Continued)

Kit 68RM55-106-11

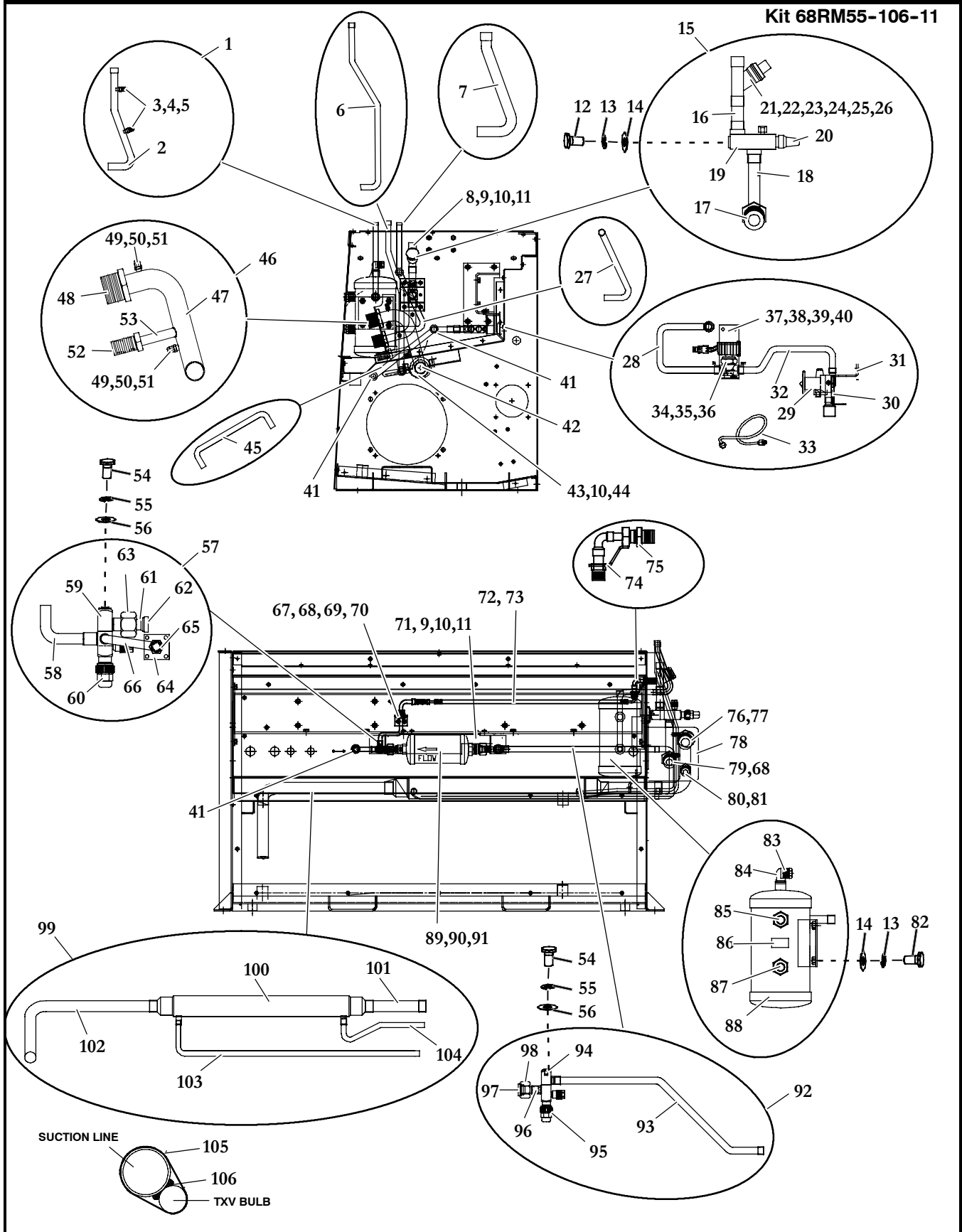




6.3 Refrigerant Piping Kit - Models 68RM55-101-11, -17, -18, -21, -26 (Continued)			
Item	Part Number	Description	Qty
45	68RM55-1115	Tube, Liquid, Bent, 5/8 OD x .040 Wall Copper	1
46	81-02653-01	Tube Assembly, Suction - Includes:	1
47	56-03900-01	Tube, Suction, Bent, 1-3/8 OD x .055 Wall Copper	1
48	40-00491-04	Fitting, ORS, 1-3/8 ODF x 2.00 -12	1
49	40-01124-00	Body, Valve, Schrader, Brass 1/4 SAE Flare - Includes:	2
50	DD19CA061	Cap, Seal, Flare, 1/4 Inch	1
51	14-00351-00	Core, Access Valve (Nickel Plated)	1
52	40-00491-15	Fitting, ORS, 5/8 ODF x 1.00-14 (Auxiliary Cooler)	1
53	56-03901-00	Tube, Suction, Straight, 5/8 OD x .035 Wall Copper (Bead On One End)	1
54	34-00799-04	Screw, Hex Head, 5/16-24 x 0.50 Inch Long, SST	2
55	34-00663-12	Washer, Split Lock, 5/16 Inch, SST	2
56	34-00662-12	Washer, Flat, 5/16 Inch, SST	2
57	81-62087-00	Valve and Tube Assembly, Liquid - Includes:	1
58	56-03843-06	Tube, Liquid, Bent, 5/8 OD x .040 Wall Copper	1
59	40-62028-00	Valve, King, Brass, 5/8 ODF x 5/8 ODF x 1/2 ODF	1
60	40-00501-50	Cap, King Valve, Service Part	1
61	56-00143-74	Tube, Straight, 5/8 OD x .040W Copper x 1.84 Inches Long	1
62	40-00503-03	Collar, Tube - 10, 5/8 ORS, Brass	1
63	34-06121-03	Nut, Hex, ORS Braze (1.00-14 Threads)	1
64	40-62032-02	Fitting, Swivel Nut, 1/2 x 3/4-16 M.I.O.	1
65	68-62492-00	Plate, Support, Brass	1
66	56-62093-00	Tube, Liquid, Bent, 1/2 OD x .035 Wall Copper	1
67	68-62504-00	Bracket, Support, Painted	1
68	42-00243-00	O-Ring, 0.921 ID x 0.139 Thick	1
69	34-00655-06	Screw, Hex Head, 1/4-20 x 3/4 Inch Long, SST	4
70	AC701-400	Rivet, Pop, 3/16 Inch	2
71	68-62649-00	Bracket, Support, King Valves, Painted	1
72	58-62022-00	Hose Assembly, Liquid (Auxiliary Cooler)	1
73	34-00373-13	Clamp, Tube, Neoprene Cushion, 1.00 Inch Diameter	2
74	81-02654-00	Tube Assembly, Liquid (Auxiliary Cooler)	1
75	34-06088-05	Nut, Hex Head, ORS 0.375 x 0.688-16, Plated Steel	1
76	34-06088-02	Nut, Hex Head, ORS 1.50 x 2.00-12, Plated Steel	1
77	42-00243-02	O-Ring, 1.484 ID x 0.139 Thick	1
78	68-08074-01	Bracket, Support, Suction Tube, Painted (Auxiliary Cooler)	1
79	34-06088-00	Nut, Hex Head, ORS 0.88 x 1.43-12, Plated Steel	1
80	34-06088-04	Nut, Hex Head, ORS 0.625 x 1.00-14, Plated Steel	1
81	42-00243-03	O-Ring, .614 ID x .070 Thick	1
82	34-00807-08	Screw, Hex Head, 3/8-16 x 1.00 Inch Long, SST	4
83	14-01032-01	Plug, Fusible, Safety, 3/8 NPTF	1
84	40-00060-03	Elbow, Street, 90 Degree, 3/8 FPT x 3/8 MPT	1
85	14-00111-00	Sight Glass, Receiver, (Red Ball Float)	1
86	AC901-580	Label, Sightglass Wet/Dry	1
87	AC101-203	Sightglass, Indicator, Moisture, 7/8-14	1
88	65-01093-00	Receiver Assembly, Plugged, Painted	1



6.3 Refrigerant Piping Kit - Models 68RM55-101-11, -17, -18, -21, -26 (Continued)

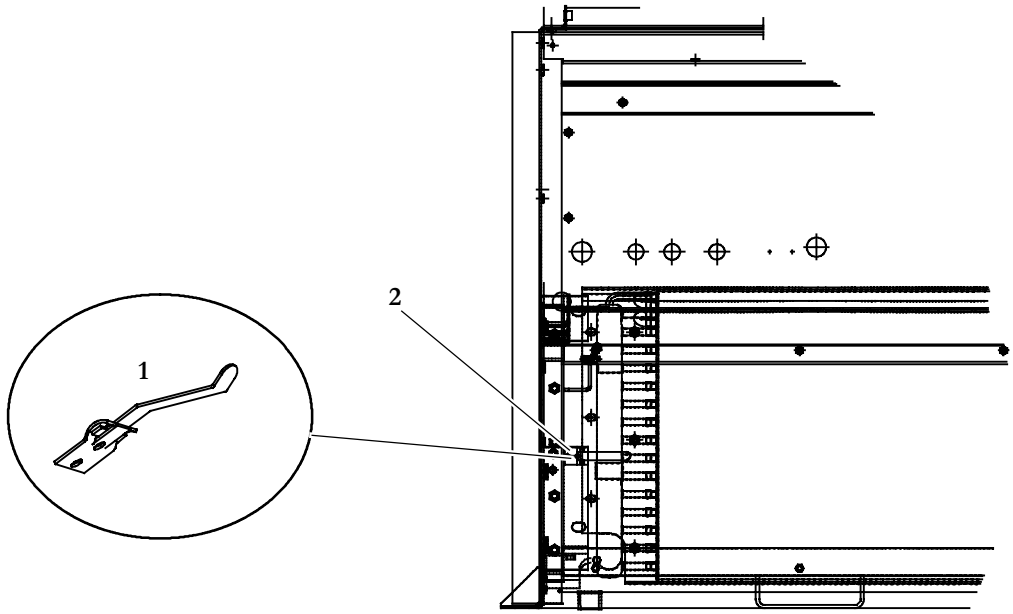




6.3 Refrigerant Piping Kit - Models 68RM55-101-11, -17, -18, -21, -26 (Continued)			
Item	Part Number	Description	Qty
89	14-00320-00	Drier, Filter 3/4 ORS x 5/8 ORS - Includes:	1
90	42-00243-03	O-Ring, .614 ID x .070 Thick	1
91	42-00243-11	O-Ring, .739 ID x .070 Thick	1
92	81-62051-00	Valve and Tube Assembly, Liquid - Includes:	1
93	56-62126-00	Tube, Liquid, Bent, 5/8 OD x .040 Wall Copper	1
94	40-00501-05	Valve, King, Brass, 5/8 ODF	1
95	40-00501-50	Cap, King Valve, Service Part	1
96	56-00143-75	Tube, Straight, 5/8 OD x .040W Copper x 1.625 Inches Long	1
97	40-00503-04	Collar, Tube - 5/8 ORS, Nickel Plated Steel	1
98	34-06121-04	Nut, Hex, ORS Braze(1-3/16-12 Threads)	1
99	81-62055-00	Heat Exchanger & Tubing Assembly, Liquid/Suction - Includes:	1
100	AC101-900	Heat Exchanger, Liquid/Suction	1
101	68RM55-1141	Tube, Suction, Straight, 1-3/8OD x .055W Copper x 7.57 Inches Long	1
102	68RM55-1118	Tube, Suction, Bent, 1-3/8OD x .055W Copper	1
103	68RM55-1114	Tube, Liquid, Bent, 5/8 OD x .040 Wall Copper	1
104	68RM55-1113	Tube, Liquid, Bent, 5/8 OD x .040 Wall Copper	1
105	42-00032-00	Tape, Insulation, Pressstite, 2.00 Inches x 30.00 Feet Long	1
106	02-00010-01	Grease, Thermomastic, 6cc Syringe	1



7 AIR FILTER KIT - 68RM55-101-12, -19, -20, -21, -23, -24, -25, -26 Systems

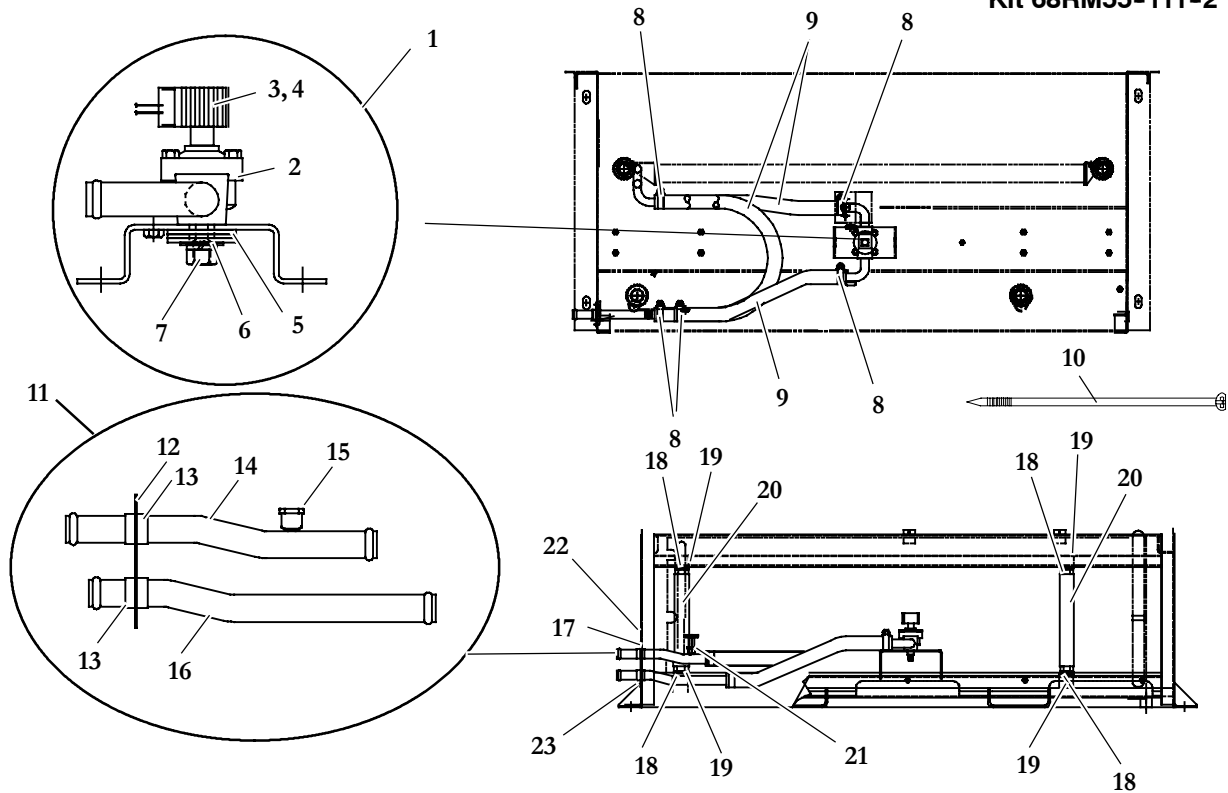


Item	Part Number	Description	Qty
1	44-01171-00	Latch, Snap, Quick Release	1
2	34-01317-00	Screw, Pan Head Philips, TEKS 3, #10-16x0.75 Inch Long, SST With Black Zinc	1



8 HEATER CONNECTION ASSEMBLY - All 68RM55 Systems

Kit 68RM55-111-2



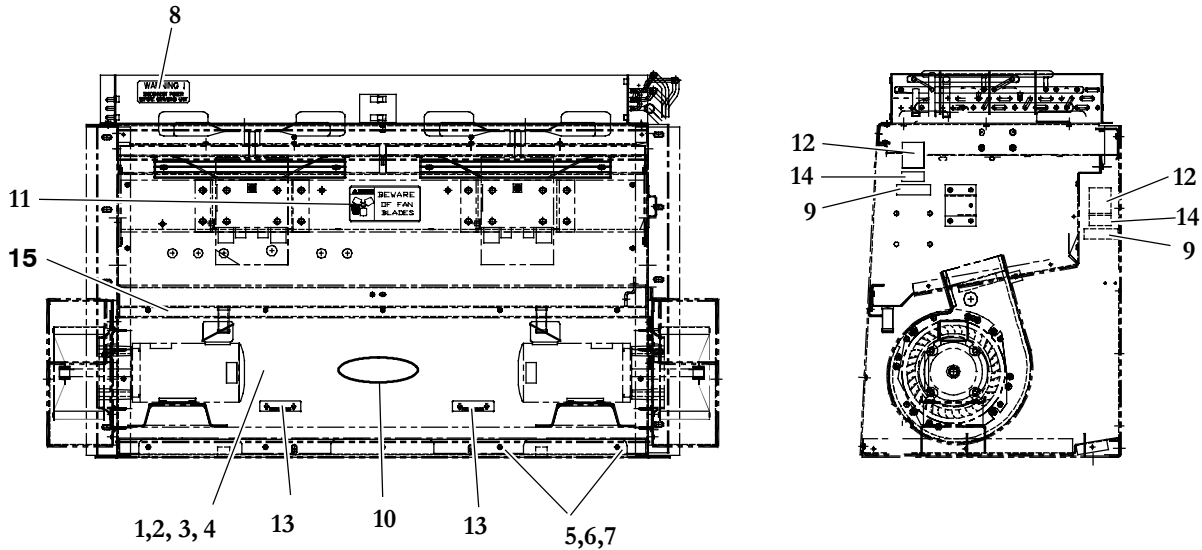
Item	Part Number	Description	Qty
1	68RM45-193	Coolant Valve Assembly - Includes:	1
2	14-00194-00	Valve, Coolant, Solenoid, 7/8 OD Water Bead - Includes:	1
3	14-01110-02	Coil, Solenoid Valve, 24 VDC	1
4	14-50036-00	Repair Kit, Solenoid Valve	1
5	34-00662-18	Washer, Plain, 3/4, SST	3
6	34-06212-15	Washer, Plain, 7/16, SST	1
7	34-00665-14	Nut, Hex, 7/16-20, SST	1
8	44-00318-00	Clamp, Hose, Constant Torque, Range: 0.81 To 1.50 Inches, SST	6
9	AC301-244	Hose, Heater Inlet & Outlet, 7/8 ID (Sold in 50 Feet Roll)	1
10	66U1-3882	Wire Tie, Self-Locking, 7.00 Inches, Black	2
11	81-62018-00	Tubing Assembly, Heater Coil Connections - Includes:	1
12	68RM55-1152	Plate, Heater Connections	1
13	66CH1-1212-8	Coupling, Braze, 7/8 ID x 0.75 Inch Long	2
14	56-62071-00	Tube, Bent, Heater, 7/8 OD x .045W Copper, Bead End	1
15	DE06DA051	Adapter, Tube Fitting, 1/4 FPT x 1/4 ODF	1
16	56-62070-00	Tube, Bent, Heater, 7/8 OD x .045W Copper, Bead End	1
17	AC701-400	Rivet, Pop, 3/16, Steel	4
18	58-00712-17	Clamp, Hose, Snap (I.D. Range: 1.218 - 1.405)	4
19	40-00541-02	Fitting, Hose Barb, 1 Inch Hose I.D. x 3/4 MPT	4
20	AC301-236-4	Hose, Drain, 1 Inch I.D. x 48.00 Inches Long	1
21	66U1-3041	Valve, Petcock, 1/4-18 MPT	1
22	62-62041-00	Label, IN	1
23	62-62041-01	Label, OUT	1



9 LABELS - GASKETS

9.1 Labels - Gaskets - R22 Units

Kit 68RM55-112-4

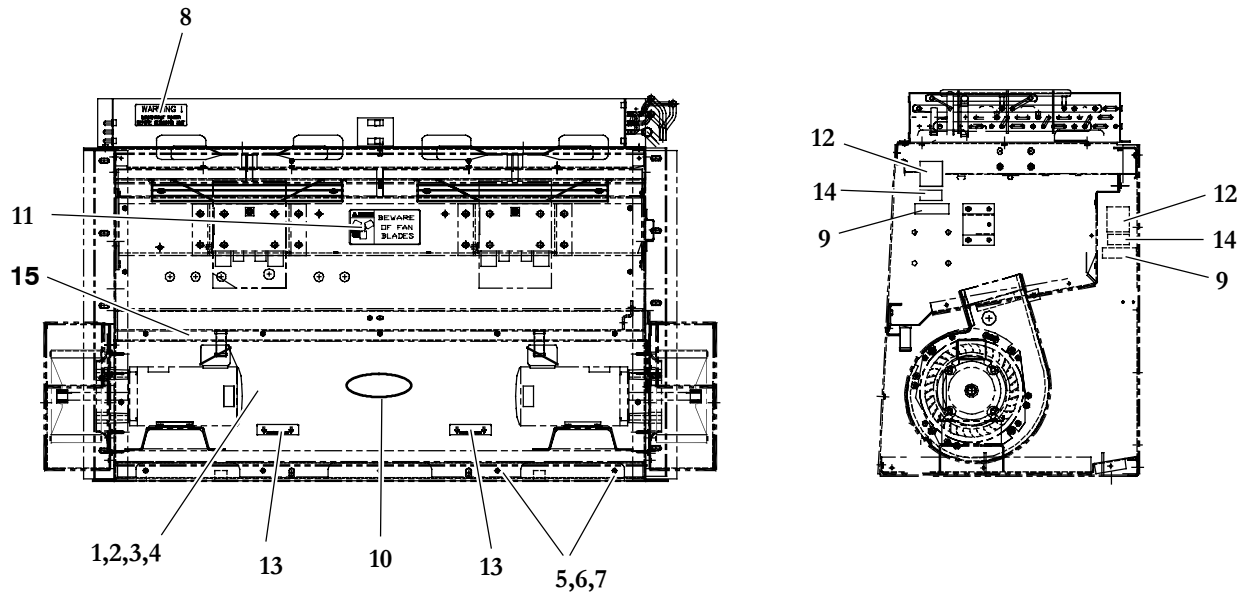


Item	Part Number	Description	Qty
1	68-62233-00	Panel, Access, Painted	1
2	68RM35-1163-9	Insulation, Foam, 1.00 Thick x 9.94 x 48.80 Inches	1
3	42-62009-00	Insulation, Neoprene, 0.25 Thick x 1.13 x 10.81 Inches	2
4	68RM35-1303	Insulation, Neoprene, 0.25 Thick x 1.25 x 51.50 Inches	2
5	34-00655-06	Screw, Hex Head, 1/4-20 x 3/4 Inch Long, SST	12
6	34-00663-11	Washer, Split Lock, 1/4 Inch, SST	12
7	34-00662-11	Washer, Flat, 1/4 Inch, SST	12
8	62-62001-00	Label, Warning, Disconnect Power	1
9	62-62039-01	Label, Charge Only With R-22	2
10	62-62037-00	Label, MCC, 9 Inch Oval	1
11	62-62045-00	Label, Warning, Fan Blades & Disconnect Power	1
12	62-04062-01	Label, Warranty I.D.	2
13	62-62003-00	Label, Fork Lift Here	2
14	62-62020-00	Label, Phone Numbers, Service & Parts	2
15	02-00314-00	Tape, Double Sided Adhesive, 2.00 Inch x 180 Feet Long	1



9.2 Labels - Gaskets - R134a Units

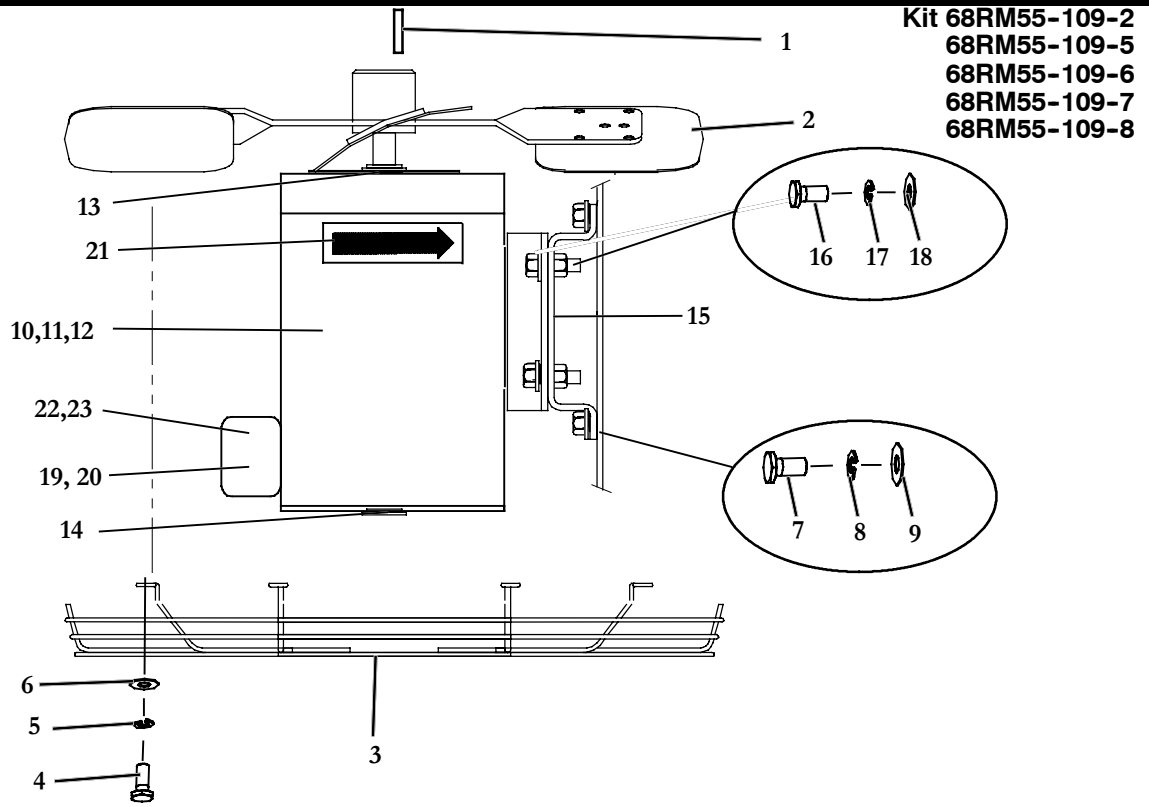
Kit 68RM55-112-3



Item	Part Number	Description	Qty
1	68-62233-00	Panel, Access, Painted	1
2	68RM35-1163-9	Insulation, Foam, 1.00 Thick x 9.94 x 48.80 Inches	1
3	42-62009-00	Insulation, Neoprene, 0.25 Thick x 1.13 x 10.81 Inches	2
4	68RM35-1303	Insulation, Neoprene, 0.25 Thick x 1.25 x 51.50 Inches	2
5	34-00655-06	Screw, Hex Head, 1/4-20 x 3/4 Inch Long, SST	12
6	34-00663-11	Washer, Split Lock, 1/4 Inch, SST	12
7	34-00662-11	Washer, Flat, 1/4 Inch, SST	12
8	62-62001-00	Label, Warning, Disconnect Power	1
9	62-62039-00	Label, Charge Only With R-134a	2
10	62-62037-00	Label, MCC, 9 Inch Oval	1
11	62-62045-00	Label, Warning, Fan Blades & Disconnect Power	1
12	62-04062-01	Label, Warranty I.D.	2
13	62-62003-00	Label, Fork Lift Here	2
14	62-62020-00	Label, Phone Numbers, Service & Parts	2
15	02-00314-00	Tape, Double Sided Adhesive, 2.00 Inch x 180 Feet Long	1



10 CONDENSER FAN MOTOR ASSEMBLY



Item	Part Number	Description	Qty
10.1 Condenser Fan Motor Assembly - Common Parts - All Models			
1	34-00672-00	Key, Square, 3/16 x 1-1/4 Inch	2
2	38-00516-00	Fan Blade, Condenser, CCW, 18 Inches Diameter	2
3	68RM35-1133	Grille, Fan Guard, Condenser	2
4	34-00655-06	Screw, Hex Head, 1/4-20 x 3/4 Inch Long, SST	8
5	34-00663-11	Washer, Split Lock, 1/4 Inch, SST	8
6	34-00662-11	Washer, Plain 1/4 Inch, SST	8
7	34-00807-08	Screw, Hex Head, 3/8-16 x 1.00 Inch Long, SST	4
8	34-00663-13	Washer, Split Lock, 3/8 Inch, SST	4
9	34-06212-14	Washer, Plain, 3/8 Inch, SST	4
10.2 Condenser Fan Motor Assembly - Models 68RM55-100-22, 101-8, -10, -11, -15, -16, -17, -23, 25, -26			
10	AC501-146	Motor, Fan, Condenser, .8HP, 24VDC, Wound Field - Includes:	2
11	54-00508-30	Brush, Motor	4
12	54-50067-31	Holder, Brush	1
13	54-00517-20	Bearing, Shaft End	1
14	54-00122-23	Bearing, Opposite Shaft End	1
15	68RM35-187P	Bracket Assembly, Motor Mounting, Condenser, Painted	2
16	34-00792-08	Screw, Hex Head, 5/16-18 x 1 Inch Long, SST	8
17	34-00663-12	Washer, Split Lock, 5/16 Inch, SST	8
18	34-00662-12	Washer, Plain, 5/16 Inch, SST	8
19	AC201-244	Terminal, Butt Connector, 14-16 Gauge	4
20	66U1-3803-15	Tubing, Heat Shrink, 3/16 Inch	2
21	62-62038-00	Label, Rotation Arrow	2



10.3 Condenser Fan Motor Assembly - Models 68RM55-100-17, -23, -25, 101-3, -5, -6, -7, -9, -12, -18, -19, -20, -21, -24

Item	Part Number	Description	Qty
10	54-00533-00	Motor, Fan, Condenser, .8HP, 24VDC, Brushless	2
15	68RM35-433P	Bracket Assembly, Motor Mounting, Condenser, Painted	2
16	34-00807-08	Screw, Hex Head, 3/8-16 x 1.00 Inch Long, SST	8
17	34-00663-13	Washer, Split Lock, 3/8 Inch, SST	8
18	34-06212-14	Washer, Plain, 3/8 Inch, SST	8
22	22-02126-03	Cap, Insulated, Electrical, #14 to #16 AWG	8
23	22-02126-02	Cap, Insulated, Electrical, #12 to #14 AWG	8

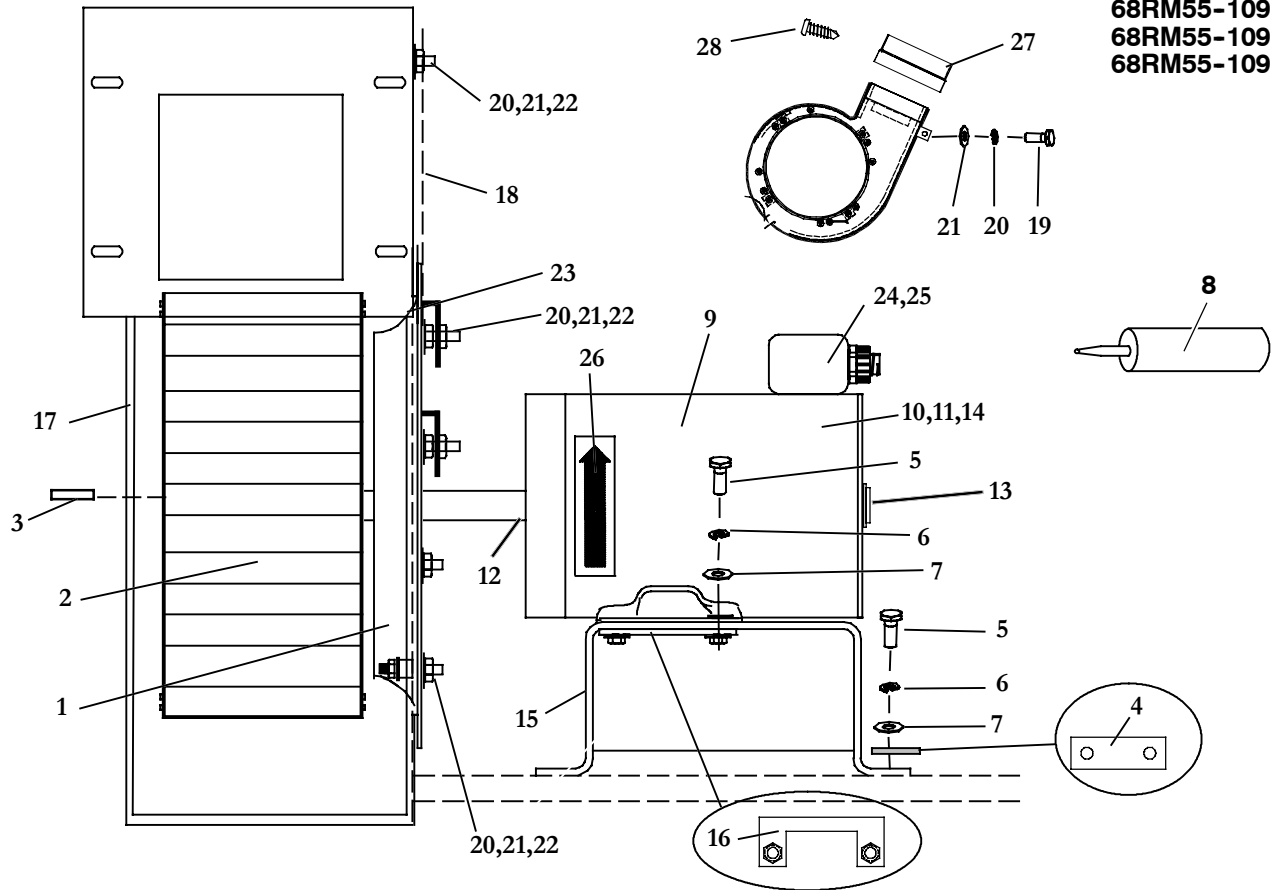
10.4 Condenser Fan Motor Assembly - Model 68RM55-100-24, 101-4

10	AC501-120	Motor, Fan, Condenser, GE .80 HP PM	2
11	54-50067-00	Brush, Motor	4
12	54-50067-31	Holder, Brush	1
13	54-00122-23	Bearing, Shaft End	1
14	54-00122-23	Bearing, Opposite Shaft End	1
15	68RM35-187P	Bracket Assembly, Motor Mounting, Condenser, Painted	2
16	34-00792-08	Screw, Hex Head, 5/16-18 x 1 Inch Long, SST	8
17	34-00663-12	Washer, Split Lock, 5/16 Inch, SST	8
18	34-00662-12	Washer, Plain, 5/16 Inch, SST	8
19	AC201-244	Terminal, Butt Connector, 14-16 Gauge	8
20	66U1-3803-15	Tubing, Heat Shrink, 3/16 Inch	2
21	62-62038-00	Label, Rotation Arrow	2



11 EVAPORATOR BLOWER ASSEMBLY

Kit 68RM55-109-2
 68RM55-109-5
 68RM55-109-6
 68RM55-109-7
 68RM55-109-8



Item	Part Number	Description	Qty
11.1 Evaporator Blower Assembly - Common Parts - All Models			
1	68RM55-1076	Ring, Venturi, Plastic, Black	2
2	38-00512-00	Blower Wheel, Clockwise, 9.00 Diameter, Roadside	1
	38-00512-01	Blower Wheel, Counter Clockwise, 9.00 Diameter, Curbside	1
3	34-00672-00	Key, Square, 3/16 x 1-1/4 Inch	2
4	68RM35-1106P	Plate, Motor Mount Washer, Painted (2 Required Per Motor)	4
5	34-00792-08	Screw, Hex Head, 5/16-18 x 1 Inch Long, SST	8
6	34-00663-12	Washer, Split Lock, 5/16 Inch, SST	8
7	34-00662-12	Washer, Flat, 5/16 Inch, SST	8
8	02-62001-00	Sealant, Adhesive Caulk, Black (10.3 Ounce Tube)	1
11.2 Evaporator Blower Assembly - Models 68RM55-100-17, -23, 101-3, -5, -6			
9	AC501-152	Motor, Evaporator Blower, .75HP, Brushless, 24VDC	2
15	68RM35-107P	Bracket Assembly, Motor Mounting, Evaporator, Painted	2
16	68RM40-202-2	Bracket Assembly (Two Pieces Required To Secure Each Motor To Item 15) Painted	4
17	68RM55-135	Blower Housing (Coated) - Curbside	1
	68RM55-135-1	Blower Housing (Coated) - Roadside	1



11.2 Evaporator Blower Assembly - Models 68RM55-100-17, -23, 101-3, -5, -6 (Continued)			
Item	Part Number	Description	Qty
18	68RM55-1037	Insulation, Blower Housing, 0.38 Foam - Roadside	1
	68RM55-1037-1	Insulation, Blower Housing, 0.38 Foam - Curbside	1
19	34-00655-06	Screw, Hex Head, 1/4-20 x 3/4 Inch Long, SST	2
20	34-00662-11	Washer, Flat, 1/4 Inch, SST	10
21	34-00663-11	Washer, Split Lock, 1/4 Inch, SST	18
22	34-00666-11	Nut, Hex, 1/4-20, SST	16
23	68RM55-1142P	Clip, Venturi Ring, Painted	8
24	AC201-217	Terminal, Closed End	8
25	22-02126-03	Cap, Insulated, Electrical, #14 to #16 AWG	8
11.3 Evaporator Blower Assembly - Models 68RM55-100-24, 101-4			
9	AC501-150	Motor, Evaporator Blower, 1.0HP, Permanent Magnet, 24VDC - Includes:	2
10	54-50067-00	Brush, Motor	4
11	54-50067-31	Holder, Brush, Motor	1
12	54-00508-20	Bearing, Shaft End	1
13	54-00122-23	Bearing, Opposite Shaft End	1
15	68RM35-107P	Bracket Assembly, Motor Mounting, Evaporator, Painted	2
16	68RM40-202-2	Bracket Assembly (Two Pieces Required To Secure Each Motor To Item 15) Painted	4
17	68RM55-135	Blower Housing (Coated) - Curbside	1
	68RM55-135-1	Blower Housing (Coated) - Roadside	1
18	68RM55-1037	Insulation, Blower Housing, 0.38 Foam - Curbside	1
	68RM55-1037-1	Insulation, Blower Housing, 0.38 Foam - Roadside	1
19	34-00655-08	Screw, Hex Head, 1/4-20 x 1.00 Inch Long, SST	2
20	34-00662-11	Washer, Flat, 1/4 Inch, SST	10
21	34-00663-11	Washer, Split Lock, 1/4 Inch, SST	10
22	34-00666-11	Nut, Hex, 1/4-20, SST	16
23	68RM55-1142P	Clip, Venturi Ring, Painted	8
24	AC201-244	Terminal, Butt Connector, 14-16 Gauge	8
25	66U1-3803-15	Tube, Heat Shrink, 3/16, With Adhesive	2
26	62-62038-00	Label, Rotation Arrow	4

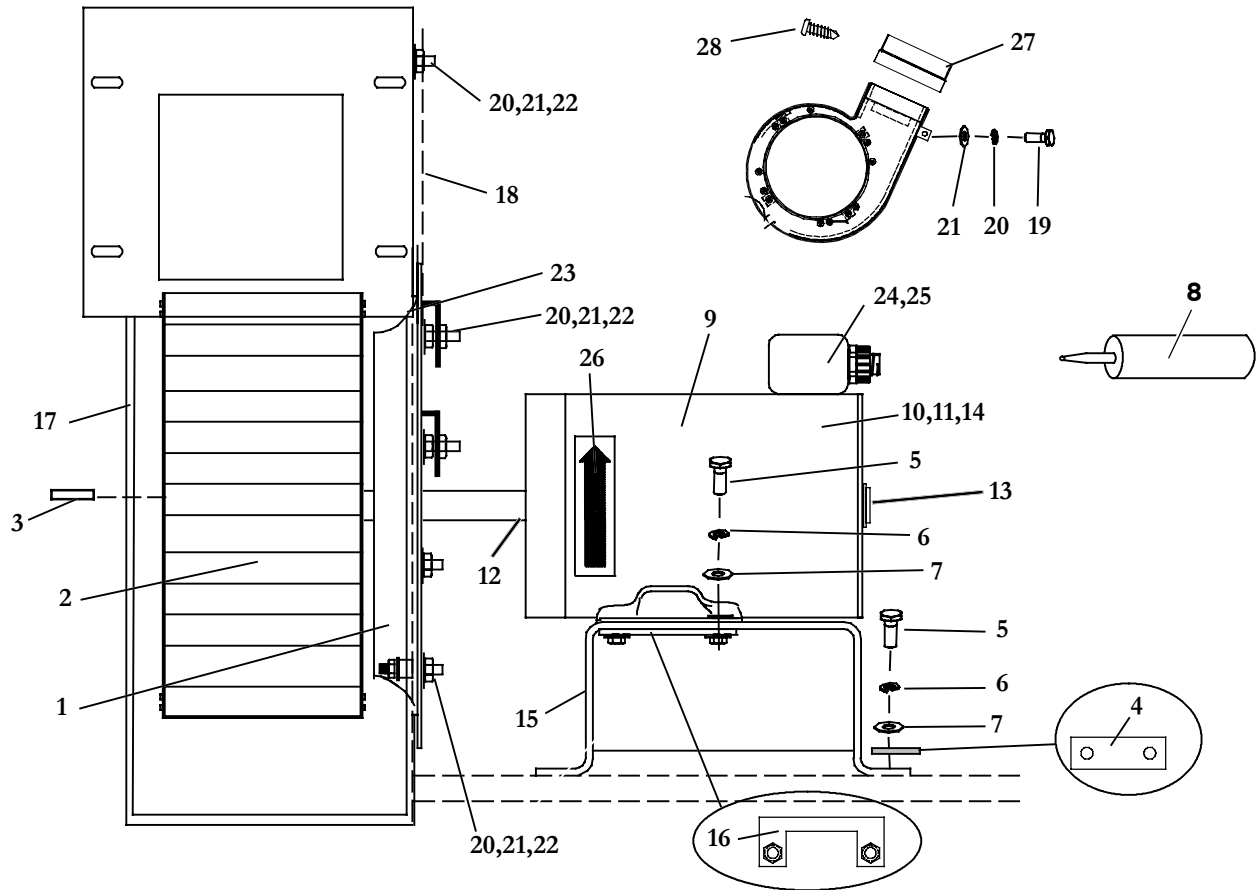


11.4 Evaporator Blower Assembly - Models 68RM55-100-22			
9	54-00575-00	Motor, Evaporator Blower, 1.0HP, Wound Field, 24VDC - Includes:	2
10	54-00508-30	Brush, Motor	4
11	54-00575-28	Holder, Brush, Motor	1
12	54-00517-20	Bearing, Shaft End	1
13	54-00122-23	Bearing, Opposite Shaft End	1
14	54-00575-50	Spring Kit, Brush (Pack of 4)	1
15	68RM35-117P	Bracket Assembly, Motor Mounting, Evaporator, Painted	2
16	68RM40-202-3	Bracket Assembly (Two Pieces Required To Secure Each Motor To Item 15) Painted	4
17	68RM55-135	Blower Housing (Coated) - Curbside	1
	68RM55-135-1	Blower Housing (Coated) - Roadside	1
18	68RM55-1037	Insulation, Blower Housing, 0.38 Foam - Curbside	1
	68RM55-1037-1	Insulation, Blower Housing, 0.38 Foam - Roadside	1
19	34-00655-08	Screw, Hex Head, 1/4-20 x 1.00 Inch Long, SST	2
20	34-00662-11	Washer, Flat, 1/4 Inch, SST	10
21	34-00663-11	Washer, Split Lock, 1/4 Inch, SST	16
22	34-00666-11	Nut, Hex, 1/4-20, SST	14
23	68RM55-1142P	Clip, Venturi Ring, Painted	8
24	AC201-244	Terminal, Butt Connector, 14-16 Gauge	8
25	66U1-3803-15	Tube, Heat Shrink, 3/16, With Adhesive	2
26	62-62038-00	Label, Rotation Arrow	4



11 EVAPORATOR BLOWER ASSEMBLY (Continued)

Kit 68RM55-109-7
68RM55-109-8



NOTE: Common Parts, Items 1 Thru 7, are listed under Section 11.1

Item	Part Number	Description	Qty
11.5 Evaporator Blower Assembly - Models 68RM55-100-25, 101-7, -9, -12, -18, -19, -20, -21, -24			
9	AC501-152	Motor, Evaporator Blower, .75HP, Brushless, 24VDC	2
15	68RM35-107P	Bracket Assembly, Motor Mounting, Evaporator, Painted	2
16	68RM40-202-3	Bracket Assembly (Two Pieces Required To Secure Each Motor To Item 15) Painted	4
17	38-00571-20	Blower Housing (Coated) - Curbside	1
	38-00571-21	Blower Housing (Coated) - Roadside	1
18	42-62070-00	Insulation, Blower Housing, 0.38 Foam - Roadside	1
	42-62070-01	Insulation, Blower Housing, 0.38 Foam - Curbside	1
20	34-00662-11	Washer, Flat, 1/4 Inch, SST	10
21	34-00663-11	Washer, Split Lock, 1/4 Inch, SST	18
22	34-00666-11	Nut, Hex, 1/4-20, SST	16
23	68RM55-1142P	Clip, Venturi Ring, Painted	6
24	22-02126-03	Cap, Insulated, Electrical, #14 to #16 AWG	8
25	22-02126-02	Cap, Insulated, Electrical, #12 to #14 AWG	8
27	86-62261-10	Duct Adapter Assembly, Without Flange, Painted	2
28	34-01317-00	Screw, Pan Head Philips, TEKS 3, #10-16 x 0.75 Inch Long, SST W/ Black Zinc	4

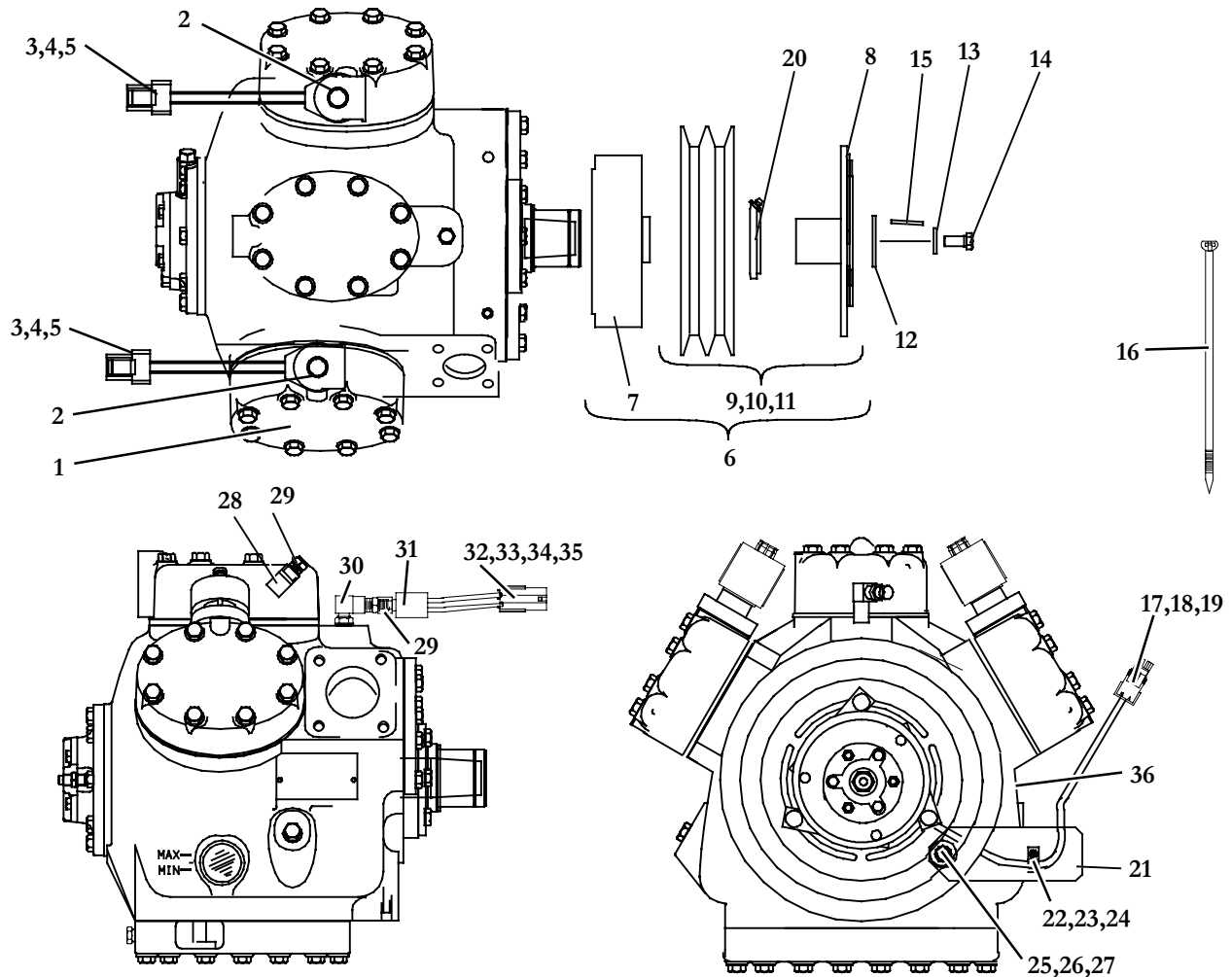


11.6 Evaporator Blower Assembly - Models 68RM55-101-8, -10, -11, -15, -16, -17, -23, 25, -26			
Item	Part Number	Description	Qty
9	54-00575-00	Motor, Evaporator Blower, 1.0HP, Wound Field, 24VDC - Includes:	2
10	54-00508-30	Brush, Motor	4
11	54-00575-28	Holder, Brush, Motor	1
12	54-00517-20	Bearing, Shaft End	1
13	54-00122-23	Bearing, Opposite Shaft End	1
14	54-00575-50	Spring Kit, Brush (Pack of 4)	1
15	68RM35-117P	Bracket Assembly, Motor Mounting, Evaporator, Painted	2
16	68RM40-202-3	Bracket Assembly (Two Pieces Required To Secure Each Motor To Item 15) Painted	4
17	38-00571-20	Blower Housing (Coated) - Curbside	1
	38-00571-21	Blower Housing (Coated) - Roadside	1
18	42-62070-00	Insulation, Blower Housing, 0.38 Foam - Curbside	1
	42-62070-01	Insulation, Blower Housing, 0.38 Foam - Roadside	1
19	34-00655-08	Screw, Hex Head, 1/4-20 x 1.00 Inch Long, SST	2
20	34-00662-11	Washer, Flat, 1/4 Inch, SST	8
21	34-00663-11	Washer, Split Lock, 1/4 Inch, SST	14
22	34-00666-11	Nut, Hex, 1/4-20, SST	12
23	68RM55-1142P	Clip, Venturi Ring, Painted	8
24	AC201-244	Terminal, Butt Connector, 14-16 Gauge	8
25	66U1-3803-15	Tube, Heat Shrink, 3/16, With Adhesive	2
26	62-62038-00	Label, Rotation Arrow	4
27	86-62261-10	Duct Adapter Assembly, Without Flange, Painted	2
28	34-01317-00	Screw, Pan Head Philips, TEKS 3, #10-16 x 0.75 Inch Long, SST W/ Black Zinc	4



12 COMPRESSOR INSTALLATION COMPONENTS

12.1 Compressor Installation Components - R-22 Systems - Common Parts



Item	Part Number	Description	Qty
1	18-00059-169	Compressor Assembly, 05G Service (Remanufactured, 37 CFM, R-22)	1
	18-00091-150	Compressor Assembly, 05G Service (New, Twin Port, 37 CFM, R-22)	1
2	22-02804-02	Coil, Solenoid, Compressor Unloader, 24 VDC	2
3	22-02392-01	Connector, 2 Pin, Medium Gray	2
4	22-02393-01	Terminal, Male (18-20 AWG)	4
5	22-02394-00	Seal, Cable, Gray	4
6	50-01122-14	Clutch Assembly, 24 VDC (Less Lock Nut Item 17) - Includes:	1
7	50-01122-50	Coil, Clutch, 24 VDC	1
8	NSS	Armature Assembly	1
9	50-01122-93	Rotor And Armature Assembly (2-5V Groove At 10.50 Inches OD) - Includes:	1
10	04-00130-00	Bearing	1
11	34-01186-00	Ring, Retainer	1
12	68G2-9082	Washer, Special, 0.438 ID	1

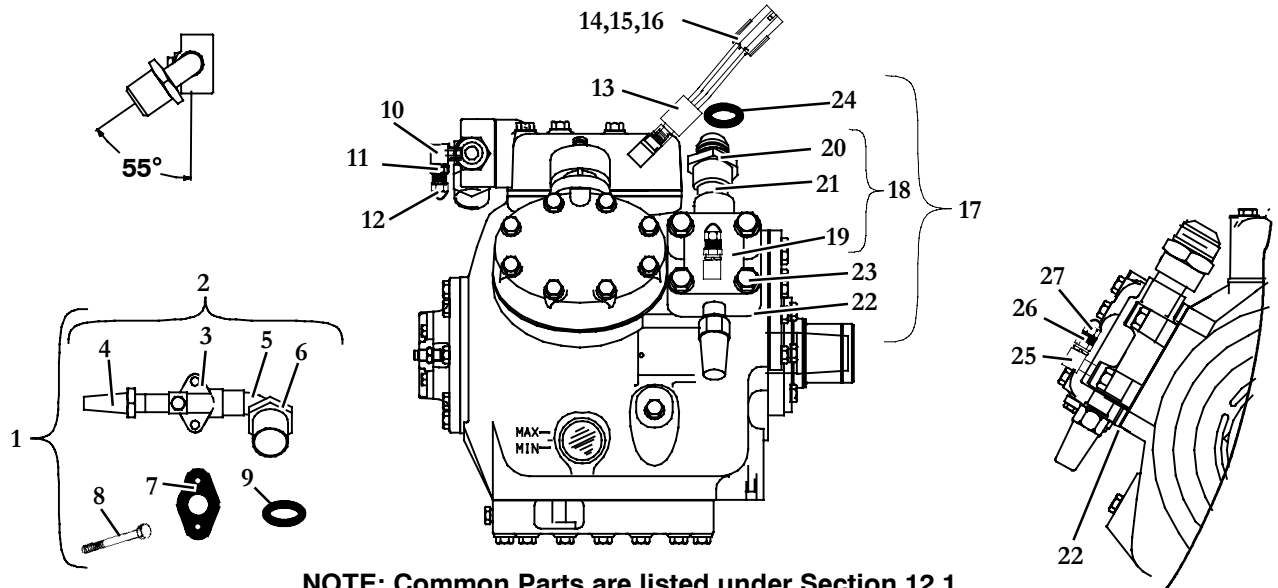


12.1 Compressor Installation Components - R-22 Systems - Common Parts (Continued)			
Item	Part Number	Description	Qty
13	AU11AS241	Washer, Split Lock, 3/8 Inch, Zinc Plated	1
14	34-00613-10	Screw, Hex Head Cap, 3/8-24 x 1.25 Inches Long, Grade 8, Zinc Plated	1
15	68G2-9072	Key, Crankshaft, Special	1
16	66U1-3882	Wire Tie, Self-Locking, 7.00 Inches, Black	1
17	22-02393-00	Terminal, Male (14-16 AWG)	2
18	22-02394-01	Seal, Cable, Blue	2
19	22-01585-02	Connector, Male, 2 Pin, Medium Gray	1
20	34-06083-00	Nut, Lock, Clutch, Special	1
21	68PD1-1202	Bracket, Clutch Wire Support	1
22	34-00373-51	Clamp, Tube, 0.25 Inch Diameter, Cushioned	1
23	34-00827-10	Screw, Machine, Slotted, #8-32 x 0.625 Inch Long, SST	1
24	AT31AB101	Nut, Hex, Keps, #8-32, Zinc Plated	1
25	17-40037-05	Screw, Hex Head Cap, 3/8-16 x 1.00 Inch Long, Zinc Plated	1
26	AU02AB242	Washer, Plain, 3/8 SAE, Zinc Plated	1
27	34-00372-13	Washer, Lock, 3/8, External Tooth	1
28	14-01093-00	Snubber Assembly, 90 Degree, 1/4 MPT x 1/4 FPT	1
29	06DA403844	Valve Assembly, Schrader, 1/4 Male Flare	2
30	40-01166-01	Elbow, Adapter, 1/4 FPT x 7/16 UNC	1
31	12-00299-01	Switch, Pressure, Low - Includes:	1
32	22-02392-00SV	Connector Kit, 2 Pin - Includes:	1
33	NSS	Connector, Male, 2 Pin, Black	1
34	22-02393-00	Terminal, Male (14-16 AWG)	2
35	22-02394-01	Seal, Cable, Blue (14-18 AWG)	2
36	62-03797-00	Label, Charge Only With R-22	1



12.2 Compressor Installation Components - 68RM55-100-17

68PD537-104-102



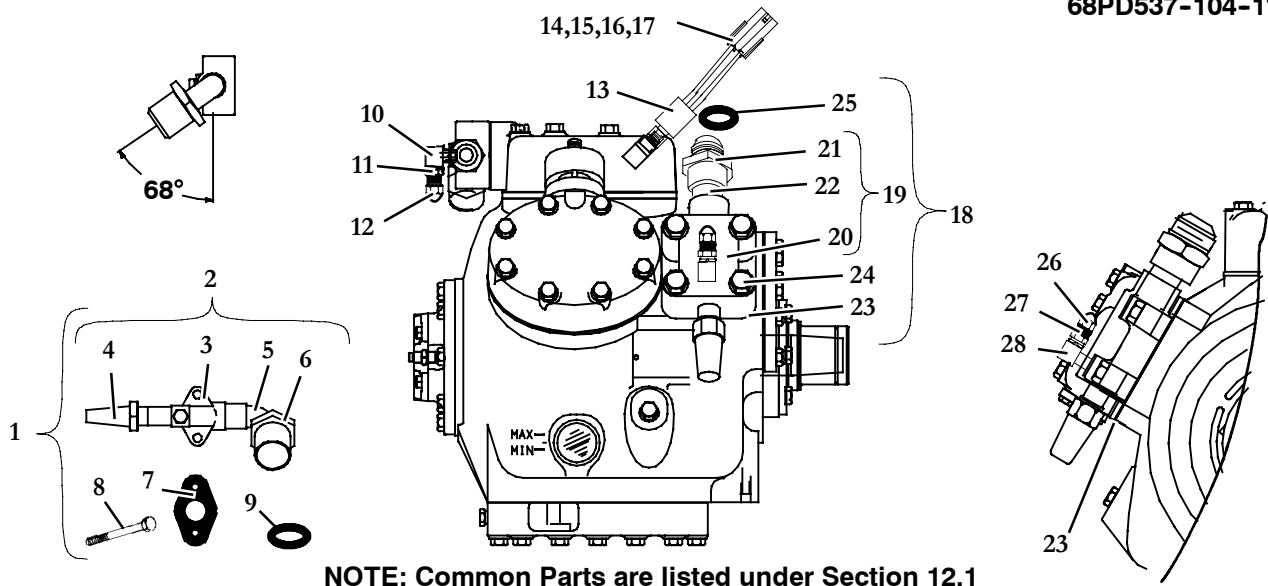
NOTE: Common Parts are listed under Section 12.1

Item	Part Number	Description	Qty
1	68PD2-110-79	Valve Assembly, Discharge, Service - Includes:	1
2	68PD1-333-5	Valve Assembly, Discharge, With Tube & Fitting - Includes:	1
3	14-01042-10	Valve, Discharge, Service, 7/8 ODF - Includes:	1
4	17-10812-00	Cap, Service Valve (With NSS O-Ring Seal)	1
5	68PD1-1092-1	Tube, Bent, 7/8 OD x .049W Steel	1
6	40-00491-00	Fitting, ORS, 7/8 ODF x 1-7/16	1
7	17-10811-05	Gasket, Discharge Service Valve (Valve to Compressor)	1
8	17-40012-00	Bolt, Hex Head, 5/16-18 x 2.00 Inches Long	2
9	42-00243-00	O-Ring, ORS-10, .921 ID x 0.139 Thick	2
10	40-00060-08	Elbow, Street, 1/4 FPT x 1/8 MPT	1
11	06DA403844	Valve Assembly, Schrader, 1/4 Male Flare	1
12	40-00086-04	Cap, Nut, 1/4 FFL, Brass	1
13	12-00299-00	Switch, Pressure, High - Includes:	1
14	22-01585-00	Connector, Male, 2 Pin, Black	1
15	22-02393-00	Terminal, Male (14-16 AWG)	2
16	22-02394-01	Seal, Cable, Blue	2
17	68PD2-110-5	Valve Assembly, Suction, Service - Includes:	1
18	68PD1-293	Valve Assembly, Suction, With Tube & Fitting - Includes:	1
19	17-31062-00	Valve, Suction, Service, 1-1/8 ODF	1
20	40-00491-01	Fitting, ORS, 1.125 ODF x 1-11/16-12	1
21	68PD1-1082	Tube, Suction, Straight, 1-1/8 OD x .065W x 2.00 Inches Long, Steel	1
22	17-40005-05	Gasket, Suction Service Valve (Valve to Compressor)	1
23	17-13020-00	Bolt, Hex Head, 1/2 - 13 x 2.50 Inches Long	4
24	42-00243-01	O-Ring, 1.171 ID x 0.139 Thick	2
25	40-00060-02	Elbow, Street, 1/4 FPT x 1/4 MPT	1
26	06DA403844	Valve Assembly, Schrader, 1/4 Male Flare	1
27	40-00086-04	Cap, Nut, 1/4 FFL, Brass	1



12.3 Compressor Installation Components - 68RM55-100-22

68PD537-104-119



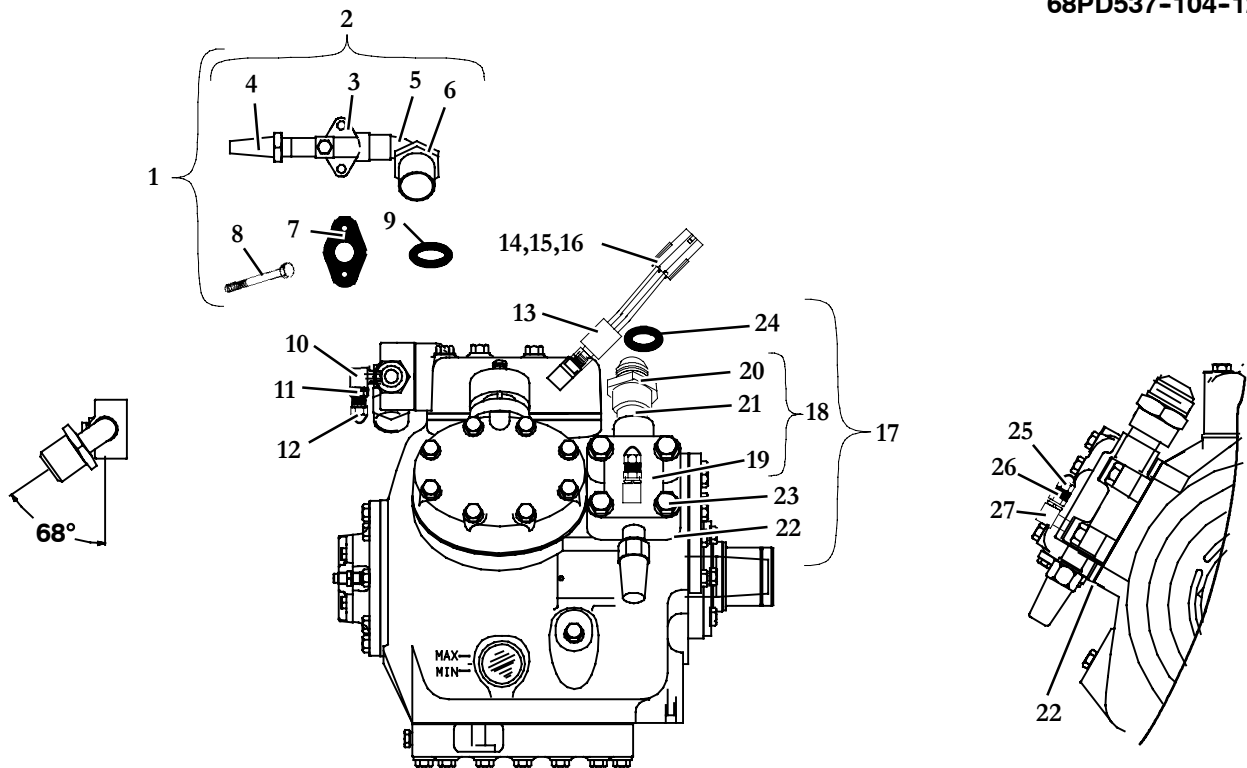
NOTE: Common Parts are listed under Section 12.1

Item	Part Number	Description	Qty
1	68PD2-110-88	Valve Assembly, Discharge, Service - Includes:	1
2	68PD1-333-6	Valve Assembly, Discharge, With Tube & Fitting - Includes:	1
3	14-01042-10	Valve, Discharge, Service, 7/8 ODF - Includes:	1
4	17-10812-00	Cap, Service Valve (With NSS O-Ring Seal)	1
5	68PD1-1092-1	Tube, Bent, 7/8 OD x .049W Steel	1
6	40-00491-00	Fitting, ORS, 7/8 ODF x 1-7/16	1
7	17-10811-05	Gasket, Discharge Service Valve (Valve to Compressor)	1
8	17-40012-00	Bolt, Hex Head, 5/16-18 x 2.00 Inches Long	2
9	42-00243-00	O-Ring, ORS-10, .921 ID x 0.139 Thick	2
10	40-00060-08	Elbow, Street, 1/4 FPT x 1/8 MPT	1
11	06DA403844	Valve Assembly, Schrader, 1/4 Male Flare	1
12	40-00086-04	Cap, Nut, 1/4 FFL, Brass	1
13	12-00299-21	Switch, Pressure, High - Includes:	1
14	22-02392-00SV	Connector Kit, 2 Pin, - Includes:	1
15	NSS	Connector, Male, 2 Pin, Black	1
16	22-02393-00	Terminal, Male (14-16 AWG)	2
17	22-02394-01	Seal, Cable, Blue	2
18	68PD2-110-5	Valve Assembly, Suction, Service - Includes:	1
19	68PD1-293	Valve Assembly, Suction, With Tube & Fitting - Includes:	1
20	17-31062-00	Valve, Suction, Service, 1-1/8 ODF	1
21	40-00491-01	Fitting, ORS, 1.125 ODF x 1-11/16-12	1
22	68PD1-1082	Tube, Suction, Straight, 1-1/8 OD x .065W x 2.00 Inches Long, Steel	1
23	17-40005-05	Gasket, Suction Service Valve (Valve to Compressor)	1
24	17-13020-00	Bolt, Hex Head, 1/2 - 13 x 2.50 Inches Long	4
25	42-00243-01	O-Ring, 1.171 ID x 0.139 Thick	2
26	40-00060-02	Elbow, Street, 1/4 FPT x 1/4 MPT	1
27	06DA403844	Valve Assembly, Schrader, 1/4 Male Flare	1
28	40-00086-04	Cap, Nut, 1/4 FFL, Brass	1



12.4 Compressor Installation Components - 68RM55-100-23, -24, -25

68PD537-104-122



NOTE: Common Parts are listed under Section 12.1

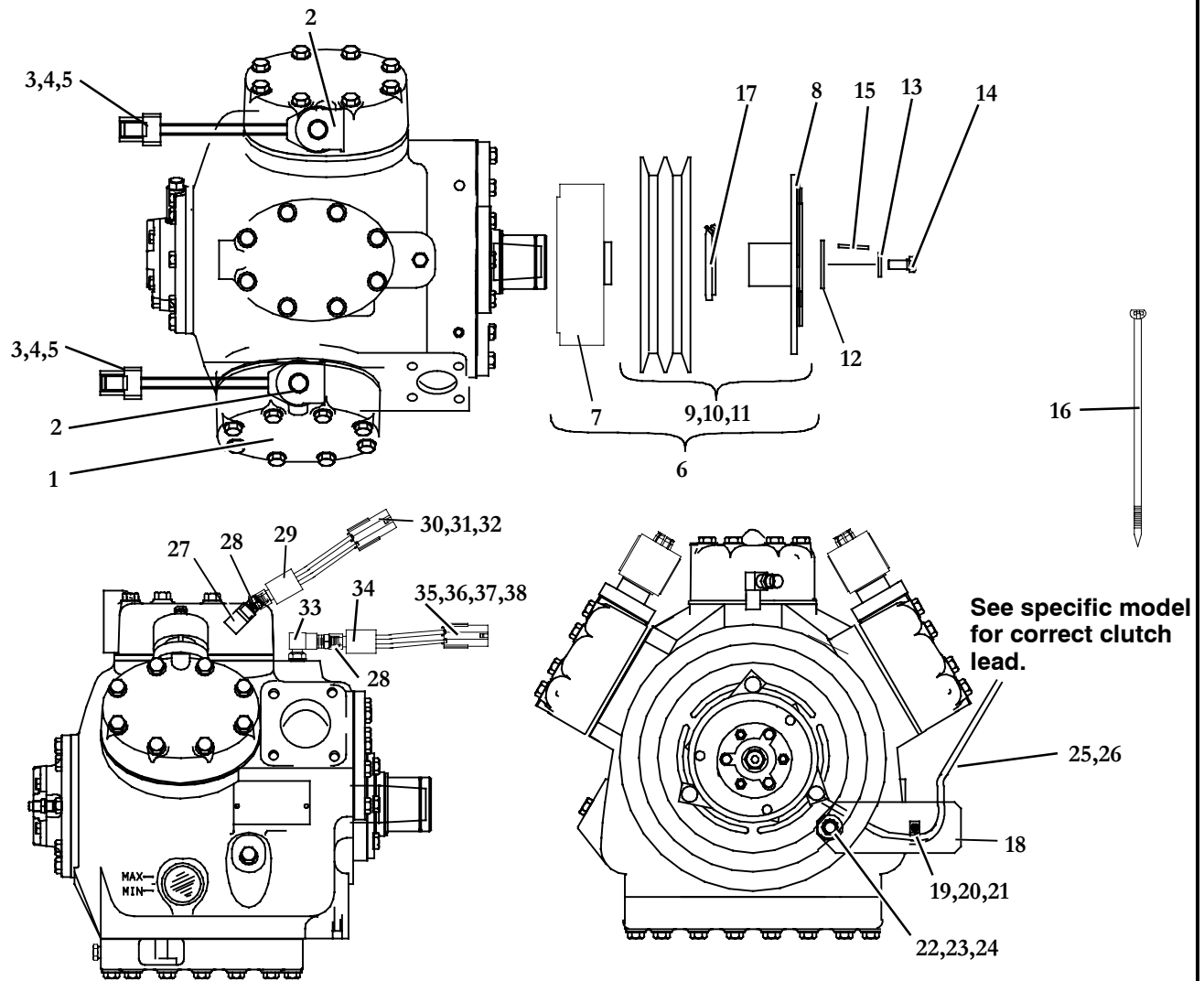
Item	Part Number	Description	Qty
1	68PD2-110-88	Valve Assembly, Discharge, Service - Includes:	1
2	68PD1-333-6	Valve Assembly, Discharge, With Tube & Fitting - Includes:	1
3	14-01042-10	Valve, Discharge, Service, 7/8 ODF - Includes:	1
4	17-10812-00	Cap, Service Valve (With NSS O-Ring Seal)	1
5	68PD1-1092-1	Tube, Bent, 7/8 OD x .049W Steel	1
6	40-00491-00	Fitting, ORS, 7/8 ODF x 1-7/16	1
7	17-10811-05	Gasket, Discharge Service Valve (Valve to Compressor)	1
8	17-40012-00	Bolt, Hex Head, 5/16-18 x 2.00 Inches Long	2
9	42-00243-00	O-Ring, ORS-10, .921 ID x 0.139 Thick	2
10	40-00060-08	Elbow, Street, 1/4 FPT x 1/8 MPT	1
11	06DA403844	Valve Assembly, Schrader, 1/4 Male Flare	1
12	40-00086-04	Cap, Nut, 1/4 FFL, Brass	1



12.4 Compressor Installation Components - 68RM55-100-23, -24, -25 (Continued)			
Item	Part Number	Description	Qty
13	12-00299-00	Switch, Pressure, High - Includes:	1
14	22-01585-00	Connector, Male, 2 Pin, Black	1
15	22-02393-00	Terminal, Male (14-16 AWG)	2
16	22-02394-01	Seal, Cable, Blue	2
17	68PD2-110-5	Valve Assembly, Suction, Service - Includes:	1
18	68PD1-293	Valve Assembly, Suction, With Tube & Fitting - Includes:	1
19	17-31062-00	Valve, Suction, Service, 1-1/8 ODF	1
20	40-00491-01	Fitting, ORS, 1.125 ODF x 1-11/16-12	1
21	68PD1-1082	Tube, Suction, Straight, 1-1/8 OD x .065W x 2.00 Inches Long, Steel	1
22	17-40005-05	Gasket, Suction Service Valve (Valve to Compressor)	1
23	17-13020-00	Bolt, Hex Head, 1/2 - 13 x 2.50 Inches Long	4
24	42-00243-01	O-Ring, 1.171 ID x 0.139 Thick	2
25	40-00060-02	Elbow, Street, 1/4 FPT x 1/4 MPT	1
26	06DA403844	Valve Assembly, Schrader, 1/4 Male Flare	1
27	40-00086-04	Cap, Nut, 1/4 FFL, Brass	1



12.5 Compressor Installation Components - R-134a Systems - Common Parts



Item	Part Number	Description	Qty
1	17-44062-00	Compressor Assembly, 05G Service (Remanufactured, 41 CFM, R-134a)	1
	18-00091-160	Compressor Assembly, 05G Service (New, Twin Port, 41 CFM, R-134a)	1
2	22-02804-02	Coil, Solenoid, Compressor Unloader, 24 VDC	2
3	22-02392-01	Connector, 2 Pin, Medium Gray	2
4	22-02393-01	Terminal, Male (18-20 AWG)	4
5	22-02394-00	Seal, Cable, Gray	4
6	50-01122-14	Clutch Assembly, 24 VDC (Less Lock Nut Item 17) - Includes:	1
7	50-01122-50	Coil, Clutch, 24 VDC	1
8	NSS	Armature Assembly	1
9	50-01122-93	Rotor And Armature Assembly (2-5V Groove At 10.50 Inches OD) - Includes:	1
10	04-00130-00	Bearing	1
11	34-01186-00	Ring, Retainer	1
12	68G2-9082	Washer, Special, 0.438 ID	1

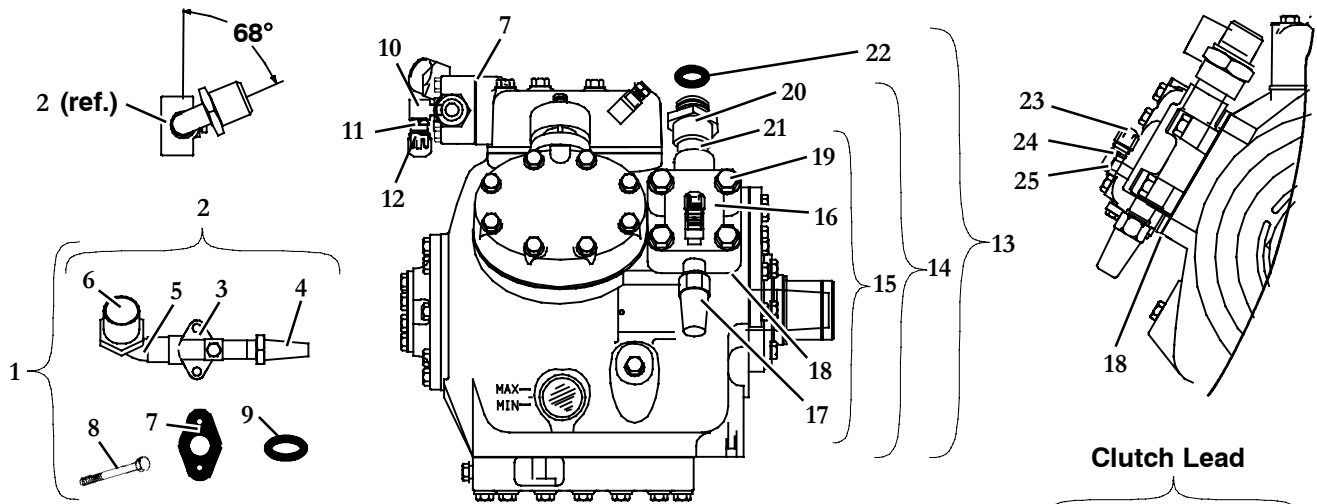


12.5 Compressor Installation Components - R-134a Systems - Common Parts (Continued)			
Item	Part Number	Description	Qty
13	AU11AS241	Washer, Split Lock, 3/8 Inch, Zinc Plated	1
14	34-00613-10	Screw, Hex Head Cap, 3/8-24 x 1.25 Inches Long, Grade 8, Zinc Plated	1
15	68G2-9072	Key, Crankshaft, Special	1
16	66U1-3882	Wire Tie, Self-Locking, 7.00 Inches, Black	1
17	34-06083-00	Nut, Lock, Clutch, Special	1
18	68PD1-1202	Bracket, Clutch Wire Support	1
19	34-00373-51	Clamp, Tube, 0.25 Inch Diameter, Cushioned	1
20	34-00827-10	Screw, Machine, Slotted, #8-32 x 0.625 Inch Long, SST	1
21	AT31AB101	Nut, Hex, Keps, #8-32, Zinc Plated	1
22	17-40037-05	Screw, Hex Head Cap, 3/8-16 x 1.00 Inch Long, Zinc Plated	1
23	AU02AB242	Washer, Plain, 3/8 SAE, Zinc Plated	1
24	34-00372-13	Washer, Lock, 3/8, External Tooth	1
25	62-02444-00	Label, Charge Only with R-134a	1
26	62-02913-00	Label, POE Oil (Compressor)	1
27	14-01093-00	Snubber Assembly, 90 Degree, 1/4 MPT x 1/4 FPT	1
28	06DA403844	Valve Assembly, Schrader, 1/4 Male Flare	2
29	12-00299-14	Switch, Pressure, High - Includes:	1
30	22-01585-00	Connector, Male, 2 Pin, Black	1
31	22-02393-00	Terminal, Male (14-16 AWG)	2
32	22-02394-01	Seal, Cable, Blue	2
33	40-01166-01	Elbow, Adapter, 1/4 FPT x 7/16 UNC	1
34	12-00299-01	Switch, Pressure, Low - Includes:	1
35	22-02392-00SV	Connector Kit, 2 Pin - Includes:	1
36	NSS	Connector, Male, 2 Pin, Black	1
37	22-02393-00	Terminal, Male (14-16 AWG)	2
38	22-02394-01	Seal, Cable, Blue (14-18 AWG)	2



12.6 Compressor Installation Components - 68RM55-101-3, -4, -5, -6, -7, -8

68PD541-104-54



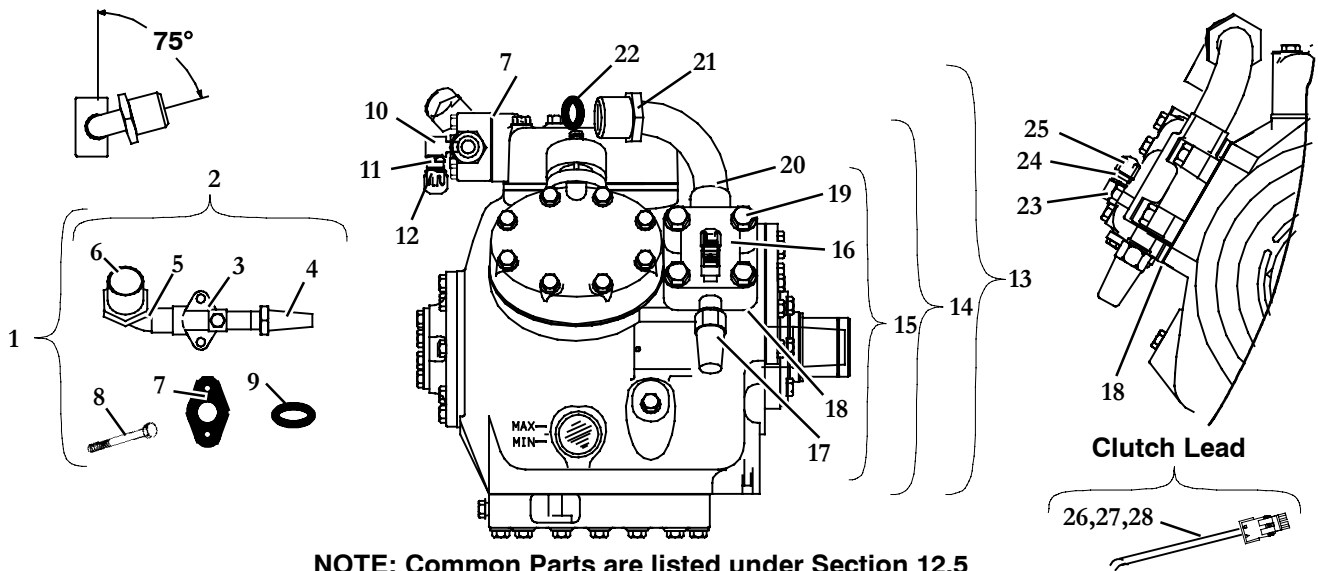
NOTE: Common Parts are listed under Section 12.5

Item	Part Number	Description	Qty
1	68PD2-110-88	Valve Assembly, Discharge, Service - Includes:	1
2	68PD1-333-6	Valve Assembly, Discharge, With Tube & Fitting - Includes:	1
3	14-01042-10	Valve, Discharge, Service, 7/8 ODF - Includes:	1
4	17-10812-00	Cap, Service Valve (With NSS O-Ring Seal)	1
5	68PD1-1092-1	Tube, Bent, 7/8 OD x .049W Steel	1
6	40-00491-00	Fitting, ORS, 7/8 ODF x 1-7/16	1
7	17-10811-05	Gasket, Discharge Service Valve (Valve to Compressor)	1
8	17-40012-00	Bolt, Hex Head, 5/16-18 x 2.00 Inches Long	2
9	42-00243-00	O-Ring, ORS-10, .921 ID x .139 Thick	2
10	40-00524-01	Elbow, 1/8 NPT x M15, High Pressure Side	1
11	40-00520-01	Coupling, Service Port, M15, R-134a - Includes:	1
12	40-00520-03	Cap, Service Port	1
13	68PD2-110-21	Valve Assembly, Suction, Service - Includes:	1
14	68PD1-293-3	Valve Assembly, Suction, With Tube & Fitting - Includes:	1
15	17-40002-01	Valve Package, Suction, Service - Includes:	1
16	NSS	Valve, Suction, Service, 1-3/8 ODF	1
17	17-10812-00	Cap, Service Valve Stem, With "O" Ring, Plastic	1
18	17-40005-05	Gasket, Suction Service Valve (Valve to Compressor)	1
19	17-13020-00	Bolt, Hex Head, 1/2-13 x 2.50 Inches Long	4
20	40-00491-04	Fitting, ORS, 1.375 ODF x 2.00-12	1
21	68PD1-1082-2	Tube, Suction, Straight, 1-3/8 OD x .065W x 2.19 Inches Long, Steel	1
22	42-00243-02	O-Ring, 1.484 ID x 0.139 Thick	2
23	40-00524-00	Elbow, 1/4 NPT x M13, Low Pressure Side	1
24	40-00520-00	Coupling, Service Port, M13, R-134a - Includes:	1
25	40-00520-02	Cap, Service Port	1
26	22-02393-00	Terminal, Male (14-16 AWG)	2
27	22-02394-01	Seal, Cable, Blue	2
28	22-01585-02	Connector, Male, 2 Pin, Medium Gray	1



12.7 Compressor Installation Components - 68RM55-101-9

68PD541-104-78

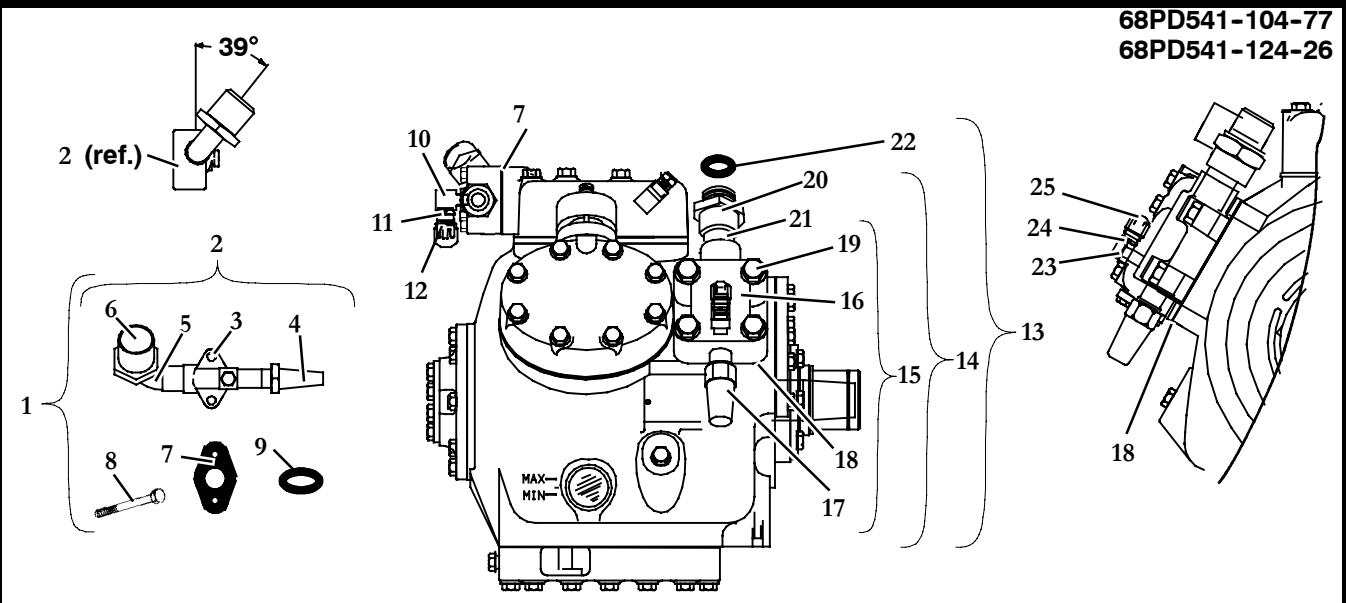


NOTE: Common Parts are listed under Section 12.5

Item	Part Number	Description	Qty
1	68PD2-110-94	Valve Assembly, Discharge, Service - Includes:	1
2	68PD1-333-8	Valve Assembly, Discharge, With Tube & Fitting - Includes:	1
3	14-01042-10	Valve, Discharge, Service, 7/8 ODF - Includes:	1
4	17-10812-00	Cap, Service Valve (With NSS O-Ring Seal)	1
5	56-08459-00	Tube, Bent, 7/8 OD x .049W Steel	1
6	40-00491-00	Fitting, ORS, 7/8 ODF x 1-7/16	1
7	17-10811-05	Gasket, Discharge Service Valve (Valve to Compressor)	1
8	17-40012-00	Bolt, Hex Head, 5/16-18 x 2.00 Inches Long	2
9	42-00243-00	O-Ring, ORS-10, .921 ID x .139 Thick	2
10	40-00524-01	Elbow, 1/8 NPT x M15, High Pressure Side	1
11	40-00520-01	Coupling, Service Port, M15, R-134a - Includes:	1
12	40-00520-03	Cap, Service Port	1
13	68PD2-110-43	Valve Assembly, Suction, Service - Includes:	1
14	81-01991-00	Valve Assembly, Suction, With Tube & Fitting - Includes:	1
15	17-40002-01	Valve Package, Suction, Service - Includes:	1
16	NSS	Valve, Suction, Service, 1-3/8 ODF	1
17	17-10812-00	Cap, Service Valve Stem, With "O" Ring, Plastic	1
18	17-40005-05	Gasket, Suction Service Valve (Valve to Compressor)	1
19	17-13020-00	Bolt, Hex Head, 1/2-13 x 2.50 Inches Long	4
20	56-08458-00	Tube, Suction, Bent, 1-3/8 OD x .065W Steel	1
21	40-00491-04	Fitting, ORS, 1.375 ODF x 2	1
22	42-00243-02	O-Ring, 1.484 ID x 0.139 Thick	2
23	40-00524-00	Elbow, 1/4 NPT x M13, Low Pressure Side	1
24	40-00520-00	Coupling, Service Port, M13, R-134a - Includes:	1
25	40-00520-02	Cap, Service Port	1
26	22-02393-00	Terminal, Male (14-16 AWG)	2
27	22-02394-01	Seal, Cable, Blue	2
28	22-01585-02	Connector, Male, 2 Pin, Medium Gray	1



12.8 Compressor Installation Components - 68RM55-101-7, -8, -9, -10, -11, -12, -15, -16, -17, -18, -19, -20, -21, -23, -24, -25, -26



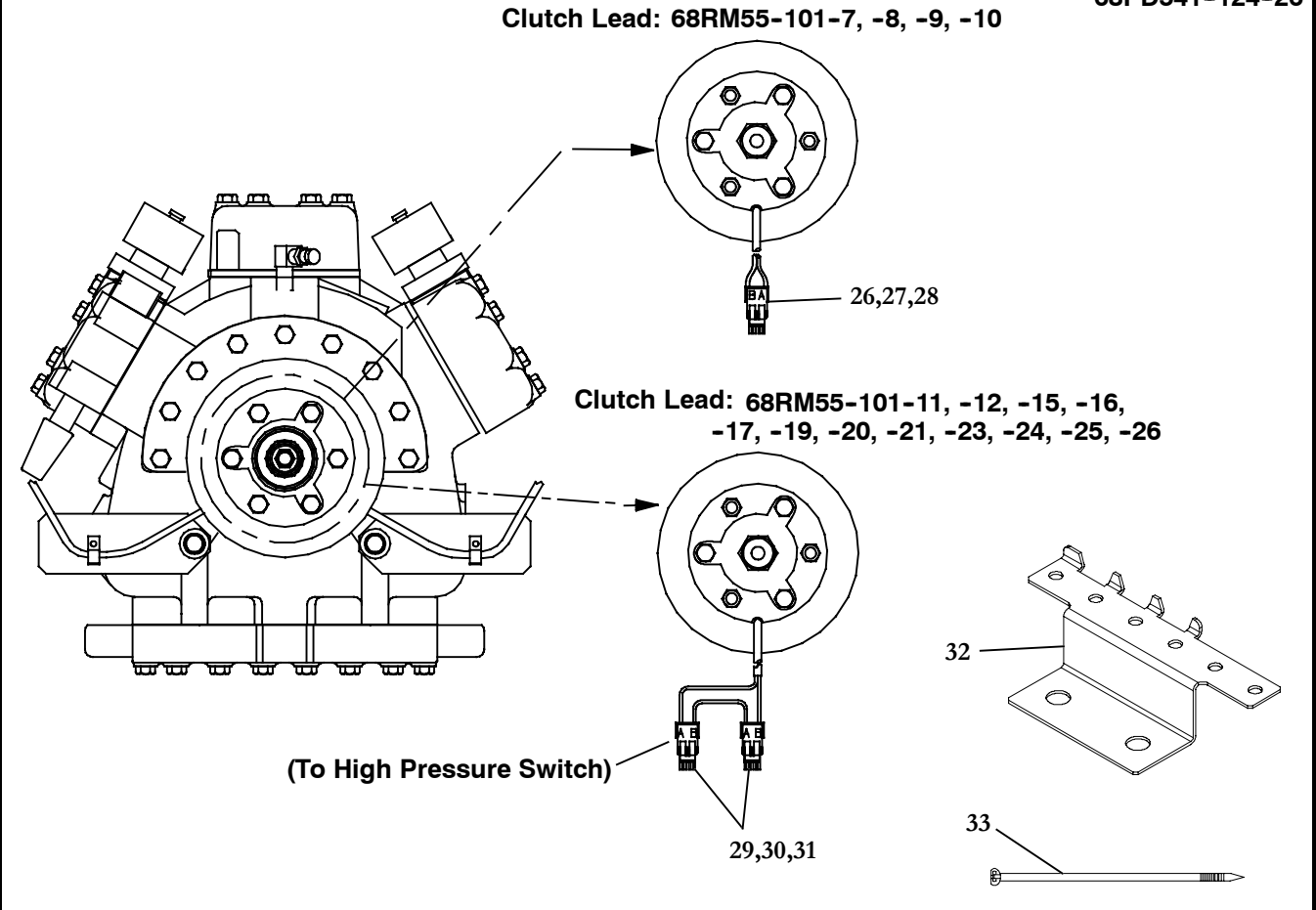
NOTE: Common Parts are listed under Section 12.5

Item	Part Number	Description	Qty
1	68PD2-110-93	Valve Assembly, Discharge, Service - Includes:	1
2	68PD1-333-7	Valve Assembly, Discharge, With Tube & Fitting - Includes:	1
3	14-01042-10	Valve, Discharge, Service, 7/8 ODF - Includes:	1
4	17-10812-00	Cap, Service Valve (With NSS O-Ring Seal)	1
5	68PD1-1092-1	Tube, Bent, 7/8 OD x .049W Steel	1
6	40-00491-00	Fitting, ORS, 7/8 ODF x 1-7/16	1
7	17-10811-05	Gasket, Discharge Service Valve (Valve to Compressor)	1
8	17-40012-00	Bolt, Hex Head, 5/16-18 x 2.00 Inches Long	2
9	42-00243-00	O-Ring, ORS-10, .921 ID x .139 Thick	2
10	40-00524-01	Elbow, 1/8 NPT x M15, High Pressure Side	1
11	40-00520-01	Coupling, Service Port, M15, R-134a - Includes:	1
12	40-00520-03	Cap, Service Port	1
13	68PD2-110-21	Valve Assembly, Suction, Service - Includes:	1
14	68PD1-293-3	Valve Assembly, Suction, With Tube & Fitting - Includes:	1
15	17-40002-01	Valve Package, Suction, Service - Includes:	1
16	NSS	Valve, Suction, Service, 1-3/8 ODF	1
17	17-10812-00	Cap, Service Valve Stem, With "O" Ring, Plastic	1
18	17-40005-05	Gasket, Suction Service Valve (Valve to Compressor)	1
19	17-13020-00	Bolt, Hex Head, 1/2-13 x 2.50 Inches Long	4
20	40-00491-04	Fitting, ORS, 1.375 ODF x 2.00-12	1
21	68PD1-1082-2	Tube, Suction, Straight, 1-3/8 OD x .065W x 2.19 Inches Long, Steel	1
22	42-00243-02	O-Ring, 1.484 ID x 0.139 Thick	2
23	40-00524-00	Elbow, 1/4 NPT x M13, Low Pressure Side	1
24	40-00520-00	Coupling, Service Port, M13, R-134a - Includes:	1
25	40-00520-02	Cap, Service Port	1



12.8 Compressor Installation Components - 68RM55-101-7, -8, -9, -10, -11, -12, -15, -16, -17, -18, -19, -20, -21, -23, -24, -25, -26 (Continued)

68PD541-104-77
68PD541-124-26

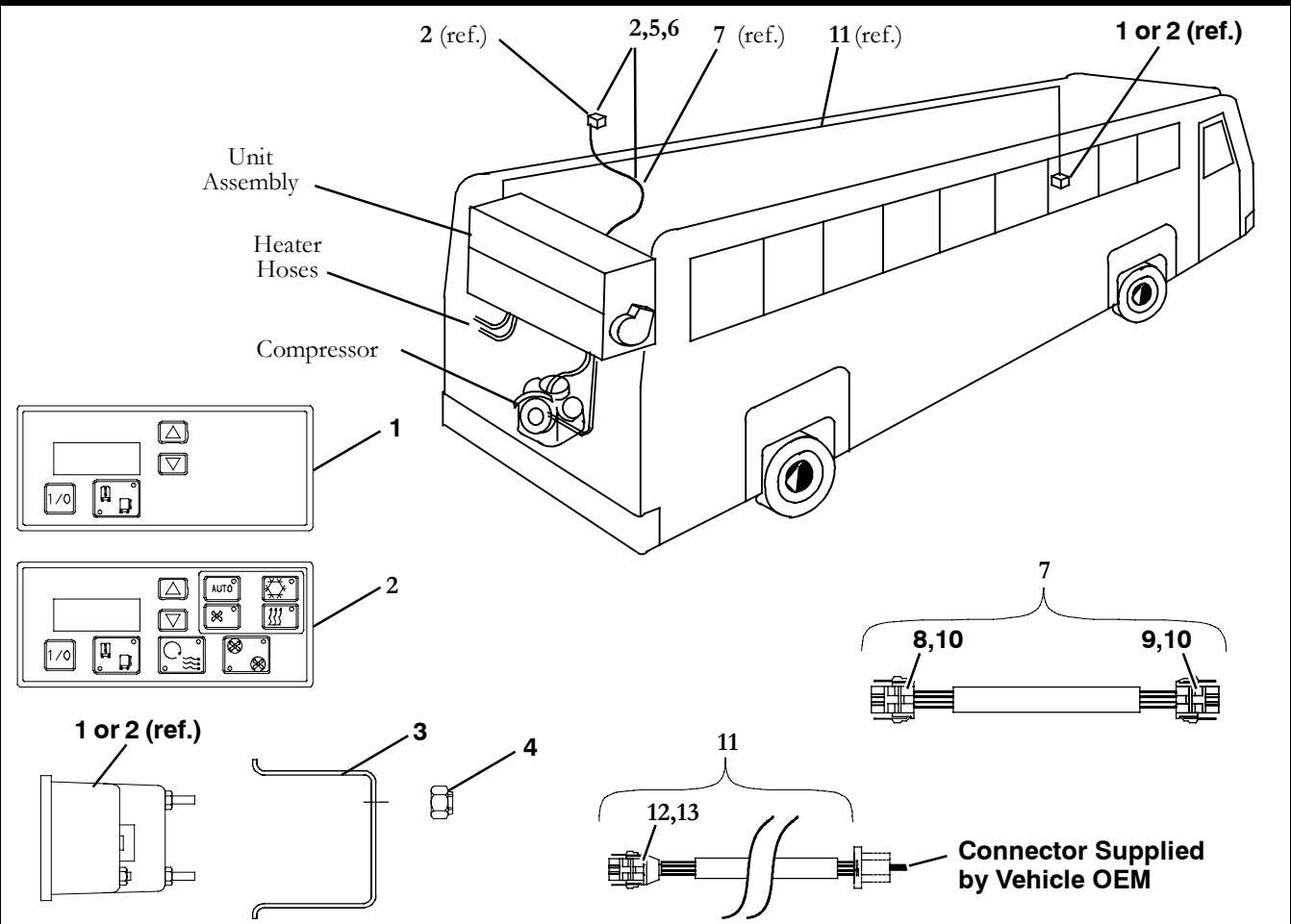


NOTE: Common Parts are listed under Section 12.5

Item	Part Number	Description	Qty
		Used On Compressors Installed With: 68RM55-101-7, -8, -9, -10	
26	22-02393-00	Terminal, Male (14-16 AWG)	2
27	22-02394-01	Seal, Cable, Blue	2
28	22-01585-02	Connector, Male, 2 Pin, Medium Gray	1
		Used On Compressors Installed With: 68RM55-101-11, -12, -15, -16, -17, -18, -19, -20, -21, -23, -24, -25, -26	
29	22-02393-00	Terminal, Male (14-16 AWG)	4
30	22-02394-01	Seal, Cable, Blue	4
31	22-01585-02	Connector, Male, 2 Pin, Medium Gray	2
32	68-15460-00	Bracket, Harness Support	1
33	HY76TB130	Wire Tie, Self-Locking, 5.50 Inches	14



13 MICROMATE CONTROL PANEL



Item	Part Number	Description	Qty
1	12-00580-00	Module, Drivers Display (Micromate Control Panel)	1
2	12-00391-03	Module, Drivers Display (Micromate Control Panel) (Full Function)	1
3	68-62125-00	Clamp, Retaining, Driver's Display, Painted	2
4	34-00667-57	Nut, Hex, Self-Locking, #6-32, SST	2
5	CM090-226	Kit, Microprocessor Diagnostic Service Tool With Harness - Includes:	1
2	12-00391-03	Module, Drivers Display (Micromate Control Panel) (Full Function)	1
6	CM201-968	Harness, Display Module, 70 Inches (One End Uses Deutsch Connector)	1
7	22-62032-00	Harness, Display Module, 35 Inches (Used With Micromate As A Diagnostic Tool, Connects To J2 Port On Controller Logic Module) - Includes:	1
	22-62063-02	Harness, Display Module, 120 Inches (Used With Micromate As A Diagnostic Tool, Connects To J2 Port On Controller Logic Module) - Includes:	
8	22-62026-00	Connector, 6 Position, Red (MCP)	1
9	22-50145-00	Connector, 4 Position(J2)	1
10	22-50152-00	Terminal, Female Receptacle (16-26 AWG)	8
11	22-62062-00	Harness, A/C Control, 58 Feet Long (Installed By Vehicle Manufacturer) - Includes:	1
12	22-62026-00	Connector, 6 Position, RED (MCP)	1
13	22-50152-00	Terminal, Female Receptacle (16-26 AWG)	4



PARTS INDEX

0

02-00010-01 65, 71
 02-00314-00 74, 75
 02-62001-00 78
 04-00130-00 83, 89
 06DA403844 84, 85, 86, 87, 88, 90
 08-00192-02 46
 08-62002-00 47
 08-62008-01 46
 08-62011-00 46
 08-62019-00 46, 47
 08-62022-01 47
 08-62025-01 46

1

10-00247-03 26, 28, 32, 35, 38, 41, 44
 10-00247-05 32, 34, 37, 40, 43
 10-00286-09 27, 29, 33, 35, 38, 41, 44
 10-00286-11 27, 28, 32, 34, 37, 40, 43
 10-00286-12 27, 28, 32, 34, 37, 40, 43
 10-00300-02 26, 29, 33, 35, 38, 41, 44
 10-00307-01 26, 28, 37, 41
 10-00309-00 38, 41
 10-00314-00 38, 41
 10-00315-00 2, 5, 7, 11, 13, 15, 17, 19, 23, 25
 12-00299-00 85, 88
 12-00299-01 84, 90
 12-00299-14 90
 12-00299-21 86
 12-00352-00 3, 5, 8, 11, 13, 15, 17, 19, 22, 25
 12-00371-01 27, 28, 32, 34, 37, 40, 43
 12-00391-03 7, 11, 17, 20, 23, 95
 12-00392-15 27, 28, 32, 34, 37, 43

12-00495-02SV 3, 4, 6, 9, 12, 14, 16, 18, 21, 24, 27, 29, 33, 36, 39, 42, 45
 12-00546-00 40
 12-00580-00 95
 14-00111-00 51, 56, 60, 64, 69
 14-00194-00 73
 14-00196-00 49
 14-00236-00 49, 54, 58, 62, 67
 14-00236-50 49, 54, 58, 62, 67
 14-00236-51 49, 54, 58, 62, 67
 14-00281-04 49, 56, 58, 62, 67
 14-00320-00 51, 54, 60, 64, 71
 14-00351-00 46, 47, 49, 54, 56, 58, 60, 62, 64, 67, 69
 14-01032-01 51, 56, 60, 64, 69
 14-01042-10 85, 86, 87, 91, 92, 93
 14-01093-00 84, 90
 14-01104-44 58, 62, 67
 14-01104-52 49, 54
 14-01110-02 73
 14-50036-00 73
 14-50050-01 49, 56, 58, 62, 67
 14-50051-00 49, 56, 58, 62, 67
 14-50093-00 49, 56, 58, 62, 67
 16-03301-00 49, 56, 58, 62, 67
 17-10811-05 85, 86, 87, 91, 92, 93
 17-10812-00 85, 86, 87, 91, 92, 93
 17-13020-00 85, 86, 88, 91, 92, 93
 17-31062-00 85, 86, 88
 17-40002-01 91, 92, 93
 17-40005-05 85, 86, 88, 91, 92
 17-40012-00 85, 86, 87, 93
 17-40037-05 84, 90
 17-44012-00 91, 92
 17-44062-00 89
 18-00059-169 83
 18-00091-150 83



PARTS INDEX

18-00091-160 89

2

22-00121-27 31, 41
 22-00872-01 11, 15
 22-01449-00 28, 32, 35, 38, 40, 43
 22-01563-04 35, 39
 22-01563-05 29, 33, 41, 44
 22-01565-00 2, 5, 7, 11, 13, 17, 19, 23, 25
 22-01565-01 3, 5, 7, 11, 13, 15, 17, 19, 23, 25
 22-01566-01 5, 19, 22, 24, 27, 30, 31, 36, 39, 45
 22-01584-00 11, 15
 22-01585-00 15, 85, 88, 90
 22-01585-00SK 19, 25
 22-01585-00SV 3, 5, 7, 10, 13, 15, 17, 22
 22-01585-02 3, 84, 91, 92, 94
 22-01585-04 5, 19, 23, 25
 22-01594-00 27, 29, 33, 35, 38, 41, 44
 22-01612-00 26, 29, 33, 35, 39, 41, 44
 22-01613-14 27, 36, 39
 22-01660-03 27, 36, 39
 22-02126-02 77, 81
 22-02126-03 13, 77, 79, 81
 22-02302-02 3, 13, 19, 22
 22-02302-03 3, 4, 6, 9, 12, 14, 16, 18, 21, 24
 22-02336-04 28, 32, 35, 38, 40, 43, 45
 22-02336-06 27, 28, 32, 34, 37, 40, 43
 22-02336-25 29
 22-02338-02 35, 38, 45
 22-02338-03 29
 22-02392-00SV 3, 5, 7, 10, 13, 15, 17, 19, 22, 25, 30, 31, 33, 42, 45, 84, 86, 90
 22-02392-01 3, 83, 89

22-02393-00 3, 5, 7, 10, 13, 15, 17, 19, 22, 25, 27, 84, 85, 86, 88, 90, 91, 92, 94
 22-02393-01 3, 4, 5, 6, 7, 9, 10, 12, 13, 14, 15, 16, 17, 18, 19, 21, 22, 24, 25, 30, 31, 33, 36, 39, 42, 45, 83, 89
 22-02394-00 3, 4, 6, 7, 9, 12, 14, 16, 18, 21, 24, 83, 89
 22-02394-01 3, 5, 10, 13, 15, 17, 19, 22, 25, 30, 31, 33, 42, 45, 84, 85, 86, 88, 90, 91, 92, 94
 22-02394-02 5, 19, 22, 24, 27, 36, 39
 22-02448-00SV 3, 5, 8, 11, 13, 15, 17, 19, 23, 25
 22-02804-02 83, 89
 22-02855-00 45
 22-02856-00 44
 22-02870-00 31
 22-02893-00 45
 22-02901-00 29
 22-02905-00 44
 22-50078-09A 2, 5, 7, 11, 13, 15, 17, 19, 23, 25
 22-50078-76B 3, 5, 8, 11, 13, 15, 17, 19, 23, 25
 22-50100-00 3, 5, 8, 11, 13, 15, 17, 19, 23, 25
 22-50122-05 33, 36, 39, 42, 45
 22-50122-15 45
 22-50134-00 27, 29, 33, 36, 39, 42, 45
 22-50135-00 27, 29, 30, 31, 33, 35, 39, 42, 45
 22-50136-00 27, 30, 31, 33, 35, 39, 42, 45
 22-50137-00 27, 30, 31, 33, 35, 39, 42, 45
 22-50138-00 27, 30, 31, 33, 36, 39, 42, 45
 22-50143-00 27, 30, 31, 33, 35, 39, 42, 45
 22-50144-00 27, 29, 33, 35, 39, 42, 45
 22-50145-00 5, 7, 11, 19, 20, 22, 23, 24, 27, 35, 39, 95
 22-50146-00 27, 30, 31, 33, 35, 39, 42, 45
 22-50148-00 27, 29, 30, 31, 33, 36, 39, 42, 45



PARTS INDEX

22-50152-00 5, 7, 11, 19, 20, 22, 23, 24,
27, 29, 30, 31, 33, 36, 39, 42, 45, 95

22-50153-00 27, 29, 33, 36, 39, 42, 45

22-50236-00 27, 28, 32, 34, 37, 40, 43

22-50275-00 27, 29, 33, 36, 39, 42, 45

22-50346-00 31, 33, 45

22-50347-00 31, 33, 45

22-62026-00 7, 11, 17, 20, 23, 95

22-62032-00 95

22-62055-00 35

22-62062-00 95

22-62063-00 7, 11, 17, 20, 23

22-62063-02 95

22-62072-00 39

22-62076-00 29, 42

22-62077-00 33

22-62080-00 33, 45

22-62085-00 30

22-62086-00 41

22-62087-00 29

22-62089-00 5, 19, 22, 24

22-62105-00 33, 42

3

34-00360-09 27, 28, 32, 34, 40, 43

34-00360-11 37

34-00372-13 84, 90

34-00373-03 3, 4, 6, 11, 12, 14, 16, 18, 21,
24, 27

34-00373-07 5, 7, 9, 13, 15, 17, 19, 23, 25

34-00373-13 5, 8, 9, 13, 15, 17, 19, 22, 25,
69

34-00373-51 84, 90

34-00613-10 84, 90

34-00655-06 3, 4, 6, 12, 14, 16, 18, 21, 24,
26, 34, 54, 58, 62, 67, 69, 74, 75, 76, 79

34-00655-08 2, 27, 29, 33, 41, 44, 51, 79,
80, 82

34-00662-08 26, 29, 33, 35, 38, 41, 44, 54,
62, 67

34-00662-09 3, 35, 37, 43

34-00662-11 26, 29, 32, 34, 37, 40, 43, 49,
54, 58, 62, 67, 74, 75, 76, 79, 80, 81, 82

34-00662-12 46, 47, 49, 54, 60, 64, 69

34-00662-13 51, 54, 58, 62, 67

34-00662-18 73

34-00663-08 26, 29, 33, 35, 38, 41, 44, 49,
54, 58, 62, 67

34-00663-09 3, 35, 38

34-00663-11 3, 4, 6, 9, 12, 14, 16, 18, 21,
24, 26, 29, 33, 34, 37, 41, 44, 49, 54, 58, 62, 67,
74, 75, 76, 79, 80, 81, 82

34-00663-12 46, 47, 49, 54, 60, 64, 69, 76,
77, 78

34-00663-13 51, 54, 58, 62, 67, 76, 77

34-00665-06 9, 37, 49

34-00665-14 73

34-00666-11 5, 7, 11, 13, 15, 17, 19, 23,
25, 56, 58, 62, 67, 79, 80, 81, 82

34-00667-07 7, 11, 17, 26, 34, 37

34-00667-09 11, 15, 26, 28, 32, 35, 37, 40,
43

34-00667-11 49

34-00667-57 95

34-00672-00 76, 78

34-00792-06 46, 47

34-00792-08 76, 77, 78

34-00799-04 49, 54, 60, 64, 69

34-00807-08 51, 56, 60, 64, 69, 76, 77

34-00827-10 84, 90

34-00855-04 54, 58, 62, 67

34-00879-03 2, 5, 7, 11, 13, 15, 17, 19, 23,
25

34-00938-13 2, 5, 7, 11, 13, 15, 17, 19, 23,
25



PARTS INDEX

34-01186-00	83, 89	4	
34-01268-01	3, 5, 7, 10, 13, 15, 17, 19, 22, 25		40-00060-02 85, 86, 88
34-01317-00	72, 81, 82		40-00060-03 51, 56, 60, 64, 69
34-06083-00	84, 90		40-00060-08 85, 86, 87
34-06088-00	51, 56, 60, 64, 69		40-00081-00 46, 47
34-06088-01	51, 56		40-00086-04 85, 86, 87, 88
34-06088-02	60, 64, 69		40-00201-15 56
34-06088-04	69		40-00491-00 49, 56, 58, 62, 67, 85, 86, 87, 91, 92, 93
34-06088-05	69		40-00491-01 49, 54, 85, 86, 88
34-06095-00	2		40-00491-04 60, 64, 69, 91, 92, 93
34-06095-01	5, 7, 11, 13, 15, 17, 19, 23, 25		40-00491-15 69
34-06121-03	51, 54, 60, 64, 69		40-00501-05 60, 64, 71
34-06121-04	51, 56, 60, 64, 71		40-00501-06 51, 54, 56
34-06179-01	11, 15, 35, 38		40-00501-07 58, 62, 67
34-06179-03	26, 28, 32, 35, 37, 40, 43		40-00501-08 56
34-06212-12	2, 4, 6, 9, 12, 14, 16, 19, 21, 24		40-00501-50 51, 54, 56, 58, 60, 62, 64, 67, 69, 71
34-06212-14	76, 77		40-00503-03 51, 54, 60, 64, 69
34-06212-15	73		40-00503-04 51, 56, 60, 64, 71
34-06264-03	54, 58, 62, 67		40-00520-00 91, 92, 93
34-06264-04	26, 29, 33, 35, 38, 41, 44, 49		40-00520-01 91, 92, 93
34-06264-06	26, 29, 33, 35, 38, 41, 44		40-00520-02 91, 92, 93
34-50048-00	26, 34, 37		40-00520-03 91, 92, 93
34-62000-00	27, 28, 32, 34, 37, 40, 43		40-00524-00 91, 92, 93
34-62000-01	27, 28, 32, 34, 37, 40, 43		40-00524-01 91, 92, 93
34-62001-00	2, 5, 7, 11, 13, 15, 17, 19, 23, 25		40-00541-02 73
34-62055-00	29, 32, 40, 43		40-01124-00 46, 47, 49, 54, 56, 58, 60, 62, 64, 67, 69
38-00512-00	78		40-01166-01 84, 90
38-00512-01	78		40-62028-00 69
38-00516-00	76		40-62032-02 69
38-00571-20	81, 82		42-00032-00 51, 56, 65, 71
38-00571-21	81, 82		42-00243-00 51, 56, 60, 64, 69, 85, 86, 87, 91, 92, 93
			42-00243-01 51, 56, 85, 86, 88, 92
			42-00243-02 60, 64, 69, 91, 93



PARTS INDEX

42-00243-03 51, 54, 60, 64, 69, 71
 42-00243-11 51, 54, 60, 64, 71
 42-62005-00 27, 28, 32, 34, 37, 40, 43
 42-62009-00 74, 75
 42-62022-00 47
 42-62023-00 47
 42-62024-00 47
 42-62070-00 81, 82
 42-62070-01 81, 82
 44-00045-03 56
 44-00102-51 5, 15, 23, 25
 44-00318-00 73
 44-00337-12 56
 44-01171-00 72

5

50-00122-14 83, 89
 50-00122-50 83, 89
 50-00122-93 83, 89
 54-00122-23 76, 77, 79, 80, 82
 54-00508-20 79
 54-00508-30 76, 80, 82
 54-00517-20 76, 80, 82
 54-00533-00 77
 54-00575-00 80, 82
 54-00575-28 80, 82
 54-00575-50 80, 82
 54-50067-00 77, 79
 54-50067-31 76, 77, 79
 56-00143-74 64, 69
 56-00143-75 64, 71
 56-00143-78 51, 54, 56
 56-00145-26 49, 56, 58, 62, 67
 56-03843-06 54, 64, 69

56-03900-01 69
 56-03901-00 69
 56-08458-00 92
 56-08459-00 92
 56-62017-00 49, 56, 58, 62, 67
 56-62026-00 49
 56-62027-00 49
 56-62029-00 51
 56-62032-00 49
 56-62033-00 49
 56-62070-00 73
 56-62071-00 73
 56-62088-00 58
 56-62089-00 54, 58, 62, 67
 56-62093-00 69
 56-62126-00 60, 64, 71
 56-62140-00 56
 56-62141-00 54, 62, 67
 56-62142-00 54
 56-62143-00 56
 56-62143-75 60
 56-62207-00 49, 54, 58, 62, 67
 58-00065-27 11, 41
 58-00065-49 3, 5, 7, 11, 13, 15, 17, 19, 23, 25
 58-00065-52 54, 58, 62, 67
 58-00065-85 5, 7, 11, 13, 15, 17, 19, 23, 25, 54, 58, 62, 67
 58-00065-87 5, 7, 11, 12, 15, 17, 19, 22, 23, 25, 49
 58-00079-00 27, 31, 36, 39, 41, 45
 58-00511-00 34
 58-00511-08 27, 28, 32, 37, 40, 43
 58-00712-17 73
 58-00848-00 25
 58-00848-33 3, 5, 7, 13, 15, 19, 22



PARTS INDEX

58-00850-00 3, 5, 8, 11, 13, 15, 17, 19, 23,
25, 31, 36, 39, 41, 45

58-00858-00 3, 5, 7, 11, 13, 17, 19, 25

58-00858-33 15

58-62022-00 69

6

62-02444-00 90

62-02913-00 90

62-03797-00 84

62-04062-01 74, 75

62-62001-00 74, 75

62-62003-00 74, 75

62-62007-00 26

62-62011-00 26

62-62012-00 2

62-62020-00 74, 75

62-62037-00 74, 75

62-62038-00 76, 77, 79, 80, 82

62-62039-00 75

62-62039-01 74

62-62040-02 26, 35, 39

62-62040-04 29, 33, 41, 44

62-62041-00 73

62-62041-01 73

62-62041-04 5, 7, 11, 13, 15, 17, 19, 23,
25

62-62041-05 5, 7, 11, 13, 15, 17, 19, 23,
25

62-62041-06 5, 7, 11, 13, 15, 17, 19, 23,
25

62-62041-11 29, 33, 35, 38, 41, 44

62-62041-13 29, 38, 41

62-62041-16 27, 29, 32, 35, 38, 41, 44

62-62041-20 29, 33, 35, 39, 41, 44

62-62041-21 29, 39, 41

62-62041-22 5, 11, 23, 26, 33, 35, 38, 44

62-62041-23 32, 41, 44

62-62041-24 28, 32, 34, 37, 40, 43

62-62041-25 28, 32, 35, 38, 41, 44

62-62041-26 29, 33, 35, 38, 41, 44

62-62041-27 28, 32, 34, 37, 40, 43

62-62043-00 32, 35, 44

62-62043-01 28, 38, 41

62-62043-02 32, 35, 44

62-62043-03 28, 38, 41

62-62043-04 32, 34, 38, 41, 44

62-62043-05 28

62-62043-06 32, 34, 37, 41, 43

62-62043-07 28

62-62044-00 28, 32, 35, 38, 41, 44

62-62045-00 74, 75

65-01093-00 51, 56, 60, 64, 69

66CH1-1212-8 73

66U1-1214-5 49, 54, 58, 62, 67

66U1-3041 73

66U1-3803-15 76, 77, 79, 80, 82

66U1-3882 3, 4, 6, 11, 12, 14, 16, 18, 21,
24, 27, 31, 36, 39, 41, 45, 73, 84, 90

66U1-5371-10 3

66U1-9122 46, 47

68-08074-01 69

68-15460-00 94

68-62084-00 26

68-62125-00 7, 11, 17, 20, 23, 95

68-62158-01 54, 58, 62, 67

68-62233-00 74, 75

68-62266-00 60

68-62275-00 41

68-62320-00 4, 6, 9, 13, 14, 16, 19, 21, 24

68-62402-00 7, 11, 17, 20, 23

68-62477-00 34, 37



PARTS INDEX

68-62492-00	69	68RM35-1162-3	60
68-62504-00	69	68RM35-1163-9	74, 75
68-62523-00	56, 58, 62, 67	68RM35-117P	80, 82
68-62571-00	37	68RM35-1258-1	27
68-62603-00	28, 32, 40, 43	68RM35-1303	74, 75
68-62604-00	28, 32, 40, 43	68RM35-187P	76, 77
68-62638-01	54, 58, 62, 67	68RM35-267	3, 4, 6, 9, 12, 14, 16, 18, 21, 24
68-62640-00	56	68RM35-433P	77
68-62649-00	64, 69	68RM40-1188	58, 62, 67
68G2-9072	84, 90	68RM40-1356P	27, 34, 37
68G2-9082	83, 89	68RM40-157	26, 29, 33, 35, 39, 41, 44
68PD1-1082	85, 86, 88	68RM40-202-2	78, 79
68PD1-1082-2	91, 93	68RM40-202-3	80, 81, 82
68PD1-1092-1	85, 86, 87, 91, 93	68RM45-193	73
68PD1-1202	84, 90	68RM55-1005P	51
68PD1-293	85, 86, 88	68RM55-1017	51
68PD1-293-3	91, 93	68RM55-1025	51
68PD1-333-5	85	68RM55-1025-1	54, 58, 62, 67
68PD1-333-6	86, 87, 91	68RM55-1028P	34
68PD1-333-7	93	68RM55-1037	79, 80
68PD1-333-8	92	68RM55-1037-1	79, 80
68PD2-110-21	91, 92, 93	68RM55-1076	78
68PD2-110-5	85, 86, 88	68RM55-1111	58, 62, 67
68PD2-110-79	85	68RM55-1112	58, 62, 67
68PD2-110-88	86, 87, 91	68RM55-1113	60, 65, 71
68PD2-110-93	93	68RM55-1114	60, 64, 71
68PD2-110-94	92	68RM55-1115	58, 64, 69
68RM35-1027P	27	68RM55-1118	60, 64, 71
68RM35-1036P	26	68RM55-1141	60, 64, 71
68RM35-1037	26	68RM55-1142P	79, 80, 81, 82
68RM35-1046	26	68RM55-1152	73
68RM35-107P	78, 79, 81	68RM55-1166	60, 64
68RM35-1106P	78	68RM55-1168P	60, 64
68RM35-1112P	51, 54	68RM55-1175	58, 62, 67
68RM35-1133	76	68RM55-120P	46



PARTS INDEX

68RM55-122P 46

68RM55-127 49

68RM55-128 49

68RM55-129 49

68RM55-131-12 2

68RM55-131-14 12

68RM55-131-15 14

68RM55-131-16 4, 21

68RM55-131-17 6

68RM55-131-18 16, 18

68RM55-131-19 9

68RM55-131-20 21

68RM55-131-21 18

68RM55-131-22 24

68RM55-135 78, 79, 80

68RM55-135-1 78, 79, 80

68RM55-136-12 27

68RM55-137 51

68RM55-138-2 51

68RM55-181 58, 62, 67

68RM55-183P 46, 47

68RM55-184P 47

68RM55-209 2

68RM55-209-12 4, 6, 9, 12, 14, 16, 18, 21, 24

68RM55-209-13 12

68RM55-210 2

68RM55-210-13 4, 6, 9, 14, 16, 18, 21, 24

68RM55-216P 46, 47

68RM55-231 60, 64

68RM55-233 54, 58, 62, 67

7

73-50006-00 49, 56, 58, 62, 67

8

81-01991-00 92

81-02653-01 69

81-02654-00 69

81-62018-00 73

81-62025-00 60

81-62051-00 60, 64, 71

81-62055-00 60, 64, 71

81-62065-00 56

81-62066-00 54

81-62067-00 56

81-62068-00 54

81-62069-00 56

81-62081-00 64

81-62087-00 69

81-62121-00 81

81-62261-00 82

86-62174-00 47

9

91-01166-00 21

91-01166-01 21

91-01166-02 18

91-01166-03 18

91-01166-04 24

91-01166-05 21

91-01166-06 21

91-01166-07 21

A

AC101-203 51, 56, 60, 64, 69

AC101-620 46, 47

AC101-900 60, 64, 71

AC201-208 3

AC201-209 39



PARTS INDEX

AC201-217 13, 79
 AC201-225 27
 AC201-244 3, 26, 35, 39, 76, 77, 79, 80, 82
 AC201-600 26, 31, 35, 39, 45
 AC201-901 27, 35, 38, 45
 AC201-931 27, 35, 38, 45
 AC202-209 3, 26, 35
 AC202-210 3, 11, 13, 15, 20, 23, 25
 AC202-215 3, 5, 8, 11, 13, 15, 17, 19, 22, 25
 AC202-418 3, 5, 7, 10, 13, 15, 17, 19, 22, 25
 AC301-204 7, 16, 18, 24
 AC301-236-4 73
 AC301-244 73
 AC501-120 77
 AC501-146 76
 AC501-150 79
 AC501-152 78, 81
 AC701-201 3
 AC701-221 3
 AC701-237 7, 13, 16, 18, 24

AC701-400 69, 73
 AC801-414 46
 AC801-604 38
 AC801-606 49
 AC801-607 3
 AC901-580 51, 56, 60, 64, 69
 AT31AB101 84, 90
 AU02AB242 84, 90
 AU11AR241 84, 90

C

CM090-226 95
 CM201-968 95
 CM983-618 27, 29, 33, 35, 39, 42, 45

D

DD19CA061 46, 47, 49, 54, 56, 58, 60, 62, 64, 67, 69

H

HY76TB130 94

Every driver deserves the best possible vehicle climate with MCC products

MCC provides exceptional performance in mobile climate comfort.



www.mcc-hvac.com

Member of MCC Group • Certified ISO 9001 and ISO 14001.
Specifications subject to change without notice. MCC is a registered trademark.