



SERVICE PARTS LIST for SPLIT SYSTEMS

Generation 4 & 5

NOTE: For GEN 1, 2 & 3 Equipment,
Use Parts List T-346PL

T-299PL

REV. 10/2016

TABLE OF CONTENTS

INTRODUCTION	xv
ORDERING INSTRUCTIONS	xv
GENERAL NOTES	xv
SECTION 1 - EVAPORATORS	1
SECTION 1.1 EM-1 EVAPORATORS	1
1.1.1 EVAPORATOR, EM-1, GEN 4, FREE BLOW	1
1.1.2 EVAPORATOR, EM-1, GEN 4 CHASSIS KIT WITH HEAT	3
1.1.3 PLENUM & GRILL BOX FOR EVAPORATORS EM-1 & 2, GEN 4	4
1.1.4 EM-1, GEN-V, 3 SPEED CHASSIS KITS 77-62512-XX (COMMON PARTS): OPTION 1 ..	6
.....	
1.1.4 EM-1, GEN-V, 3 SPEED CHASSIS KITS 77-62512-XX (COMMON PARTS) - Cont:	7
1.1.5 EM1 GEN-V, Wire Harness 22-62168-00 & -01: OPTION 1 & OPTION 2	8
1.1.5 EM1 GEN-V, Wire Harness 22-62099-00 & -01: OPTION 3 & OPTION 4	8
1.1.5 EM1 GEN-V, Wire Harness 22-62286-00: OPTION 5	9
1.1.5 EM1 GEN-V, Wire Harness 22-62261-00: OPTION 6	9
1.1.5 EM1 GEN-V, Wire Harnesses 22-62247-00 & 22-62204-00: OPTION 7	10
1.1.5 EM1 GEN-V, Wire Harness 22-62194-00: OPTION 8	10
1.1.6 COVER ASSEMBLY, EM-1, GEN-V, 3 SPEED, REAR MOUNT - OPTION 1	11
1.1.6 COVER ASSEMBLY, EM-1, GEN-V, 3 SPEED, SIDE MOUNT - OPTION 2	12
1.1.7 MISCELLANEOUS INSTALLATION COMPONENTS, EM-1, GEN-V, SIDE MOUNT ..	
.....	13
1.1.8 EM-1, GEN-VI, 3 SPEED CHASSIS KITS Y73-EM101-00 thru -02 (COMMON PARTS):	
OPTION 1	16
1.1.9 EM-1, GEN-VI, COVER ASSEMBLY, REAR MOUNT : OPTION 1	
(Used on MODELS Y19-EM101-21,-22,-31,-32,-41,-42,-44,-45,-47,-81,-83 & -96)	18
1.1.9 EM-1, GEN-VI, COVER ASSEMBLY, SIDE MOUNT: OPTION 2	
(Used on MODELS Y19-EM101-23,-61,-62,-64 & -91)	19
1.1.10 EM1 GEN-VI, Wire Harness 22-62303-00: OPTION 1	20
1.1.10 EM1 GEN-VI, Wire Harness 22-62303-01: OPTION 2	20
1.1.10 EM1 GEN-VI, Wire Harness 22-62303-02: OPTION 3	21
1.1.11 EM-1, CLASSIC LINE, 12 VDC, 3 SPEED CHASSIS KITS Y73-EM103-00 & 01 , OPTION 1 &	
2	23
1.1.12 EM-1, CLASSIC LINE, COVER ASSEMBLY, REAR MOUNT : OPTION 1 & 2	25
1.1.13 EM1 Classic Line, 12 VDC Wire Harness Y25-00099-01, OPTION 1	26
SECTION 1.2 EM-2 EVAPORATORS	27
1.2.1 EVAPORATOR, EM-2, GEN 4, FREE BLOW	27
1.2.2 EVAPORATOR, EM-2 CHASSIS KIT WITH HEAT, GEN 4	28
1.2.3 EVAPORATOR, EM-2, GEN V (Common Parts) OPTION 1	31
1.2.4 EM2 GEN-V, Wire Harness 22-62168-00 : OPTION 1	33
1.2.4 EM2 GEN-V, Wire Harness 22-62099-00 : OPTION 2	33
1.2.4 EM2 GEN-V, Wire Harness 22-62286-00: OPTION 3	34

TABLE OF CONTENTS

1.2.4	EM2 GEN-V, Wire Harness 22-62261-00: OPTION 4	34
1.2.4	EM2 GEN-V, Wire Harnesses 22-62247-00 & 22-62204-00: OPTION 5	35
1.2.5	COVER ASSEMBLY, EM-2, GEN-V, 3 SPEED, REAR MOUNT : OPTION 1	36
1.2.5	COVER ASSEMBLY, EM-2, GEN-V, 3 SPEED, SIDE MOUNT : OPTION 2	37
1.2.6	INSTALLATION COMPONENTS, EM-2, GEN-V, SIDE MOUNT	38
1.2.7	EM-2, GEN-VI, 3 SPEED CHASSIS KITS Y73-EM201-00 thru -02 (COMMON PARTS): OPTION 1	41
1.2.8	EM-2, GEN-VI, COVER ASSEMBLY, REAR MOUNT : OPTION 1 (Used on MODELS Y19-EM101-21,-22,-31,-32,-41,-42,-44,-45,-47,-80,-81,-82,-83,-85,-95 & -96)	43
1.2.9	EM-2, GEN-VI, COVER ASSEMBLY, SIDE MOUNT: OPTION 2 (Used on MODELS Y19-EM201-23,-51,-52,-61,-62, & -91)	44
1.2.10	EM2 GEN-VI, Wire Harness 22-62303-00: OPTION 1	45
1.2.10	EM2 GEN-VI, Wire Harness 22-62303-01: OPTION 2	45
1.2.10	EM2 GEN-VI, Wire Harness 22-62303-02: OPTION 3	46
1.2.11	EM-2, CLASSIC LINE, 12VDC, 3 SPEED CHASSIS KITS Y73-EM203-00 & -01, OPTION 1 & 2	48
1.2.12	EM-2, CLASSIC LINE, COVER ASSEMBLY, REAR MOUNT : OPTION 1 & 2	50
1.2.13	EM2 CLASSIC LINE, WIRE HARNESS Y25-00102-01, OPTION 1	51
SECTION 1.3 EM-3 EVAPORATORS		52
1.3.1	EVAPORATOR, EM-3, GEN 4, DUCTED, WITH PLENUM OR GRILL BOX	52
1.3.2	EVAPORATOR, EM-3, GEN 4, FREE BLOW	53
1.3.3	EM-3, 3 SPEED CHASSIS KITS (Common Parts) OPTION 1	55
1.3.4	EM3 GEN-V, Wire Harness 22-62168-00 : OPTION 1	57
1.3.4	EM3 GEN-V, Wire Harness 22-62164-00 : OPTION 2	57
1.3.4	EM3 GEN-V, Wire Harness 22-62164-02 : OPTION 3	58
1.3.4	EM2 GEN-V, Wire Harness 22-62261-00: OPTION 4	58
1.3.4	EM3 GEN-V, Wire Harnesses 22-62204-00: OPTION 5	59
1.3.4	EM3 GEN-V, Wire Harness 22-62099-00 : OPTION 6	59
1.3.5	EM-3, GEN-5, COVER ASSEMBLY	60
1.3.6	EM-3, CLASSIC LINE, 3 SPEED CHASSIS KITS Y73-EM303-00 & -01, OPTION 1 & 2	62
1.3.7	EM-3, CLASSIC LINE, COVER ASSEMBLY, REAR MOUNT : OPTION 1 & 2	64
1.3.8	EM3, CLASSIC LINE, Wire Harness Y2500103-01, OPTION 1	65
SECTION 1.4 EM-6 EVAPORATORS		66
1.4.1	EVAPORATOR, EM-6, GEN 4, SIDE MOUNT, FREE BLOW	66
1.4.2	EVAPORATOR, EM-6, GEN 4, FREE BLOW	67
1.4.3	EM-6, CLASSIC LINE, 3 SPEED CHASSIS KITS Y73-EM601-00 & -01, OPTION 1 & 2	69
1.4.4	EM-6, CLASSIC LINE, COVER ASSEMBLY, REAR MOUNT : OPTION 1 & 2	71
1.4.5	EM2 CLASSIC LINE, WIRE HARNESS Y25-00102-01, OPTION 1	72
SECTION 1.5 EM-7 EVAPORATORS		73

TABLE OF CONTENTS

1.5.1	EVAPORATOR, EM-7, GEN V, CHASSIS KIT (Common Parts): OPTION 1	74
1.5.2	EM7 GEN-V, Wire Harness 22-62168-00 & -01: OPTION 1 & OPTION 5	76
1.5.2	EM7 GEN-V, Wire Harness 22-62286-00: OPTION 2	76
1.5.2	EM7 GEN-V, Wire Harnesses 22-62247-00: OPTION 3	77
1.5.2	EM7 GEN-V, Wire Harness 22-62261-00: OPTION 4	78
1.5.2	EM7 GEN-V, Wire Harness 22-62099-00 & -01: OPTION 6	78
1.5.2	EM7 GEN-V, Wire Harness 22-62194-00: OPTION 7	79
1.5.3	COVER ASSEMBLY, EM-7, GEN-V, REAR MOUNT : OPTION 1	80
1.5.3	COVER ASSEMBLY, EM-7, GEN-V, SIDE MOUNT : OPTION 2	81
1.5.4	EM-7, GEN-VI, 3 SPEED CHASSIS KITS Y73-EM701-00 thru -02 (COMMON PARTS): OPTION 1	83
1.5.5	EM-7, GEN-VI, COVER ASSEMBLY, REAR MOUNT : OPTION 1 (Used on MODELS Y19-EM701-21,-22,-31,-32,-41,-42,-44,-45,-47,-80,-81,-82,-83,-85,-95 & -96)	85
1.5.5	EM-7, GEN-VI, COVER ASSEMBLY, SIDE MOUNT: OPTION 2 (Used on MODELS Y19-EM701-23,-24,-51,-52,-61,-62, & -91)	86
1.5.6	EM7 GEN-VI, Wire Harness 22-62303-00: OPTION 1	87
1.5.6	EM7 GEN-VI, Wire Harness 22-62303-01: OPTION 2	87
1.5.6	EM7 GEN-VI, Wire Harness 22-62303-02: OPTION 3	88
SECTION 1.6 EM-9 EVAPORATORS		89
1.6.1	EVAPORATOR, EM-9, GEN IV, SIDE MOUNT, DUCTED (Common Parts): OPTION 1	90
1.6.2	EM9 GEN-IV, Wire Harness 22-62226-00: OPTION 1	91
1.6.2	EM9 GEN-IV, Wire Harness 22-62279-00: OPTION 2	92
1.6.3	EVAPORATOR, EM-9, GEN 4, SIDE MOUNT, DUCTED , COVERS	93
SECTION 1.7 EM-14 EVAPORATORS		94
SECTION 1.7 EM-14 EVAPORATORS		95
1.7.1	EVAPORATOR, EM-14, GEN 4 SERIES, FREE BLOW , REAR & SIDE MOUNT (Common Parts): OPTION 1	95
1.7.2	EM14, Wire Harness 22-62223-00: OPTION 1	96
1.7.2	EM14, Wire Harness 22-62285-00: OPTION 2	97
1.7.3	EVAPORATOR, EM-14, FREE BLOW, REAR & SIDE MOUNT COVER ASSEMBLY, OPTION 1	98
1.7.3	EVAPORATOR, EM-14, FREE BLOW, REAR MOUNT GRILLE, RETURN AIR, OPTION 2	98
1.7.3	EVAPORATOR, EM-14, FREE BLOW, SIDE MOUNT GRILLE, RETURN AIR, OPTION 3	98
SECTION 1.8 EM-17 EVAPORATORS		99
SECTION 1.8 EM-17 EVAPORATORS		100
1.8.1	EVAPORATOR, EM-17, SINGLE LOOP, GEN 4 SERIES : OPTION 1	100
1.8.1	EVAPORATOR, EM-17, DUAL LOOP, GEN 4 SERIES : OPTION 2	101
1.8.1	EVAPORATOR, EM-17, CHASSIS KITS 77-62000-11 & Y53-E1701-00: OPTION 3	102
1.8.1	EVAPORATOR, EM-17, CHASSIS KITS 77-62000-31 & Y53-E1702-00: OPTION 4	104

TABLE OF CONTENTS

1.8.2	EVAPORATOR, EM-17, WIRE HARNESS, OPTION 1	106
1.8.3	EVAPORATOR, EM-17, WIRE HARNESS, OPTION 2	107
SECTION 1.9 EM-23 EVAPORATORS		108
1.9.1	EVAPORATOR KIT, EM-23, HEAT/COOL (77-62725-00)	108
1.9.2	EVAPORATOR KIT, EM-23 - COOL ONLY (77-62204-00)	109
1.9.3	EVAPORATOR KIT, EM-23 - COOL ONLY 13-20323	110
1.9.4	EVAPORATOR KIT, EM-23 - HEAT/COOL 13-20301	111
SECTION 1.10 IW-1 IN-WALL EVAPORATORS		112
1.10.1	EVAPORATOR, IW-1, (77-62081-11)	112
1.10.2	EVAPORATOR, IW-1, COMMON PARTS USED ON 77-62160-XX UNITS	116
1.10.3	EVAPORATOR, IW-1, COMMON PARTS USED ON CHASSIS Y73-IW101-00: Option 1	118
1.10.4	EVAPORATOR HARNESS, IW-1 12VDC (22-62282-00): OPTION 1	119
1.10.4	EVAPORATOR HARNESS, IW-1 24VDC (22-62299-00): OPTION 2	119
1.10.4	EVAPORATOR HARNESS, IW-1 12VDC (22-62274-00): OPTION 3	120
1.10.4	EVAPORATOR HARNESS, IW-1, Variable Speed 12VDC (22-62239-00): OPTION 4	120
1.10.4	EVAPORATOR HARNESS, IW-1, EnviorMATE 12VDC (Y25-00059-00): OPTION 5	121
1.10.4	EVAPORATOR HARNESS, IW-1, 12VDC (Y25-00106-01): OPTION 6	122
1.10.5	EVAPORATOR, IW-1, BRACKETS (77-62160-00,-03,-04,-05,-07,-15,16,-17,-18,-28,-29,-32,-33,-81,&-83): OPTION 1	123
1.10.5	EVAPORATOR, IW-1, BRACKETS (77-62160-01 & -19): OPTION 2	123
1.10.5	EVAPORATOR, IW-1, BRACKETS (77-62160-06): OPTION 3	123
1.10.5	EVAPORATOR, IW-1, BRACKETS (77-62160-10, -11, -22, -23 & -26): OPTION 4 ..	124
1.10.5	EVAPORATOR, IW-1, BRACKETS (77-62160-12, -13, -20 & -21): OPTION 5	124
1.10.5	EVAPORATOR, IW-1, BRACKETS (77-62160-14): OPTION 6	125
1.10.5	EVAPORATOR, IW-1, BRACKETS (77-62160-30 & -31 and Y19-IW101-00): OPTION 7	125
1.11	IW-2 IN-WALL EVAPORATORS	133
1.11.1	EVAPORATOR, IW-2 - 77-62134-XX (All), COMMON PARTS: OPTION 1	134
1.11.2	EVAPORATOR, IW-2 MOUNT BRACKETS (Used on 77-62134-02): OPTION 1 ..	136
1.11.2	EVAPORATOR, IW-2 MOUNT BRACKETS (Used on 77-62134-03 & -04): OPTION 2	136
1.11.3	EVAPORATOR HARNESS, IW-2 12VDC (22-62282-00): OPTION 1	137
1.11.4	COVER ASSEMBLY, EVAPORATOR, IW-2 (77-62134-03, -04, -05 & -06): OPTION 3	140
1.11.4	COVER ASSEMBLY, EVAPORATOR, IW-2 (77-62134-07 & -08): OPTION 4	141
1.11.4	COVER ASSEMBLY, EVAPORATOR, IW-2 (77-62134-12) COMPONENTS SUPPLIED: OPTION 5	141
1.12	IW-4 IN-WALL EVAPORATORS	142
1.12.1	EVAPORATOR, IW-4 (77-62230-00 & -01) : OPTION 1	143
1.12.2	EVAPORATOR HARNESS, IW-4 12VDC (22-62294-00 & Y25-00104-00) : OPTION 1	145



TABLE OF CONTENTS

- 1.12.2 EVAPORATOR HARNESS, IW-4 12VDC (Y25-00006-00 & Y25-00105-00): OPTION 2 . . . 145
- 1.12.3 COVER ASSEMBLY, IW-4 USED ON (77-62230-00): OPTION 1 146
- 1.12.3 COVER ASSEMBLY, IW-4 USED ON (77-62230-01): OPTION 2 147
- 1.13 IW-5 IN-WALL EVAPORATORS 148
- 1.13.1 EVAPORATOR, IW-5, Y19-IW501-00: OPTION 1 149
- 1.13.2 EVAPORATOR HARNESS , IW-5: OPTION 1 150
- 1.13.3 EVAPORATOR MOUNTING BRACKETS, IW-5: OPTION 1 151
- 1.14 IW-7 IN-WALL EVAPORATORS 152
- 1.14.1 EVAPORATOR, IW-7 (77-62131-00) 152
- 1.15 IW-10 IN-WALL EVAPORATORS 154
- 1.15.1 EVAPORATOR, Chassis Kit (77-62200-00), IW-10, (INACTIVE): OPTION 1 155
- 1.15.1 EVAPORATOR, Chassis Kit (77-62200-02 & -03), IW-10 : COMMOM PARTS: OPTION 2 157
- 1.15.2 EVAPORATOR, Mounting Brackets, IW-10 : OPTION 1 159
- 1.15.2 EVAPORATOR, Mounting Brackets, IW-10 : OPTION 2 159
- 1.15.3 EVAPORATOR HARNESS, IW-10 12VDC (22-62297-00): OPTION 1 160
- 1.15.3 EVAPORATOR HARNESS, IW-10 12VDC (Y25-00000-00): OPTION 2 160
- 1.15.4 COVER ASSEMBLY, EVAPORATOR, IW-10: OPTION 1 161
- 1.15.4 COVER ASSEMBLY, EVAPORATOR, IW-10: OPTION 2 162
- 1.15.4 COVER ASSEMBLY, EVAPORATOR, IW-10: OPTION 3 162
- 1.15.4 COVER ASSEMBLY, EVAPORATOR, IW-10: OPTION 4 163
- 1.15.4 COVER ASSEMBLY, EVAPORATOR, IW-10: OPTION 5 163
- 1.15.4 COVER ASSEMBLY, EVAPORATOR, IW-10: OPTION 6 164
- 1.16 IW-14 IN-WALL EVAPORATORS 165
- 1.16.1 EVAPORATOR, IW-14, (77-62080-00) 165
- 1.16.2 EVAPORATOR, IW-14, WITH LP SWITCH (77-62080-01) 167
- SECTION 2 - CONDENSERS 170**
- SECTION 2.1 CM-2 CONDENSERS 170
- 2.1.1 CONDENSER, CM-2, GEN 4 170
- 2.1.2 CONDENSER, CM-2, MCHX, VENTURI ASSEMBLY: OPTION 1 172
- 2.1.2 CONDENSER, CM-2, MCHX, VENTURI ASSEMBLY: OPTION 2 173
- 2.1.2 CONDENSER, CM-2, MCHX, VENTURI ASSEMBLY: OPTION 3 174
- 2.1.2 CONDENSER, CM-2, MCHX, VENTURI ASSEMBLY (24V): OPTION 4 175
- 2.1.2 CONDENSER, CM-2, MCHX, VENTURI ASSEMBLY (12V): OPTION 5 176
- 2.1.3 CM-2, CONDENSER GROUND/POWER HARNESS 176
- 2.1.4 CONDENSER COIL REPLACEMENT KIT, CM-2, MICRO-CHANNEL (MCHX) : OPTION 1 177
- 2.1.5 CONDENSER, CM-2 SLIM LINE MCHX, (12VDC) COMMON PARTS: OPTION 1 179
- 2.1.5 CONDENSER, CM-2 SLIM LINE MCHX, (24VDC) COMMON PARTS: OPTION 2 180

TABLE OF CONTENTS

2.1.6	CM-2, CONDENSER HARNESS 22-62273-00: OPTION 1	181
2.1.6	CM-2, CONDENSER HARNESS 22-62260-00: OPTION 2	181
2.1.6	CM-2, CONDENSER HARNESS 22-62206-00: OPTION 3	182
2.1.7	CONDENSER COIL REPLACEMENT KIT, CM-2 , SLIM LINE MICRO-CHANNEL (MCHX) : ALL 77-00273-XX	183
2.1.8	CONDENSER, CM-2, MCHX, GRILL ASSEMBLY: OPTION 1	184
2.1.8	CONDENSER, CM-2, MCHX, GRILL ASSEMBLY: OPTION 2	184
2.1.8	CONDENSER, CM-2, MCHX, GRILL ASSEMBLY: OPTION 3	185
2.1.8	CONDENSER, CM-2, MCHX, GRILL ASSEMBLY: OPTION 4	185
2.1.8	CONDENSER, CM-2 , MCHX, GRILL ASSEMBLY; OPTION 5	185
2.1.9	CONDENSER, CM-2 HEAVY DUTY MCHX, CHASSIS KIT (12V) COMMON PARTS	186
2.1.9	CONDENSER, CM-2 HEAVY DUTY MCHX, SERVICE REPLACEMENT CHASSIS (12V)	187
2.1.10	CM-2, CONDENSER HARNESS , HEAVY DUTY MCHX, 12 VDC (Y24-00080-00) .	188
SECTION 2.2 CM-3 CONDENSERS		189
2.2.1	CONDENSER, CM-3, GEN 4	189
2.2.2	CONDENSER, CM-3, MCHX, VENTURI ASSEMBLY: OPTION 1	192
2.2.2	CONDENSER, CM-3, MCHX, VENTURI ASSEMBLY: OPTION 2	193
2.2.2	CONDENSER, CM-3, MCHX, VENTURI ASSEMBLY: OPTION 3	194
2.2.2	CONDENSER, CM-3, MCHX, VENTURI ASSEMBLY: OPTION 4	195
2.2.2	CONDENSER, CM-3, MCHX, VENTURI ASSEMBLY: OPTION 5	196
2.2.3	CM-3, CONDENSER GROUND/POWER HARNESS	196
2.2.4	CONDENSER, CM-3, MCHX, REPLACEMENT CHASSIS (77-01277-50)	197
2.2.5	CONDENSER, CM-3 SLIMLINE MCHX, VENTURI ASSEMBLY (12V) COMMON PARTS: OPTION 1	199
2.2.5	CONDENSER, CM-3 SLIMLINE MCHX, VENTURI ASSEMBLY (24V) COMMON PARTS: OPTION 2	200
2.2.6	CM-3, CONDENSER HARNESS 22-62205-00: OPTION 1	201
2.2.6	CM-3, CONDENSER HARNESS 22-62258-00: OPTION 2	201
2.2.6	CM-3, CONDENSER HARNESS 22-62272-00: OPTION 3	202
2.2.7	CONDENSER COIL REPLACEMENT KIT, CM-3 SLIM LINE, MICRO-CHANNEL (MCHX) : OPTION 1	203
2.2.8	CONDENSER, CM-3, MCHX, GRILL ASSEMBLY: OPTION 1	204
2.2.8	CONDENSER, CM-3, MCHX, GRILL ASSEMBLY (CHASSIS MOUNTED): OPTION 2	204
2.2.8	CONDENSER, CM-3, MCHX, GRILL ASSEMBLY (CHASSIS MOUNTED): OPTION 3	205
2.2.8	CONDENSER, CM-3, MCHX, GRILL ASSEMBLY: OPTION 4	205
2.2.8	CONDENSER, CM-3 , MCHX, GRILL ASSEMBLY: OPTION 5	205
2.2.9	CONDENSER, CM-3 HEAVY DUTY MCHX, CHASSIS KIT (12V) COMMON PARTS	206

TABLE OF CONTENTS

2.2.9	CONDENSER, CM-3 HEAVY DUTY MCHX, SERVICE REPLACEMENT CHASSIS (12V)	207
2.2.10	CM-3, CONDENSER HARNESS , HEAVY DUTY MCHX, 12 VDC (Y24-00079-00)	208
2.2.11	CONDENSER, CM-3, MCHX, GRILL ASSEMBLY	209
2.2.12	CONDENSER, STACKED, CM-2/CM-3	210
SECTION 2.3 CM-5 CONDENSER		211
2.3.1	CONDENSER, CM-5	211
2.3.2	CONDENSER, CM-5, FRONT and TOP VIEWS, 77-62001-00 , -01 & -02	212
2.3.3	CONDENSER, CM-5, BACK, SIDE and BOTTOM VIEWS, 77-62001-00 , -01 & -02	213
2.3.4	CONDENSER, CM-5, HARNESS ASSEMBLY - 22-62012-00	214
2.3.5	CONDENSER, CM-5, SKIRT MOUNTED GRILL	214
2.3.6	LIQUID LINE ASSEMBLY, CM-5, CM-14, & C4RE, (REMOTE)	215
SECTION 2.4 CM-14 CONDENSER SERIES		216
2.4.1	CONDENSER, CM-14 STANDARD MODEL (77-62083-02, -04, -08, -09, -10 & -11)	216
2.4.2	CONDENSER, CM-14, GRILL, STANDARD MODEL, (77-62083-02 & -04)	218
2.4.2	CONDENSER, CM-14, GRILL, CHASSIS MOUNTED - (77-62083-08 & -09)	218
2.4.3	CM-14, CONDENSER GROUND/POWER HARNESS (FOR 77-62083-02, -04, -08, -09)	218
2.4.4	CONDENSER, CM-14 C4RE MODEL (77-62083-00)	219
2.4.4	CONDENSER, CM-14 C4RE, CHECK VALVE & TUBE ASSEMBLY	220
2.4.4	CONDENSER, CM-14 C4RE, DISCHARGE VALVE ASSEMBLY (BB)	221
2.4.4	CONDENSER, CM-14 C4RE, SUCTION VALVE ASSEMBLY (BB)	221
2.4.4	CONDENSER, CM-14 C4RE LOW AMBIENT THERMOSTAT SWITCH	221
SECTION 2.5 CM-15 CONDENSER SERIES		222
2.5.1	CONDENSER, CM-15 (77-62175-00)	222
SECTION 2.6 CM-16 CONDENSER SERIES		223
2.6.1	CONDENSER, CM-16 (77-62201-00)	223
SECTION 2.7 K410 CONDENSER SERIES		224
2.7.1	CONDENSER, K410, 3 MOTOR, 12V (SPAIN) 02-94-10-101-00	224
2.7.1	CONDENSER, K410, 3 MOTOR, 12V (SPAIN) - Continued:	226
2.7.2	CONDENSER, K410, 3 MOTOR, 12V (NORTH AMERICAN VERSION)	227
2.7.3	CONDENSER, K410 WINTERGUARD KIT (NORTH AMERICAN VERSION) KIT # 76-62362-00	228
2.7.4	CONDENSER, K410 BRUSH GUARD KIT (NORTH AMERICAN VERSION) KIT #	228
SECTION 2.8 CONDENSER, CR430 Condensers		229
INTRODUCTION		229
CONFIGURATION IDENTIFICATION		229
OPTION DESCRIPTION		229
	Skins Kit	229
	Refrigeration Kit	229

TABLE OF CONTENTS

Electrical Kit	229
Frame Kit	229
2.8.1 CONDENSER SKINS (COVERS), CR430- OPTIONS 1 & 2 & 3	231
2.8.2 CHASSIS Kit (Coils), CR430- OPTIONS 1 & 2	232
2.8.3 REFRIGERATION PIPING KIT, CR430, DUAL LOOP- OPTION 1	233
2.8.3 REFRIGERATION PIPING KIT, CR430 SINGLE LOOP- OPTION 2	235
2.8.3 REFRIGERATION PIPING KIT, CR430 DUAL LOOP (Less Filter Driers) - OPTION 3	237
2.8.4 FAN & MOTOR KITS, CR430 OPTION 1, 2 & 3	239
2.8.5 ELECTRICAL KIT, CR430 SINGLE LOOP 3 Fan- Option 1	240
2.8.5 ELECTRICAL KIT, CR430 DUAL LOOP 3 Fan- Option 2	241
2.8.5 ELECTRICAL KIT, CR430 DUAL LOOP 2 Fan- Option 3	242
2.8.5 ELECTRICAL KIT, CR430 SINGLE LOOP 3 Fan, 24VDC, Circuit Protection Weatherpac Connectors- Option 4	243
2.8.5 ELECTRICAL KIT, CR430 SINGLE LOOP 2 Fan, 12VDC, Circuit Protection Molex Connectors- Option 5	244
2.8.5 ELECTRICAL KIT, CR430 SINGLE LOOP 3 Fan, 12VDC, Circuit Protection Molex Connectors- Option 6	245
2.8.5 ELECTRICAL KIT, CR430 DUAL LOOP 2 Fan, 24 & 12VDC Circuit Protect, Press. Switches, Molex Connectors- Option 7	246
2.8.5 ELECTRICAL KIT, CR430 DUAL LOOP 3 Fan, 24 & 12VDC Circuit Protect, Press. Switches, Molex Connectors- Option 8	247
SECTION 2.9 CONDENSER, 68KR4-101 SERIES	248
INTRODUCTION	248
CONFIGURATION IDENTIFICATION	248
OPTION DESCRIPTION	248
Skins Kit	248
Refrigeration Kit	248
Electrical Kit	248
Frame Kit	248
2.9.1 CONDENSER, 68KR4-101 & 68KR4-102 SERIES	250
2.9.2 CONDENSER, 68KR4-101 & 68KR4-102 SERIES, SKINS KIT - OPTION 1 & 2	251
2.9.3 CONDENSER, 68KR4-101 SERIES, REFRIGERATION KIT, DUAL LOOP - OPTION 1	252
2.9.3 CONDENSER, 68KR4-101 SERIES, REFRIGERANT KIT, SINGLE LOOP - OPTION 2	254
2.9.3 CONDENSER, 68KR4-101 SERIES, REFRIGERATION KIT, DUAL LOOP - OPTION 3	256
2.9.3 CONDENSER, 68KR4-102 SERIES, REFRIGERATION KIT, DUAL LOOP - OPTION 4	258
2.9.3 CONDENSER, 68KR4-102 SERIES, REFRIGERANT KIT, SINGLE LOOP - OPTION 5	260
2.9.3 CONDENSER, 68KR4-102 SERIES, REFRIGERATION KIT, DUAL LOOP - OPTION 6	262

TABLE OF CONTENTS

2.9.4	CONDENSER, 68KR4-101 SERIES, ELECTRICAL KIT - OPTION 1, 2, 3 & 4	264
2.9.4	CONDENSER, 68KR4-102 SERIES, ELECTRICAL KIT - OPTIONS 5 & 6	266
2.9.4	CONDENSER, 68KR4-102 SERIES HARNESS DETAIL, OPTIONS 5 & 6	267
2.9.5	68KR4-101 SERIES, FRAME KIT, OPTION 1 (ALL)	268
2.9.6	KR4 FEED-THROUGH PLATE ASSEMBLY (81-62151-00)	269
2.9.7	KR4 BULKHEAD FEED-THROUGH ASSEMBLY (79-62105-00 REFERENCE ONLY)	269
	SECTION 2.10 CONDENSER, 68KP – /3-101 SERIES	270
	INTRODUCTION	270
	CONFIGURATION IDENTIFICATION	270
	OPTION DESCRIPTION	270
	Cover Kit	270
	Electrical Kit	270
	SECTION 2.10 CONDENSER, 68KR2 & 68KR3-101 SERIES	271
2.10.1	CONDENSER, 68KR2 & 68KR3-101 SERIES - FRAME KIT : ALL OPTIONS 1 & 2	271
2.10.2	CONDENSER, 68KR3-101 SERIES - COVER KIT - OPTIONS 1 thru 4	272
2.10.3	CONDENSER, 68KR3-101 SERIES - ELECTRICAL KITS - (77-62172-01, -03, -05, -07)	273
2.10.4	CONDENSER, 68KR2-101 SERIES - COVER KIT - 77-62171-00, -02 & -05	274
2.10.5	CONDENSER, 68KR2-101 SERIES - ELECTRICAL KIT - 77-62172-00, -02, -04 & -06	275
2.10.6	Figure 3-1 WINTERGUARD KITS - KR2/3 - (76-62269-00 & -01)	276
2.10.7	Figure 3-2 BRUSH GUARD, CONDENSER, KR2/3 AND CM-7/11	277
2.10.8	FEED-THROUGH PLATE ASSEMBLIES - ROOFTOPS - (81-62138)	278
2.10.9	FEED-THROUGH PLATE ASSEMBLIES - ROOFTOPS - (81-62145)	279
2.10.10	FEED-THROUGH PLATE ASSEMBLIES - ROOFTOPS - (81-62156)	279
	SECTION 3 - FITTINGS & HOSE	280
	SECTION 3.1 FITTINGS	280
3.1.1	FITTING, A-6 COMPRESSOR, (GM STYLE)	281
3.1.2	FITTINGS - TM-31	282
3.1.3	FITTINGS - MISCELLANEOUS	282
3.1.4	FITTINGS, TEE	283
3.1.5	FITTING, SWIVEL UNIONS	283
3.1.6	FITTING, FLARE TO O-RING	283
3.1.7	FITTING, TUBE-O, R134a	283
3.1.8	FITTING, ADAPTER AND CAP	284
3.1.9	FITTING, SUCTION (SPRINTER)	284
3.1.10	FITTINGS - BRONZE & BRASS - MISC.:	284
3.1.11	FITTINGS -BLOCK ASSEMBLY	284
3.1.12	“O”-RINGS, HNBR	285
	SECTION 3.2 COMPRESSOR FITTING KITS	286

TABLE OF CONTENTS

3.2.1	INSTALLATION INSTRUCTIONS FOR COMPRESSORS WITH GM STYLE PORTS ON REAR	286
3.2.2	INSTALLATION INSTRUCTIONS FOR COMPRESSORS WITH GM STLE PORTS (FlexCLIK MANIFOLD FITTINGS)	286
3.2.3	COMPRESSOR TO REFRIGERANT HOSE, INTERFACE FITTINGS	287
SECTION 4	- COMPRESSORS	288
4.1	MOUNTING IDENTIFICATION	288
4.2	CLUTCH IDENTIFICATION	288
4.3	MANIFOLD IDENTIFICATION	289
4.4	SANDEN, SD-508, (R12)	290
4.5	SANDEN, SD-709, (R12)	290
4.6	SANDEN, SD-709 (R12 & R134a)	291
4.7	SANDEN, SD-510, (R12)	292
4.8	SANDEN, SD-7H15, (R134a)	293
4.9	SANDEN SD-7H15 SHD, PARTS	294
4.10	SELTEC, TM-15, (R12)	294
4.11	SELTEC, TM-15, (R134a)	295
4.12	SELTEC, TM-15, (R134a) - Continued:	296
4.13	SELTEC, TM-16 & TM-16HS, (R134a)	296
4.13	SELTEC, TM-16 & TM-16HS, (R134a) - Continued:	297
4.14	QUE COMPRESSORS (Alternative Compressor for Valeo TM16 Line)	298
4.15	SELTEC, TM-15/16 PARTS (Replaces DK-15 Diesel Kiki Parts)	299
4.16	SELTEC, TM-21HX, (R134a)	300
4.17	QUE COMPRESSORS (Alternative Compressor for Valeo TM21 Line)	300
4.18	SELTEC, TM-26, (R12)	301
4.19	SELTEC, TM-26, (R134a)	301
4.20	SELTEC, TM-26 PARTS	301
4.21	SELTEC, TM-31, (R134a)	302
4.22	QUE COMPRESSORS (Alternative Compressor for Valeo TM31 Line)	302
4.23	SELTEC, TM-31 PARTS	302
4.24	YORK COMPRESSORS & PARTS	303
4.25	ALMA, A-6, (R134a)	303
4.26	ALMA, A-6 PARTS	304
4.27	OIL - COMPRESSOR	304
4.28	SUCTION LINE ACCUMULATOR	305
SECTION 5	- ELECTRICAL	306
5.1	FUSE AND FUSE HOLDERS	306
5.2	RELAY ASSEMBLIES, 70 Amp	307
5.3	RELAY CONNECTOR ASSEMBLIES, (40/50 Amp)	307
5.4	RELAYS - SOLENOIDS	308

TABLE OF CONTENTS

5.5	SWITCHES	308
5.6	CIRCUIT BREAKER	309
5.7	TERMINAL BOARDS	309
5.8	PRESSURE SWITCHES	310
5.9	THERMOSTATS	310
5.10	DIODES-LIGHTS-RESISTORS	310
5.11	GAUGES-SENDERS	310
5.12	HARNESS, ELECTRICAL	311
5.13	CONNECTORS, ELECTRICAL	311
5.14	ALTERNATOR, BATTERYLESS, 24VDC	312
5.15	FAN BLADES AND FAN ASSEMBLIES	313
5.16	MOTORS	313
5.17	BLOWER ASSEMBLIES	314
5.18	DRIVERS CONTROL PANEL (GEN 1 THROUGH GEN 4)	316
5.19	DRIVERS CONTROL PANEL GEN-5 (VARIABLE).....	317
5.20	DRIVERS CONTROL PANEL KITS 77-62135-00, -01, -02, 03, -04 & -05	318
5.21	DRIVERS CONTROL PANEL KITS 77-62135-06 & -07	319
5.22	TEMPCON CONTROL PANELS	320
5.22.1	TEMPCON SENSOR ASSEMBLY (KITS)	320
5.22.2	TEMPCON II CONTROL PANELS	321
5.23	DRIVERS CONTROL PANEL, (TOTAL CONTROL)	322
5.24	DRIVERS CONTROL PANEL, (EnviroMATE)	323
5.25	REPLACEMENT ELECTRICAL CONTROL PANELS, CROSS-REFERENCE MATRIX	324
5.26	ELECTRICAL CONTROL PANELS (TYPICAL)	325
5.27	ELECTRICAL Panel, Y25-00012-00	326
5.28	ELECTRICAL Panel, Y25-00013-00	327
5.29	ELECTRICAL Panel, Y25-00014-00	328
5.30	ELECTRICAL Panel, Y25-00031-00	329
5.31	ELECTRICAL CONTROL PANELS (THOMAS)	330
5.32	ELECTRICAL HARNESS Replacement Parts (THOMAS)	331
5.33	PANEL ASSEMBLIES, TOTAL CONTROL (TYPICAL)	334
5.34	CONTROL PANEL, EM-17 SPLIT, KR-4D, (24 VDC)	335
5.35	CONTROL PANEL, EM-17 & CM-5, (WITH HEAT)	337
5.36	CONTROL PANEL, EM-17 & CM-5 (W/O HEAT)	339
5.37	CONTROL PANEL, EM-17 & KR4, 91-62011-04	341
SECTION 6 - ENGINE KIT PARTS		342
6.1	BUSHINGS - IDLERS - ECCENTRICS - FAN SPACERS	342
6.2	PULLEYS	343
6.3	PULLEYS	344



TABLE OF CONTENTS

6.4	BELTS, POLY-V, 6 GROOVES, 0.840 WIDTH	345
6.5	BELTS, POLY-V, 8 GROOVES, 1.120 WIDTH	346
6.6	BELTS, POLY-V, 10 GROOVES, 1.380 WIDTH	347
6.7	V-BELT, SINGLE “A” GROOVE	348
6.8	V-BELT, SINGLE “B” GROOVE	349
6.9	V-BELT, 2 GROOVE, BANDED	349
6.10	HOSE, MISCELLANEOUS	350
6.11	INSULATION TUBE, (HEAT)	350
SECTION 7 - MISCELLANEOUS		351
7.1	HOSECOVERS AND ACCESSORIES	351
7.2	HOSECOVERS - 2 PIECE DESIGN	352
7.3	HOSECOVERS - 1 PIECE DESIGN, GRAY (ABS Plastic)	352
7.3.1	HOSECOVERS - 1 PIECE DESIGN, OYSTER WHITE (Metal)	353
7.4	HARDWARE KIT, EVAPORATOR MOUNTING TO CHANNELS, (REAR)	354
7.5	HARDWARE KIT, EVAPORATOR COVER MOUNTING, (REAR AND SIDE MOUNT)	354
7.6	DEFLECTORS	355
7.7	LOUVERS	356
7.8	REFRIGERATION COMPONENTS	357
7.9	THERMAL EXPANSION VALVE, BLOCK	358
7.10	SIGHTGLASSES	358
7.11	DRIERS	359
7.12	PLASTIC FITTINGS	360
7.13	INSULATED CLAMPS	361
7.14	STAUFF CLAMPS	361
7.15	HOSE CLAMPS	362
7.16	CONDENSATE VALVE & DRAIN HOSE	362
7.17	MISCELLANEOUS CLAMPS	363
7.18	RETURN AIR FILTERS	363

INTRODUCTION

This parts list identifies service replacement parts for Mobile Climate Control Split System components. The air conditioning/heating system consists of a condenser module, evaporator module, electrical controls and engine compartment mounted compressor. To complete the system, the air conditioning and heating equipment interfaces with electrical cabling, engine cooling piping, duct work and other components.

Information is supplied throughout the manual in sections outlining the major components. These sections include; the Evaporator Section, Condenser Section, Power Packs & Auxiliary Drive Modules Section, Fitting & Hose Section, Compressor Section, Electrical Section, Mount Kit Section and Miscellaneous Section. Each section is divided to provide information on various sizes of equipment and where required, various generations of design. Identification of the various size equipment is identified by model designation while generation of design is identified by serial number.

ORDERING INSTRUCTIONS

All orders and inquiries for parts must include: Unit Serial Number, Part No., description of part as shown on list and quantity required. Parts can be ordered by going to the following website:

www.mcc-hvac.com

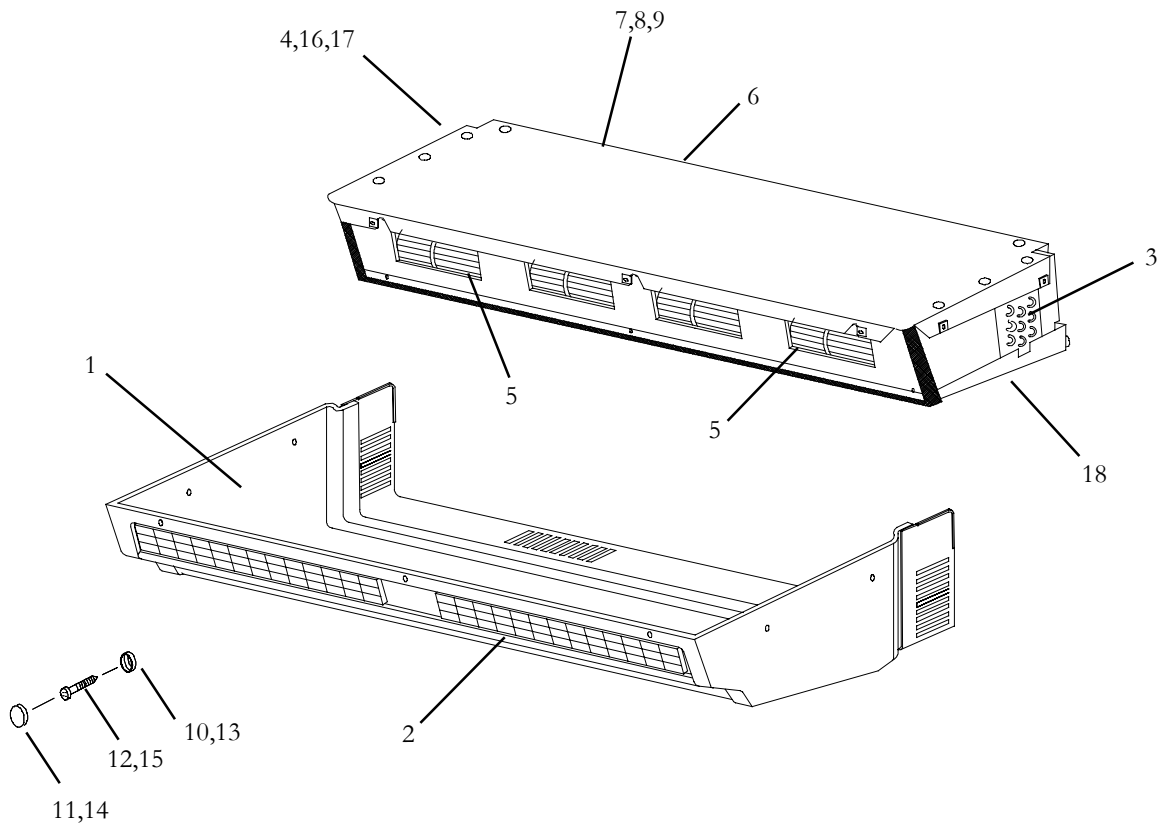
GENERAL NOTES

1. This catalog contains those items most commonly required for replacement purposes. If parts other than those cataloged are required, please provide the model number and serial number of the unit on which the parts are to be used and a complete description including references to items which are cataloged.
2. The replacement parts listed in this catalog are “Factory-Authorized Parts” and, as a result of “standardization,” may not be identical to the original part furnished on the equipment.
3. The following letter designations are used to classify parts throughout this list:
 - A/R = As Required,
 - H/C = Heat/Cool,
 - N/A = Not Available
 - N/S = Not Shown On Illustration
 - NSS = Not Sold Separately,
 - REF = For Reference Only
 - NSI = Non-stock Item

SECTION 1 - EVAPORATORS

SECTION 1.1 EM-1 EVAPORATORS

1.1.1 EVAPORATOR, EM-1, GEN 4, FREE BLOW



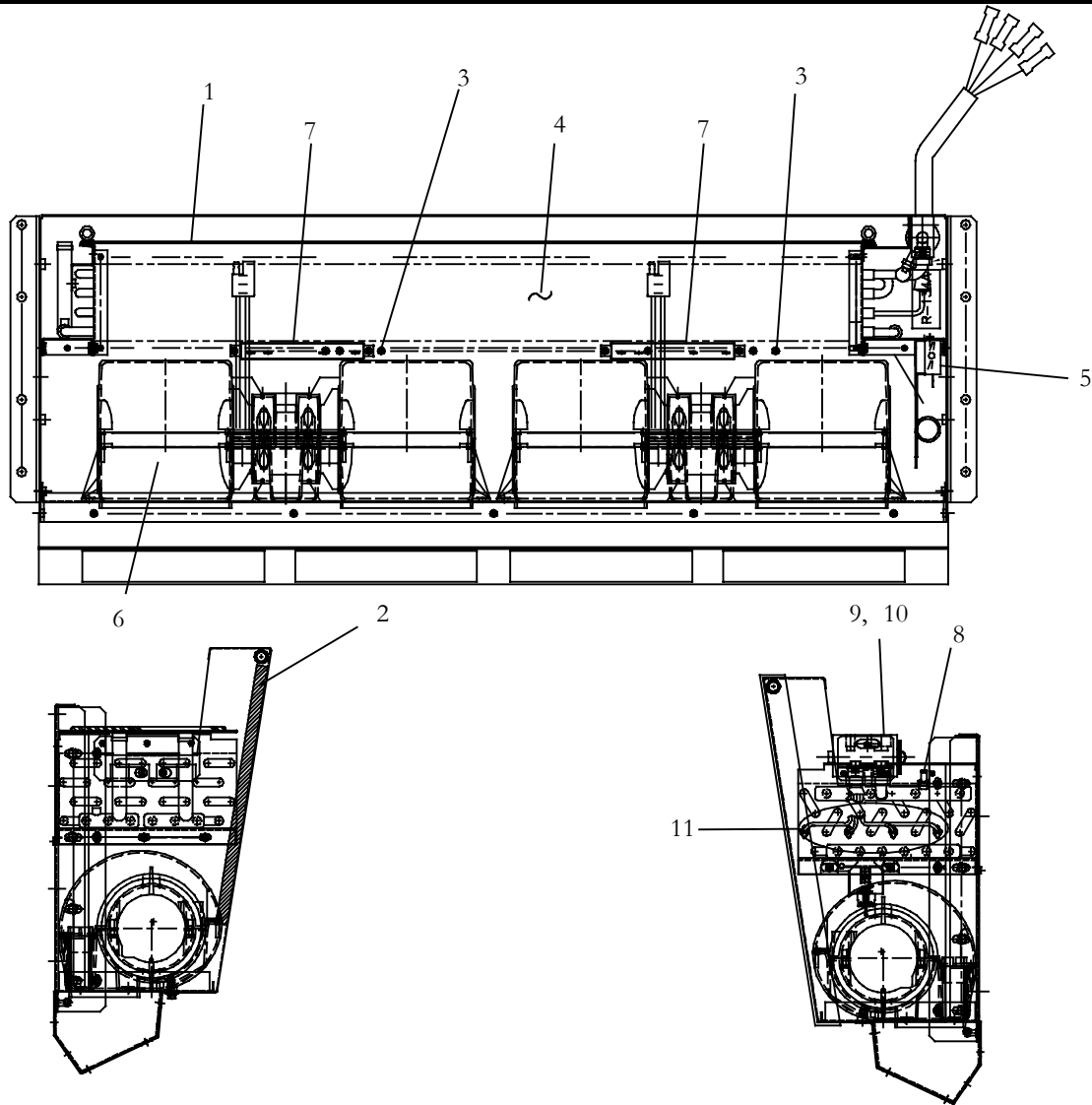
For replacement parts on units with serial #1-032501 to #.

Item	Part Number	Description	Qty
1	79-62071-00	Cover Assembly, White	1
	79-62071-01	Cover Assembly, Gray	1
2	AC401-320	Louver Assembly, (14 3/8 Inch X 3 3/8 Inch)	2
3	08-62059-00	Coil, Assembly, With Low Pressure Switch Connection, With Heat	1
	08-62060-00	Coil, Assembly, With Low Pressure Switch Connection, Cool Only	1
4	14-00397-00	Thermal Expansion Valve	1
5	AC401-232	Blower Assembly, Dual, 12 Volt	2
	AC401-233	Blower Assembly, Dual, 24 Volt	2
6	AC801-405	Filter, Return Air, (35 X 7 1/4 Inch)	1
7	AC201-501	Thermostat, Freeze-Up	1



1.1.1 EVAPORATOR, EM-1, GEN 4, FREE BLOW - Continued:			
Item	Part Number	Description	Qty
8	76-62019-00	Resistor Kit, (1.8 Ohm, 4 Prong)	2
9	22-62125-00	Harness, Evaporator, GSA, 12 VDC	1
	22-62240-00	Harness, Evaporator, W/Low Pressure Switch, 12 VDC	1
	AC022-717	Harness, Evaporator, 24 VDC	1
10	AC801-529 Washer, Snap Cap	8
11	AC801-532 Snap Cap, Gray	8
12	NSI Screw, Pan Head, Phillips, #10 X 5/8 Inch, AB, Black	8
13	AC801-529 Washer, Snap Cap	8
14	AC801-531 Snap Cap, White	8
15	NSI Screw, Pan Head, Phillips, #10 X 5/8 Inch, AB, Black	8
16	AC201-412	Switch, Low Pressure	1
17	AC801-202	O-Ring, 1/2 Inch, TXV	2
18	79-02383-00	Drain Pan Assembly	1

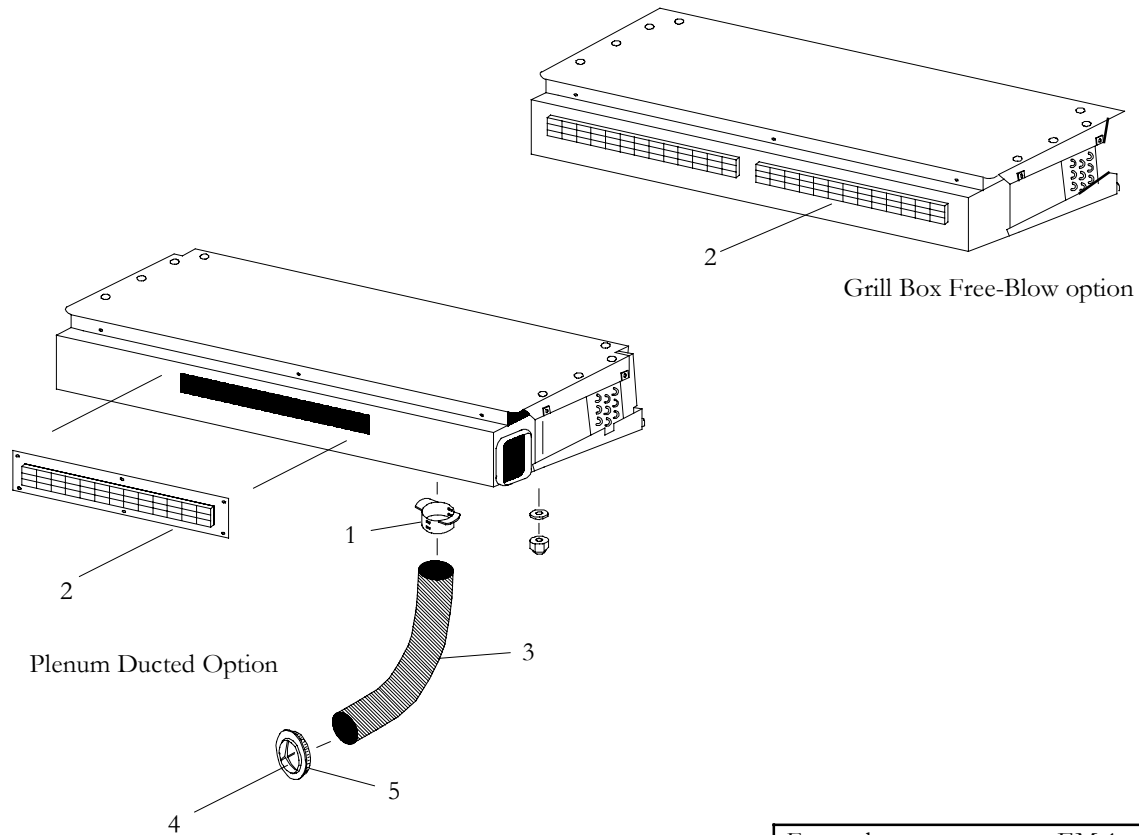
1.1.2 EVAPORATOR, EM-1, GEN 4 CHASSIS KIT WITH HEAT



Item	Part Number	Description	Qty
1	AC801-405	Filter, Return Air (.090 Thick x 8.00 x 35.38 Inches)	1
2	AC022-313	Baffel, Drain Pan, Foam	1
3	N/A	Angle, Bracket, Harness Stand-Off	2
4	08-62059-00	Coil Assembly, Evaporator/Heater, With Low Pressure Switch Connection	1
5	12-00685-00	Thermostat, Freeze-Up, Non-Adjustable	1
6	54-00588-00	Fan & Motor Assembly, Evaporator, 12 VDC	2
7	76-62019-00	Resistor Kit, (1.8 Ohm, 4 Prong)	2
8	AC201-412	Switch, Pressure, Low, Non-Adjustable	1
9	14-00397-00	Valve, Thermal Expansion, Block Type, R134a	1
10	AC801-202	O-Ring, 1/2 Inch, HNBR	2
11	42-00032-00	Tape, Insulation, Presssite, 2.00 x 30.00 Feet Long	1



1.1.3 PLENUM & GRILL BOX FOR EVAPORATORS EM-1 & 2, GEN 4



For replacement parts on EM-1 with serial #1-025002 to #1-.

For replacement parts on EM-2 with serial #2-012001 to #2-.

Item	Part Number	Description	Qty
1	AC401-307	Adapter, Hose, 2-1/2 Inch	2
2	AC401-320	Louver, 14-3/8 Inch X 3-3/8 Inch	2
3	AC301-205	Duct, Hose, 2-1/2 inch X foot	3
4	58-01386-00	Louver, Ball, 2-1/2 inch with Hose Back	2
5	AC401-306	Ring, Mounting, Louver Ball	2

**OPTION TABLE - EM1 - GEN V,
12 VDC - 3 Speed**

MODEL EM1 Gen V 77-62512	Cover Kit (see Section 1.1.6)	Chassis Kit (see Section 1.1.4)	Wire Harness (see Section 1.1.5)
-00	-	1	1
-01	-	1	2
-05	-	1	1 & 5
-06	-	1	1 & 7
-07	-	1	1 & 7
-21	1	1	1 & 5
-22	1	1	1 & 5
-23	2	1	1 & 5
-31	1	1	1 & 5
-32	1	1	1 & 5
-41	1	1	1 & 5
-42	1	1	1 & 5
-44	1	1	1 & 5
-45	1	1	1 & 5
-46	1	1	2
-47	1	1	1 & 5
-48	-	1	1 & 5
-51	2	1	1 & 5
-52	2	1	1 & 5
-61	2	1	1 & 5
-62	2	1	1 & 5
-64	2	1	2
-80	1	1	1 & 6
-81	1	1	1 & 6
-82	1	1	1 & 6
-83	1	1	1 & 6
-85	1	1	1 & 5
-90	2	1	1 & 7
-91	2	1	1 & 7
-95	1	1	1 & 5
-96	1	1	1 & 5

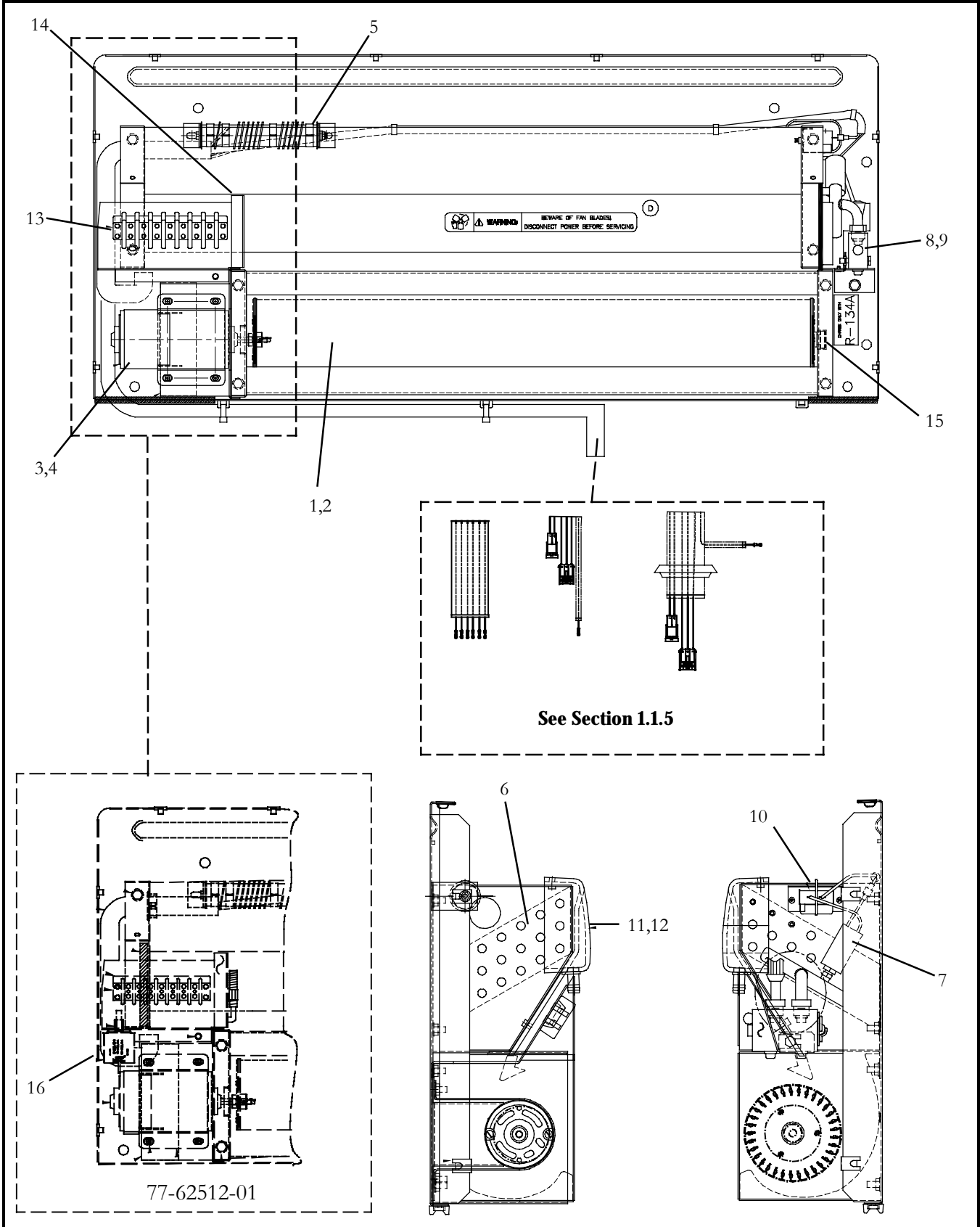
**OPTION TABLE - EM1 - GEN V
12 VDC - Variable Speed**

MODEL EM1 Gen V 77-62112	Cover Kit (see Section 1.1.6)	Chassis Kit (see Section 1.1.4)	Wire Harness (see Section 1.1.5)
-00	-	1	3
-01	-	1	4
-21	1	1	3
-22	1	1	3
-31	1	1	3
-32	1	1	3
-41	1	1	3
-42	1	1	3
-44	1	1	3
-45	1	1	3
-51	2	1	3
-52	2	1	3
-61	2	1	3
-62	2	1	3
-80	1	1	3 & 8
-82	1	1	3 & 8

**OPTION TABLE - EM1 - GEN V
24 VDC - Variable Speed**

MODEL EM1 Gen V 77-62124	Cover Kit (see Section 1.1.6)	Chassis Kit (see Section 1.1.4)	Wire Harness (see Section 1.1.5)
-00	N/A	1	3
-41	1	1	3
-42	1	1	3
-61	2	1	3
-62	2	1	3

1.1.4 EM-1, GEN-V, 3 SPEED CHASSIS KITS 77-62512-XX (COMMON PARTS): OPTION 1

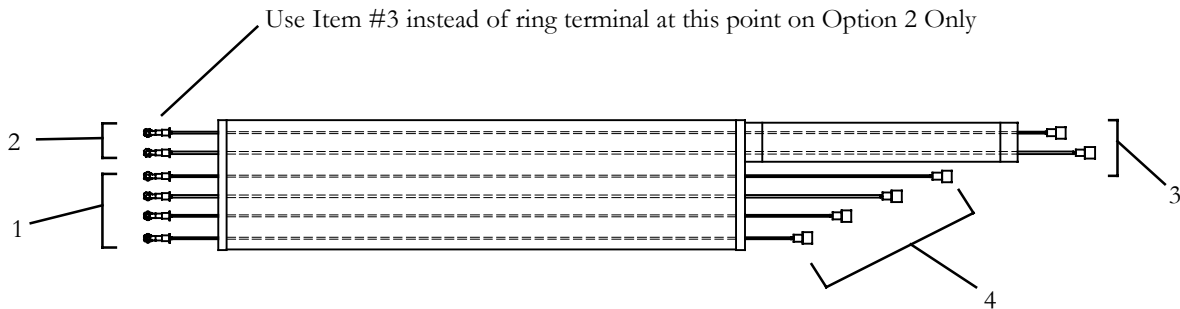




1.1.4 EM-1, GEN-V, 3 SPEED CHASSIS KITS 77-62512-XX (COMMON PARTS) - Cont:			
Item	Part Number	Description	Qty
1	38-00564-50Blower Wheel (Length: 29.12 Inches - 739.8 mm)	1
2	34-00482-05Set Screw, Cup Point, 1/4-28, SST	1
3	Y45-00005-50	Motor, Evaporator, EM-1, 12 VDC, (GEN-V)	1
	22-62328-00Fuse, 40A (Gen V 12 VDC)	1
4	Y45-00005-53	Motor, Evaporator, EM-1, 24 VDC, (GEN-V)	1
	22-62328-02Fuse, 25A (Gen V 24 VDC)	1
5	22-62169-00	Resistor, Fan Speed, 220 Watt, .820 OHM (3 Speed Application ONLY)	1
6	08-01068-00Coil Assembly, EM-1	1
7	AC201-412Switch, Pressure, Low	1
8	14-00397-00Valve, Thermal Expansion, R134a	1
9	AC801-202O-Ring, 1/2 Inch	2
10	12-00685-00	Thermostat, Freeze, Non-Adjustable	1
11	79-62106-00	Drain Pan Assembly, EM-1 - Includes:	1
12	42-62140-00Baffle, Drain Pan, Foam	1
13	22-62100-00	Terminal Block, 7 Position, With Screws	1
14	58-62064-00F25	Trim Seal, 1/8 Inch Grip, (25 Foot Roll)	1
15	76-62257-00	Bearing Housing & Boot Repair Kit	1
16	AC201-500	Thermostat, Return Air Sensor (Used on 77-62512-01, -46 & -64 ONLY)	1

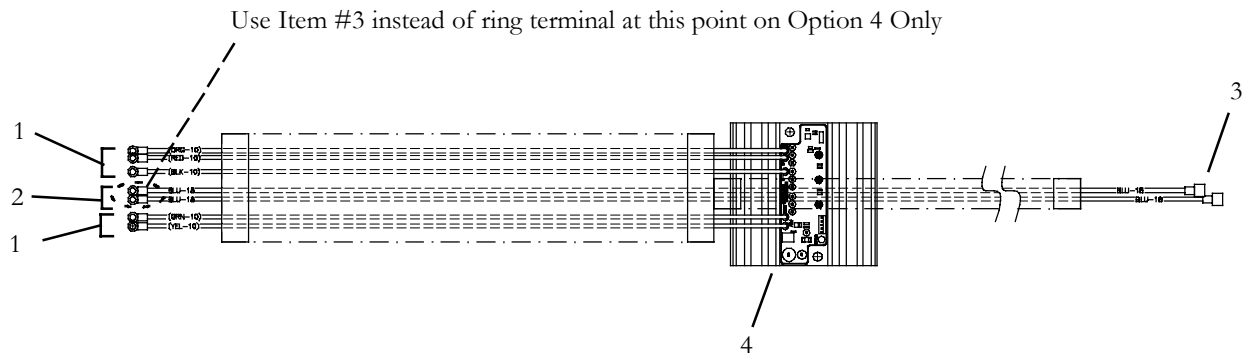
NOTE: Complete Wire Harnesses are Non-Stock Items. Replace Components are Listed.

1.1.5 EM1 GEN-V, Wire Harness 22-62168-00 & -01: OPTION 1 & OPTION 2



Item	Part Number	Description	Qty
1	22-00119-03	Terminal Ring #10, 12/10 AWG	4
2	22-00121-27	Terminal Ring #10, 22/18 AWG	2
3	22-02245-02	Terminal, Female, Fully Insulated Faston Straight 1/4", 22/18 AWG	2/3
4	31-1247	Terminal, Female, Fully Insulated Faston Straight 1/4", 12/10 AWG	4

1.1.5 EM1 GEN-V, Wire Harness 22-62099-00 & -01: OPTION 3 & OPTION 4

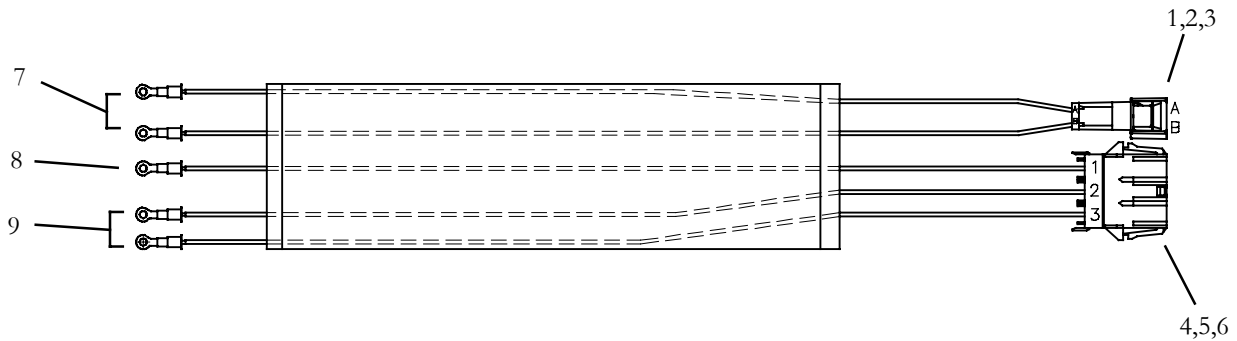


Item	Part Number	Description	Qty
1	22-01140-02	Terminal Ring #10, 12/10 AWG	5
2	22-00121-27	Terminal Ring #10, 22/18 AWG	2
3	22-02245-02	Terminal, Female, Fully Insulated Faston Straight 1/4", 22/18 AWG	2/4
4	12-00533-00	Speed Controller w/Harness	1



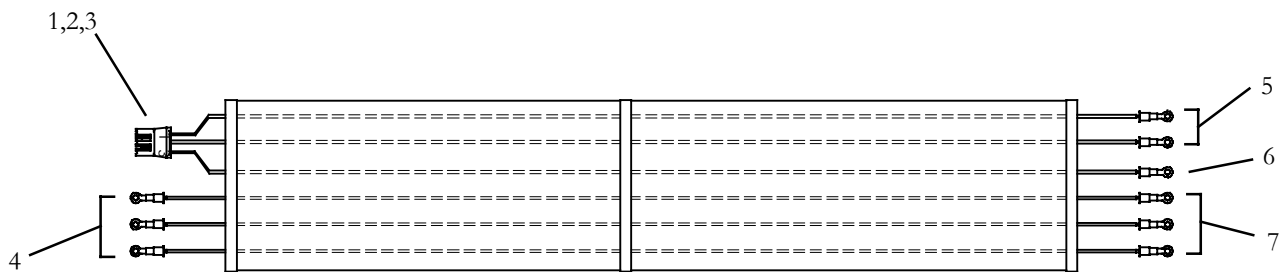
NOTE: Complete Wire Harnesses are Non-Stock Items. Replace Components are Listed.

1.1.5 EM1 GEN-V, Wire Harness 22-62286-00: OPTION 5



Item	Part Number	Description	Qty
1	22-50099-37	Connector, Male, 2 Way, MP 280 Series, Unsealed	1
2	22-50099-37A	Terminal, Male, 16/18 AWG	2
3	22-50099-37D	Lock, Secondary	1
4	22-50099-32	Connector, Plug Housing, 3 Way, Molex	1
5	22-50099-32A	Terminal, Male, Molex 10/12 AWG	2
6	22-50099-32B	Terminal, Male, Molex, 8 AWG	1
7	22-00121-27	Terminal Ring #10, 22/18 AWG	2
8	22-00119-03	Terminal Ring #10, 12/10 AWG	2
9	22-00872-01	Terminal Ring #10, 8 AWG	1

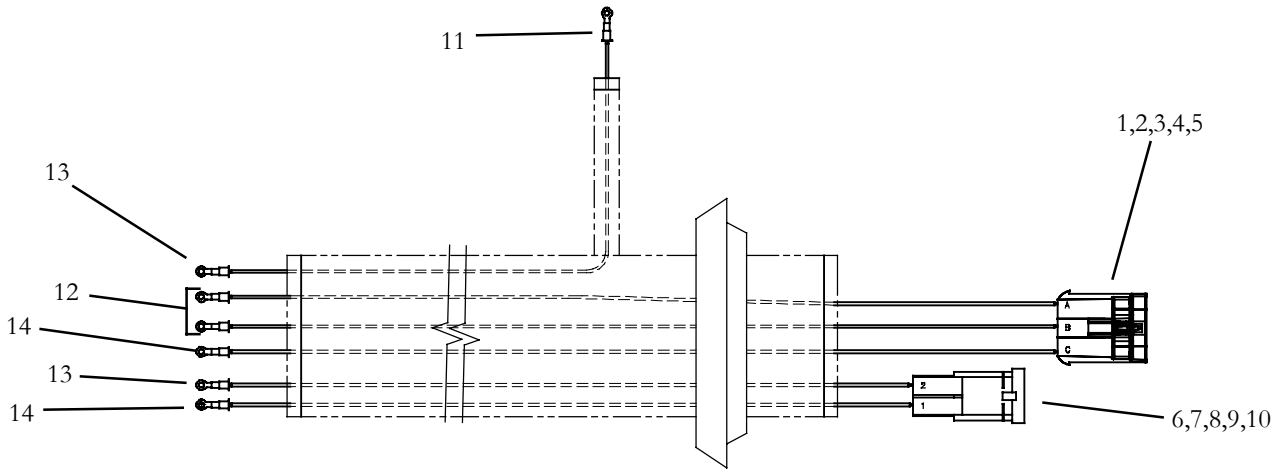
1.1.5 EM1 GEN-V, Wire Harness 22-62261-00: OPTION 6



Item	Part Number	Description	Qty
1	Y31-00007-00	Connector, Female, Molex, 3 Way	1
2	Y31-00007-50	Terminal, Female, Molex, 18-20 AWG	2
3	Y31-00007-51	Terminal, Female, Molex, 14-16 AWG	1
4	22-01140-04	Terminal, Ring 3/8", 12/10 AWG	3
5	22-00121-27	Terminal, Ring, #10 - 18 AWG	2
6	22-01139-02	Terminal, Ring, #10 - 14/16 AWG	1
7	22-01140-02	Terminal, Ring, #10 - 12/10 AWG	3

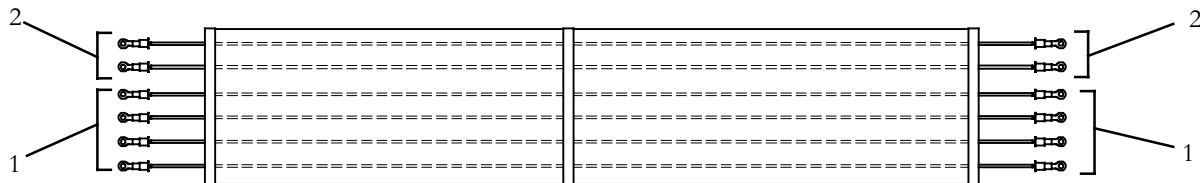
NOTE: Complete Wire Harnesses are Non-Stock Items. Replace Components are Listed.

1.1.5 EM1 GEN-V, Wire Harnesses 22-62247-00 & 22-62204-00: OPTION 7



Item	Part Number	Description	Qty
1	22-50078-86	Connector, Male, M/P 630, 3 Way	1
2	22-50078-49A	Terminal, Male, 18 AWG	2
3	22-50078-49C	Terminal, Male, 12 AWG	1
4	22-50078-86B	Cable Seal	3
5	22-50078-86A	Lock, Secondary	1
6	22-50098-67	Connector, Male, Tyco, 2 Way	1
7	22-50098-67B	Terminal, Male, 8 AWG	1
8	22-50098-67A	Terminal, Male, 10/12 AWG	1
9	22-50098-67C	Cable Seal, 10/12 AWG	1
10	22-50098-67D	Cable Seal, 8 AWG	1
11	22-00872-03	Terminal, Ring 5/16", 8 AWG	2
12	22-00121-27	Terminal, Ring, #10 - 18 AWG	2
13	22-00872-01	Terminal, Ring, #10 - 8 AWG	2
14	22-00119-03	Terminal, Ring, #10 - 12/10 AWG	2

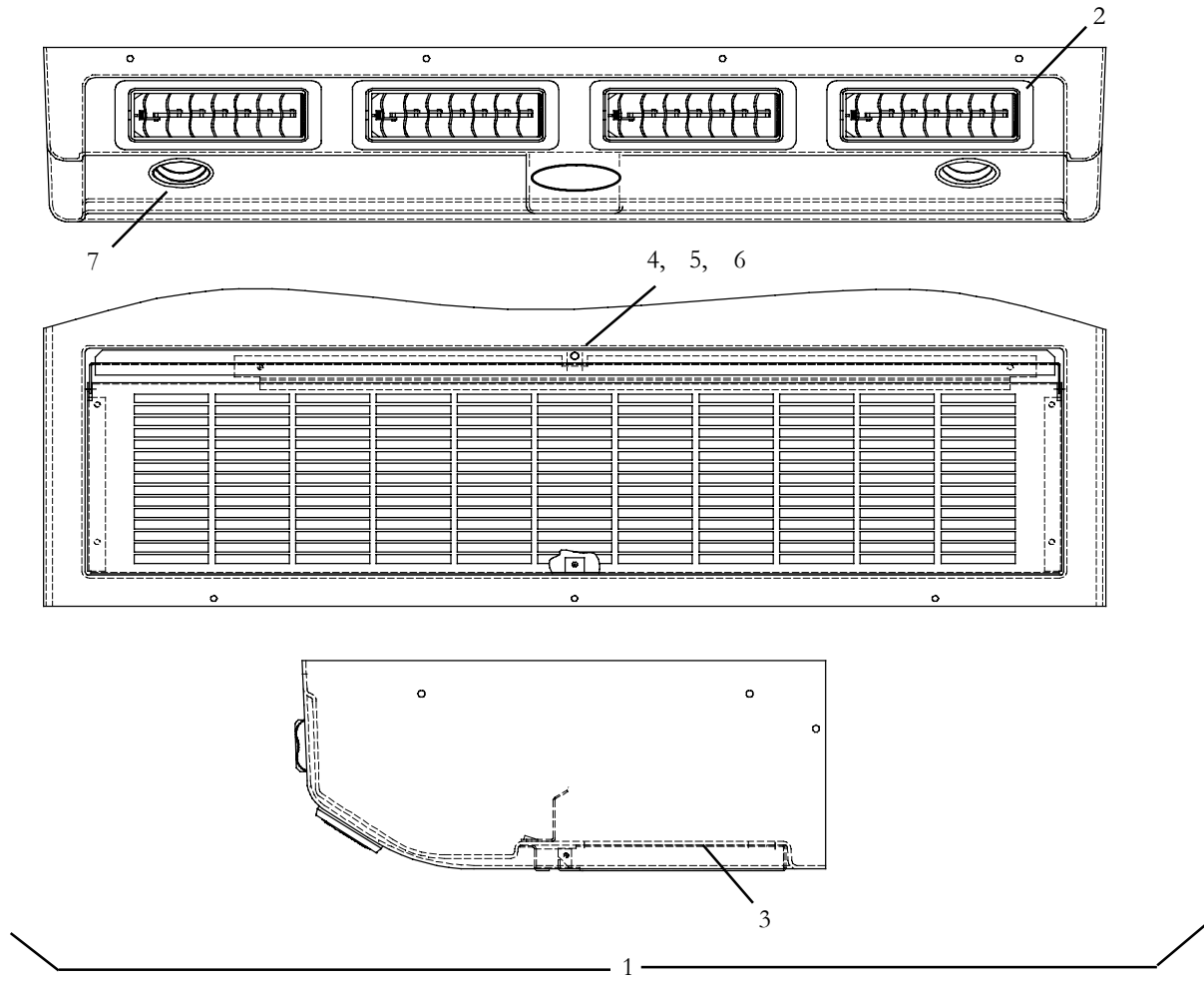
1.1.5 EM1 GEN-V, Wire Harness 22-62194-00: OPTION 8



Item	Part Number	Description	Qty
1	22-01140-02	Terminal Ring #10, 10 AWG	8
2	22-00121-27	Terminal Ring #10, 22/18 AWG	4

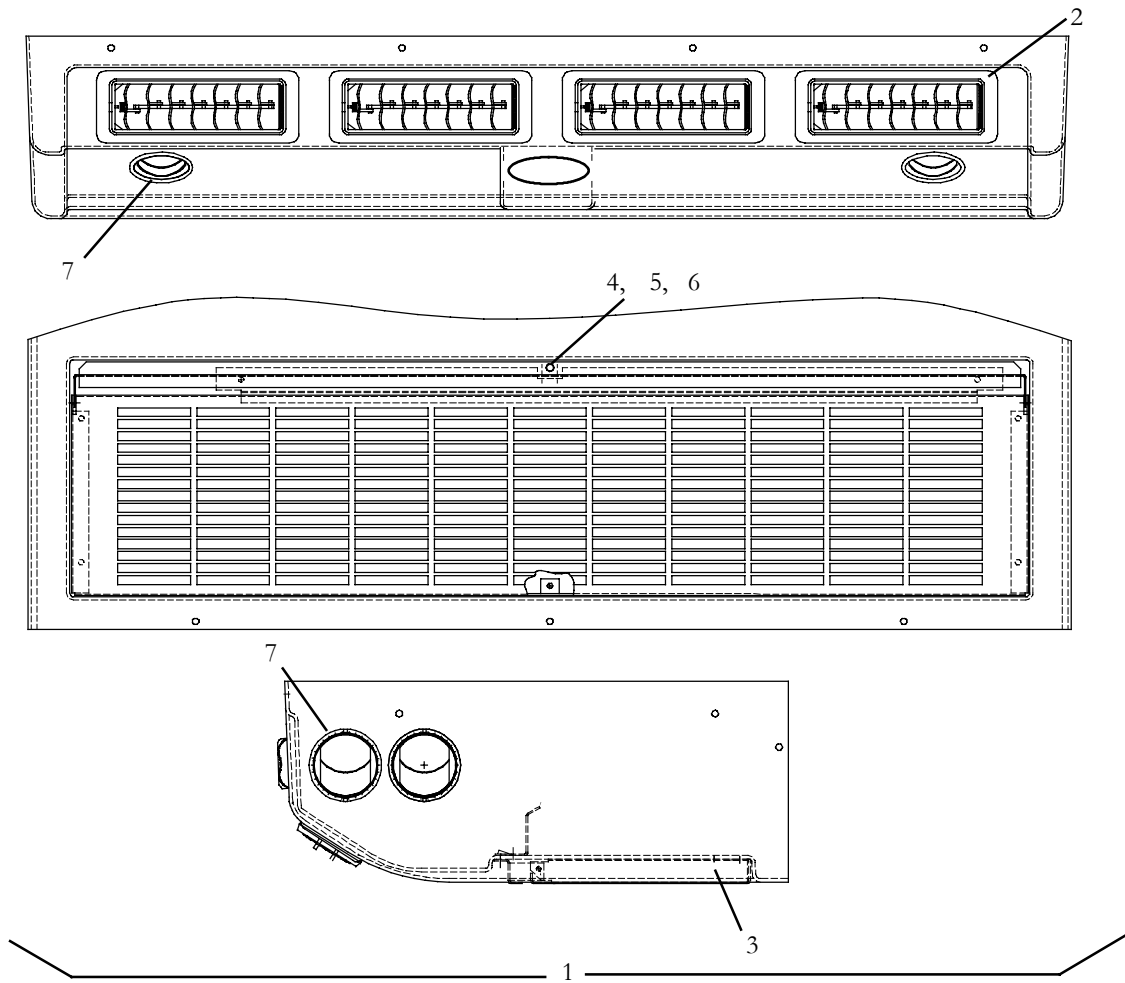


1.1.6 COVER ASSEMBLY, EM-1, GEN-V, 3 SPEED, REAR MOUNT - OPTION 1



Item	Part Number	Description	Qty
1	79-62035-01	Cover Assembly, Complete, Rear Mount, White - Includes:	1
	79-62035-02	Cover Assembly, Complete, Rear Mount, Gray - Includes:	1
2	58-62042-00Louver, Rectangle (8.0 X 3.0 Inches)	4
3	38-00573-01Filter, Air, EM-1, 36.5 X 9 Inches (GenV)	1
4	34-62019-00Receptacle, 1/4 Turn	1
5	34-62020-00Stud, 1/4 Turn, .25 Grip Range	1
6	34-06169-01Washer, Retaining, .215 I. D.	1
7	58-62077-00Louver, Adjustable, 3.00 Inch (Round)	2

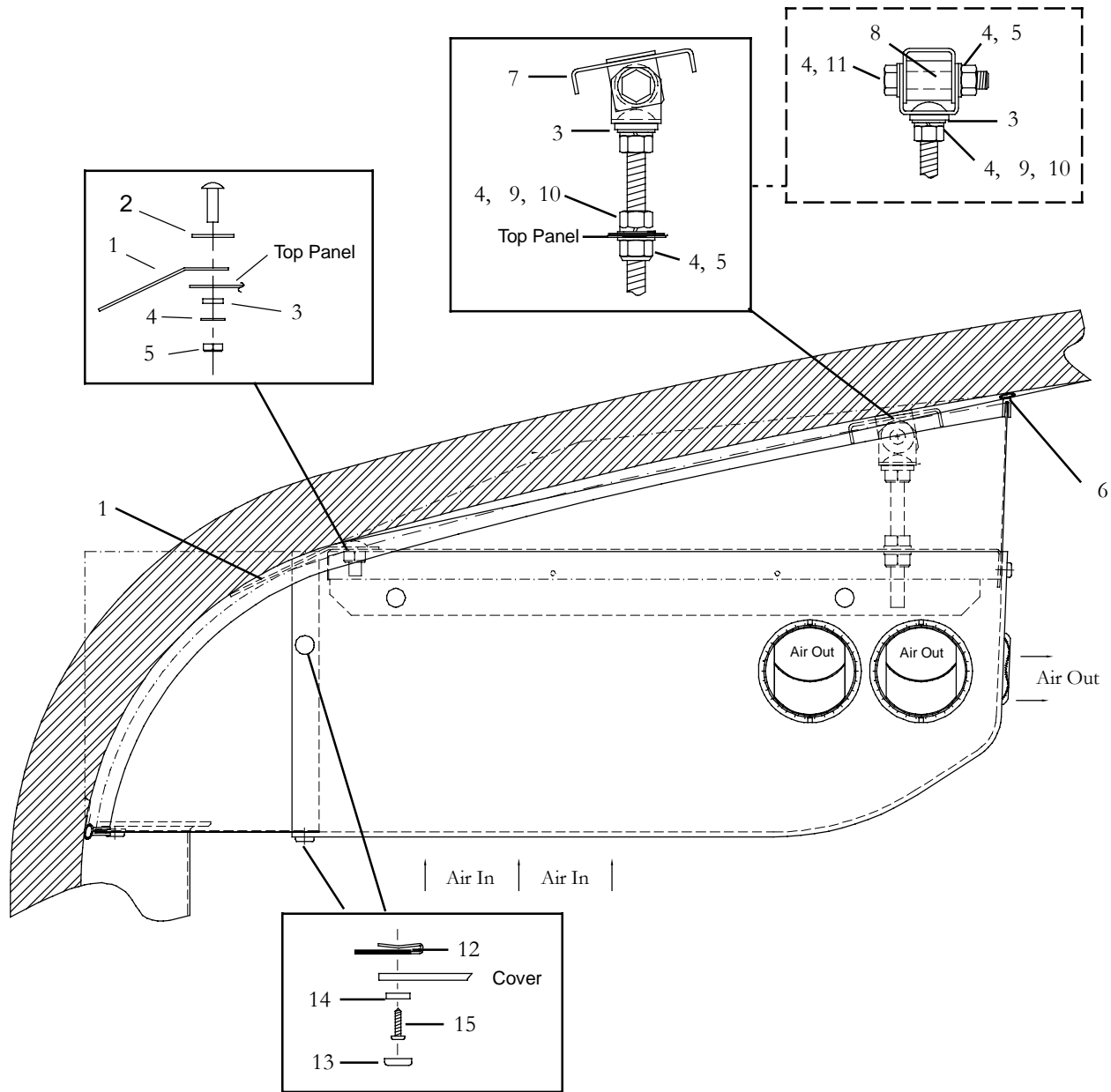
1.1.6 COVER ASSEMBLY, EM-1, GEN-V, 3 SPEED, SIDE MOUNT - OPTION 2



Item	Part Number	Description	Qty
1	79-62036-01	Cover Assembly, Complete, Side Mount, White - Includes:	1
	79-62036-02	Cover Assembly, Complete, Side Mount, Gray - Includes:	1
2	58-62042-00Louver, Rectangle (8.0 X 3.0 Inches)	4
3	38-00573-01Filter, Air, EM-1, 36.5 X 9 Inches (GenV)	1
4	34-62019-00Receptacle, 1/4 Turn	1
5	34-62020-00Stud, 1/4 Turn, .25 Grip Range	1
6	34-06169-01Washer, Retaining, .215 I. D.	1
7	58-62077-00Louver, Adjustable, 3.00 Inch (Round)	6



1.1.7 MISCELLANEOUS INSTALLATION COMPONENTS, EM-1, GEN-V, SIDE MOUNT



Item	Part Number	Description	Qty
1	68-63875-00	Rear Hanger, Side Mount	1
2	68-63874-00	Plate, Washer	2
3	AC601-602	Spacer, Steel, 7/8 OD X 1/2 ID X 1/8 Inch Long	2
4	NSI	Washer, Flat, 3/8 Inch, Zinc Plated	8
5	NSI	Nut, Hex, Lock, 3/8-16, Zinc Plated	6
6	AC801-412F25	Gasket, Trimlock, Black (25 Ft. Roll)	1
7	AC020-174	Bracket, Weld Assembly, Front Hanger	1
8	AC601-616	Spacer, Steel, 7/8 OD X 1/2 ID X 1 Inch Long	2
9	NSI	Washer, Split Lock, 3/8 Inch, Zinc Plated	6



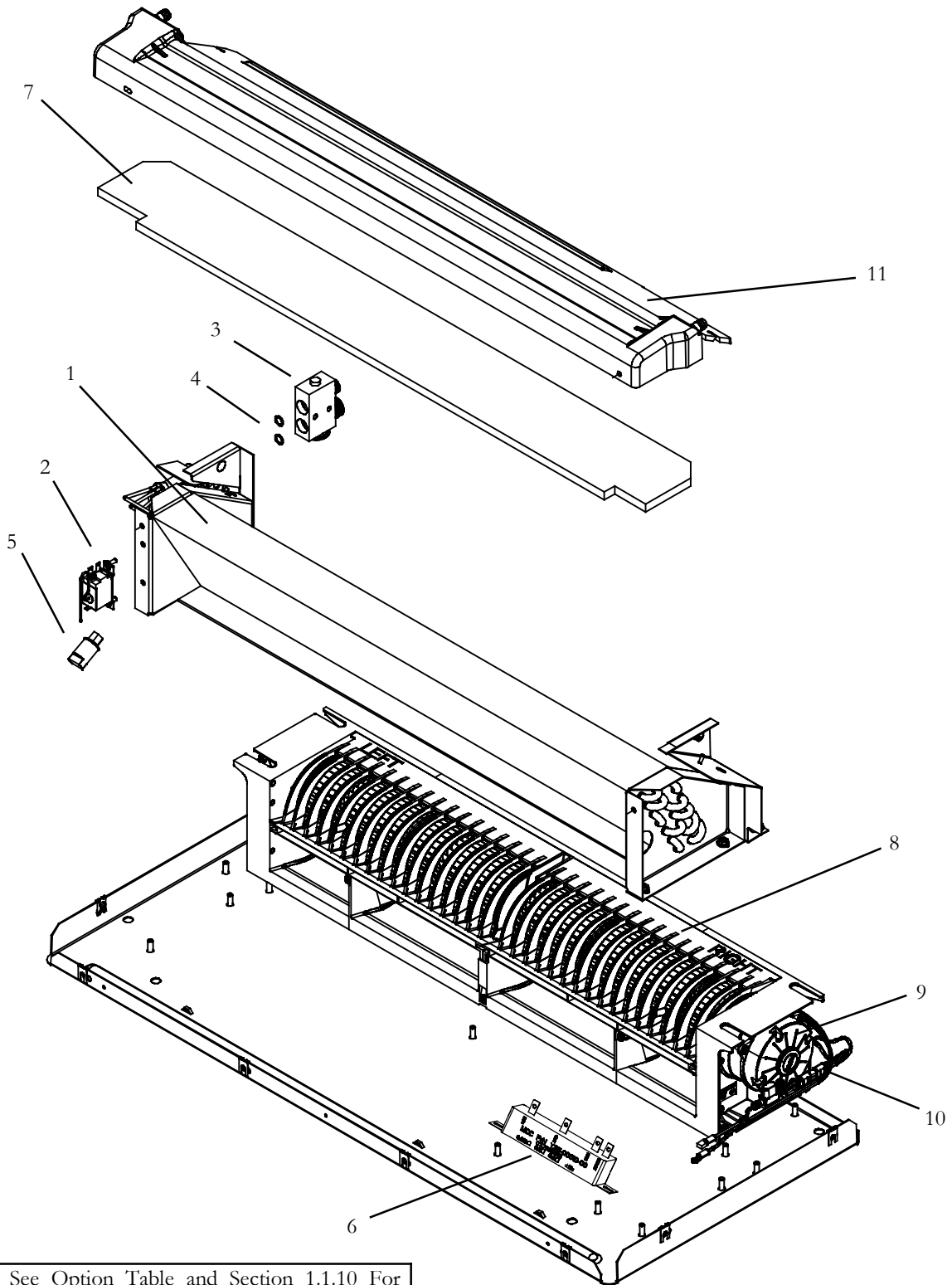
1.1.7 INSTALLATION COMPONENTS, EM-1, GEN-V, SIDE MOUNT - Continued:			
Item	Part Number	Description	Qty
10	NSI	Nut, Hex, 3/8-16, Zinc Plated	4
11	NSI	Bolt, Hex Head, 3/8-16 X 2 Inch, Zinc Plated, Grade 8	2
12	AC701-123	Tinnerman Clip, Hi Torque, #10 AB	8
13	AC801-531	Cap, Snap, White	8
	AC801-532	Cap, Snap, Gray	8
14	AC801-529	Washer, Snap Cap	8
15	NSI	Screw, Pan Head Phillips, #10 X 5/8 Inch, AB, Black	8

OPTION TABLE - EM1 - GEN VI

MODEL EM1 Y73-EM101	Cover Kit (see Section 1.1.9)	Chassis Kit (see Section 1.1.8)	Wire Harness (see Section 1.1.10)
-21	1	1	1
-22	1	1	1
-23	2	1	1
-31	1	1	1
-32	1	1	1
-41	1	1	1
-42	1	1	1
-44	1	1	1
-45	1	1	1
-47	1	1	1
-61	2	1	1
-62	2	1	1
-64	2	1	1
-81	1	1	2
-83	1	1	2
-91	2	1	3
-96	1	1	1



1.1.8 EM-1, GEN-VI, 3 SPEED CHASSIS KITS Y73-EM101-00 thru -02 (COMMON PARTS): OPTION 1



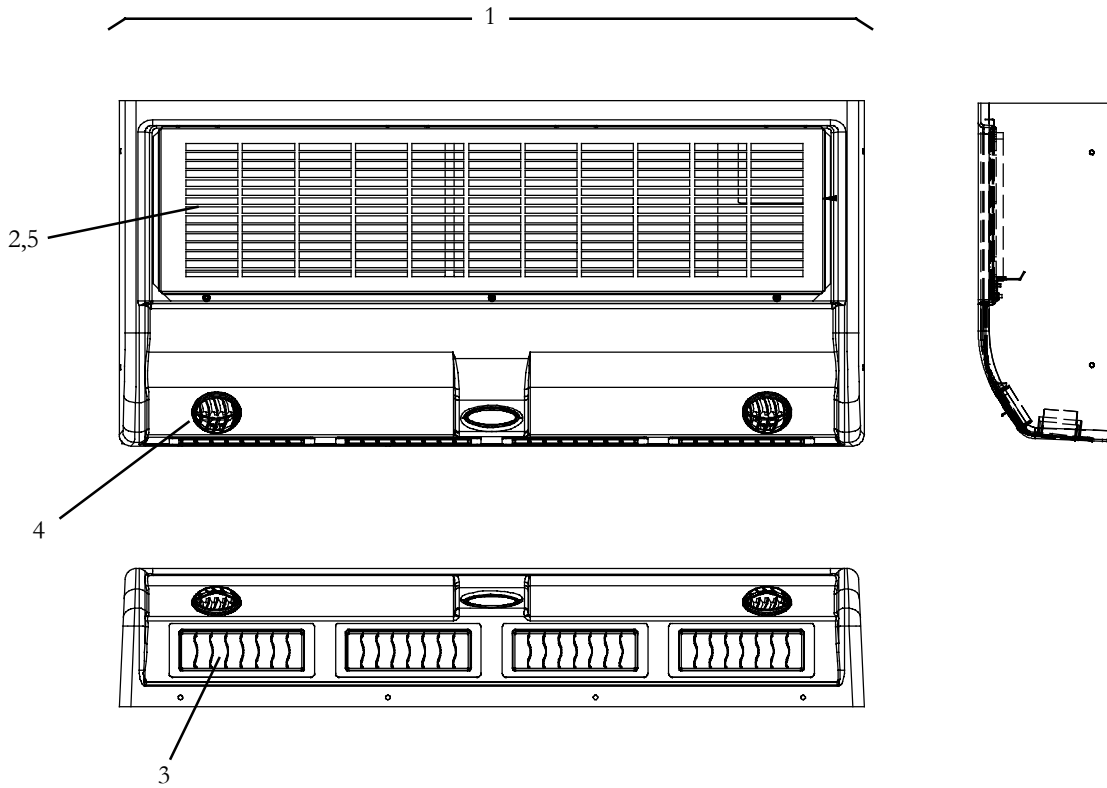
NOTE: See Option Table and Section 1.1.10 For Y73-EM101-00 thru -02 Wire Harnesses



1.1.8 EM-1, GEN-VI, 3 SPEED CHASSIS KITS Y73-EM101-00 thru -02 (COMMON PARTS) : OPTION 1- Cont:			
Item	Part Number	Description	Qty
1	08-01068-00	Coil Assembly, Evaporator	1
2	12-00685-00	Thermostat	1
3	14-00397-00	Expansion Valve	1
4	AC801-202	O-Rings, 1/2" HN BR	2
5	AC201-412	Pressure Switch, Low	1
6	Y35-00010-00	Resistor, 12 VDC, With Screw Terminals	1
7	42-62140-00	Baffle, Evaporator	1
8	54-00646-00	Blower Assembly, 12VDC, Includes:	1
9	54-00646-50	Blower Motor, 12VDC	2
10	54-00646-60	Harness, Blower Motor, 12VDC	1
11	58-62186-00	Drain Pan	1

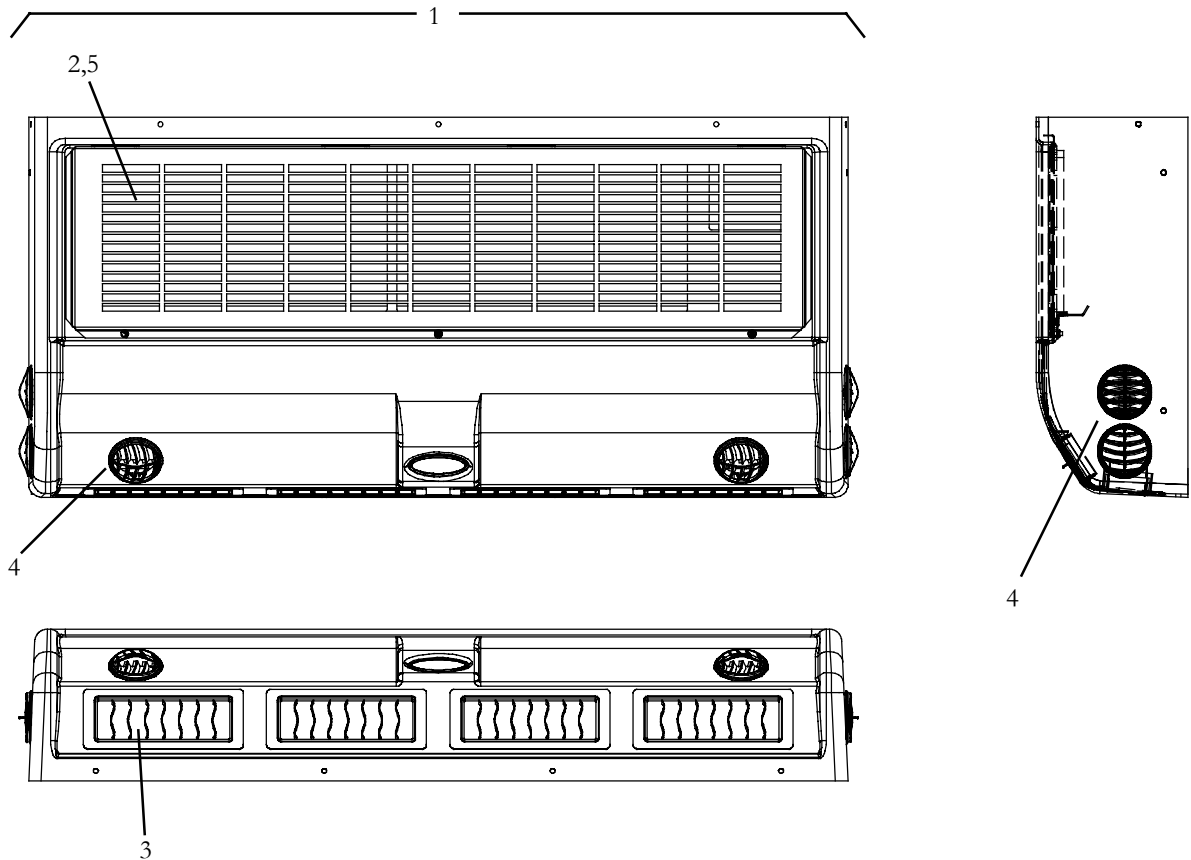


1.1.9 EM-1, GEN-VI, COVER ASSEMBLY, REAR MOUNT : OPTION 1
(Used on MODELS Y19-EM101-21,-22,-31,-32,-41,-42,-44,-45,-47,-81,-83 & -96)



Item	Part Number	Description	Qty
1	Y28-00025-00	Cover Assembly, Gray, (used on -22,-32,-42,-44,-47,-83 & -96))	1
	Y28-00025-01	Cover Assembly, White, (used on -21,-31,-41,-45 & -81))	1
2	38-00573-01	Filter, Air	1
3	58-62042-00	Diffuser, Air, Adjustable Rectangular	4
4	Y23-00002-00	Louver, 2.5" Fixed Vane	2
5	Y24-00108-00	Grille, Return Air	1

1.1.9 EM-1, GEN-VI, COVER ASSEMBLY, SIDE MOUNT: OPTION 2
 (Used on MODELS Y19-EM101-23,-61,-62,-64 & -91)

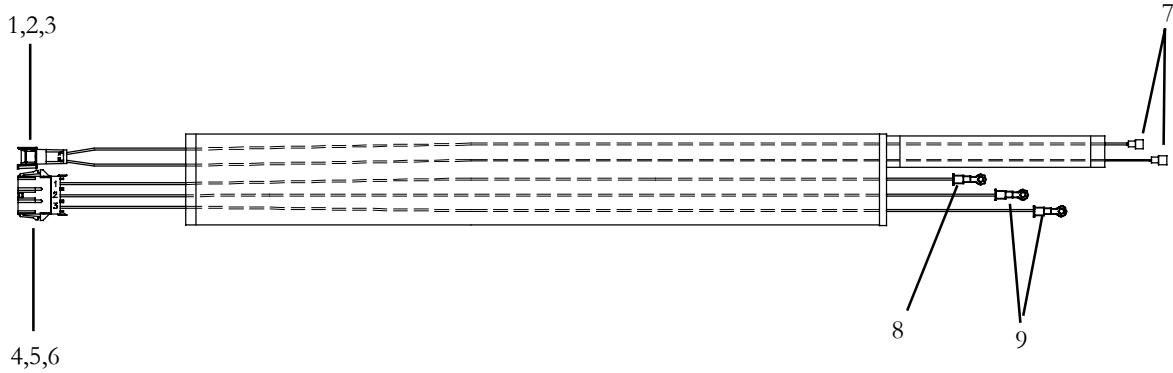


Item	Part Number	Description	Qty
1	Y28-00025-02	Cover Assembly, Gray, (used on -23,-62,-64 & -91))	1
	Y28-00025-03	Cover Assembly, White, (used on -61)	1
2	38-00573-01	Filter, Air	1
3	58-62042-00	Diffuser, Air, Adjustable Rectangular	4
4	Y23-00002-00	Louver, 2.5" Fixed Vane	6
5	Y24-00108-00	Grille, Return Air	1



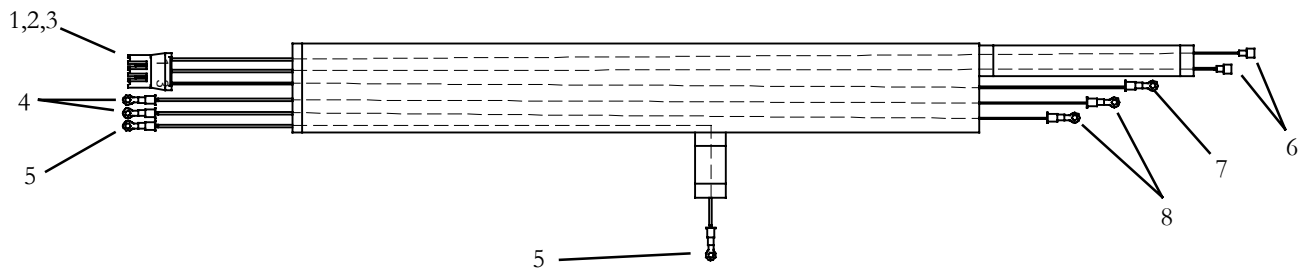
NOTE: Complete Wire Harnesses are Non-Stock Items. Replace Components are Listed.

1.1.10 EM1 GEN-VI, Wire Harness 22-62303-00: OPTION 1



Item	Part Number	Description	Qty
1	22-50099-37	Connector, Male, MP 280 Series, Unsealed	1
2	22-50099-37A	Terminal, Male, 16/18 AWG	2
3	22-50099-37D	Lock, Secondary	1
4	22-50099-32	Connector, Plug Housing, 3 Way, Molex	1
5	22-50099-32A	Terminal, Male, Molex 10/12 AWG	2
6	22-50099-32B	Terminal, Male, Molex, 8 AWG	1
7	22-02245-02	Terminal, Female, Fully Insulated, 22/18 AWG	2
8	22-02245-01	Terminal, Ring, #10 - 8 AWG	1
9	22-01140-02	Terminal, Ring, #10 - 12/10 AWG	2

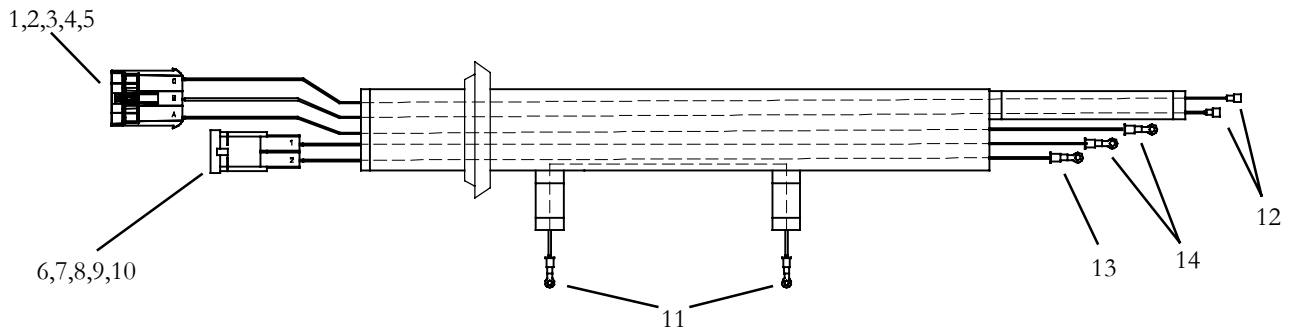
1.1.10 EM1 GEN-VI, Wire Harness 22-62303-01: OPTION 2



Item	Part Number	Description	Qty
1	Y31-00007-00	Connector, Female, Molex, 3 Way	1
2	Y31-00007-50	Terminal, Female, Molex, 18-20 AWG	2
3	Y31-00007-51	Terminal, Female, Molex, 14-16 AWG	1
4	22-01140-04	Terminal, Ring 3/8", 12/10 AWG	2
5	22-00872-03	Terminal, Ring 5/16", 8 AWG	2
6	22-02245-02	Terminal, Female, Fully Insulated, 22/18 AWG	2
7	22-01139-02	Terminal, Ring, #10 - 14/16 AWG	1
8	22-01140-02	Terminal, Ring, #10 - 12/10 AWG	2

NOTE: Complete Wire Harnesses are Non-Stock Items. Replace Components are Listed.

1.1.10 EM1 GEN-VI, Wire Harness 22-62303-02: OPTION 3

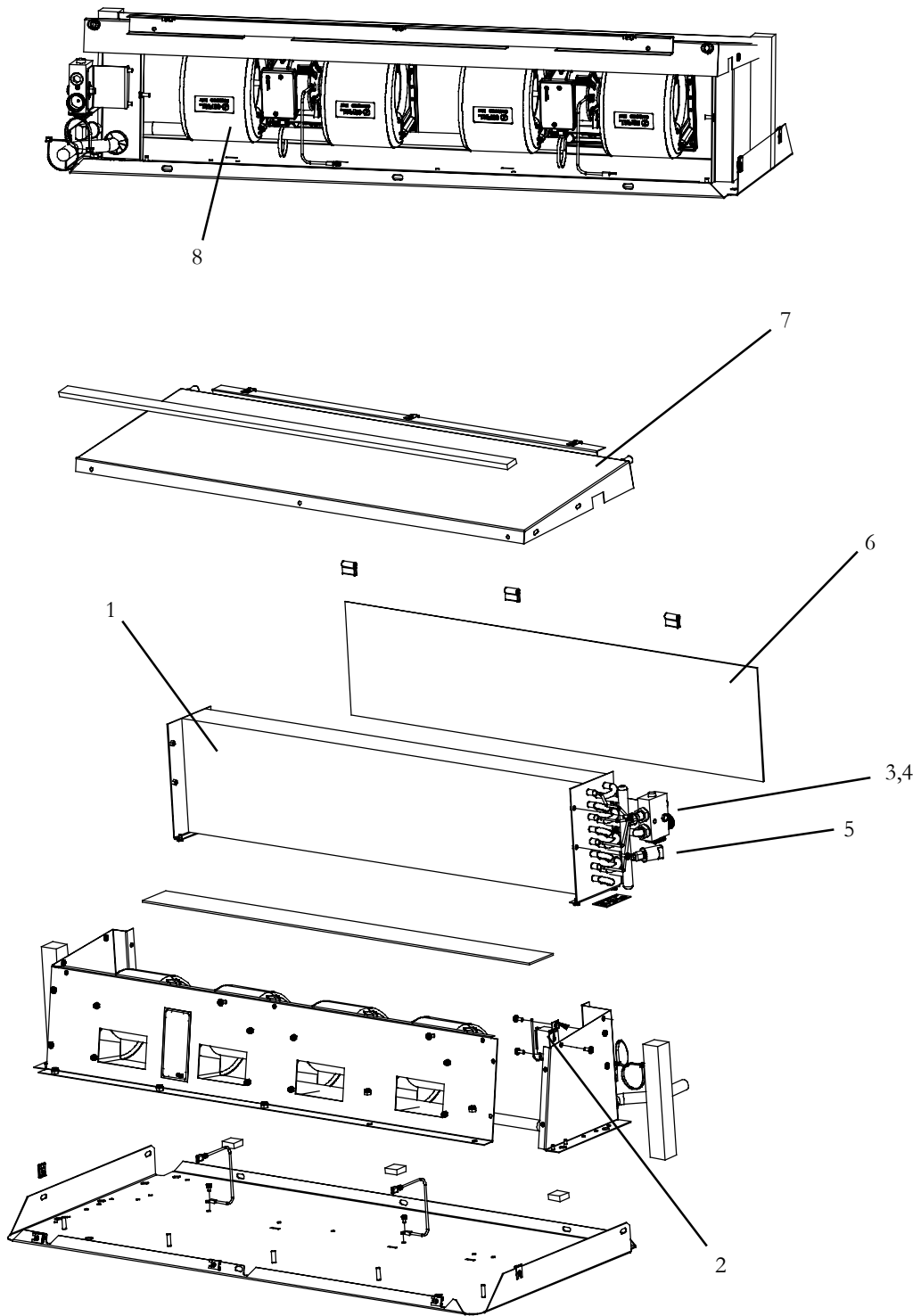


Item	Part Number	Description	Qty
1	22-50078-86	Connector, Male, M/P 630, 3 Way	1
2	22-50078-49A	Terminal, Male, 18 AWG	2
3	22-50078-49C	Terminal, Male, 12 AWG	1
4	22-50078-86B	Cable Seal	3
5	22-50078-86A	Lock, Secondary	1
6	22-50098-67	Connector, Male, Tyco, 2 Way	1
7	22-50098-67B	Terminal, Male, 8 AWG	1
8	22-50098-67A	Terminal, Male, 10/12 AWG	1
9	22-50098-67C	Cable Seal, 10/12 AWG	1
10	22-50098-67D	Cable Seal, 8 AWG	1
11	22-00872-03	Terminal, Ring 5/16", 8 AWG	2
12	22-02245-02	Terminal, Female, Fully Insulated, 22/18 AWG	1
13	22-00872-01	Terminal, Ring, #10 - 8 AWG	1
14	22-01140-02	Terminal, Ring, #10 - 12/10 AWG	2

OPTION TABLE - EM1 - CLASSIC LINE

MODEL EM1 Y19-EM107	Cover Kit <small>(see Section 1.1.9)</small>	Chassis Kit <small>(see Section 1.1.11)</small>	Wire Harness <small>(see Section 1.1.13)</small>
-00	-	1	1
-01	-	2	1
-21	2	1	1
-22	1	1	1
-23	2	2	1
-24	1	2	1
-30	2	1	1
-31	1	1	1
-32	2	2	1
-33	1	2	1

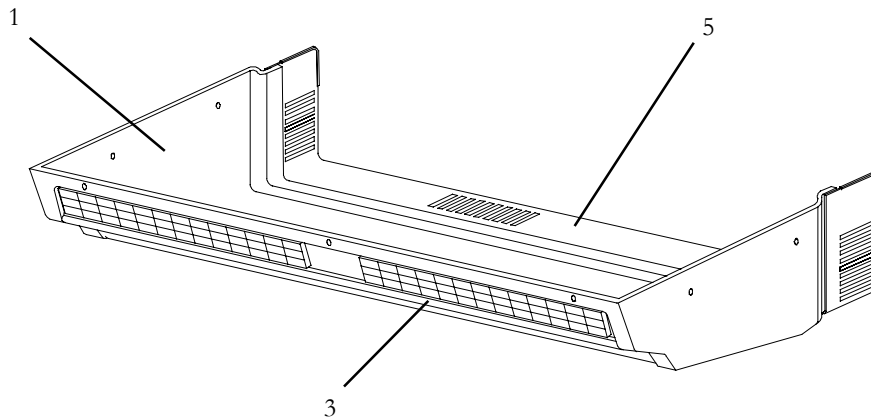
1.1.11 EM-1, CLASSIC LINE, 12 VDC, 3 SPEED CHASSIS KITS Y73-EM103-00 & 01 , OPTION 1 & 2





1.1.11 EM-1, CLASSIC LINE, 12 VDC, 3 SPEED CHASSIS KITS Y73-EM103-00 & 01, OPTION 1 & 2, Cont:			
Item	Part Number	Description	Qty
1	08-62060-00	Coil Assembly, Evaporator (Cool Only): OPTION 1	1
	08-62059-00	Coil Assembly, Evaporator (With Heat): OPTION 2	1
2	12-00685-00	Thermostat	1
3	14-00397-00	Expansion Valve	1
4	AC801-202	O-Rings, 1/2" HN BR	2
5	AC201-412	Pressure Switch, Low	1
6	AC801-405	Filter, Air	1
7	79-02383-00	Drain Pan Assembly	1
8	Y15-00003-00	Blower Assembly, 12VDC, w/Resistor	2

1.1.12 EM-1, CLASSIC LINE, COVER ASSEMBLY, REAR MOUNT : OPTION 1 & 2

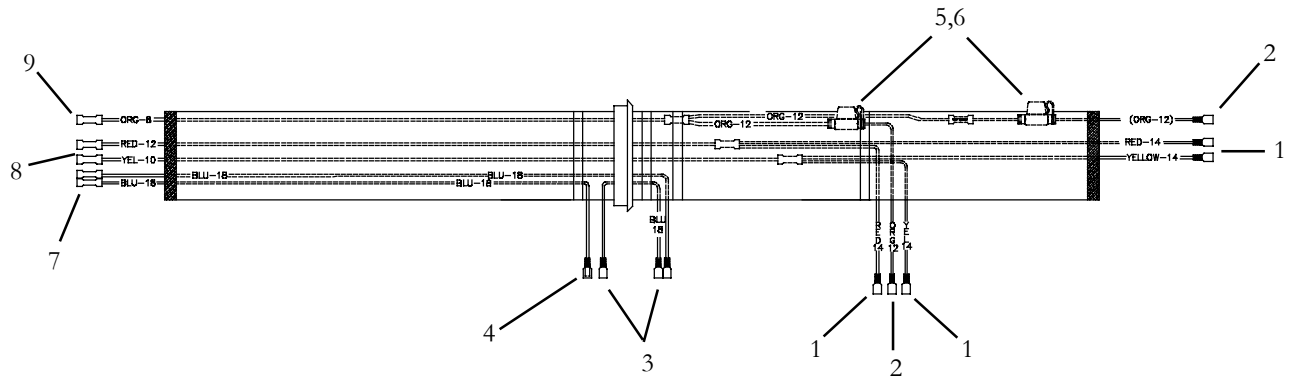


Item	Part Number	Description	Qty
1	79-62071-01	Cover Assembly, Gray, Includes: OPTION 1	1
	79-62071-00	Cover Assembly, White, Includes: OPTION 2	1
2	AC401-320	Diffuser, Air, Adjustable Rectangular	2
3	AC022-251	Grille, Return Air	1

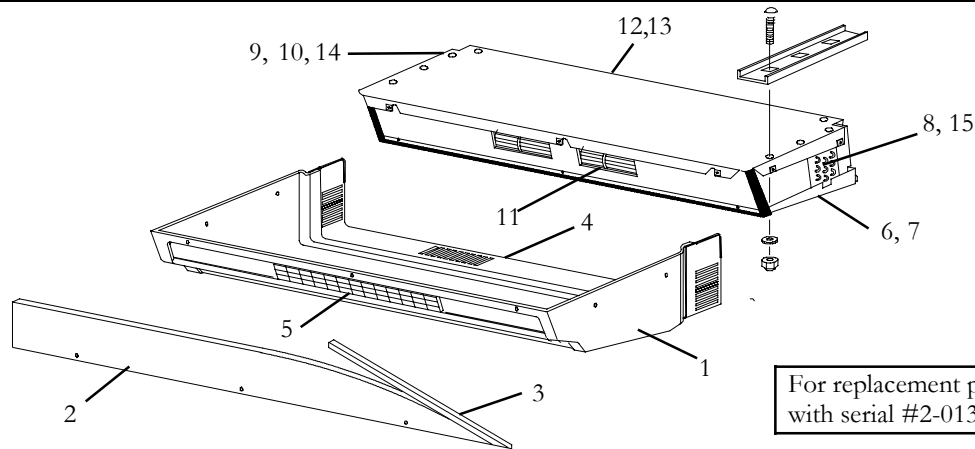
NOTE

Complete Wire Harnesses are Non-Stock Items. Replacement Components are Listed.

1.1.13 EM1 Classic Line, 12 VDC Wire Harness Y25-00099-01, OPTION 1

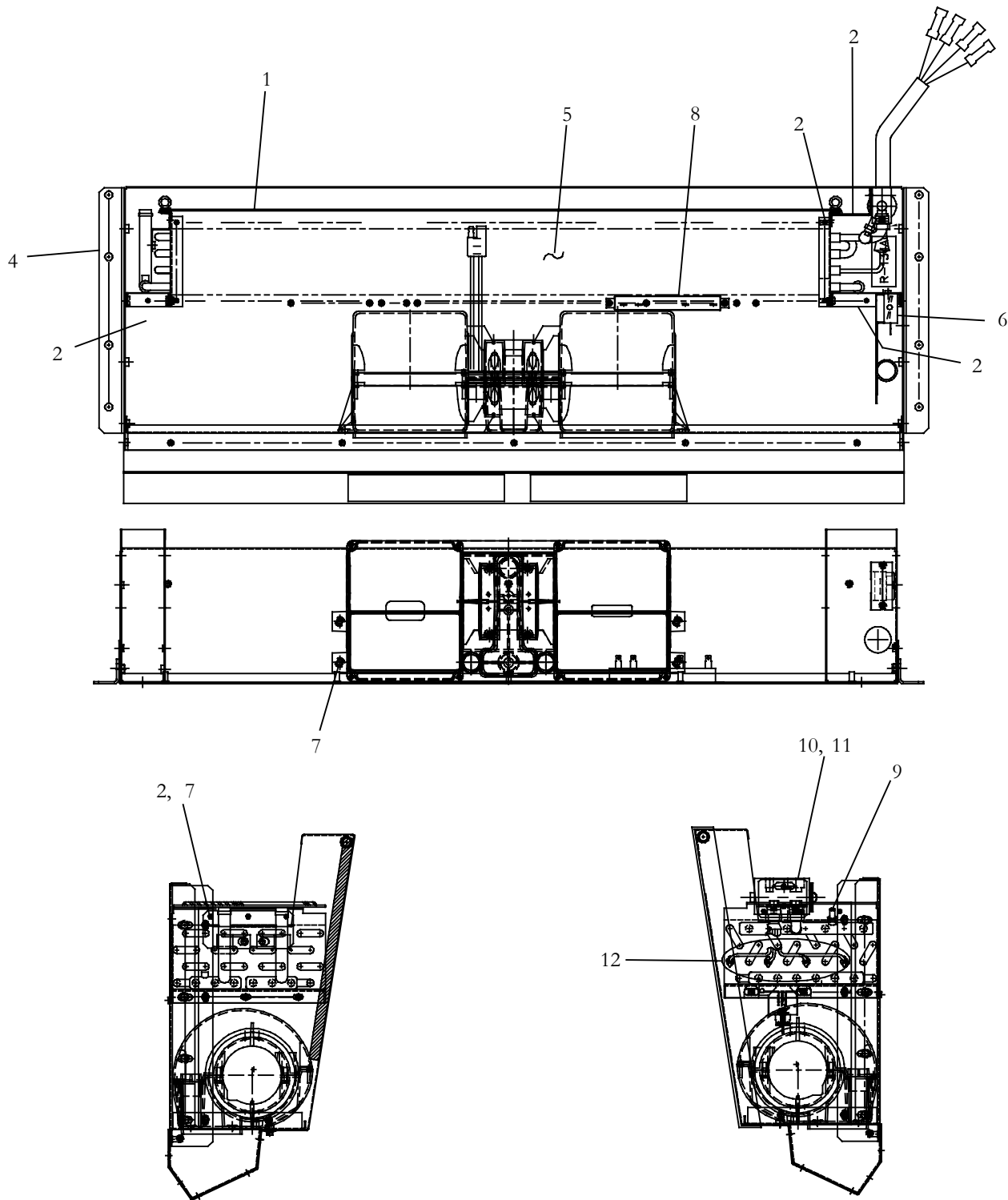


Item	Part Number	Description	Qty
1	22-01141-01	Terminal, Female, 1/4" Pushon, Insulated 16-14 AWG	4
2	22-01142-XX	Terminal, Female, 1/4" Pushon, Insulated 10-12 AWG	2
3	22-02245-02	Terminal, Female, 1/4" Pushon, Insulated 22-18 AWG	3
4	22-01502-00	Terminal, Male, 1/4" Pushon, Insulated 22-18 AWG	1
5	22-02338-07	Fuseholder, w/Cap	2
6	22-02336-26	Fuse, Mini, 25A	2
7	REF	Terminal, Butt Splice, Heat Sealable, 22-18 AWG (Molex Part # 19164-0013)	2
8	REF	Terminal, Butt Splice, Heat Sealable, 12-10 AWG (Molex Part # 19164-0056)	2
9	REF	Terminal, Butt Splice, Heat Sealable, 8 AWG (Molex Part # 19164-0079)	1
N.S.	Y30-13000-00	Nyogel	1

SECTION 1.2 EM-2 EVAPORATORS
1.2.1 EVAPORATOR, EM-2, GEN 4, FREE BLOW


Item	Part Number	Description	Qty
1	N/A	Cover Assembly, White	1
	N/A	Cover Assembly, Gray	1
	N/A	Cover Assembly, Beige	1
2	N/A	Trim Strip, Beige	1
	N/A	Trim Strip, White/Gray	1
3	AC801-412F25	Flexible Trim, Black (25 Ft. Roll)	1
4	N/A	Grill, Air Inlet, Painted (Black)	1
5	AC401-320	Louver Assembly, Air Outlet, (3 3/8 Inch X 14 3/8 Inch)	1
6	N/A	Drain Pan Assembly, (Foamed)	1
7	AC022-313	Baffle, Foam, EM-2 Drain Pan	1
8	08-62059-00	Coil Assembly, With Heat, With Low Pressure Switch Connection	1
	08-62060-00	Coil Assembly, With Low Pressure Switch Connection	1
9	14-00397-00	Thermal Expansion Valve, R134a	1
10	AC201-501	Thermostat, Freeze-Up	1
11	AC401-232	Blower, Assembly, Dual, 12 Volt	1
	AC401-233	Blower, Assembly, Dual, 24 Volt	1
12	76-62019-00	Resistor Kit, (1.8 Ohm, 4 Prong)	1
13	AC801-451	Filter, Return Air, (35 X 7 1/4 Inch)	1
14	AC801-202	O-Ring, 1/2 Inch	4
15	AC201-412	Switch, Low Pressure	1

1.2.2 EVAPORATOR, EM-2 CHASSIS KIT WITH HEAT, GEN 4



REF. CHASSIS KIT #77-62210-01 A



1.2.2 EVAPORATOR, EM-2 CHASSIS KIT WITH HEAT, GEN 4 - Continued:			
Item	Part Number	Description	Qty
1	AC801-405	Filter, Return Air (.090 Thick x 8.00 x 35.38 Inches)	1
2	AC701-401	Rivet, Pop, 3/16, Steel	11
3	AC801-412F25	Gasket, Trimlock, Black (25 Ft. Roll)	1
4	AC022-313	Baffle, Drain Pan, Foam	1
5	08-62059-00	Coil Assembly, Evaporator/Heater, With Low Pressure Switch Connection	1
6	12-00685-00	Thermostat, Freeze-Up, Non-Adjustable	1
7	54-00588-00	Fan & Motor Assembly, Evaporator, 12 VDC	1
8	76-62019-00	Resistor Kit, (1.8 Ohm, 4 Prong)	1
9	AC201-412	Switch, Pressure, Low	1
10	14-00397-00	Valve, Thermal Expansion, Block Type, R134a	1
11	AC801-202	O-Ring, 1/2 Inch, HNBR	2
12	42-00032-00	Tape, Insulation, Presstite, 2.00 x 30.00 Feet Long	1

**OPTION TABLE - EM2 - GEN V,
12 VDC - 3 Speed**

MODEL EM2 Gen V 77-62522	Cover Kit (see Section 1.2.5)	Chassis Kit (see Section 1.2.3)	Wire Harness (see Section 1.2.4)
-00	-	1	1
-02	1	1	2
-05	1	1	1 & 5
-06	2	1	1 & 7
-07	2	1	1 & 7
-21	1	1	1 & 5
-22	1	1	1 & 5
-23	2	1	1 & 5
-31	1	1	1 & 5
-32	1	1	1 & 5
-41	1	1	1 & 5
-42	1	1	1 & 5
-44	1	1	1 & 5
-45	1	1	1 & 5
-47	1	1	1 & 5
-51	2	1	1 & 5
-52	2	1	1 & 5
-61	2	1	1 & 5
-62	2	1	1 & 5
-80	1	1	1 & 6
-81	1	1	1 & 6
-82	1	1	1 & 6
-83	1	1	1 & 6
-85	1	1	1 & 5
-90	2	1	1 & 7
-91	2	1	1 & 7
-95	1	1	1 & 5
-96	1	1	1 & 5

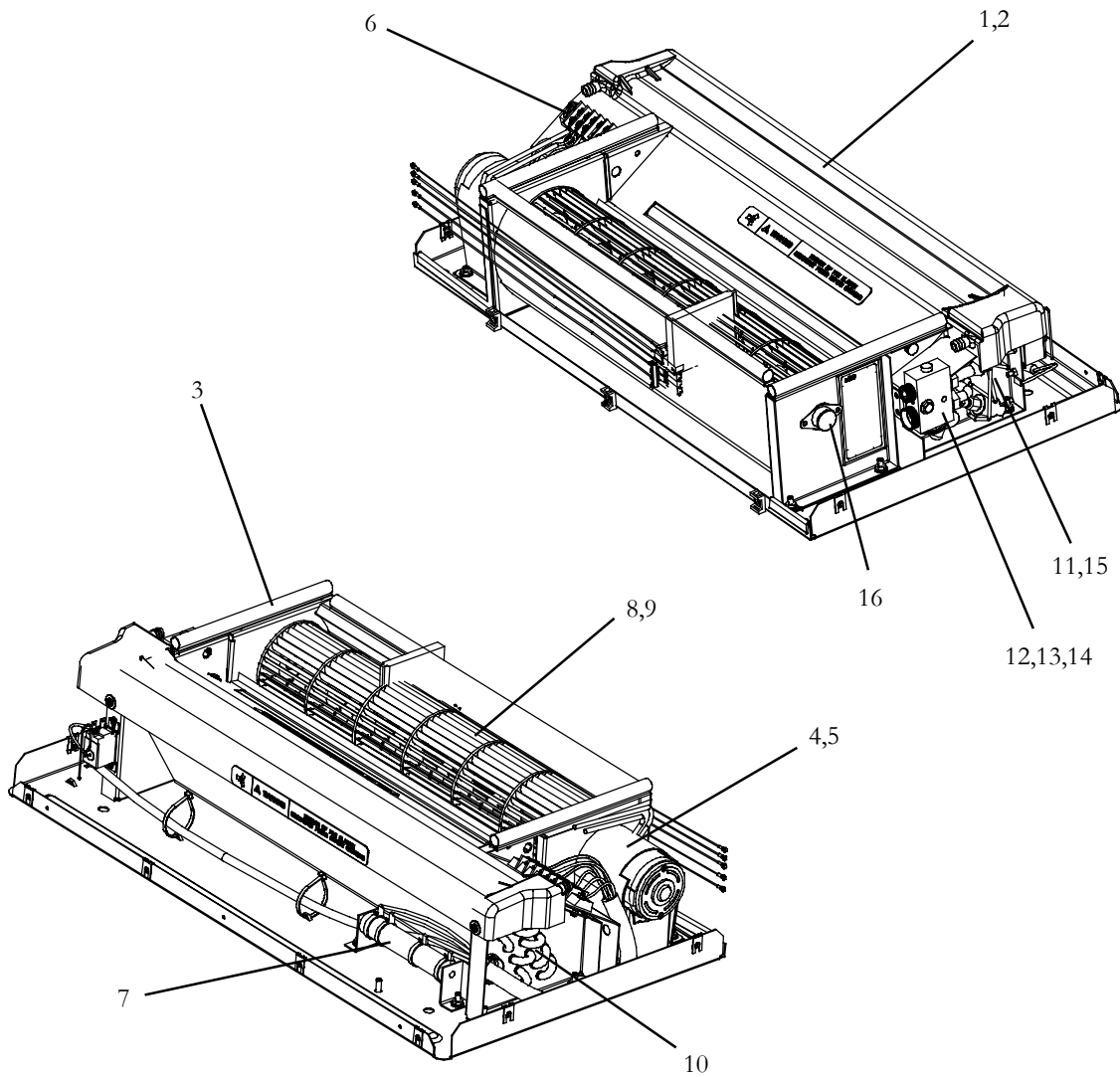
**OPTION TABLE - EM2 - GEN V
12 VDC - Variable Speed**

MODEL EM2 Gen V 77-62212	Cover Kit (see Section 1.2.5)	Chassis Kit (see Section 1.2.3)	Wire Harness (see Section 1.2.4)
-00	-	1	2
-21	1	1	2
-22	1	1	2
-31	1	1	2
-32	1	1	2
-41	1	1	2
-42	1	1	2
-44	1	1	2
-45	1	1	2
-61	2	1	2
-62	2	1	2
-80	1	1	2
-82	1	1	2

**OPTION TABLE - EM2 - GEN V
24 VDC - Variable Speed**

MODEL EM2 Gen V 77-62224	Cover Kit (see Section 1.2.5)	Chassis Kit (see Section 1.2.3)	Wire Harness (see Section 1.2.4)
-00	-	1	2
-41	1	1	2
-42	1	1	2
-61	2	1	2
-62	2	1	2

1.2.3 EVAPORATOR, EM-2, GEN V (Common Parts) OPTION 1



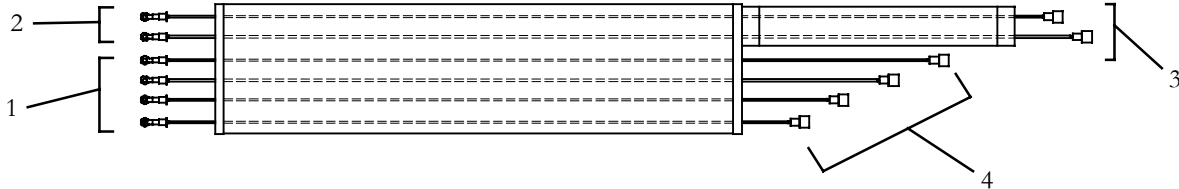
Item	Part Number	Description	Qty
1	79-62106-01	Drain Pan Assembly, EM-2 - Includes:	1
2	42-62140-01Baffle, Drain Pan, Foam	1
3	58-62064-00F25	Trim Seal, 1/8 Inch Grip, (25 Foot Roll)	1
4	Y45-00005-51	Motor, Evaporator, EM-2, 12 VDC, (GEN V)	1
	22-62328-01Fuse, 30A, EM-2, 12 VDC, (GEN V)	1
	Y45-00005-54	Motor, Evaporator, EM-2, 24 VDC, (GEN V)	1
	22-62328-03Fuse, 20A, EM-2, 24 VDC, (GEN V)	1
5	42-62052-00	Gasket, Motor, (GEN V)	1
6	22-62141-00	Terminal Block, 7 Position, (30 Amp)	1



1.2.3 EVAPORATOR, EM-2, GEN V, (Common Parts) Continued: OPTION 1			
Item	Part Number	Description	Qty
7	22-62169-00	Resistor, Fan Speed, 220 Watt, .820 OHM (3 Speed Application ONLY)	1
8	38-00564-51	Blower Wheel, (Length: 21.90 Inches - 556.3 mm)	1
9	34-00482-05	Set Screw, Cup Point, 1/4-28, SS	1
10	08-01068-01	Coil Assembly. EM-2	1
11	AC201-412	Switch, Low Pressure	1
12	14-00397-00	Valve, Thermal Expansion	1
13	42-00032-00	Tape, Insulation, Pressite, 2.00 Inch X 30 Feet Long	1
14	AC801-202	O-Ring, 1/2 Inch	2
15	12-00685-00	Thermostat, Freeze-Up, Non Adjustable	1
16	76-62257-00	Blower Housing & Boot Repair Kit - Includes:	1

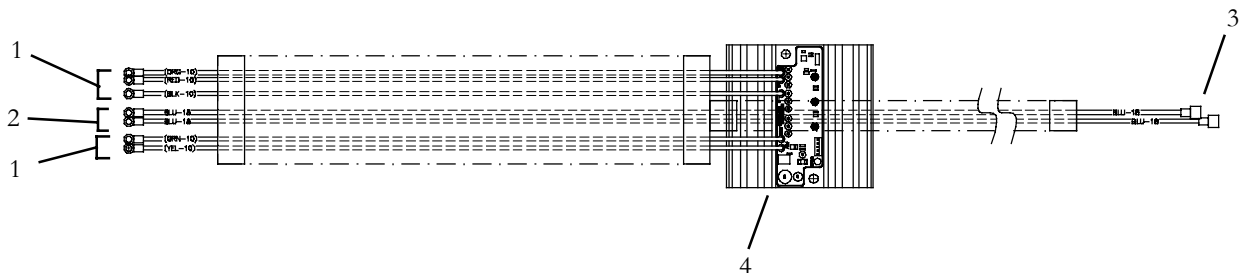
NOTE: Complete Wire Harnesses are Non-Stock Items. Replace Components are Listed.

1.2.4 EM2 GEN-V, Wire Harness 22-62168-00 : OPTION 1



Item	Part Number	Description	Qty
1	22-00119-03	Terminal Ring #10, 12/10 AWG	4
2	22-00121-27	Terminal Ring #10, 22/18 AWG	2
3	22-02245-02	Terminal, Female, Fully Insulated Faston Straight 1/4", 22/18 AWG	2/3
4	31-1247	Terminal, Female, Fully Insulated Faston Straight 1/4", 12/10 AWG	4

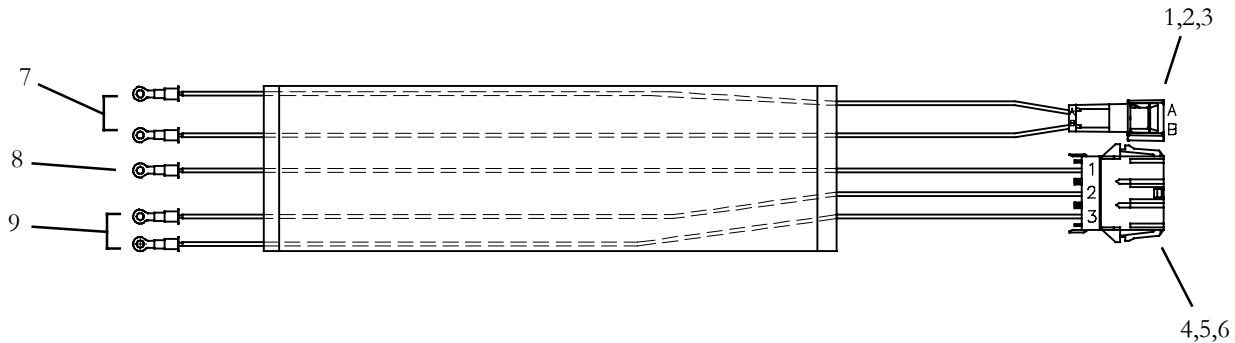
1.2.4 EM2 GEN-V, Wire Harness 22-62099-00 : OPTION 2



Item	Part Number	Description	Qty
1	22-01140-02	Terminal Ring #10, 12/10 AWG	5
2	22-00121-27	Terminal Ring #10, 22/18 AWG	2
3	22-02245-02	Terminal, Female, Fully Insulated Faston Straight 1/4", 22/18 AWG	2/4
4	12-00533-00	Speed Controller w/Harness	1

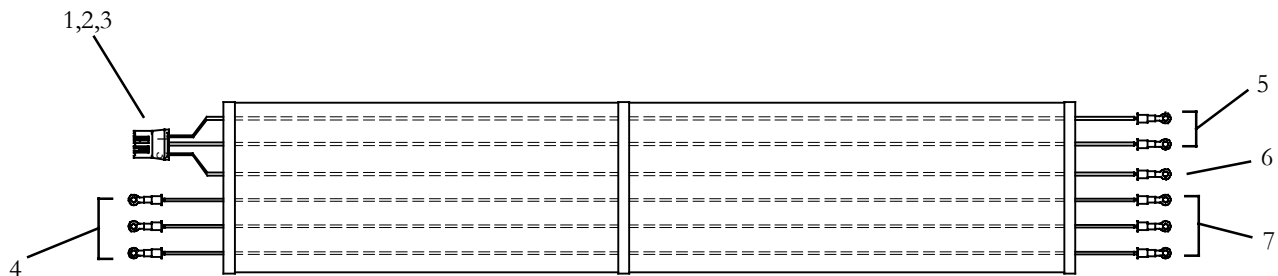
NOTE: Complete Wire Harnesses are Non-Stock Items. Replace Components are Listed.

1.2.4 EM2 GEN-V, Wire Harness 22-62286-00: OPTION 3



Item	Part Number	Description	Qty
1	22-50099-37	Connector, Male, 2 Way, MP 280 Series, Unsealed	1
2	22-50099-37A	Terminal, Male, 16/18 AWG	2
3	22-50099-37D	Lock, Secondary	1
4	22-50099-32	Connector, Plug Housing, 3 Way, Molex	1
5	22-50099-32A	Terminal, Male, Molex 10/12 AWG	2
6	22-50099-32B	Terminal, Male, Molex, 8 AWG	1
7	22-00121-27	Terminal Ring #10, 22/18 AWG	2
8	22-00119-03	Terminal Ring #10, 12/10 AWG	2
9	22-00872-01	Terminal Ring #10, 8 AWG	1

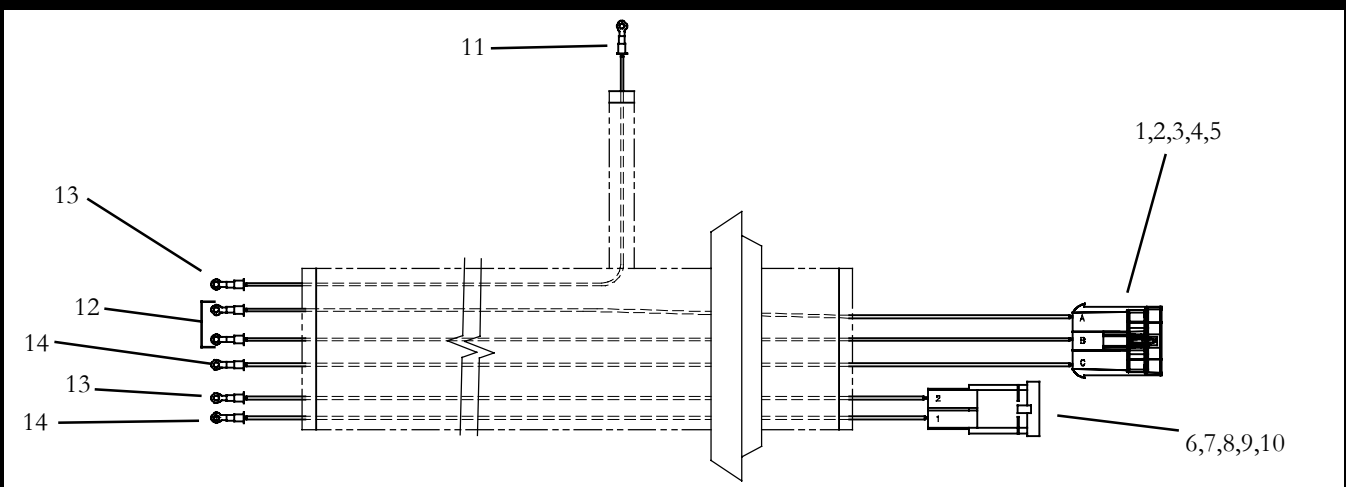
1.2.4 EM2 GEN-V, Wire Harness 22-62261-00: OPTION 4



Item	Part Number	Description	Qty
1	Y31-00007-00	Connector, Female, Molex, 3 Way	1
2	Y31-00007-50	Terminal, Female, Molex, 18-20 AWG	2
3	Y31-00007-51	Terminal, Female, Molex, 14-16 AWG	1
4	22-01140-04	Terminal, Ring $\frac{3}{8}$ ", 12/10 AWG	3
5	22-00121-27	Terminal, Ring, #10 - 18 AWG	2
6	22-01139-02	Terminal, Ring, #10 - 14/16 AWG	1
7	22-01140-02	Terminal, Ring, #10 - 12/10 AWG	3

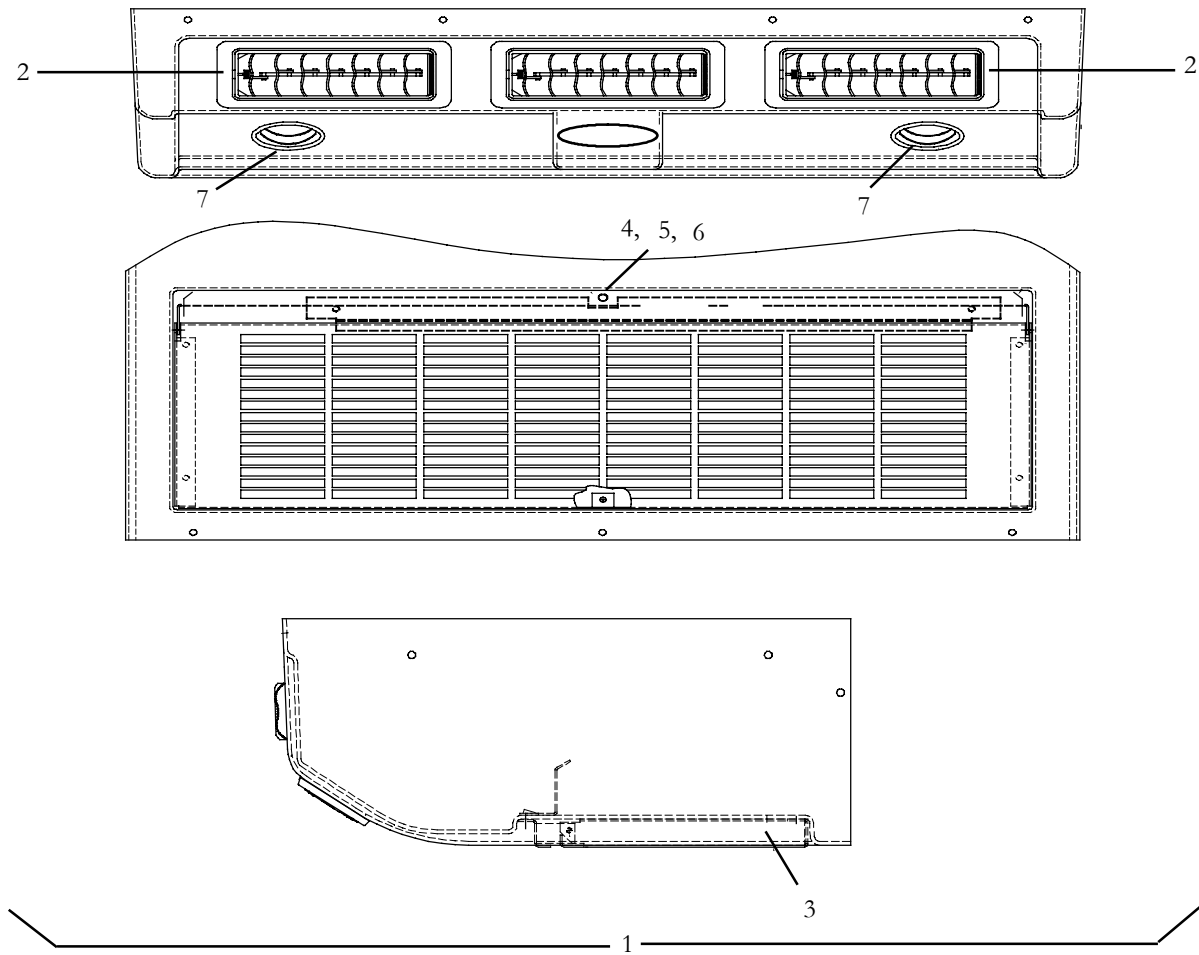
NOTE: Complete Wire Harnesses are Non-Stock Items. Replace Components are Listed.

1.2.4 EM2 GEN-V, Wire Harnesses 22-62247-00 & 22-62204-00: OPTION 5



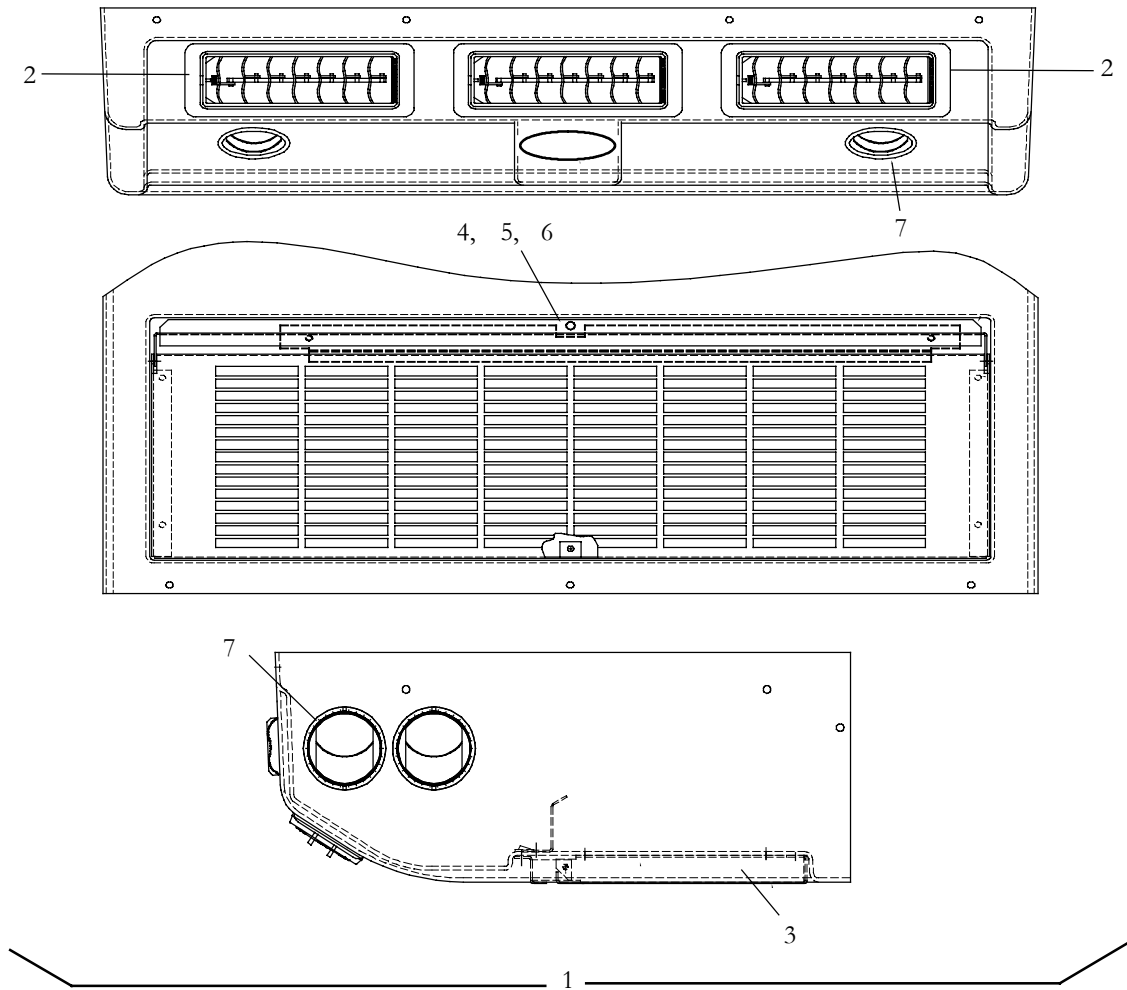
Item	Part Number	Description	Qty
1	22-50078-86	Connector, Male, M/P 630, 3 Way	1
2	22-50078-49A	Terminal, Male, 18 AWG	2
3	22-50078-49C	Terminal, Male, 12 AWG	1
4	22-50078-86B	Cable Seal	3
5	22-50078-86A	Lock, Secondary	1
6	22-50098-67	Connector, Male, Tyco, 2 Way	1
7	22-50098-67B	Terminal, Male, 8 AWG	1
8	22-50098-67A	Terminal, Male, 10/12 AWG	1
9	22-50098-67C	Cable Seal, 10/12 AWG	1
10	22-50098-67D	Cable Seal, 8 AWG	1
11	22-00872-03	Terminal, Ring 5/16", 8 AWG	2
12	22-00121-27	Terminal, Ring, #10 - 18 AWG	2
13	22-00872-01	Terminal, Ring, #10 - 8 AWG	2
14	22-00119-03	Terminal, Ring, #10 - 12/10 AWG	2

1.2.5 COVER ASSEMBLY, EM-2, GEN-V, 3 SPEED, REAR MOUNT : OPTION 1



Item	Part Number	Description	Qty
1	79-62044-01	Cover Assembly, EM-2, Complete, Rear Mount, White - Includes:	1
	79-62044-02	Cover Assembly, EM-2, Complete, Rear Mount, Gray - Includes:	1
2	58-62042-00Louver, Rectangle (8.0 X 3.0 Inches)	3
3	38-00573-02Filter, Air, EM-2, GenV (27.92 X 9 Inches)	1
4	34-62019-00Receptacle, 1/4 Turn	1
5	34-62020-00Stud, 1/4 Turn, .25 Grip Range	1
6	34-06169-01Washer, Retaining, .215 I. D.	1
7	58-62077-00Louver, Adjustable, 3.00 Inch (Round)	2

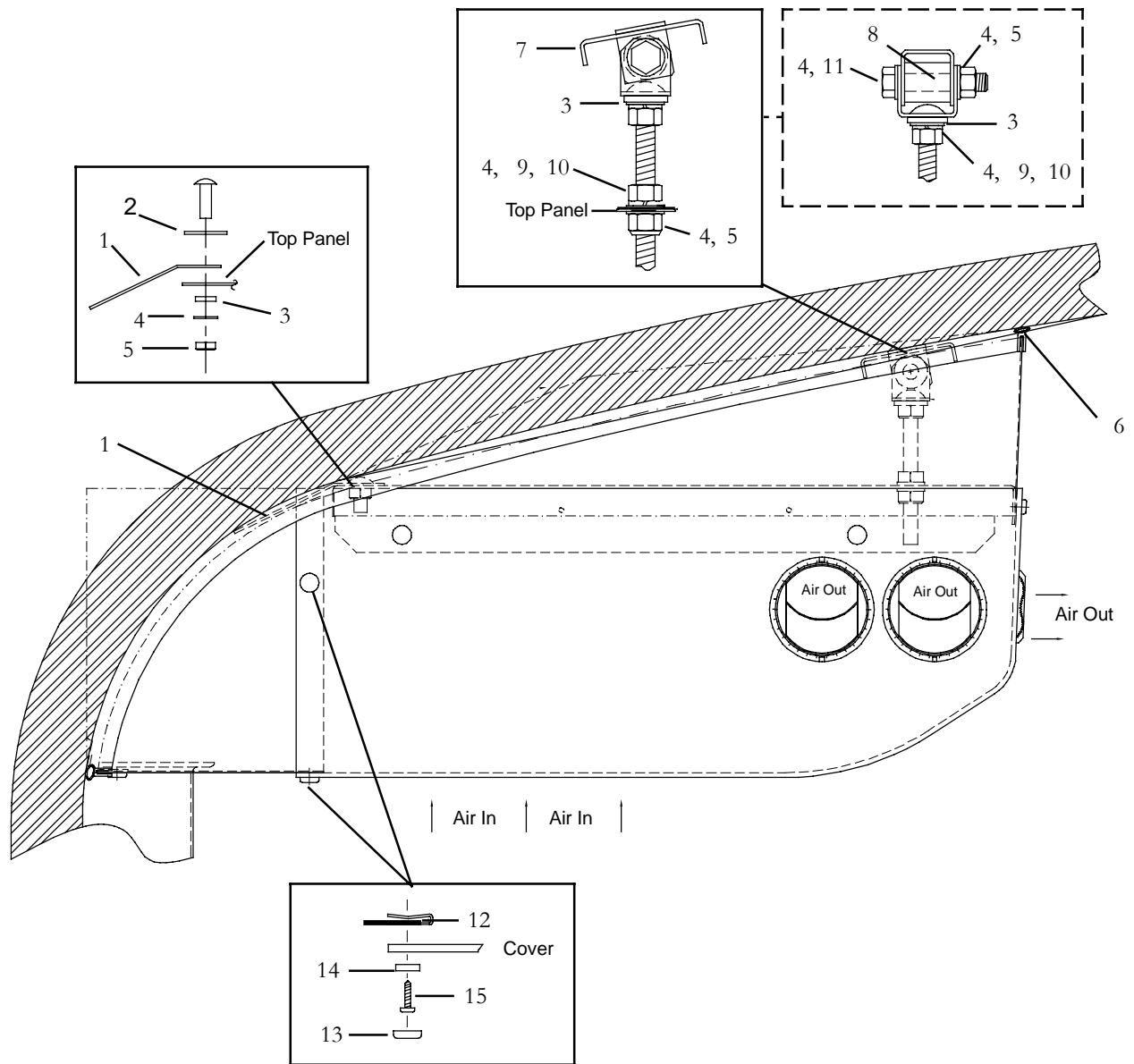
1.2.5 COVER ASSEMBLY, EM-2, GEN-V, 3 SPEED, SIDE MOUNT : OPTION 2



Item	Part Number	Description	Qty
1	79-62045-01	Cover Assembly, EM-2, Complete, Side Mount, White - Includes:	1
	79-62045-02	Cover Assembly, EM-2, Complete, Side Mount, Gray - Includes:	1
2	58-62042-00Louver, Rectangle (8.0 X 3.0 Inches)	3
3	38-00573-02Filter, Air, EM-2, GenV (27.92 X 9 Inches)	1
4	34-62019-00Receptacle, 1/4 Turn	1
5	34-62020-00Stud, 1/4 Turn, .25 Grip Range	1
6	34-06169-01Washer, Retaining, .215 I. D.	1
7	58-62077-00Louver, Adjustable, 3.00 Inch (Round)	6



1.2.6 INSTALLATION COMPONENTS, EM-2, GEN-V, SIDE MOUNT



Item	Part Number	Description	Qty
1	68-63878-00	Rear Hanger, Side Mount	1
2	68-63874-00	Plate, Washer	2
3	AC601-602	Spacer, Steel, 7/8 OD X 1/2 ID X 1/8 Inch Long	2
4	NSI	Washer, Flat, 3/8 Inch, Zinc Plated	8
5	NSI	Nut, Hex, Lock, 3/8-16, Zinc Plated	6
6	AC801-12F25	Gasket, Trimlock, Black (25 Ft. Roll)	1
7	NSI	Bracket, Weld Assembly, Front Hanger	1
8	AC601-616	Spacer, Steel, 7/8 OD X 1/2 ID X 1 Inch Long	2
9	NSI	Washer, Split Lock, 3/8 Inch, Zinc Plated	6
10	NSI	Nut, Hex, 3/8-16, Zinc Plated	4

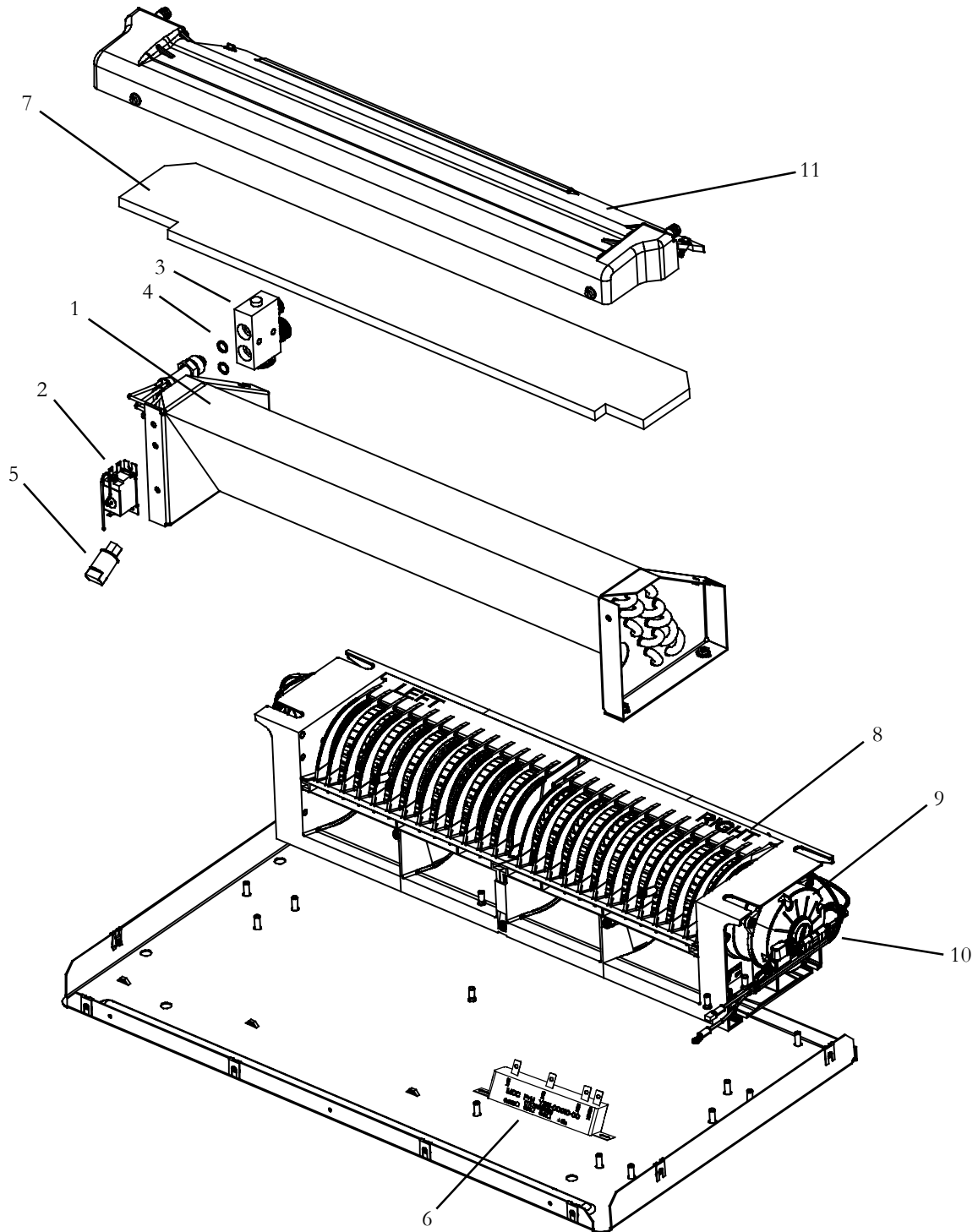


1.2.6 INSTALLATION COMPONENTS, EM-2, GEN-V, SIDE MOUNT - Continued:			
Item	Part Number	Description	Qty
11	AC701-123	Tinnerman Clip, Hi Torque, #10 AB	8
12	AC801-531	Cap, Snap, White	8
	AC801-532	Cap, Snap, Gray	8
13	AC801-529	Washer, Snap Cap	8
14	NSI	Screw, Pan Head Phillips, #10 X 5/8 Inch, AB, Black	8

OPTION TABLE - EM2 - GEN VI

MODEL EM2 Y73-EM201	Cover Kit (See Section 1.2.8)	Chassis Kit (See Section 1.2.7)	Wire Harness (See Section 1.2.9)
-21	1	1	1
-22	1	1	1
-23	2	1	1
-31	1	1	1
-32	1	1	1
-41	1	1	1
-42	1	1	1
-44	1	1	1
-45	1	1	1
-47	1	1	1
-51	2	1	1
-52	2	1	1
-61	2	1	1
-62	2	1	1
-80	1	1	2
-81	1	1	2
-82	1	1	2
-83	1	1	2
-85	1	1	1
-91	2	1	3
-95	1	1	1
-96	1	1	1

1.2.7 EM-2, GEN-VI, 3 SPEED CHASSIS KITS Y73-EM201-00 thru -02 (COMMON PARTS): OPTION 1



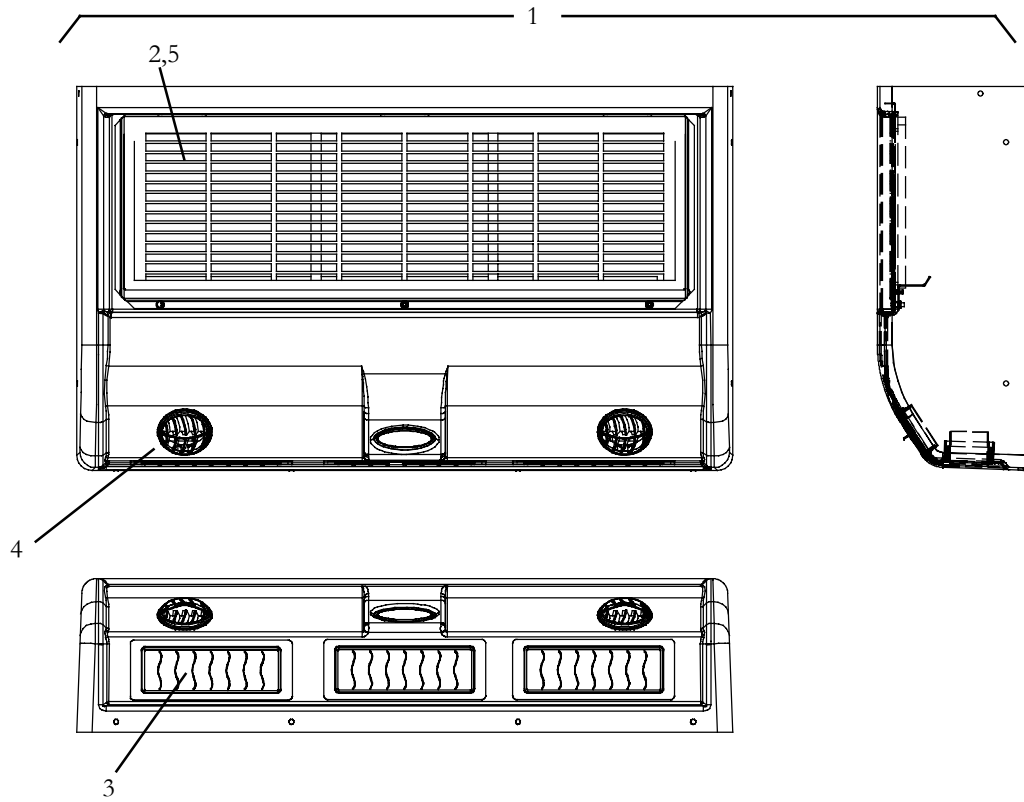
NOTE: See Option Table and Section 1.2.10 For Y73-EM201-00 thru -02 Wire Harnesses



1.2.7 EM-2, GEN-VI, 3 SPEED CHASSIS KITS Y73-EM201-00 thru -02 (COMMON PARTS) : OPTION 1- Cont:			
Item	Part Number	Description	Qty
1	08-01068-01	Coil Assembly, Evaporator	1
2	12-00685-00	Thermostat	1
3	14-00397-00	Expansion Valve	1
4	AC801-202	O-Rings, 1/2" HN BR	2
5	AC201-412	Pressure Switch, Low	1
6	Y35-00010-00	Resistor, 12 VDC, With Screw Terminals	1
7	42-62140-01	Baffle, Evaporator	1
8	54-00646-01	Blower Assembly, 12VDC, Includes:	1
9	54-00646-50	Blower Motor, 12VDC	2
10	54-00646-61	Harness, Blower Motor, 12VDC	2
11	58-62186-01	Drain Pan	1

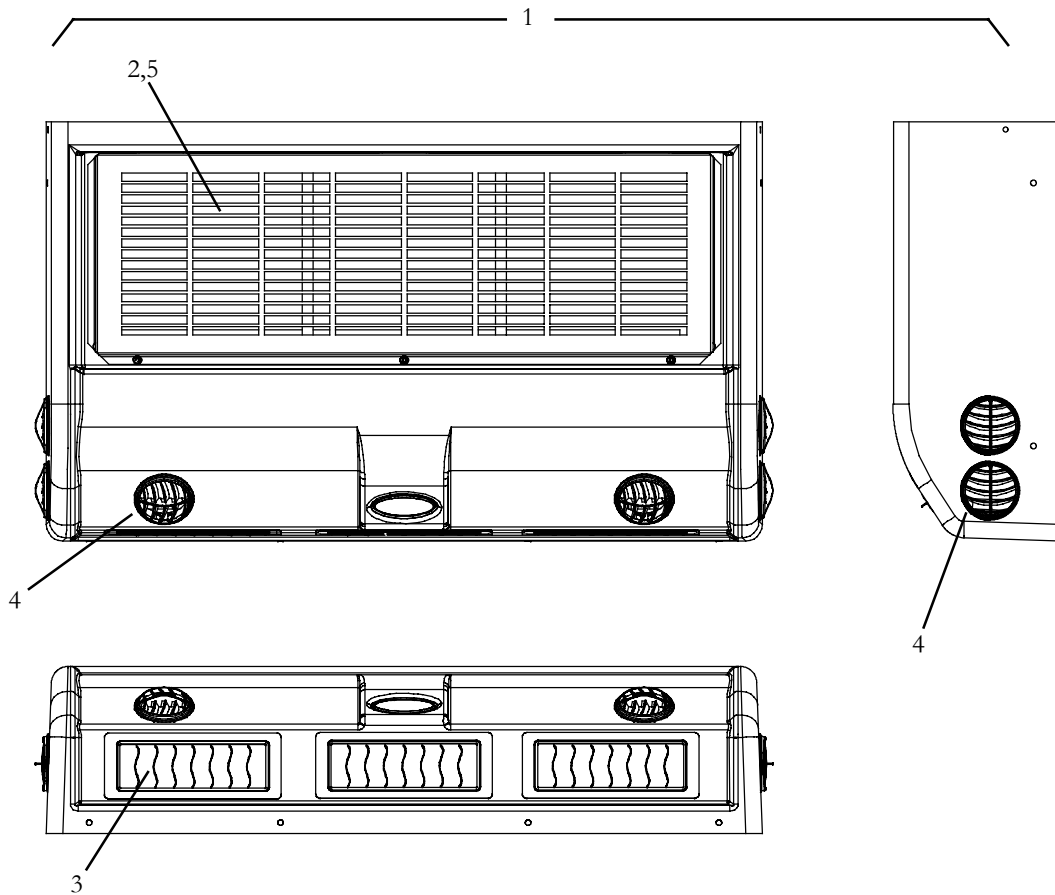


1.2.8 EM-2, GEN-VI, COVER ASSEMBLY, REAR MOUNT : OPTION 1
(Used on MODELS Y19-EM101-21,-22,-31,-32,-41,-42,-44,-45,-47,-80,-81,-82,-83,-85,-95 & -96)



Item	Part Number	Description	Qty
1	Y28-00026-00	Cover Assembly, Gray, (used on -22,-32,-42,-44,-47,-83 & -96))	1
	Y28-00026-01	Cover Assembly, White, (used on -21,-31,-41,-45 & -81))	1
2	38-00573-02	Filter, Air	1
3	58-62042-00	Diffuser, Air, Adjustable Rectangular	3
4	Y23-00002-00	Louver, 2.5" Fixed Vane	2
5	Y24-00109-00	Grille, Return Air	1

1.2.9 EM-2, GEN-VI, COVER ASSEMBLY, SIDE MOUNT: OPTION 2
 (Used on MODELS Y19-EM201-23,-51,-52,-61,-62, & -91)

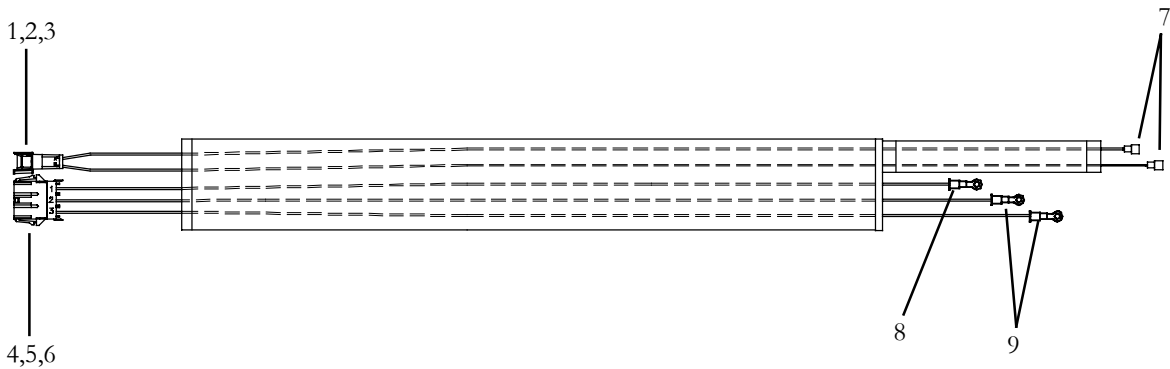


Item	Part Number	Description	Qty
1	Y28-00026-02	Cover Assembly, Gray, (used on -23,-62,-64 & -91))	1
	Y28-00026-03	Cover Assembly, White, (used on -61)	1
2	38-00573-02	Filter, Air	1
3	58-62042-00	Diffuser, Air, Adjustable Rectangular	3
4	Y23-00002-00	Louver, 2.5" Fixed Vane	6
5	Y24-00109-00	Grille, Return Air	1



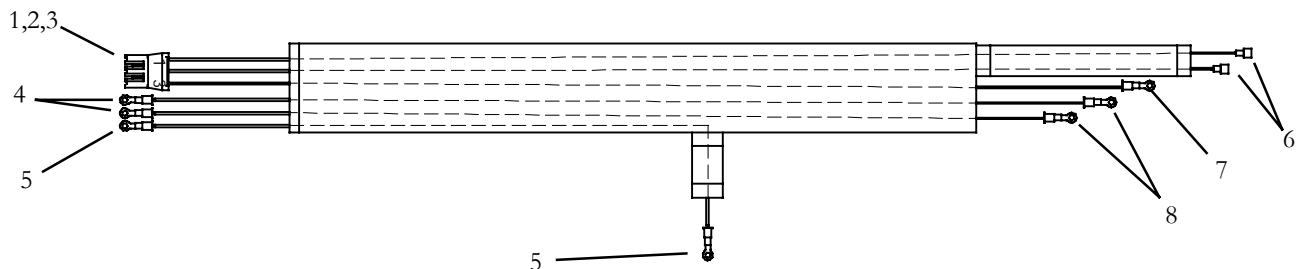
NOTE: Complete Wire Harnesses are Non-Stock Items. Replace Components are Listed.

1.2.10 EM2 GEN-VI, Wire Harness 22-62303-00: OPTION 1



Item	Part Number	Description	Qty
1	22-50099-37	Connector, Male, MP 280 Series, Unsealed	1
2	22-50099-37A	Terminal, Male, 16/18 AWG	2
3	22-50099-37D	Lock, Secondary	1
4	22-50099-32	Connector, Plug Housing, 3 Way, Molex	1
5	22-50099-32A	Terminal, Male, Molex 10/12 AWG	2
6	22-50099-32B	Terminal, Male, Molex, 8 AWG	1
7	22-02245-02	Terminal, Female, Fully Insulated, 22/18 AWG	2
8	22-02245-01	Terminal, Ring, #10 - 8 AWG	1
9	22-01140-02	Terminal, Ring, #10 - 12/10 AWG	2

1.2.10 EM2 GEN-VI, Wire Harness 22-62303-01: OPTION 2

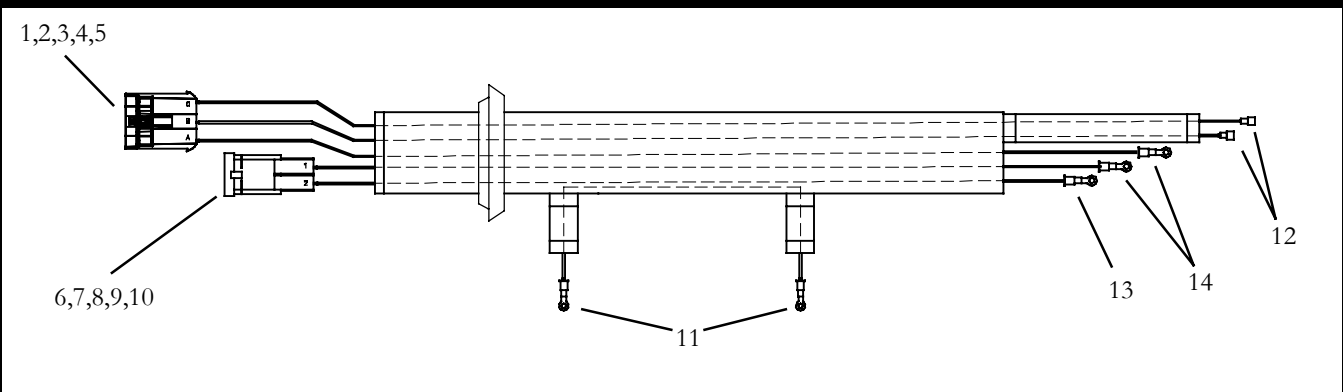


Item	Part Number	Description	Qty
1	Y31-00007-00	Connector, Female, Molex, 3 Way	1
2	Y31-00007-50	Terminal, Female, Molex, 18-20 AWG	2
3	Y31-00007-51	Terminal, Female, Molex, 14-16 AWG	1
4	22-01140-04	Terminal, Ring 3/8", 12/10 AWG	2
5	22-00872-03	Terminal, Ring 5/16", 8 AWG	2
6	22-02245-02	Terminal, Female, Fully Insulated, 22/18 AWG	2
7	22-01139-02	Terminal, Ring, #10 - 14/16 AWG	1
8	22-01140-02	Terminal, Ring, #10 - 12/10 AWG	2



NOTE: Complete Wire Harnesses are Non-Stock Items. Replace Components are Listed.

1.2.10 EM2 GEN-VI, Wire Harness 22-62303-02: OPTION 3



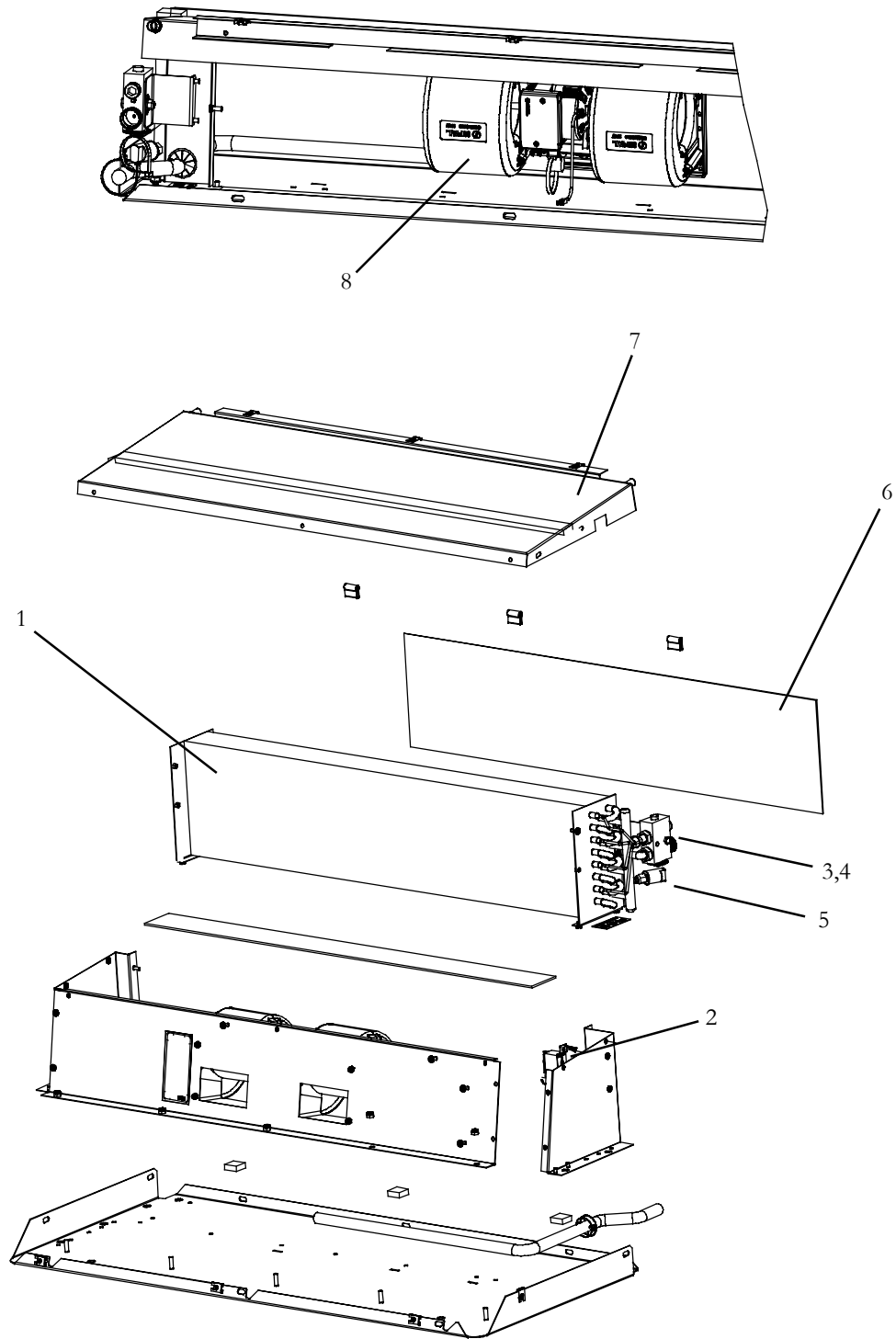
Item	Part Number	Description	Qty
1	22-50078-86	Connector, Male, M/P 630, 3 Way	1
2	22-50078-49A	Terminal, Male, 18 AWG	2
3	22-50078-49C	Terminal, Male, 12 AWG	1
4	22-50078-86B	Cable Seal	3
5	22-50078-86A	Lock, Secondary	1
6	22-50098-67	Connector, Male, Tyco, 2 Way	1
7	22-50098-67B	Terminal, Male, 8 AWG	1
8	22-50098-67A	Terminal, Male, 10/12 AWG	1
9	22-50098-67C	Cable Seal, 10/12 AWG	1
10	22-50098-67D	Cable Seal, 8 AWG	1
11	22-00872-03	Terminal, Ring 5/16", 8 AWG	2
12	22-02245-02	Terminal, Female, Fully Insulated, 22/18 AWG	1
13	22-00872-01	Terminal, Ring, #10 - 8 AWG	1
14	22-01140-02	Terminal, Ring, #10 - 12/10 AWG	2

OPTION TABLE - EM2 - CLASSIC LINE

MODEL EM2 Y19-EM207	Cover Kit (See Section 1.2.12)	Chassis Kit (See Section 1.2.11)	Wire Harness (See Section 1.2.13)
-00	-	1	1
-01	-	2	1
-21	2	1	1
-22	1	1	1
-23	2	2	1
-24	1	2	1
-30	2	1	1
-31	1	1	1
-32	2	2	1
-33	1	2	1



1.2.11 EM-2, CLASSIC LINE, 12VDC, 3 SPEED CHASSIS KITS Y73-EM203-00 & -01, OPTION 1 & 2

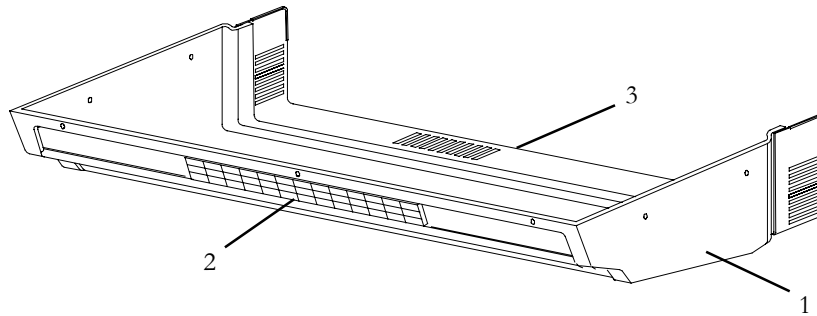




1.2.11 EM-2, CLASSIC LINE, 12VDC, 3 SPEED CHASSIS KITS Y73-EM207-00 & -01, OPTION 1 & 2, Cont.			
Item	Part Number	Description	Qty
1	08-01068-01	Coil Assembly, Evaporator	1
	08-01068-01	Coil Assembly, Evaporator	1
2	12-00685-00	Thermostat	1
3	14-00397-00	Expansion Valve	1
4	AC801-202	O-Rings, 1/2" HN BR	2
5	AC201-412	Pressure Switch, Low	1
6	AC801-405	Filter, Air	1
7	79-02383-00	Drain Pan Assembly	1
8	Y15-00003-00	Blower Assembly, 12VDC, w/Resistor	2



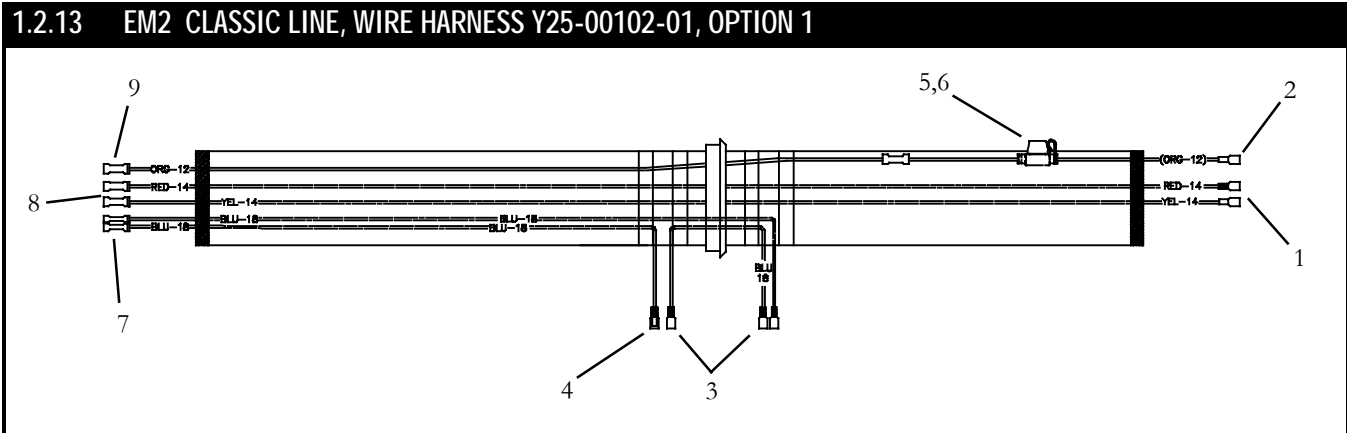
1.2.12 EM-2, CLASSIC LINE, COVER ASSEMBLY, REAR MOUNT : OPTION 1 & 2



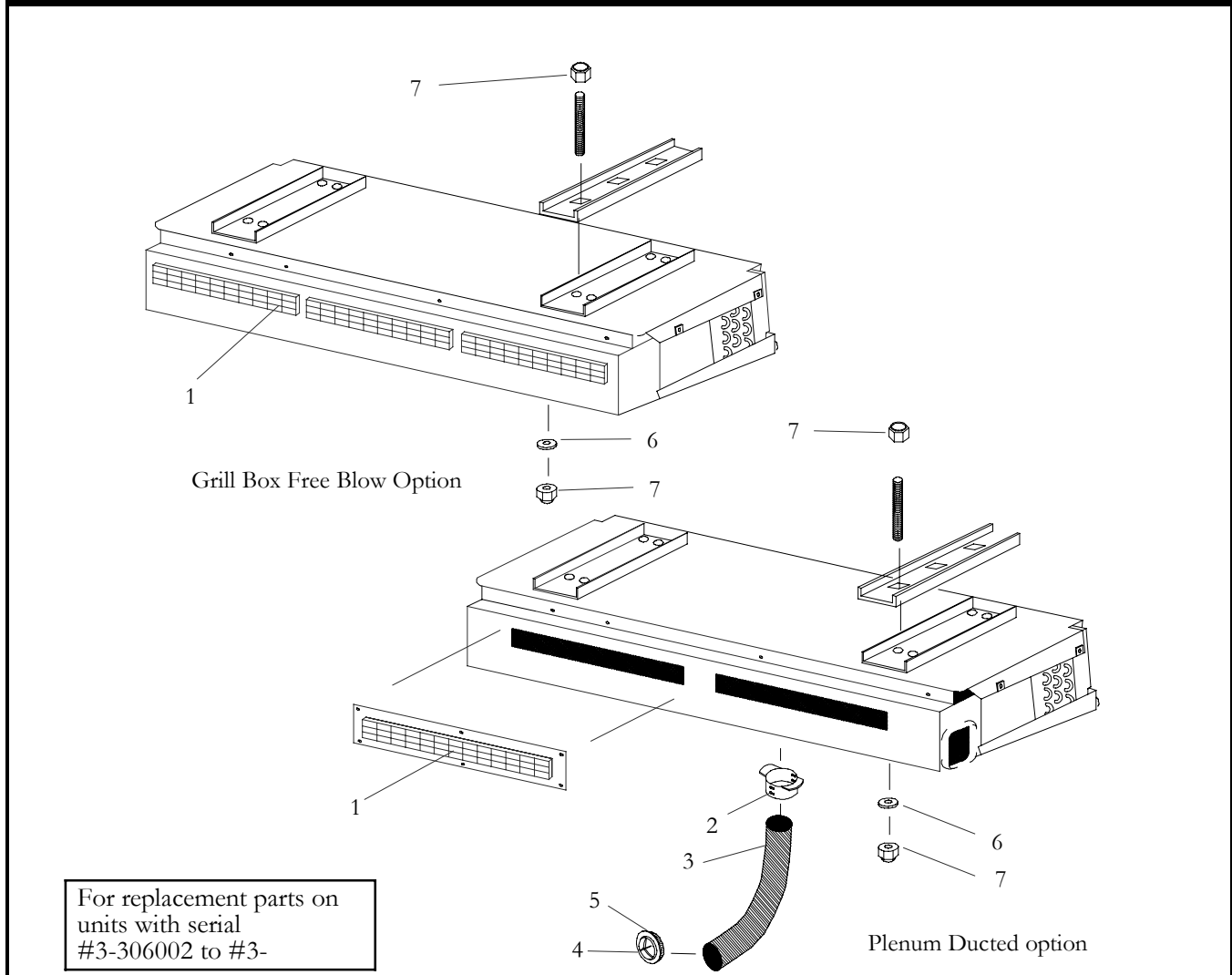
Item	Part Number	Description	Qty
1	79-62072-01	Cover Assembly, Gray, Includes: OPTION 1	1
	79-62072-00	Cover Assembly, White, Includes: OPTION 2	1
2	AC401-320	Diffuser, Air, Adjustable Rectangular	1
3	AC022-251	Grille, Return Air	1

NOTE

Complete Wire Harnesses are Non-Stock Items. Replacement Components are Listed.



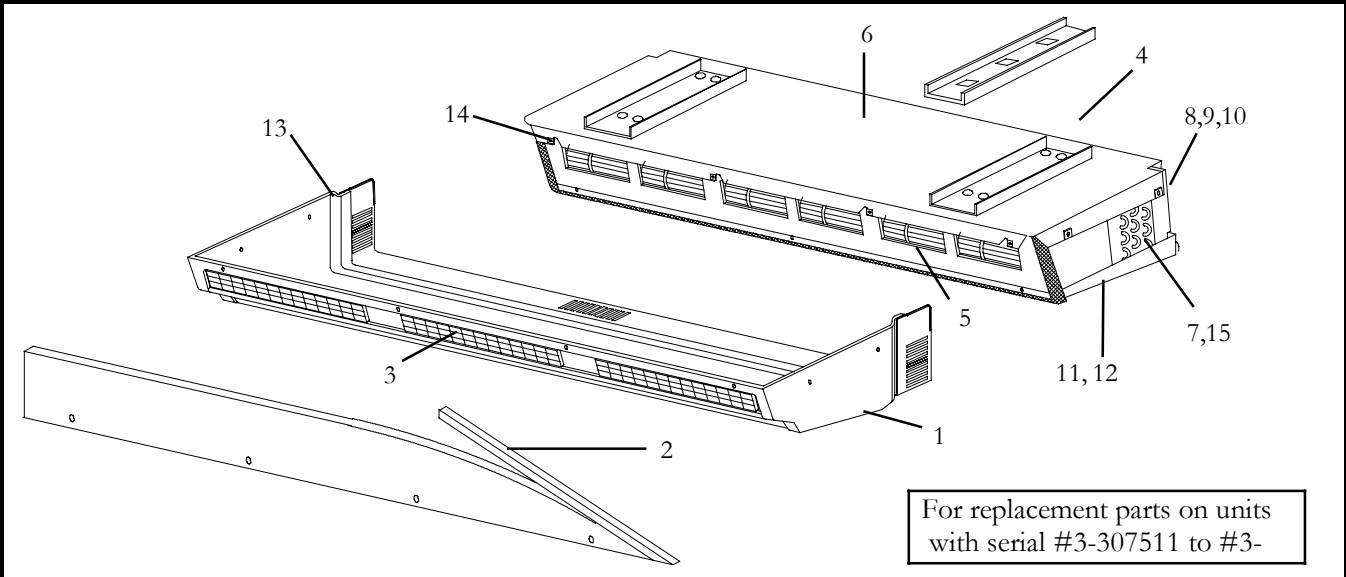
Item	Part Number	Description	Qty
1	22-01141-01	Terminal, Female, 1/4" Pushon, Insulated 16-14 AWG	2
2	22-01142-XX	Terminal, Female, 1/4" Pushon, Insulated 10-12 AWG	1
3	22-02245-02	Terminal, Female, 1/4" Pushon, Insulated 22-18 AWG	3
4	22-01502-00	Terminal, Male, 1/4" Pushon, Insulated 22-18 AWG	1
5	22-02338-07	Fuseholder, w/Cap	1
6	22-02336-26	Fuse, Mini, 25A	1
7	REF	Terminal, Butt Splice, Heat Sealable, 22-18 AWG (Molex Part # 19164-0013)	2
8	REF	Terminal, Butt Stepdown, Heat Sealable, 16-14/12-10 AWG (Molex Part # 19164-0077)	2
9	REF	Terminal, Butt Stepdown, Heat Sealable, 12-10/8 AWG (Waytec Part # 38253)	1
N.S.	Y30-13000-00	Nyogel	1

SECTION 1.3 EM-3 EVAPORATORS
1.3.1 EVAPORATOR, EM-3, GEN 4, DUCTED, WITH PLENUM OR GRILL BOX


Item	Part Number	Description	Qty
1	AC401-320	Louver, (14-3/8 X 3-3/8 Inches)	A/R
2	AC401-307	Adapter, Hose, (2-1/2 Inch)	2
3	AC301-205	Hose, Duct, 2-1/2 Inch Diameter X Foot	3
4	58-01386-00	Ball, Louver, 2-1/2 Inch Diameter With Hose Back	2
5	AC401-306	Ring, Mounting, For Louver Ball	2
6	NSI	Washer, Flat, 3/8 Inch, Zinc Plated	12
7	NSI	Nut, Hex, Lock, (Esna), 3/8-16, Zinc Plated	12



1.3.2 EVAPORATOR, EM-3, GEN 4, FREE BLOW



For replacement parts on units with serial #3-307511 to #3-

Item	Part Number	Description	Qty
1	79-62073-00	Assembly, Cover, White	1
	79-62073-01	Assembly, Cover, Gray	1
2	AC801-412F25	Flexible Trim, Black (25 Ft. Roll)	1
3	AC401-320	Assembly, Louver, Air Outlet, (14-3/8 X 7-1/4 Inch)	2
4	38-00573-07	Filter, Return Air, (26.25 X 8 X 1/4 Inch)	2
5	AC401-232	Assembly, Blower, Dual, 12 VDC	3
	AC401-233	Assembly, Blower, Dual, 24 VDC	3
6	76-62019-00	Resistor Kit, (1.8 Ohm, 4 Prong)	3
7	08-62067-00	Assembly, Coil, R134a, With Heat, With Low Pressure Switch Connection	1
	08-62068-00	Assembly, Coil, R134a, With Low Pressure Switch Connection	1
8	14-00397-00	Valve, Thermal Expansion, R134a	2
9	AC801-202	O-Ring, 1/2 Inch	4
10	AC201-501	Thermostat, Freeze-Up, Coil Insert	1
11	N/A	Assembly, Drain Pan, (Foamed)	1
12	AC022-314	Baffle, Foam, EM_3 Drain Pan	1
13	AC801-414	Gasket, Foam, 3/8 X 1 Inch X 25 Foot Roll	1
14	AC701-123	Clip, Tinnerman, High-Torque, (#10AB)	14
15	AC201-412	Switch, Low Pressure	1

**OPTION TABLE - EM3 - GEN V,
12 VDC - 3 Speed**

MODEL EM3 Gen V 77-62532	Cover Kit (see Section 1.3.5)	Chassis Kit (see Section 1.3.3)	Wire Harness (see Section 1.3.4)
-00	-	1	1
-01	-	1	1 & 2
-05	-	1	1 & 4
-06	-	1	1 & 5
-21	1	1	1 & 2
-22	2	1	1 & 2
-24	2	1	1 & 2
-31	1	1	1
-32	2	1	1
-41	1	1	1 & 2
-42	2	1	1 & 2
-44	2	1	1 & 2
-45	1	1	1 & 2
-47	2	1	1 & 2
-48	-	1	1 & 3

**OPTION TABLE - EM3 - GEN V
12 VDC - Variable Speed**

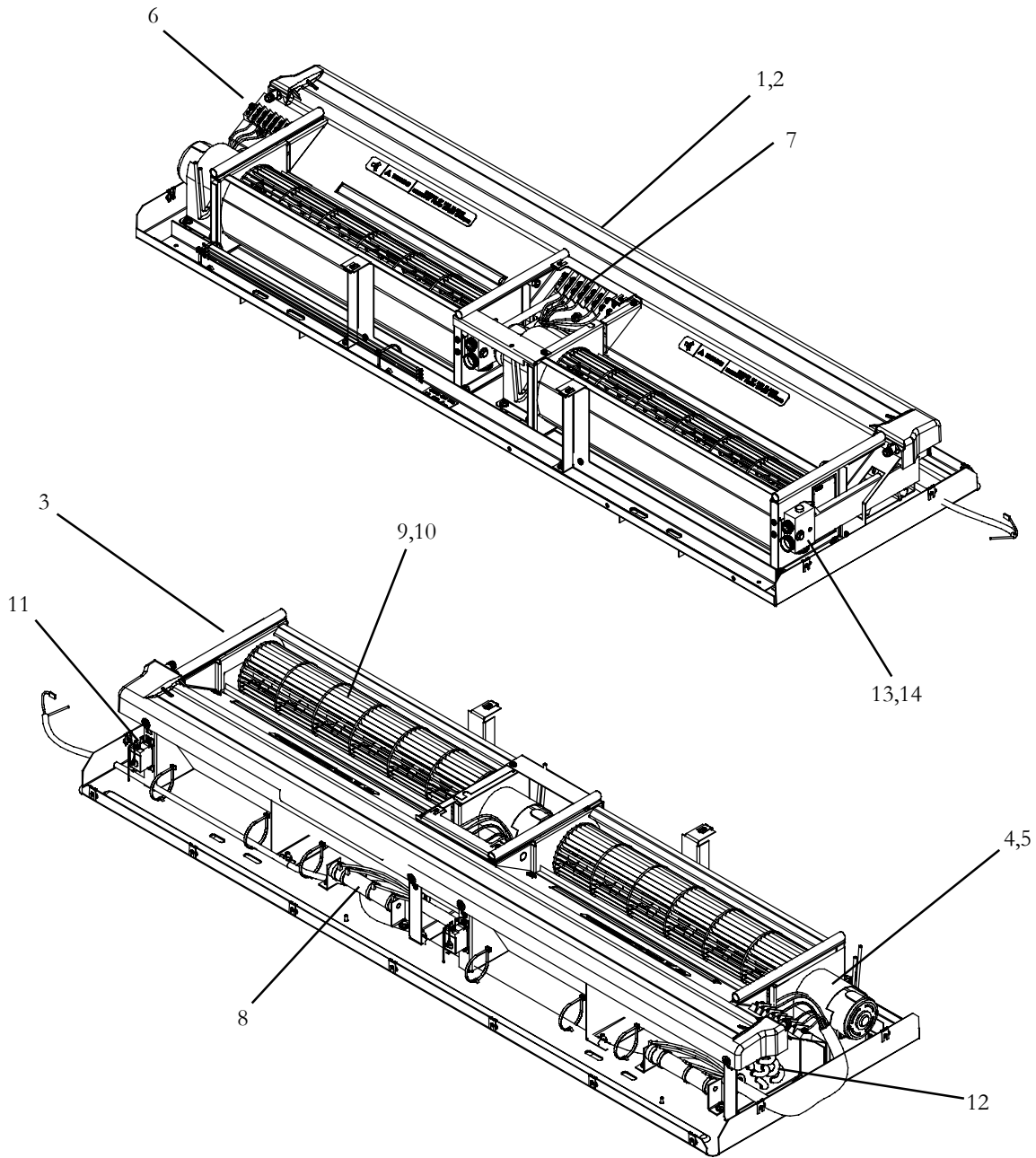
MODEL EM3 Gen V 77-62312	Cover Kit (see Section 1.3.5)	Chassis Kit (see Section 1.3.3)	Wire Harness (see Section 1.3.4)
-00	-	1	6
-21	1	1	2 & 6
-22	2	1	2 & 6
-31	1	1	2 & 6
-32	2	1	2 & 6
-41	1	1	2 & 6
-42	2	1	2 & 6
-44	2	1	2 & 6
-45	1	1	2 & 6

**OPTION TABLE - EM3 - GEN V
24 VDC - Variable Speed**

MODEL EM3 Gen V 77-62324	Cover Kit (see Section 1.3.5)	Chassis Kit (see Section 1.3.3)	Wire Harness (see Section 1.3.4)
-00	-	1	6
-21	1	1	6
-22	2	1	6
-31	1	1	6
-32	2	1	6
-41	1	1	6
-42	2	1	6
-44	2	1	2 & 6
-45	1	1	2 & 6



1.3.3 EM-3, 3 SPEED CHASSIS KITS (Common Parts) OPTION 1



Item	Part Number	Description	Qty
1	79-62107-00	Drain Pan Assembly, EM-3, Gen-V - Includes:	1
2	42-62140-01Baffle, Drain Pan, Foam	1
3	58-62064-00F25	Trim Seal, 1/8 Inch Grip (25 Feet Roll)	A/R
4	Y45-00005-51	Motor, Evaporator, 12 VDC	2
	22-62328-01Fuse, 30A, 12VDC	2
	Y45-00005-54	Motor, Evaporator, 24VDC	2
	22-62328-03Fuse, 20A, 24VDC	2



1.3.3 EM-3, 3 SPEED CHASSIS KITS (Common Parts) OPTION 1: Continued			
Item	Part Number	Description	Qty
5	42-62052-00	Gasket, Motor, (Gen-V)	2
6	22-62141-01	Terminal Block, 7 Position, Without Screws	1
7	22-62100-01	Terminal Block, 7 Position, With Screws	1
8	22-62169-00	Resistor, 220 W, .820 Ohm (3 Speed Application ONLY)	2
9	38-00564-53	Blower Wheel (Length - 21.90 Inches - 556.3 mm) Includes:	1
10	34-00482-05Set Screw, Cup Point, 1/4-28, SS	1
N.S.	76-62257-00	Blower Housing & Boot Repair Kit	1
11	12-00685-00	Thermostat, Freeze-Up, Non-Adjustable	2
12	08-01069-00	Coil, Evaporator	1
13	14-00397-00	Valve, Thermal Expansion, Block, R134a	1
14	AC801-202	O-Ring, 1/2 Inch	2
N.S.	AC201-412	Switch, Pressure, Low	1
N.S.	42-00032-00	Tape, Insulation, Prestite, 2 Inch X 30 Feet Long	1

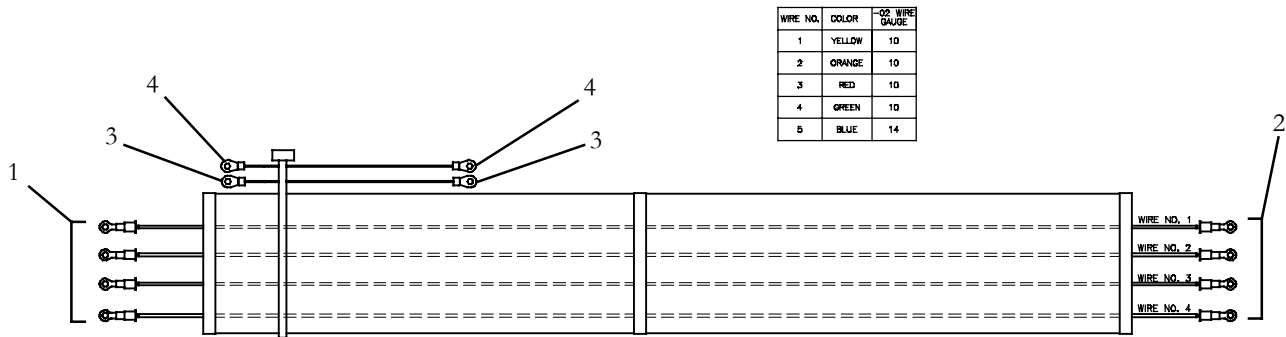
NOTE: Complete Wire Harnesses are Non-Stock Items. Replace Components are Listed.

1.3.4 EM3 GEN-V, Wire Harness 22-62168-00 : OPTION 1



Item	Part Number	Description	Qty
1	22-00119-03	Terminal Ring #10, 12/10 AWG	4
2	22-00121-27	Terminal Ring #10, 22/18 AWG	2
3	22-02245-02	Terminal, Female, Fully Insulated Faston Straight 1/4", 22/18 AWG	2/3
4	31-1247	Terminal, Female, Fully Insulated Faston Straight 1/4", 12/10 AWG	4

1.3.4 EM3 GEN-V, Wire Harness 22-62164-00 : OPTION 2

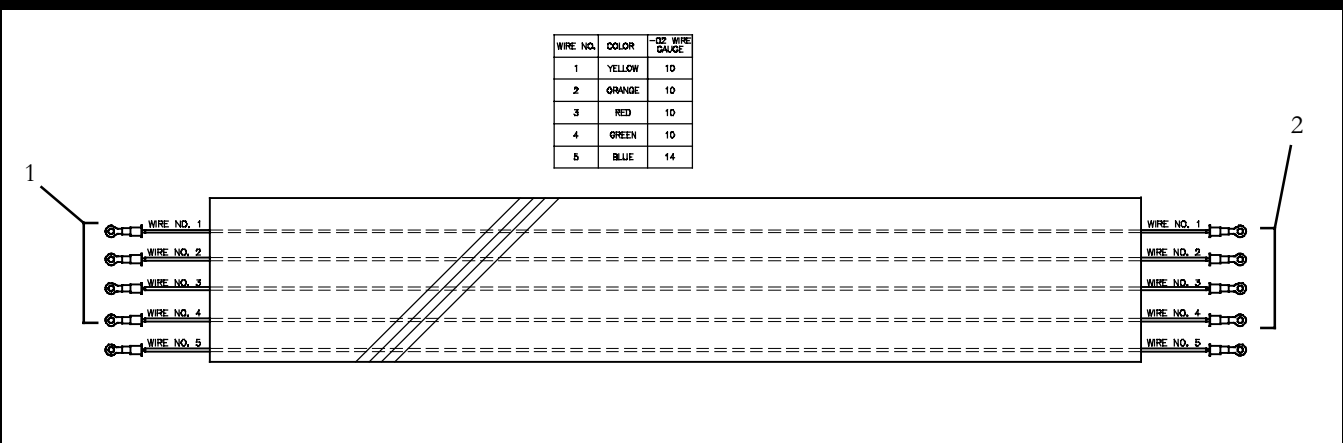


Item	Part Number	Description	Qty
1	22-01140-05	Ring Terminal, #8 - 10 AWG	4
2	22-01140-02	Ring Terminal, #10 - 10 AWG	4
3	22-00121-25	Ring Terminal, #8 - 18 AWG	2
4	22-00121-27	Ring Terminal, #10 - 18 AWG	2



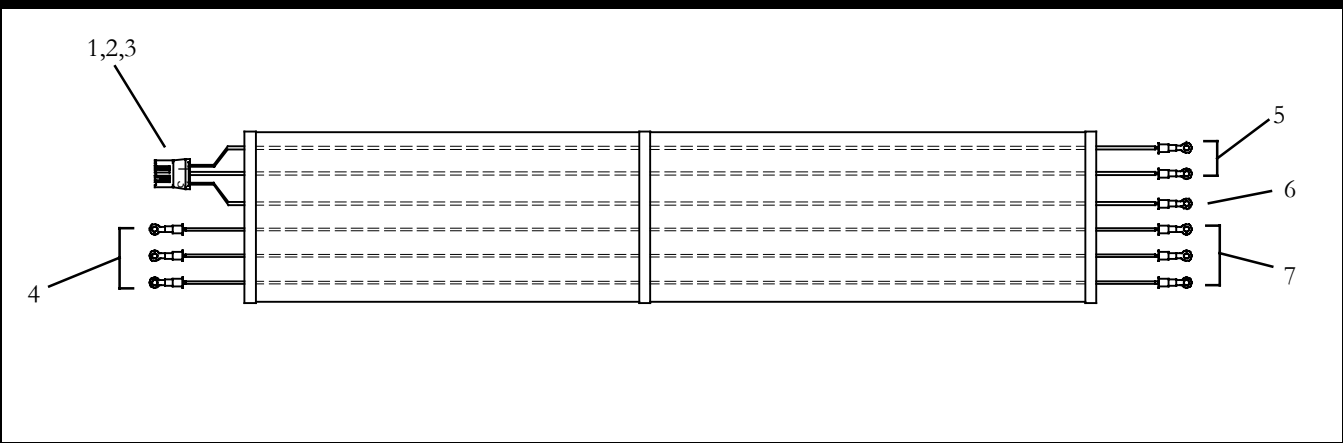
NOTE: Complete Wire Harnesses are Non-Stock Items. Replace Components are Listed.

1.3.4 EM3 GEN-V, Wire Harness 22-62164-02 : OPTION 3



Item	Part Number	Description	Qty
1	22-01140-05	Ring Terminal, #8 - 10 AWG	4
2	22-01140-02	Ring Terminal, #10 - 10 AWG	4
3	22-01139-05	Ring Terminal, #8 - 14/16 AWG	1
4	22-01139-02	Ring Terminal, #10 - 14/16 AWG	1

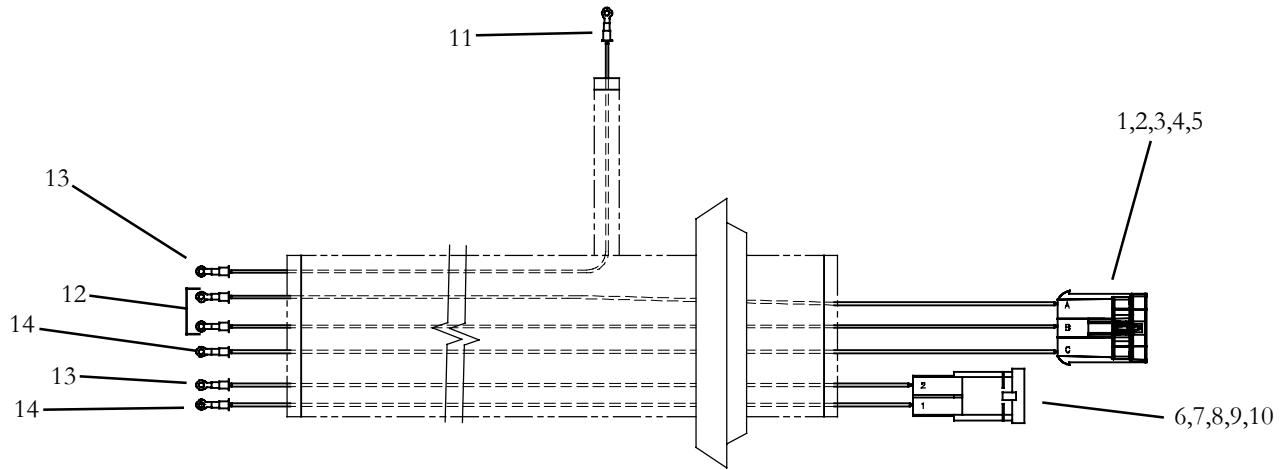
1.3.4 EM2 GEN-V, Wire Harness 22-62261-00: OPTION 4



Item	Part Number	Description	Qty
1	Y31-00007-00	Connector, Female, Molex, 3 Way	1
2	Y31-00007-50	Terminal, Female, Molex, 18-20 AWG	2
3	Y31-00007-51	Terminal, Female, Molex, 14-16 AWG	1
4	22-01140-04	Terminal, Ring 3/8", 12/10 AWG	3
5	22-00121-27	Terminal, Ring, #10 - 18 AWG	2
6	22-01139-02	Terminal, Ring, #10 - 14/16 AWG	1
7	22-01140-02	Terminal, Ring, #10 - 12/10 AWG	3

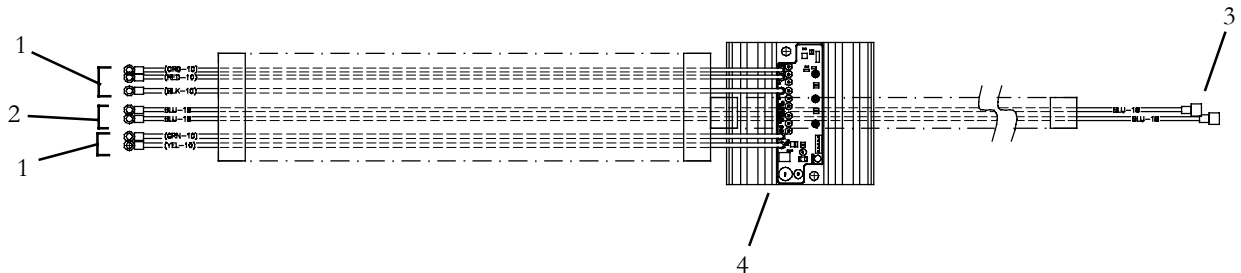
NOTE: Complete Wire Harnesses are Non-Stock Items. Replace Components are Listed.

1.3.4 EM3 GEN-V, Wire Harnesses 22-62204-00: OPTION 5



Item	Part Number	Description	Qty
1	22-50078-86	Connector, Male, M/P 630, 3 Way	1
2	22-50078-49A	Terminal, Male, 18 AWG	2
3	22-50078-49C	Terminal, Male, 12 AWG	1
4	22-50078-86B	Cable Seal	3
5	22-50078-86A	Lock, Secondary	1
6	22-50098-67	Connector, Male, Tyco, 2 Way	1
7	22-50098-67B	Terminal, Male, 8 AWG	1
8	22-50098-67A	Terminal, Male, 10/12 AWG	1
9	22-50098-67C	Cable Seal, 10/12 AWG	1
10	22-50098-67D	Cable Seal, 8 AWG	1
11	22-00872-03	Terminal, Ring 5/16", 8 AWG	2
12	22-00121-27	Terminal, Ring, #10 - 18 AWG	2
13	22-00872-01	Terminal, Ring, #10 - 8 AWG	2
14	22-00119-03	Terminal, Ring, #10 - 12/10 AWG	2

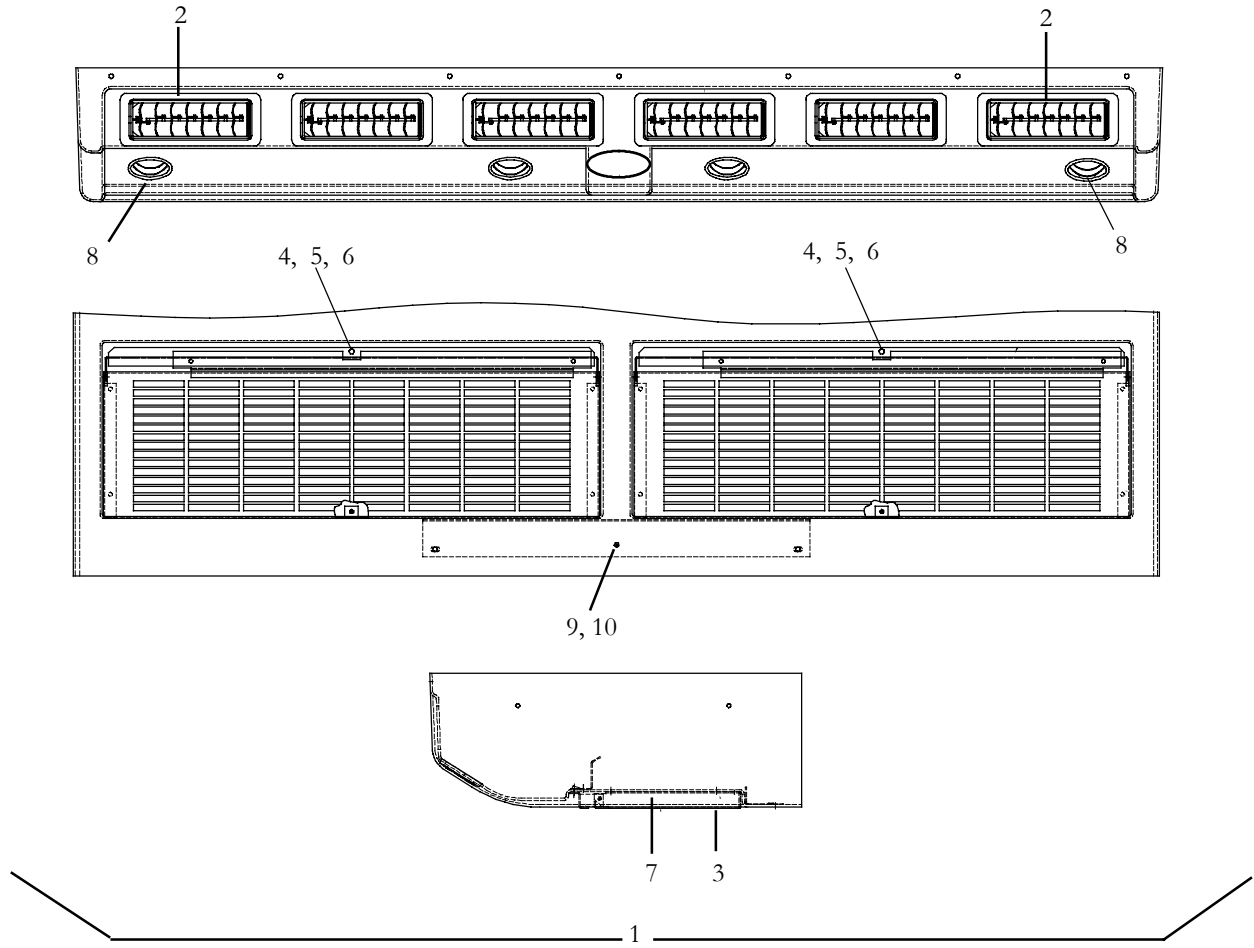
1.3.4 EM3 GEN-V, Wire Harness 22-62099-00 : OPTION 6



Item	Part Number	Description	Qty
1	22-01140-02	Terminal Ring #10, 12/10 AWG	5
2	22-00121-27	Terminal Ring #10, 22/18 AWG	2
3	22-02245-02	Terminal, Female, Fully Insulated Faston Straight 1/4", 22/18 AWG	2/4
4	12-00533-00	Speed Controller w/Harness	1



1.3.5 EM-3, GEN-5, COVER ASSEMBLY

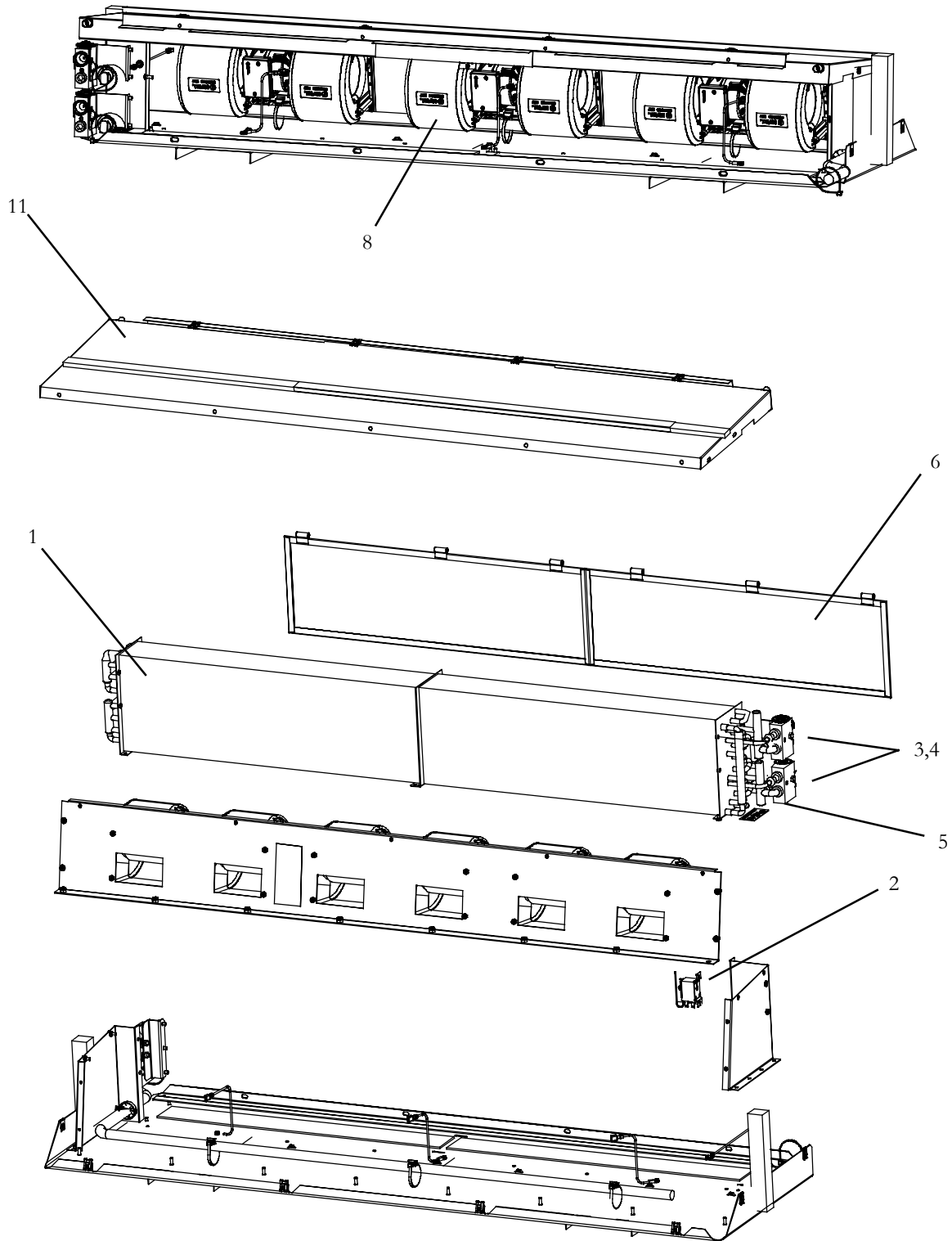


Item	Part Number	Description	Qty
1	79-62065-01SV	Cover Assembly, EM-3, White - Includes:	1
	79-62065-02SV	Cover Assembly, EM-3, Gray - Includes:	1
2	58-62042-00Louver, Rectangular, (8.00 x 3.00 Inches)	6
3	68-63275-03Grill, Evaporator, EM-3, Gen-V, (Painted)	2
4	34-06169-01Washer, Retaining, 0.215 I.D.	2
5	34-62020-00Stud, 1/4 Turn, .25 Grip Range	2
6	34-62019-00Receptacle, 1/4 Turn	2
7	38-00573-04Filter, Air, (26.81 inch X 9.00 inch)	2
8	Y23-00002-00Louver, Adjustable, 3.00 Inches, (Round)	4
10	AC801-529Washer, Snap Cap	1
	AC801-531Snap Cap, White	1
	AC801-532Snap Cap, Gray	1

OPTION TABLE - EM3 - CLASSIC LINE

MODEL EM7 Y19-EM307	Cover Kit (See Section 1.5.5)	Chassis Kit (See Section 1.3.6)	Wire Harness (See Section 1.5.6)
-00	-	1	1
-01	-	2	1
-21	2	1	1
-22	1	1	1
-23	2	2	1
-24	1	2	1
-30	2	1	1
-31	1	1	1
-32	2	2	1
-33	1	2	1
-47	1	1	1
-86	-	1	1

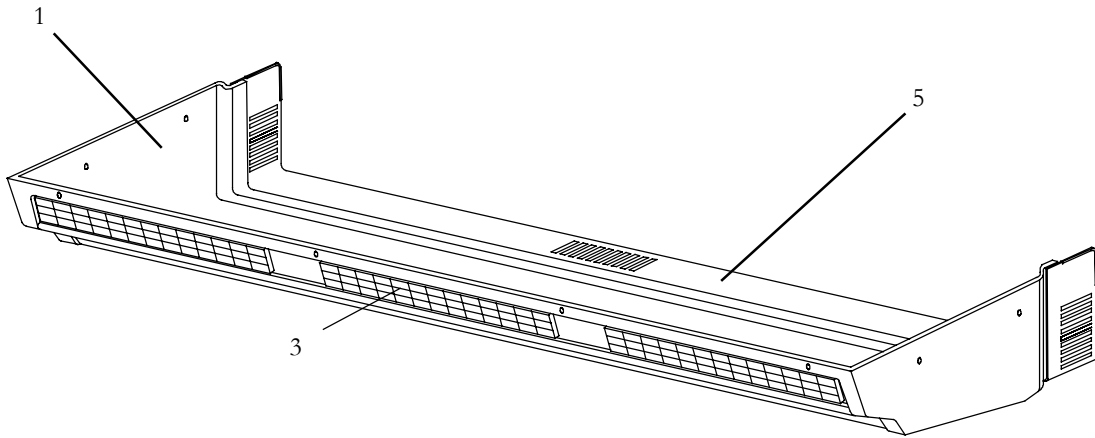
1.3.6 EM-3, CLASSIC LINE, 3 SPEED CHASSIS KITS Y73-EM303-00 & -01, OPTION 1 & 2





1.3.6 EM-3, CLASSIC LINE, 3 SPEED CHASSIS KITS Y73-EM303-00 & -01, OPTION 1 & 2, Cont.			
Item	Part Number	Description	Qty
1	08-62068-00	Coil Assembly, Evaporator, (Cool Only): Option 1	1
	08-62067-00	Coil Assembly, Evaporator, (With Heat): Option 2	1
2	12-00685-00	Thermostat, Freeze-up	1
3	14-00397-00	Thermal Expansion Valve (TXV)	2
4	AC801-202	O-Rings, 1/2" HN BR	4
5	AC201-412	Pressure Switch, Low	2
6	38-00573-07	Filter, Air	2
7	79-62127-00	Drain Pan Assembly	1
8	Y15-00003-00	Blower Assembly, 12VDC, w/Resistor	3

1.3.7 EM-3, CLASSIC LINE, COVER ASSEMBLY, REAR MOUNT : OPTION 1 & 2

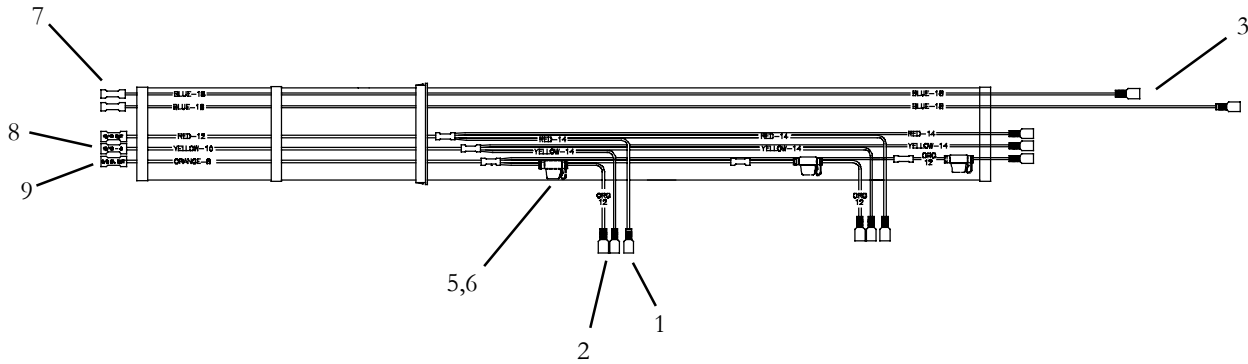


Item	Part Number	Description	Qty
1	79-62073-01	Cover Assembly, Gray, OPTION 1	1
	79-62073-00	Cover Assembly, White, OPTION 2	1
2	AC401-320	Diffuser, Air, Adjustable Rectangular	3
3	AC022-252	Grille, Return Air	1

NOTE

Complete Wire Harnesses are Non-Stock Items. Replacement Components are Listed.

1.3.8 EM3, CLASSIC LINE, Wire Harness Y2500103-01, OPTION 1

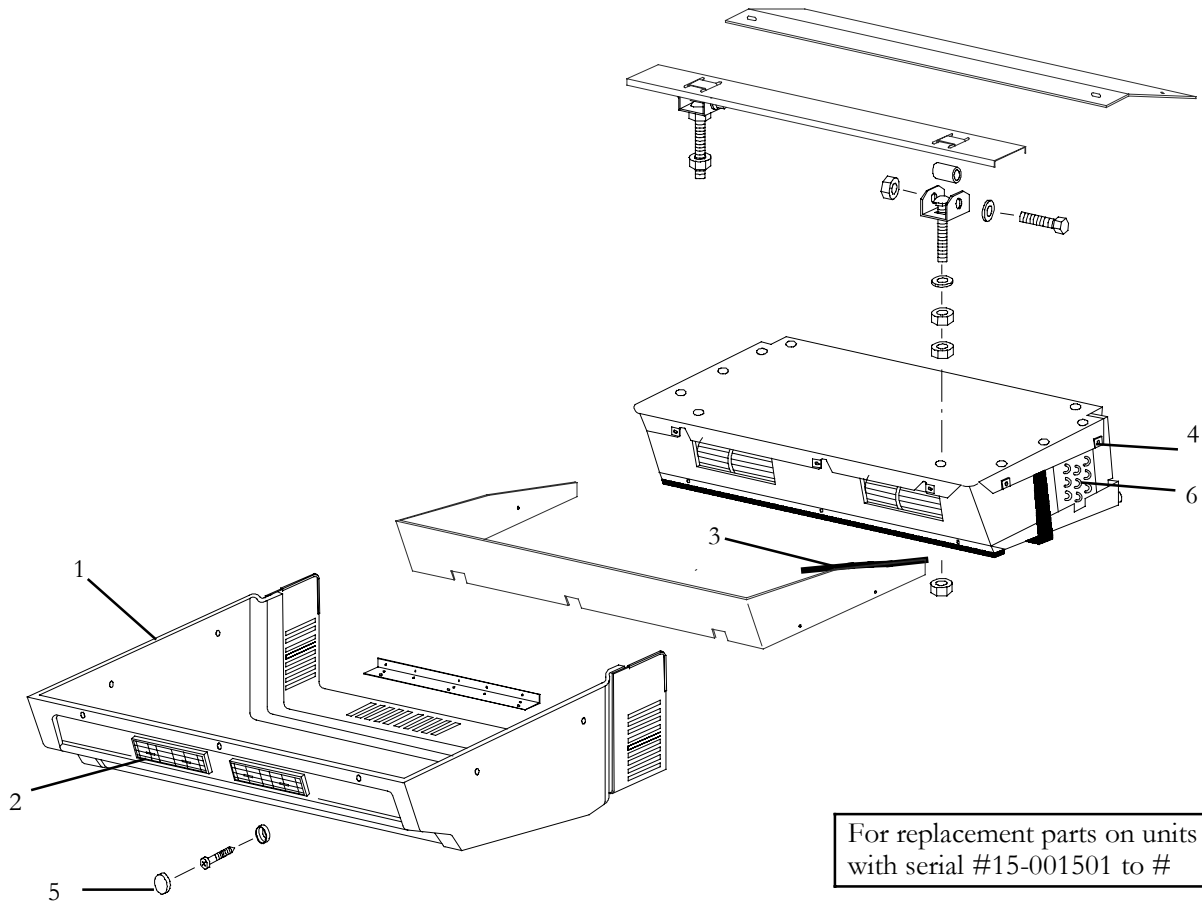


Item	Part Number	Description	Qty
1	22-01141-01	Terminal, Female, 1/4" Pushon, Insulated 16-14 AWG	6
2	22-01142-XX	Terminal, Female, 1/4" Pushon, Insulated 10-12 AWG	3
3	22-02245-02	Terminal, Female, 1/4" Pushon, Insulated 22-18 AWG	2
4	22-01502-00	Terminal, Male, 1/4" Pushon, Insulated 22-18 AWG	1
5	22-02338-07	Fuseholder, w/Cap	1
6	22-02336-26	Fuse, Mini, 25A	1
7	REF	Terminal, Butt Splice, Heat Sealable, 22-18 AWG (Molex Part # 19164-0013)	2
8	REF	Terminal, Butt Splice, Heat Sealable, 12-10 AWG (Molex Part # 19164-0056)	1
9	REF	Terminal, Butt Stepdown, Heat Sealable, 12-10/8 AWG (Waytec Part # 38253)	1
N.S.	Y30-13000-00	Nyogel	1



SECTION 1.4 EM-6 EVAPORATORS

1.4.1 EVAPORATOR, EM-6, GEN 4, SIDE MOUNT, FREE BLOW

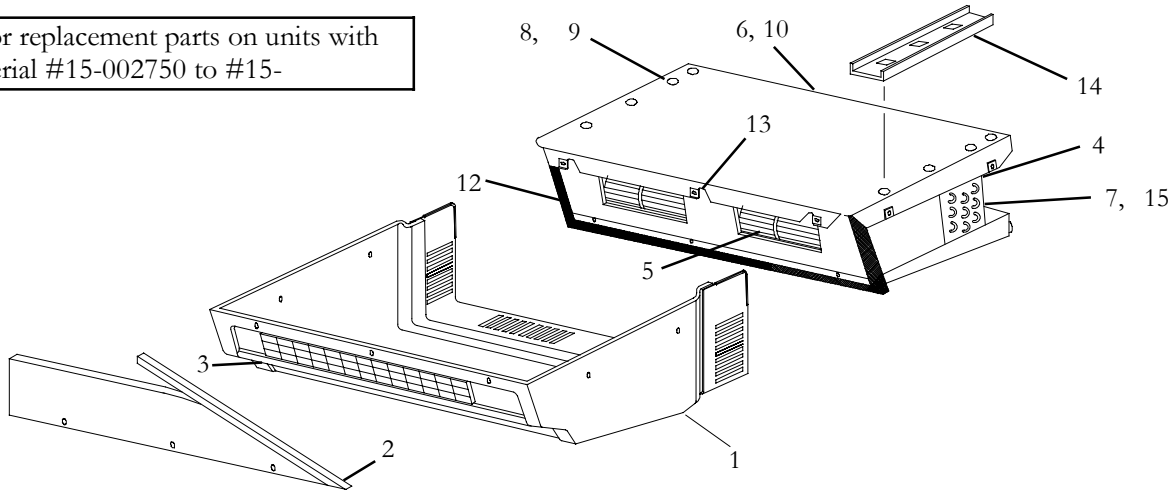


Item	Part Number	Description	Qty
1	N/A	Cover Assembly, White	1
	79-62076-01	Cover Assembly, Gray	1
2	AC401-308	Assembly, Louver (7.0 X 3.0 Inches)	2
3	AC801-412F25	Trim, Flexible, Black (25 Ft. Roll)	1
4	AC701-123	Clip, Tinnerman, High Torque, #10AB	10
5	AC801-531	Cap, Snap, White	7
	AC801-532	Cap, Snap, Gray	7
6	N/A	Coil Assembly, 3 Row, W/O Heat (Includes TXV)	1



1.4.2 EVAPORATOR, EM-6, GEN 4, FREE BLOW

For replacement parts on units with serial #15-002750 to #15-

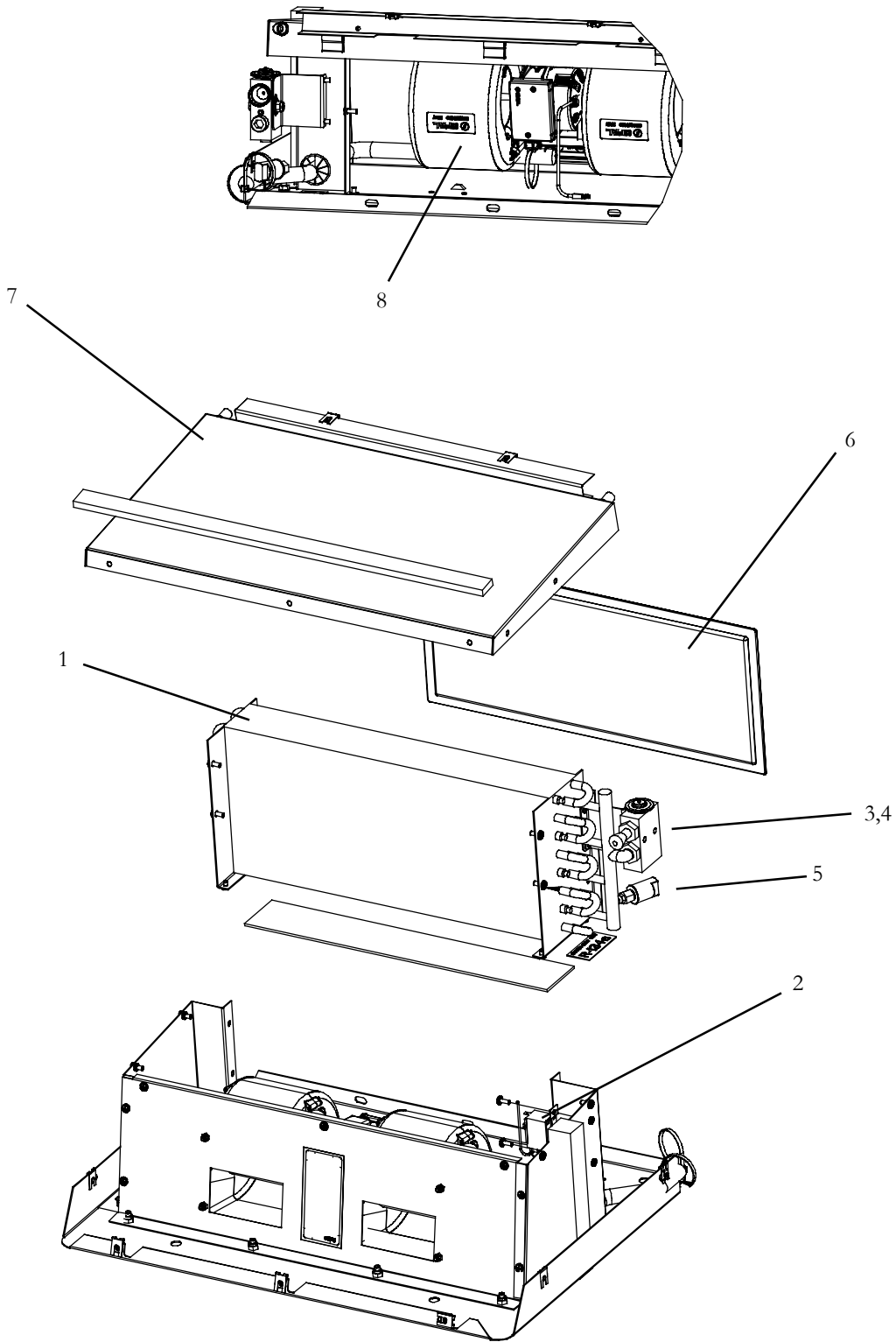


Item	Part Number	Description	Qty
1	79-62074-00	Cover Assembly, White	1
	79-62074-01	Cover Assembly, Gray	1
2	AC801-412F25	Flexible Trim, Black (25 Ft. Roll)	1
3	AC401-320	Assembly, Louver, Air Outlet, (14-3/8 X 3-3/8 Inch)	1
4	AC801-462	Filter, Return Air (1/4 X 8.0 X 19.0 Inch)	1
5	AC401-232	Assembly, Blower, Dual, 12 VDC	1
	AC401-233	Assembly, Blower, Dual, 24 VDC	1
6	76-62019-00	Resistor Kit, (1.8 Ohm, 4 Prong)	1
7	08-62061-00	Assembly, Coil, With Low Pressure Switch Connection	1
	08-62062-00	Assembly, Coil, With Heat, Coil, With Low Pressure Switch Connection	1
8	14-00397-00	Valve, Thermal Expansion	1
9	AC801-202	O-Ring, 1/2 Inch	2
10	AC201-501	Thermostat, Freeze-Up, Coil Insert	1
11	AC801-403	Gasket, Foam (1-1/4 X 1-1/4 inch X 25 Foot Roll)	1
12	AC801-414	Gasket, Foam, Soft (3/8 X 1 inch X 25 Foot Roll)	1
13	AC701-123	Clip, Tinnerman, High-Torque (#10AB)	11
14	AC020-009	Channel, Mounting	2
15	AC201-412	Switch, Low Pressure	1

OPTION TABLE - EM6 - CLASSIC LINE

MODEL EM7 Y19-EM607	Cover Kit (See Section 1.4.4)	Chassis Kit (See Section 1.4.3)	Wire Harness (See Section 1.4.5)
-00	-	1	1
-01	-	2	1
-21	2	1	1
-22	1	1	1
-23	2	2	1
-24	1	2	1
-30	2	1	1
-31	1	1	1
-32	2	2	1
-33	1	2	1

1.4.3 EM-6, CLASSIC LINE, 3 SPEED CHASSIS KITS Y73-EM601-00 & -01, OPTION 1 & 2

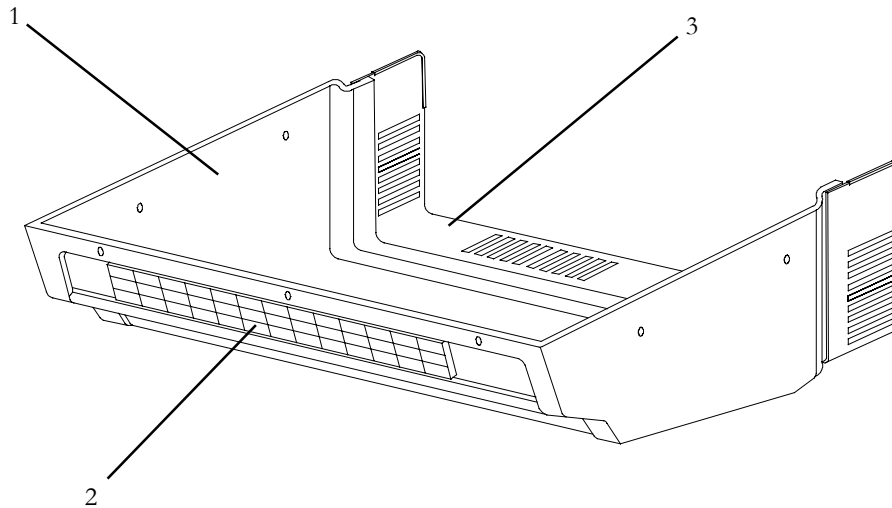




1.4.3 EM-6, CLASSIC LINE, 3 SPEED CHASSIS KITS Y73-EM601-00 & -01, OPTION 1 & 2, Cont.			
Item	Part Number	Description	Qty
1	08-62061-00	Coil Assembly, Evaporator, (Cool Only), OPTION 1	1
	08-62062-00	Coil Assembly, Evaporator, (With Heat), OPTION 2	1
2	12-00685-00	Thermostat, Freeze-up	1
3	14-00397-00	Thermal Expansion Valve (TXV)	1
4	AC801-202	O-Rings, 1/2" HN BR	2
5	AC201-412	Pressure Switch, Low	1
6	AC801-462	Filter, Air	1
7	79-62128-00	Drain Pan Assembly	1
8	Y15-00003-00	Blower Assembly, 12VDC, w/Resistor	1



1.4.4 EM-6, CLASSIC LINE, COVER ASSEMBLY, REAR MOUNT : OPTION 1 & 2

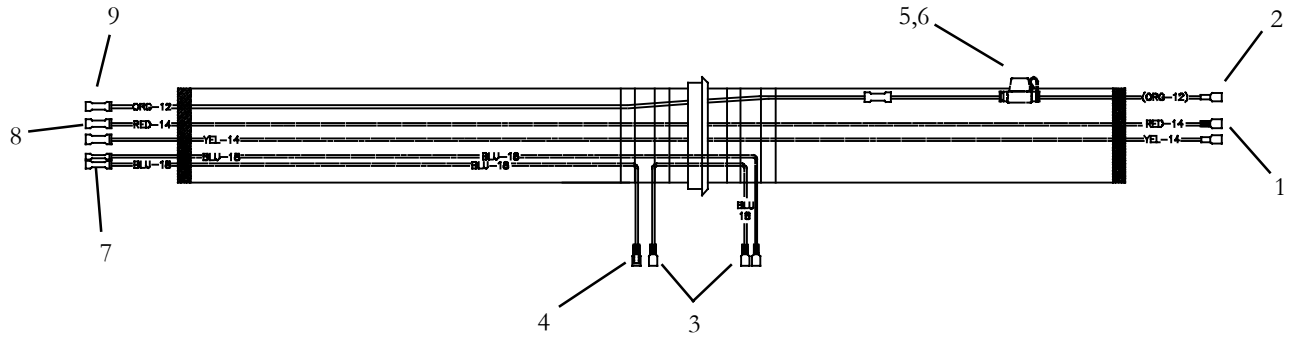


Item	Part Number	Description	Qty
1	79-62074-01	Cover Assembly, Gray, OPTION 1	1
	79-62074-00	Cover Assembly, White, OPTION 2	1
2	AC401-320	Diffuser, Air, Adjustable Rectangular	1
3	AC022-253	Grille, Return Air	1

NOTE

Complete Wire Harnesses are Non-Stock Items. Replacement Components are Listed.

1.4.5 EM2 CLASSIC LINE, WIRE HARNESS Y25-00102-01, OPTION 1



Item	Part Number	Description	Qty
1	22-01141-01	Terminal, Female, 1/4" Pushon, Insulated 16-14 AWG	2
2	22-01142-XX	Terminal, Female, 1/4" Pushon, Insulated 10-12 AWG	1
3	22-02245-02	Terminal, Female, 1/4" Pushon, Insulated 22-18 AWG	3
4	22-01502-00	Terminal, Male, 1/4" Pushon, Insulated 22-18 AWG	1
5	22-02338-07	Fuseholder, w/Cap	1
6	22-02336-26	Fuse, Mini, 25A	1
7	REF	Terminal, Butt Splice, Heat Sealable, 22-18 AWG (Molex Part # 19164-0013)	2
8	REF	Terminal, Butt Stepdown, Heat Sealable, 16-14/12-10 AWG (Molex Part # 19164-0077)	2
9	REF	Terminal, Butt Stepdown, Heat Sealable, 12-10/8 AWG (Waytec Part # 38253)	1
N.S.	Y30-13000-00	Nyogel	1

SECTION 1.5 EM-7 EVAPORATORS
**OPTION TABLE - EM7 - GEN V,
12 VDC - 3 Speed**

MODEL EM7 Gen V 77-62572	Cover Kit (see Section 1.5.3)	Chassis Kit (see Section 1.5.1)	Wire Harness (see Section 1.5.2)
-00	-	1	1
-01	-	1	1 & 2
-02	-	1	1 & 2
-05	-	1	1 & 4
-06	-	1	1 & 5
-07	-	1	1 & 5
-21	1	1	1 & 2
-22	1	1	1 & 2
-23	2	1	1 & 2
-24	2	1	1 & 2
-31	1	1	1 & 2
-32	1	1	1 & 2
-41	1	1	1 & 2
-42	1	1	1 & 2
-44	1	1	1 & 2
-45	1	1	1 & 2
-47	1	1	1 & 2
-51	2	1	1 & 2
-52	2	1	1 & 2
-61	2	1	1 & 2
-62	2	1	1 & 2
-63	2	1	5
-64	2	1	5
-80	1	1	1 & 4
-81	1	1	1 & 4
-82	1	1	1 & 4
-83	1	1	1 & 4
-85	1	1	1 & 2
-90	2	1	1 & 3
-91	2	1	1 & 3
-95	1	1	1 & 2
-96	1	1	1 & 2

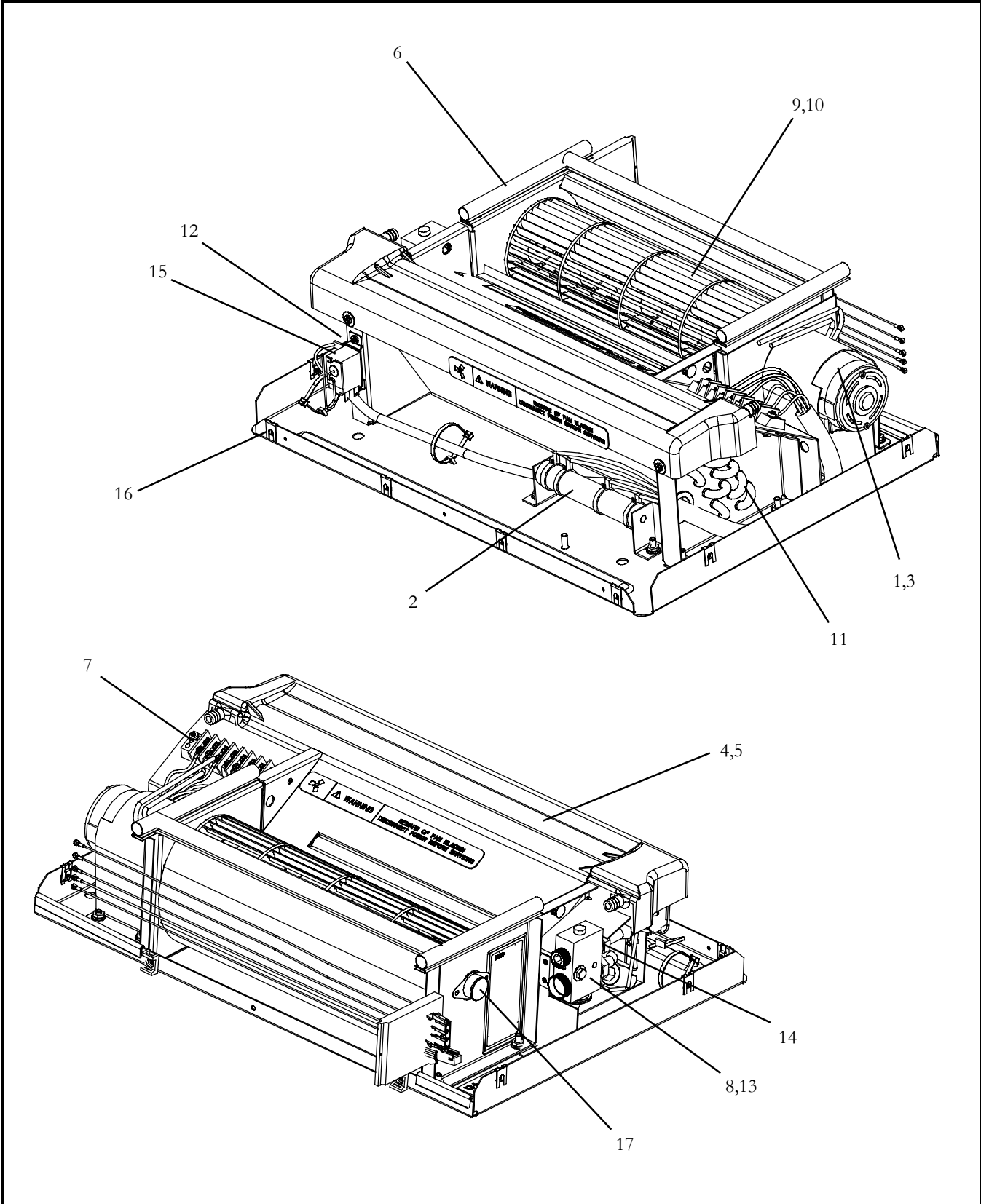
**OPTION TABLE - EM7 - GEN V
12 VDC - Variable Speed**

MODEL EM7 Gen V 77-62712	Cover Kit (see Section 1.5.3)	Chassis Kit (see Section 1.5.1)	Wire Harness (see Section 1.5.2)
-00	-	1	6
-21	1	1	6
-22	1	1	6
-31	1	1	6
-32	1	1	6
-41	1	1	6
-42	1	1	6
-44	1	1	6
-45	1	1	6
-51	2	1	6
-52	2	1	6
-61	2	1	6
-62	2	1	6
-80	1	1	6 & 7
-82	1	1	6 & 7

**OPTION TABLE - EM7 - GEN V
24 VDC - Variable Speed**

MODEL EM7 Gen V 77-62724	Cover Kit (see Section 1.5.3)	Chassis Kit (see Section 1.5.1)	Wire Harness (see Section 1.5.2)
-00	-	1	6
-41	1	1	6
-42	1	1	6
-61	2	1	6
-62	2	1	6

1.5.1 EVAPORATOR, EM-7, GEN V, CHASSIS KIT (Common Parts): OPTION 1

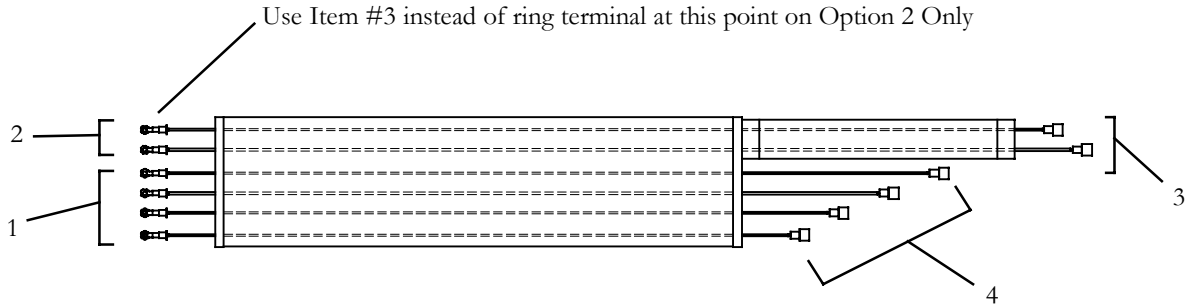




1.5.1 EVAPORATOR, EM-7, GEN V, CHASSIS KIT (Common Parts): OPTION 1 (Continued)			
Item	Part Number	Description	Qty
1	Y45-00005-52	Motor Evaporator, 12 VDC, GEN-V (3 Speed Application ONLY)	1
	22-62328-02	Fuse, 25A, 12 VDC, GEN-V	1
	Y45-00005-55	Motor Evaporator, 24 VDC, GEN-V	1
	22-02336-24	Fuse, 15A, 24 VDC, GEN-V	1
2	22-62169-00	Resistor, 220 W, .820 Ohm (3 Speed Application ONLY)	1
3	42-62052-00	Gasket, Motor	1
4	79-62106-02	Drain Pan Assembly, Includes:	1
5	42-62140-02Baffle, Drain Pan, Foam	1
6	58-62064-00F25	Trim Seal, 1/8 Inch Grip, (25 Foot Roll)	A/R
7	22-62141-01	Terminal Block, 7 Position, (30 Amp)	1
8	AC701-101	Clip, Tinnerman, high Torque, (1/4-20)	1
9	38-00564-52	Blower Wheel (Length: 14.61 Inches - 371.1 mm) Includes:	1
10	34-00482-05	Set Screw, Cup Point, 1/4-28, SS	1
11	08-01068-02	Coil, Evaporator	1
12	AC201-412	Switch, Pressure, Low, Female	1
13	14-00397-00	Valve, Thermal Expansion, R134a	1
N.S.	42-00032-00	Tape, Insulation, Pressite, 2.00 Inch X 30 Feet Long	1
14	AC801-202	O-Ring, HNBR, (1/2 Inch)	2
15	12-00685-00	Thermostat, Freeze, Non-Adjustable	1
16	AC701-123	Clip, Tinnerman, High Torque, (#10AB)	8
17	76-62257-00	Blower Housing & Boot Repair Kit - Includes:	1

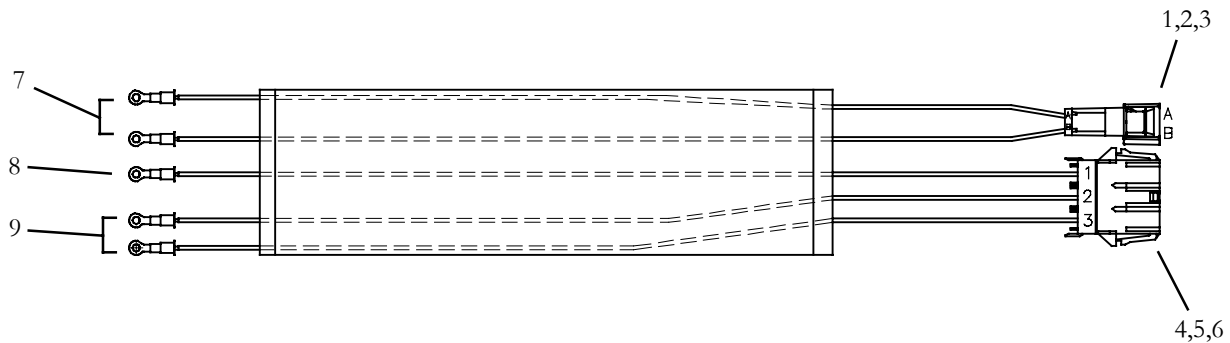
NOTE: Complete Wire Harnesses are Non-Stock Items. Replace Components are Listed.

1.5.2 EM7 GEN-V, Wire Harness 22-62168-00 & -01: OPTION 1 & OPTION 5



Item	Part Number	Description	Qty
1	22-00119-03	Terminal Ring #10, 12/10 AWG	4
2	22-00121-27	Terminal Ring #10, 22/18 AWG	2
3	22-02245-02	Terminal, Female, Fully Insulated Faston Straight 1/4", 22/18 AWG	2/3
4	31-1247	Terminal, Female, Fully Insulated Faston Straight 1/4", 12/10 AWG	4

1.5.2 EM7 GEN-V, Wire Harness 22-62286-00: OPTION 2

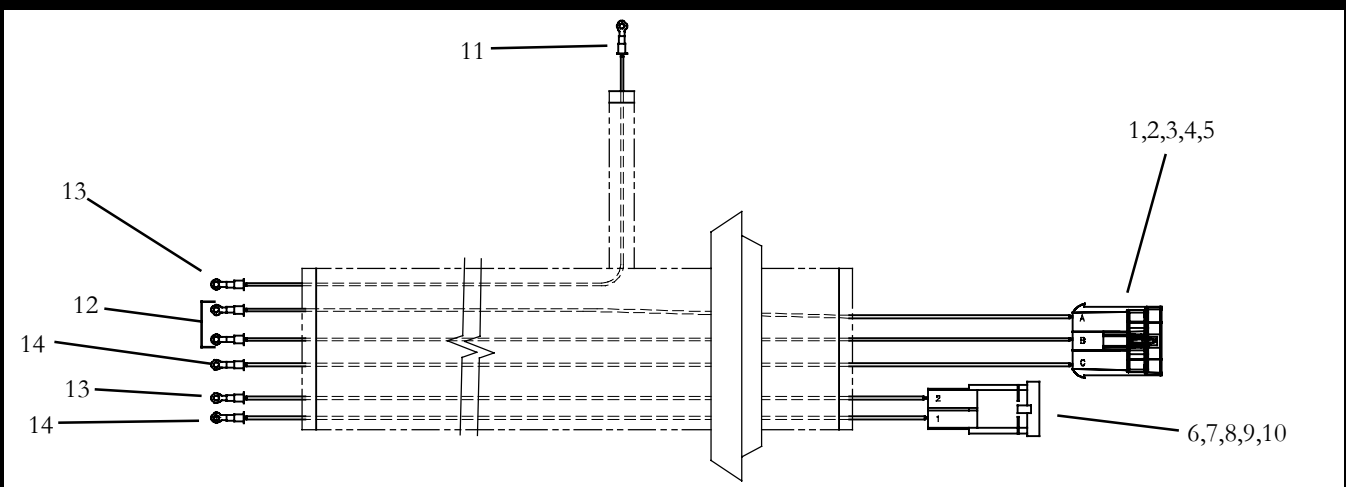


Item	Part Number	Description	Qty
1	22-50099-37	Connector, Male, 2 Way, MP 280 Series, Unsealed	1
2	22-50099-37A	Terminal, Male, 16/18 AWG	2
3	22-50099-37D	Lock, Secondary	1
4	22-50099-32	Connector, Plug Housing, 3 Way, Molex	1
5	22-50099-32A	Terminal, Male, Molex 10/12 AWG	2
6	22-50099-32B	Terminal, Male, Molex, 8 AWG	1
7	22-00121-27	Terminal Ring #10, 22/18 AWG	2
8	22-00119-03	Terminal Ring #10, 12/10 AWG	2
9	22-00872-01	Terminal Ring #10, 8 AWG	1



NOTE: Complete Wire Harnesses are Non-Stock Items. Replace Components are Listed.

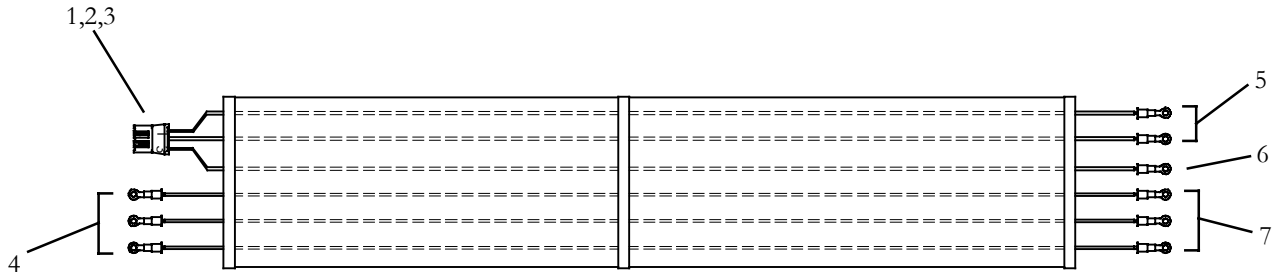
1.5.2 EM7 GEN-V, Wire Harnesses 22-62247-00: OPTION 3



Item	Part Number	Description	Qty
1	22-50078-86	Connector, Male, M/P 630, 3 Way	1
2	22-50078-49A	Terminal, Male, 18 AWG	2
3	22-50078-49C	Terminal, Male, 12 AWG	1
4	22-50078-86B	Cable Seal	3
5	22-50078-86A	Lock, Secondary	1
6	22-50098-67	Connector, Male, Tyco, 2 Way	1
7	22-50098-67B	Terminal, Male, 8 AWG	1
8	22-50098-67A	Terminal, Male, 10/12 AWG	1
9	22-50098-67C	Cable Seal, 10/12 AWG	1
10	22-50098-67D	Cable Seal, 8 AWG	1
11	22-00872-03	Terminal, Ring 5/16", 8 AWG	2
12	22-00121-27	Terminal, Ring, #10 - 18 AWG	2
13	22-00872-01	Terminal, Ring, #10 - 8 AWG	2
14	22-00119-03	Terminal, Ring, #10 - 12/10 AWG	2

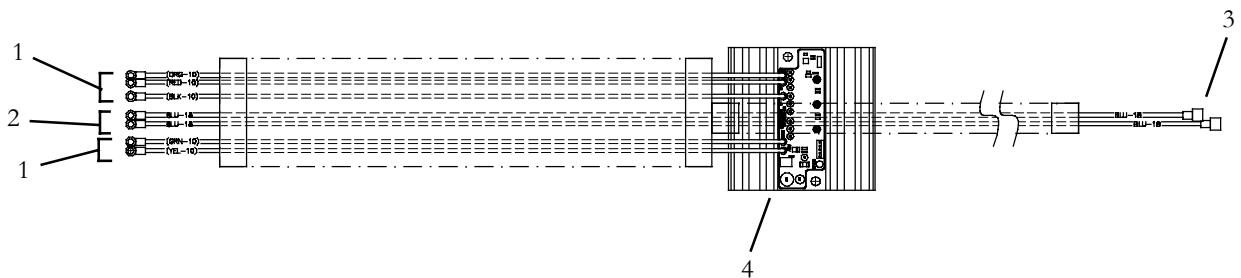
NOTE: Complete Wire Harnesses are Non-Stock Items. Replace Components are Listed.

1.5.2 EM7 GEN-V, Wire Harness 22-62261-00: OPTION 4



Item	Part Number	Description	Qty
1	Y31-00007-00	Connector, Female, Molex, 3 Way	1
2	Y31-00007-50	Terminal, Female, Molex, 18-20 AWG	2
3	Y31-00007-51	Terminal, Female, Molex, 14-16 AWG	1
4	22-01140-04	Terminal, Ring, 3/8", 12/10 AWG	3
5	22-00121-27	Terminal, Ring, #10 - 18 AWG	2
6	22-01139-02	Terminal, Ring, #10 - 14/16 AWG	1
7	22-01140-02	Terminal, Ring, #10 - 12/10 AWG	3

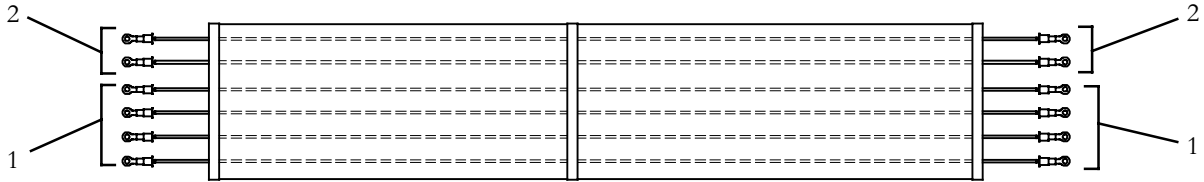
1.5.2 EM7 GEN-V, Wire Harness 22-62099-00 & -01: OPTION 6



Item	Part Number	Description	Qty
1	22-01140-02	Terminal Ring #10, 12/10 AWG	5
2	22-00121-27	Terminal Ring #10, 22/18 AWG	2
3	22-02245-02	Terminal, Female, Fully Insulated Faston Straight 1/4", 22/18 AWG	2/4
4	12-00533-00	Speed Controller w/ Harness	1

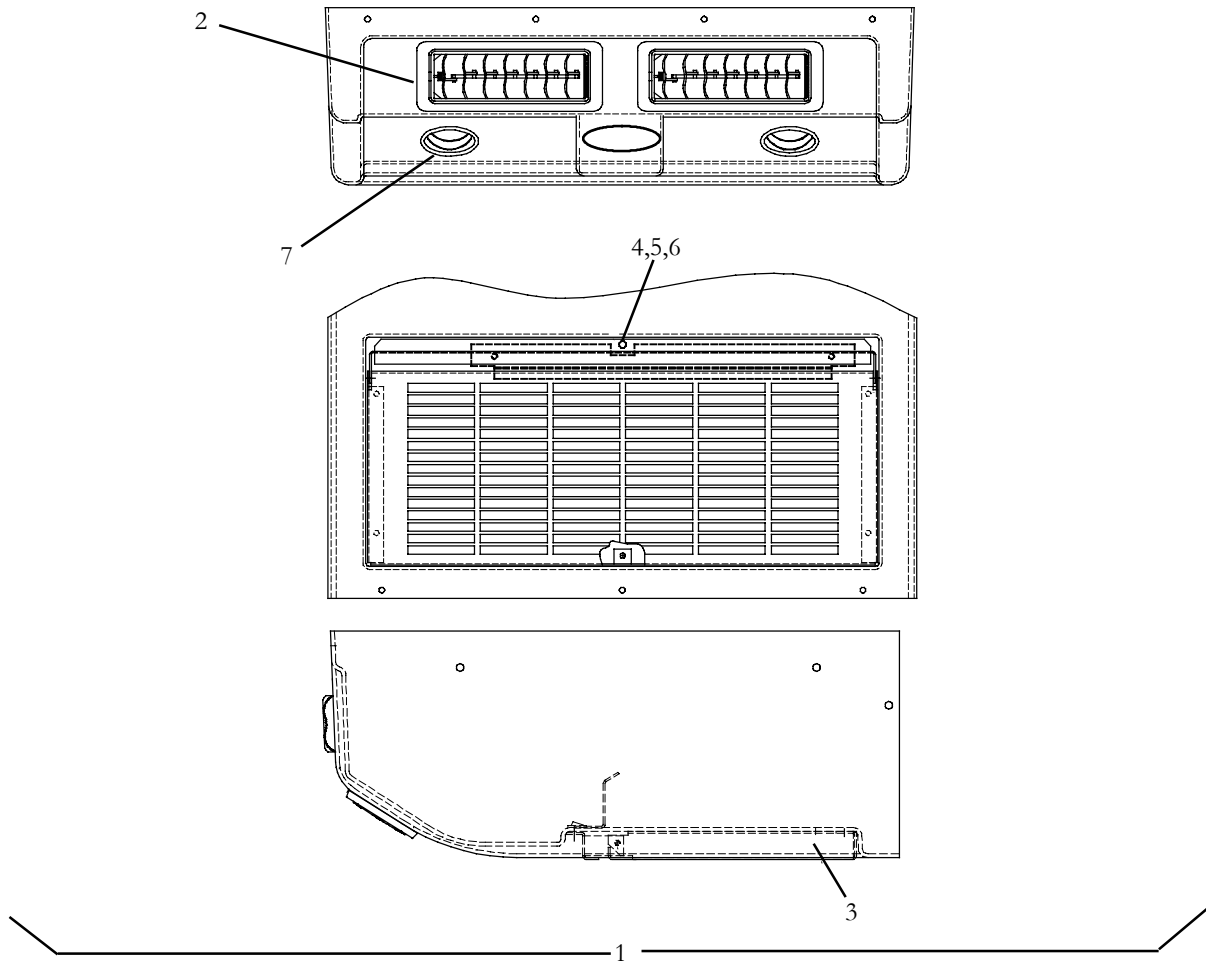
NOTE: Complete Wire Harnesses are Non-Stock Items. Replace Components are Listed.

1.5.2 EM7 GEN-V, Wire Harness 22-62194-00: OPTION 7



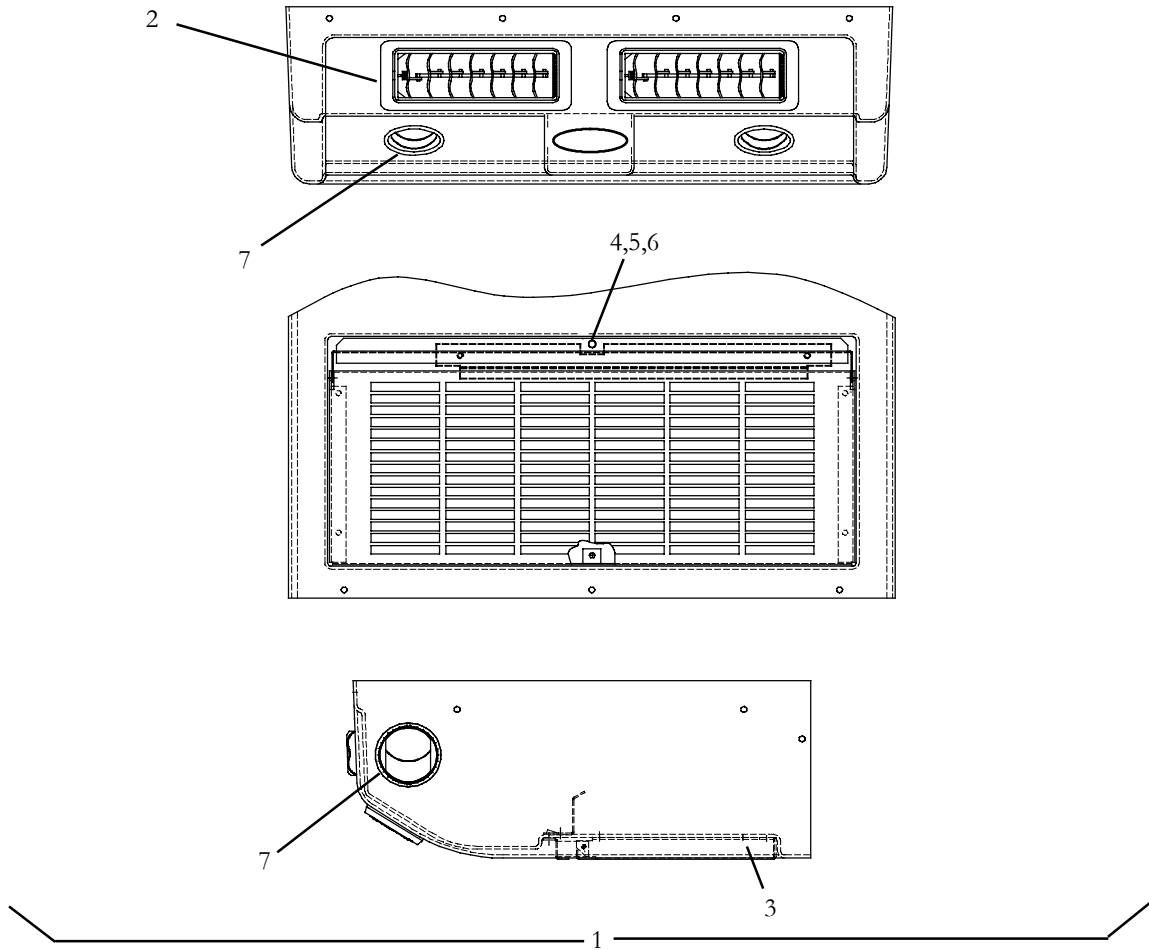
Item	Part Number	Description	Qty
1	22-01140-02	Terminal Ring #10, 10 AWG	8
2	22-00121-27	Terminal Ring #10, 22/18 AWG	4

1.5.3 COVER ASSEMBLY, EM-7, GEN-V, REAR MOUNT : OPTION 1



Item	Part Number	Description	Qty
1	79-62046-01	Cover Assembly, EM-7, Complete, Rear Mount, White - Includes:	1
	79-62046-02	Cover Assembly, EM-7, Complete, Rear Mount, Gray - Includes:	1
2	58-62042-00Louver, Rectangle (8.0 X 3.0 Inches)	2
3	38-00573-03Filter, Air, EM-7, GenV (20.65 X 9 Inches)	1
4	34-62019-00Receptacle, 1/4 Turn	1
5	34-62020-00Stud, 1/4 Turn, .25 Grip Range	1
6	34-06169-01Washer, Retaining, .215 I. D.	1
7	58-62077-00Louver, Adjustable, 3.00 Inch (Round)	2

1.5.3 COVER ASSEMBLY, EM-7, GEN-V, SIDE MOUNT : OPTION 2

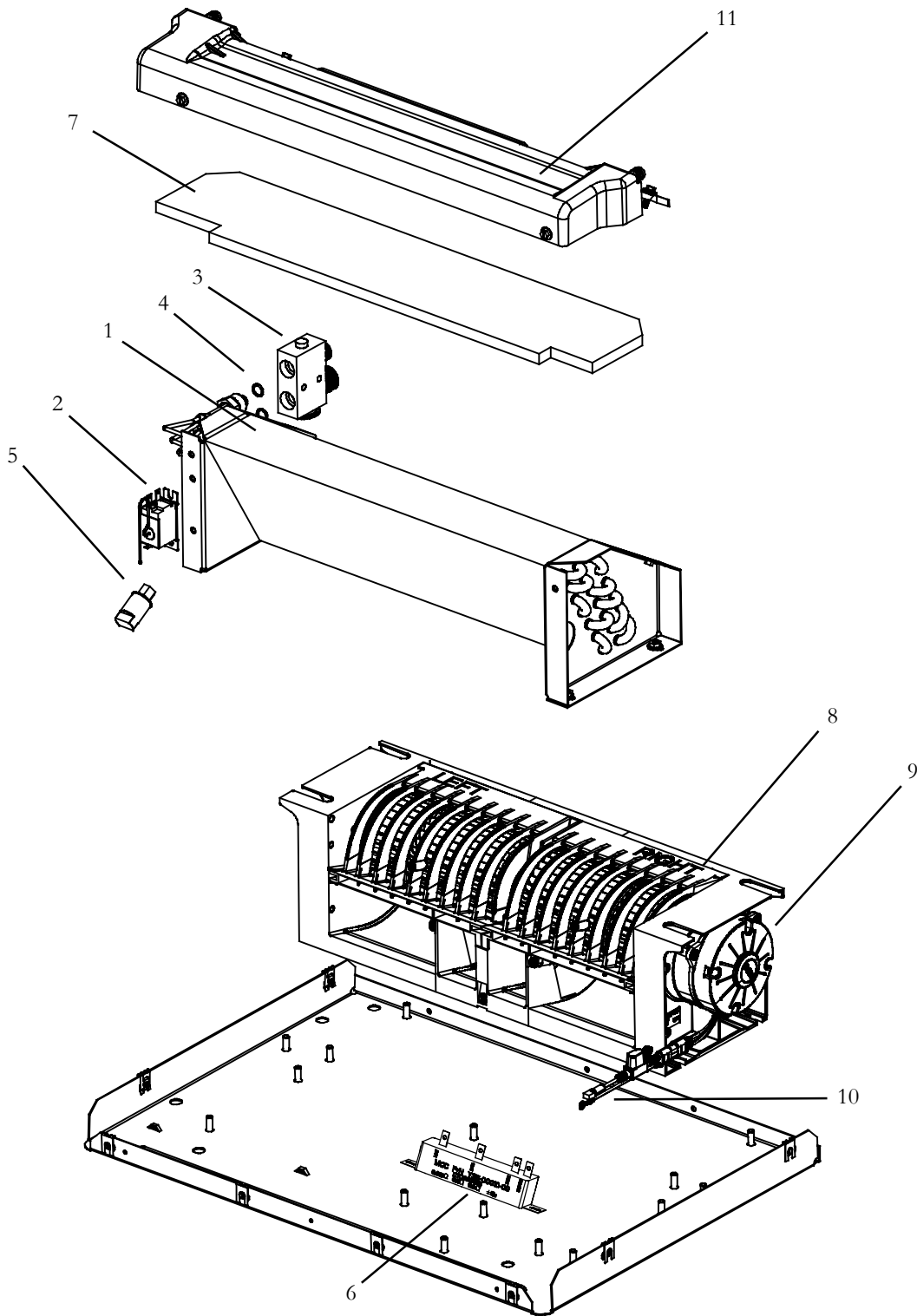


Item	Part Number	Description	Qty
1	79-62047-01	Cover Assembly, EM-7, Complete, Side Mount, White - Includes:	1
	79-62047-02	Cover Assembly, EM-7, Complete, Side Mount, Gray - Includes:	1
2	58-62042-00Louver, Rectangle (8.0 X 3.0 Inches)	2
3	38-00573-03Filter, Air, EM-7, GenV (20.65 X 9 Inches)	1
4	34-62019-00Receptacle, 1/4 Turn	1
5	34-62020-00Stud, 1/4 Turn, .25 Grip Range	1
6	34-06169-01Washer, Retaining, .215 I. D.	1
7	58-62077-00Louver, Adjustable, 3.00 Inch (Round)	4

OPTION TABLE - EM7 - GEN VI

MODEL EM7 Y73-EM701	Cover Kit (See Section 1.5.5)	Chassis Kit (See Section 1.5.4)	Wire Harness (See Section 1.5.6)
-21	1	1	1
-22	1	1	1
-23	2	1	1
-24	2	1	1
-31	1	1	1
-32	1	1	1
-41	1	1	1
-42	1	1	1
-44	1	1	1
-45	1	1	1
-47	1	1	1
-51	2	1	1
-52	2	1	1
-61	2	1	1
-62	2	1	1
-80	1	1	2
-81	1	1	2
-82	1	1	2
-83	1	1	2
-85	1	1	1
-91	2	1	3
-95	1	1	1
-96	1	1	1

1.5.4 EM-7, GEN-VI, 3 SPEED CHASSIS KITS Y73-EM701-00 thru -02 (COMMON PARTS): OPTION 1



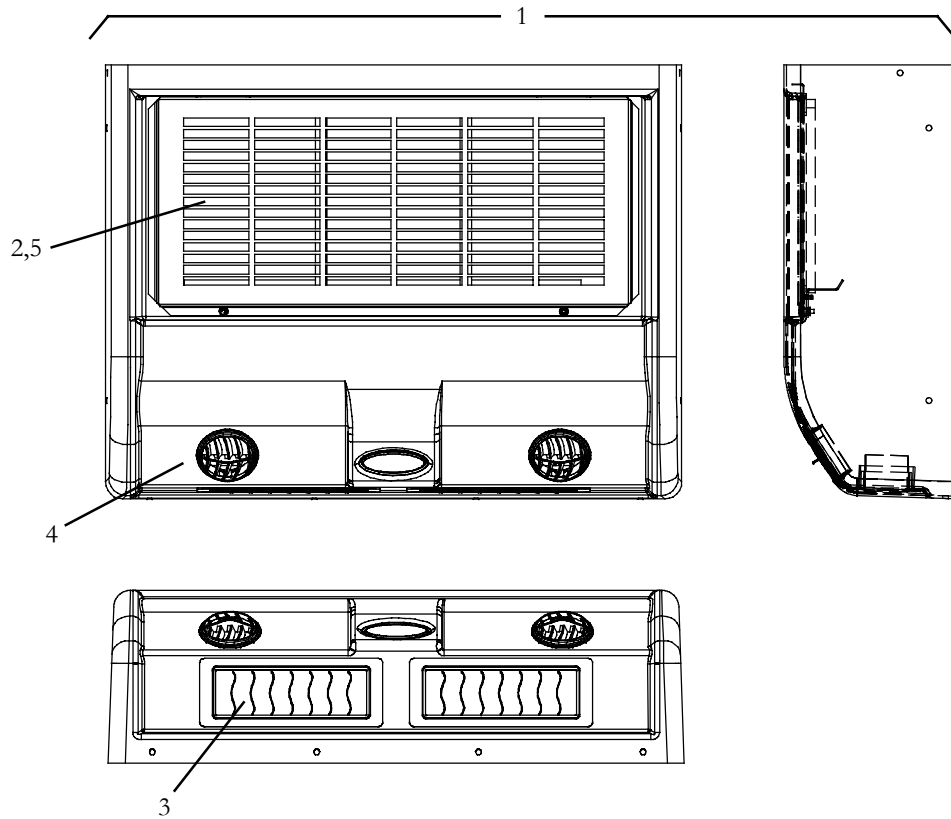
NOTE: See Option Table and Section 1.5.6 For Y73-EM701-00 thru -02 Wire Harnesses



1.5.4 EM-7, GEN-VI, 3 SPEED CHASSIS KITS Y73-EM701-00 thru -02 (COMMON PARTS) : OPTION 1- Cont:			
Item	Part Number	Description	Qty
1	08-01068-02	Coil Assembly, Evaporator	1
2	12-00685-00	Thermostat	1
3	14-00397-00	Expansion Valve	1
4	AC801-202	O-Rings, 1/2" HN BR	2
5	AC201-412	Pressure Switch, Low	1
6	22-62169-00	Resistor, 220W/.820 Ohm	1
7	42-62140-02	Baffle, Evaporator	1
8	54-00646-02	Blower Assembly, 12VDC, Includes:	1
9	54-00646-50	Blower Motor, 12VDC	1
10	54-00646-62	Harness, Blower Motor, 12VDC	1
11	58-62186-02	Drain Pan	1



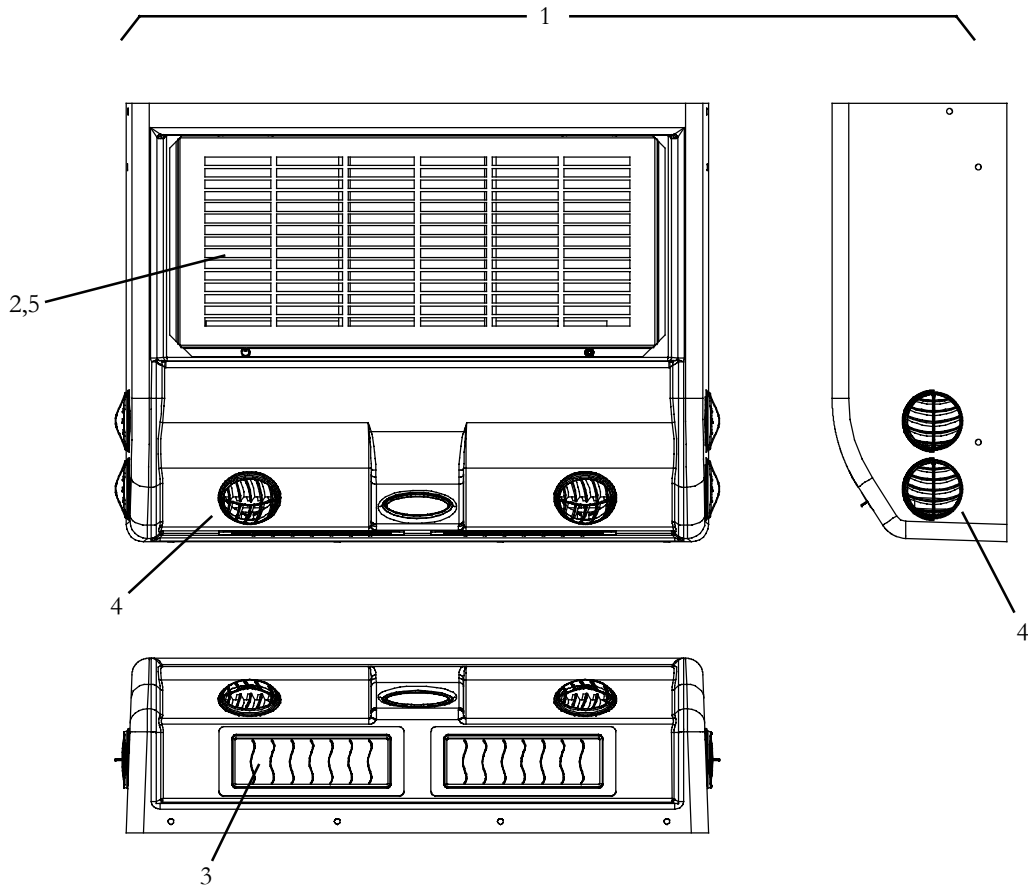
1.5.5 EM-7, GEN-VI, COVER ASSEMBLY, REAR MOUNT : OPTION 1
(Used on MODELS Y19-EM701-21,-22,-31,-32,-41,-42,-44,-45,-47,-80,-81,-82,-83,-85,-95 & -96)



Item	Part Number	Description	Qty
1	Y28-00027-00	Cover Assembly, Gray, (used on -22,-32,-42,-44,-47,-82,-83,-85 & -96)	1
	Y28-00027-01	Cover Assembly, White, (used on -21,-31,-41,-45,-80,-81 & -95)	1
2	38-00573-03	Filter, Air	1
3	58-62042-00	Diffuser, Air, Adjustable Rectangular	4
4	Y23-00002-00	Louver, 2.5" Fixed Vane	2
5	Y24-00110-00	Grille, Return Air	1



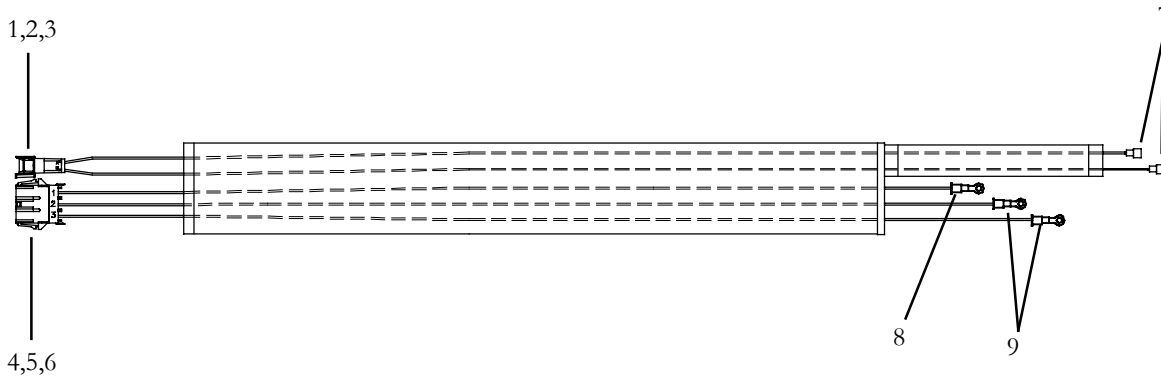
1.5.5 EM-7, GEN-VI, COVER ASSEMBLY, SIDE MOUNT: OPTION 2
(Used on MODELS Y19-EM701-23,-24,-51,-52,-61,-62, & -91)



Item	Part Number	Description	Qty
1	Y28-00027-02	Cover Assembly, Gray, (used on -23,-52,-62 & -91))	1
	Y28-00027-03	Cover Assembly, White, (used on -24,-51 & -61)	1
2	38-00573-03	Filter, Air	1
3	58-62042-00	Diffuser, Air, Adjustable Rectangular	4
4	Y23-00002-00	Louver, 2.5" Fixed Vane	6
5	Y24-00110-00	Grille, Return Air	1

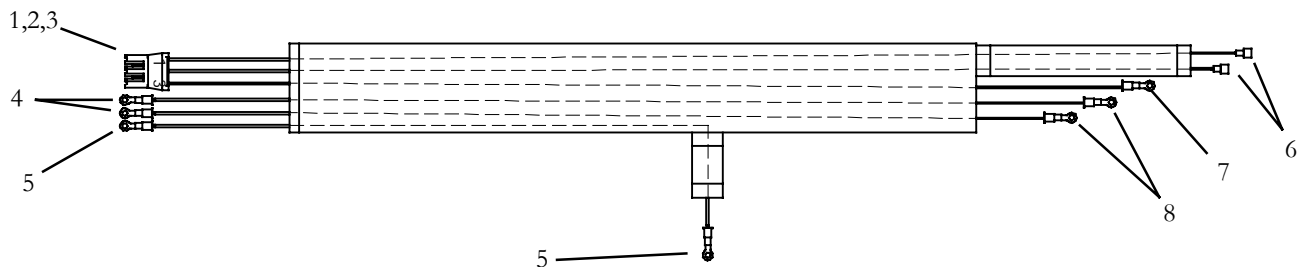
NOTE: Complete Wire Harnesses are Non-Stock Items. Replace Components are Listed.

1.5.6 EM7 GEN-VI, Wire Harness 22-62303-00: OPTION 1



Item	Part Number	Description	Qty
1	22-50099-37	Connector, Male, MP 280 Series, Unsealed	1
2	22-50099-37A	Terminal, Male, 16/18 AWG	2
3	22-50099-37D	Lock, Secondary	1
4	22-50099-32	Connector, Plug Housing, 3 Way, Molex	1
5	22-50099-32A	Terminal, Male, Molex 10/12 AWG	2
6	22-50099-32B	Terminal, Male, Molex, 8 AWG	1
7	22-02245-02	Terminal, Female, Fully Insulated, 22/18 AWG	2
8	22-02245-01	Terminal, Ring, #10 - 8 AWG	1
9	22-01140-02	Terminal, Ring, #10 - 12/10 AWG	2

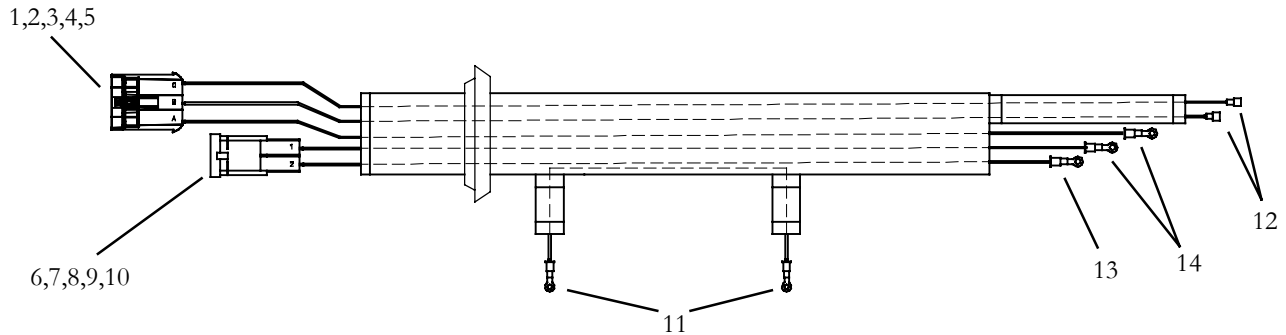
1.5.6 EM7 GEN-VI, Wire Harness 22-62303-01: OPTION 2



Item	Part Number	Description	Qty
1	Y31-00007-00	Connector, Female, Molex, 3 Way	1
2	Y31-00007-50	Terminal, Female, Molex, 18-20 AWG	2
3	Y31-00007-51	Terminal, Female, Molex, 14-16 AWG	1
4	22-01140-04	Terminal, Ring $\frac{3}{8}$ " , 12/10 AWG	2
5	22-00872-03	Terminal, Ring $\frac{5}{16}$ " , 8 AWG	2
6	22-02245-02	Terminal, Female, Fully Insulated, 22/18 AWG	2
7	22-01139-02	Terminal, Ring, #10 - 14/16 AWG	1
8	22-01140-02	Terminal, Ring, #10 - 12/10 AWG	2

NOTE: Complete Wire Harnesses are Non-Stock Items. Replace Components are Listed.

1.5.6 EM7 GEN-VI, Wire Harness 22-62303-02: OPTION 3



Item	Part Number	Description	Qty
1	22-50078-86	Connector, Male, M/P 630, 3 Way	1
2	22-50078-49A	Terminal, Male, 18 AWG	2
3	22-50078-49C	Terminal, Male, 12 AWG	1
4	22-50078-86B	Cable Seal	3
5	22-50078-86A	Lock, Secondary	1
6	22-50098-67	Connector, Male, Tyco, 2 Way	1
7	22-50098-67B	Terminal, Male, 8 AWG	1
8	22-50098-67A	Terminal, Male, 10/12 AWG	1
9	22-50098-67C	Cable Seal, 10/12 AWG	1
10	22-50098-67D	Cable Seal, 8 AWG	1
11	22-00872-03	Terminal, Ring 5/16", 8 AWG	2
12	22-02245-02	Terminal, Female, Fully Insulated, 22/18 AWG	1
13	22-00872-01	Terminal, Ring, #10 - 8 AWG	1
14	22-01140-02	Terminal, Ring, #10 - 12/10 AWG	2

SECTION 1.6 EM-9 EVAPORATORS
**OPTION TABLE - EM9 - GEN IV,
12 VDC - 3 Speed**

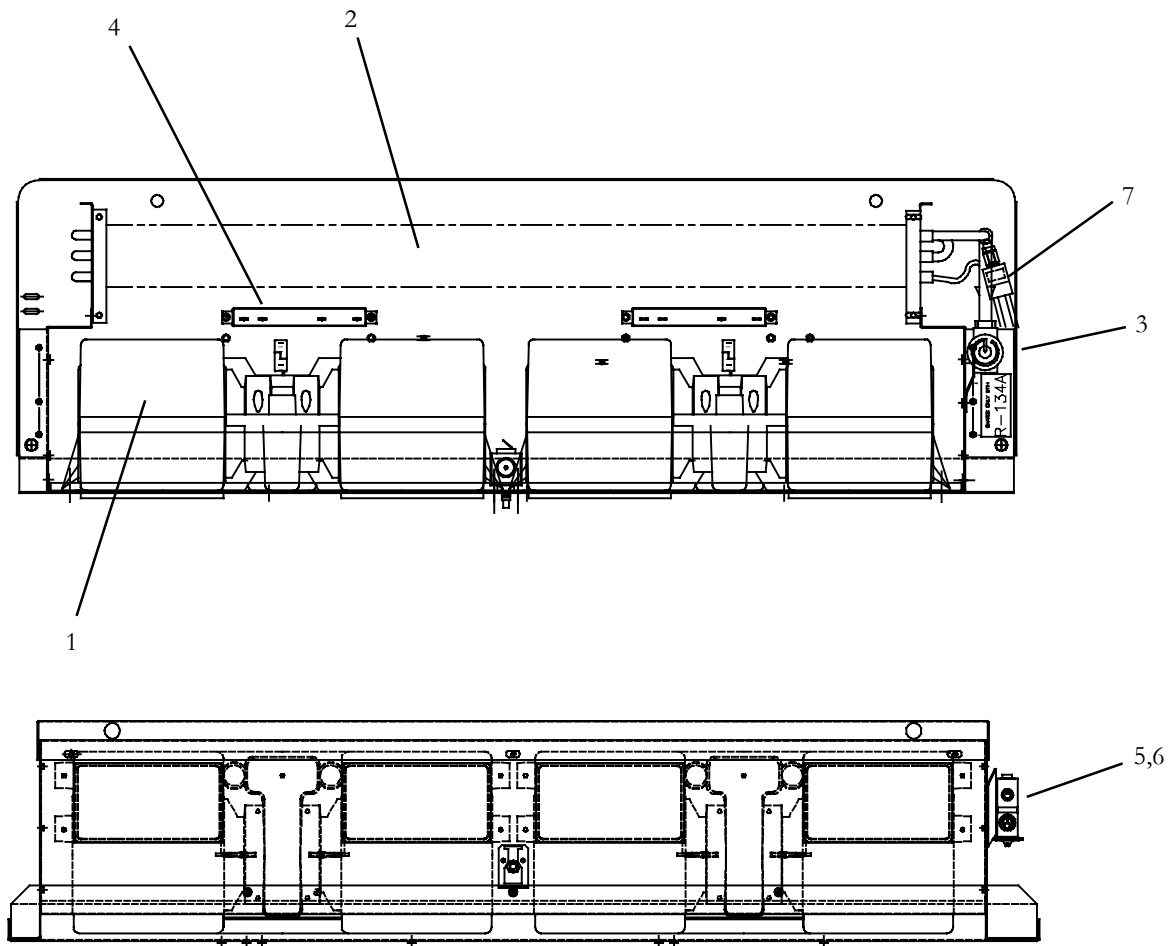
MODEL EM9 Gen IV 77-62180	Cover Kit (see Section 1.6.3)	Chassis Kit (see Section 1.6.1)	Wire Harness (see Section 1.6.2)
-00	-	1	1
-01	-	1	1
-10	1	1	2
-11	2	1	2
-12	1	1	2
-13	2	1	2
-20	2	1	2
-30	-	1	2
-31	-	1	2
-40	1	1	2
-41	3	1	2
-42	2	1	2
-90	-	1	2
-91	-	1	2

**OPTION TABLE - EM9 - GEN IV
24 VDC - 3 Speed**

MODEL EM9 Gen IV 77-62180	Cover Kit (see Section 1.6.3)	Chassis Kit (see Section 1.6.1)	Wire Harness (see Section 1.6.2)
-05	-	1	1
-06	-	1	1
-15	1	1	1
-16	2	1	1
-35	-	1	1
-36	-	1	1
-95	-	1	2
-96	-	1	2

NOTE: Units marked with a dash in matrix “Cover Kit” are supplied with evaporator grille and air filter only.

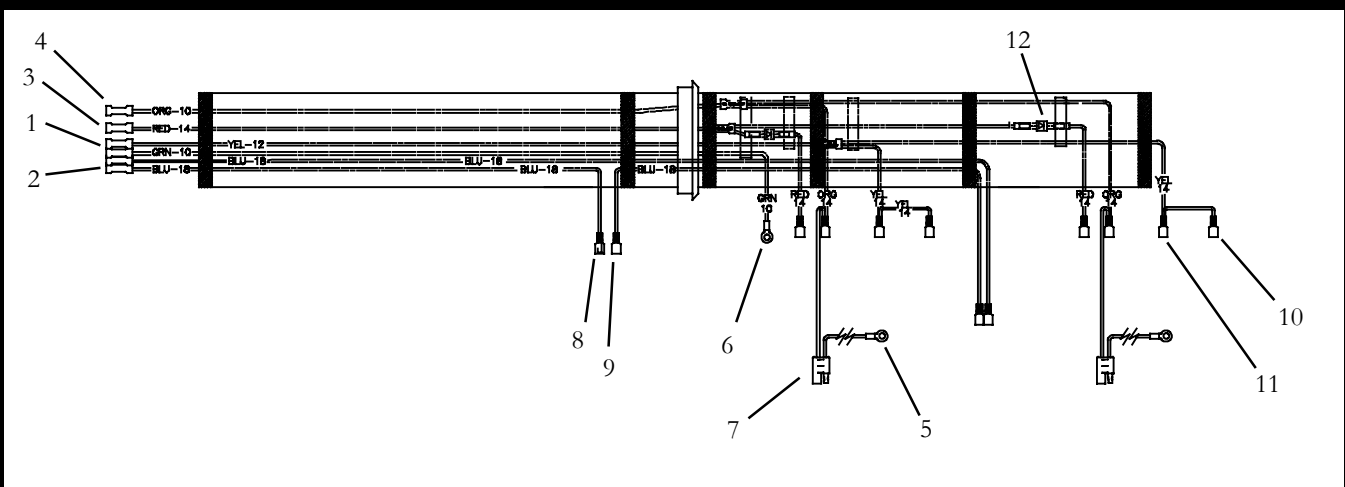
1.6.1 EVAPORATOR, EM-9, GEN IV, SIDE MOUNT, DUCTED (Common Parts): OPTION 1



Item	Part Number	Description	Qty
1	AC401-232Blower Assembly, 12 VDC	2
	AC401-233Blower Assembly, 24 VDC	2
2	08-62066-00	Coil, Evaporator, EM-9, 3 Row, Without Heat	1
	08-62065-00	Coil, Evaporator/Heater, EM-9, 3/1 Row, With Heat	1
3	AC201-501	Thermostat, Freeze-Up	1
4	76-62019-00	Resistor Kit, (1.8 Ohm, 4 Prong)	2
5	14-00397-00	Valve, Thermal Expansion, Block	1
6	AC801-202	O-Ring, 1/2 Inch HNBR	2
7	AC201-412	Switch, Low Pressure	1
8	AC801-416	Gasket, Foam, 1/8 X 12-3/4 X 300 Ft.	1

NOTE: Complete Wire Harnesses are Non-Stock Items. Replace Components are Listed.

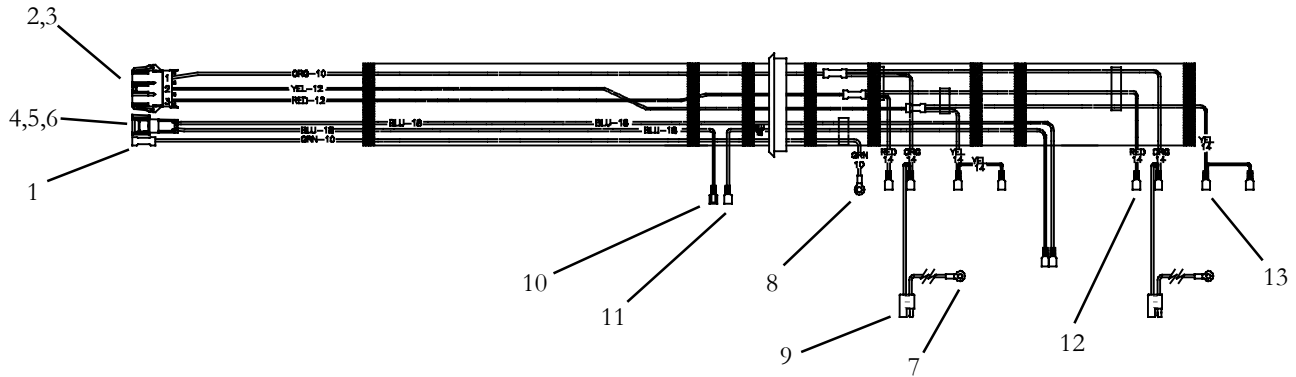
1.6.2 EM9 GEN-IV, Wire Harness 22-62226-00: OPTION 1



Item	Part Number	Description	Qty
1	22-00066-03	Terminal, Butt Splice, 10/12 AWG	2
2	22-00066-01	Terminal, Butt Splice, 22/18 AWG	2
3	N/A	Terminal, Butt Splice, Step Down, 14/16 AWG to 10/12 AWG	1
4	N/A	Terminal, Butt Splice, Step Down, 8 AWG to 10/12 AWG	1
5	N/A	Terminal Ring, #8 - 14/16 AWG	2
6	N/A	Terminal Ring, #8 - 10/12 AWG	1
7	AC201-905	Connector Assembly	2
8	22-01502-00	Terminal, Male, Push-on, Insulated, 1/4" - 22/18 AWG	1
9	22-02245-02	Terminal, Female, Push-on, Insulated, 1/4" - 22/18 AWG	3
10	N/A	Terminal, Female, Push-on, Insulated, 1/4" - 16/14 AWG	4
11	31-1247	Terminal, Female, Push-on, Insulated, 1/4" - 12/10 AWG	4
12	AC201-600	Diode, 6 Amp, 250V	2

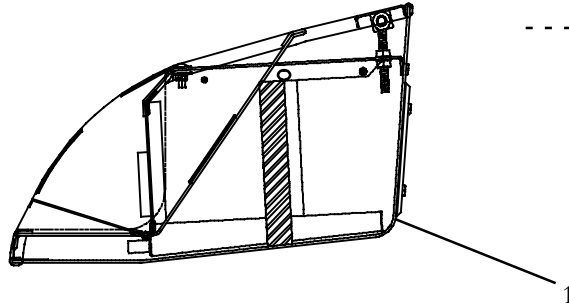
NOTE: Complete Wire Harnesses are Non-Stock Items. Replace Components are Listed.

1.6.2 EM9 GEN-IV, Wire Harness 22-62279-00: OPTION 2

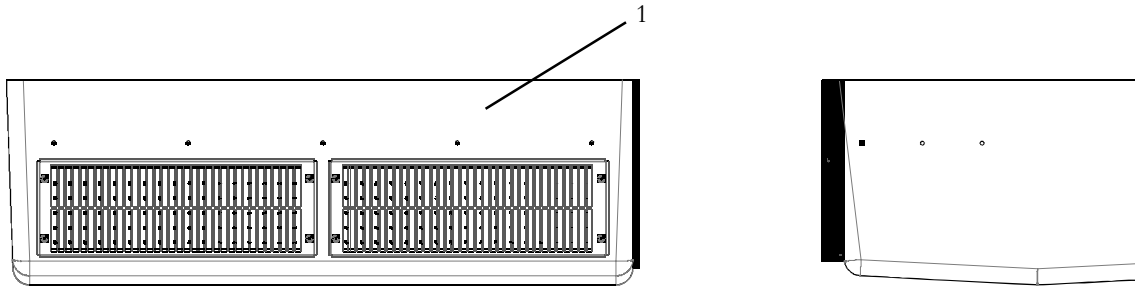


Item	Part Number	Description	Qty
1	22-00066-03	Terminal, Butt Splice, 10/12 AWG	2
2	22-50099-32	Connector, Plug Housing, 3 Way	1
3	22-50099-32A	Terminal, Male, 10/12 AWG	3
4	22-50099-37	Connector, Male, Unsealed, Metri-Pack 280	1
5	22-50099-37A	Terminal, Male, 16/18 AWG	2
6	22-50099-37D	TPA	1
7	N/A	Terminal Ring, #8 - 14/16 AWG	2
8	N/A	Terminal Ring, #8 - 10/12 AWG	1
9	AC201-905	Connector Assembly	2
10	22-01502-00	Terminal, Male, Push-on, Insulated, 1/4" - 22/18 AWG	1
11	22-02245-02	Terminal, Female, Push-on, Insulated, 1/4" - 22/18 AWG	3
12	N/A	Terminal, Female, Push-on, Insulated, 1/4" - 16/14 AWG	4
13	31-1247	Terminal, Female, Push-on, Insulated, 1/4" - 12/10 AWG	4

1.6.3 EVAPORATOR, EM-9, GEN 4, SIDE MOUNT, DUCTED , COVERS



OPTIONS 1 & 2



OPTION 3

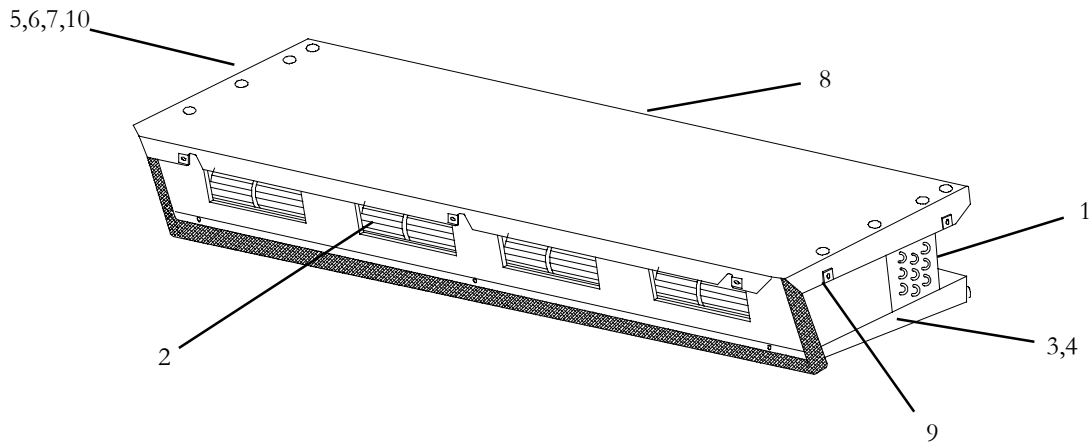
Item	Part Number	Description	Qty
1	N/A	Cover Assembly, White (Option 1)	1
	AC021-366	Cover Assembly, Gray (Option 2)	1
	Y28-00007-00	Cover Assembly, Gray, TBB (Option 3)	1
2	AC021-190-1	Grille, Evaporator	2
	AC021-190-2	Grille, Evaporator, Gray	2
3	38-00558-00	Filter, Air	2

SECTION 1.7 EM-14 EVAPORATORS
**OPTION TABLE - EM14 - GEN IV,
12 VDC - 3 Speed**

MODEL EM14 Gen IV 77-62181	Cover Kit (see Section 1.7.3)	Chassis Kit (see Section 1.7.1)	Wire Harness (see Section 1.7.2)
-00	-	1	1
-01	-	1	1
-02	-	1	1
-03	-	1	1
-10	1 & 2	1	1
-11	1 & 2	1	1
-12	1 & 2	1	2
-13	1 & 2	1	2
-20	1 & 2	1	1
-30	1 & 2	1	1
-31	1 & 2	1	1
-32	1 & 2	1	2
-50	1 & 3	1	1
-51	1 & 3	1	1
-53	1 & 3	1	2
-70	1 & 2	1	1
-80	-	1	1

**OPTION TABLE - EM14 - GEN IV
24 VDC - 3 Speed**

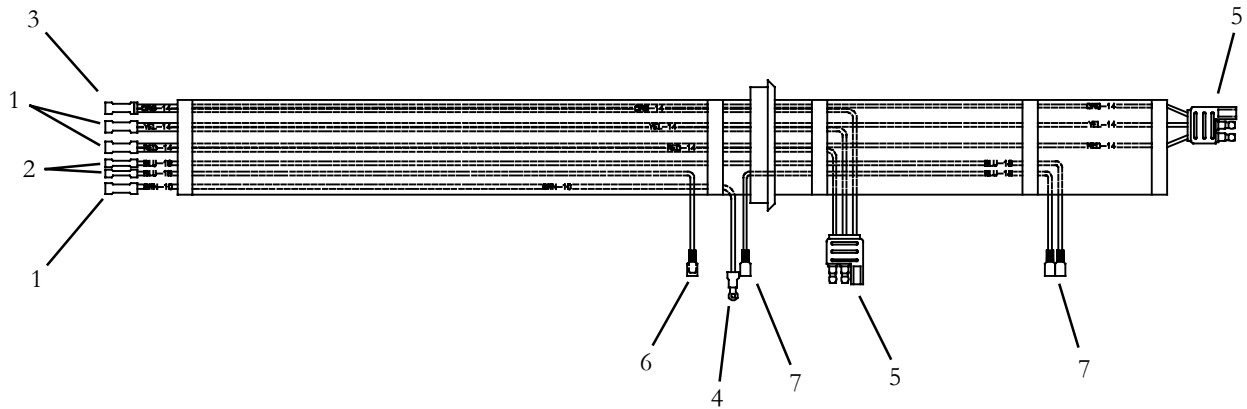
MODEL EM14 Gen IV 77-62181	Cover Kit (see Section 1.7.3)	Chassis Kit (see Section 1.7.1)	Wire Harness (see Section 1.7.2)
-05	-	1	1
-06	-	1	1
-07	-	1	1
-15	1 & 2	1	1
-16	1 & 2	1	1

SECTION 1.7 EM-14 EVAPORATORS
1.7.1 EVAPORATOR, EM-14, GEN 4 SERIES, FREE BLOW , REAR & SIDE MOUNT (Common Parts): OPTION 1


Item	Part Number	Description	Qty
1	08-62064-00	Coil Assembly, With Low Pressure Switch Connection	1
	08-62063-00	Coil Assembly, With Heat, With Low Pressure Switch Connection	1
2	AC401-203	Blower Assembly, 12 VDC	2
	AC401-204	Blower Assembly, 24 VDC	2
3	79-62129-00	Drain Pan, Assembly, (Foamed)	1
4	AC022-746	Baffle, Foam, EM-14 Drain Pan	1
5	AC201-501	Thermostat, Freeze-Up	1
6	14-00397-00	Valve, Thermal Expansion, R134a	1
7	AC801-202	O-Ring, 1/2 Inch	2
8	AC801-461	Filter, return Air, 28-1/2 X 5 Inches	1
9	AC701-123	Tinnerman Clip, Hi-Torque #10AB	7
10	AC201-412	Switch, Low Pressure	1

NOTE: Complete Wire Harnesses are Non-Stock Items. Replace Components are Listed.

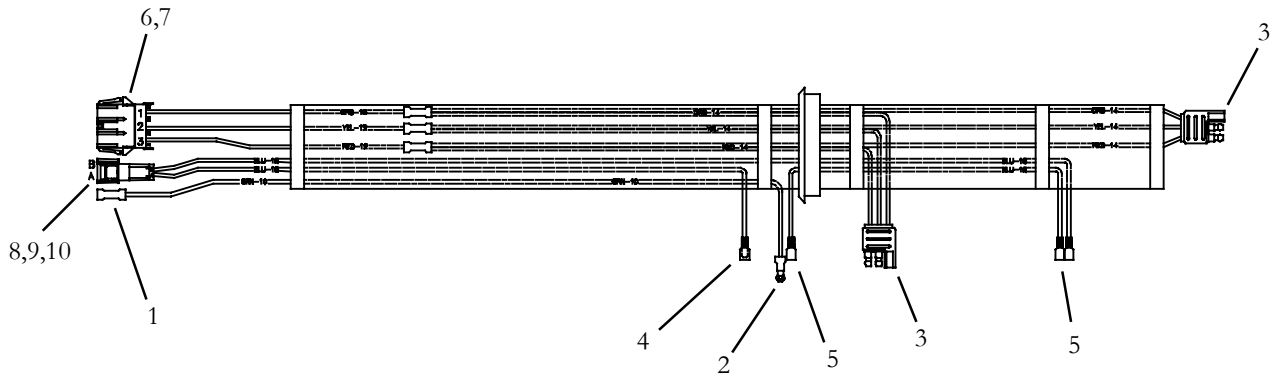
1.7.2 EM14, Wire Harness 22-62223-00: OPTION 1



Item	Part Number	Description	Qty
1	22-00066-03	Terminal, Butt Splice, 10/12 AWG	3
2	22-00066-01	Terminal, Butt Splice, 22/18 AWG	2
3	N/A	Terminal, Butt Splice, Step Down, 8 AWG to 10/12 AWG	1
4	22-01140-02	Terminal Ring, #10 - 10/12 AWG	1
5	22-62002-00	Connector Assembly	2
6	22-01502-00	Terminal, Male, Push-on, Insulated, 1/4" - 22/18 AWG	1
7	22-01258-01	Terminal, Female, Push-on, Insulated, 1/4" - 22/18 AWG	3

NOTE: Complete Wire Harnesses are Non-Stock Items. Replace Components are Listed.

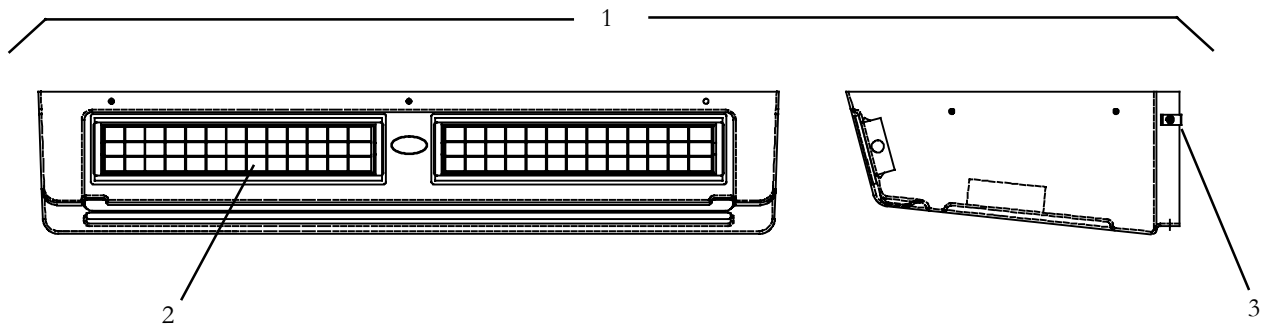
1.7.2 EM14, Wire Harness 22-62285-00: OPTION 2



Item	Part Number	Description	Qty
1	22-00066-03	Terminal, Butt Splice, 10/12 AWG	1
2	22-01140-02	Terminal Ring, #10 - 10/12 AWG	1
3	22-62002-00	Connector Assembly	2
4	22-01502-00	Terminal, Male, Push-on, Insulated, 1/4" - 22/18 AWG	1
5	22-01258-01	Terminal, Female, Push-on, Insulated, 1/4" - 22/18 AWG	3
6	22-50099-32	Connector, Plug Housing 3-Way, Molex	1
7	22-50099-32A	Terminal, Male 10/12 AWG, Molex	3
8	22-50099-37	Connector, Male Unsealed, M/P 280 Series	1
9	22-50099-37A	Terminal, Male, 16/18 AWG	2
10	22-50099-37D	TPA	1

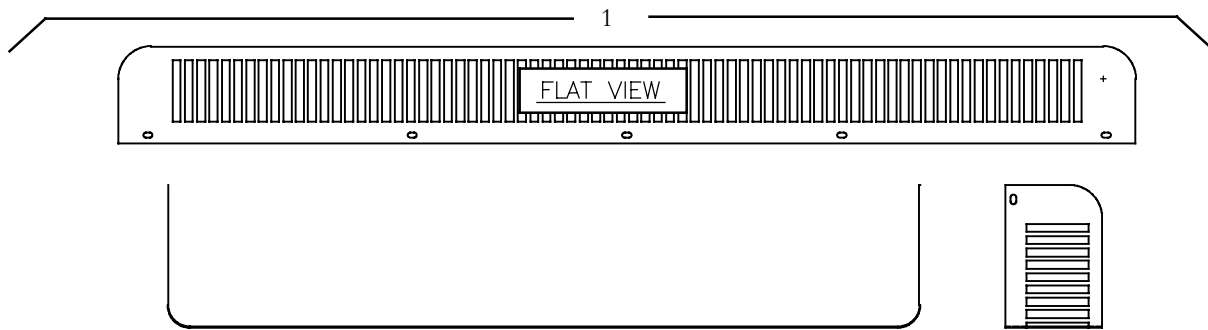


1.7.3 EVAPORATOR, EM-14, FREE BLOW, REAR & SIDE MOUNT COVER ASSEMBLY, OPTION 1



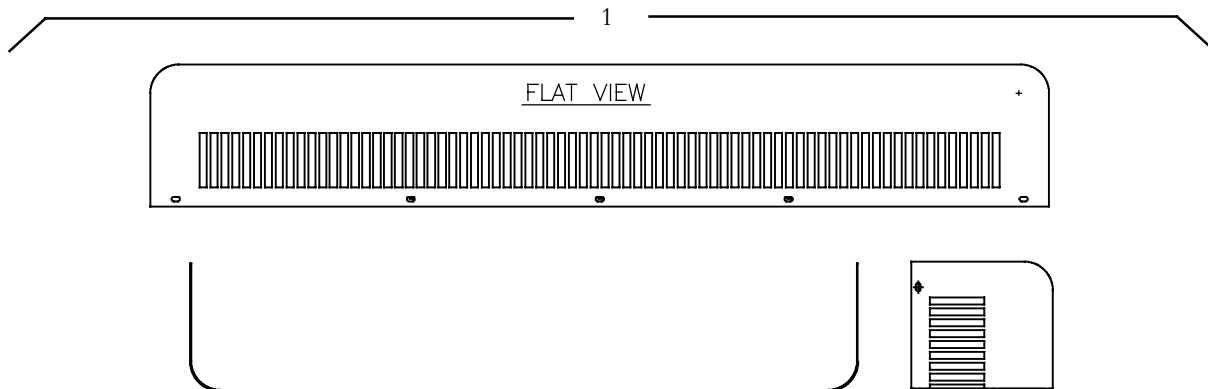
Item	Part Number	Description	Qty
1	N/A	Cover Assembly, EM14, White, Includes:	1
	79-62070-01	Cover Assembly, EM14, Gray, Includes	1
2	AC401-320	Diffuser, Air	2
3	AC701-106	Clip, Tinnerman, 1/4" - 20	2

1.7.3 EVAPORATOR, EM-14, FREE BLOW, REAR MOUNT GRILLE, RETURN AIR, OPTION 2



Item	Part Number	Description	Qty
1	AC022-254	Grill, Return Air, Rear Mount	1

1.7.3 EVAPORATOR, EM-14, FREE BLOW, SIDE MOUNT GRILLE, RETURN AIR, OPTION 3



Item	Part Number	Description	Qty
1	AC022-296	Grill, Return Air, Side Mount	1

SECTION 1.8 EM-17 EVAPORATORS
**OPTION TABLE - EM17 - GEN IV,
24 VDC - Manual Control**

MODEL EM17 Gen IV 77-62000	Chassis Kit <small>(see Section 1.8.1)</small>	Wire Harness <small>(see Section NO TAG)</small>
-10	3	2
-20	1	2
-22	1	2
-24	1	2
-30	4	1

**OPTION TABLE - EM17 - GEN IV
24 VDC - Enviromate**

MODEL EM17 Gen IV Y19-E1701	Chassis Kit <small>(see Section 1.8.1)</small>	Wire Harness <small>(see Section NO TAG)</small>
-00	3	2

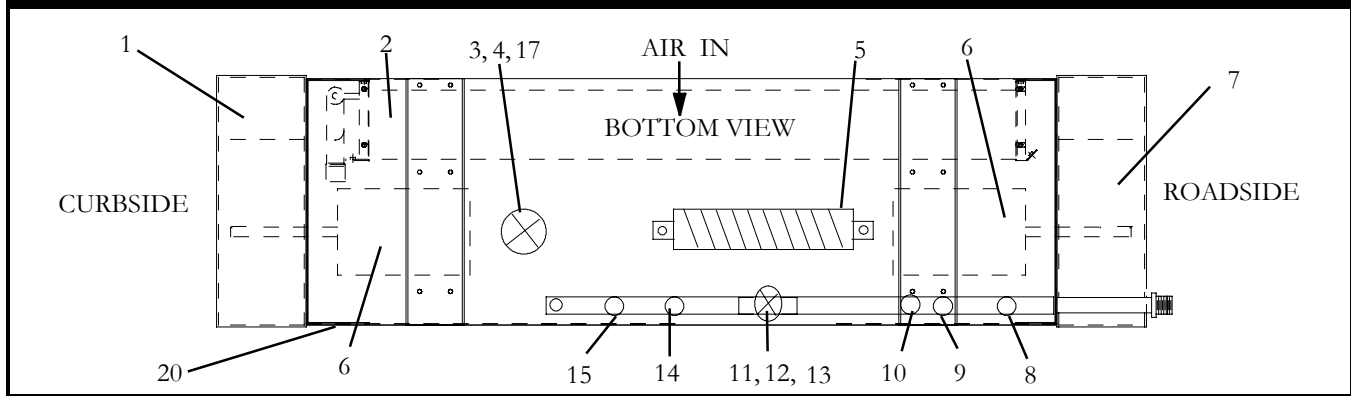
**OPTION TABLE - EM17 - GEN IV
24 VDC - Enviromate**

MODEL EM17 Gen IV Y19-E1702	Chassis Kit <small>(see Section 1.8.1)</small>	Wire Harness <small>(see Section NO TAG)</small>
-00	4	1



SECTION 1.8 EM-17 EVAPORATORS

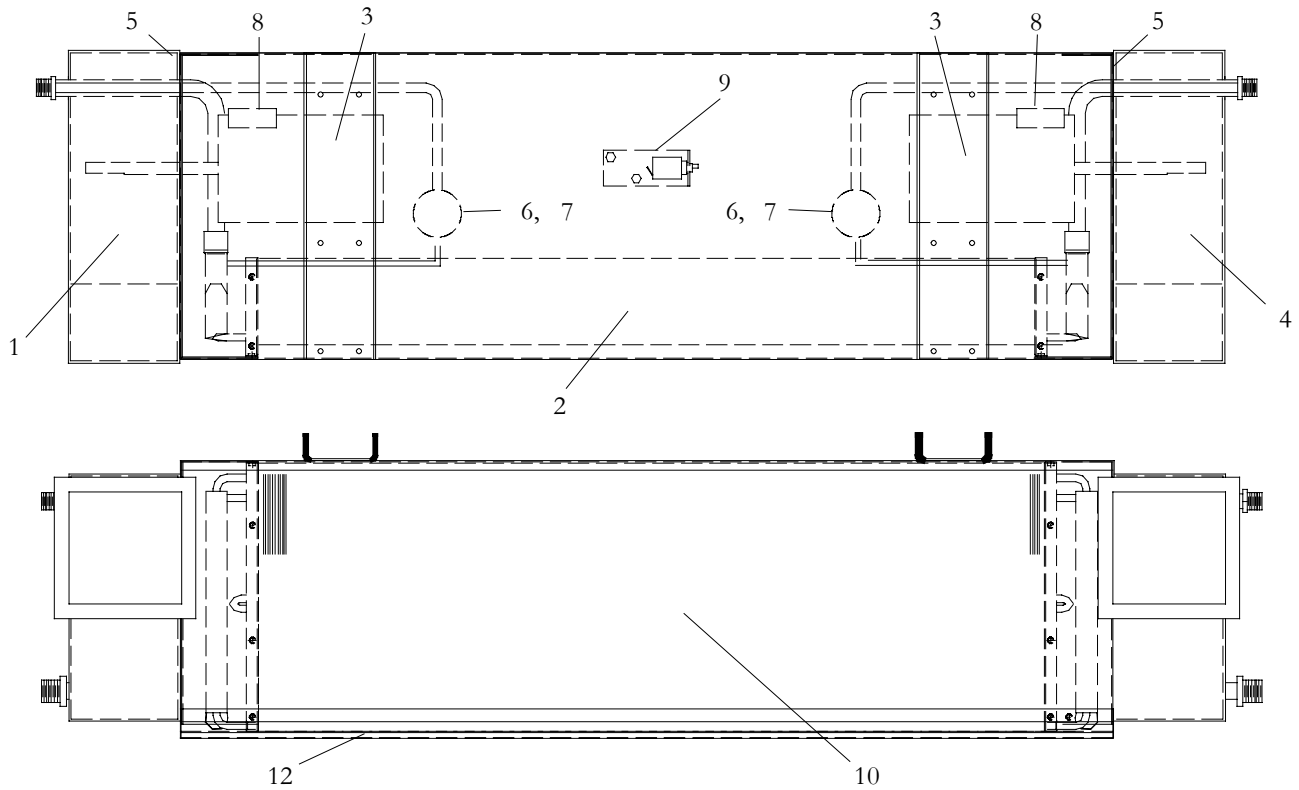
1.8.1 EVAPORATOR, EM-17, SINGLE LOOP, GEN 4 SERIES : OPTION 1



Item	Part Number	Description	Qty
1	AC401-215	Blower Wheel, (Roadside)	1
2	21-2041	Coil Assembly, Evaporator, Cool Only (Was 08-62006-00)	1
	08-62023-00	Coil Assembly, Evaporator, With Heat	1
3	66U1-1214-5	Flange, Body, (TXV)	1
4	14-01104-39	Valve, Thermal Expansion, R134a	1
5	22-01584-00	Resistor, With Bracket, (420 Watts)	1
6	AC501-122	Motor, Evaporator, (Lesson) - Includes:	2
N/S	22-50091-00Brush, Motor	2
N/S	04-50023-00Bearing, Motor	2
7	AC401-220	Blower Wheel, (Curbside)	1
8	12-00299-02	Switch, Pressure, UPS3	1
9	12-00299-18	Switch, Pressure, CFS1	1
10	12-00299-09	Switch, Pressure, CFS2	1
11	AC101-422	Valve, Solenoid, 5/8 Inch, Less Coil	1
12	22-50030-00	Coil, Solenoid, 24 VDC	1
13	14-50047-00	Repair Kit For Solenoid Valve AC101-422	1
14	12-00334-03	Switch, Pressure, UPS1. (R134a)	1
15	12-00334-02	Switch, Pressure, UPS2, (R134a)	1
16	AC801-443	Filter, Return Air (41.5" X 12.5")	1
17	AC021-344	Equalizer Tube, TXV	1
18	40-00491-15	Fitting, ORS, #10 X 2.11 X 5/8 Tube	1
19	40-00491-01	Fitting, ORS, #20 X 1.70 X 1-1/8 Tube	1
20	AC022-314	Baffle, Drain Pan	1



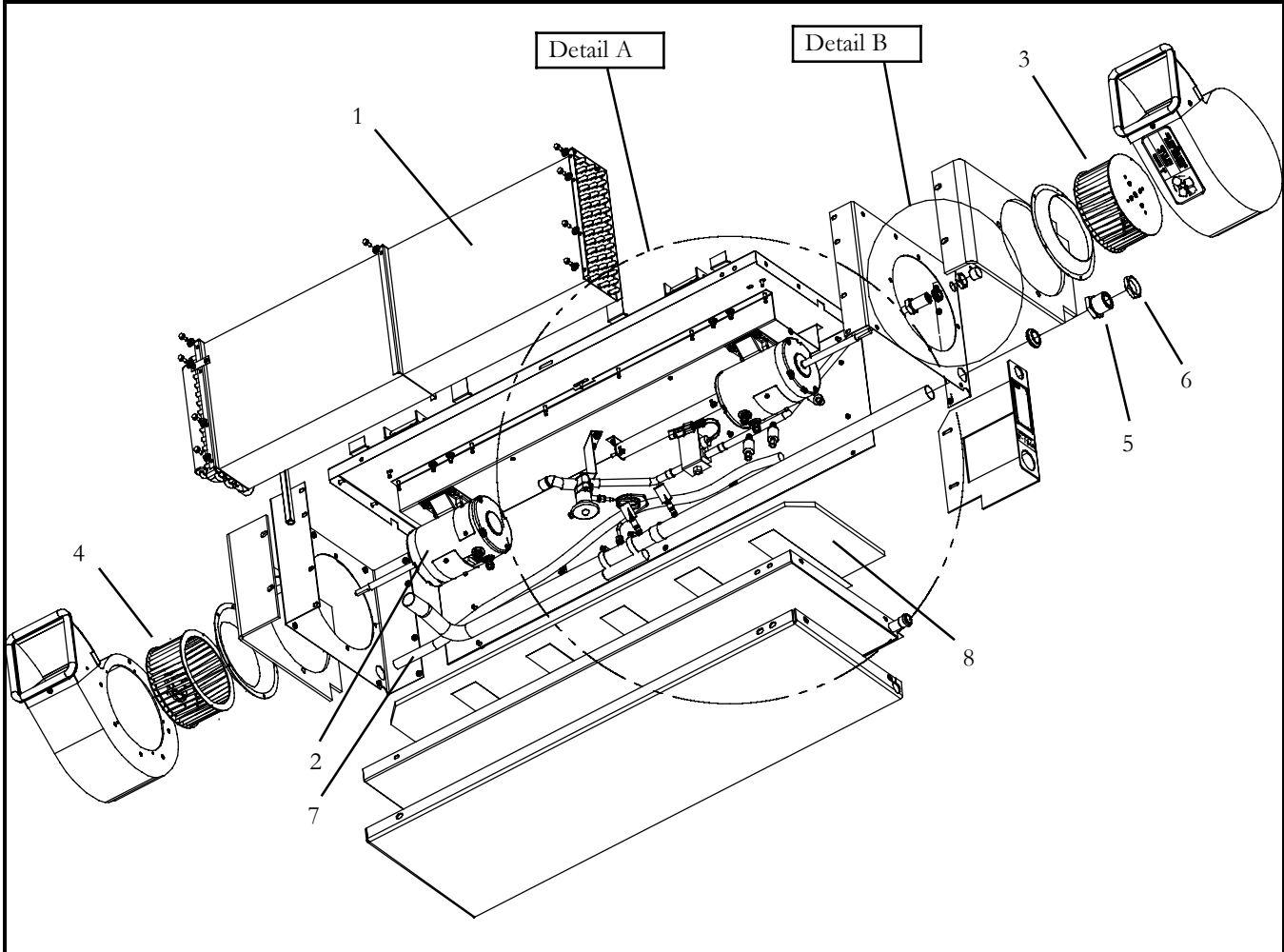
1.8.1 EVAPORATOR, EM-17, DUAL LOOP, GEN 4 SERIES : OPTION 2



Item	Part Number	Description	Qty
1	AC401-215	Blower Wheel, Right, (Roadside)	1
2	N/A	Coil Assembly, Split	1
3	AC501-122	Motor, Evaporator, (Leeson) - Includes:	2
N/S	22-50091-00Brush, Motor	2
N/S	04-50023-00Bearing, Motor	2
4	AC401-220	Blower Wheel, (CurbSide),	1
5	AC401-217	Venturi Ring	2
6	66U1-1214-5	Flange Body, 1/2 ODF X 5/8 ODF, (TXV)	2
7	14-01104-37	Valve, Thermal Expansion, 2.5 Ton, No-MOP	2
8	12-00299-01	Switch, Pressure, Low	2
9	AC201-501	Thermostat, Freeze-Up, Dual Sensor	1
10	AC801-443	Filter, Return Air (41.5 X 12.5 Inches)	1
11	56-62123-00	Tube, Equalizer	1
12	AC022-314	Baffle, Drain Pan	1



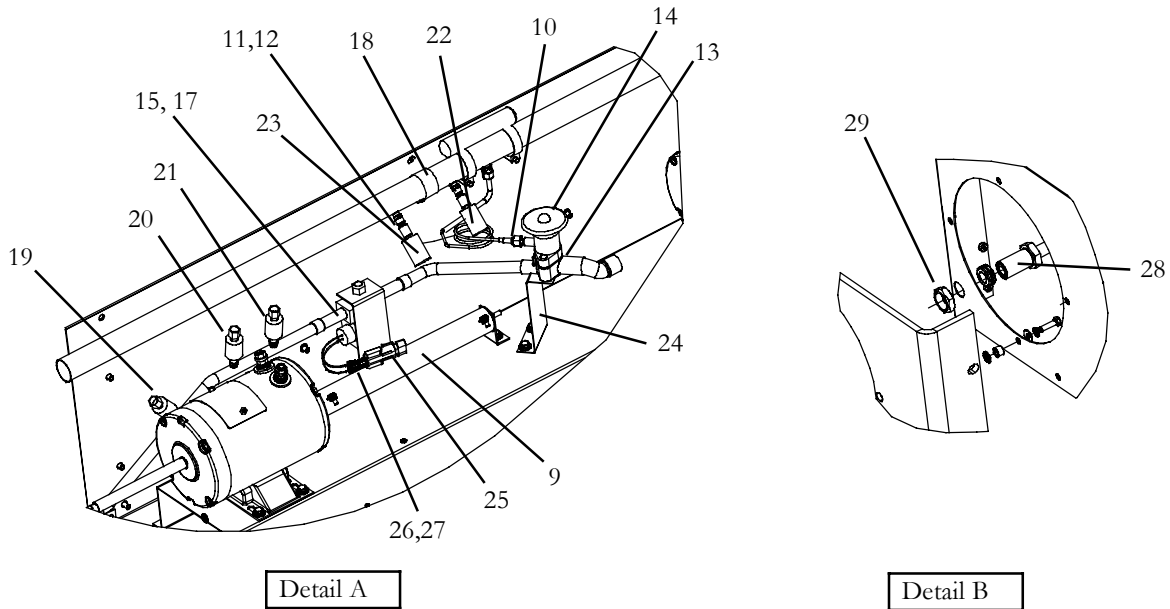
1.8.1 EVAPORATOR, EM-17, CHASSIS KITS 77-62000-11 & Y53-E1701-00: OPTION 3



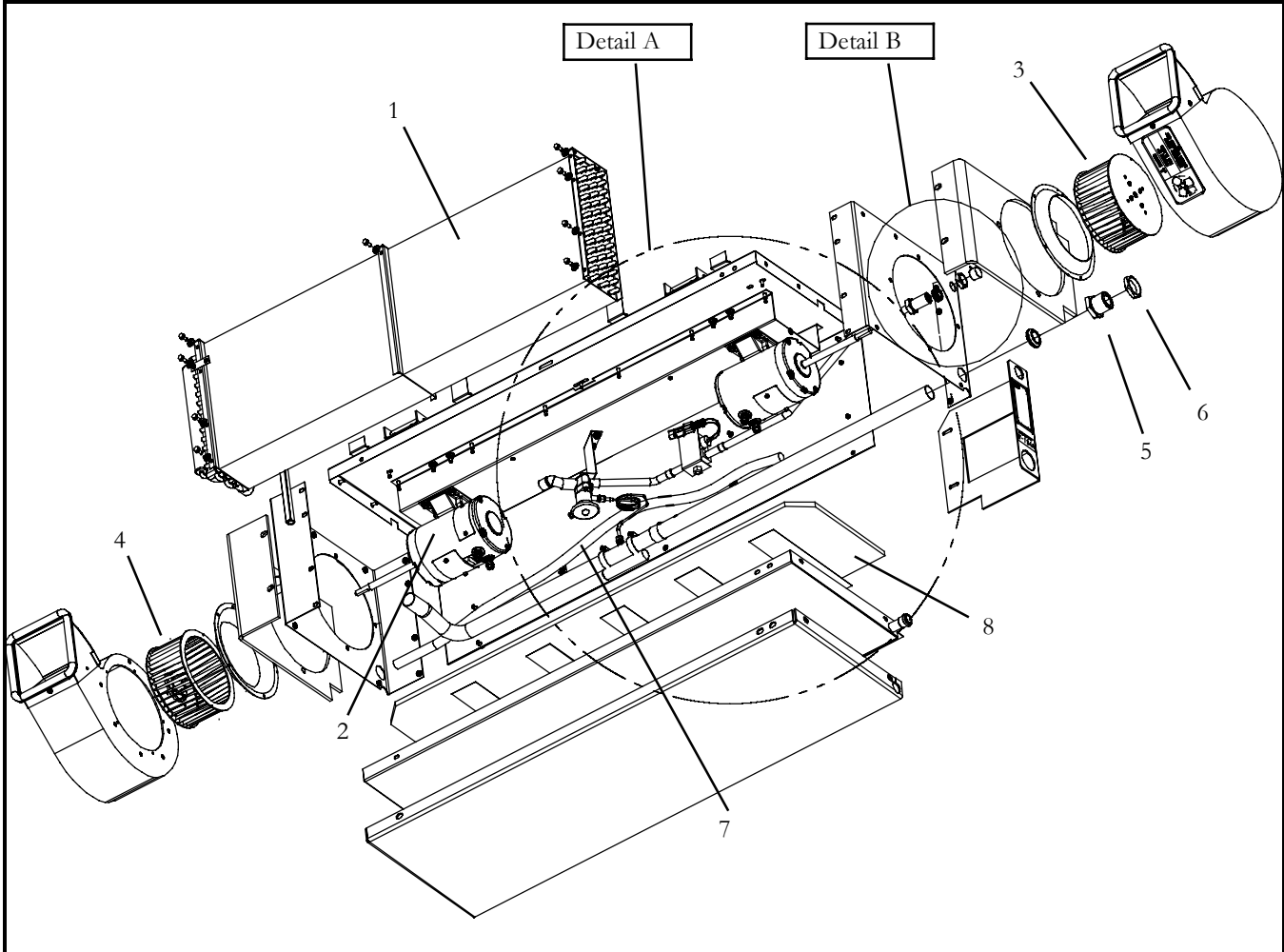
Item	Part Number	Description	Qty
1	21-2041	Coil, Evaporator, (Was 08-62006-00)	1
2	AC501-122	Motor, Evaporator, (Leeson) - Includes:	2
N/S	22-50091-00Brush, Motor	2
N/S	04-50023-00Bearing, Motor	2
3	AC401-215	Blower Wheel, Roadside	1
4	AC401-220	Blower Wheel, Curbside	1
5	40-00491-01	Fitting, 1-11/16 ORS	1
6	34-06088-01	Nut, Hex, 1-5/8-12 ORS	1
7	22-62035-00	Wire Harness	1
8	AC022-314	Baffle, Drain Pan	1
N/S	AC801-443	Filter, Return Air	1



1.8.1 EVAPORATOR, EM-17, CHASSIS KITS 77-62000-11 & Y53-E1701-00: OPTION 3 (Continued)



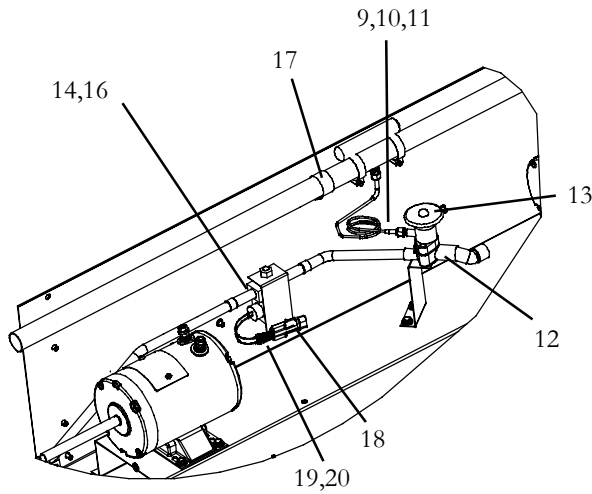
Item	Part Number	Description	Qty
9	22-01584-00	Resistor, w/Bracket	1
10	56-62134-00	Tube Assy, Equalizer	1
11	14-00351-00	Core, Schrader	5
12	40-01124-00	Valve Body, Schrader (solder to 1/4" flare)	6
13	66-U--1--1214-5	Body, Flange TXV	1
14	14-01104-39	Valve, Thermal Expansion	1
15	AC101-422	Valve, Liquid Line Solenoid, (Less Coil)	1
16	14-50047-00	Repair Kit For Solenoid Valve AC101-422	1
17	22-50030-00	Coil, 24VDC	1
18	44-00337-12	Clamp, Cushioned, 1.125 ID (High Temp)	1
19	12-00299-02	Pressure Switch, CFS2	1
20	12-00299-18	Pressure Switch, CFS1	1
21	12-00299-09	Pressure Switch,UPS3	1
22	12-00334-02	Pressure Switch, UPS2	1
23	12-00334-03	Pressure Switch,UPS1	1
24	AC021-348	Bracket, TXV	1
25	22-02392-01	Connector, 2 Pin Weatherpac	1
26	22-02393-01	Terminal, Male (18-20 AWG)	2
27	22-02394-01	Seal, Cable	2
28	40-00491-15	Fitting, 5/8 ODF x 1.00 ORS	1
29	34-06088-04	Nut, Hex, ORS 1-14	1

1.8.1 EVAPORATOR, EM-17, CHASSIS KITS 77-62000-31 & Y53-E1702-00: OPTION 4


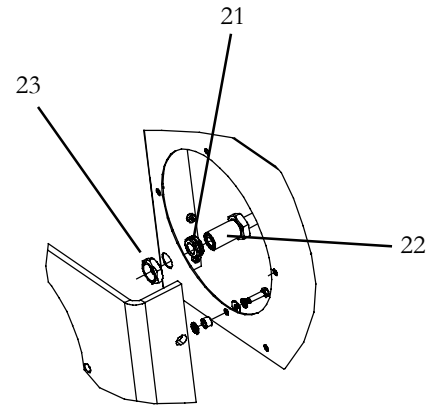
Item	Part Number	Description	Qty
1	21-2041	Coil, Evaporator, (Was 08-62006-00)	1
2	AC501-122	Motor, Evaporator, (Leeson) - Includes:	2
N/S	22-50091-00Brush, Motor	2
N/S	04-50023-00Bearing, Motor	2
3	AC401-215	Blower Wheel, Roadside	1
4	AC401-220	Blower Wheel, Curbside	1
5	40-00491-01	Fitting, 1-11/16 ORS	1
6	34-06088-01	Nut, Hex, 1-5/8-12 ORS	1
7	22-62333-00	Wire Harness	1
8	AC022-314	Baffle, Drain Pan	1
N/S	AC801-443	Filter, Return Air	1



1.8.1 EVAPORATOR, EM-17, CHASSIS KITS 77-62000-31 & Y53-E1702-00: OPTION 4 (Continued)



Detail A



Detail B

Item	Part Number	Description	Qty
9	56-62134-00	Tube Assy, Equalizer	1
10	14-00351-00	Core, Schrader	5
11	40-01124-00	Valve Body, Schrader (solder to 1/4" flare)	6
12	66-U---1--1214-5	Body, Flange TXV	1
13	14-01104-39	Valve, Expansion	1
14	AC101-422	Valve, Liquid Line Solenoid, (Less Coil)	1
15	14-50047-00	Repair Kit For Solenoid Valve AC101-422	1
16	22-50030-00	Coil, 24VDC	1
17	44-00337-12	Clamp, Cushioned, 1.125 ID (High Temp)	1
18	22-02392-01	Connector, 2 Pin Weatherpac	1
19	22-02393-01	Terminal, Male (18-20 AWG)	2
20	22-02394-01	Seal, Cable	2
21	58-00065-27	Grommet, .62 ID x .88 OD	1
22	40-00491-15	Fitting, 5/8 ODF x 1.00 ORS	1
23	34-06088-04	Nut, Hex, ORS 1-14	1



NOTE: Complete Wire Harnesses are Non-Stock Items. Replace Components are Listed.

1.8.2 EVAPORATOR, EM-17, WIRE HARNESS, OPTION 1



REF: 22-62333-00

Item	Part Number	Description	Qty
1	22-01585-00	Connector, Tower, Weatherpac	1
2	22-01566-01	Terminal, Female, 18-20 AWG	6
3	22-02394-02	Seal, Weatherpac	8
4	22-02392-00	Connector, Shroud, Weatherpac	1
5	22-02393-01	Terminal, Male, 18-20 AWG	2
6	22-01140-02	Terminal, Ring, #10 - 12 AWG	4
7	22-00119-05	Terminal, Ring, 5/16" - 12 AWG	4



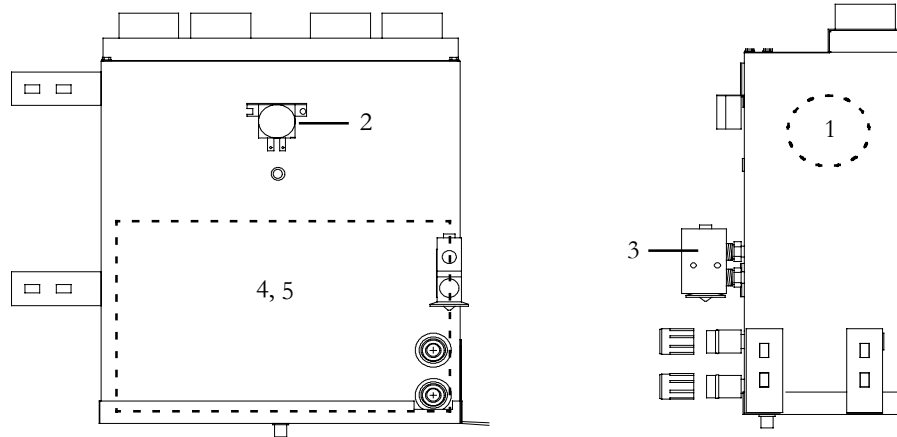
NOTE: Complete Wire Harnesses are Non-Stock Items. Replace Components are Listed.

1.8.3 EVAPORATOR, EM-17, WIRE HARNESS, OPTION 2



REF: 22-62035-00

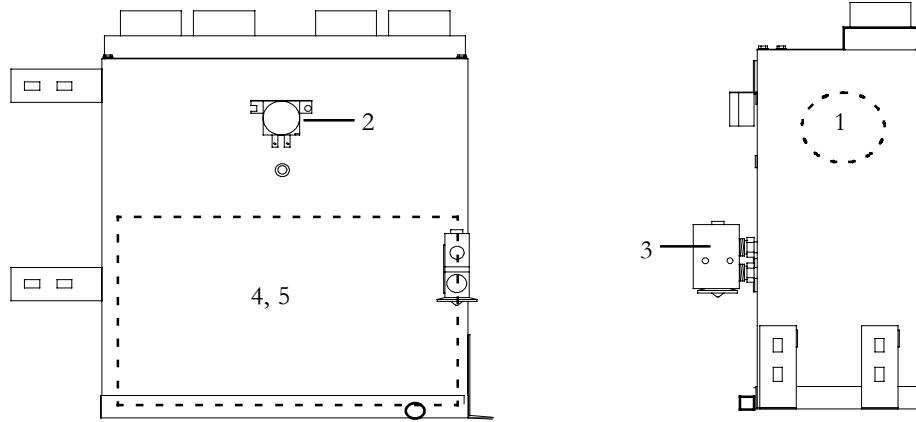
Item	Part Number	Description	Qty
1	AC201-951	Connector, Tower, 6 Way Weatherpac	1
2	22-01566-01	Terminal, Female, 18-20 AWG	18
3	22-02394-02	Seal, Weatherpac	24
4	AC201-952	Connector, Shroud, 6 Way Weatherpac	1
5	22-02393-01	Terminal, Male, 18-20 AWG	6
6	22-01140-02	Terminal, Ring, #10 - 12 AWG	4
7	22-00119-05	Terminal, Ring, 5/16" - 12 AWG	4
8	22-00872-01	Terminal, Ring, #10 - 8 AWG	2

SECTION 1.9 EM-23 EVAPORATORS
1.9.1 EVAPORATOR KIT, EM-23, HEAT/COOL (77-62725-00)


Item	Part Number	Description	Qty
1	54-50107-00	Blower & Motor Assembly, 12 VDC	1
2	12-50139-00	Switch, Freeze Thermostat	1
3	14-00397-00	Valve, Expansion, TXV, Block Type	1
4	N/A	Coil Assembly, Cool/Heat, Evaporator	1
N/S	58-50119-00	Hose Assembly, Discharge, 10MM x 6.58	1
N/S	58-50120-00	Hose Assembly, Liquid Refrigerant, 8MM x 7.17	1
N/S	AC101-311	Drier, Switch Port-Receiver (Superseded from 14-50098-00)	1
N/S	N/A	Switch, Hi/Low Pressure	1
N/S	58-50121-00	Hose Assembly, Liquid Refrigerant, 8MM x 3.00	1
N/S	58-50122-00	Hose Assembly, Suction, 5/16 x 25.25	1
5	38-50032-00	Filter, Evaporator, (.44 Thick x 12.00 x 12.00 Inches)	1
N/S	N/A	Control Head, IC, EM-23 Heat/Cool - Includes:	1
N/S	10-50067-00Switch, AC, Heat & Vent, 3 Position	1
N/S	10-50068-00Switch, Blower Speed Control, 4 Position	1
N/S	10-50069-00Relay, High Speed & Power	2
N/S	N/A	Kit, Parts, Installation - Includes:	1
N/S	AC801-412F25Gasket, Trimlock, Black (25 Ft. Roll)	1
N/S	42-00032-00Tape, Insulation, Presstite, 2.00 Inch X 30 Feet Long	1
N/S	AC301-240Kazoo, Condensate Valve, 5/8 O.D.	1
N/S	14-50097-00Valve, Solenoid, Water, 1/2 Inch NPT (Includes Solenoid Coil)	1
N/S	AC201-105Breaker, Circuit, 20 Amp (Manual Reset)	2
N/S	58-50116-00Louver, Rectangular	3
N/S	23-0582Louver Assembly, Vane, With 2-1/2" Adaptor (Superseded from 58-50117-00)	1



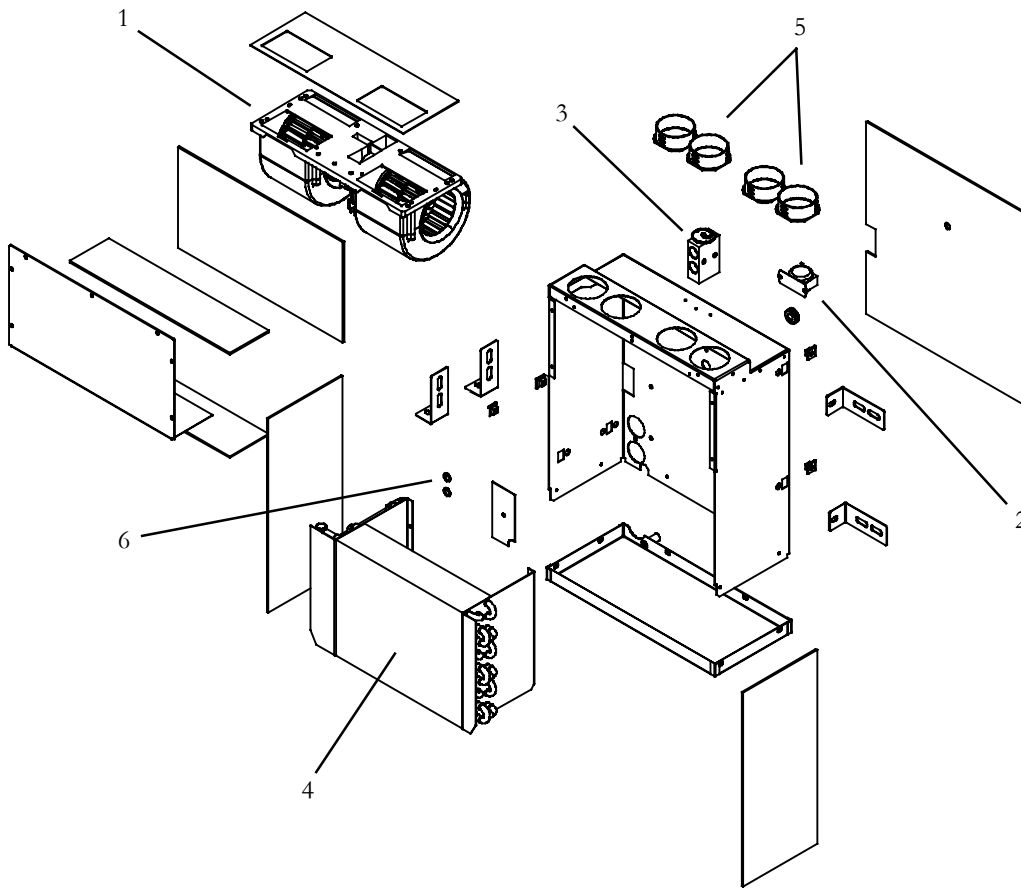
1.9.2 EVAPORATOR KIT, EM-23 - COOL ONLY (77-62204-00)



Item	Part Number	Description	Qty
1	54-50107-00	Blower & Motor Assembly, 12 VDC	1
2	12-50139-00	Switch, Freeze Thermostat	1
3	14-00397-00	Valve, Expansion, TXV, Block Type	1
4	N/A	Coil Assembly, Cool Only, Evaporator	1
N/S	58-50119-00	Hose Assembly, Discharge, 10MM x 6.58	1
N/S	58-50120-00	Hose Assembly, Liquid Refrigerant, 8MM x 7.17	1
N/S	AC101-311	Drier, Switch Port-Receiver (Superseded from 14-50098-00)	1
N/S	N/A	Switch, Hi/Low Pressure	1
N/S	58-50121-00	Hose Assembly, Liquid Refrigerant, 8MM x 3.00	1
N/S	58-50122-00	Hose Assembly, Suction, 5/16 x 25.25	1
5	38-50032-00	Filter, Evaporator, (.44 Thick x 12.00 x 12.00 Inches)	1
N/S	N/A	Kit, Parts, Installation - Includes:	1
N/S	AC801-412F25Gasket, Trimlock, Black (25 Ft. Roll)	1
N/S	42-00032-00Tape, Insulation, Presstite, 2.00 Inch X 30 Feet Long	1
N/S	AC301-240Kazoo, Condensate Valve, 5/8 O.D.	1
N/S	AC201-105Breaker, Circuit, 20 Amp (Manual Reset)	2
N/S	N/A	Kit, Duct, IC - Includes:	1
N/S	23-0582Louver Assembly, Vane, With 2-1/2" adapter (Superseded from 58-50117-00)	4



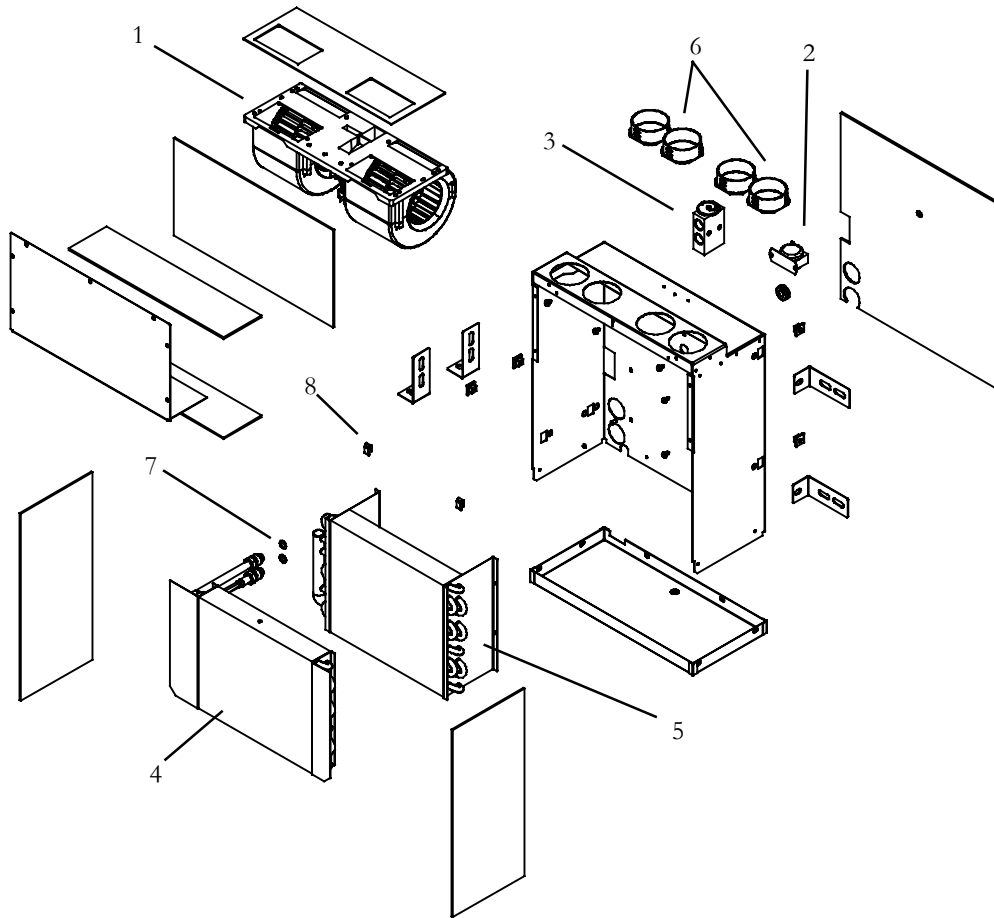
1.9.3 EVAPORATOR KIT, EM-23 - COOL ONLY 13-20323



Item	Part Number	Description	Qty
1	15-1505	Blower & Motor Assembly, 12 VDC	1
2	25-1163	Switch, Freeze Thermostat	1
3	26-0190	Valve, Expansion, TXV, Block Type	1
4	21-1948	Coil Assembly, Evaporator	1
5	23-0038	Hose Adaptor, 2.5"	4
6	27-0602	O-Rings, #8	2



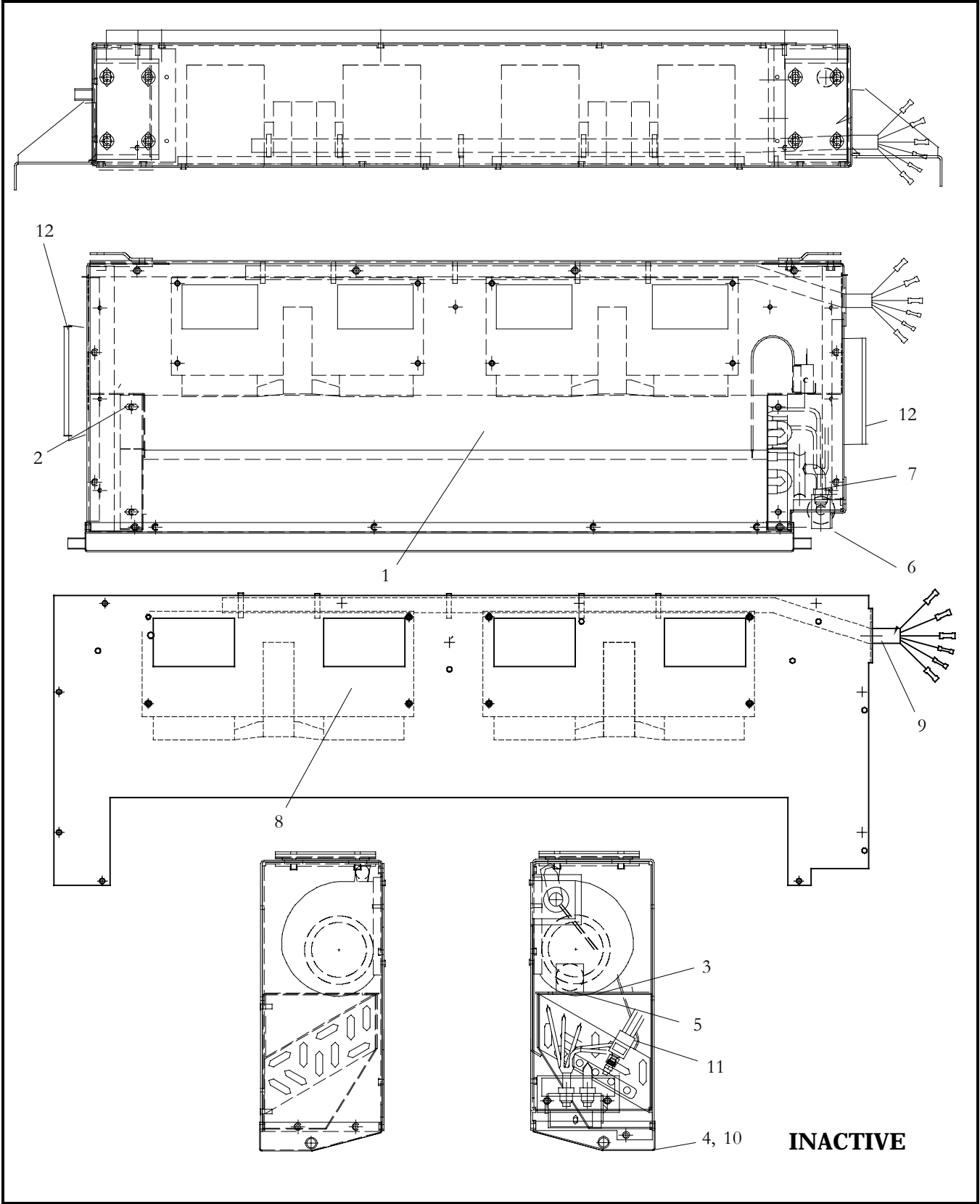
1.9.4 EVAPORATOR KIT, EM-23 - HEAT/COOL 13-20301



Item	Part Number	Description	Qty
1	15-1505	Blower & Motor Assembly, 12 VDC	1
2	25-1163	Switch, Freeze Thermostat	1
3	26-0190	Valve, Expansion, TXV, Block Type	1
4	21-1948	Coil Assembly, Evaporator	1
5	22-1245	Coil Assembly, Heater	1
6	23-0038	Hose Adaptor, 2.5"	4
7	27-0602	O-Rings, #8	2
8	29-0437	Panel, Coil Clip	2

SECTION 1.10 IW-1 IN-WALL EVAPORATORS

1.10.1 EVAPORATOR, IW-1, (77-62081-11)



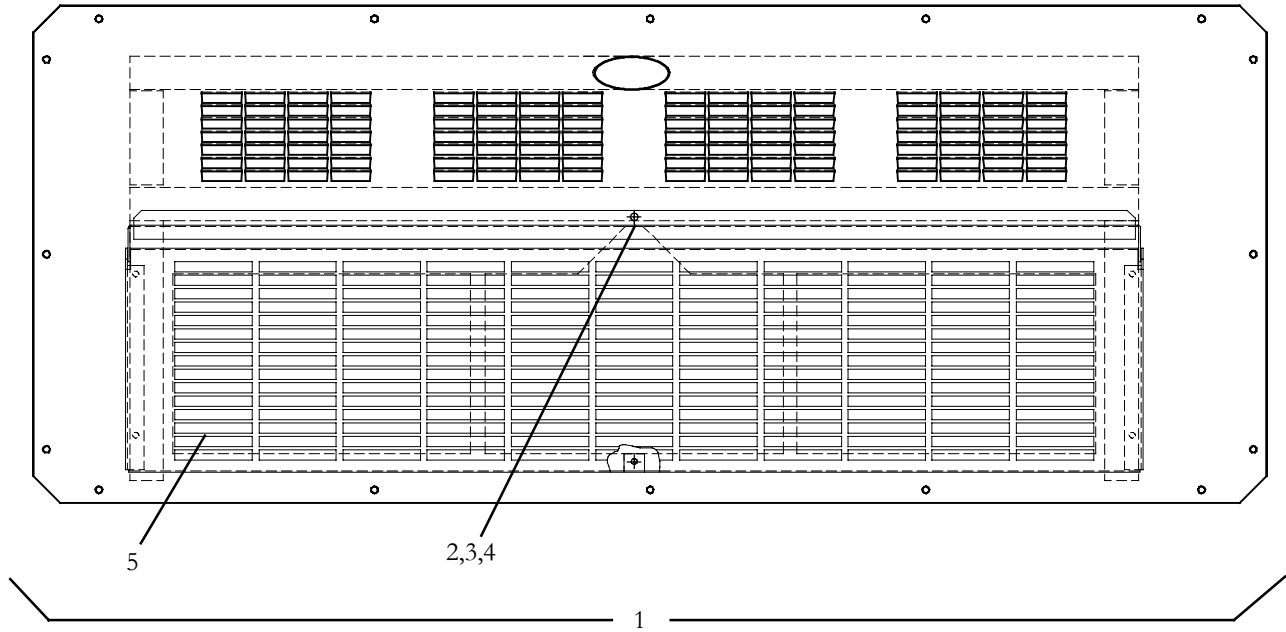
INACTIVE



1.10.1 EVAPORATOR, IW-1, (77-62081-11) - Continued:			
Item	Part Number	Description	Qty
1	08-01068-00	Coil Assembly, EM-1, GEN V	1
2	AC701-101	Clip, Tinnerman, 1/4-20	4
3	AC801-300	Bushing, Universal, 1 Inch	1
4	AC022-746-1	Gasket, Drain Pan, .50 Thick X 5.50 33.25	1
5	12-00685-00	Thermostat, Freeze-Up, Non Adjustable	1
6	14-00397-00	Thermal Expansion Block Valve, (R134a)	1
7	AC801-202	O-Ring, 1/2 Inch HNBR (Package of 10)	1
8	AC040-074	Blower Assembly, 12 VDC	2
9	AC022-744	Harness, Evaporator, EM-14, GEN 4, (12/24 VDC)	1
10	86-62243-00	Drain Pan Assembly	1
11	AC201-412	Switch, Pressure, Low	1
12	68-63217-00	Bracket, Mounting	2



1.10.1 EVAPORATOR, IW-1 - GRILL ASSEMBLY (79-62056-00)



INACTIVE

Item	Part Number	Description	Qty
1	79-62056-00	Grill Assembly IW-1, Includes:	1
2	34-62019-00Receptacle, 1/4 Turn	1
3	34-62020-00Stud, 1/4 Turn, .25 Grip Range	1
4	34-06169-01Washer, Retaining, .215 I. D.	1
5	38-00573-01Filter, Air, 36.50 X 9.00 X .12, EM-1	1



**OPTION TABLE - IW-1,
12 VDC - 3 Speed**

MODEL IW-1 77-62160	Cover Kit <small>(see Section 1.10.6)</small>	Chassis Kit <small>(see Section 1.10.2)</small>	Wire Harness <small>(see Section 1.10.4)</small>	Mount Brackets <small>(see Section 1.10.5)</small>
-00	1	1	1	1
-01	2	1	2	2
-02	-	1	1	-
-03	11	1	1	1
-04	3	1	1	1
-05	5	1	1	1
-06	4	1	1	3
-07	5	1	1	1
-10	6	1	3	4
-11	5	1	3	4
-12	7	1	1	5
-13	7	1	1	5
-14	6	1	1	6
-20	9	1	1	5
-21	9	1	1	5
-22	8	1	1	4
-23	8	1	1	4
-24	10	1	1	-
-25	10	1	1	-
-26	5	1	3	4
-27	11	1	1	-
-28	6	1	1	1
-29	6	1	1	1
-30	-	1	1	7
-31	-	1	5	7
-32	13	1	1	1
-33	13	1	1	1
-81	6	1	1	1
-83	6	1	1	1
-86	6	1	1	4

**OPTION TABLE - IW-1,
24 VDC**

MODEL IW-1 77-62160	Cover Kit <small>(see Section 1.10.6)</small>	Chassis Kit <small>(see Section 1.10.2)</small>	Wire Harness <small>(see Section 1.10.4)</small>	Mount Brackets <small>(see Section 1.10.5)</small>
-15	11	1	2	1
-16	6	1	2	1
-17	6	1	2	1
-18	12	1	1	1
-19	2	1	2	2

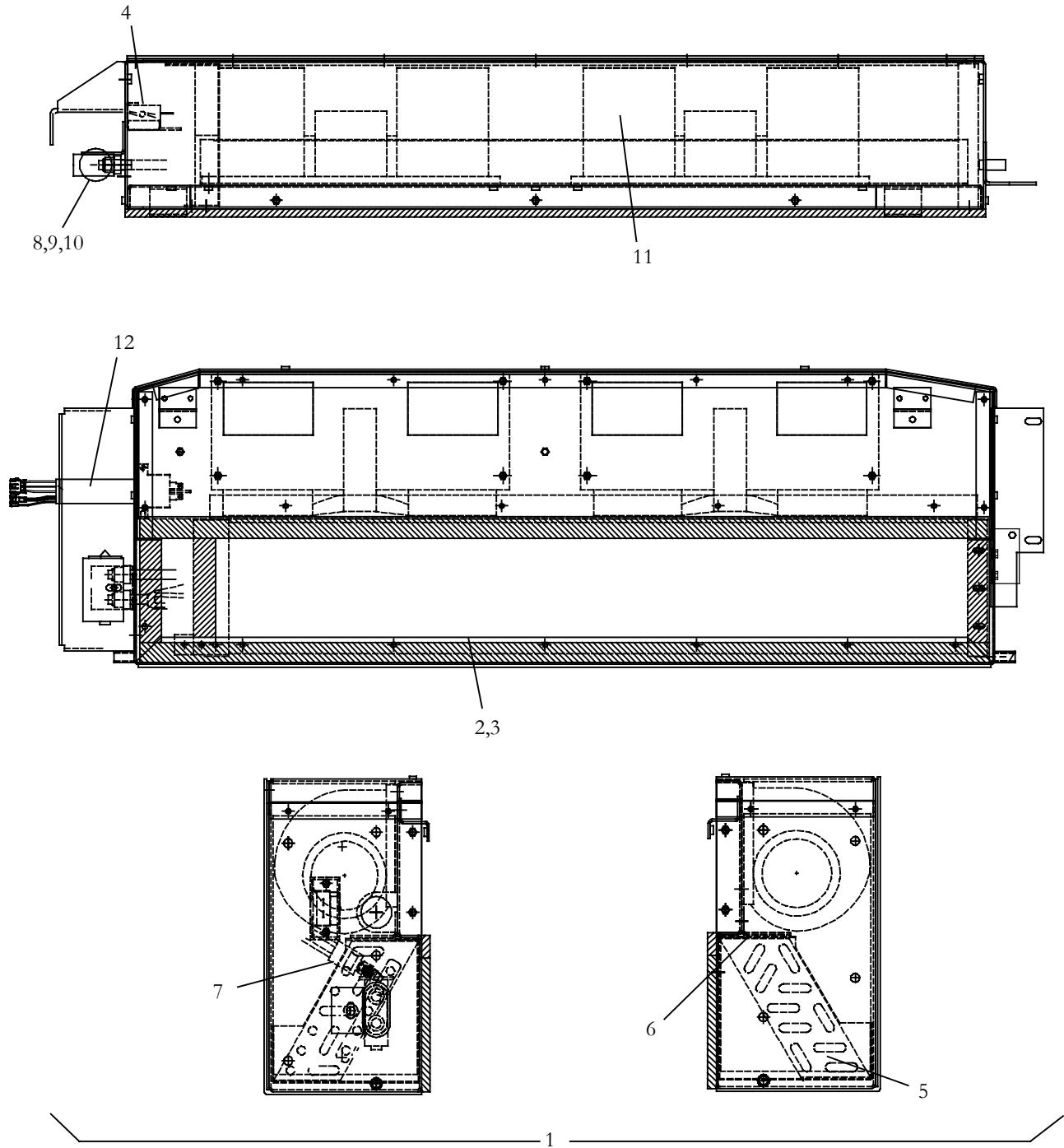
**OPTION TABLE - IW-1,
Variable Speed**

MODEL IW-1 77-62160	Cover Kit <small>(see Section 1.10.6)</small>	Chassis Kit <small>(see Section 1.10.2)</small>	Wire Harness <small>(see Section 1.10.4)</small>	Mount Brackets <small>(see Section 1.10.5)</small>
-09	1	1	4	-

**OPTION TABLE - IW-1,
3 Speed - 12VDC**

MODEL IW-1 Y19-IW101	Cover Kit <small>(see Section 1.10.6)</small>	Chassis Kit <small>(see Section 1.10.2)</small>	Wire Harness <small>(see Section 1.10.4)</small>	Mount Brackets <small>(see Section 1.10.5)</small>
-00	-	1	6	7

1.10.2 EVAPORATOR, IW-1, COMMON PARTS USED ON 77-62160-XX UNITS

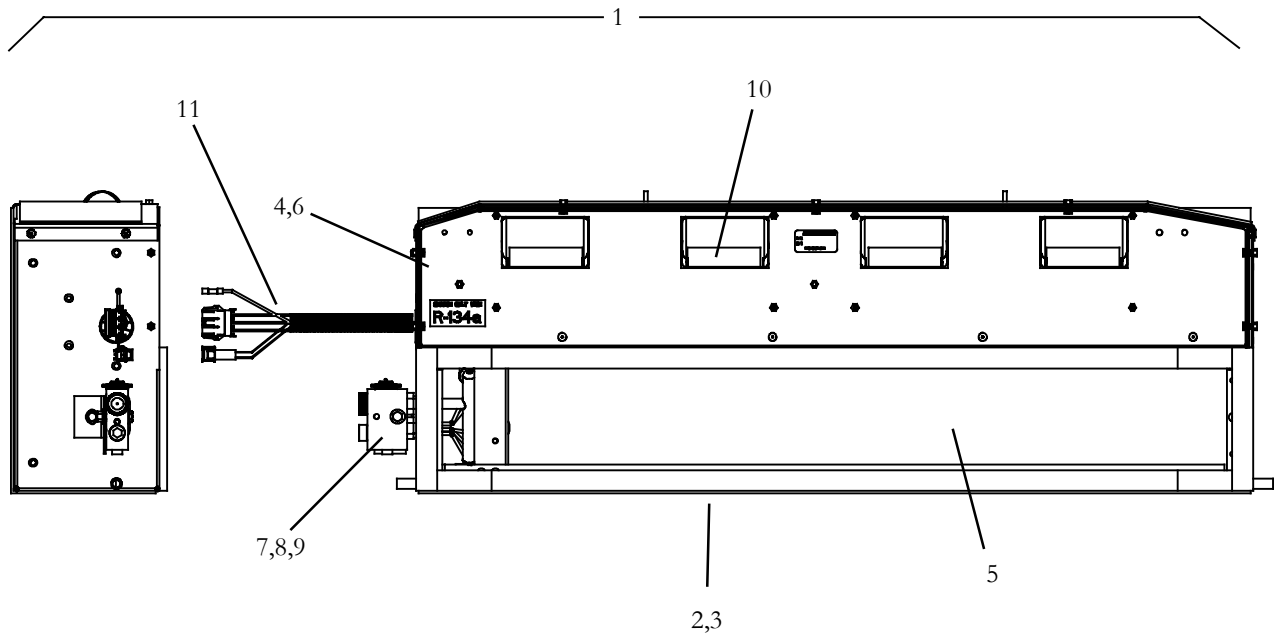




1.10.2 EVAPORATOR ASSEMBLY, IW-1, COMMON PARTS USED ON 77-62160-XX UNITS			
Item	Part Number	Description	Qty
1	77-00303-00	...Evaporator Assy, IW-1, Variable Speed - 12 VDC Includes:	NSI
	77-00303-01	...Evaporator Assy, IW-1, TBB - 12 VDC Includes:	NSI
	77-00303-02	...Evaporator Assy, IW-1 - 12 VDC Includes:	NSI
	77-00303-03	...Evaporator Assy, IW-1 (For use w/ flat cover) - 12 VDC Includes:	NSI
	77-00303-04	...Evaporator Assy, IW-1 - 24 VDC Includes:	NSI
	77-00303-05	...Evaporator Assy, IW-1 - 12 VDC, Enviromate Includes:	NSI
2	86-62460-00Drain Pan Assembly	1
3	AC022-313-1Baffle, Drain Pan	1
4	12-00685-00Thermostat, Freeze-Up, Non Adjustable	1
5	08-62056-01Coil Assembly, Evaporator, IW-1	1
6	NSIGasket, Coil, .125 Inch Thick X 3 X 34.18	1
7	AC201-412Switch, Pressure, Low	1
8	AC801-202O-Ring, 1/2 Inch HNBR	2
9	14-00397-00Valve, Thermal Expansion, (R134a)	1
10	42-00032-00Tape, Insulation, Prestite	1
11	AC401-202Fan & Motor Assembly, 12 VDC	2
	54-00546-03Fan & Motor Assembly, 24 VDC	2
12	22-62239-00Harness, Wiring, Variable Speed (See Section 1.10.4)	NSI
	22-62282-00Harness, Evaporator, EM/IW, (12VDC) - (See Section 1.10.4)	NSI
	22-62274-00Harness, Evaporator, EM/IW, TBB, (12VDC) - (See Section 1.10.4)	NSI
	22-62299-00Harness, Evaporator, EM/IW, (24 VDC) - (See Section 1.10.4)	NSI
	Y25-00059-00Harness, Evaporator, EM/IW, (12 VDC, Enviromate) - (See Section 1.10.4)	NSI



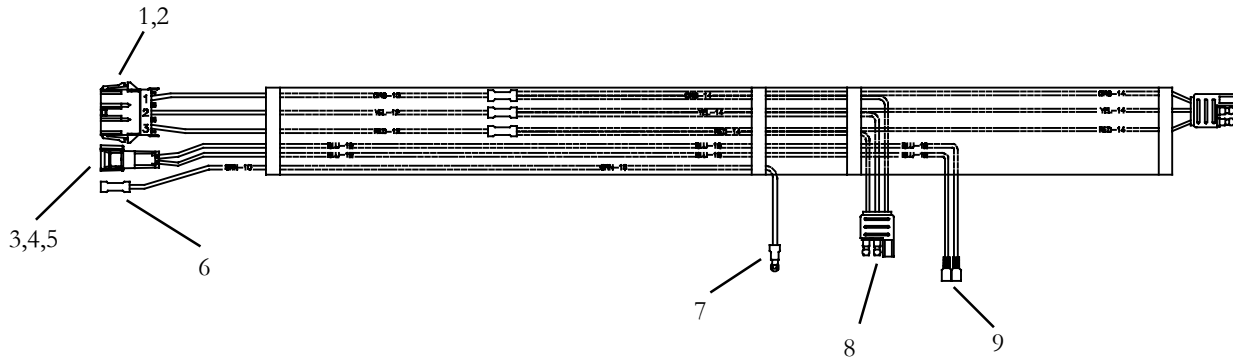
1.10.3 EVAPORATOR, IW-1, COMMON PARTS USED ON CHASSIS Y73-IW101-00: Option 1



Item	Part Number	Description	Qty
1	Y73-IW101-00	...Evaporator Assy, IW-1, Variable Speed - 12 VDC Includes:	NSI
2	86-62460-00Drain Pan Assembly	1
3	AC022-313-1Baffle, Drain Pan	1
4	12-00685-00Thermostat, Freeze-Up, Non Adjustable	1
5	08-62056-01Coil Assembly, Evaporator, IW-1	1
6	AC201-412Switch, Pressure, Low	1
7	AC801-202O-Ring, 1/2 Inch HNBR	2
8	14-00397-00Valve, Thermal Expansion, (R134a)	1
9	42-00032-00Tape, Insulation, Prestite	1
10	Y15-00003-00Fan & Motor Assembly, 12 VDC	2
11	Y25-00106-01Harness, Wiring, Variable Speed (See Section 1.10.4)	NSI

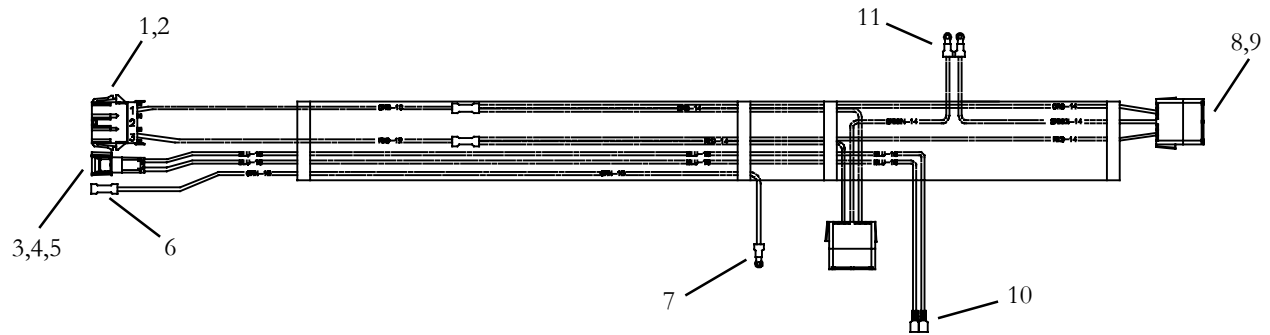
NOTE: Complete Wire Harnesses are Non-Stock Items. Replace Components are Listed.

1.10.4 EVAPORATOR HARNESS, IW-1 12VDC (22-62282-00): OPTION 1



Item	Part Number	Description	Qty
1	22-50099-32	Connector, Plug Housing (3 position)	1
2	22-50099-32A	Terminal, Male, 10/12 AWG	3
3	22-50099-37	Connector, Male Unsealed	1
4	22-50099-37A	Terminal, Male, 16/18 AWG	2
5	22-50099-37D	Lock, Secondary	1
6	22-00066-03	Terminal, Butt Splice, 10/12 AWG	1
7	22-01140-02	Terminal, Ring #10, 10/12 AWG	1
8	22-62002-00	Connector, Electrical	2
9	22-01258-01	Terminal, Female Push-on, 18/22 AWG	2

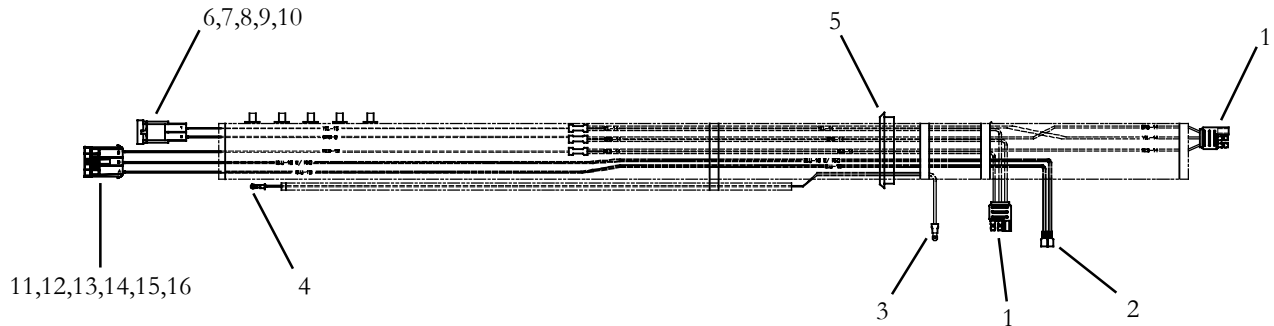
1.10.4 EVAPORATOR HARNESS, IW-1 24VDC (22-62299-00): OPTION 2



Item	Part Number	Description	Qty
1	22-50099-32	Connector, Plug Housing (3 position)	1
2	22-50099-32A	Terminal, Male, 10/12 AWG	3
3	22-50099-37	Connector, Male Unsealed	1
4	22-50099-37A	Terminal, Male, 16/18 AWG	2
5	22-50099-37D	Lock, Secondary	1
6	22-00066-03	Terminal, Butt Splice, 10/12 AWG	1
7	22-01140-02	Terminal, Ring #10, 10/12 AWG	1
8	22-60254-08	Receptacle Housing, (4 position)	2
9	22-60254-27	Terminal, Female, 14 AWG	6
10	22-01258-01	Terminal, Female Push-on, 18/22 AWG	2
11	22-01139-02	Terminal, Ring #10, 14/16 AWG	2

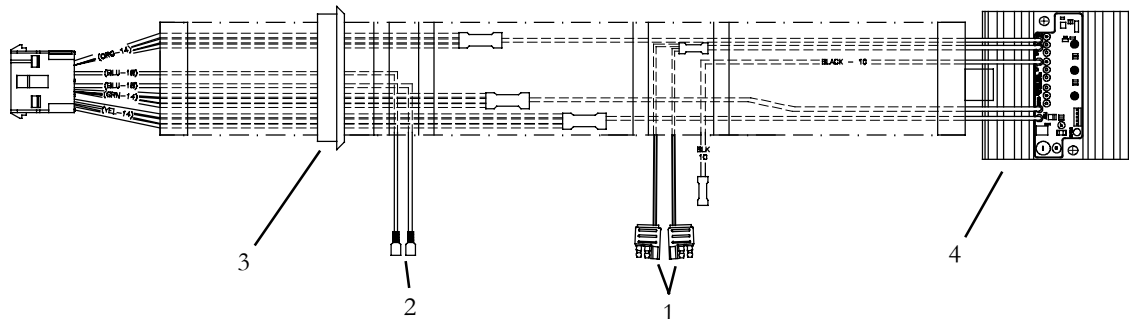
NOTE: Complete Wire Harnesses are Non-Stock Items. Replace Components are Listed.

1.10.4 EVAPORATOR HARNESS, IW-1 12VDC (22-62274-00): OPTION 3



Item	Part Number	Description	Qty
1	22-62002-00	Connector, Plug (Motor)	2
2	22-01258-01	Terminal, Female Push-On, 18/22 AWG	2
3	22-00872-01	Terminal, Ring #10, 8 AWG	1
4	22-00872-03	Terminal, Ring 5/16 , 8 AWG	1
5	58-00661-07	Bushing	1
6	22-50098-67	Connector, Male, 2 position	1
7	22-50098-67B	Terminal, Male, 8 AWG	1
8	22-50098-67D	Cable Seal, 8 AWG	1
9	22-50098-67A	Terminal, Male, 10/12 AWG	1
10	22-50098-67C	Cable Seal, 10/12 AWG	1
11	22-50078-86	Connector, Male, 3 position	1
12	22-50078-49A	Terminal, Male, 18 AWG	2
13	22-50078-53C	Cable Seal, 18 AWG	2
14	22-50078-49C	Terminal, Male, 12 AWG	1
15	22-50078-53D	Cable Seal, 12 AWG	1
16	22-50078-86A	Lock, Secondary	1

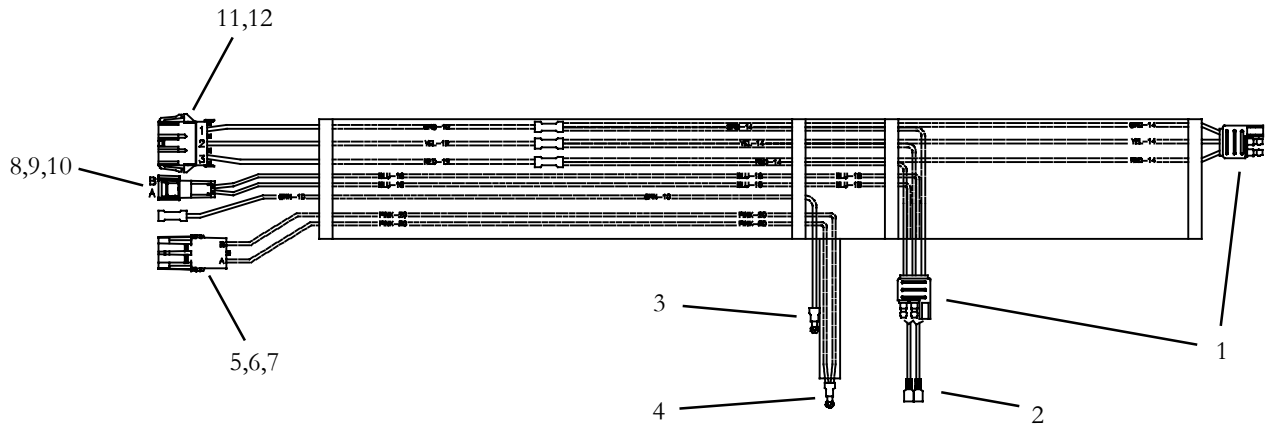
1.10.4 EVAPORATOR HARNESS, IW-1, Variable Speed 12VDC (22-62239-00): OPTION 4



Item	Part Number	Description	Qty
1	22-62002-00	Connector, Plug (Motor)	2
2	22-01258-01	Terminal, Female Push-On, 18/22 AWG	2
3	58-00661-07	Bushing	1
4	12-00533-01	Speed Controller w/Harness	1

NOTE: Complete Wire Harnesses are Non-Stock Items. Replace Components are Listed.

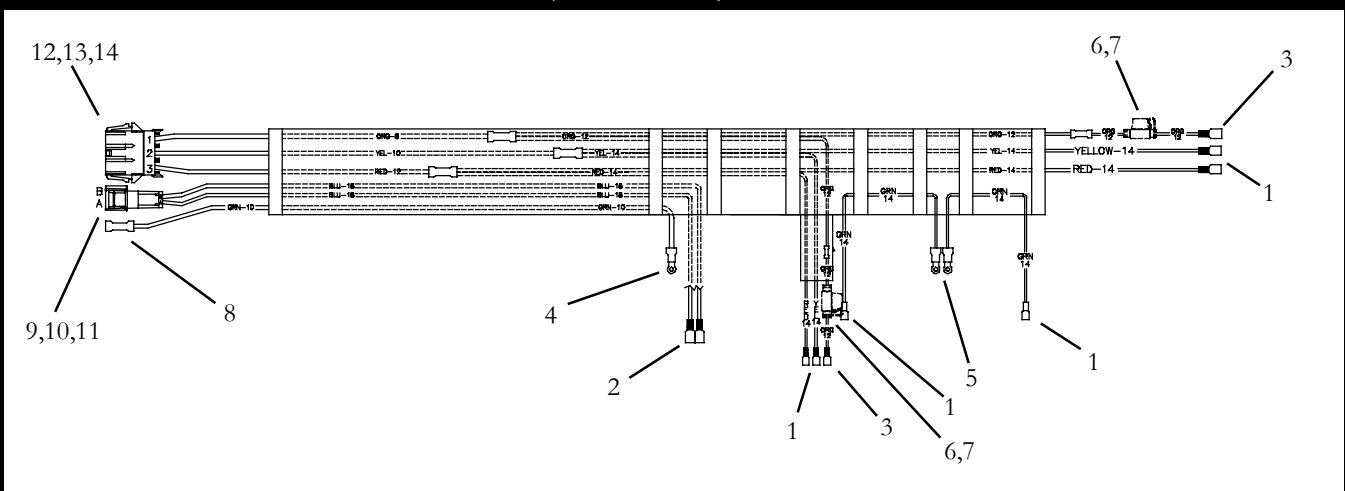
1.10.4 EVAPORATOR HARNESS, IW-1, EnviorMATE 12VDC (Y25-00059-00): OPTION 5



Item	Part Number	Description	Qty
1	22-62002-00	Connector, Plug (Motor)	2
2	22-01258-01	Terminal, Female Push-On, 18/22 AWG	2
3	22-01140-02	Terminal, Ring #10, 12/10 AWG	1
4	12-00305-04	Thermistor, Fenwal Ring	1
5	22-02392-00	Connector, Male, 2 position W/P	1
6	22-02393-01	... Terminal, Male, 20/18 AWG	2
7	22-02394-00	... Cable Seal	2
8	22-50099-37	Connector, Male, Unsealed	1
9	22-50099-37A	... Terminal, Male, 16/18 AWG	2
10	22-50099-37D	... TPA	1
11	22-50099-32	Connector, Plug Housing 3 Way	1
12	22-50099-32A	... Terminal, Male, 10/12 AWG	3

NOTE: Complete Wire Harnesses are Non-Stock Items. Replace Components are Listed.

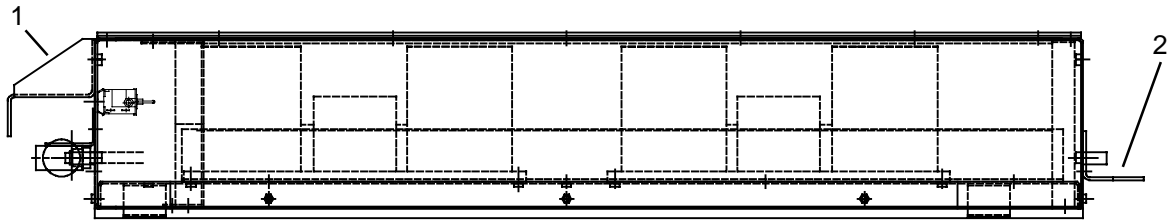
1.10.4 EVAPORATOR HARNESS, IW-1, 12VDC (Y25-00106-01): OPTION 6



Item	Part Number	Description	Qty
1	22-01141-01	Terminal, Female Push-On, 16/14 AWG	6
2	22-01258-01	Terminal, Female Push-On, 18/22 AWG	2
3	31-1247	Terminal, Female Push-On, 12/10 AWG	2
4	22-01140-02	Terminal, Ring #10, 12/10 AWG	1
5	22-01139-02	Terminal, Ring #10, 16/14 AWG	2
6	22-02338-07	Fuse Holder w/Cap	2
7	22-02336-26	Fuse, Mini, 25A	1
8	22-00066-03	Terminal, Butt Splice 12/10 AWG	2
9	22-50099-37	Connector, Male, Unsealed	1
10	22-50099-37A	... Terminal, Male, 16/18 AWG	2
11	22-50099-37D	... TPA	1
12	22-50099-32	Connector, Plug Housing 3 Way	1
13	22-50099-32A	... Terminal, Male, 10/12 AWG	2
14	22-50099-32B	... Terminal, Male, 8 AWG	1

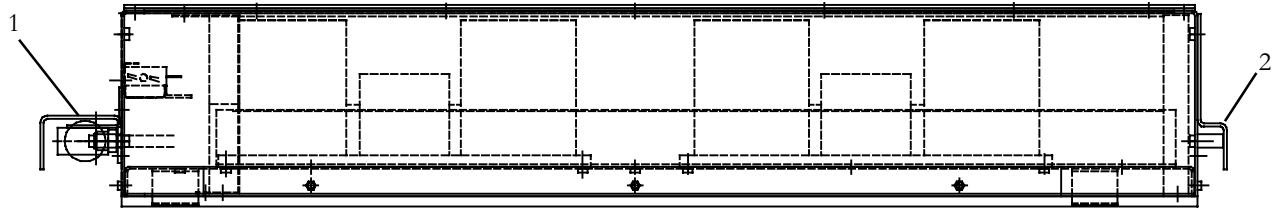


1.10.5 EVAPORATOR, IW-1, BRACKETS (77-62160-00,-03,-04,-05,-07,-15,16,-17,-18,-28,-29,-32,-33,-81,&-83): OPTION 1



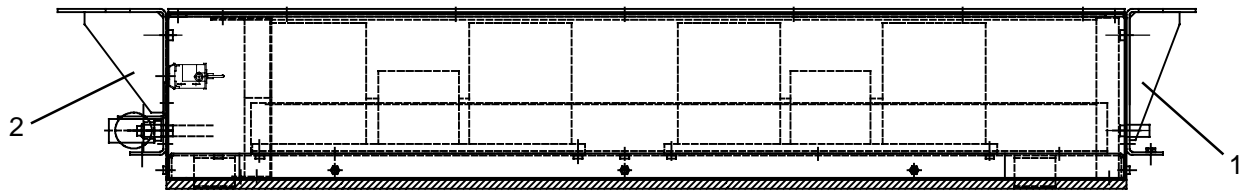
Item	Part Number	Description	Qty
1	68-63416-00Bracket, Hanger, Evaporator Mounting	1
2	68-63417-00Bracket, Hanger, Evaporator Mounting	1

1.10.5 EVAPORATOR, IW-1, BRACKETS (77-62160-01 & -19): OPTION 2



Item	Part Number	Description	Qty
1	68-63440-00Bracket, Hanger, Evaporator Mounting	1
2	68-63441-00Bracket, Hanger, Evaporator Mounting	1

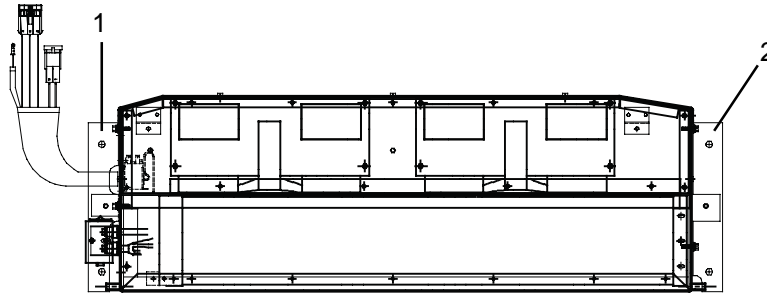
1.10.5 EVAPORATOR, IW-1, BRACKETS (77-62160-06): OPTION 3



Item	Part Number	Description	Qty
1	86-62577-00Weld Assembly, IW-1	1
2	86-62437-00Weld Assembly, IW-1	1

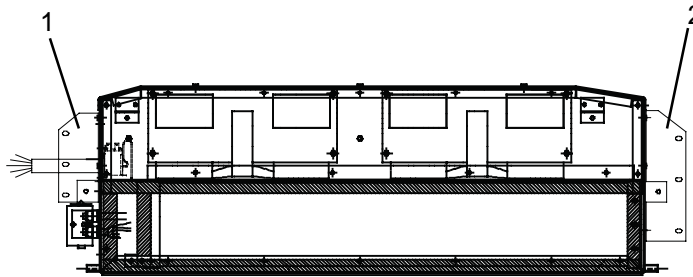


1.10.5 EVAPORATOR, IW-1, BRACKETS (77-62160-10, -11, -22, -23 & -26): OPTION 4



Item	Part Number	Description	Qty
1	68-63756-00Bracket, Mounting	2
2	68-63757-00Bracket, Mounting	1

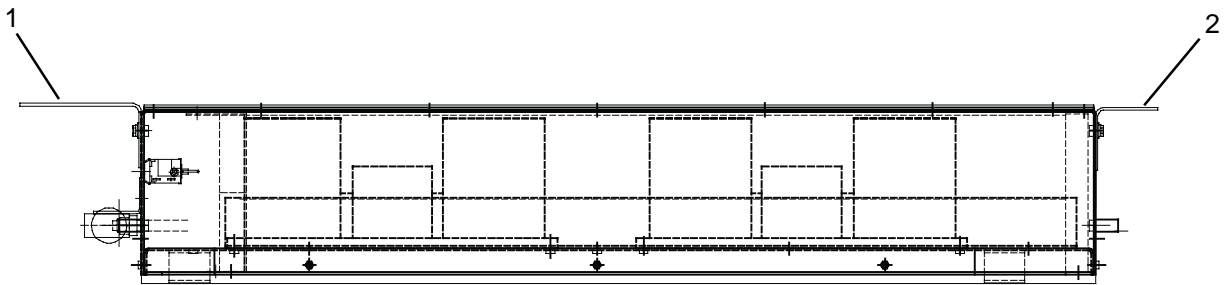
1.10.5 EVAPORATOR, IW-1, BRACKETS (77-62160-12, -13, -20 & -21): OPTION 5



Item	Part Number	Description	Qty
1	68-63763-00Bracket, Mounting	2
2	68-63764-00Bracket, Mounting	1

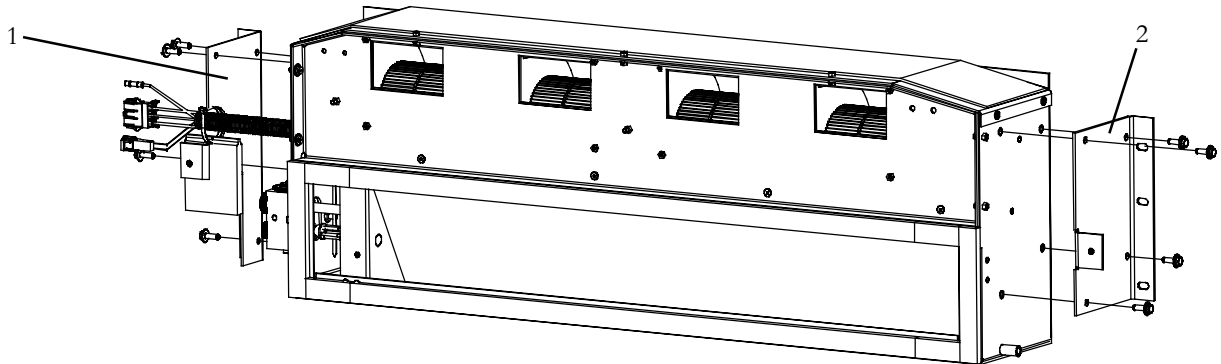


1.10.5 EVAPORATOR, IW-1, BRACKETS (77-62160-14): OPTION 6



Item	Part Number	Description	Qty
1	68-08216-00Bracket, Mounting	1
2	68-08217-00Bracket, Mounting	1

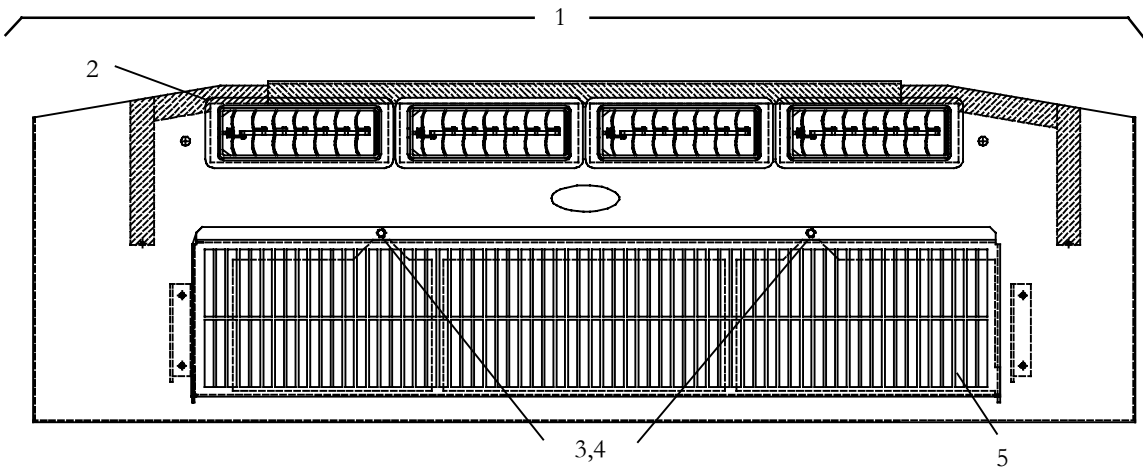
1.10.5 EVAPORATOR, IW-1, BRACKETS (77-62160-30 & -31 and Y19-IW101-00): OPTION 7



Item	Part Number	Description	Qty
1	Y24-00186-00Bracket, Mounting	1
2	Y24-00187-00Bracket, Mounting	1

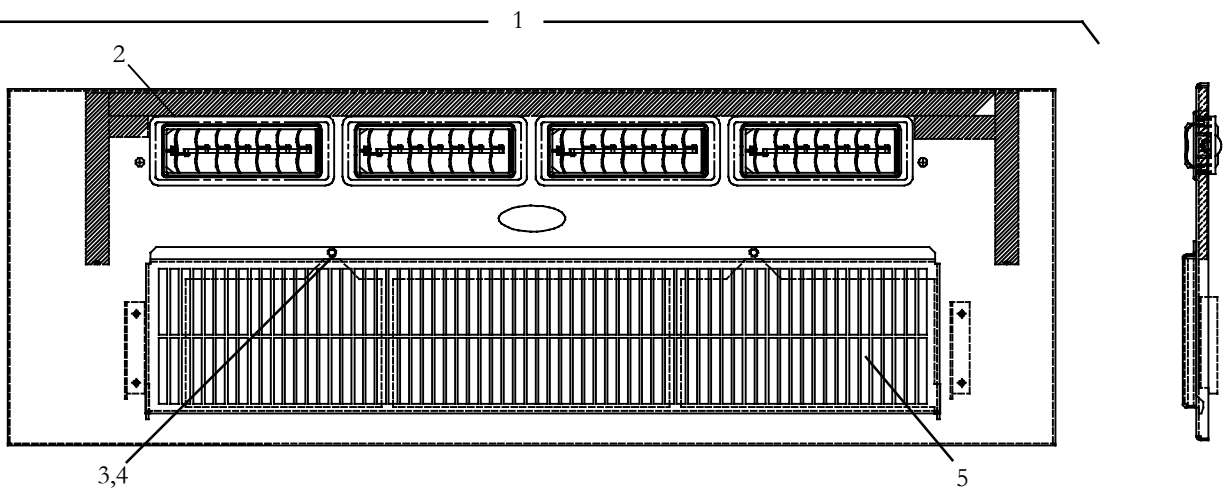


1.10.6 COVER ASSEMBLY, IW-1, LOUVER DIFFUSER - USE WITH 77-62160-00,-09 : OPTION 1



Item	Part Number	Description	Qty
1	79-62088-00	Cover Assembly, IW-1, White, Includes: (-00 & -09)	1
	79-62088-03	Cover Assembly, IW-1, Oyster White, Includes:	1
2	58-62042-00Diffuser, Air, Louver, Rectangular (8.0 X 3.0 Inches)	4
3	NSINut, Retaining, Chimney Type, 1/4-20	2
4	801-307Screw, Knurled Slotted Head, 1/4-20 x 0.75 Inch Long, Nylon	2
5	38-00573-08Filter, Air, 34.00 X 6.40 X .25, (IW-1)	1

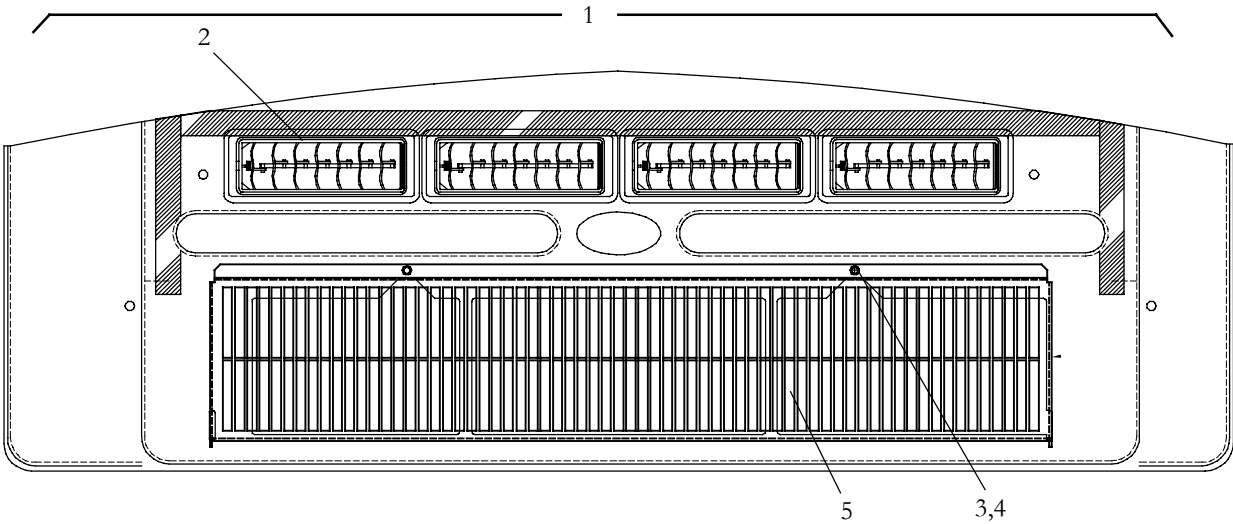
1.10.6 COVER ASSEMBLY, IW-1, LOUVER DIFFUSER - USE WITH 77-62160-01 & -19 : OPTION 2



Item	Part Number	Description	Qty
1	79-62088-02	Cover Assembly, IW-1, White - Includes:	1
2	58-62042-00Diffuser, Air, Louver, Rectangular (8.0 X 3.0 Inches)	4
3	NSINut, Retaining, Chimney Type, 1/4-20	2
4	801-307Screw, Knurled Slotted Head, 1/4-20 x 0.75 Inch Long, Nylon	2
5	38-00573-08Filter, Air, 34.00 X 6.40 X .25, (IW-1)	1

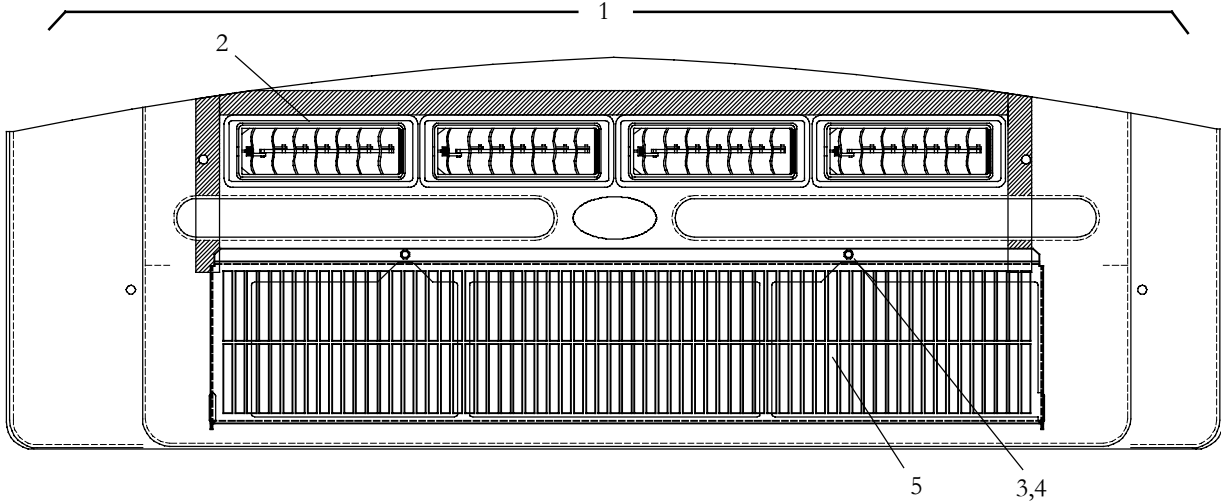


1.10.6 COVER ASSEMBLY, IW-1 - USE WITH 77-62160-04 : OPTION 3



Item	Part Number	Description	Qty
1	79-62096-00	Cover Assembly, IW-1, Grey (TBB FS65) - Includes: (-04)	1
2	58-62042-00Diffuser, Air, Adjustable, (Rectangular)	4
3	NSINut, Retaining, Chimney Type, 1/4-20	2
4	801-307Screw, Knurled Slotted Head, 1/4-20 x 0.75 Inch Long, Nylon	2
5	38-00573-08Filter, Air, 34.00 X 6.40 X .25 Inch	1

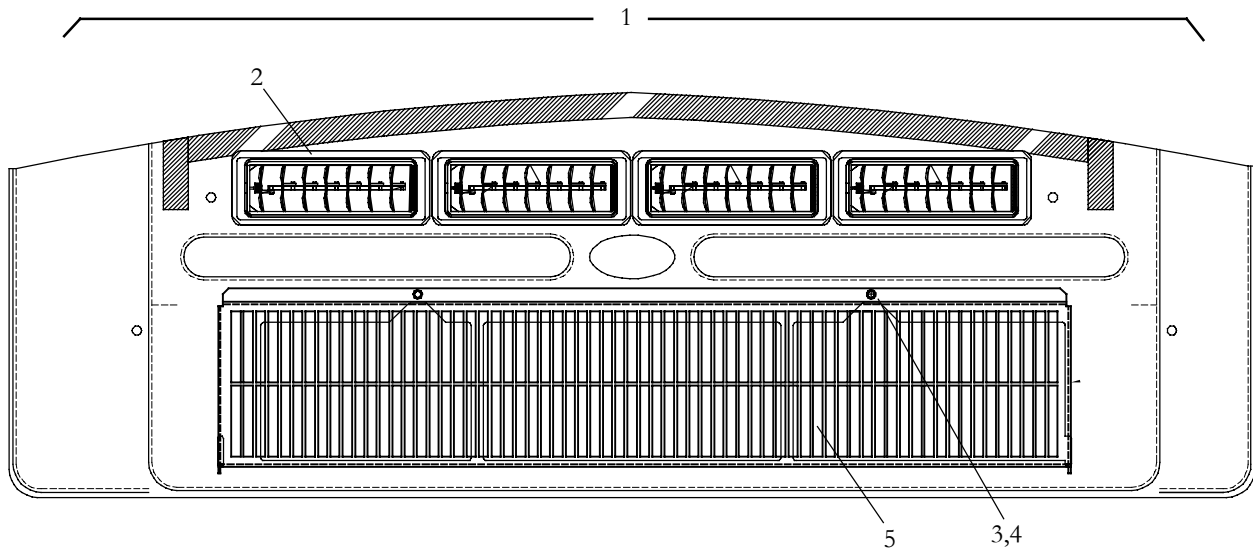
1.10.6 COVER ASSEMBLY, IW-1 - USE WITH 77-62160-06 : OPTION 4



Item	Part Number	Description	Qty
1	79-62096-02	Cover Assembly, IW-1, Grey (TBB FS65) C & D Type - Includes: (-06)	1
2	58-62042-00Diffuser, Air, Adjustable (Rectangular)	4
3	NSINut, Retaining, Chimney Type, 1/4-20	2
4	801-307Screw, Knurled Slotted Head, 1/4-20 x 0.75 Inch Long, Nylon	2
5	38-00573-08Filter, Air, 34.00 X 6.40 X .25 Inch	1

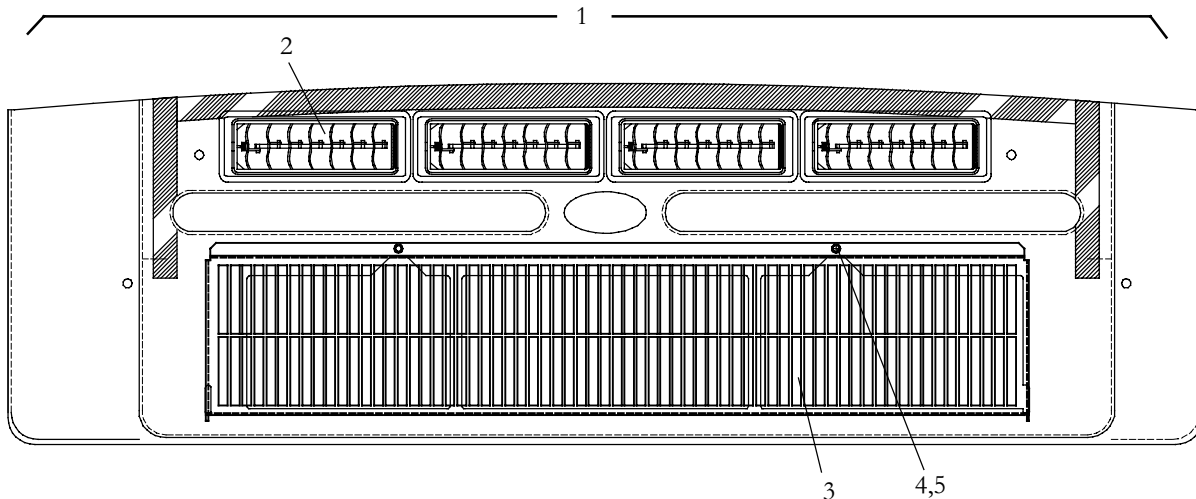


1.10.6 COVER ASSEMBLY, IW-1 - USE WITH 77-62160-05,-07,-11 & -26 : OPTION 5



Item	Part Number	Description	Qty
1	79-62096-04	Cover Assy, IW-1, TBB (C2), Grey, Includes: (-07 & -26)	1
	79-62096-05	Cover Assy, IW-1, TBB (C2), White, Includes: (-11)	1
2	58-62042-00Diffuser, Air, Adjustable (Rectangular)	4
3	NSINut, Retaining	2
4	AC801-307Screw, Knurled Slotted Head, 1/4 - 20 x 3/4	2
5	38-00573-08Filter, Air, 34.00 X 6.40 X .25 Inch	1

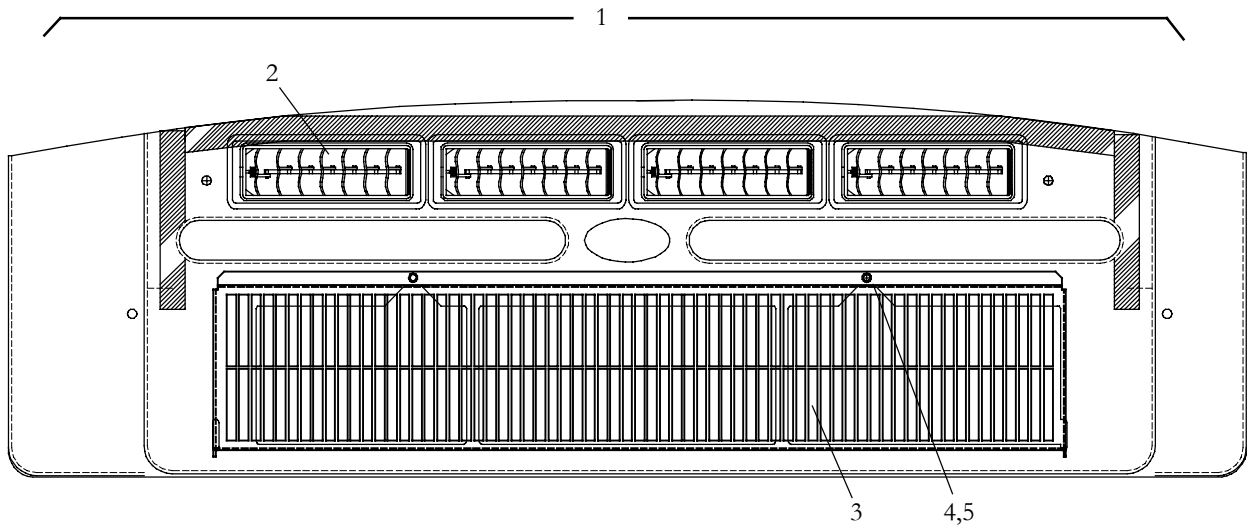
1.10.6 COVER ASSEMBLY, IW-1 - USE WITH 77-62160-10,-14,-16,-17,-28,-29,-81 & -83 : OPTION 6



Item	Part Number	Description	Qty
1	79-62097-00	Cover Assembly, Evaporator, Gray - Includes: (-10, -14, -17 & -83)	1
	79-62097-01	Cover Assy, IW-1, White, Includes: (77-62160-05,-16,-28,-29 & -81)	1
2	58-62042-00Diffuser, Air, Adjustable (Rectangular)	4
3	38-00573-08Filter, Air, 34.00 X 6.40 X .25 Inch	1
4	NSINut, Retaining, Chimney Type, 1/4-20	2
5	AC801-307Screw, Knurled Slotted Head, 1/4-20 x 0.75 Inch Long, Nylon	2

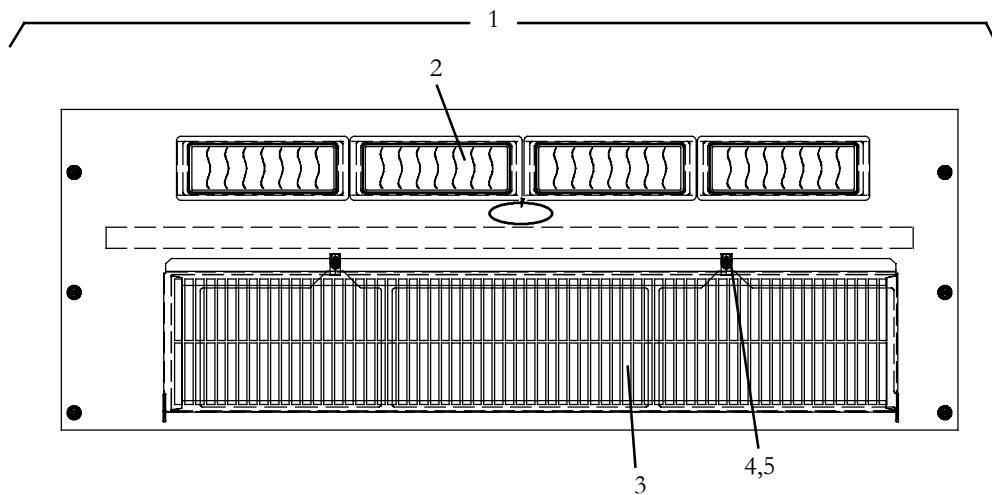


1.10.6 COVER ASSEMBLY, IW-1 - USE WITH 77-62160-12 & -13 : OPTION 7



Item	Part Number	Description	Qty
1	79-62096-06	Cover Assembly, Evaporator, BB (CE), Gray - Includes: (-13)	1
	79-62096-07	Cover Assembly, Evaporator, BB (CE), White - Includes: (-12)	1
2	58-62042-00Diffuser, Air, Adjustable (Rectangular)	4
3	38-00573-08Filter, Air, 34.00 X 6.40 X .25 Inch	1
4	NSINut, Retaining, Chimney Type, 1/4-20	2
5	AC801-307Screw, Knurled Slotted Head, 1/4-20 x 0.75 Inch Long, Nylon	2

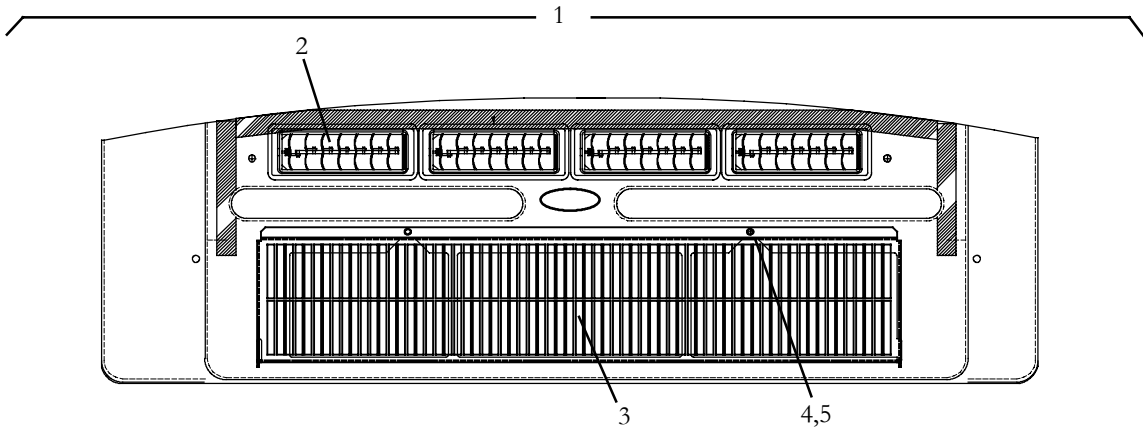
1.10.6 COVER ASSEMBLY, IW-1 - USE WITH MODELS 77-62160-22 & -23 : OPTION 8



Item	Part Number	Description	Qty
1	79-62118-00	Cover Assembly, Evaporator, Gray - Includes: (-22)	1
	79-62118-01	Cover Assembly, Evaporator, White - Includes: (-23)	1
2	58-62042-00Diffuser, Air, Adjustable (Rectangular)	4
3	38-00573-08Filter, Air, 34.00 X 6.40 X .25 Inch	1
4	NSINut, Retaining, Chimney Type, 1/4-20	2
5	AC801-307Screw, Knurled Slotted Head, 1/4-20 x 0.75 Inch Long, Nylon	2

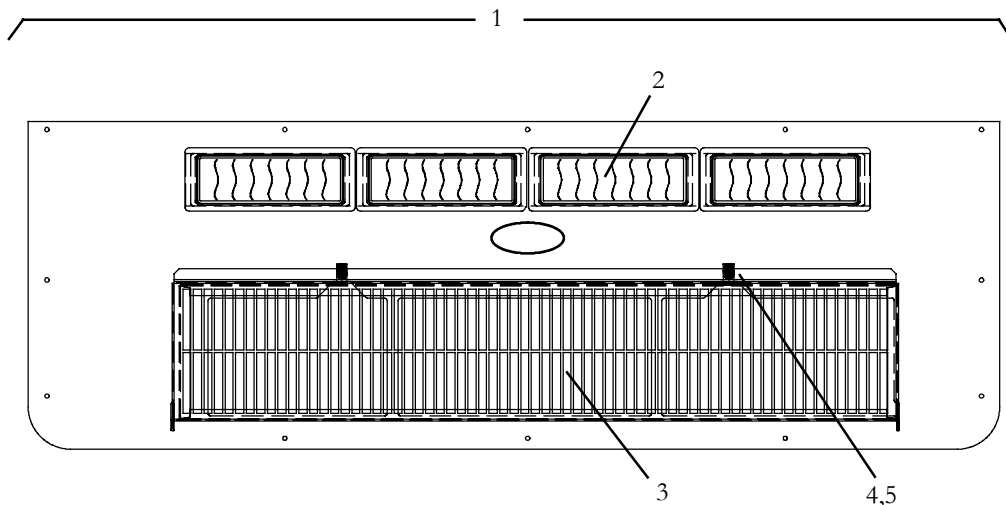


1.10.6 COVER ASSEMBLY, IW-1 - USE WITH MODELS 77-62160-20 & -21 : OPTION 9



Item	Part Number	Description	Qty
1	79-62096-08	Cover Assembly, Evaporator, BB (Microbird), Gray - Includes: (-21)	1
	79-62096-09	Cover Assembly, Evaporator, BB (Microbird), White - Includes: (-20)	1
2	58-62042-00Diffuser, Air, Adjustable (Rectangular)	4
3	38-00573-08Filter, Air, 34.00 X 6.40 X .25 Inch	1
4	NSINut, Retaining, Chimney Type, 1/4-20	2
5	AC801-307Screw, Knurled Slotted Head, 1/4-20 x 0.75 Inch Long, Nylon	2

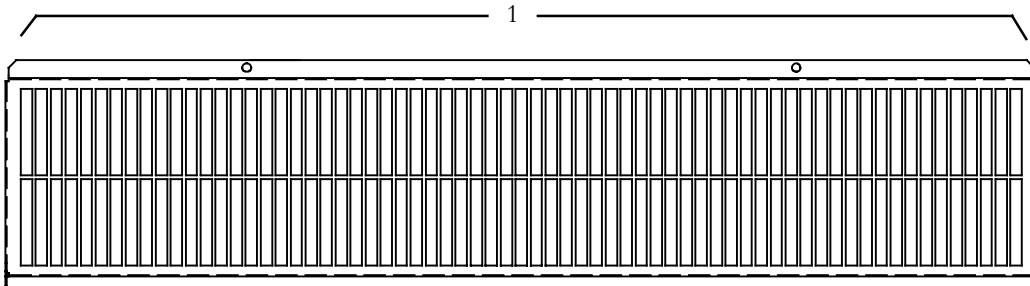
1.10.6 COVER ASSEMBLY, IW-1 - USE WITH MODELS 77-62160-24 & -25 : OPTION 10



Item	Part Number	Description	Qty
1	79-62118-02	Cover Assembly, Evaporator, Girardin, Gray - Includes: (-24)	1
	79-62118-03	Cover Assembly, Evaporator, Girardin, White - Includes: (-25)	1
2	58-62042-00Diffuser, Air, Adjustable (Rectangular)	4
3	38-00573-08Filter, Air, 34.00 X 6.40 X .25 Inch	1
4	NSINut, Retaining, Chimney Type, 1/4-20	2
5	AC801-307Screw, Knurled Slotted Head, 1/4-20 x 0.75 Inch Long, Nylon	2

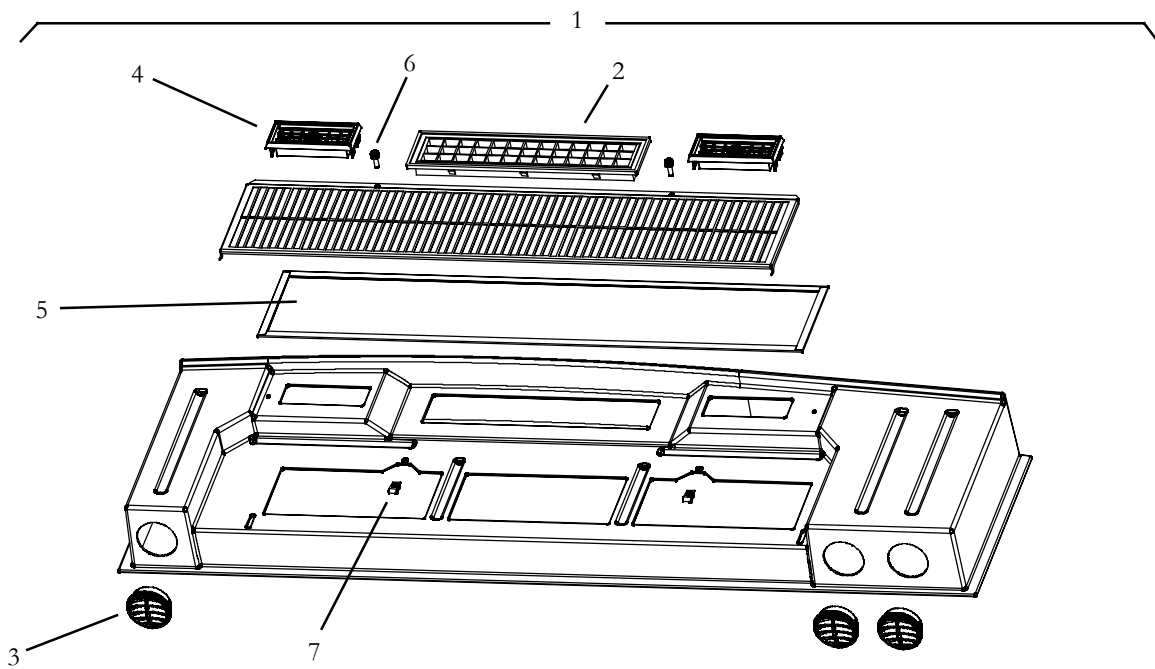


1.10.6 GRILLE, IW-1 - USE WITH MODELS 77-62160-03,-15, & -27 : OPTION 11



Item	Part Number	Description	Qty
1	68-08182-01	Grille, Black	1

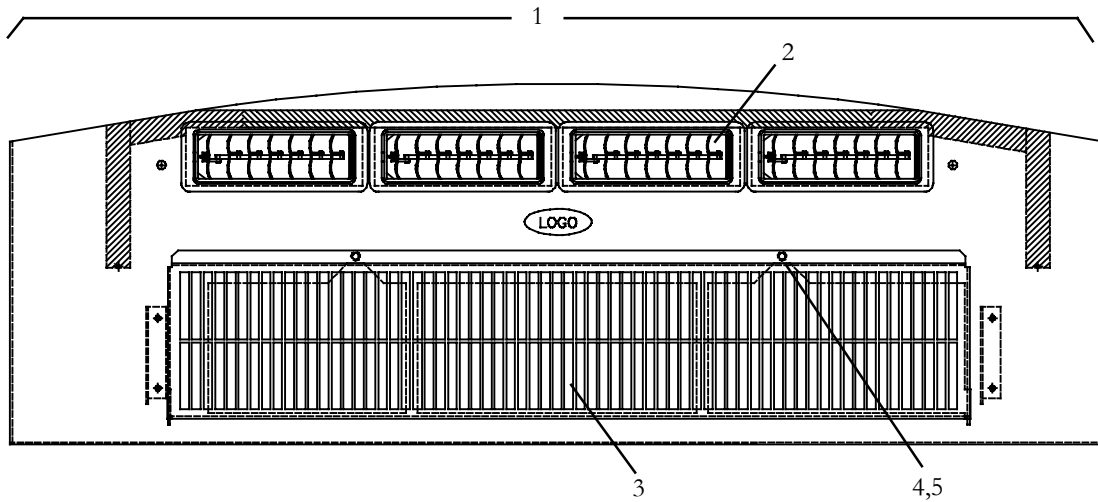
1.10.6 COVER ASSEMBLY, IW-1 - USE WITH 77-62160-18 : OPTION 12



Item	Part Number	Description	Qty
1	Y28-00023-00	Cover Assembly, Evaporator, Beige - Includes:	1
2	58-62209-00Diffuser, Air, Adjustable, (Rectangular)	1
3	Y23-00002-00Louver, Fixed, 2.5" (Round)	3
4	Y23-00002-00Louver, Bezel, 2" x 5.5" (Rectangular)	2
5	38-00573-08Filter, Air, 34.00 X 6.40 X .25 Inch	1
6	NSINut, Retaining, Chimney Type, 1/4-20	2
7	AC801-307Screw, Knurled Slotted Head, 1/4-20 x 0.75 Inch Long, Nylon	2



1.10.6 COVER ASSEMBLY, IW-1 - USE WITH MODELS 77-62160-32 & -33 : OPTION 13



Item	Part Number	Description	Qty
1	79-62088-04	Cover Assembly, Evaporator, Metal Cover, Oyster White - Includes:	1
2	58-62042-00Diffuser, Air, Adjustable (Rectangular)	4
3	38-00573-08Filter, Air, 34.00 X 6.40 X .25 Inch	1
4	NSINut, Retaining, Chimney Type, 1/4-20	2
5	AC801-307Screw, Knurled Slotted Head, 1/4-20 x 0.75 Inch Long, Nylon	2

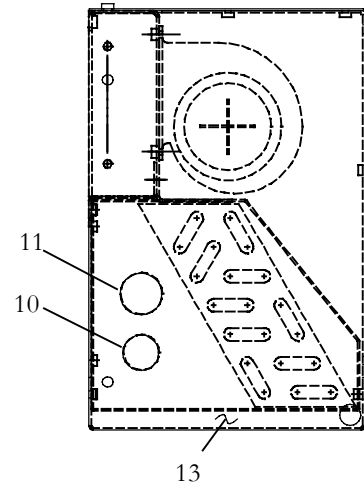
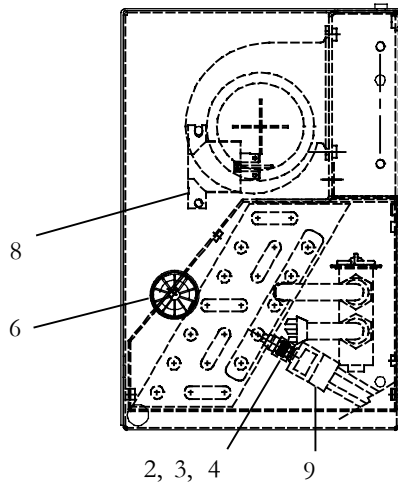
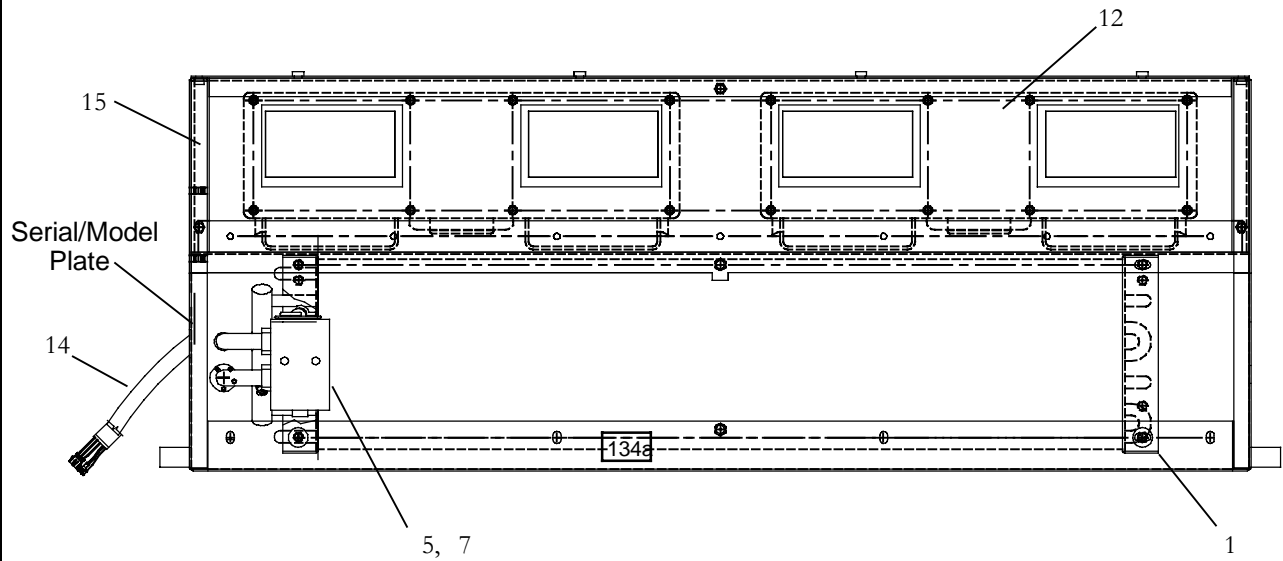
1.11 IW-2 IN-WALL EVAPORATORS

OPTION TABLE - IW-2, 12 VDC - 3 Speed

MODEL IW-2 77-62134	Cover Kit <small>(see Section 1.11.4)</small>	Chassis Kit <small>(see Section 1.11.1)</small>	Wire Harness <small>(see Section 1.11.3)</small>	Mount Brackets <small>(see Section 1.11.2)</small>
-00	2	1	1	-
-01	1	1	1	-
-02	2	1	1	1
-03	3	1	1	2
-04	3	1	1	2
-05	3	1	1	-
-06	3	1	1	-
-07	4	1	1	-
-08	4	1	1	-
-11	-	1	1	-
-12	5	1	1	-



1.11.1 EVAPORATOR, IW-2 - 77-62134-XX (All), COMMON PARTS: OPTION 1



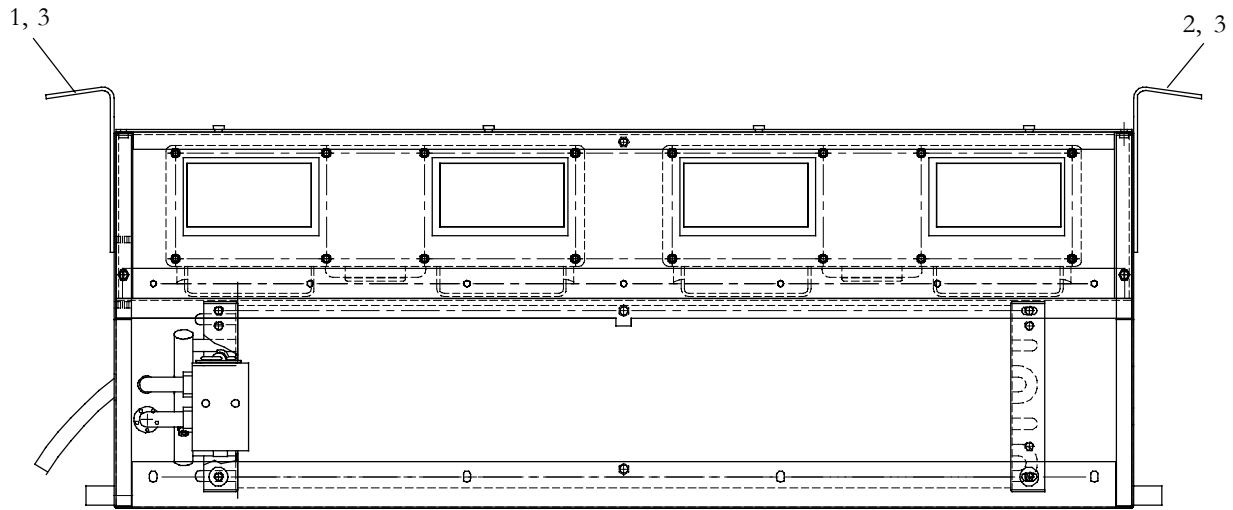
Item	Part Number	Description	Qty
-	NSS	Evaporator Chassis Assembly, IW-2 - Includes:	-
1	08-62045-01	...Coil, Evaporator, IW-2 - Includes:	1
2	40-00124-00Body, Valve, Schrader, Brass, 1/4 SAE Flare - Includes:	1
3	14-00351-00Core, Access Valve (Nickel Plated)	1
4	DD19CA061Cap, Seal, Flare, 1/4 Inch	1
5	14-00397-00	...Valve, Thermal Expansion, (R134a)	1
6	58-00661-06	...Bushing, Nylon, 1-3/8 Inch Hole	1
7	AC801-202	...O-Ring, 1/2 Inch HNBR (Package of 10)	2
8	12-00685-00	...Thermostat, Freeze-Up, Non Adjustable	1
9	AC201-412	...Switch, Low Pressure	1



1.11.1 EVAPORATOR, IW-2, 77-62134-XX (All), COMMON PARTS: OPTION 1 (Con't)			
Item	Part Number	Description	Qty
10	58-00065-26	...Grommet, 0.75 I.D. X 1.06 Hole, .06 Inch Groove	2
11	58-00065-83	...Grommet, 1.00 ID X 1.25 Hole, .06 Inch Groove	2
12	AC401-203	...Blower Assembly, 12 VDC	2
13	AC022-313-2	...Baffle, Drain Pan	1
14	22-62282-00	...Harness, Evaporator, (12 VDC) - (SEE SECTION 1.11.3)	1
N.S.	42-00032-00	...Tape, Insulation, Presstite, 2.00 Inch X 30 Feet Long	1
15	AC801-414	...Gasket, Foam, 3/8 X 1 Inch, (25 Foot Roll)	1

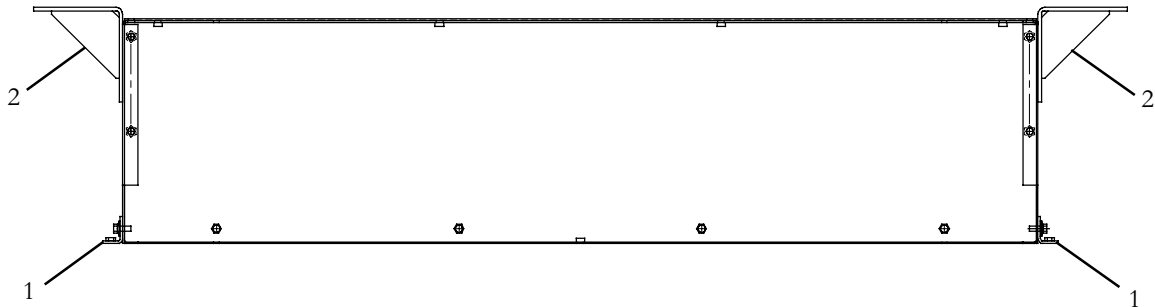


1.11.2 EVAPORATOR, IW-2 MOUNT BRACKETS (Used on 77-62134-02): OPTION 1



Item	Part Number	Description	Qty
1	68-63529-00	...Bracket, Evaporator Mounting	1
2	68-63529-01	...Bracket, Evaporator Mounting	1
3	NSI	...Screw, Hex Head, With Captive Washer, 1/4-20 X .75 Inch Long, SST	8

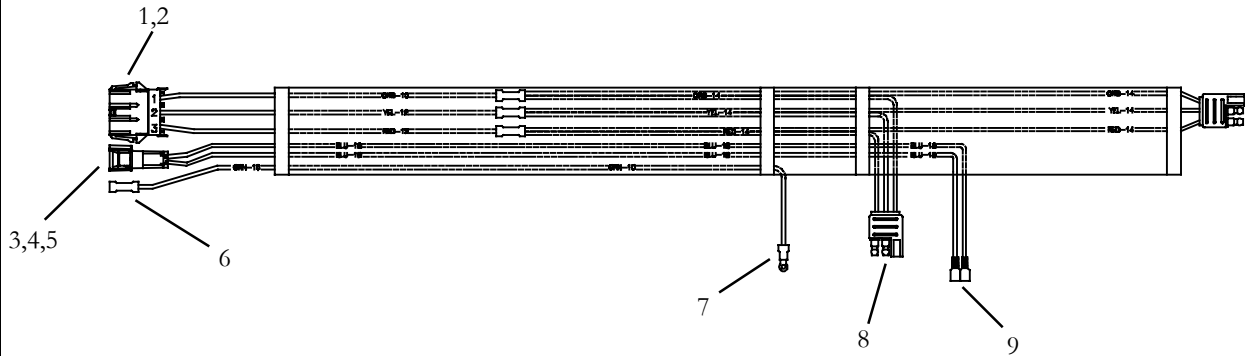
1.11.2 EVAPORATOR, IW-2 MOUNT BRACKETS (Used on 77-62134-03 & -04): OPTION 2



Item	Part Number	Description	Qty
1	68-63617-00	...Angle Assembly, Cover, IW-2	2
2	86-62449-00	...Bracket Assembly, Evaporator Mounting, IW-2 TBB SRW	2
3	NSI	...Bolt, Hex Head, 5/16-18 X .750 Inch Long, SST	6
4	NSI	...Washer, Split Lock, 5/16, SST	6
5	NSI	...Washer, Flat, 5/16, SST	6

NOTE: Complete Wire Harnesses are Non-Stock Items. Replace Components are Listed.

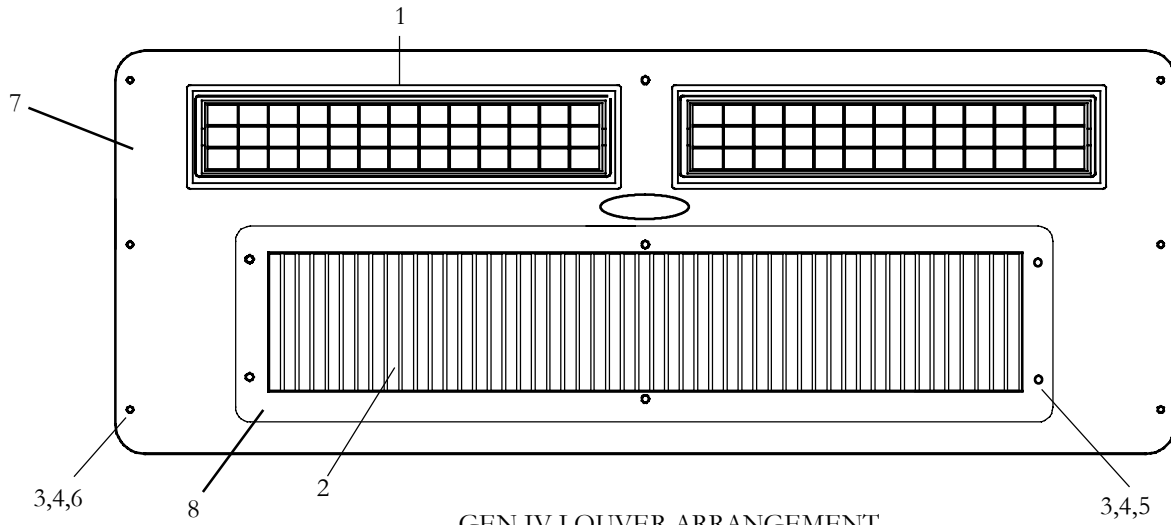
1.11.3 EVAPORATOR HARNESS, IW-2 12VDC (22-62282-00): OPTION 1



Item	Part Number	Description	Qty
1	22-50099-32	Connector, Plug Housing (3 position)	1
2	22-50099-32A	Terminal, Male, 10/12 AWG	3
3	22-50099-37	Connector, Male Unsealed	1
4	22-50099-37A	Terminal, Male, 16/18 AWG	2
5	22-50099-37D	Lock, Secondary	1
6	22-00066-03	Terminal, Butt Splice, 10/12 AWG	1
7	22-01140-02	Terminal, Ring #10, 10/12 AWG	1
8	22-62002-00	Connector,Electrical	2
9	22-01258-01	Terminal, Female Push-on, 18/22 AWG	2



1.11.4 EVAPORATOR, IW-2, 77-62134-01 (GEN IV): OPTION 1



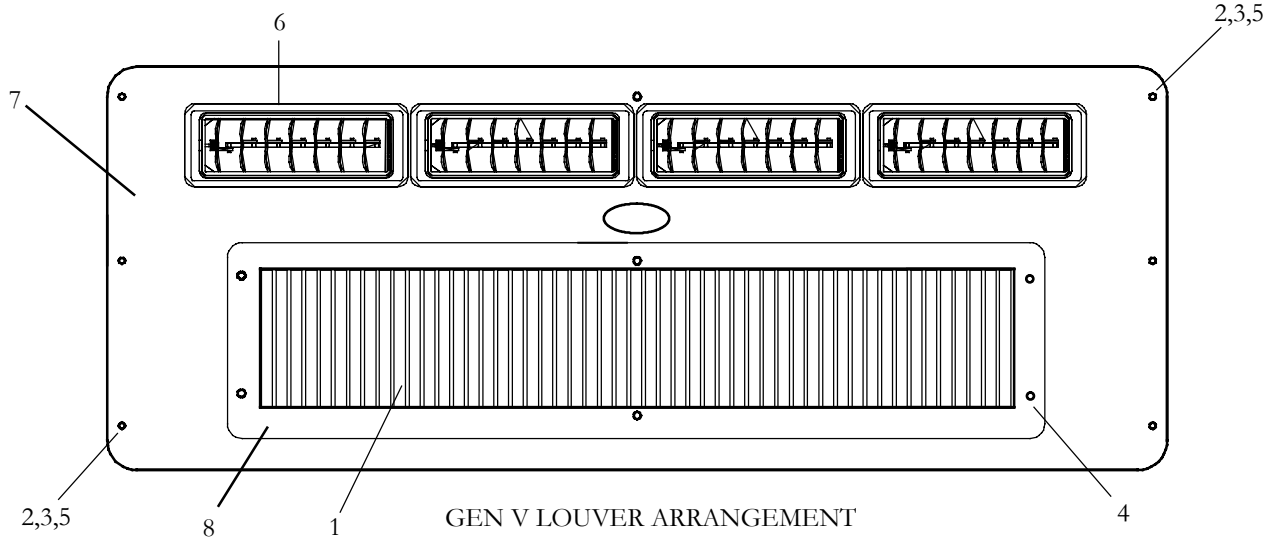
GEN IV LOUVER ARRANGEMENT

NOTE: ITEM 1 USED ON 77-62134-01 ONLY

Item	Part Number	Description	Qty
1	AC401-320	Diffuser, Air, Fixed	2
2	38-00573-06	Filter, Air, 26.30 X 5.75 X.25, IW-2, (Used On -00 Assembly Only))	1
3	AC801-529	Washer, Snap Cap	13
4	AC801-531	Cap, Snap, White	13
5	NSI	Screw, Pan Head, TF, #10-16 X .63 Inch Long	6
6	NSI	Screw, Pan Head, #10-32 X .50 Inch Long, Zinc	7
7	68-63703-00	Cover	1
8	68-07962-00	Grille	1



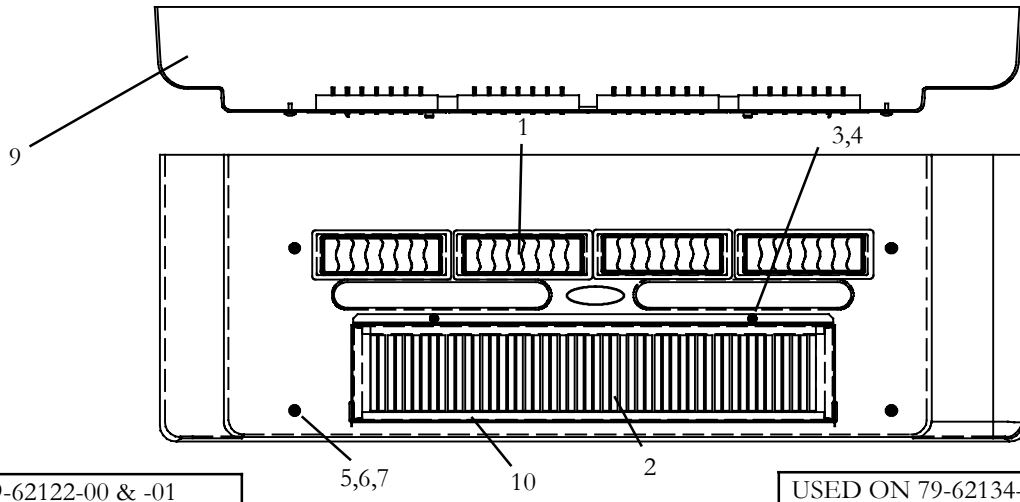
1.11.4 EVAPORATOR, IW-2, 77-62134-00 & -02: OPTION 2



Item	Part Number	Description	Qty
1	38-00573-06	Filter, Air, IW-2 (26.3 in. X 5.75 in.)	1
2	AC801-529	Washer, Snap Cap	13
3	AC801-531	Cap, Snap, White	13
4	NSI	Screw, Pan Head, TF, #10-16 X .63 Inch Long	6
5	NSI	Screw, Pan Head, #10-32 X .50 Inch Long, Zinc	7
6	58-62042-00	Diffuser, Air, Fixed (Rectangular, 3 x 7 Inches), (Used On -02 Assembly Only)	4
7	68-63703-00	Cover	1
8	68-07962-00	Grille	1

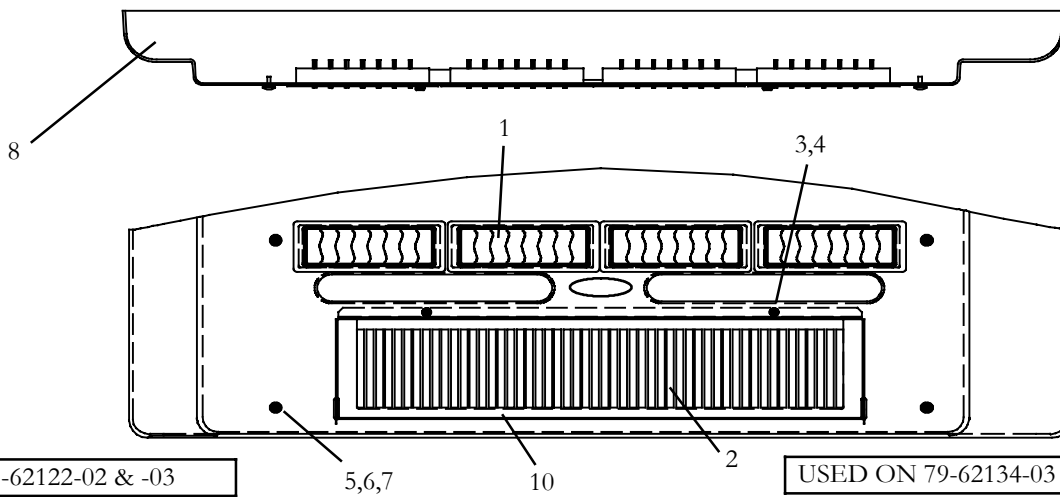


1.11.4 COVER ASSEMBLY, EVAPORATOR, IW-2 (77-62134-03, -04, -05 & -06): OPTION 3



79-62122-00 & -01

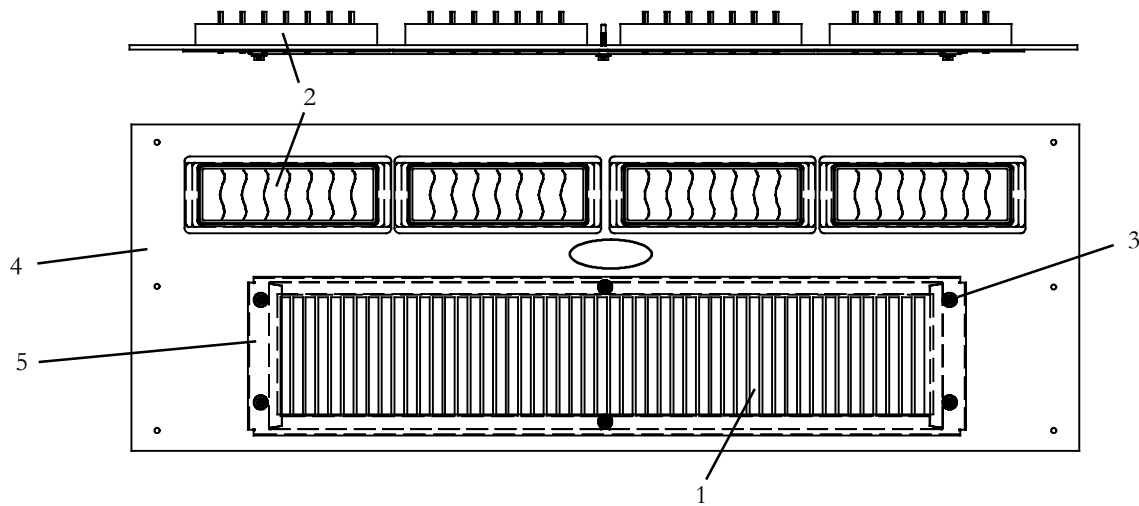
USED ON 79-62134-05 & -06



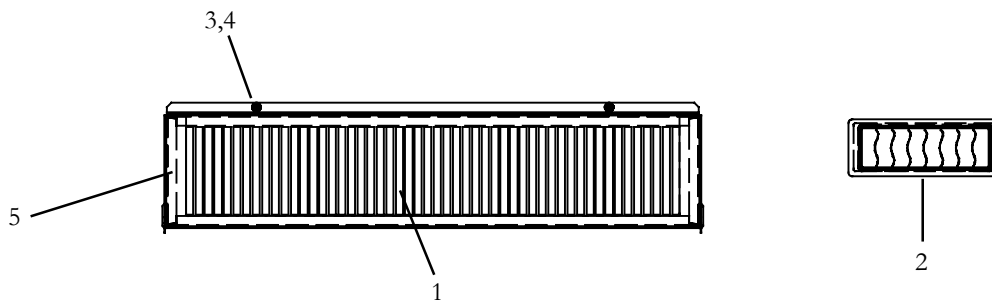
79-62122-02 & -03

USED ON 79-62134-03 & -04

Item	Part Number	Description	Qty
1	58-62042-00	Diffuser, Air, Adjustable (Rectangular)	4
2	38-00573-10	Filter, Air, IW-2 (27.88 in. X 5.75 in.)	1
3	NSI	Nut, Retaining, Tapped Hole-Chimney	2
4	AC801-307	Screw, 1/4 - 20 Knurled Head	2
5	NSI	Screw, MACH PNHD, #10-32 X 3/4 LG	4
6	AC801-529-2	Washer, .25 Dia. Snap Cap	4
7	AC801-531	Cap, Snap, White, (77-62122-00 & -02)	4
	AC801-532	Cap, Snap, Gray, (77-62122-01 & -03)	4
8	58-62203-00	Cover, IW2 Gray	1
	58-62203-01	Cover, IW2 White	1
9	58-62203-02	Cover, IW2 Gray	1
	58-62203-03	Cover, IW2 White	1
10	68-63754-00	Grille, IW2	1

1.11.4 COVER ASSEMBLY, EVAPORATOR, IW-2 (77-62134-07 & -08): OPTION 4


Item	Part Number	Description	Qty
1	38-00573-06	Filter, Air, IW-2 (26.3 in. X 5.75 in.)	1
2	58-62042-00	Diffuser, Air, Adjustable Rect.	4
3	NSI	Screw, Hex Washhd, #10 -32 x 1.25	6
4	58-62206-01	Cover, IW2 Gray	1
	58-62206-00	Cover, IW2 White	1
5	68-63616-01	Grille, IW2	1

1.11.4 COVER ASSEMBLY, EVAPORATOR, IW-2 (77-62134-12) COMPONENTS SUPPLIED: OPTION 5


Item	Part Number	Description	Qty
1	38-00573-10	Filter, Air, IW-2 (27.88 in. X 5.75 in.)	1
2	58-62042-00	Diffuser, Air, Adjustable Rect.	4
3	NSI	Nut, Retaining, Tapped Hole-Chimney	2
4	AC801-307	Screw, 1/4 - 20 Knurled Head	2
N/S	NSI	Screw, Panhd, #10 -16 x .75 Black	6
N/S	AC801-414	Gasket, 3/8 x 1 in. soft	3 ln.ft.
5	68-63754-00	Grille, IW2	1

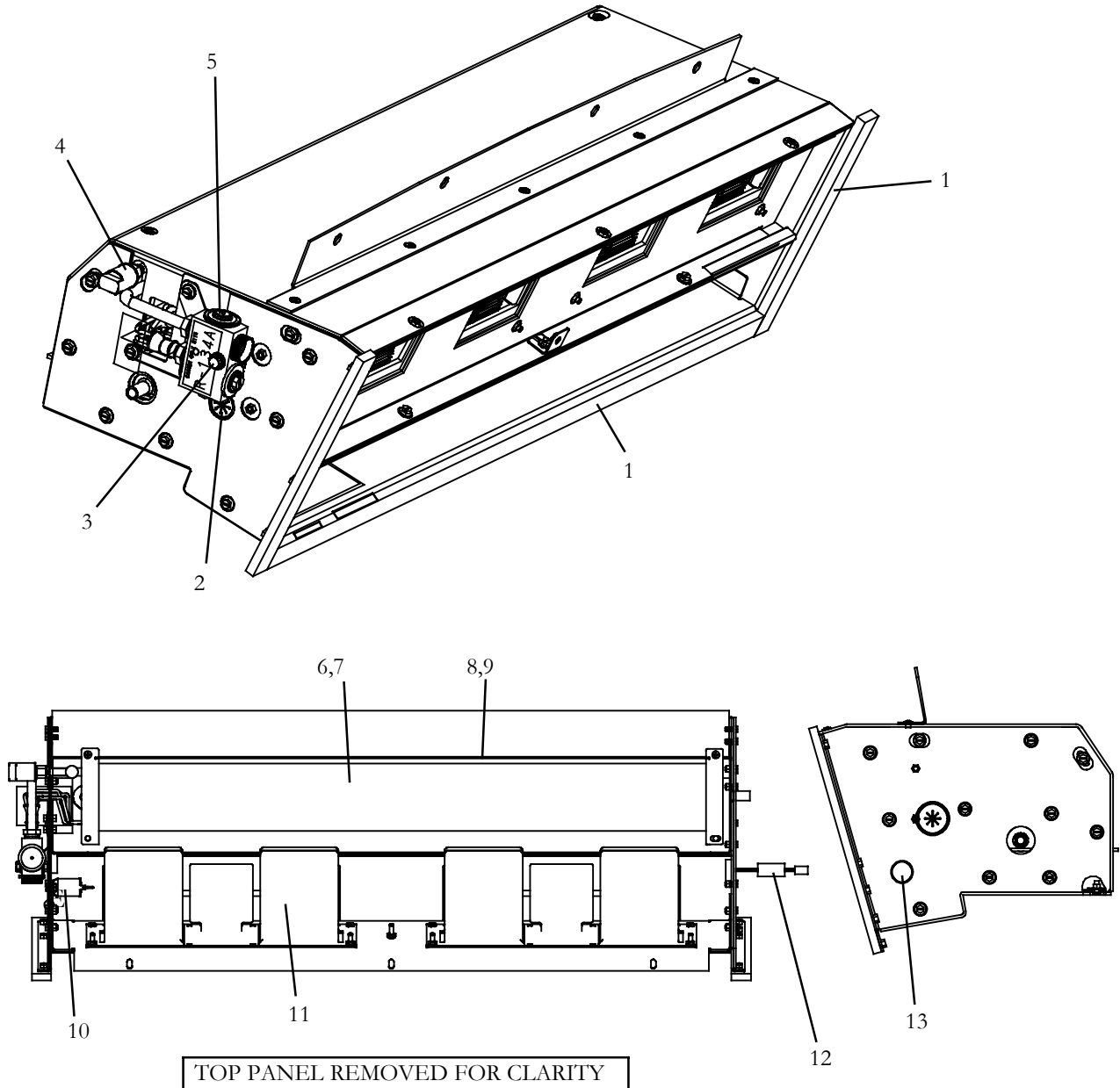
1.12 IW-4 IN-WALL EVAPORATORS

OPTION TABLE - IW-4,
12 VDC - 3 Speed

MODEL IW-4 77-62230	Cover Kit <small>(see Section 1.12.3)</small>	Chassis Kit <small>(see Section 1.12.1)</small>	Wire Harness <small>(see Section 1.12.2)</small>
-00	1	1	1
-01	2	1	2



1.12.1 EVAPORATOR, IW-4 (77-62230-00 & -01) : OPTION 1



TOP PANEL REMOVED FOR CLARITY

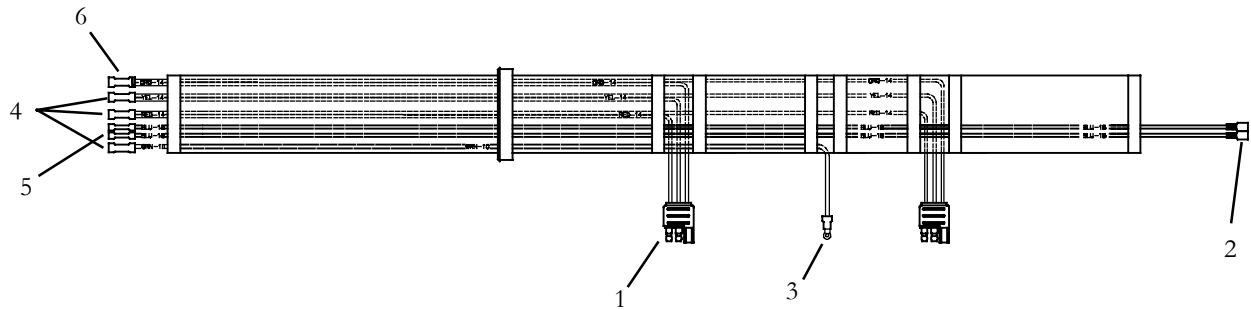
Item	Part Number	Description	Qty
N/S	77-62227-XX	Evaporator Chassis Assembly, IW-4 - Includes:	1
1	AC801-415	...Trim, Flexible	5 ft.
2	58-00661-04	...Bushing, 1.00 DIA Hole	1
3	AC701-101	...Nut, Speed, "J" Type ¼-20	1
4	AC201-412	...Pressure Switch, Low	1
5	14-00397-00	...Valve, Expansion	1
6	08-62080-00	...Coil, Evaporator, IW-4	1
7	AC022-743-9	...Gasket, ½ THK	1



1.12.1 EVAPORATOR, IW-4, (77-62230-00 & -01) - Continued: OPTION 1			
Item	Part Number	Description	Qty
8	86-62557-00	...Weld Assembly, Drain Pan	1
9	AC022-313-4	...Baffle, Drain Pan	1
10	12-00685-00	...Thermostat, Freeze Up Non-Adjustable	1
11	AC401-203	...Fan & Motor Assembly, 12 VDC	2
12	22-62294-00	...Harness, Evaporator, (Used on 77-62230-00) (See Section 1.12.2)	1
	Y25-00006-00	...Harness, Evaporator, (Used on 77-62230-01) (See Section 1.12.2)	1
13	Y39-00004-20	...Plug, Hole	1

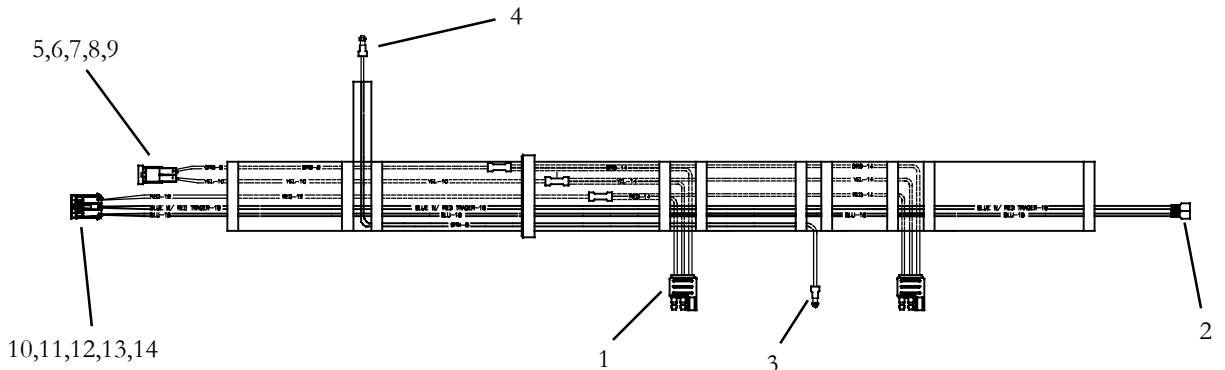
NOTE: Complete Wire Harnesses are Non-Stock Items. Replace Components are Listed.

1.12.2 EVAPORATOR HARNESS, IW-4 12VDC (22-62294-00 & Y25-00104-00) : OPTION 1



Item	Part Number	Description	Qty
1	22-62002-00	Connector, Plug (Motor)	2
2	22-01258-01	Terminal, Female Push-On, 18/22 AWG	2
3	22-01140-02	Terminal, Ring #10, 12/10 AWG	1
4	22-00066-03	Terminal, Butt Splice, 12/10 AWG	3
5	22-00066-01	Terminal, Butt Splice, 22/18 AWG	2
6	22-62221-02	Terminal, Butt, Step Down 12/10 - 8 AWG	1

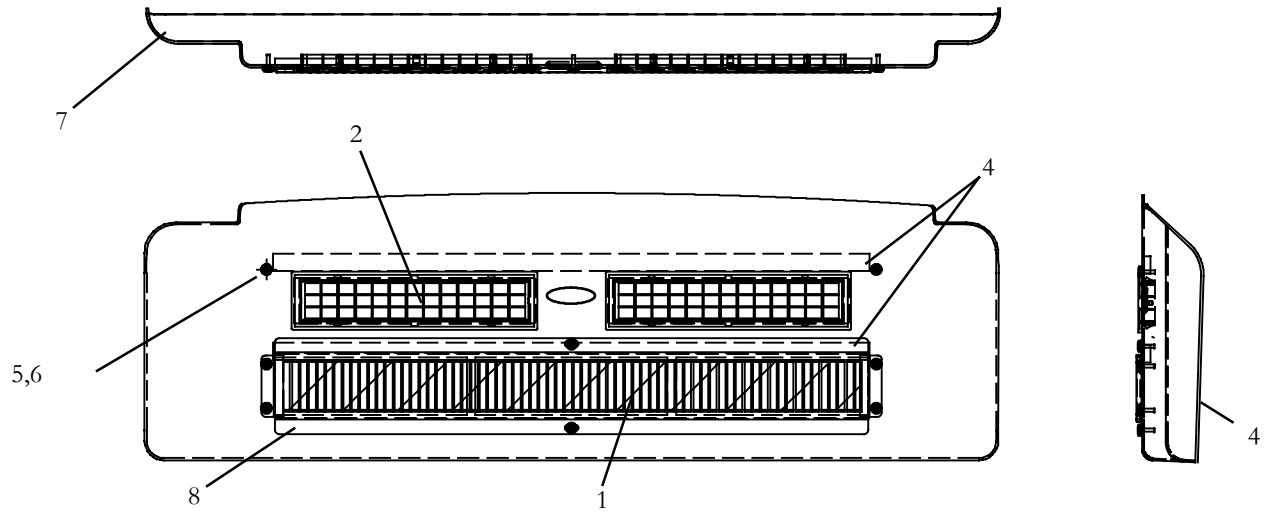
1.12.2 EVAPORATOR HARNESS, IW-4 12VDC (Y25-00006-00 & Y25-00105-00): OPTION 2



Item	Part Number	Description	Qty
1	22-62002-00	Connector, Plug (Motor)	2
2	22-01258-01	Terminal, Female Push-On, 18/22 AWG	2
3	22-00872-01	Terminal, Ring #10, 8 AWG	1
4	22-00872-03	Terminal, Ring, 5/16, 8 AWG	1
5	22-50098-67	Connector, 2 Pin Male	1
6	22-50098-67A	Terminal, Male, 10 AWG	1
7	22-50098-67B	Terminal, Male, 7-9 AWG	1
8	22-50098-67C	Cable Seal, 10 AWG	1
9	22-50098-67D	Cable Seal, 7-9 AWG	1
10	22-50078-86	Connector, 3 Pin Male	1
11	22-50078-49A	Terminal, Male, 18 AWG	2
12	22-50078-49C	Terminal, Male, 12 AWG	1
13	22-50078-53C	Cable Seal, 18 AWG	2
14	22-50078-53D	Cable Seal, 12 AWG	1



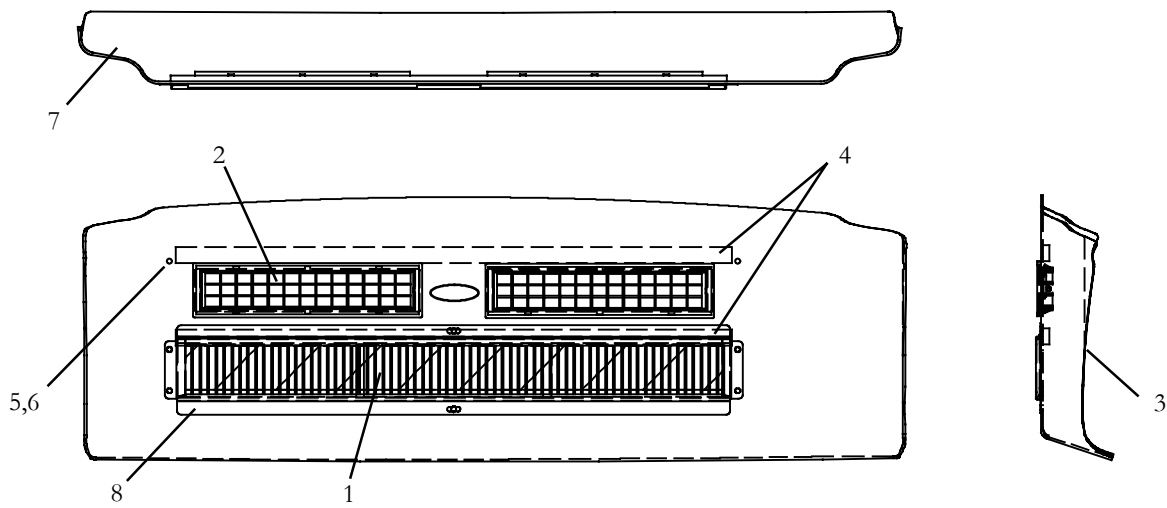
1.12.3 COVER ASSEMBLY, IW-4 USED ON (77-62230-00): OPTION 1



Item	Part Number	Description	Qty
-	79-62119-00	Cover Assembly, IW-4, TBB C2 Aftermarket, INCLUDES:	1
1	38-00573-11	...Filter, Air	1
2	58-62209-00	...Diffuser, Air	2
3	AC801-412	...Trim, Flexible	10.8 ft.
4	AC801-414	...Gasket	5.8 ft.
5	AC-801-529-2	...Washer, .25 DIA. Snap Cap	8
6	58-62217-04	...Cap, Snap, Dark Gray	8
7	58-62156-12	...Cover, White	1
8	68-63808-01	...Grille	1



1.12.3 COVER ASSEMBLY, IW-4 USED ON (77-62230-01): OPTION 2



Item	Part Number	Description	Qty
-	79-62119-01	Cover Assembly, IW-4, TBB C2, OEM, INCLUDES:	1
1	38-00573-11	...Filter, Air	1
2	58-62209-00	...Diffuser, Air	2
3	AC801-412	...Trim, Flexible	10.8 ft.
4	AC801-414	...Gasket	5.8 ft.
5	AC-801-529-2	...Washer, .25 DIA. Snap Cap	8
6	58-62217-04	...Cap, Snap, Dark Gray	8
7	Y28-00014-00	...Cover, Gray	1
8	68-63808-01	...Grille	1

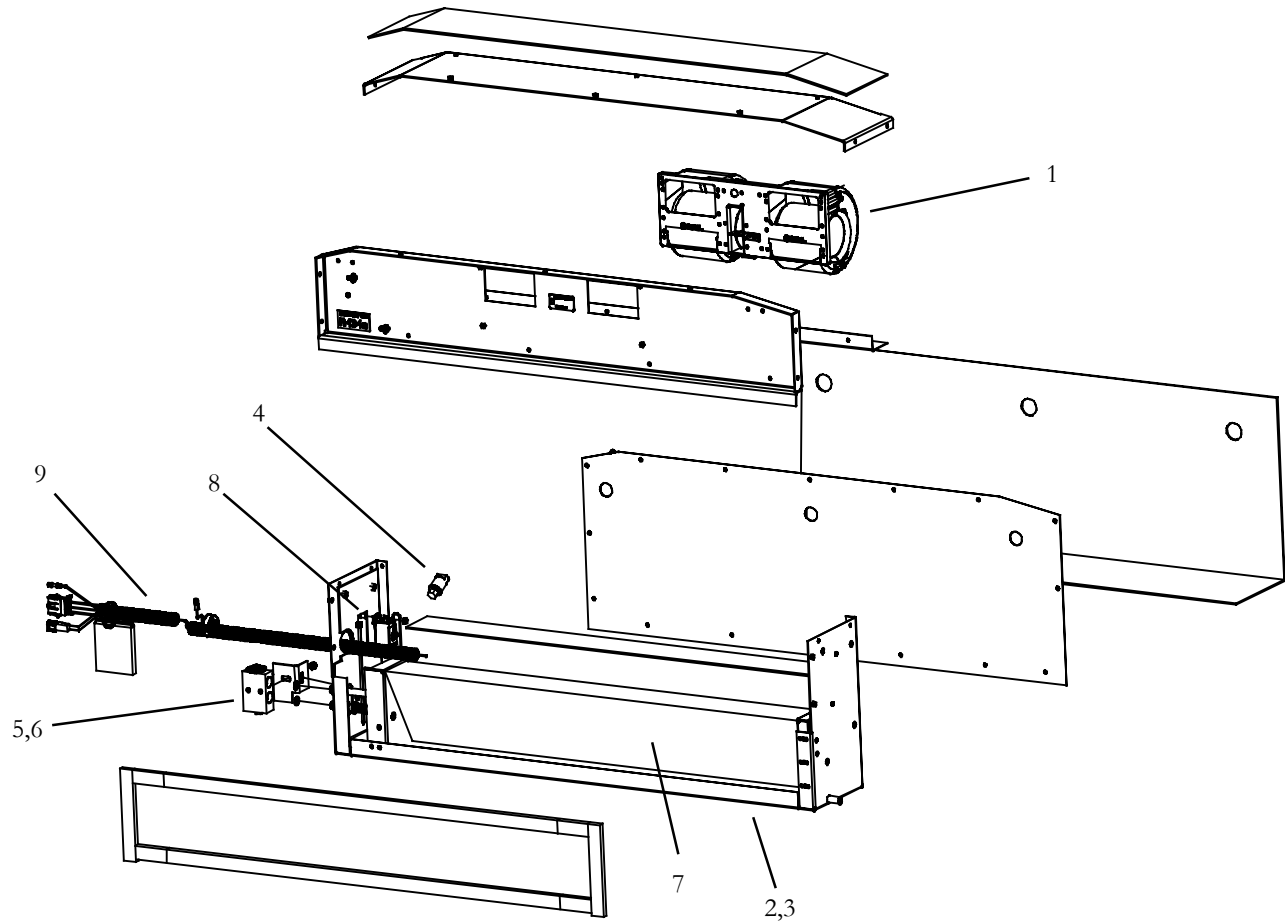
1.13 IW-5 IN-WALL EVAPORATORS

OPTION TABLE - IW-5, 12 VDC - 3 Speed

MODEL IW-5 Y19-IW501	Cover Kit <small>(see Section XXX)</small>	Chassis Kit <small>(see Section 1.13.1)</small>	Wire Harness <small>(see Section 1.13.2)</small>	Mount Brackets <small>(see Section 1.13.3)</small>
-00	-	1	1	1
-01	-	1	1	1



1.13.1 EVAPORATOR, IW-5, Y19-IW501-00: OPTION 1

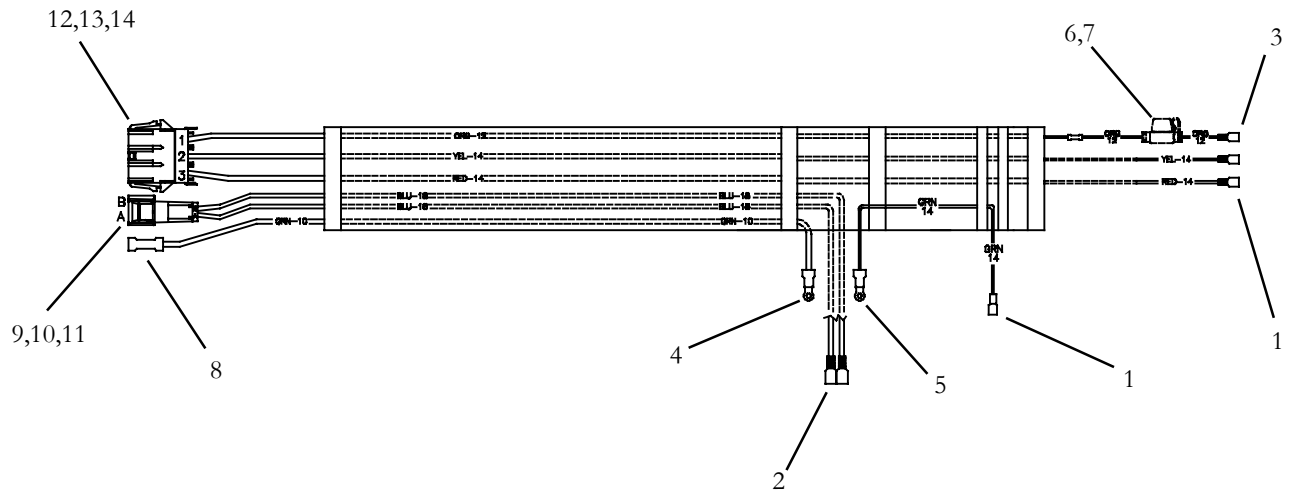


Ref: Y73-IW501-00, -01 & -10

Item	Part Number	Description	Qty
-	-	Evaporator Chassis Assembly, IW-5 - Includes:	NSI
1	Y15-00003-00	...Blower Assembly, 12V	1
2	86-62460-00	...Drain Pan, Weld Assembly	1
3	022-313-1	...Baffle, Drain Pan	1
4	201-412	...Pressure Switch, Low	1
5	14-00397-00	...Valve, Expansion	1
6	801-202	...O-Rings, 1/2" HNBR	2
7	08-62056-01	...Coil, Evaporator, IW-5	1
8	12-00685-00	...Thermostat, Freeze	1
9	NSI	...Wire Harness (See Section 1.13.2)	1



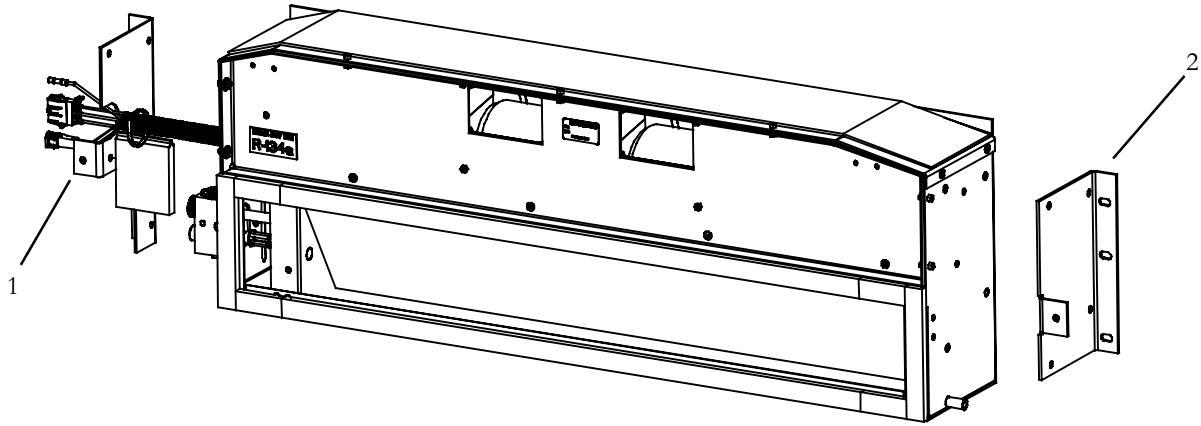
1.13.2 EVAPORATOR HARNESS , IW-5: OPTION 1



Ref: Y25-00117-00

Item	Part Number	Description	Qty
1	22-01141-01	Terminal, Female Push-On, 16/14 AWG	3
2	22-01258-01	Terminal, Female Push-On, 18/22 AWG	2
3	31-1247	Terminal, Female Push-On, 12/10 AWG	1
4	22-01140-02	Terminal, Ring #10, 12/10 AWG	1
5	22-01139-02	Terminal, Ring #10, 16/14 AWG	1
6	22-02338-07	Fuse Holder w/Cap	1
7	22-02336-25	Fuse, Mini, 20A	1
8	22-00066-03	Terminal, Butt Splice 12/10 AWG	1
9	22-50099-37	Connector, Male, Unsealed	1
10	22-50099-37A	. . . Terminal, Male, 16/18 AWG	2
11	22-50099-37D	. . . TPA	1
12	22-50099-32	Connector, Plug Housing 3 Way	1
13	Y31-00033-01	. . . Terminal, Male, 10/12 AWG	1
14	Y31-00033-02	. . . Terminal, Male, 14/16 AWG	2

1.13.3 EVAPORATOR MOUNTING BRACKETS, IW-5: OPTION 1

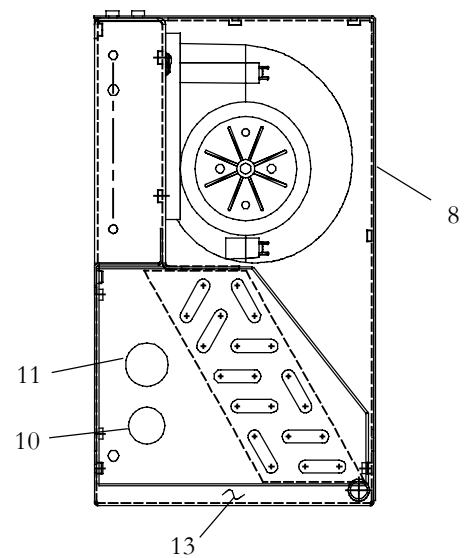
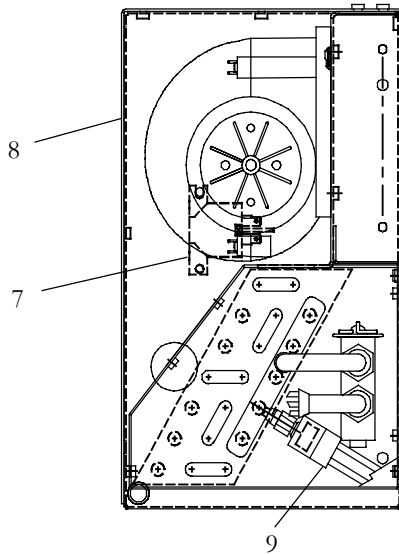
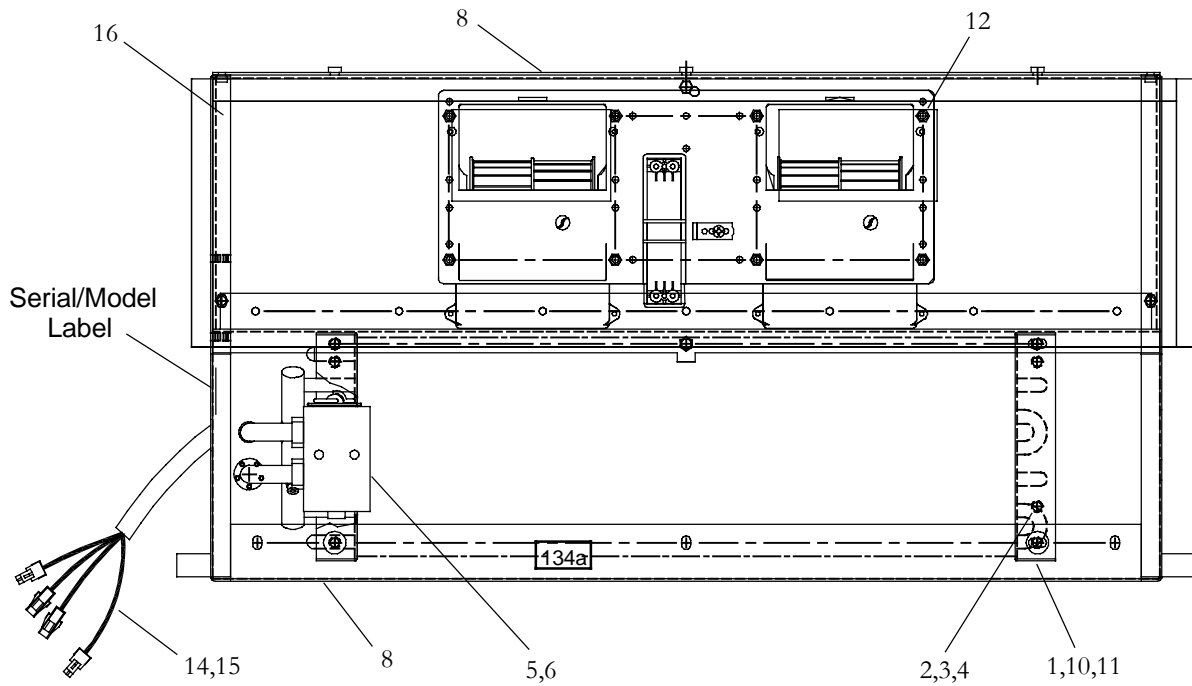


Ref: Y73- IW501- 10

Item	Part Number	Description	Qty
1	Y24-00186-00	Bracket, Mounting, BB-CV/T3	1
2	Y24-00187-00	Bracket, Mounting, BB-CV/T3	1

1.14 IW-7 IN-WALL EVAPORATORS

1.14.1 EVAPORATOR, IW-7 (77-62131-00)

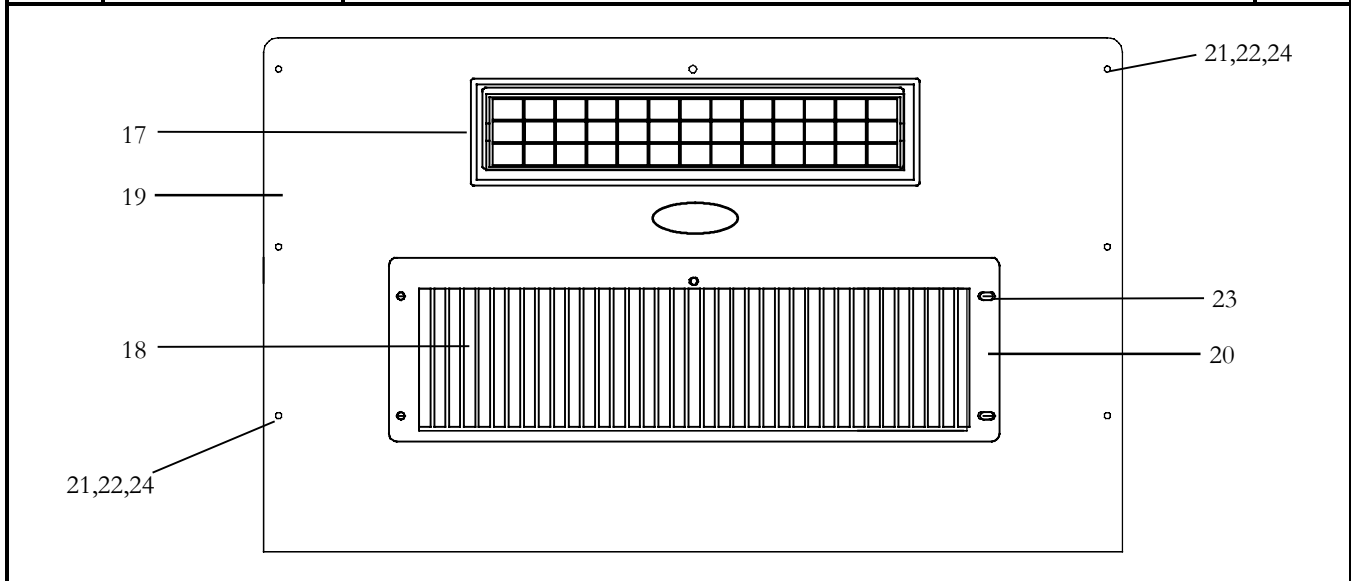


Item	Part Number	Description	Qty
-	NSS	Evaporator Chassis Assembly, IW-7 - Includes:	1
1	08-62045-00	...Coil, Evaporator, IW-7 - Includes:	1
2	40-01124-00Body, Valve, Schrader, Brass, 1/4 SAE Flare - Includes:	1



1.14.1 EVAPORATOR, IW-7, (77-62131-00) - Continued:

Item	Part Number	Description	Qty
3	14-00351-00Core, Access Valve, (Nickel Plated)	1
4	DD19CA061Cap, Seal, Flare, 1/4 Inch	1
5	14-00397-00	...Valve, Thermal Expansion Block, (R134a)	1
6	AC801-202	...O-Ring, 1/2 Inch HNBR	2
7	12-00547-00	...Thermostat, Freeze-Up, Non Adjustable	1
8	AC801-416	...Gasket, Foam, 1/8 X 12-3/4 Inch (25 Ft. Roll)	1
9	AC201-412	...Switch, Low Pressure	1
10	58-00065-26	...Grommet, 3/4 Inch I.D.	2
11	58-00065-83	...Grommet, 1 Inch I.D.	2
12	54-00606-00	...Fan & Motor Assembly, Permanent Magnet, 12 VDC	1
13	AC022-313-3	...Baffle, Drain Pan	1
14	22-62175-00	...Harness, Evaporator, IW-7, Includes:	1
15	AC201-600Diode, 6 Amp, 250 Volt	1
N/S	42-00032-01	...Tape, Insulation, Pressstite, 2.00 X 48.00 Inches Long	1
16	AC801-414	...Gasket, Foam, 3/8 X 1.00 Inch, (25 Foot Roll)	1
17	AC401-320	Diffuser, Air, EM-1/2/3/6, GEN 3 (Used With OEM Supplied Grill Assy)	1
18	38-00573-05	Filter, Air, IW-7, (5.5 X 19. Inches) (Used With OEM Supplied Grill Assy)	1
19	68-07965-00	Cover	1
20	68-07965-00	Grille	1
21	AC801-529	Washer, Snap Cap	12
22	AC801-531	Cap, Snap, White	12
23	NSI	Screw, Pan Head, TF, #10-16 X .63 Inch Long	6
24	NSI	Screw, Pan Head, #10-32 X .50 Inch Long, Zinc	6

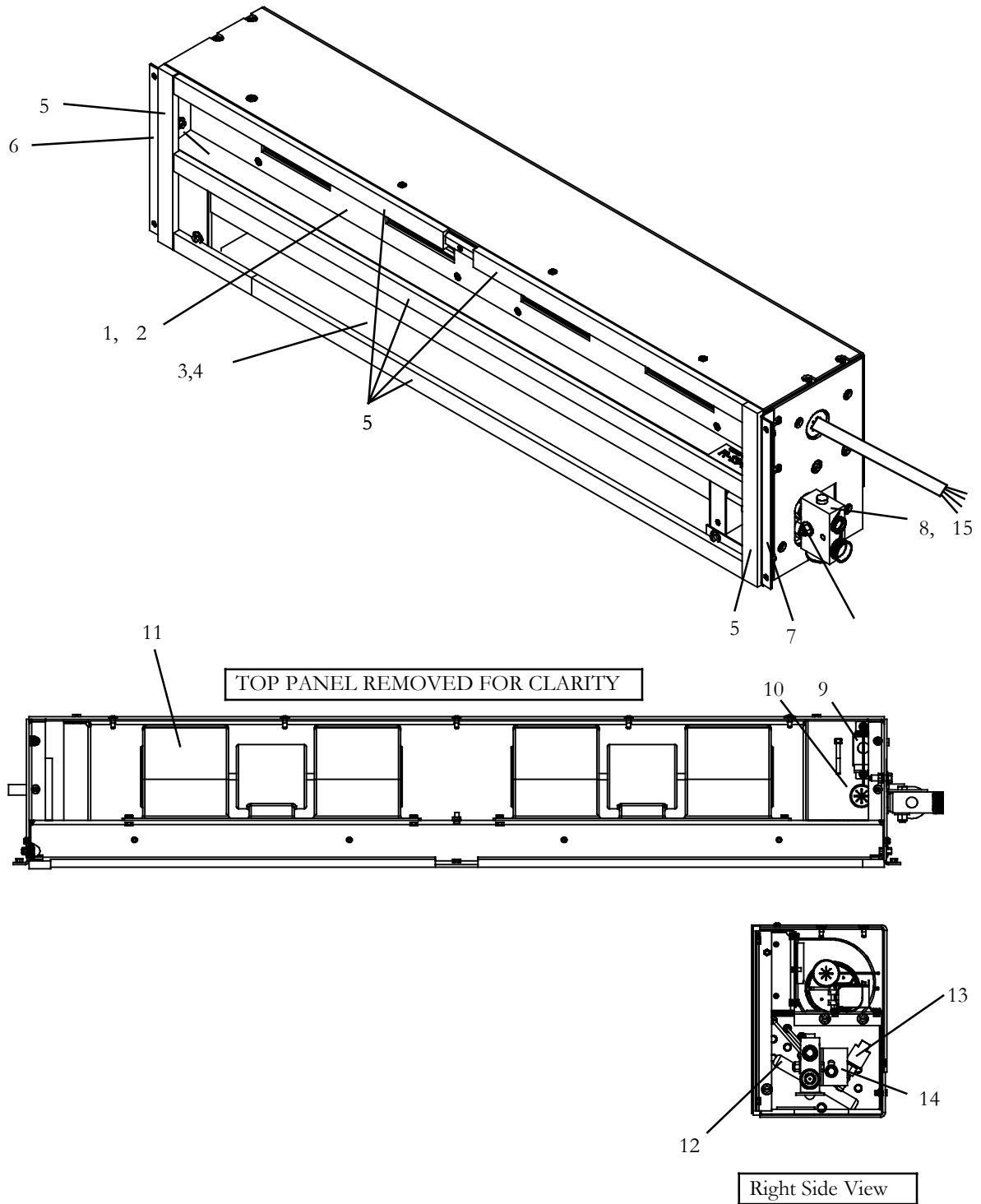


1.15 IW-10 IN-WALL EVAPORATORS

OPTION TABLE - IW-10, 12 VDC - 3 Speed

MODEL IW-10 77-62233	Cover Kit <small>(see Section 1.15.4)</small>	Chassis Kit <small>(see Section 1.15.1)</small>	Wire Harness <small>(see Section 1.15.3)</small>	Mount Brackets <small>(see Section 1.15.2)</small>
-00	5	2	1	1
-01	5	2	1	1
-02	-	2	1	1
-03	2	2	1	1
-04	2	2	2	2
-05	3	2	1	1
-06	4	2	1	1
-07	6	2	1	1

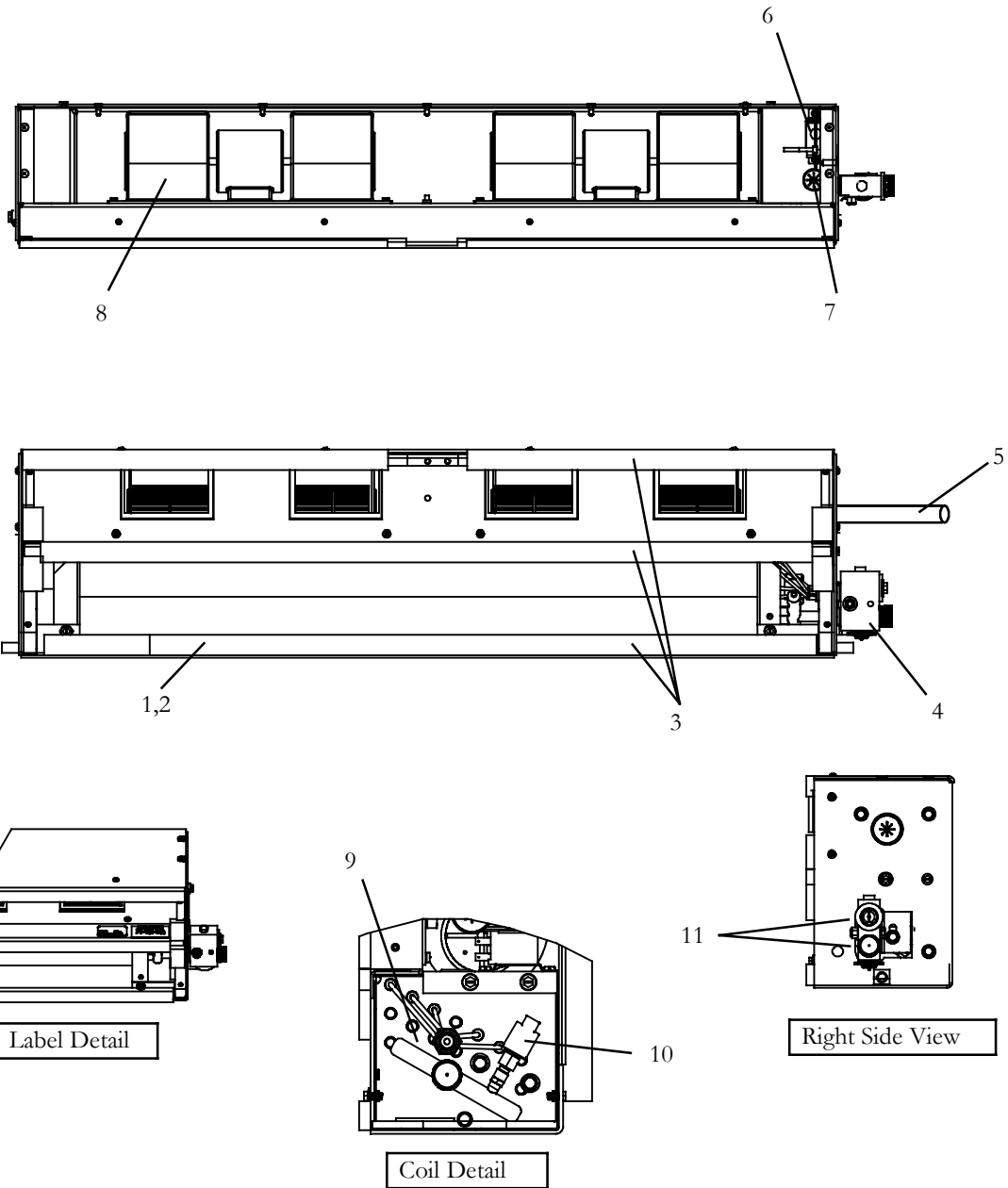
1.15.1 EVAPORATOR, Chassis Kit (77-62200-00), IW-10, (INACTIVE): OPTION 1





1.15.1 EVAPORATOR, Chassis Kit (77-62200-00), IW-10, (INACTIVE) Continued: OPTION 1			
Item	Part Number	Description	Qty
-	NSS	Evaporator Chassis Assembly, IW-10 - Includes:	1
1	68-63727-00	...Blower Panel Assembly	1
2	42-01266-00	...Insulation, Blower Panel Assembly	1
3	86-62509-00	...Weld Assembly, Bottom (Drain Pan w/Side Panels)	1
4	AC022-313-5	...Baffle, Drain Pan	1
5	AC801-414	...Gasket, 3/8 x 1 in. Soft	12 ft
6	68-08250-00	...Bracket, Mounting, LH	1
7	68-08211-00	...Bracket, Mounting, RH	1
8	14-00397-00	...Valve, Expansion (TXV)	1
9	12-00685-00	...Thermostat, Freeze Up, Non-Adjustable	1
10	58-00661-04	...Bushing, 1.00 in. DIA. Hole	1
11	AC401-203	...Fan & Motor Assembly	2
12	08-62076-00	...Coil Assembly, Evaporator	1
13	AC201-412	...Pressure Switch, Low	1
14	68-63410-00	...Bracket, TXV Mounting	1
15	AC801-202	...O-Ring,	2

1.15.1 EVAPORATOR, Chassis Kit (77-62200-02 & -03), IW-10 : COMMOM PARTS: OPTION 2





1.15.1 EVAPORATOR, Chassis Kit (77-62200-02 & -03), IW-10 : COMMOM PARTS : OPTION 2 (Continued)			
Item	Part Number	Description	Qty
-	77-62200-XX	Evaporator Chassis Assembly, IW-10 - Includes:	1
1	86-62587-00	...Weld Assembly, Bottom (Drain Pan w/Side Panels)	1
2	AC022-313-5	...Baffle, Drain Pan	1
3	AC801-414	...Gasket, 3/8 x 1 in. Soft	12 ft
4	14-00397-00	...Valve, Expansion (TXV)	1
5	22-62297-00	...Harness, Evaporator, See Section 1.15.3	1
	Y25-00000-00	...Harness, Evaporator, See Section 1.15.3	1
6	12-00685-00	...Thermostat, Freeze Up, Non-Adjustable	1
7	58-00661-04	...Bushing, 1.00 in. DIA. Hole	1
8	AC401-203	...Fan & Motor Assembly	2
9	08-62076-00	...Coil Assembly, Evaporator	1
10	AC201-412	...Pressure Switch, Low	1
11	AC801-202	...O-Ring,	2

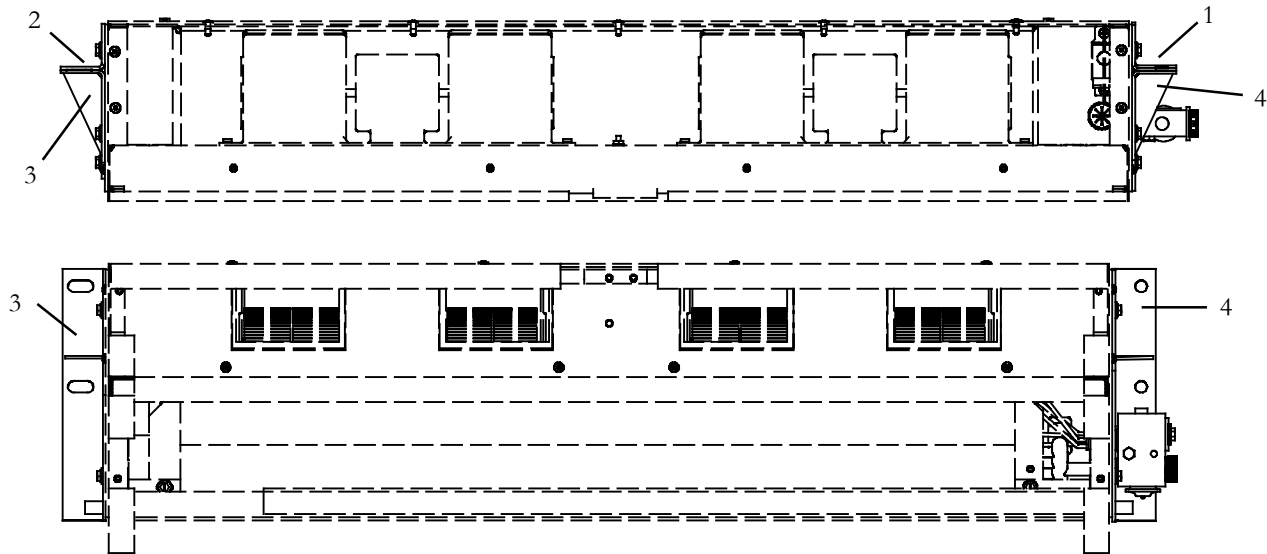


1.15.2 EVAPORATOR, Mounting Brackets, IW-10 : OPTION 1



Item	Part Number	Description	Qty
1	86-62588-00	...Weld Assembly, Mounting, RH Side	1
2	86-62589-00	...Weld Assembly, Mounting, LH Side	1

1.15.2 EVAPORATOR, Mounting Brackets, IW-10 : OPTION 2

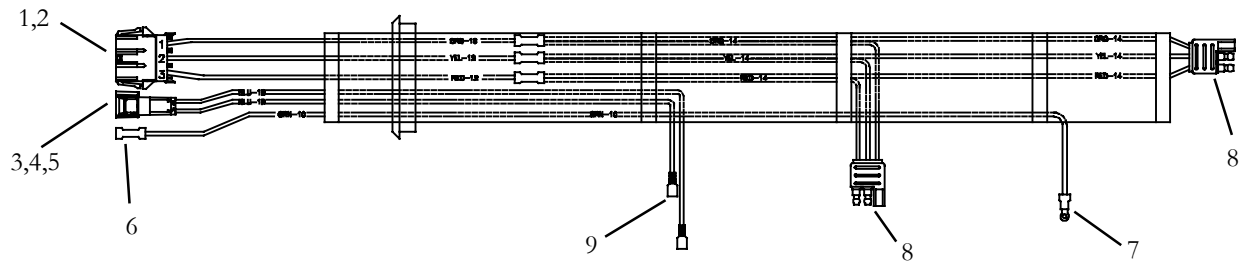


Item	Part Number	Description	Qty
1	Y24-00021-00	...Bracket, Mounting, RH Side	1
2	Y24-00022-00	...Bracket, Mounting, LH Side	1
3	Y24-00023-00	...Weld Assembly, Mounting, LH Side	1
4	Y24-00024-00	...Weld Assembly, Mounting, RH Side	1



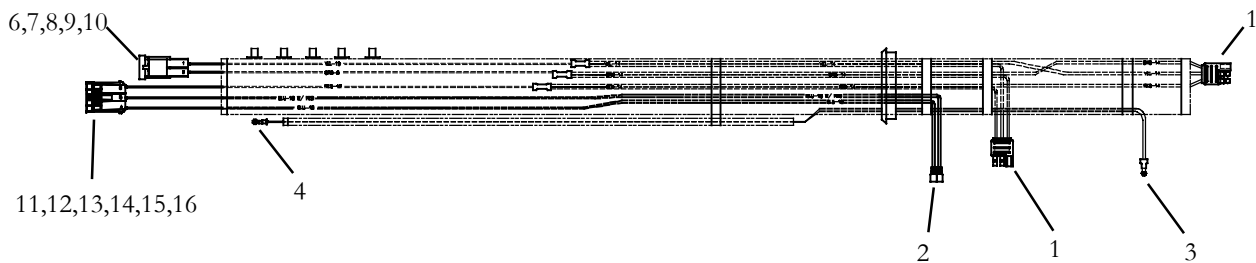
NOTE: Complete Wire Harnesses are Non-Stock Items. Replace Components are Listed.

1.15.3 EVAPORATOR HARNESS, IW-10 12VDC (22-62297-00): OPTION 1



Item	Part Number	Description	Qty
1	22-50099-32	Connector, Plug Housing (3 position)	1
2	22-50099-32A	Terminal, Male, 10/12 AWG	3
3	22-50099-37	Connector, Male Unsealed	1
4	22-50099-37A	Terminal, Male, 16/18 AWG	2
5	22-50099-37D	Lock, Secondary	1
6	22-00066-03	Terminal, Butt Splice, 10/12 AWG	1
7	22-01140-02	Terminal, Ring #10, 10/12 AWG	1
8	22-62002-00	Connector, Electrical, Motor	2
9	22-01258-01	Terminal, Female Push-on, 18/22 AWG	2

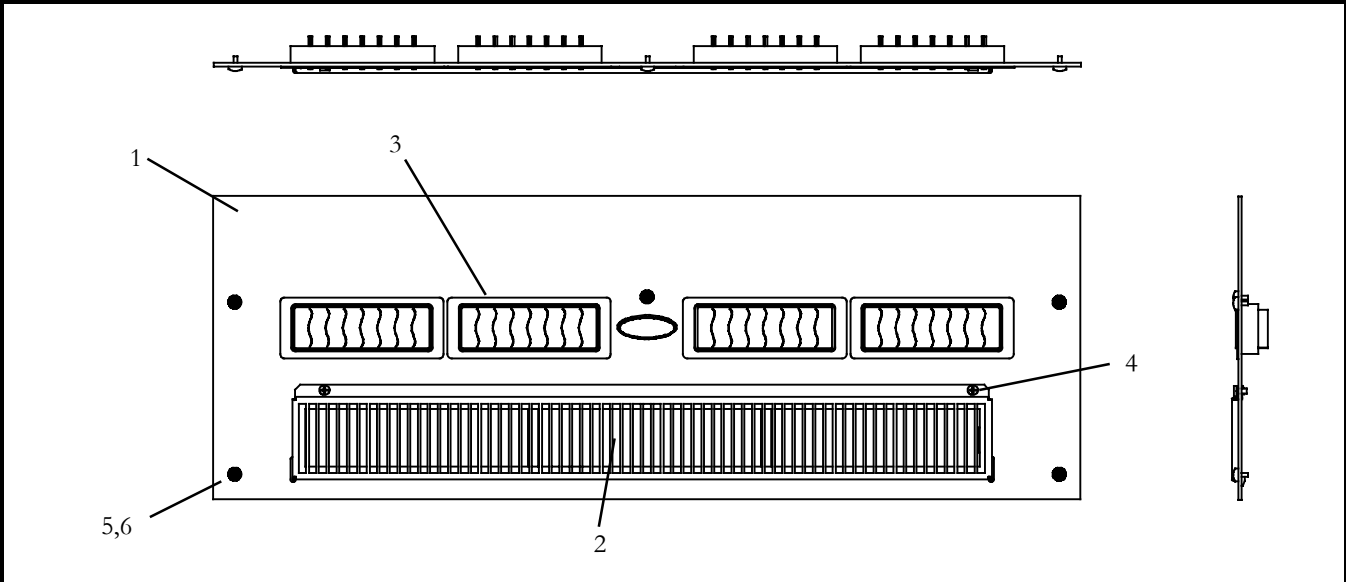
1.15.3 EVAPORATOR HARNESS, IW-10 12VDC (Y25-00000-00): OPTION 2



Item	Part Number	Description	Qty
1	22-62002-00	Connector, Plug (Motor)	2
2	22-01258-01	Terminal, Female Push-On, 18/22 AWG	2
3	22-00872-01	Terminal, Ring #10, 8 AWG	1
4	22-00872-03	Terminal, Ring 5/16, 8 AWG	1
5	58-00661-07	Bushing	1
6	22-50098-67	Connector, Male, 2 position	1
7	22-50098-67B	Terminal, Male, 8 AWG	1
8	22-50098-67D	Cable Seal, 8 AWG	1
9	22-50098-67A	Terminal, Male, 10/12 AWG	1
10	22-50098-67C	Cable Seal, 10/12 AWG	1
11	22-50078-86	Connector, Male, 3 position	1
12	22-50078-49A	Terminal, Male, 18 AWG	2
13	22-50078-53C	Cable Seal, 18 AWG	2
14	22-50078-49C	Terminal, Male, 12 AWG	1
15	22-50078-53D	Cable Seal, 12 AWG	1
16	22-50078-86A	Lock, Secondary	1



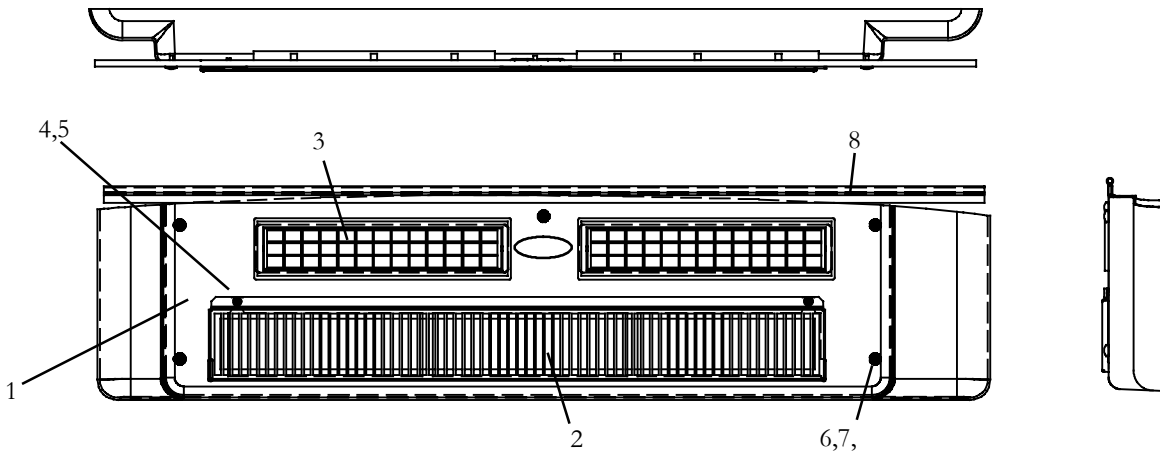
1.15.4 COVER ASSEMBLY, EVAPORATOR, IW-10: OPTION 1



Item	Part Number	Description	Qty
1	79-62125-00	Cover Assembly, White,	1
	79-62125-01	Cover Assembly, Light Gray,	1
2	38-00573-12	...Filter, Air, IW-10 (34.28 in. X 3.84 in.)	1
3	58-62042-00	...Diffuser, Air, Adjustable Rectangle	4
4	AC701-106-2	...Nut, Speed 'U', 1/4 - 20 x .19 Grip	2
5	AC801-529-1	...Washer, .15 DIA. Snap Cap	5
6	AC801-531	...Cap, Snap, White	5
	AC801-532	...Cap, Snap, Gray	5

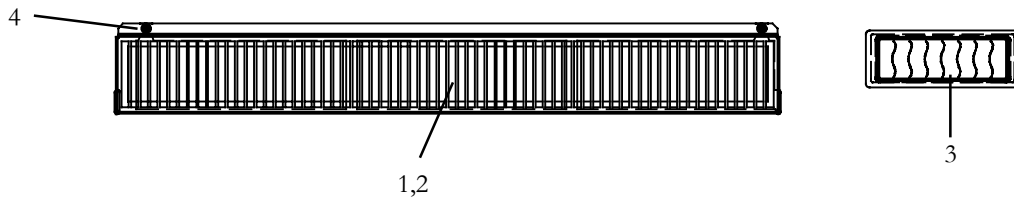


1.15.4 COVER ASSEMBLY, EVAPORATOR, IW-10: OPTION 2



Item	Part Number	Description	Qty
1	79-62125-03	...Cover, Gray, Formed, TBB Aftermarket, (Used On 77-62233-03)	1
	79-62125-04	...Cover, Gray, Formed, TBB OEM, (Used On 77-62233-04)	1
2	38-00573-12	...Filter, Air, IW-10 (34.28 in. X 3.84 in.)	1
3	58-62209-00	...Diffuser, Air, Adjustable Rectangle	2
4	AC701-106-2	...Nut, Speed 'U', ¼ - 20 x .19 Grip	2
5	AC801-307	...¼" - 20 x ¾" Screw, Nylon, Knurled Head	2
6	AC801-529-1	...Washer, .15 DIA. Snap Cap	5
7	AC801-531	...Cap, Snap, White	5
	AC801-532	...Cap, Snap, Gray	5
8	42-00264-63	...Seal, Trim, Black PVC/Neoprene	10 ft

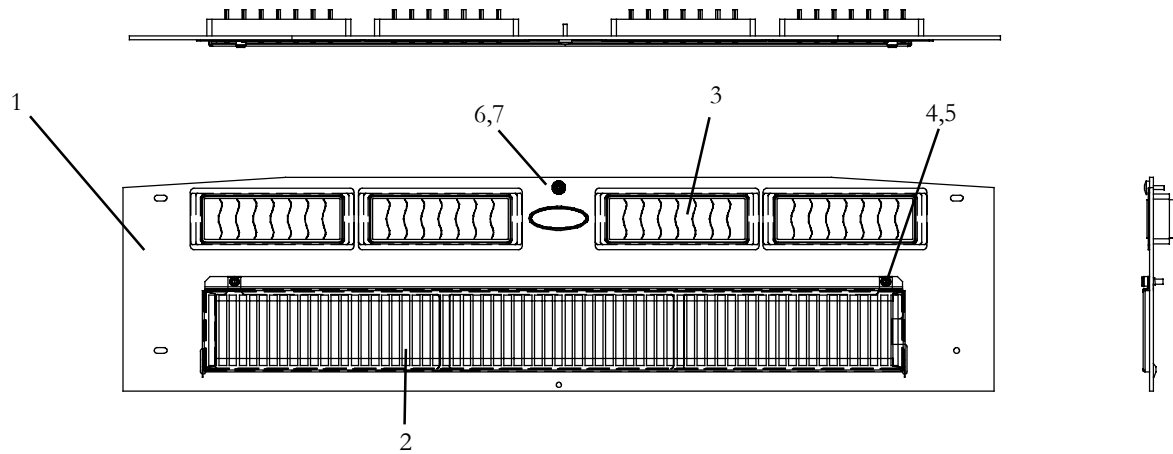
1.15.4 COVER ASSEMBLY, EVAPORATOR, IW-10: OPTION 3



Item	Part Number	Description	Qty
1	68-63737-00	Grille, Evaporator, IW-10	1
2	38-00573-12	Filter, Air, IW-10 (34.28 in. X 3.84 in.)	1
3	58-62042-00	Diffuser, Air, Adjustable Rect.	4
4	AC701-106-2	Nut, Speed 'U', ¼-20 x .19 Grip	2

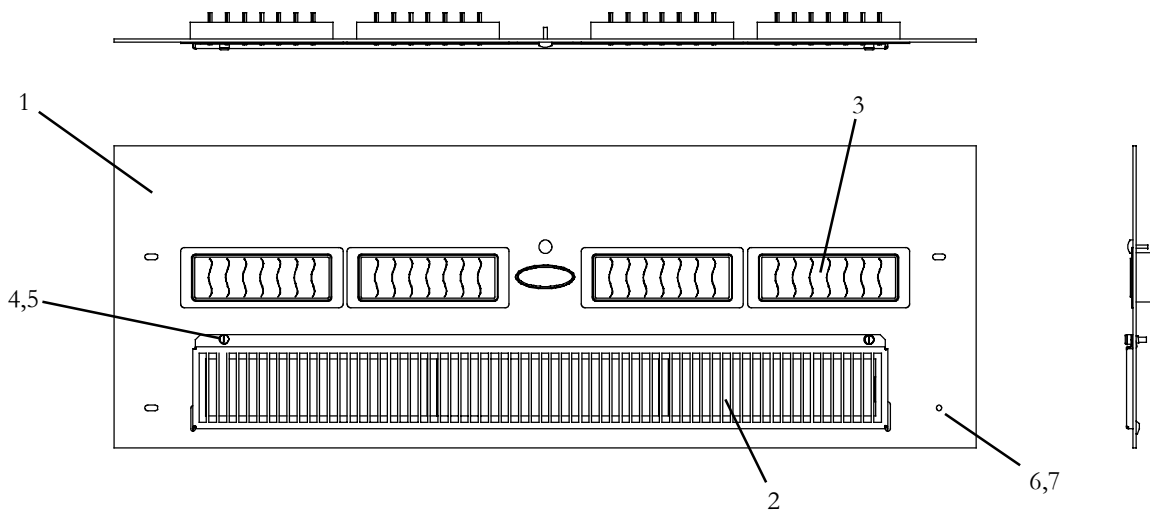


1.15.4 COVER ASSEMBLY, EVAPORATOR, IW-10: OPTION 4



Item	Part Number	Description	Qty
1	79-62125-05	...Cover, White,	1
2	38-00573-12	...Filter, Air, IW-10 (34.28 in. X 3.84 in.)	1
3	58-62042-00	...Diffuser, Air, Adjustable Rectangle	4
4	AC701-106-2	...Nut, Speed 'U', ¼ - 20 x .19 Grip	2
5	AC801-307	...¼" - 20 x ¾" Screw, Nylon, Knurled Head	2
6	AC801-529-1	...Washer, .15 DIA. Snap Cap	5
7	AC801-531	...Cap, Snap, White	5

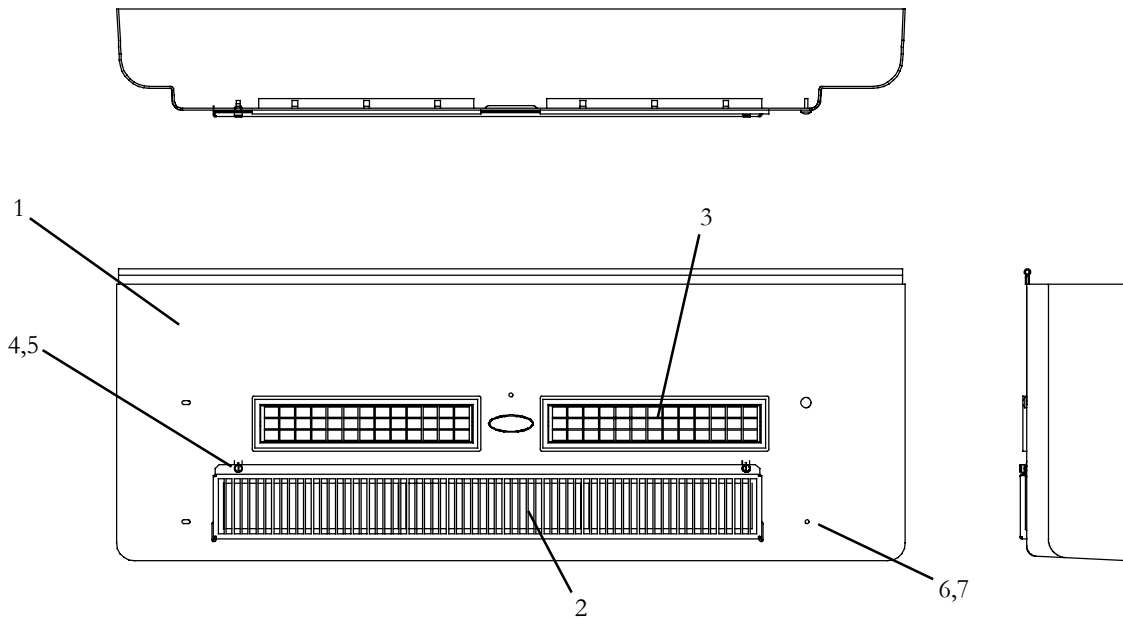
1.15.4 COVER ASSEMBLY, EVAPORATOR, IW-10: OPTION 5



Item	Part Number	Description	Qty
1	79-62125-06	...Cover, White,	1
	79-62125-07	...Cover, Gray	1
2	38-00573-12	...Filter, Air, IW-10 (34.28 in. X 3.84 in.)	1
3	58-62042-00	...Diffuser, Air, Adjustable Rectangle	4
4	AC701-106-2	...Nut, Speed 'U', ¼ - 20 x .19 Grip	2
5	AC801-307	...¼" - 20 x ¾" Screw, Nylon, Knurled Head	2
6	AC801-529-1	...Washer, .15 DIA. Snap Cap	5
7	AC801-531	...Cap, Snap, White	5



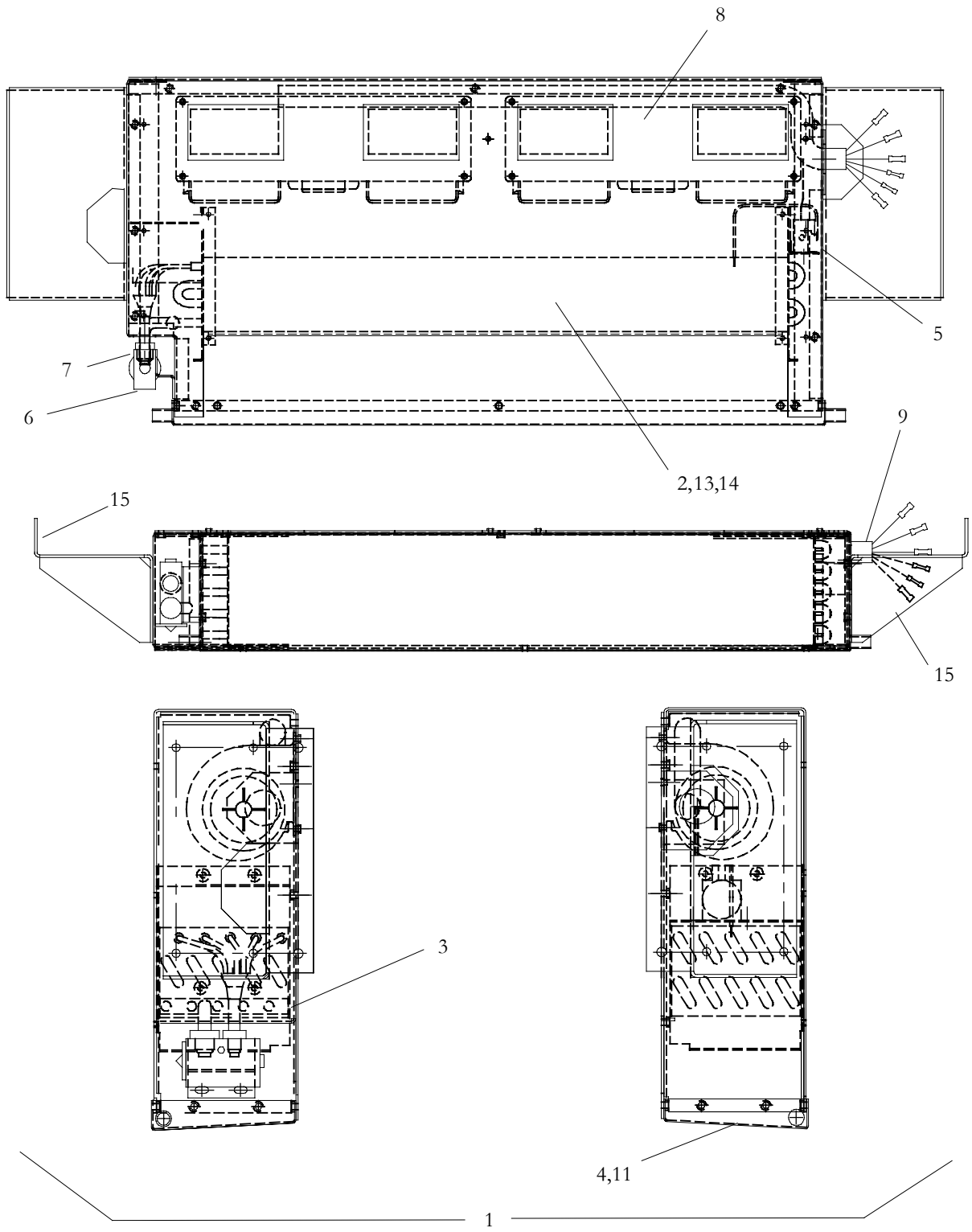
1.15.4 COVER ASSEMBLY, EVAPORATOR, IW-10: OPTION 6



Item	Part Number	Description	Qty
1	79-62125-09	...Cover, White,	1
2	38-00573-12	...Filter, Air, IW-10 (34.28 in. X 3.84 in.)	1
3	58-62209-00	...Diffuser, Air, Adjustable Rectangle	2
4	NSI	...Nut, Tapped Hole	2
5	AC801-307	...1/4" - 20 x 3/4" Screw, Nylon, Knurled Head	2
6	AC801-529-1	...Washer, .15 DIA. Snap Cap	5
7	AC801-531	...Cap, Snap, White	5

1.16 IW-14 IN-WALL EVAPORATORS

1.16.1 EVAPORATOR, IW-14, (77-62080-00)

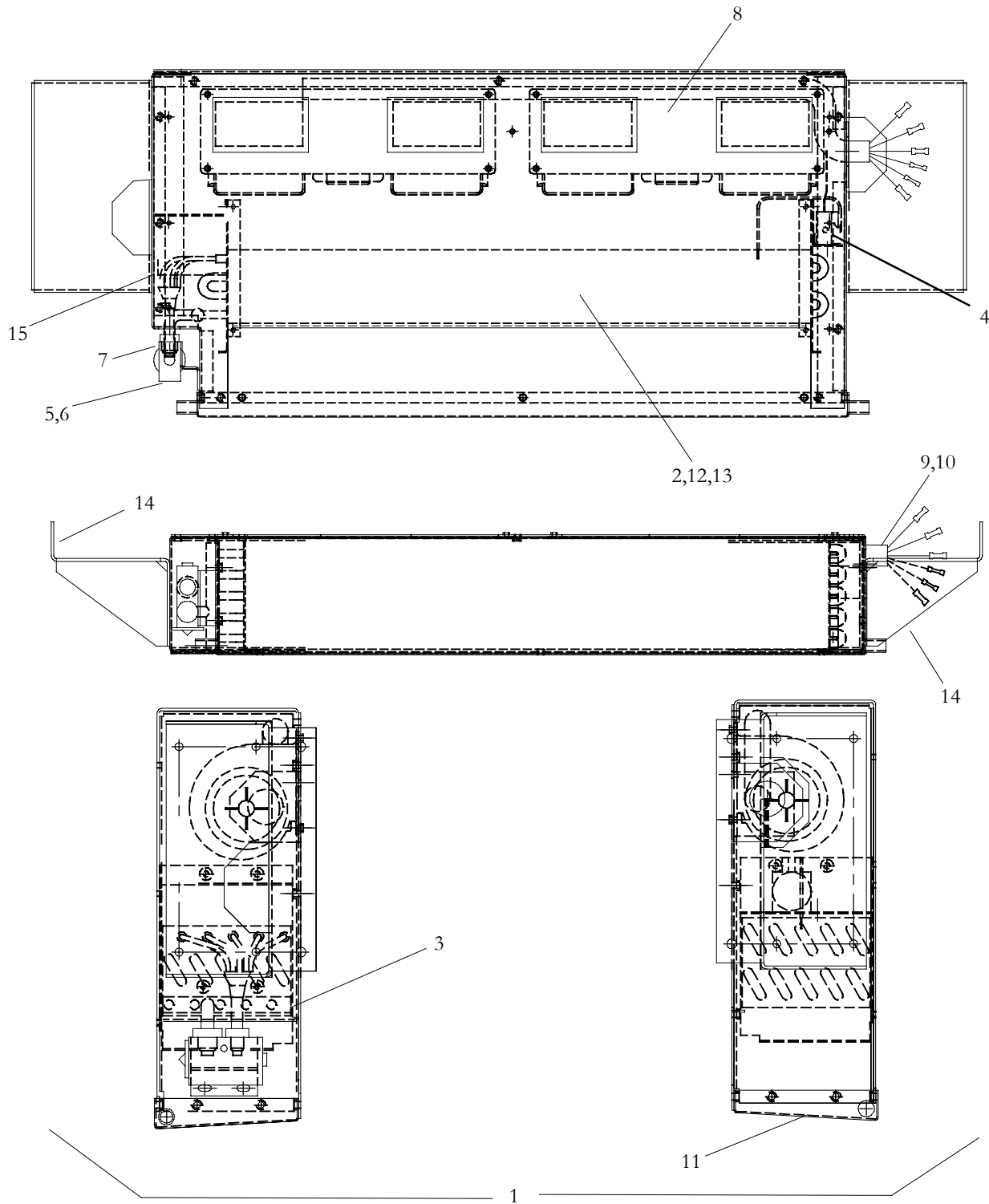




1.16.1 EVAPORATOR, IW-14, (77-62080-00) - Continued:			
Item	Part Number	Description	Qty
1	NSS	Chassis Assembly, Evaporator, IW-14 - Includes:	1
2	08-62064-00	...Coil Assembly, 4 Row, W/O Reheat	1
3	AC801-416	...Gasket, Foam, 1/8 X 12-3/4 Inch (300Ft. Roll)	1
4	AC022-746-1	...Gasket, Drain Pan, .50 Thick X 5.50 X 33.25	1
5	12-00685-00	...Thermostat, Freeze-Up, Non Adjustable	1
6	14-00397-00	...Valve, Thermal Expansion Block, (R134a)	1
7	AC801-202	...O-Ring, 1/2 Inch HNBR	2
8	AC401-203Blower Assembly, EM-14, 12 VDC	2
9	AC022-744Harness, Evaporator, EM-14, (12/24 VDC) - Includes:	1
10	22-62002-00Connector, Molded Plug With 60.00 Inch leads	2
11	86-62262-00	...Panel Assembly, Drain Pan	1
12	42-00032-00	...Tape, Insulation, Presstite, 2.00 Inch X 30 Feet Long	1
13	AC801-414	...Gasket, Foam, 3/8 X 1 Inch X 25 Foot Roll	1
14	AC022-743	...Gasket, Foam, 0.12 Thick X 3.50 Wide X 26.25 Inches Long	1
15	68-63268-00	...Bracket, Mounting	2



1.16.2 EVAPORATOR, IW-14, WITH LP SWITCH (77-62080-01)

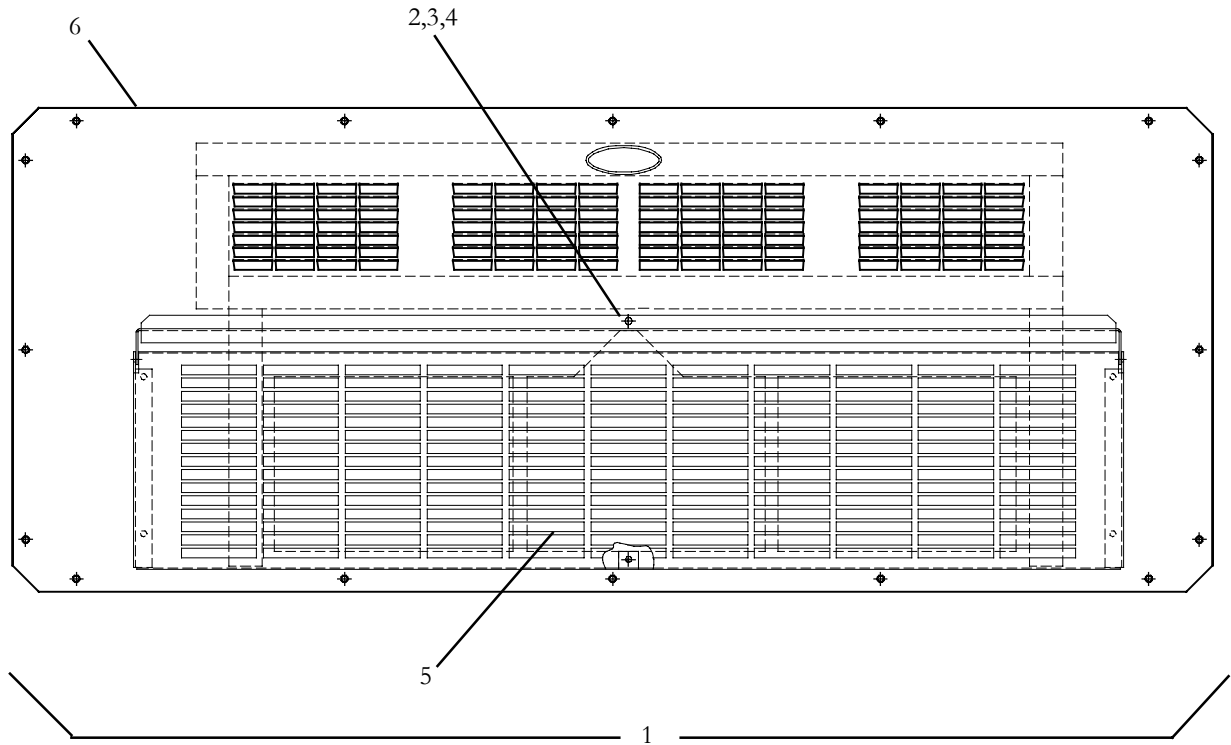




1.16.2 EVAPORATOR, IW-14, WITH LP SWITCH (77-62080-01) - Continued:			
Item	Part Number	Description	Qty
1	NSS	Chassis Assembly, Evaporator, IW-14 - Includes:	1
2	08-62064-00	...Coil Assembly, 4 Row - Includes:	1
3	AC801-416	...Gasket, Foam, 1/8 X 12-3/4 Inch x 25 Feet Roll	1
4	12-00685-00	...Thermostat, Freeze-Up, Non Adjustable	1
5	14-00397-00	...Valve, Thermal Expansion Block, (R134a)	1
6	42-00032-00	...Tape, Insulation, Presstite, 2.00 Inch X 30 Feet Long	1
7	AC801-202	...O-Ring, 1/2 Inch HNBR	2
8	AC401-203Blower Assembly, EM-14, 12 VDC	2
9	22-62240-01Harness, Evaporator, EM-14, (12/24 VDC) - Includes:	1
10	22-62002-00Connector, Molded Plug With 60.00 Inch leads	2
11	86-62497-00	...Drain Pan Assembly,	1
12	AC801-414	...Gasket, Foam, 3/8 X 1 Inch X 25 Foot Roll	1
13	AC022-743	...Gasket, Foam, 0.12 Thick X 3.50 Wide X 26.25 Inches Long	1
14	68-63268-00	...Bracket, Mounting	2
15	AC201-412	...Switch, Low Pressure	1



1.16.3 GRILL ASSEMBLY, EVAPORATOR, IW-14, (77-62080-00 & -01)

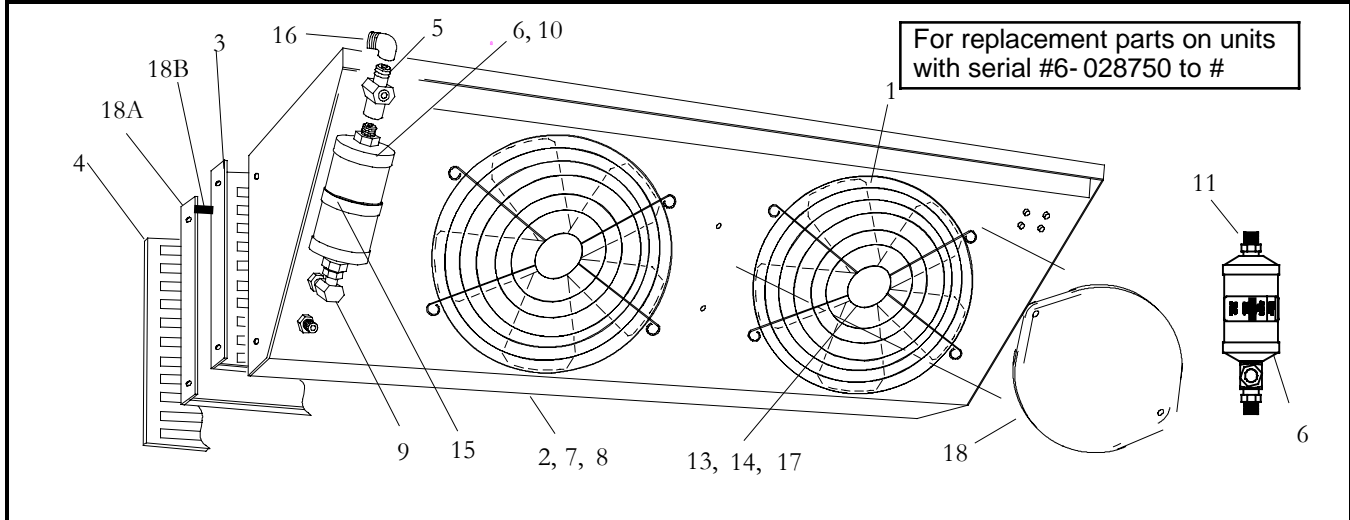


Item	Part Number	Description	Qty
1	79-62064-00	Grill Assembly IW-14, Includes:	1
2	34-62019-00Receptacle, 1/4 Turn	1
3	34-62020-00Stud, 1/4 Turn, .25 Grip Range	1
4	34-06169-01Washer, Retaining	1
5	38-00573-01Filter, Air, 36.5 X 9 X .12 Inch (EM-1 GEN 5)	1
6	AC801-403Gasket, Foam, 1-1/4 X 1-1/4 Inch (25 Foot Roll)	1

SECTION 2 - CONDENSERS

SECTION 2.1 CM-2 CONDENSERS

2.1.1 CONDENSER, CM-2, GEN 4



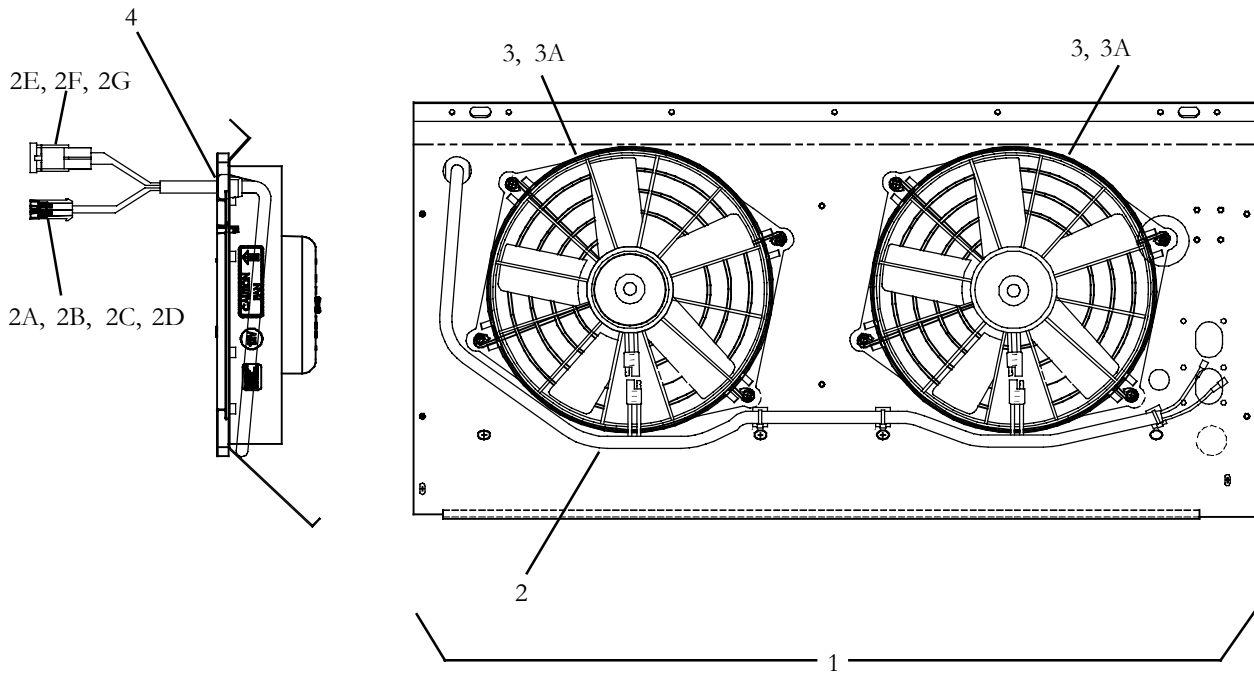
Item	Part Number	Description	Qty
1	AC030-234	Guard, Fan (Not used with 54-00618-01)	2
2	AC033-219	Coil Assembly, With Pressure Switches, (Before serial #6-050555)	1
	08-62035-00	Coil Assembly (Beginning serial #6-050555)	1
3	AC033-134P	Grill, Condenser Mounted	1
4	AC033-136	Grill, Bus Skirt Mounted	1
5	AC101-200	Sightglass	1
6	AC101-312	Filter Drier, 16 Cubic Inch, 1/2 Inch MFO (Before serial #6-050555)	1
	14-00288-00	Filter Drier/Sightglass Combination, (Beginning with serial #6-050555)	1
7	AC201-414	Switch, High Pressure	1
8	AC201-412	Switch, Low Pressure	1
9	AC301-441	Fitting, Swivel Union, 1/2 Inch Female Flare X 1/2 Inch Female Flare	1
	40-62036-00	Fitting, Swivel Union, 1/2 Inch Female O-Ring X 1/2 Inch Female O-Ring	1
10	AC801-220	O-Ring, 1/2 Inch MF-O, (Old)	2
11	AC801-202	O-Ring, 1/2 Inch HNBR, (New)	2
12	54-00618-01	Fan & Motor Asy., Vector, 12V, W/Fuse, 11 In. (No Repl. Motor) Includes:	2
12A	22-02336-25Fuse, 20 Amp	1
13	AC401-110	Assembly, Fan, 12 VDC - Includes:	2
	54-50080-00	...Motor, Fan, 12 VDC	1
	44-50024-00	...Clip, Fan Blade	1
14	CM205-197	Assembly, Fan, 24 VDC	2
15	AC701-269	Clamp, Worm Gear, (Filter Drier)	1
16	NSI	Fitting, 90°, 1/2 Inch Male Flare X 1/2 Inch Female Flare	1
17	22-62123-00	Harness, Condenser, CM-2	1
-	AC033-146	Kit, Winterization, Consisting Of:	1
18	AC033-145Cover, Fan, (Winterguard)	2
18A	AC033-142Cover, Coil, (Winterguard)	1
18B	AC801-412F25Gasket, Trim Seal, Black (25 Ft. Roll)	1



OPTION TABLE CM2 MCHX 77-01299 UNITS

MODEL CM2 MCHX (Top Level) 77-01299-XX	Chassis Kit (See Section 2.1.4)	Venturi Panel (See Section 2.1.2)	Grill (See Section 2.1.8)
-00	1	5	N/A
-11	1	5	1
-12	1	2	1
-16	1	1	N/A
-20	1	5	2
-21	1	3	3
-22	1	3	3
-30	1	5	2
-40	1	5	4
-60	1	4	1
-61	1	4	2
-62	1	4	4
-96	1	5	2

2.1.2 CONDENSER, CM-2, MCHX, VENTURI ASSEMBLY: OPTION 1

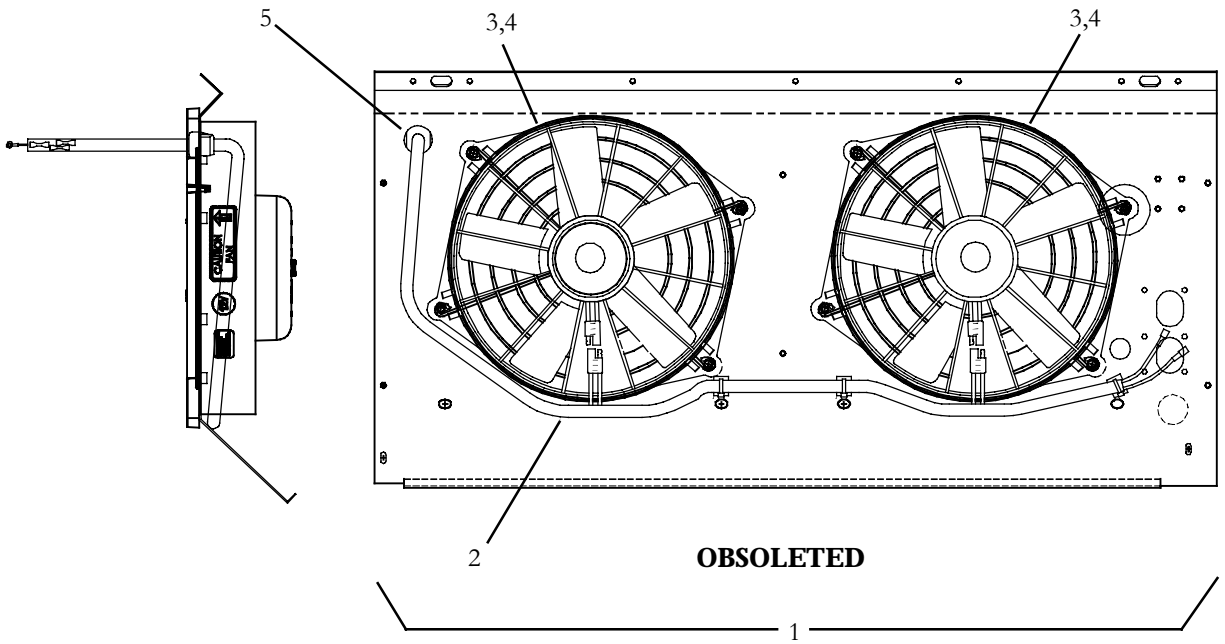


REFERENCE KIT 77-01286-00 A

Item	Part Number	Description	Qty
1	NSI	Venturi Assembly, CM-2 12VDC - Includes:	1
2	22-62206-00	...Harness, Connector, CM-2 - Includes:	1
2A	22-50078-72Connector, Male	1
2B	22-50078-46ATerminal, Male	2
2C	22-50078-50ASeal, Cable	2
2D	22-50078-72ALock, Secondary	1
2E	22-50098-67Connector, 2 Pin Black	1
2F	22-50098-67BTerminal, Male	2
2G	22-50098-67DSeal, Cable	2
3	54-00618-01	...Fan & Motor Assembly, Vector, 12V W/Fuse (No Repl. Motor) Includes:	2
3A	22-02336-25Fuse, 20 Amp	1
4	58-62019-00	...Bushing, Strain Relief	1



2.1.2 CONDENSER, CM-2, MCHX, VENTURI ASSEMBLY: OPTION 2

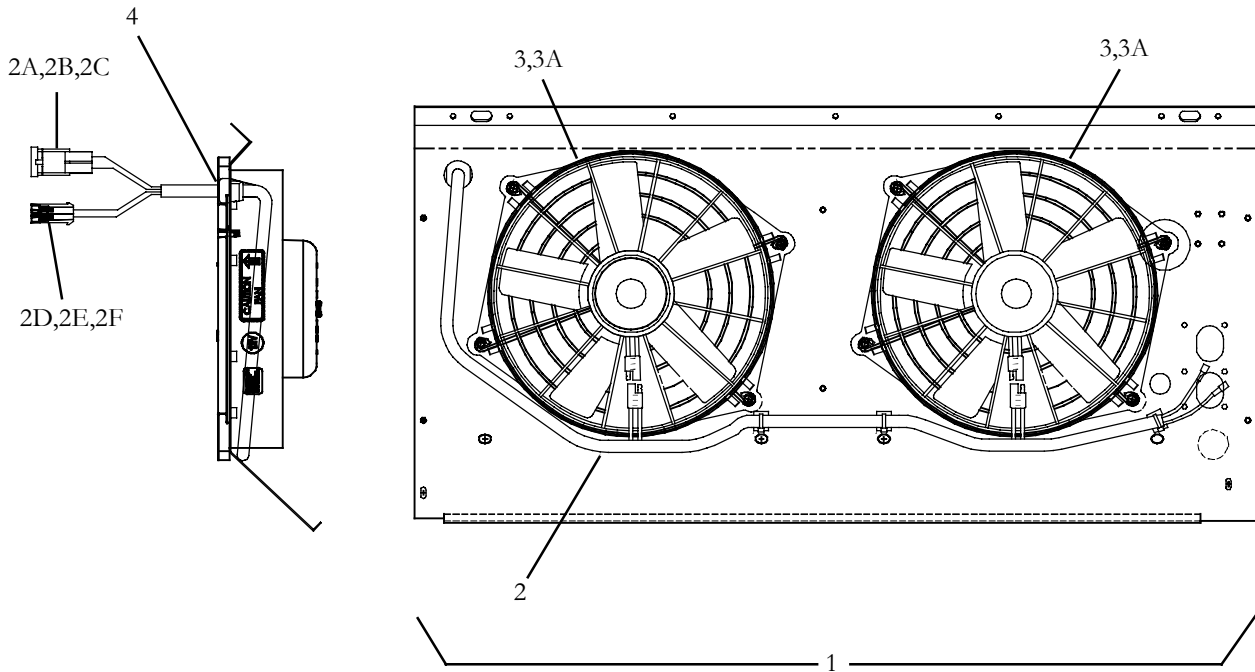


REFERENCE KIT 77-01286-01 A

Item	Part Number	Description	Qty
1	NSI	Venturi Assembly, CM-2 12VDC - Includes:	1
2	22-62123-00	...Harness, Condenser, CM-2	1
3	54-00618-01	...Fan & Motor Assembly, Vector, 12V, W/Fuse (No Repl. Motor) Includes:	2
4	22-02336-25Fuse, 20 Amp	1
5	58-62019-00	...Bushing, Strain Relief	1



2.1.2 CONDENSER, CM-2, MCHX, VENTURI ASSEMBLY: OPTION 3

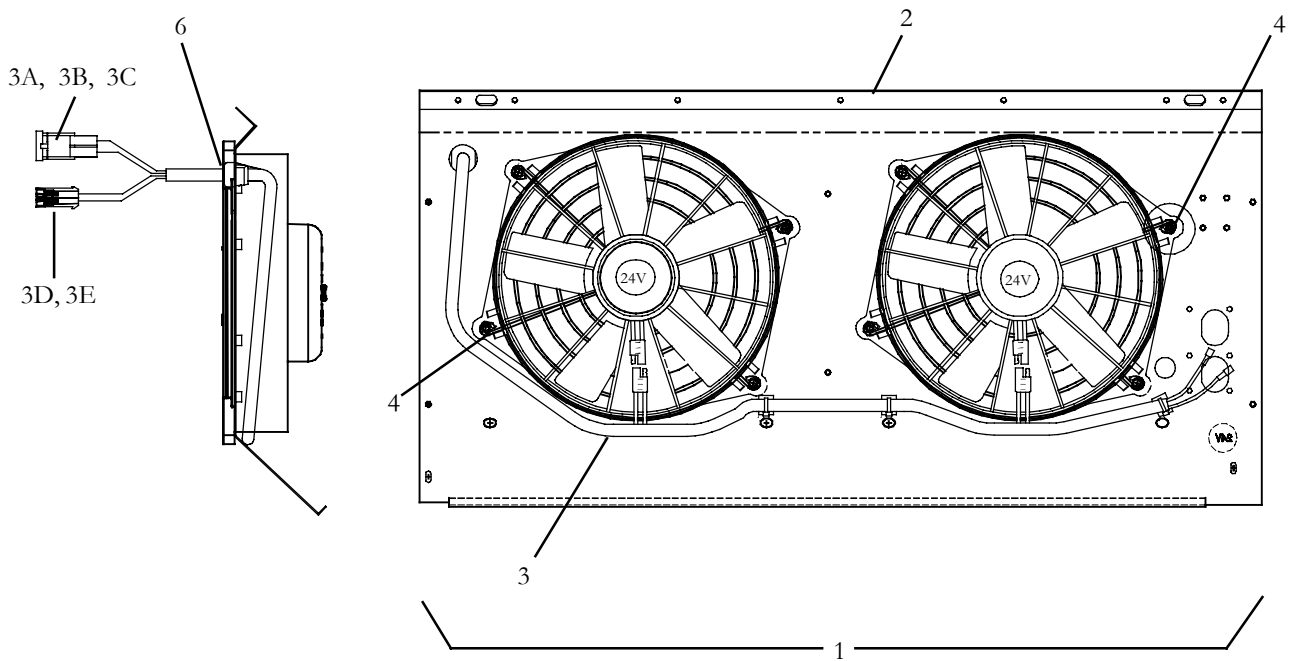


REFERENCE KIT 77-01286-03 D

Item	Part Number	Description	Qty
1	NSI	Venturi Assembly, CM-2 12VDC - Includes:	1
2	22-62260-00	...Harness, Condenser, CM-2 - Includes:	1
2A	22-02392-00Connector, Male, 2 Pin Black	1
2B	22-02393-01Terminal, Male, (18-20 AWG)	2
2C	22-02394-00Seal, Cable, Gray	2
2D	22-50078-40Connector, 2 Pin, Female, Black	1
2E	22-50098-67BTerminal, Female, (10 AWG)	2
2F	22-50098-67DSeal, Cable, Orange	2
3	54-00618-01	...Fan & Motor Assembly, Vector, 12V W/Fuse (No Repl. Motor) Includes:	2
3A	22-02336-25Fuse, 20 Amp	1
4	58-62019-00	...Bushing, Strain Relief	1



2.1.2 CONDENSER, CM-2, MCHX, VENTURI ASSEMBLY (24V): OPTION 4

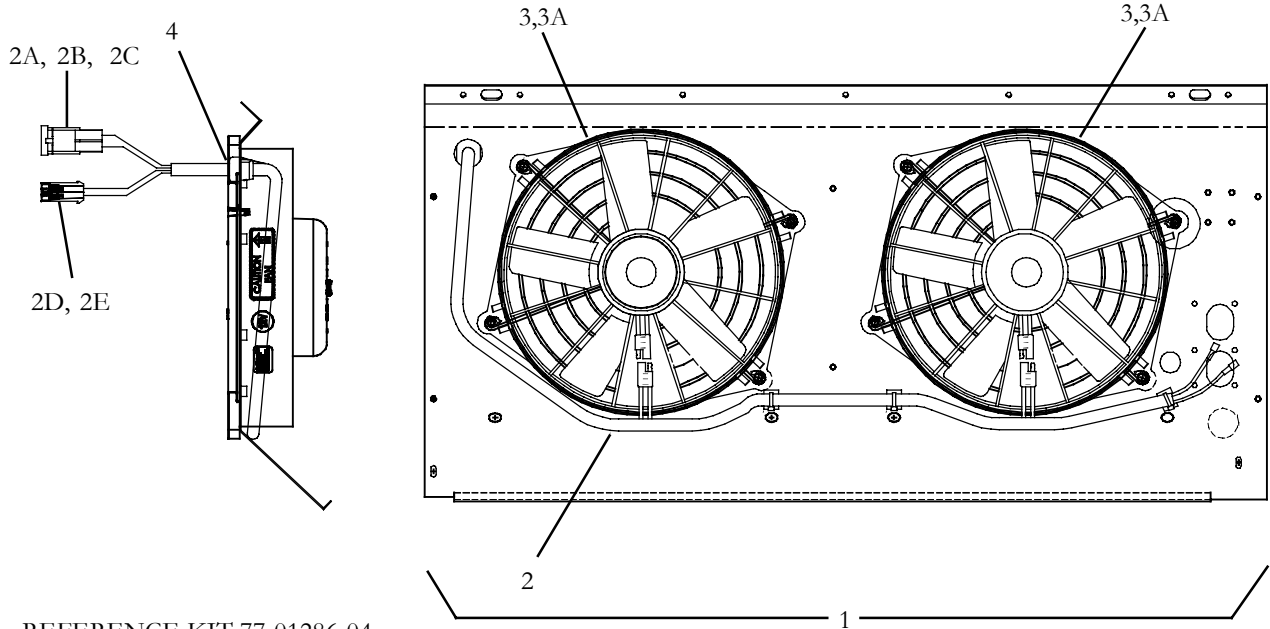


REFERENCE KIT 77-01286-60

Item	Part Number	Description	Qty
1	NSI	Venturi Assembly, CM-2 24VDC - Includes:	1
2	AC030-234	...Guard, Fan, Condenser	2
3	22-62273-00	...Harness, Condenser, CM-2 - Includes:	1
3A	22-02392-00Connector, 2 Pin, Black	1
3B	22-02393-01Terminal, Male, (18-20 AWG)	2
3C	22-02394-00Seal, Cable, Gray	2
3D	22-50371-00Connector, 2 Pin	1
3E	22-50372-00Terminal, Male (8 AWG)	2
4	54-00545-00	...Fan & Motor Assembly, 24V	2
5	66U1-3882	...Wire Tie, Self-Locking, 7.00 Inches, Black	3
6	58-62019-00	...Bushing, Strain Relief	1



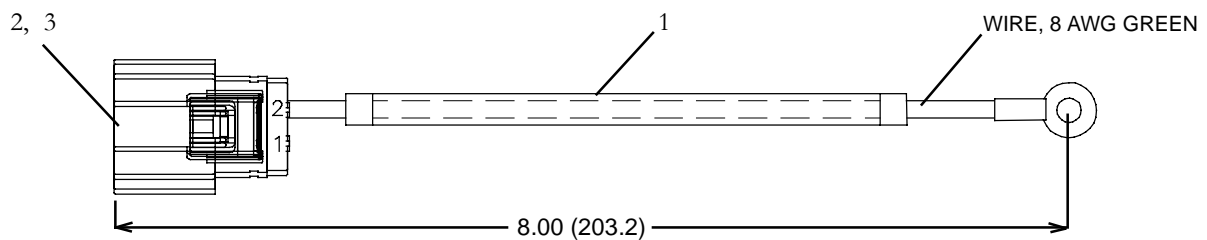
2.1.2 CONDENSER, CM-2, MCHX, VENTURI ASSEMBLY (12V): OPTION 5



REFERENCE KIT 77-01286-04

Item	Part Number	Description	Qty
1	NSI	Venturi Assembly, CM-2 12VDC - Includes:	1
2	22-62273-00	...Harness, Condenser, CM-2 - Includes:	1
2A	22-02392-00Connector, Male, 2 Pin Black	1
2B	22-02393-01Terminal, Male, (18-20 AWG)	2
2C	22-02394-00Seal, Cable, Gray	2
2D	22-50371-00Connector, 2 Pin	1
2E	22-50372-00Terminal, Male, (10 AWG)	2
3	54-00618-01	...Fan & Motor Assembly, Vector, 12V, W/Fuse (No Repl. Motor) Includes:	2
3A	22-02336-25Fuse, 20 Amp	1
4	66U1-3882	...Wire Tie, Self-Locking, 7.00 Inches, Black	3
5	58-62019-00	...Bushing, Strain Relief	1

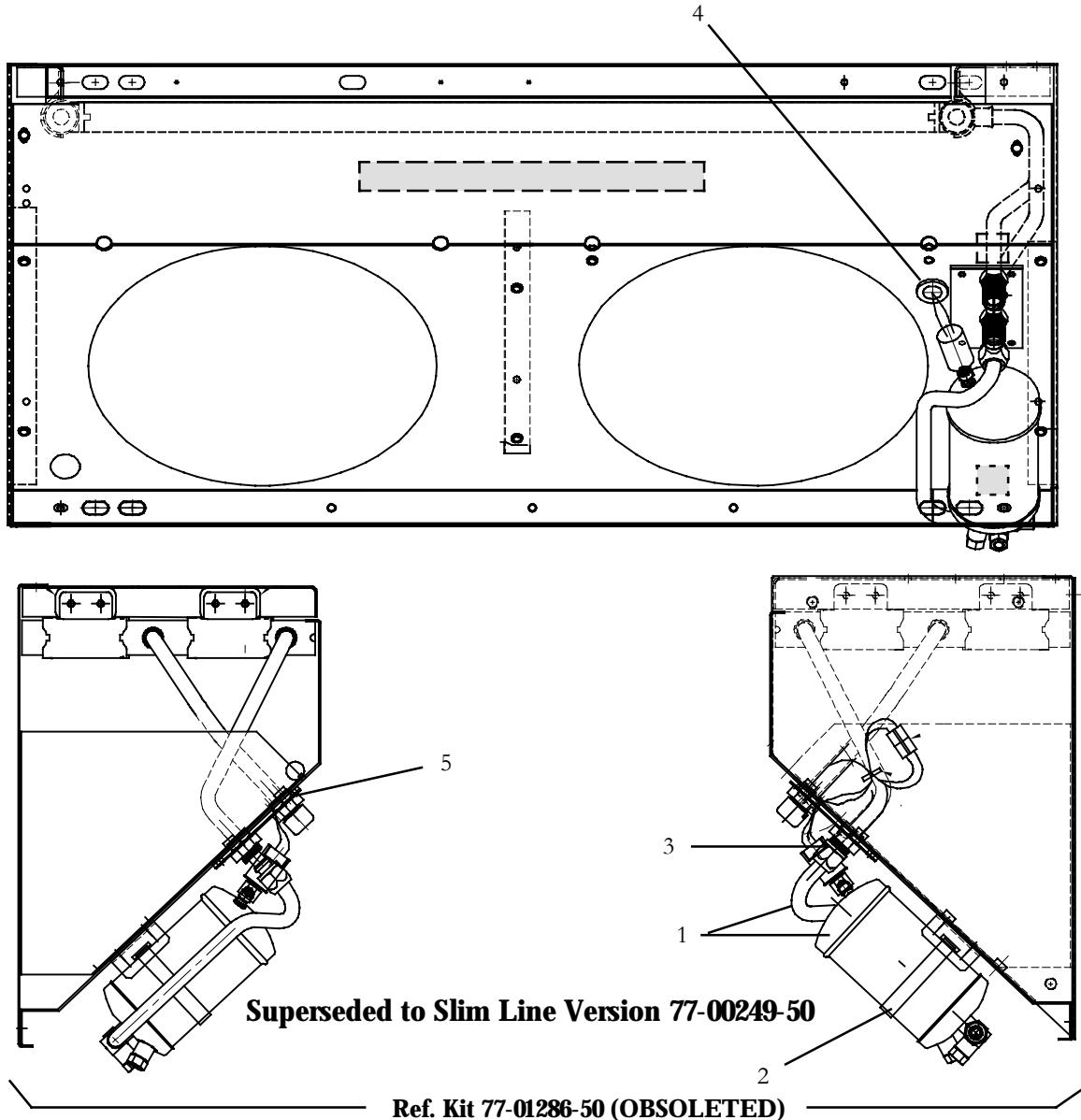
2.1.3 CM-2, CONDENSER GROUND/POWER HARNESS



Item	Part Number	Description	Qty
1	22-62277-00	Harness, Condenser - Includes:	1
2	22-50099-28	...Housing, Receptacle, 2 Pin, Black	1
3	22-50099-28A	...Terminal, Female (8 AWG)	1



2.1.4 CONDENSER COIL REPLACEMENT KIT, CM-2, MICRO-CHANNEL (MCHX) : OPTION 1



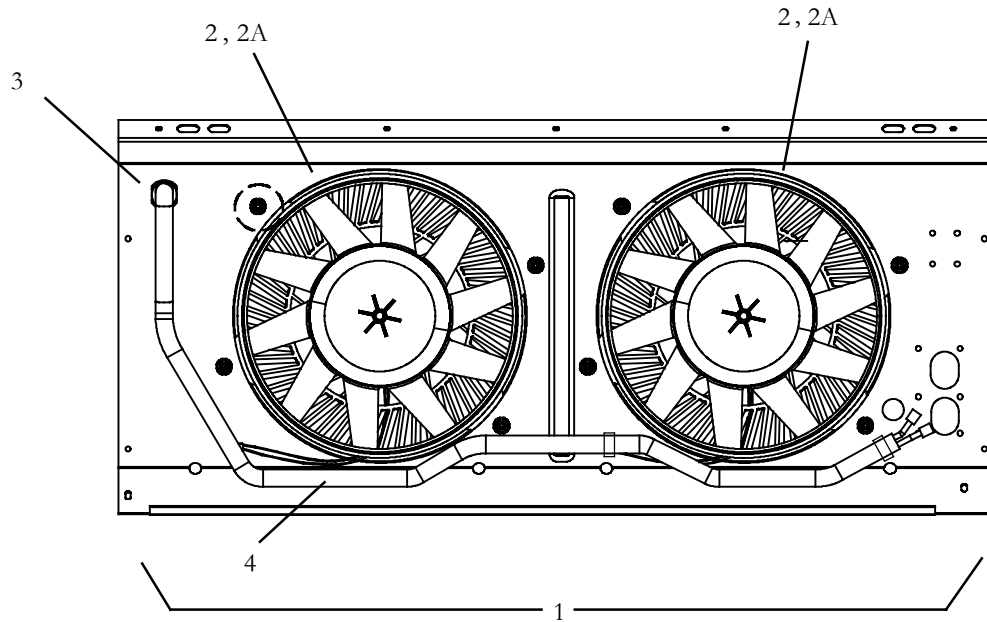
Item	Part Number	Description	Qty
N/A	77-01286-50	CM-2 Service Chassis Kit - Includes: (Supersedes to 77-00249-50)	1
1	65-00193-00	...Receiver, With Filter Drier	1
2	44-00045-19	...Clamp, Hose, Worm Type, Range: 2.56-3.50 Inches	1
3	AC201-414	...Switch, High Pressure, 400 - 300	1
4	58-04764-00	...Grommet, .25 ID x .84 Groove	1
5	34-06088-07	...Nut, Hex, Jam, 3/4-16	2

OPTION TABLE CM2 MCHX 77-00273 UNITS

MODEL CM2 MCHX (Top Level) 77-00273-XX	Venturi Panel Common Parts (See Section 2.1.5)	Elec. Harness (See Section 2.1.6)	Grill (See Section 2.1.8)	Chassis Kit (See Section 2.1.7)
-00	1	1	N/A	1
-11	1	1	1	1
-12	1	1	1	1
-16	1	3	N/A	1
-20	1	1	2	1
-21	1	2	5	1
-22	1	2	5	1
-23	1	2	1	1
-30	1	1	2	1
-35	1	1	2	1
-40	1	1	4	1
-60	2	1	1	1
-61	2	1	2	1
-62	2	1	4	1



2.1.5 CONDENSER, CM-2 SLIM LINE MCHX, (12VDC) COMMON PARTS: OPTION 1



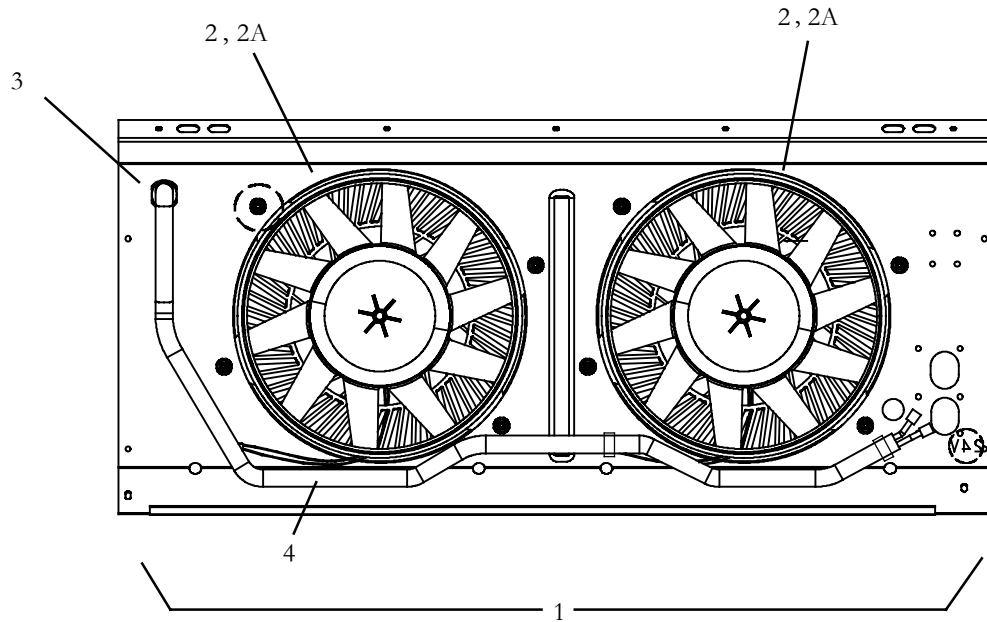
USED ON UNITS 77-00273-00, -11, -16, -20, -21, -22, -23, -30, -35 & -40

REFERENCE CHASSIS KITS 77-00249-00, 01, 02 & -03

Item	Part Number	Description	Qty
1	79-02377-XX	Venturi Assembly, CM-2 12VDC - Includes:	1
2	54-00618-01	...Fan & Motor Assembly, Vector, 12V, W/Fuse (No Repl. Motor) Includes:	2
2A	22-02336-25Fuse, 20 Amp	1
3	58-62019-00	...Bushing, Strain Relief	1
4	22-62273-XX	Refer to Matrix and Section 2.1.6 for proper harness	1



2.1.5 CONDENSER, CM-2 SLIM LINE MCHX, (24VDC) COMMON PARTS: OPTION 2



USED ON UNITS 77-00273-60, -61 & -62

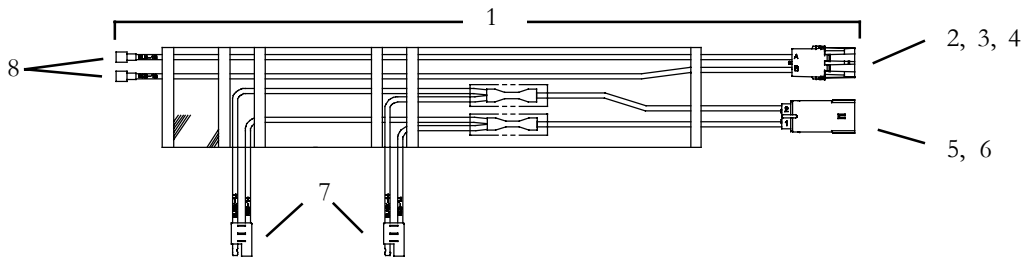
REFERENCE CHASSIS KITS 77-00249-60

Item	Part Number	Description	Qty
1	79-02377-XX	Venturi Assembly, CM-2- 24VDC - Includes:	1
2	54-00618-02	...Fan & Motor Assembly, Vector, 24V, W/Fuse (No Repl. Motor) Includes:	2
2A	22-02336-26Fuse, 25 Amp	1
3	58-62019-00	...Bushings, Strain Relief	1
4	22-62273-XX	Refer to Matrix and Section 2.1.6 for proper harness	1



NOTE: Complete Wire Harnesses are Non-Stock Items. Replace Components are Listed.

2.1.6 CM-2, CONDENSER HARNESS 22-62273-00: OPTION 1

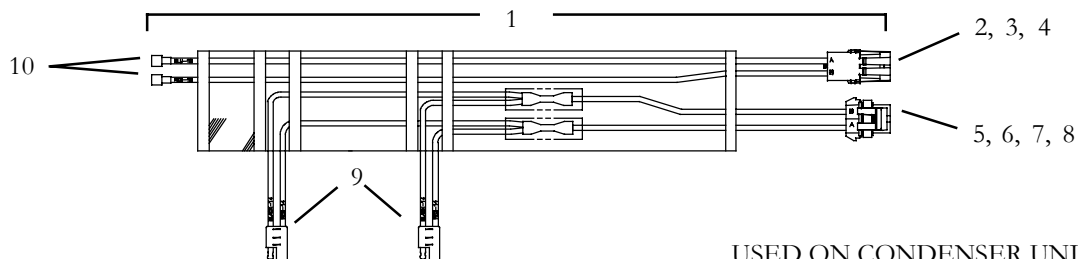


USED ON CONDENSER UNITS

77-00273-00, -11, -12, -20, -30, -35, -40, -60, -61 & -62

Item	Part Number	Description	Qty
1	22-62273-00	Harness, Condenser - Includes:	1
2	22-02392-00	...Connector, Male 2 Pin	1
3	22-02393-01	...Terminal, Male (18 AWG)	2
4	22-02394-00	...Cable Seal (18 AWG)	2
5	22-50099-27	...Housing, Plug, 2 Pin	1
6	22-50099-27A	...Terminal, Male (8 AWG)	2
7	AC201-905	...Condenser Motor Harness	2
8	22-01502-00	...Terminal, Male, Insulated Push On (18 AWG)	2

2.1.6 CM-2, CONDENSER HARNESS 22-62260-00: OPTION 2



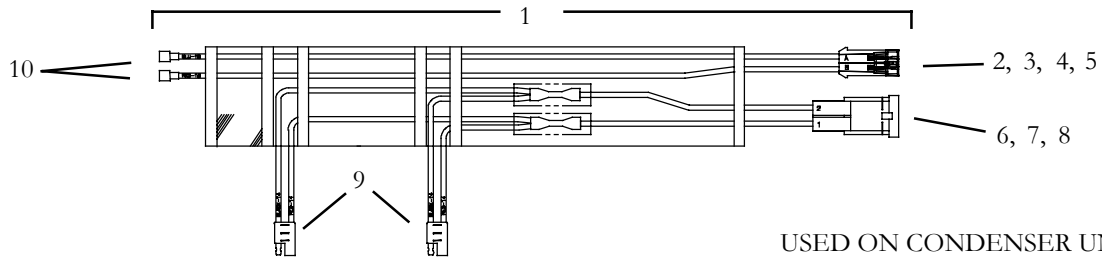
USED ON CONDENSER UNITS

77-00273-21, -22 & -23

Item	Part Number	Description	Qty
1	22-62260-00	Harness, Condenser - Includes:	1
2	22-02392-00	...Connector, Male, 2 Pin	1
3	22-02393-01	...Terminal, Male (18 AWG)	2
4	22-02394-00	...Cable Seal (18 AWG)	2
5	22-50078-40	...Connector, Female, 2 Pin	1
6	22-50078-48G	...Terminal, Female (10 AWG)	2
7	22-50078-52E	...Cable Seal (10 AWG)	2
8	22-50078-39A	...Lock, Secondary	2
9	AC201-905	...Condenser Motor Harness	2
10	22-01502-00	...Terminal, Male Nylon, Insulated Push On (18 AWG)	2

NOTE: Complete Wire Harnesses are Non-Stock Items. Replace Components are Listed.

2.1.6 CM-2, CONDENSER HARNESS 22-62206-00: OPTION 3

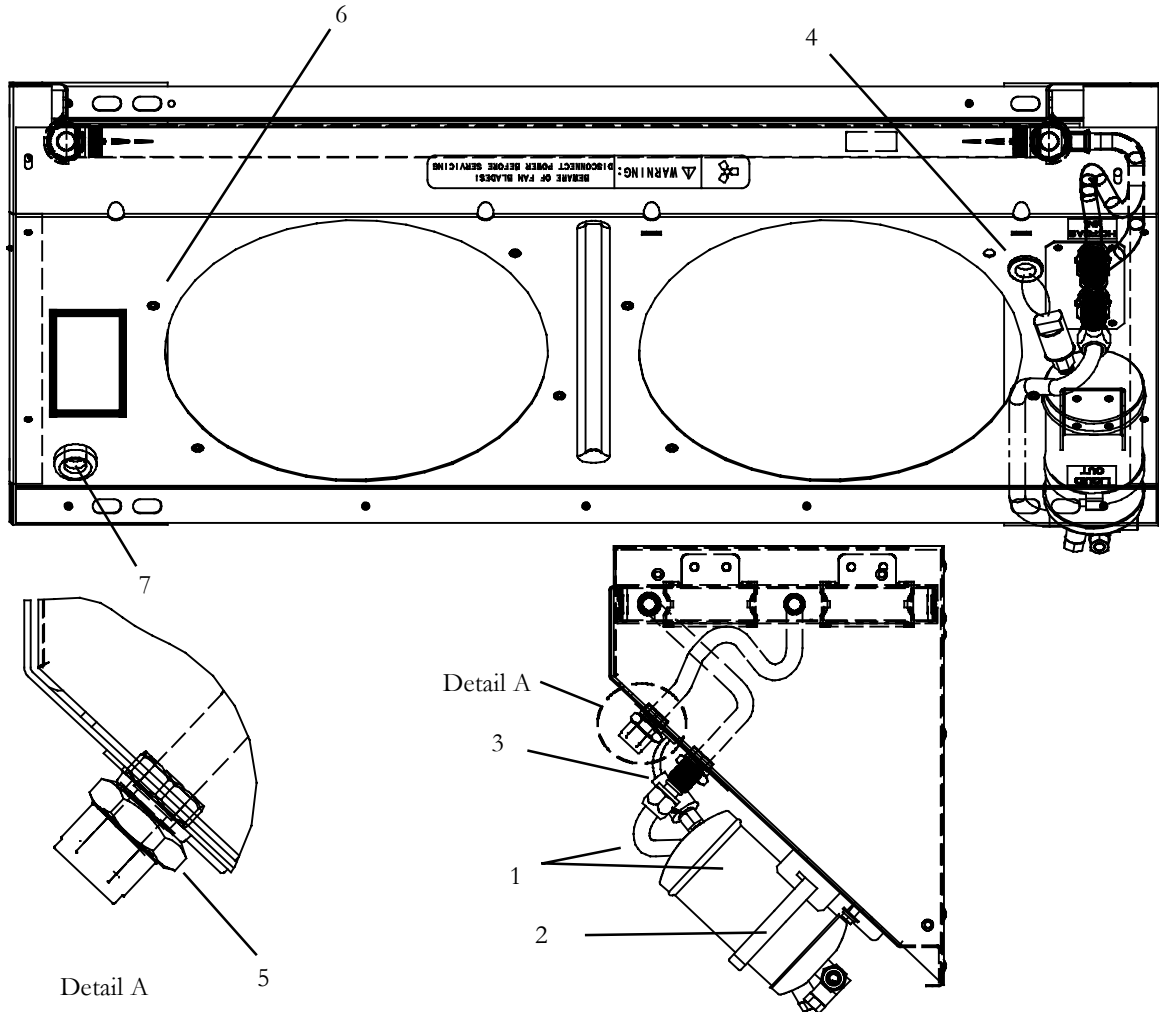


USED ON CONDENSER UNIT
77-00273-16

Item	Part Number	Description	Qty
1	22-62206-00	Harness, Condenser - Includes:	1
2	22-50078-72	...Connector, Male, 2 Pin	1
3	22-50078-46A	...Terminal, Male (18 AWG)	2
4	22-50078-50A	...Cable Seal (18 AWG)	2
5	22-50078-72A	...Lock, Secondary	2
6	22-50098-67	...Connector, Male, 2 Pin	1
7	22-50098-67B	...Terminal, Female (8 AWG)	2
8	22-50098-67D	...Cable Seal (8 AWG)	2
9	AC201-905	...Condenser Motor Harness	2
10	22-01502-00	...Terminal, Male Nylon, Insulated Push On (18 AWG)	2



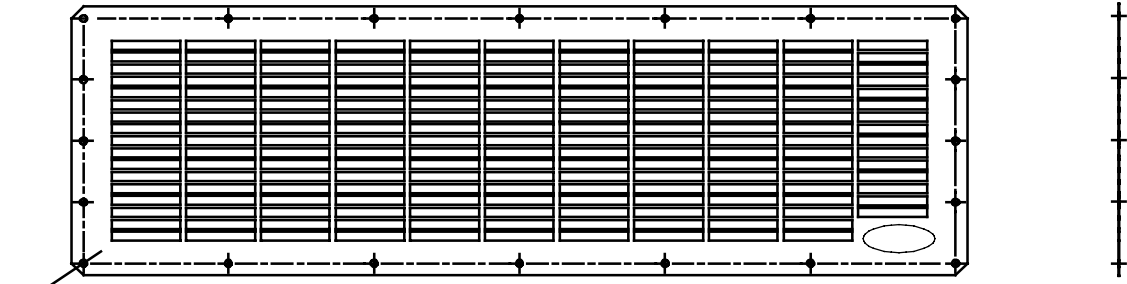
2.1.7 CONDENSER COIL REPLACEMENT KIT, CM-2 , SLIM LINE MICRO-CHANNEL (MCHX) : ALL 77-00273-XX



Item	Part Number	Description	Qty
-	77-00249-50	CM-2 Service Chassis Kit - Includes:	1
1	65-00193-00	...Receiver, With Filter Drier	1
2	44-00045-19	...Clamp, Hose, Worm Type, Range: 2.56-3.50 Inches	1
3	AC201-414	...Switch, High Pressure, 400 - 300	1
4	58-04764-00	...Grommet, .25 ID x .84 Groove	1
5	34-06088-07	...Nut, Hex, Jam, 3/4-16	2
6	34-62011-00	...1/4-20 X 1" (Provided In Bag)	8
7	58-62019-00	...Bushing, Strain Relief (Provided In Bag)	1



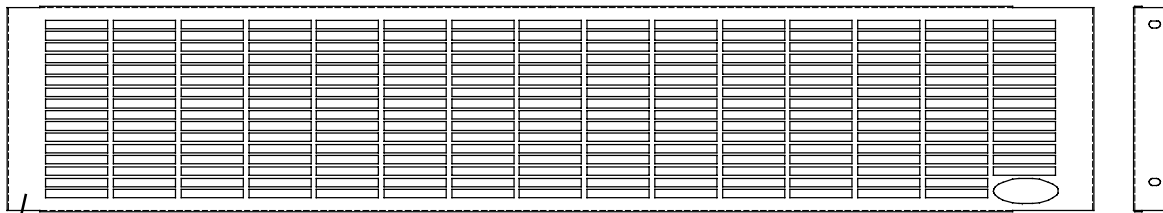
2.1.8 CONDENSER, CM-2, MCHX, GRILL ASSEMBLY: OPTION 1



Ref. Kit 77-01299-11 & -60
 Ref. Kit 77-00273-11, -12 & -60

Item	Part Number	Description	Qty
1	68-08122-01	Grill, Skirt Mounted, 37.50 x 11.25 Inches (Black Smooth)	1
	68-08122-02	Grill, Skirt Mounted, 37.50 x 11.25 Inches (White Textured)	1

2.1.8 CONDENSER, CM-2, MCHX, GRILL ASSEMBLY: OPTION 2

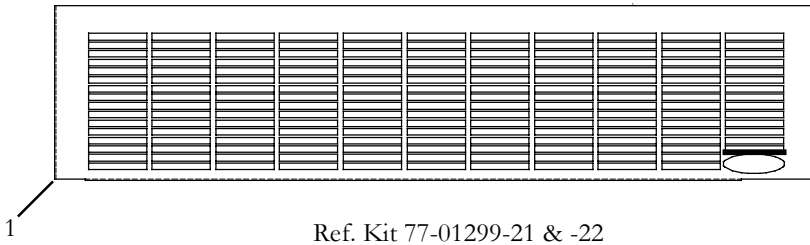


Ref. Kit 77-01299-20, -30 & -61
 Ref. Kit 77-00273-20, -30, -35 & -61

Item	Part Number	Description	Qty
1	68-08124-00	Grill Assembly, Condenser	1



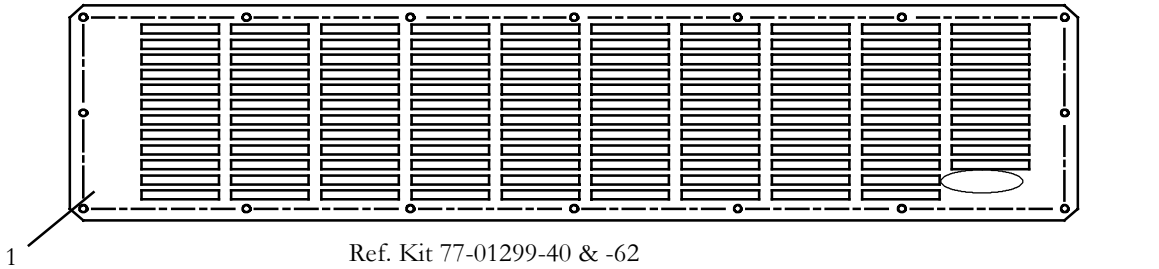
2.1.8 CONDENSER, CM-2, MCHX, GRILL ASSEMBLY: OPTION 3



Ref. Kit 77-01299-21 & -22

Item	Part Number	Description	Qty
1	68-62494-00	...Wrapper, Condenser, White	1

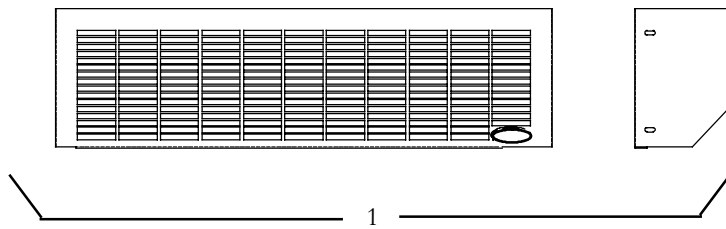
2.1.8 CONDENSER, CM-2, MCHX, GRILL ASSEMBLY: OPTION 4



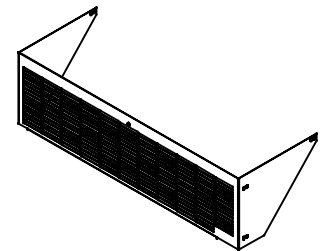
Ref. Kit 77-01299-40 & -62
Ref. Kit 77-00273-40 & -62

Item	Part Number	Description	Qty
1	AC033-150	...Grille, Condenser, Painted	1

2.1.8 CONDENSER, CM-2 , MCHX, GRILL ASSEMBLY; OPTION 5



Ref. Kit 77-00273-21 & -22

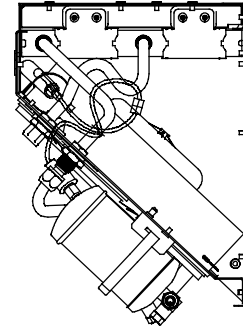
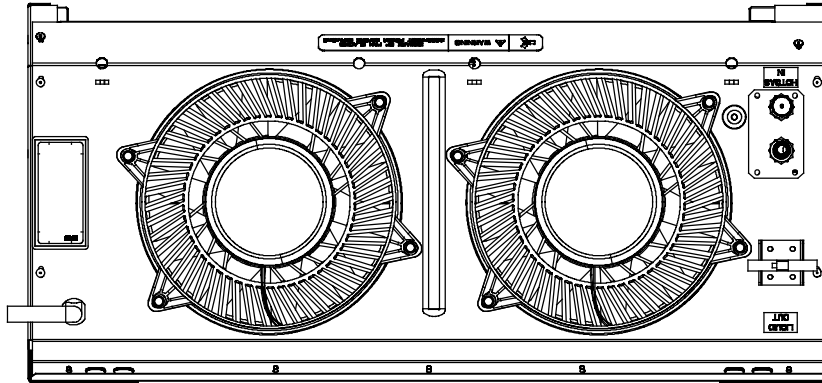


Reference Only

Item	Part Number	Description	Qty
1	68-08277-00	...Wrapper, Condenser, White	1



2.1.9 CONDENSER, CM-2 HEAVY DUTY MCHX, CHASSIS KIT (12V) COMMON PARTS



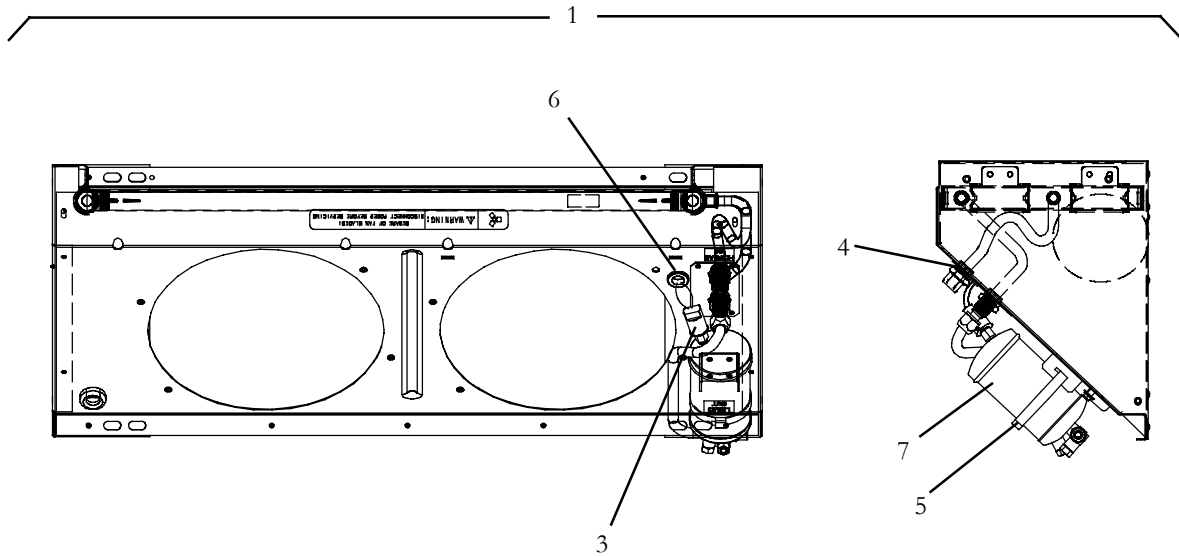
USED ON UNITS Y19-CM201-11 & -20

REFERENCE CHASSIS KITS Y24-CM201-00 & -01

Item	Part Number	Description	Qty
1	54-00618-03	Fan & Motor Assembly, 11" Vector, 12VDC W/Fuse	2
2	22-02336-25	. . . Fuse, 20A	1
3	12-00299-23	Switch, Pressure (Opens 390-410 psig - Close 290-310 psig)	1
4	34-06088-07	Nut, #8 ORS	2
5	44-00045-19	Clamp, Hose	1
6	58-04764-00	Grommet, Boot Type	1
7	58-62019-00	Bushing, Strain Relief	1
8	65-00193-00	Receiver/Filter Drier	1
9	NSI	Harness, CM-3, Butt Splice Interface (See Section 2.2.10)	1
10	68-08122-01	Grill, Skirt Mounted, (Used with Y19-CM201-11 Only) (See Section 2.1.8)	1
11	68-08124-00	Grill, Chassis Mounted, (Used with Y19-CM201-20 Only) (See Section 2.1.8)	1



2.1.9 CONDENSER, CM-2 HEAVY DUTY MCHX, SERVICE REPLACEMENT CHASSIS (12V)



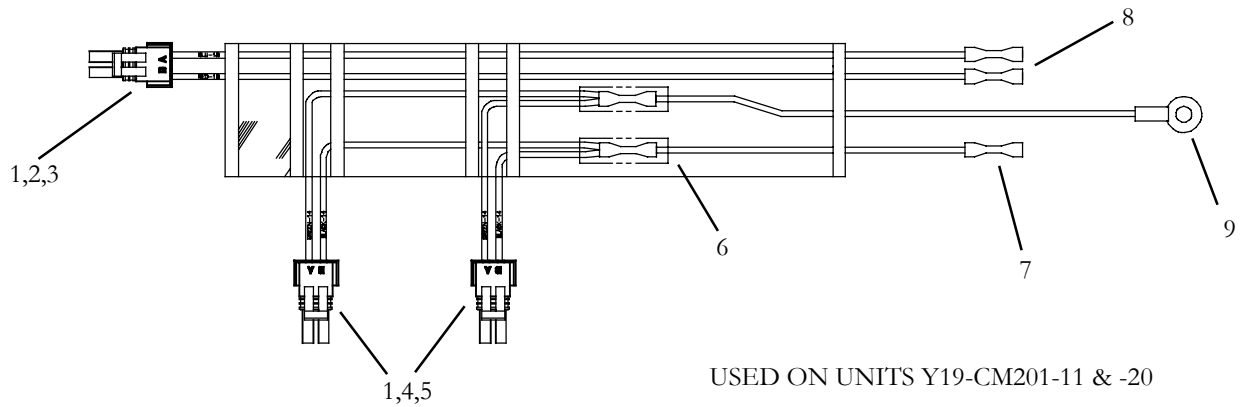
USED ON UNITS Y19-CM201-11 & -20

REFERENCE CHASSIS KITS Y24-CM201-00 & -01

Item	Part Number	Description	Qty
1	Y74-CM201-50	Replacement Chassis Kit: Includes	1
2	NSS	. . . Coil, Condenser, MCHX (E-Coating)	1
3	12-00299-23	. . . Switch, Pressure (Opens 390-410 psig - Close 290-310 psig)	1
4	34-06088-07	. . . Nut, #8 ORS	2
5	44-00045-19	. . . Clamp, Hose	1
6	58-04764-00	. . . Grommet, Boot Type	1
7	65-00193-00	. . . Receiver/Filter Drier	1

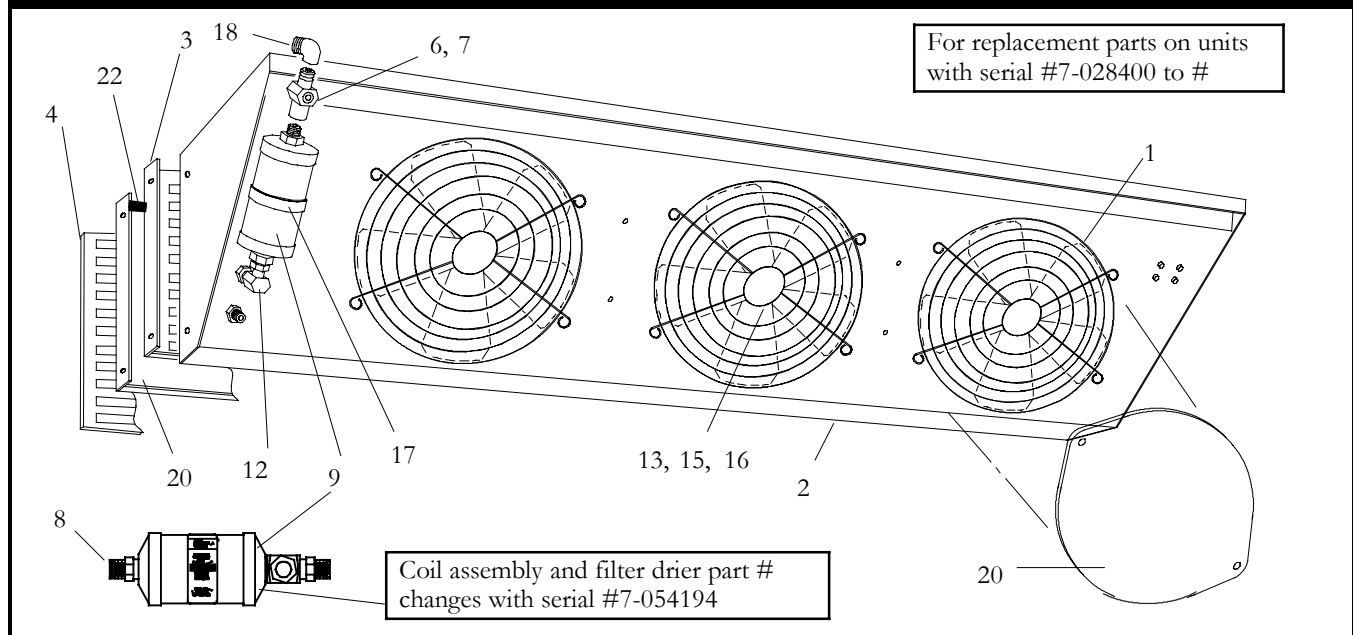
NOTE: Complete Wire Harnesses are Non-Stock Items. Replace Components are Listed.

2.1.10 CM-2, CONDENSER HARNESS , HEAVY DUTY MCHX, 12 VDC (Y24-00080-00)



USED ON UNITS Y19-CM201-11 & -20
REFERENCE CHASSIS KITS Y24-CM201-00 & -01

Item	Part Number	Description	Qty
1	22-01585-00	Connector, Female, 2 -Way	4
2	22-01566-01	Terminal, Female, 18-20 AWG	2
3	22-02394-02	Seal, Cable	2
4	22-01566-00	Terminal, Female, 14-16 AWG	4
5	22-02394-00	Seal, Cable	4
6	N/A	Butt Connector, Step Down, 12-10 AWG W/Heat Shrink	2
7	N/A	Butt Splice, W/Heat Shrink, 8 AWG	1
8	N/A	Butt Splice, W/Heat Shrink, 18 AWG	2
9	N/A	Ring Terminal, W/Heat Shrink, 8 AWG - 1/4" Ring	1

SECTION 2.2 CM-3 CONDENSERS
2.2.1 CONDENSER, CM-3, GEN 4


Item	Part Number	Description	Qty
1	AC030-234	Guard, Fan (Not used with 54-00618-01)	3
2	AC033-220	Coil Assembly, With Pressure Switches, (Before serial #7-054194)	1
	08-62035-01	Coil Assembly (Beginning w/serial #7-054194)	1
3	AC033-133P	Grill, Condenser Mounted, Black	1
	68-15461-00	Grill, Condenser Mounted, Black (MCHX)	1
4	AC033-135	Grill, Bus Skirt Mounted	1
5	AC033-144	Assembly, Tab, (Used with Condenser Mounted Grill)	1
6	AC101-200	Sightglass	1
7	AC801-220	O-Ring, 1/2 Inch MF-O, (Old)	2
8	AC801-202	O-Ring, 1/2 Inch HNBR, (New)	2
9	AC101-312	Filter Drier, 16 Cubic Inch, 1/2 Inch MFL-O, (Before serial #7-054194)	1
	14-00288-00	Filter Drier/Sightglass Combination, (Beginning with serial #7-054194)	1
10	AC201-414	Switch, High Pressure	1
11	AC201-412	Switch, Low Pressure	1
12	AC301-441	Fitting, Swivel Union, 1/2 Inch Female Flare X 1/2 Inch Female Flare (Old)	1
	40-62036-00	Fitting, Swivel Union, 1/2 Inch Female O-Ring X 1/2 Inch Female O-Ring	1
13	54-00618-01	Fan & Motor Assy, Vector, 12V W/Fuse, (No Repl. Motor) Includes:	3
	AC401-110	Assembly, Fan, 12 VDC - Includes:	3
13A	22-02336-25	...Fuse, 20 Amp	1
14	54-50080-00	...Motor, Fan, 12 VDC	1
	44-50024-00	...Clip, Fan Blade	1
15	CM205-197	Assembly, Fan, 24 VDC	3
16	22-62124-00	Harness, Condenser, CM-3	1
17	AC701-269	Clamp, Worm Gear, (Filter Drier)	1
18	NSI	Fitting, 90°, 1/2 Inch Male Flare X 1/2 Inch Female Flare, (Brass)	1



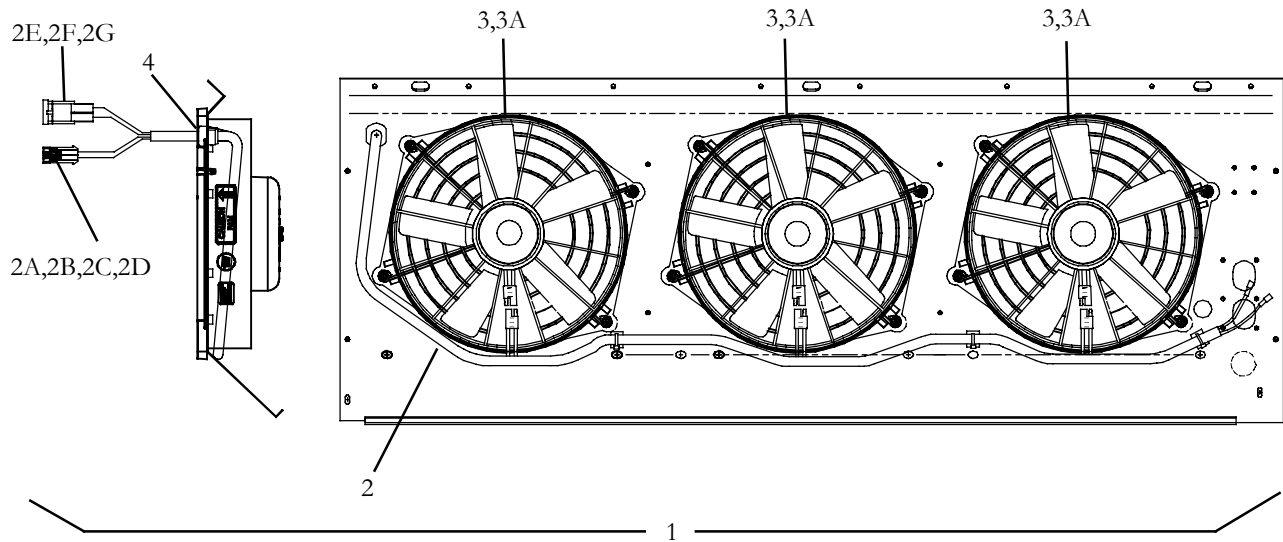
2.2.1 CONDENSER, CM-3, GEN 4 (Continued)			
Item	Part Number	Description	Qty
19	AC033-147	Kit, Winterization, Consisting Of:	1
20	AC033-145Cover, Fan, (Winterguard)	3
21	AC033-143Cover, Coil, (Winterguard)	1
22	AC801-412F25Gasket, Trim Seal, Black (25 Ft. Roll)	1

OPTION TABLE CM3 MCHX 77-01288 UNITS

MODEL CM3 MCHX (Top Level) 77-01288-XX	Chassis Kit (See Section 2.2.4)	Venturi Panel (See Section 2.2.2)	Elec. Harness (See Section 2.2.6)	Grill (See Section 2.2.8)
-00	1	5	3	N/A
-11	1	5	3	1
-12	1	2	-	-
-16	1	1	1	N/A
-20	1	5	3	2
-21	1	3	2	3
-22	1	3	2	3
-30	1	5	3	2
-40	1	5	3	4
-60	1	4	3	1
-61	1	4	3	2
-62	1	4	3	4
-96	1	5	3	2



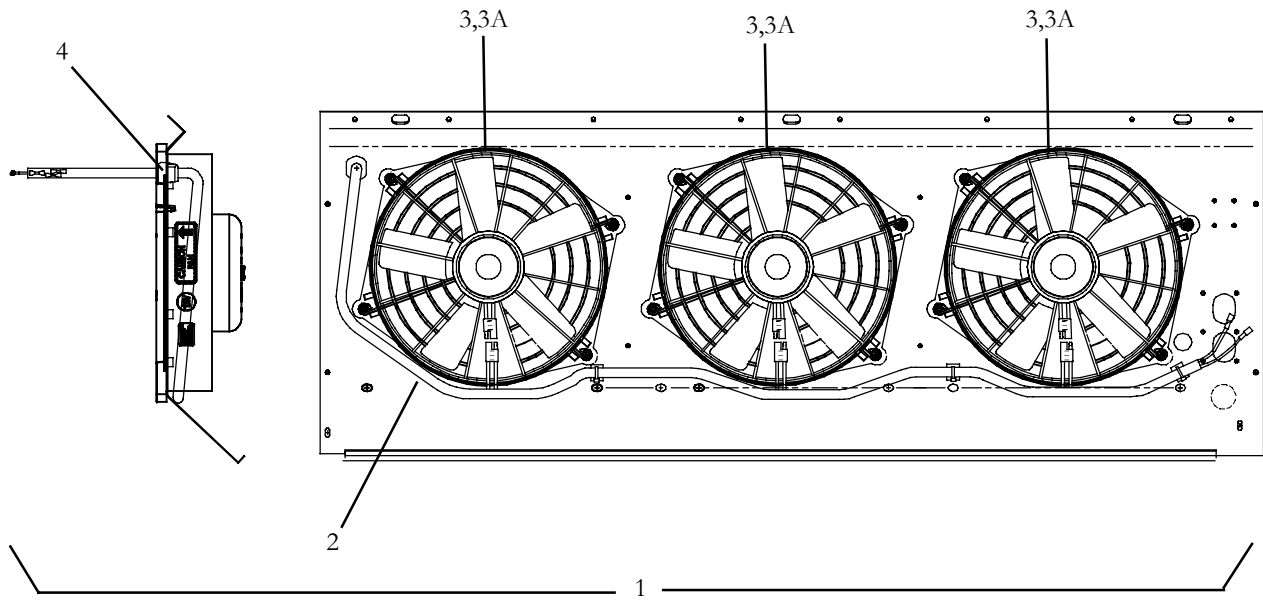
2.2.2 CONDENSER, CM-3, MCHX, VENTURI ASSEMBLY: OPTION 1



REFERENCE CHASSIS KIT 77-01277-00 C

Item	Part Number	Description	Qty
1	NSI	Venturi Assembly, CM-3 12VDC - Includes:	1
2	22-62205-00	...Harness, Connector, CM-3 - Includes:	1
2A	22-50078-72Connector, Male	1
2B	22-50078-46ATerminal, Male	2
2C	22-50078-50ASeal, Cable	2
2D	22-50078-72ALock, Secondary	1
2E	22-50098-67Connector, 2 Pin Black	1
2F	22-50098-67BTerminal, Male	2
2G	22-50098-67DSeal, Cable	2
3	54-00618-01	...Fan & Motor Assembly, Vector, 12V W/Fuse (No Repl. Motor) Includes:	3
3A	22-02336-25Fuse, 20 Amp	1
4	58-62019-00	...Bushing, Strain Relief	1

2.2.2 CONDENSER, CM-3, MCHX, VENTURI ASSEMBLY: OPTION 2

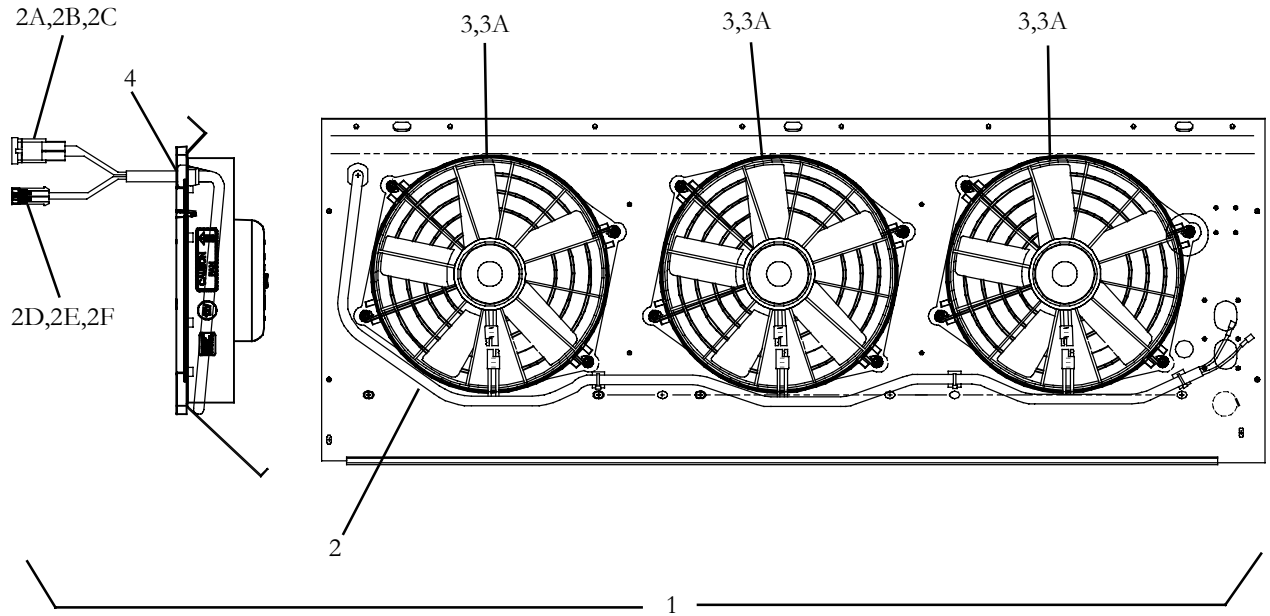


REFERENCE CHASSIS KIT 77-01277-02

Item	Part Number	Description	Qty
1	NSI	Venturi Assembly, CM-3 12VDC - Includes:	1
2	22-62124-00	...Harness, Connector, CM-3	1
3	54-00618-01	...Fan & Motor Assembly, Vector, 12V W/Fuse (No Repl. Motor) Includes:	3
3A	22-02336-25Fuse, 20 Amp	1
4	58-62019-00	...Bushing, Strain Relief	1



2.2.2 CONDENSER, CM-3, MCHX, VENTURI ASSEMBLY: OPTION 3

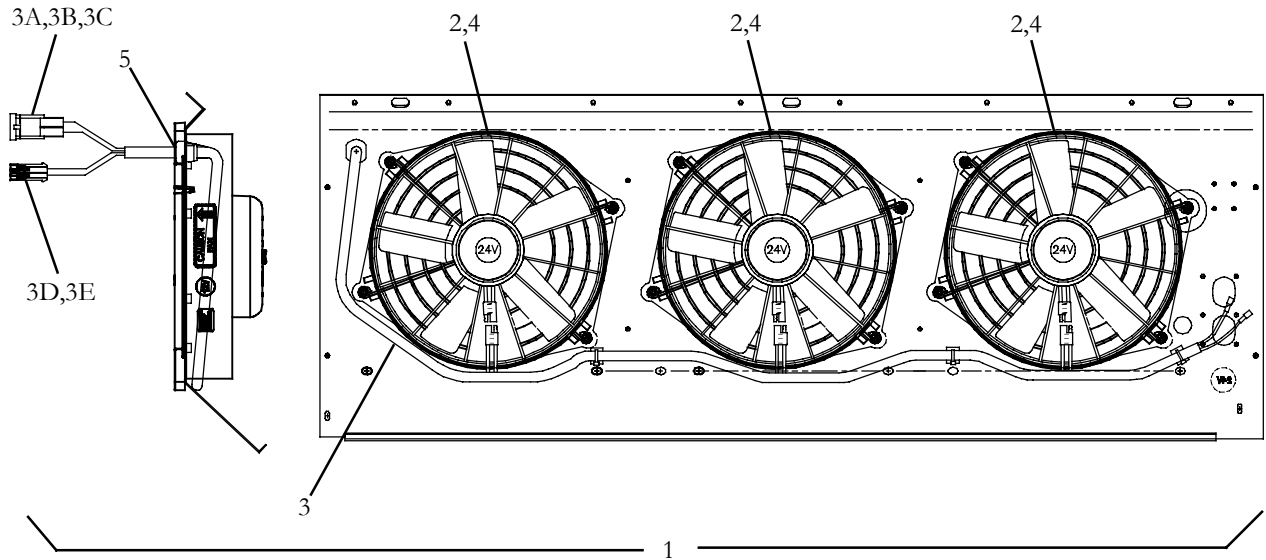


REFERENCE CHASSIS KIT 77-01277-04

Item	Part Number	Description	Qty
1	NSI	Venturi Assembly, CM-3 12VDC - Includes:	1
2	22-62258-00	...Harness, Connector, CM-3 - Includes:	1
2A	22-02392-00Connector, Male, 2 Pin Black	1
2B	22-02393-01Terminal, Male, (18-20 AWG)	2
2C	22-02394-00Seal, Cable, Gray	2
2D	22-50078-40Connector, 2 Pin, Female, Black	1
2E	22-50078-48GTerminal, Female, (10 AWG)	2
2F	22-50078-52ESeal, Cable, Orange	2
3	54-00618-01	...Fan & Motor Assembly, Vector, 12V/Fuse (No Repl. Motor) Includes:	3
3A	22-02336-25Fuse, 20 Amp	1
4	58-62019-00	...Bushing, Strain Relief	1



2.2.2 CONDENSER, CM-3, MCHX, VENTURI ASSEMBLY: OPTION 4

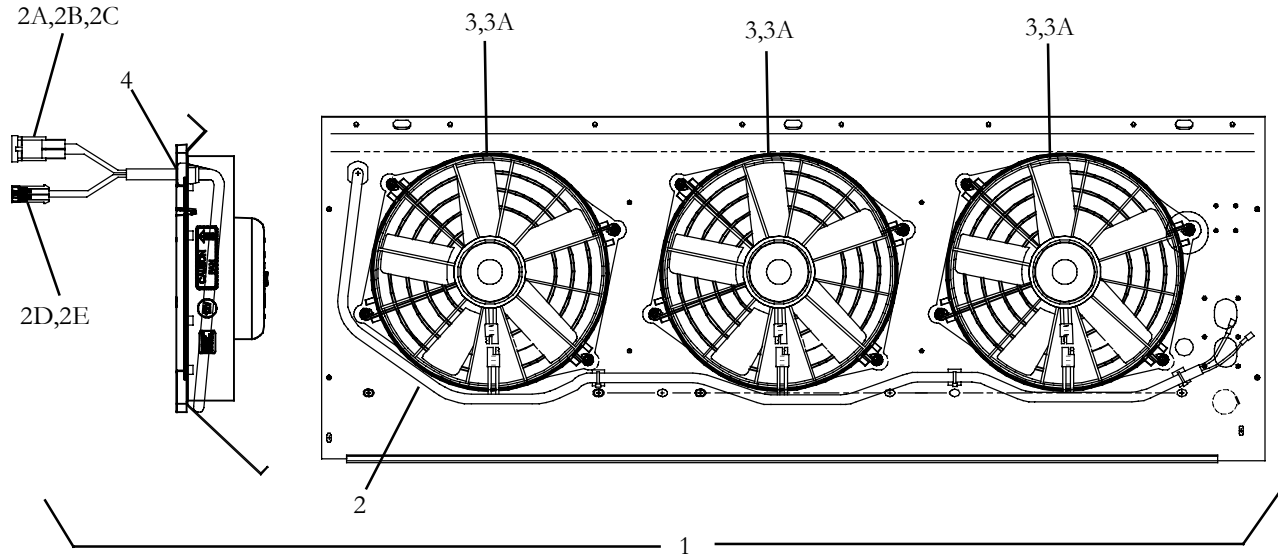


REFERENCE CHASSIS KIT 77-01277-60 F

Item	Part Number	Description	Qty
1	NSI	Venturi Assembly, CM-3 24VDC - Includes:	1
2	AC030-234	...Guard, Fan, Condenser	3
3	22-62272-00	...Harness, Connector, CM-3 - Includes:	1
3A	22-02392-00Connector, 2 Pin, Black	1
3B	22-02393-01Terminal, Male, (18-20 AWG)	2
3C	22-02394-00Seal, Cable, Gray	2
3D	22-50371-00Connector, 2 Pin	1
3E	22-50372-00Terminal, Male (8 AWG)	2
4	54-00545-00	...Fan & Motor Assembly, 24V	3
5	58-62019-00	...Bushing, Strain Relief	1



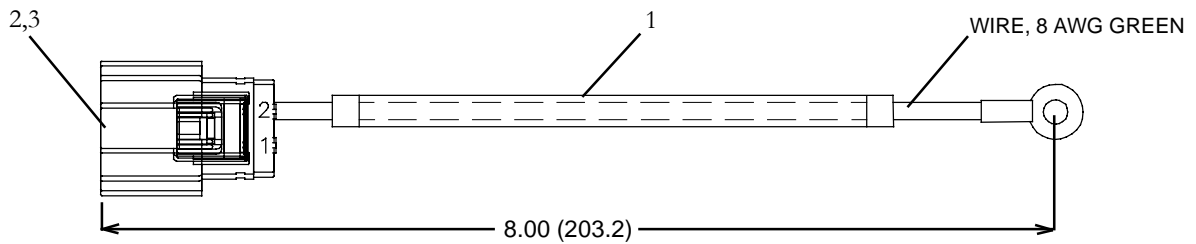
2.2.2 CONDENSER, CM-3, MCHX, VENTURI ASSEMBLY: OPTION 5



REFERENCE CHASSIS KIT 77-01277-05 F

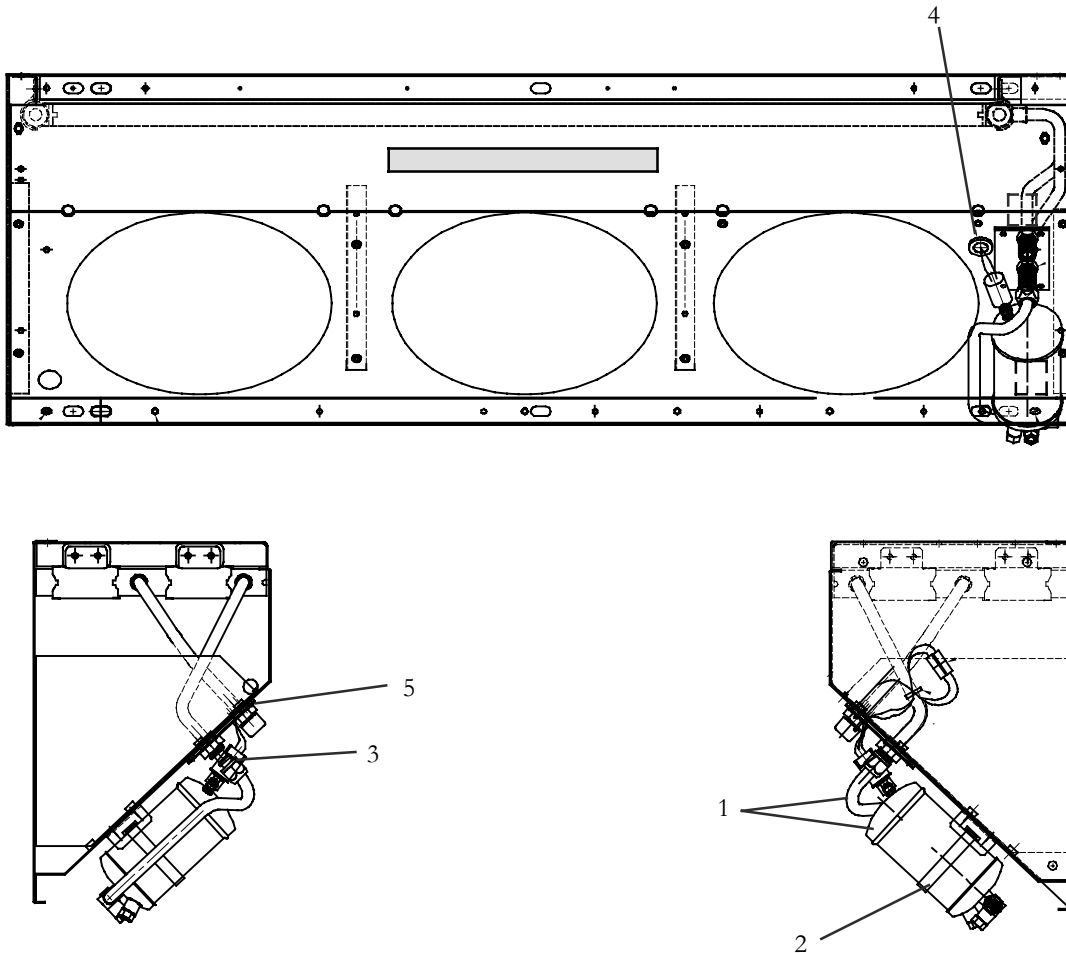
Item	Part Number	Description	Qty
1	NSI	Venturi Assembly, CM-3 12VDC - Includes:	1
2	22-62272-00	...Harness, Connector, CM-3 - Includes:	1
2A	22-02392-00Connector, 2 Pin, Black	1
2B	22-02393-01Terminal, Male, (18-20 AWG)	2
2C	22-02394-00Seal, Cable, Gray	2
2D	22-50371-00Connector, 2 Pin	1
2E	22-50372-00Terminal, Male, (8 AWG)	2
3	54-00618-01	...Fan & Motor Assembly, Vector, 12V W/Fuse (No Repl. Motor) Includes:	3
3A	22-02336-25Fuse, 20 Amp	1
4	58-62019-00	...Bushing, Strain Relief	1

2.2.3 CM-3, CONDENSER GROUND/POWER HARNESS



Item	Part Number	Description	Qty
1	22-62277-00	Harness, Condenser - Includes:	1
2	22-50099-28	...Housing, Receptacle, 2 Pin, Black	1
3	22-50099-28A	...Terminal, Female (8 AWG)	1

2.2.4 CONDENSER, CM-3, MCHX, REPLACEMENT CHASSIS (77-01277-50)



Superseded to Slim Line Version 77-00250-50

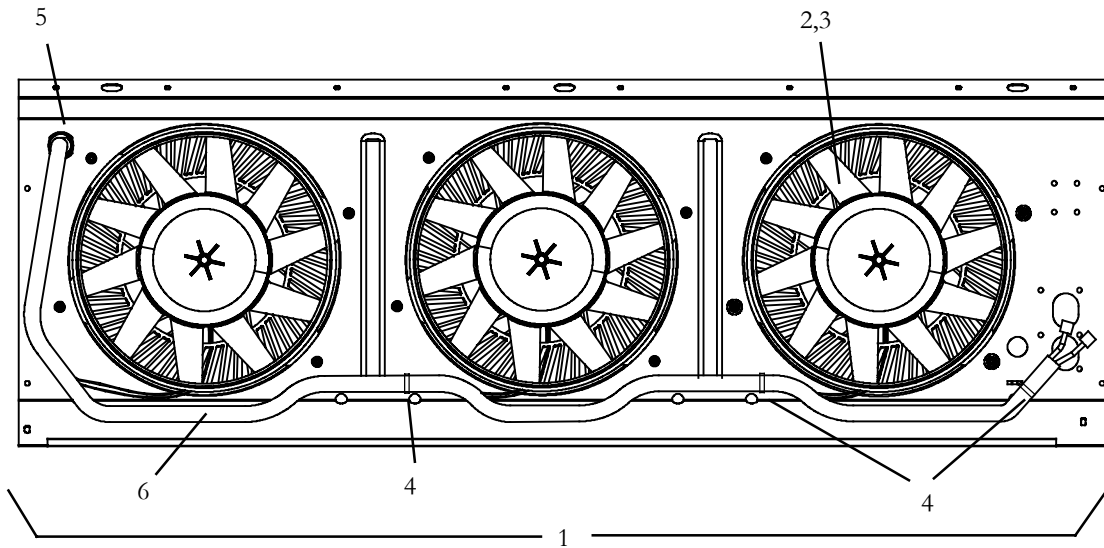
Item	Part Number	Description	Qty
N/A	77-01277-50	CM-3 Service Chassis Kit - Includes: (Superseded to 77-00250-50)	1
1	65-00193-00	...Receiver, With Filter Drier	1
2	44-00045-19	...Clamp, Hose, Worm Type, Range: 2.56-3.50 Inches	1
3	AC201-414	...Switch, High Pressure, 400 - 300	1
4	58-04764-00	...Grommet, .25 ID x .84 Groove	1
5	34-06088-07	...Nut, Hex, Jam, 3/4-16	2

OPTION TABLE CM3 MCHX 77-00274 UNITS

MODEL CM3 MCHX (Top Level) 77-00274-XX	Chassis Kit (See Section 2.2.7)	Venturi Panel (See Section 2.2.5)	Elec. Harness (See Section 2.2.6)	Grill (See Section 2.2.8)
-00	1	1	3	N/A
-11	1	1	3	1
-12	1	1	3	1
-16	1	1	1	N/A
-20	1	1	3	2
-21	1	1	2	5
-22	1	1	2	5
-23	1	1	2	1
-30	1	1	3	2
-35	1	1	3	2
-40	1	1	3	4
-60	1	2	3	1
-61	1	2	3	2
-62	1	2	3	4



2.2.5 CONDENSER, CM-3 SLIM LINE MCHX, VENTURI ASSEMBLY (12V) COMMON PARTS: OPTION 1



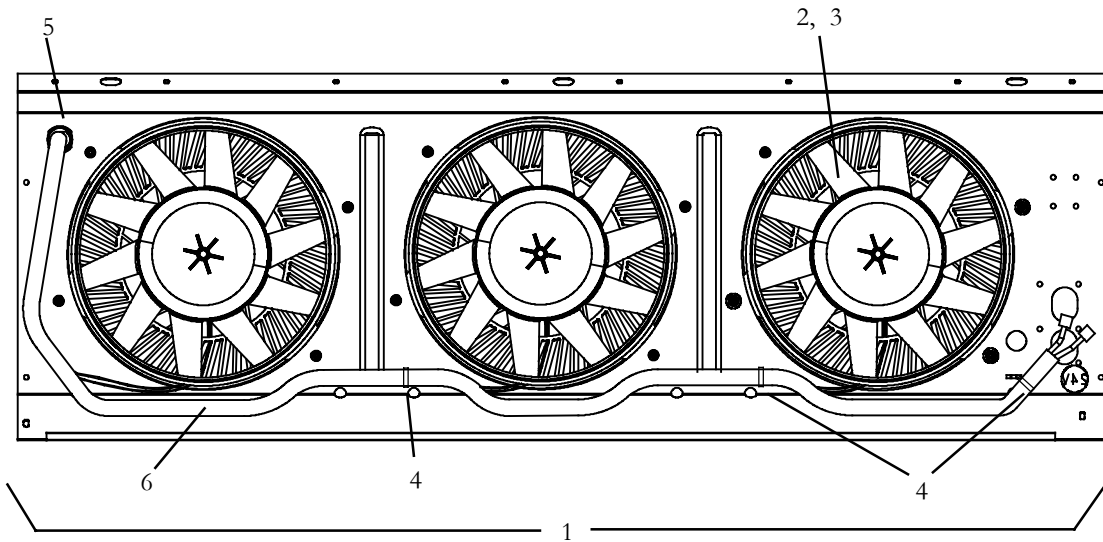
USED ON UNITS 77-00274-00, -11, -16, -20, -21, -22, -30 & -40

REFERENCE CHASSIS KITS 77-00250-00, 01, 02 & -03

Item	Part Number	Description	Qty
1	79-02379-XX	Venturi Assembly, CM-3 12VDC - Includes:	1
2	54-00618-01	...Fan & Motor Assembly, Vector, 12V, W/Fuse (No Repl. Motor) Includes:	3
3	22-02336-25Fuse, 20 Amp	1
4	58-00079-02	...Sta-Strap, 0-1.75" Dia. Cable	3
5	58-62019-00	...Bushing, Strain Relief	1
6	22-62273-XX	Refer to Sections 2.2.11 thru 2.2.13 for proper harness	1



2.2.5 CONDENSER, CM-3 SLIM LINE MCHX, VENTURI ASSEMBLY (24V) COMMON PARTS: OPTION 2



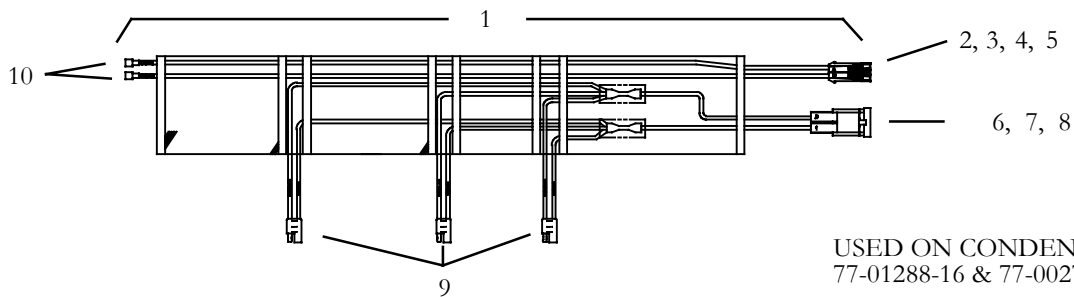
USED ON UNITS 77-00274-60, -61 & -62

REFERENCE CHASSIS KITS 77-00250-60

Item	Part Number	Description	Qty
1	NSI	Venturi Assembly, CM-3-24VDC - Includes:	1
2	54-00618-02	...Fan & Motor Assembly, Vector, 24V, W/Fuse (No Repl. Motor) Includes:	3
3	22-02336-26Fuse, 25 Amp	1
4	58-00079-02	...Sta-Strap, 0-1.75" Dia. Cable	3
5	58-62019-00	...Bushing, Strain Relief	1
6	22-62273-XX	Refer to Sections 2.2.11 thru 2.2.13 for proper harness	1

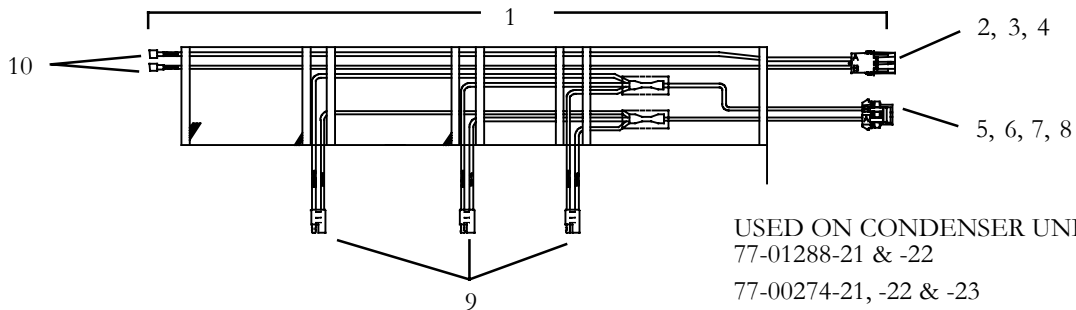
NOTE: Complete Wire Harnesses are Non-Stock Items. Replace Components are Listed.

2.2.6 CM-3, CONDENSER HARNESS 22-62205-00: OPTION 1



Item	Part Number	Description	Qty
1	22-62205-00	Harness, Condenser - Includes:	NSI
2	22-50078-72	...Connector, Male, 2 Pin	1
3	22-50078-46A	...Terminal, Male (18 AWG)	2
4	22-50078-50A	...Cable Seal (18 AWG)	2
5	22-50078-72A	...Lock, Secondary	2
6	22-50098-67	...Connector, Male, 2 Pin	1
7	22-50098-67B	...Terminal, Female (8 AWG)	2
8	22-50098-67D	...Cable Seal (8 AWG)	2
9	AC201-905	...Condenser Motor Harness	3
10	22-01502-00	...Terminal, Male Nylon, Insulated Push On (18 AWG)	2
N.S.	76-62308-00	Mating Connector and Parts for OEM Interface	1

2.2.6 CM-3, CONDENSER HARNESS 22-62258-00: OPTION 2

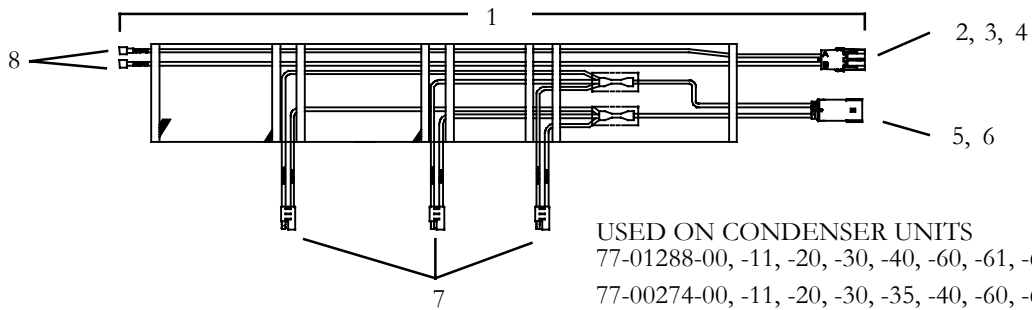


Item	Part Number	Description	Qty
1	22-62258-00	Harness, Condenser - Includes:	NSI
2	22-02392-00	...Connector, Male, 2 Pin	1
3	22-02393-01	...Terminal, Male (18 AWG)	2
4	22-02394-00	...Cable Seal (18 AWG)	2
5	22-50078-40	...Connector, Female, 2 Pin	1
6	22-50078-48G	...Terminal, Female (10 AWG)	2
7	22-50078-52E	...Cable Seal (10 AWG)	2
8	22-50078-39A	...Lock, Secondary	2
9	AC201-905	...Condenser Motor Harness	3
10	22-01502-00	...Terminal, Male Nylon, Insulated Push On (18 AWG)	2
N.S.	76-62308-00	Mating Connector and Parts for OEM Interface	1



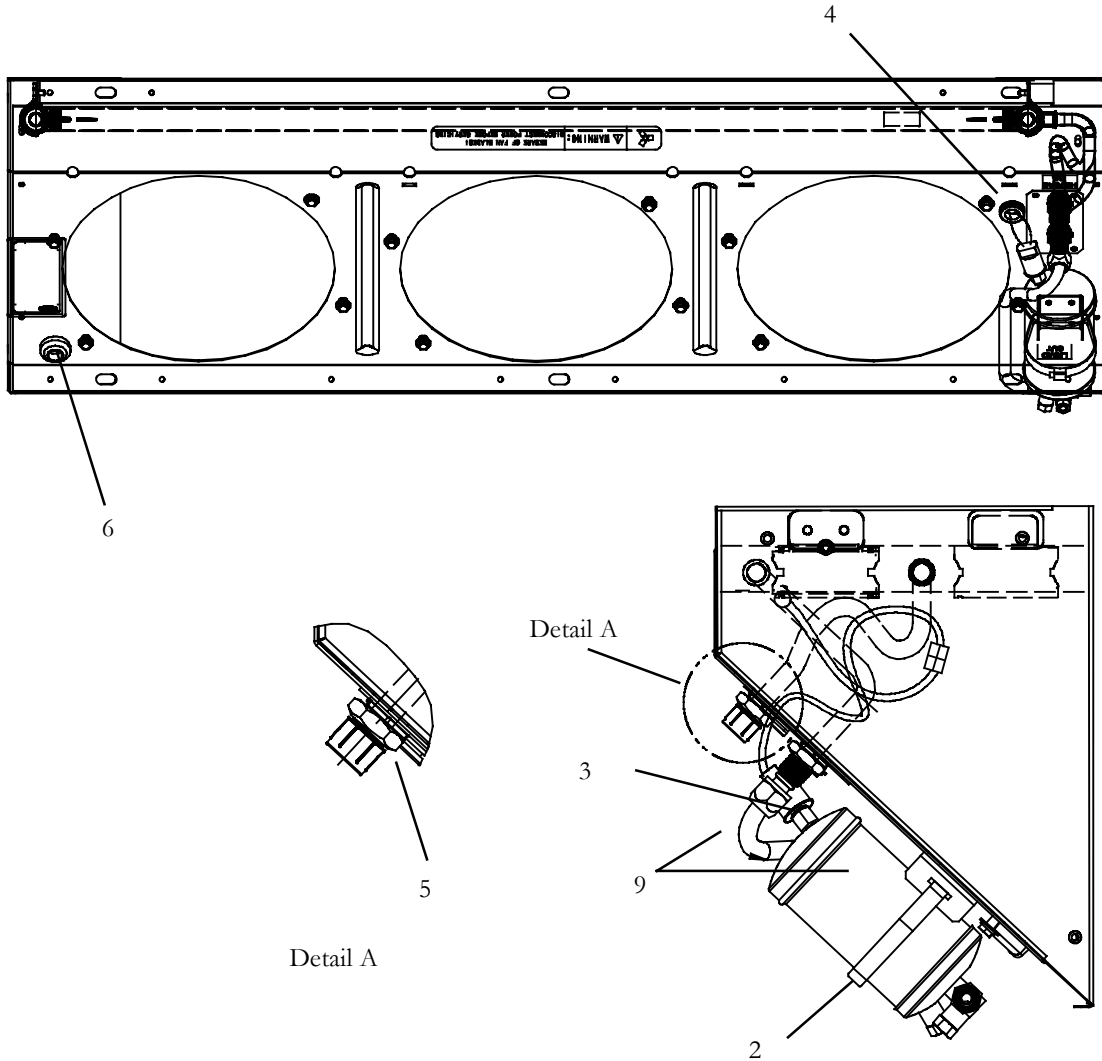
NOTE: Complete Wire Harnesses are Non-Stock Items. Replace Components are Listed.

2.2.6 CM-3, CONDENSER HARNESS 22-62272-00: OPTION 3



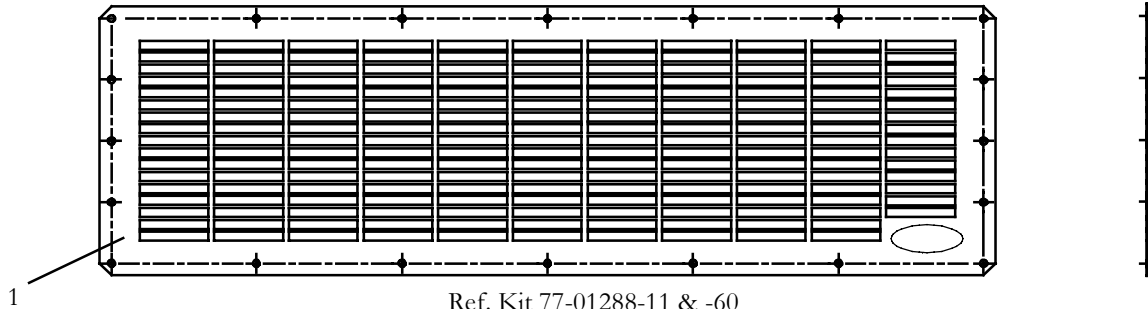
Item	Part Number	Description	Qty
1	22-62272-00	Harness, Condenser - Includes:	NSI
2	22-02392-00	...Connector, Male 2 Pin	1
3	22-02393-01	...Terminal, Male (18 AWG)	2
4	22-02394-00	...Cable Seal (18 AWG)	2
5	22-50099-27	...Housing, Plug, 2 Pin	1
6	22-50099-27A	...Terminal, Male (8 AWG)	2
7	AC201-905	...Condenser Motor Harness	3
8	22-01502-00	...Terminal, Male, Insulated Push On (18 AWG)	2
N.S.	76-62308-00	Mating Connector and Parts for OEM Interface	1

2.2.7 CONDENSER COIL REPLACEMENT KIT, CM-3 SLIM LINE, MICRO-CHANNEL (MCHX) : OPTION 1



Item	Part Number	Description	Qty
-	77-00250-50	CM-3 Service Chassis Kit - Includes:	1
1	65-00193-00	...Receiver, With Filter Drier	1
2	44-00045-19	...Clamp, Hose, Worm Type, Range: 2.56-3.50 Inches	1
3	AC201-414	...Switch, High Pressure, 400 - 300	1
4	58-04764-00	...Grommet, .25 ID x .84 Groove	1
5	34-06088-07	...Nut, Hex, Jam, 3/4-16	2
6	58-62019-00	... Bushing, Strain Relief	1

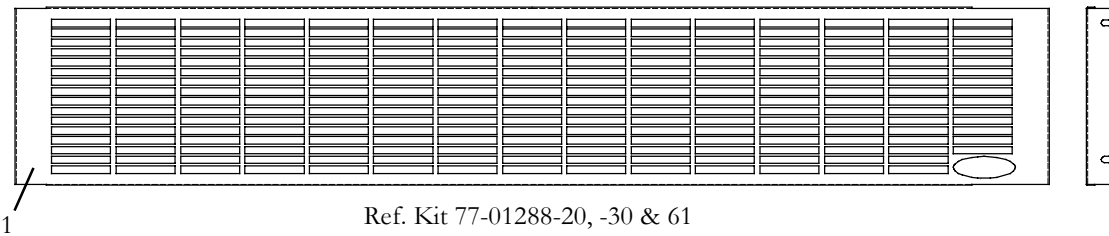
2.2.8 CONDENSER, CM-3, MCHX, GRILL ASSEMBLY: OPTION 1



Ref. Kit 77-01288-11 & -60
 Ref. Kit 77-00274-11 & -60

Item	Part Number	Description	Qty
1	68-08121-01	Grill, Skirt Mounted, (Black Smooth)	1
	68-08121-02	Grill, Skirt Mounted, (White Textured)	1

2.2.8 CONDENSER, CM-3, MCHX, GRILL ASSEMBLY (CHASSIS MOUNTED): OPTION 2

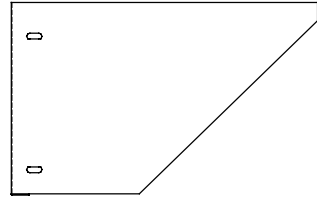
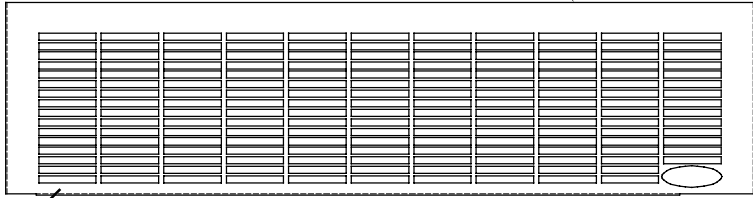


Ref. Kit 77-01288-20, -30 & 61
 Ref. Kit 77-00274-20, -30 & 61

Item	Part Number	Description	Qty
1	68-08123-00	...Grill, Condenser, Black Tecture	1



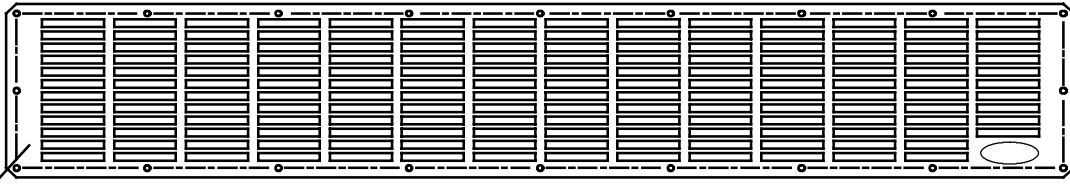
2.2.8 CONDENSER, CM-3, MCHX, GRILL ASSEMBLY (CHASSIS MOUNTED): OPTION 3



Ref. Kit 77-01288-21

Item	Part Number	Description	Qty
1	68-62495-00	...Wrapper, Condenser, White	1

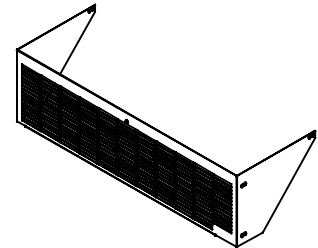
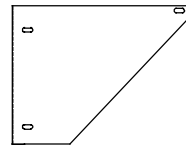
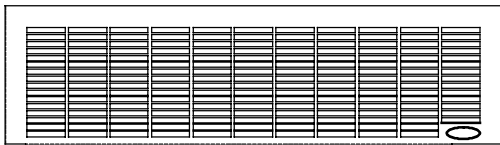
2.2.8 CONDENSER, CM-3, MCHX, GRILL ASSEMBLY: OPTION 4



Ref. Kit 77-01288-40 & -62
Ref. Kit 77-00274-40 & -62

Item	Part Number	Description	Qty
1	AC033-051	...Grill, Black, Textured	1

2.2.8 CONDENSER, CM-3, MCHX, GRILL ASSEMBLY: OPTION 5



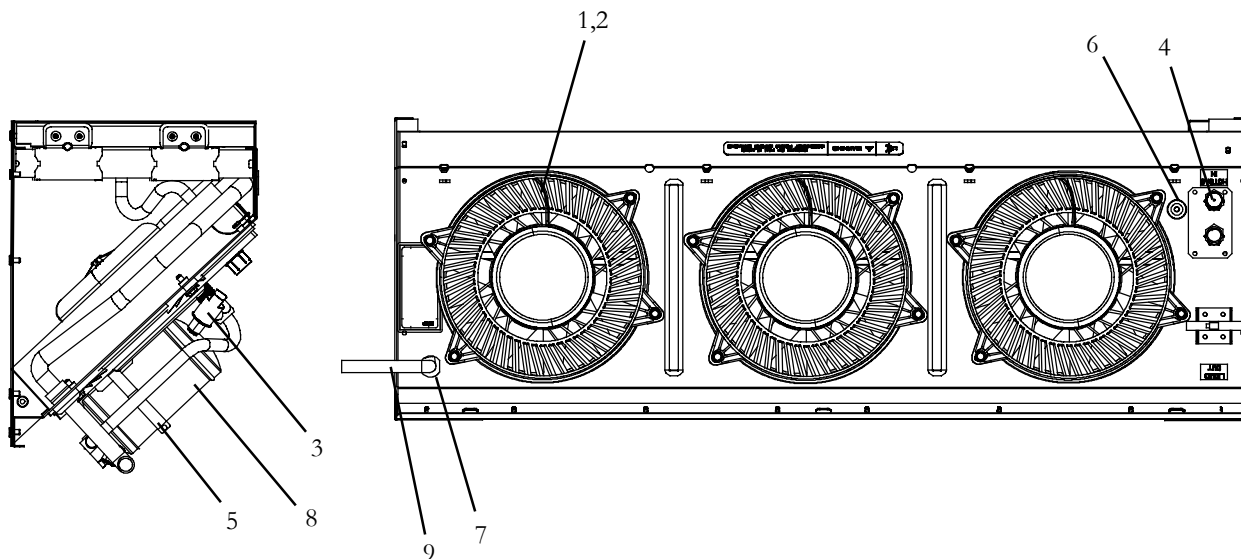
Ref. Kit 77-00274-21 & -22

Reference Only

Item	Part Number	Description	Qty
1	68-08278-00	...Wrapper, Condenser, White	1



2.2.9 CONDENSER, CM-3 HEAVY DUTY MCHX, CHASSIS KIT (12V) COMMON PARTS

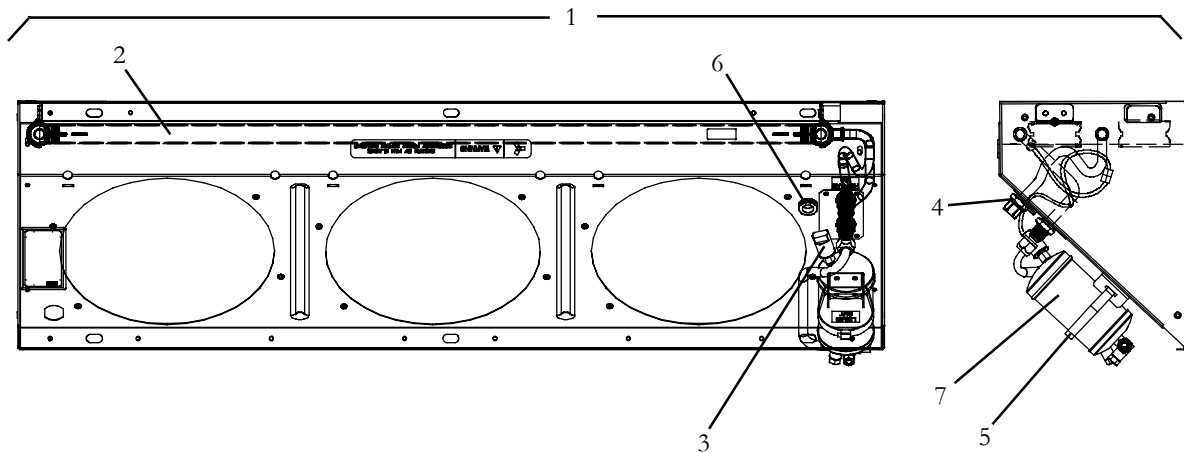


USED ON UNITS Y19-CM301-11 & -20

REFERENCE CHASSIS KITS Y24-CM301-00 & -01

Item	Part Number	Description	Qty
1	54-00618-03	Fan & Motor Assembly, 11" Vector, 12VDC W/Fuse	3
2	22-02336-25	. . . Fuse, 20A	1
3	12-00299-23	Switch, Pressure (Opens 390-410 psig - Close 290-310 psig)	1
4	34-06088-07	Nut, #8 ORS	2
5	44-00045-19	Clamp, Hose	1
6	58-04764-00	Grommet, Boot Type	1
7	58-62019-00	Bushing, Strain Relief	1
8	65-00193-00	Receiver/Filter Drier	1
9	NSI	Harness, CM-3, Butt Splice Interface (See Section 2.2.10)	1
NS	68-08121-01	Grill, Skirt Mounted, (Used with Y19-CM301-11 Only) (See Section 2.2.8)	1
10	68-08123-00	Grill, Chassis Mounted, (Used with Y19-CM301-20 Only) (See Section 2.2.8)	1

2.2.9 CONDENSER, CM-3 HEAVY DUTY MCHX, SERVICE REPLACEMENT CHASSIS (12V)



USED ON UNITS Y19-CM301-11 & -20

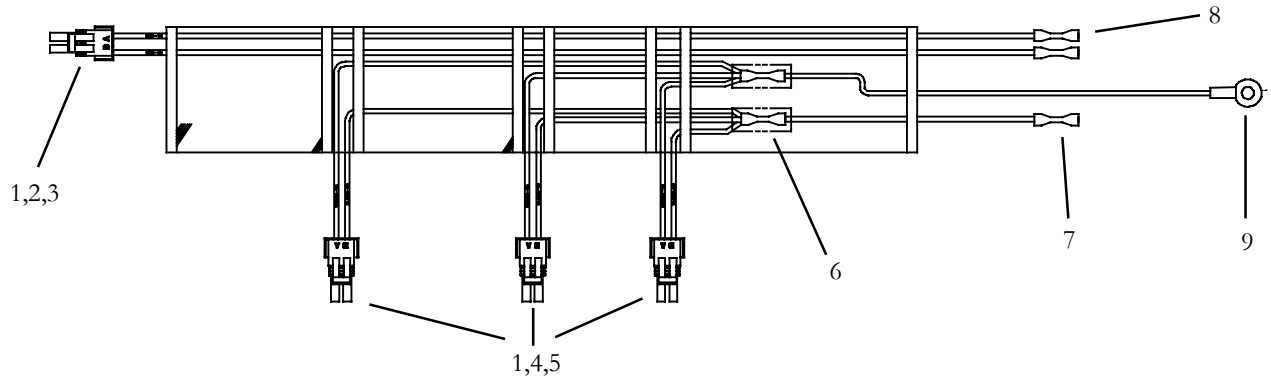
REFERENCE CHASSIS KITS Y24-CM301-00 & -01

Item	Part Number	Description	Qty
1	Y74-CM301-50	Replacement Chassis Kit: Includes	1
2	NSS	. . . Coil, Condenser, MCHX (E-Coating)	1
3	12-00299-23	. . . Switch, Pressure (Opens 390-410 psig - Close 290-310 psig)	1
4	34-06088-07	. . . Nut, #8 ORS	2
5	44-00045-19	. . . Clamp, Hose	1
6	58-04764-00	. . . Grommet, Boot Type	1
7	65-00193-00	. . . Receiver/Filter Drier	1



NOTE: Complete Wire Harnesses are Non-Stock Items. Replace Components are Listed.

2.2.10 CM-3, CONDENSER HARNESS , HEAVY DUTY MCHX, 12 VDC (Y24-00079-00)



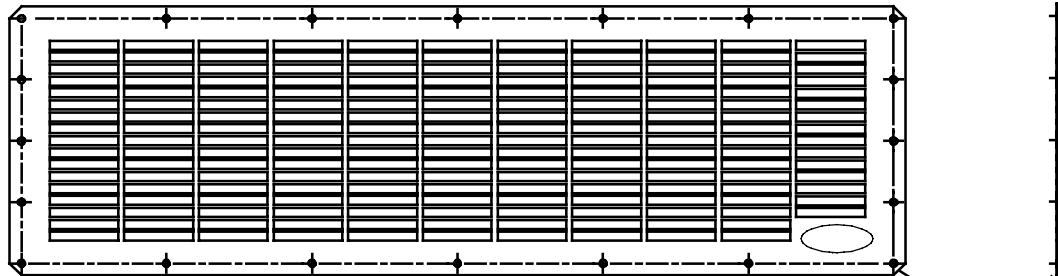
USED ON UNITS Y19-CM301-11 & -20

REFERENCE CHASSIS KITS Y24-CM301-00 & -01

Item	Part Number	Description	Qty
1	22-01585-00	Connector, Female, 2 -Way	4
2	22-01566-01	Terminal, Female, 18-20 AWG	2
3	22-02394-02	Seal, Cable	2
4	22-01566-00	Terminal, Female, 14-16 AWG	6
5	22-02394-00	Seal, Cable	6
6	N/A	Butt Connector, Step Down, 12-10 AWG W/Heat Shrink	2
7	N/A	Butt Splice, W/Heat Shrink, 8 AWG	1
8	N/A	Butt Splice, W/Heat Shrink, 18 AWG	2
9	N/A	Ring Terminal, W/Heat Shrink, 8 AWG - 1/4" Ring	1



2.2.11 CONDENSER, CM-3, MCHX, GRILL ASSEMBLY

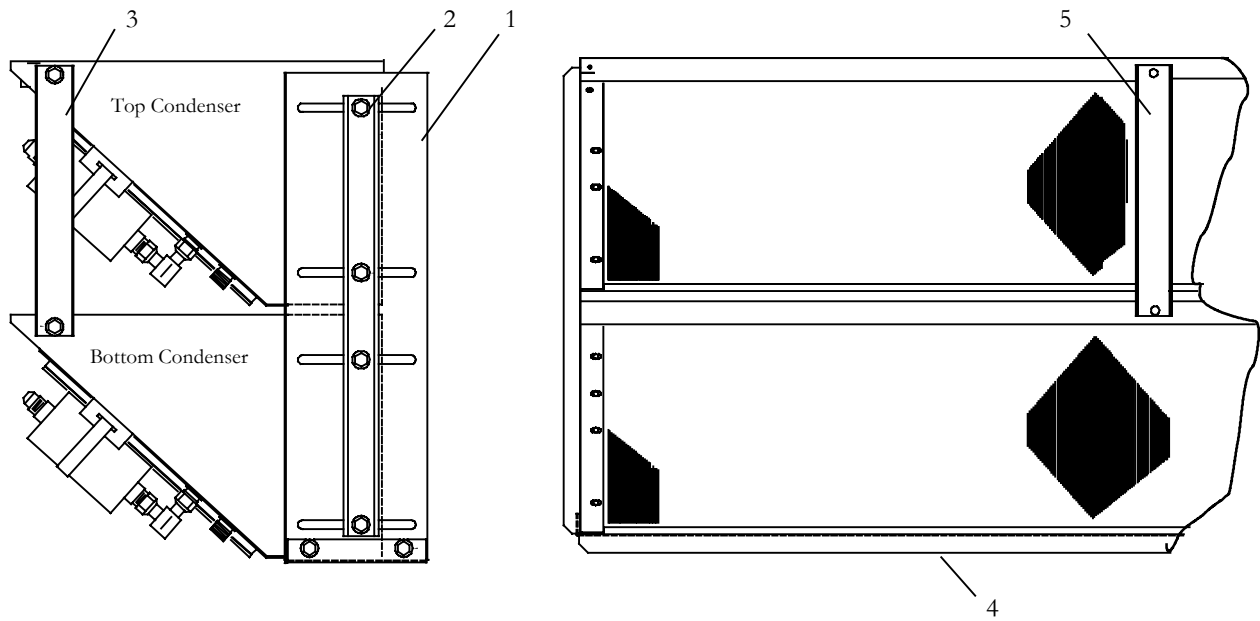


Ref. Kit 77-01288-11 & -60
Ref. Kit 77-00274-11 & -60

Item	Part Number	Description	Qty
1	68-08121-01	Grill, Skirt Mounted, (Black Smooth)	1

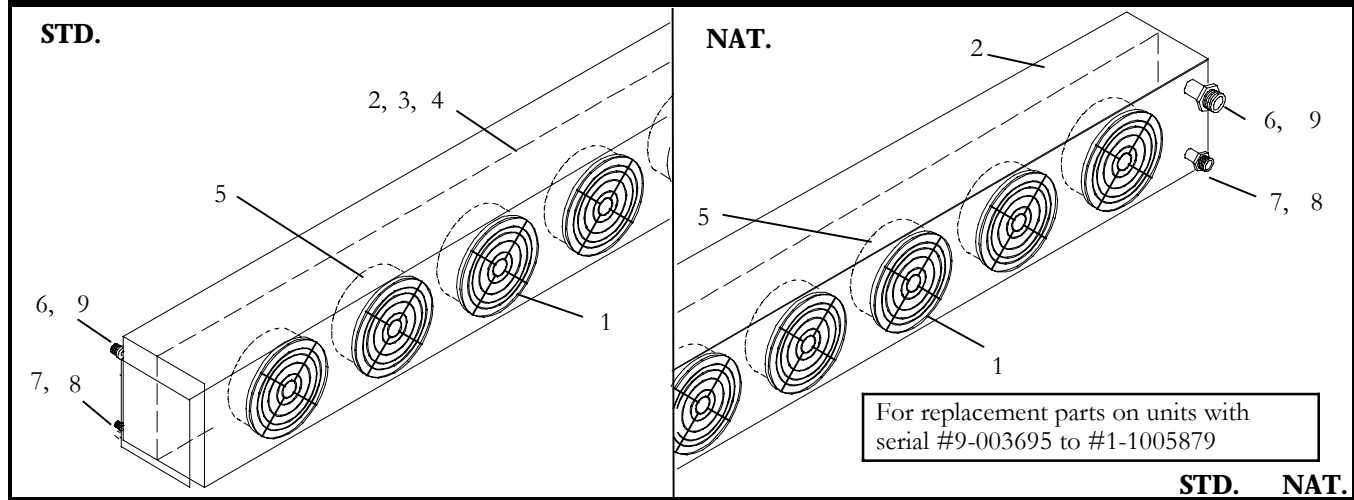


2.2.12 CONDENSER, STACKED, CM-2/CM-3



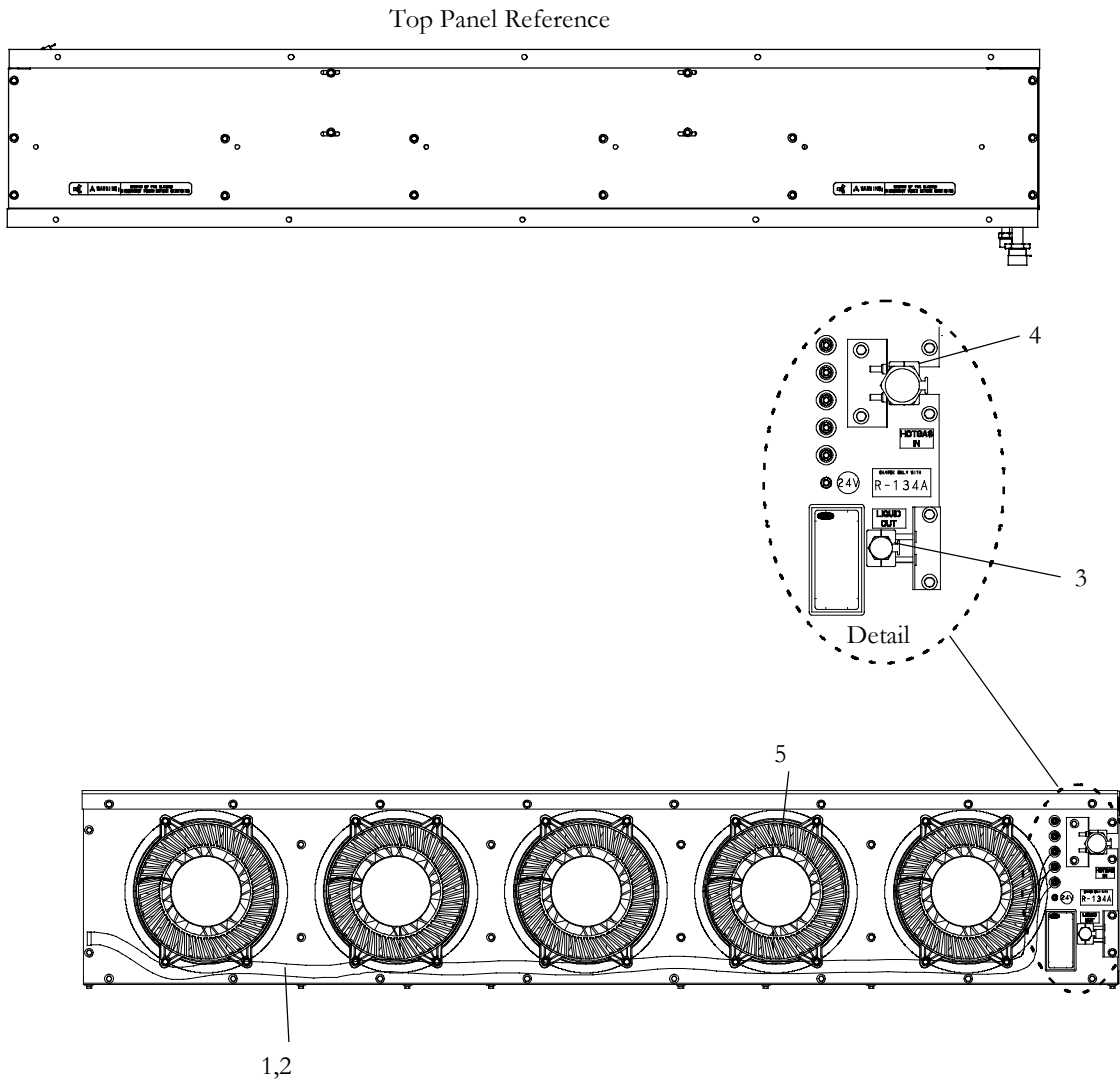
AC033-162 - KIT, CM-2 STACKED WITH BOTTOM SKIRTING
 AC033-163 - KIT, CM-3 STACKED WITH BOTTOM SKIRTING

Item	Part Number	Description	Qty
1	AC033-154	Bracket, Air Inlet, Stacked Condenser, Painted	2
2	AC033-158	Stiffner, Air Inlet, Stacked Condenser, Painted	2
3	AC033-155	Bracket, Air Outlet, Stacked Condenser, Painted	2
4	AC033-156	Plate, Block-Off, Stacked Condenser, Painted, 3 Fan Only	1
	AC033-157	Plate, Block-Off, Stacked Condenser, Painted, 2 Fan Only	1
5	AC033-160	Bracket, Front, Painted, (3 Fan Only)	1
N/S	AC033-164	Instructions, Installation Drawing	1

SECTION 2.3 CM-5 CONDENSER
2.3.1 CONDENSER, CM-5


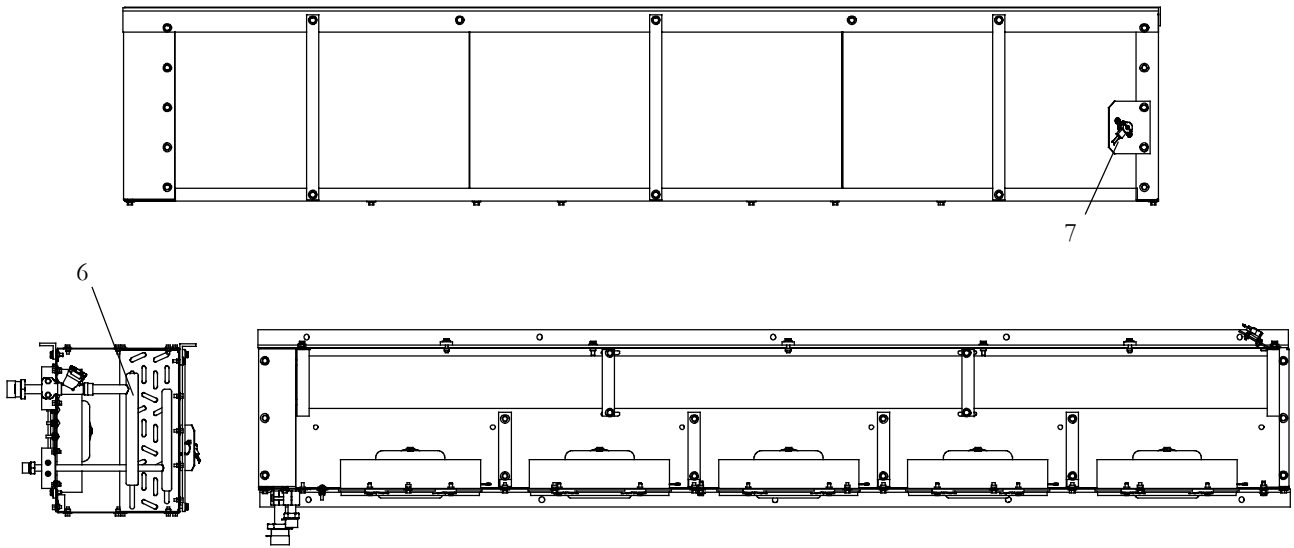
Item	Part Number	Description	STD. Qty	NAT. Qty
1	AC030-234	Guard, Fan	5	5
2	AC030-340	Coil Assembly	NA	1
	81-62062-00	Coil Assembly - Includes:	1	NA
3	08-62005-00	...Coil	1	NA
4	14-00029-07	...Check Valve	1	NA
N/S	22-02336-06	Fuse, 15 AMP	5	5
N/S	22-50078-23	Cover, Fuse	5	5
N/S	22-50078-22	Holder, Fuse	5	5
N/S	22-50078-49L	Terminal, Fuse	10	10
5	AC030-313	Assembly, Fan, 12 VDC	5	NA
	AC030-314	Assembly, Fan, 24 VDC	5	NA
	AC030-315	Assembly, Fan, 24 VDC, (2-Speeds)	5	5
N/S	10-00300-00	Solenoid, (Normally Open)	NA	1
N/S	12-00299-11	Switch, Pressure-CFS/R134a	NA	1
N/S	12-01132-00	Switch, Temperature (LATH)	1	NA
6	40-00491-00	Fitting, ORS, (Discharge)	1	1
7	40-00491-09	Fitting, ORS, (Liquid)	1	1
N/S	AC201-615	Resistor, .25 OHM, With Mounting Brackets	N/A	1
8	42-00243-00	O-Ring, ORS, #16	1	1
9	42-00243-03	O-Ring, ORS, #10	1	1

2.3.2 CONDENSER, CM-5, FRONT and TOP VIEWS, 77-62001-00, -01 & -02



Item	Part Number	Description	Qty
1	58-00079-02	Sta-Strap, 0-1.75 Dia. Cable	15
2	22-62012-00	Wire Harness, CM5 (See Section 2.3.4)	1
3	44-00285-82	Clamp, Tube, 5/8 in. O.D.	1
4	44-00285-83	Clamp, Tube, 7/8 in. O.D.	1
5	54-00618-02	Fan and Motor, 11 in. Vector, 24V W/Fuse	5

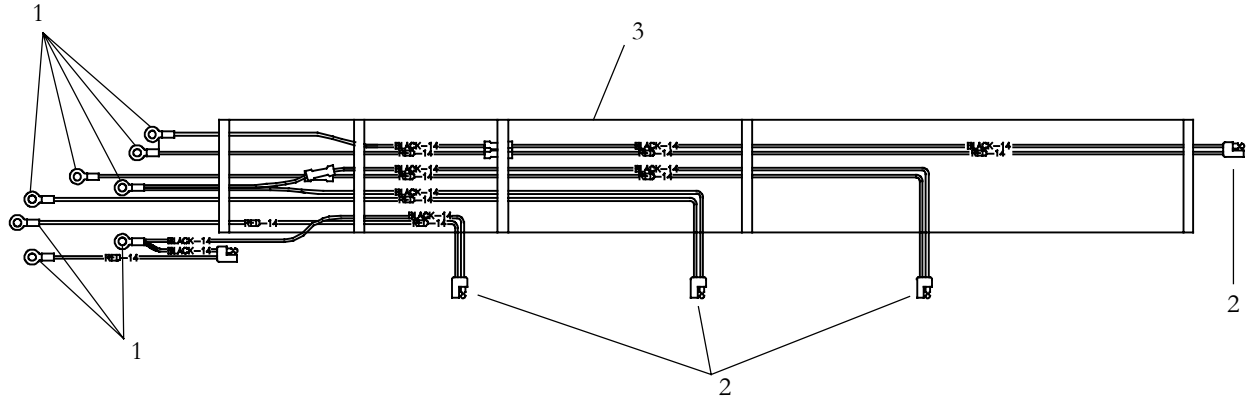
2.3.3 CONDENSER, CM-5, BACK, SIDE and BOTTOM VIEWS, 77-62001-00 , -01 & -02



Item	Part Number	Description	Qty
6	81-62062-00	Coil Assembly - Includes:	1
	08-62005-00Coil	1
	14-00029-07Discharge Check Valve	1
7	12-01132-00	Switch, Temperature	1

NOTE: Complete Wire Harnesses are Non-Stock Items. Replace Components are Listed.

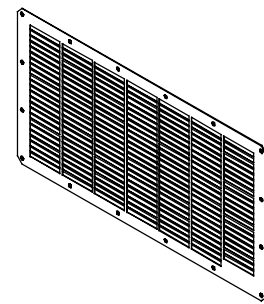
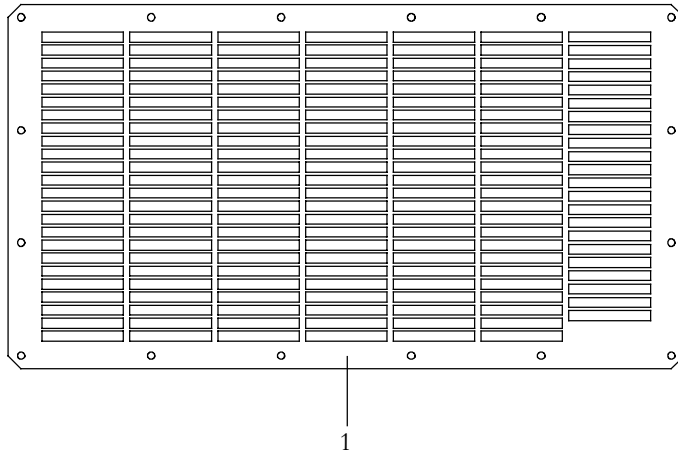
2.3.4 CONDENSER, CM-5, HARNESS ASSEMBLY - 22-62012-00



Used with CM5 Part # 77-62001-00

Item	Part Number	Description	Qty
1	22-01502-01	Terminal, Ring 1/4	8
2	22-01139-03	Connector, Male, Push On	4
3	58-00850-00	Split Loom, 1 in., Black	1

2.3.5 CONDENSER, CM-5, SKIRT MOUNTED GRILL

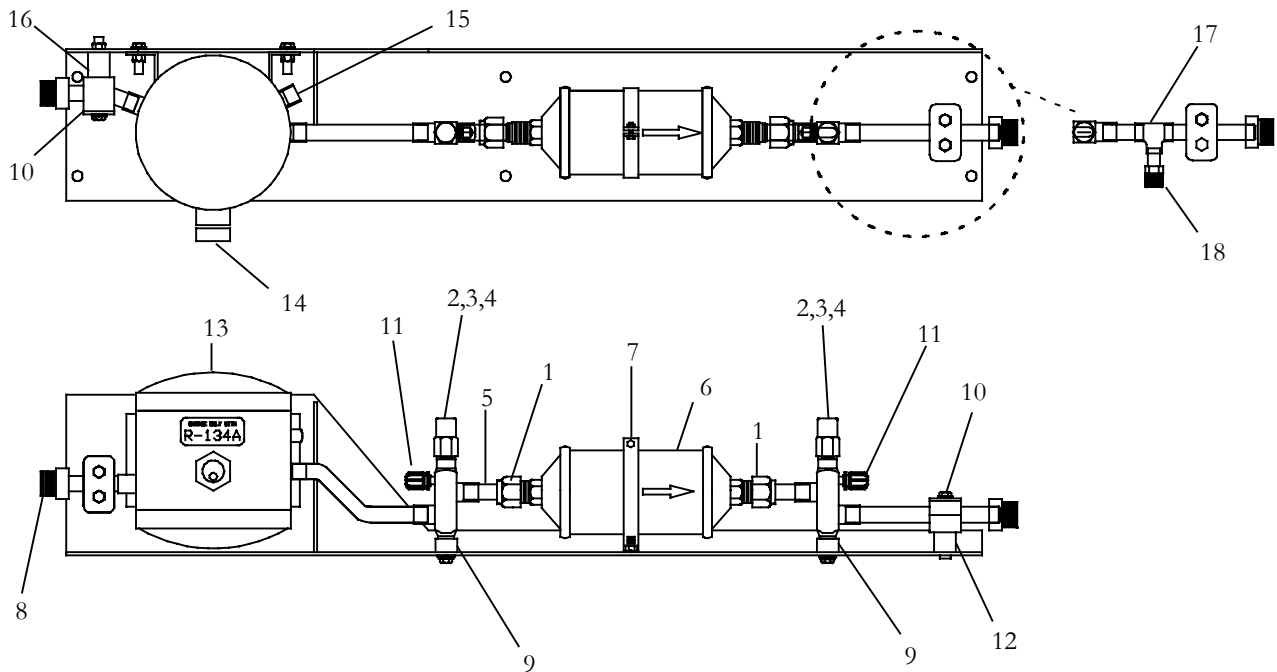


Reference Only

Item	Part Number	Description	Qty
1	68-62071-00	Grill, Condenser, SKT Mounted, 26 in. X 14 in.	3



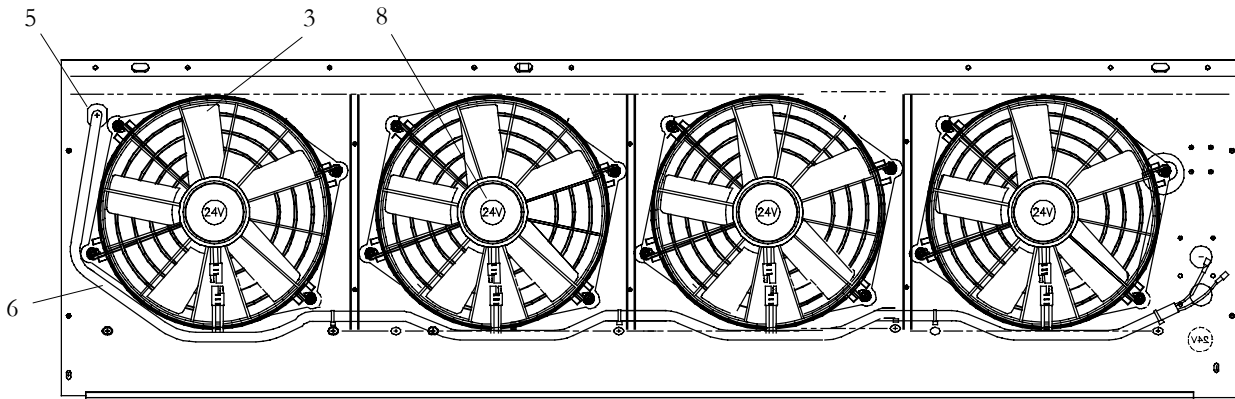
2.3.6 LIQUID LINE ASSEMBLY, CM-5, CM-14, & C4RE, (REMOTE)



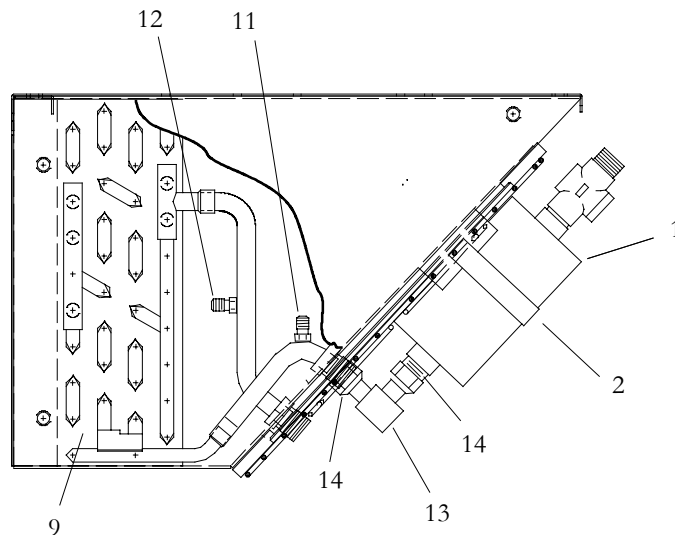
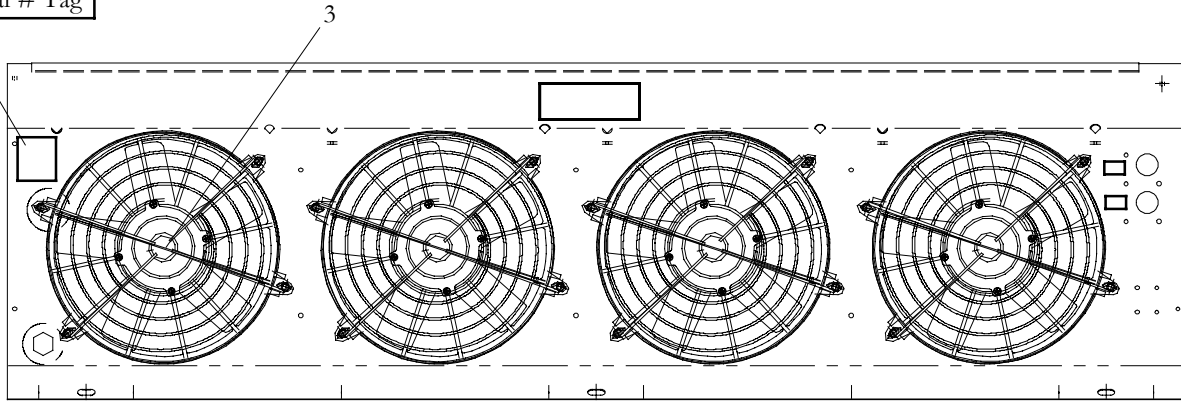
Item	Part Number	Description	Qty
1	40-00097-10	Nut, Flare, 5/8 Short	2
2	40-00501-05	Valve, King	2
3	14-00351-00	. . . Core, Schrader Valve	2
4	40-00501-50	. . . Cap, King Valve, Service Part	2
5	68RT10-1462	Tube, Flared, 5/8 OD X .040W Copper	1
6	14-00200-00	Filter Drier, 41 Cubic Inch	1
7	AC701-243	Clamp, Conduit, 3 Inch, SST	1
8	40-00491-09	Fitting, 5/8 ODF x 1.00 ORS	2
9	AC601-609	Spacer, 7/8 X 1/2 X 9/16 Inch	2
10	44-00285-82	Clamp, Tube, 5/8 OD	2
11	40-00501-50	Cap, King Valve, Service Part	2
12	AC601-615	Spacer, 7/8 X 1/2 X 15/16 Inch	2
13	65-01035-01	Receiver Assembly	1
14	AC101-203	Sightglass, Moisture Indicator, 7/8-14	1
15	14-01032-01	Plug, Fusible, 3/8 MPT	1
16	AC601-618	Spacer, 7/8 X 1/2 X 1-1/8 Inch	2
17	40-00169-33	Tee, Reducing, 5/8 X 5/8 X 1/2 , (C4RE Only)	1
18	40-62032-02	Nut, Swivel Fitting, #8 MIO X 1/2 Tube, (C4RE Only)	1

SECTION 2.4 CM-14 CONDENSER SERIES

2.4.1 CONDENSER, CM-14 STANDARD MODEL (77-62083-02, -04, -08, -09, -10 & -11)



Serial # Tag

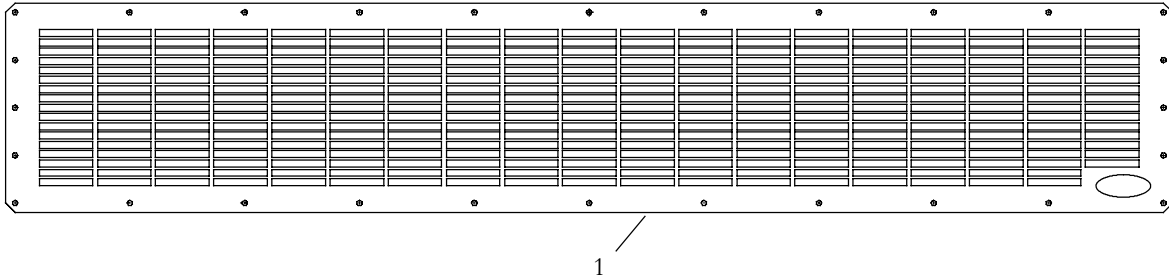




2.4.1 CONDENSER, CM-14 STANDARD MODEL (77-62083-02, -04, -08, -09, -10 & -11) - Continued :			
Item	Part Number	Description	Qty
1	14-00288-00	Filter Drier/Sight Glass Assembly	1
2	AC701-269	Clamp, 2-1/16 Inch to 3 Inch	1
3	54-00618-01	...Fan & Motor Assembly, Vector, 12V W/Fuse, (No Repl. Motor) Includes:	4
3A	22-02336-25Fuse, 20 Amp	1
4	66U1-3882	...Wire Tie, Self-Locking, 7.00 Inches, Black	A/R
5	58-62019-00	...Bushing, Strain Relief	1
6	22-62275-00	...Harness Assembly, Staged Fans, Standard 12 VDC - Includes:	1
6A	22-02392-00Connector, 2 Pin, Black	1
6B	22-02393-01Terminal, Male (18-20 AWG)	2
6C	22-02394-00Seal, Cable, Gray	2
6D	22-50371-00Connector, 2 Pin	1
6E	22-50372-00Terminal, Male (8 AWG)	2
7	AC030-234	...Guard, Fan, Condenser	4
8	54-00545-00	...Fan & Motor Assembly, 24 VDC	4
	54-00618-02	...Fan & Motor Assembly, 11" Vector, 24 VDC w/Fuse	4
4	66U1-3882	...Wire Tie, Self-Locking, 7.00 Inches, Black	A/R
5	58-62019-00	...Bushing, Strain Relief	1
6	22-62275-00	...Harness Assembly, Staged Fans, CM-14, Standard, 24V - Includes:	1
6A	22-02392-00Connector, 2 Pin, Black	1
6B	22-02393-01Terminal, Male (18-20 AWG)	2
6C	22-02394-00Seal, Cable, Gray	2
6D	22-50371-00Connector, 2 Pin	1
6E	22-50372-00Terminal, Male (8 AWG)	2
9	81-62105-00	Coil Assembly, Condenser, CM-14 With Pressure Switches - Includes:	1
10	08-62036-00	...Coil Assembly, Condenser (CM-14)	1
11	AC201-414	...Switch, Pressure, High	1
12	AC201-412	...Switch, Pressure, Low	1
13	40-62036-00	Fitting, 90 Degree, 1/2 Inch F.O.R. X 1/2 Inch F.O.R.	1
14	AC801-202	O-Ring, 1/2 Inch, HNBR	4

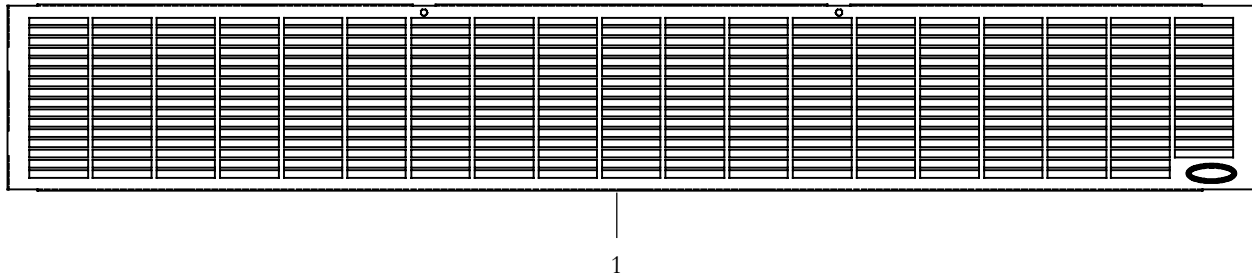


2.4.2 CONDENSER, CM-14, GRILL, STANDARD MODEL, (77-62083-02 & -04)



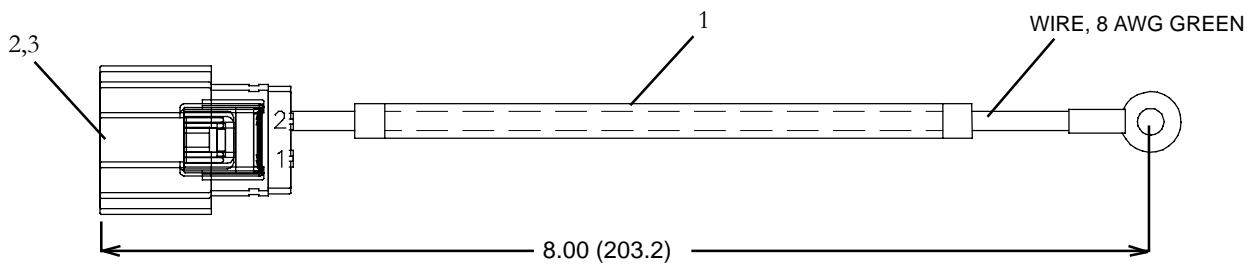
1	68-63265-00	Grill, Skirt Mounted, CM-14	1
---	-------------	-----------------------------	---

2.4.2 CONDENSER, CM-14, GRILL, CHASSIS MOUNTED - (77-62083-08 & -09)



1	68-63566-00	Grill, Condenser, Chassis Mounted, Painted	1
---	-------------	--	---

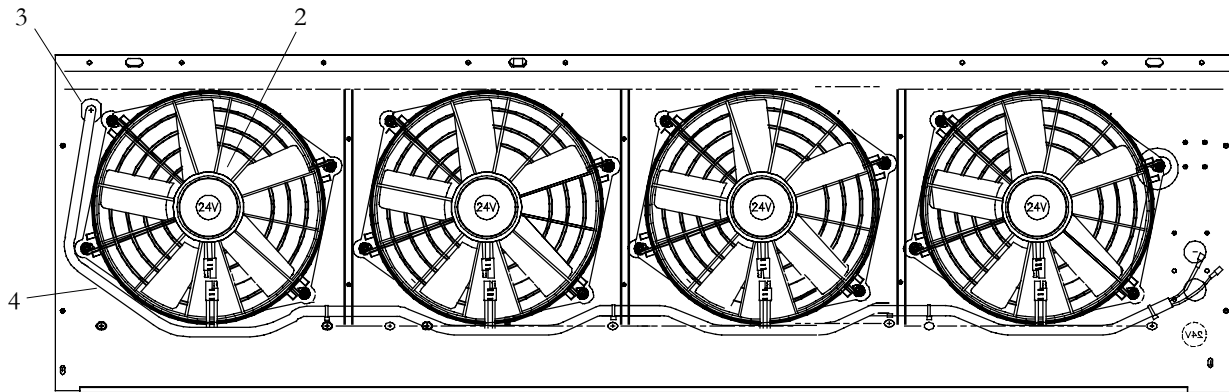
2.4.3 CM-14, CONDENSER GROUND/POWER HARNESS (FOR 77-62083-02, -04, -08, -09)



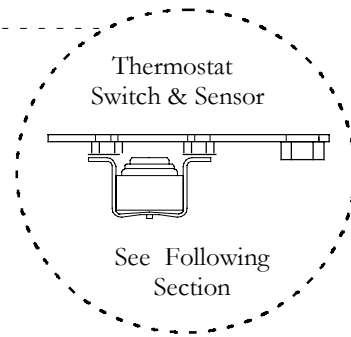
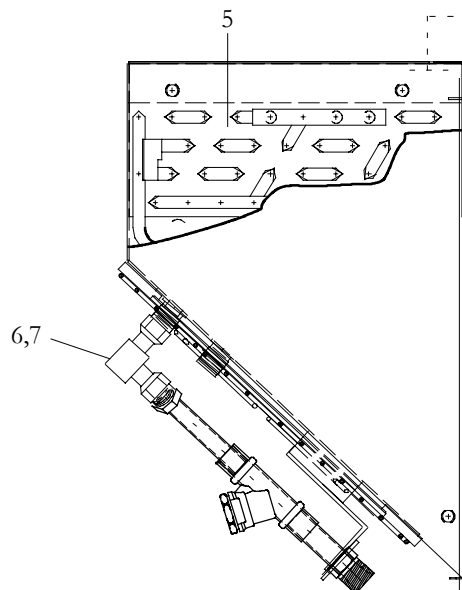
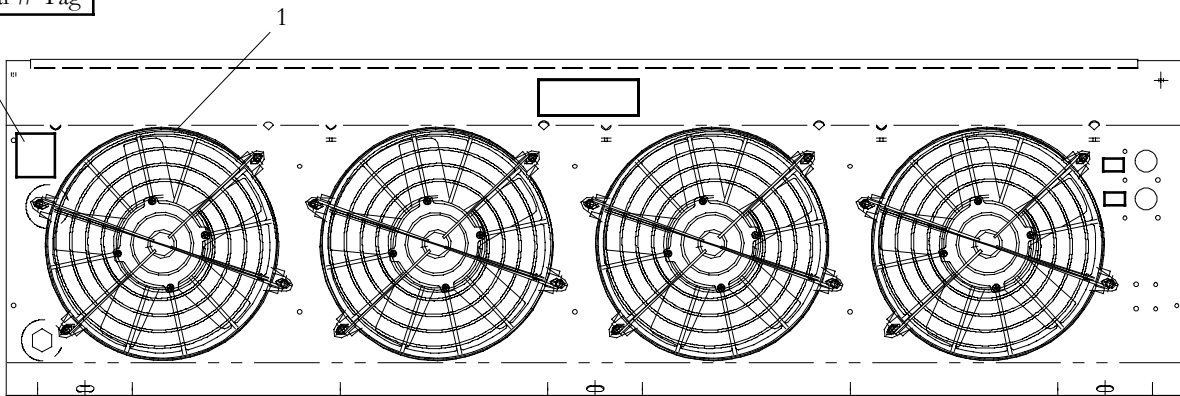
Item	Part Number	Description	Qty
1	22-62277-00	Harness, Condenser - Includes:	1
2	22-50099-28	...Housing, Receptacle, 2 Pin, Black	1
3	22-50099-28A	...Terminal, Female (8 AWG)	1



2.4.4 CONDENSER, CM-14 C4RE MODEL (77-62083-00)



Serial # Tag

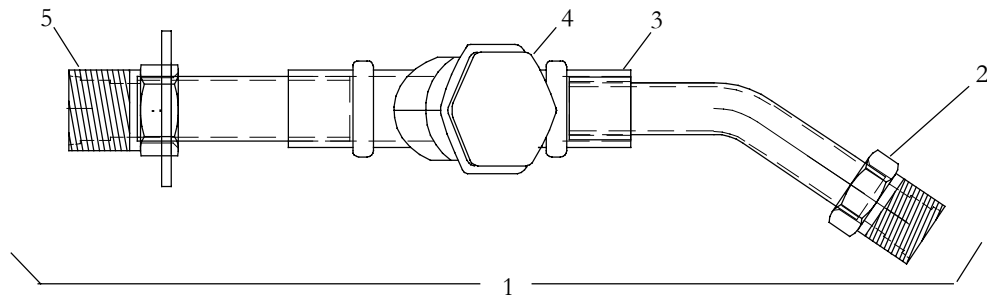




2.4.4 CONDENSER, CM-14 C4RE MODEL (77-62083-00) - Continued :

Item	Part Number	Description	Qty
1	AC030-234Guard, Fan, Condenser	4
2	54-00545-00Fan & Motor Assembly, 24 VDC	4
3	58-62019-00Bushing, Strain Relief	1
4	22-62163-00Harness Assembly, Staged Fans, CM-14, C4RE	1
5	08-62036-00	Assembly, Coil, CM-14	1
6	40-62036-00	Fitting, 90 Degree, 1/2 Inch F.O.R. X 1/2 Inch F.O.R.	1
7	AC801-202	O-Ring, 1/2 Inch, HNBR	2

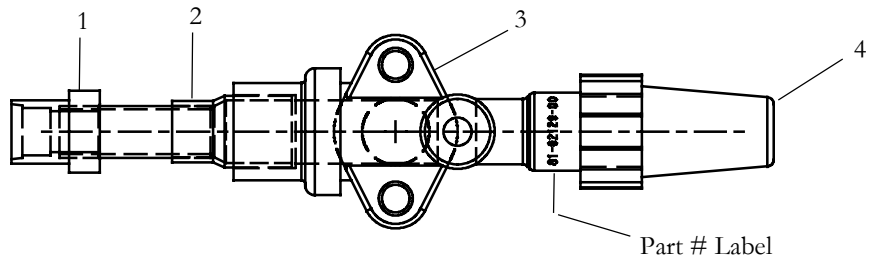
2.4.4 CONDENSER, CM-14 C4RE, CHECK VALVE & TUBE ASSEMBLY



1	81-62122-00	Check Valve & Tube Assembly - Includes:	1
2	40-62032-02Nut, Swivel, #8 MIO X 1/2 ODF.	1
3	40-00201-04Bushing, Flush, 5/8 ODM X 1/2 ODF	1
4	14-00029-04Valve, Check, 5/8 ODF	1
5	40-62032-01Nut, Swivel Fitting, #10 MIO X 5/8 ODF	1

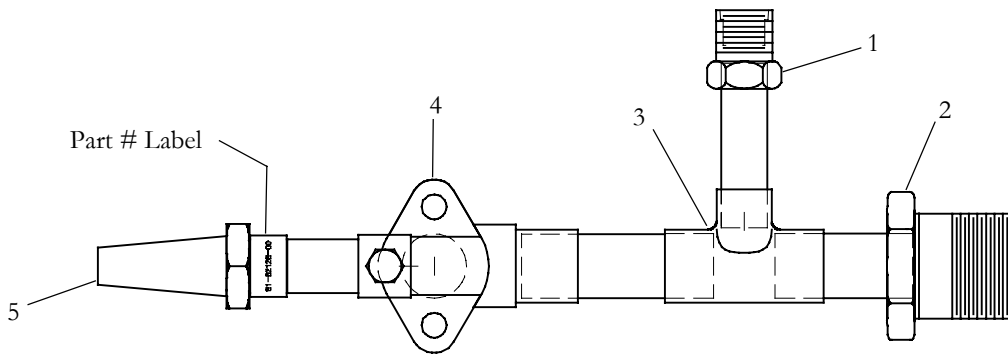


2.4.4 CONDENSER, CM-14 C4RE, DISCHARGE VALVE ASSEMBLY (BB)



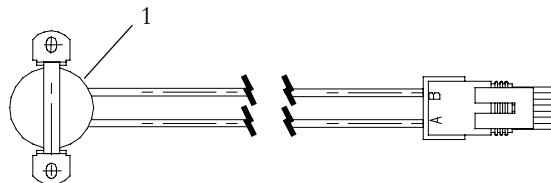
NSI	81-62129-00	Discharge Valve Assembly - Includes:	1
1	40-62032-01Nut, Swivel Fitting, #10 MIO X 5/8 ODF	1
2	40-00490-12Reducer, Copper	1
3	14-01042-08Valve, Compressor Shut-Off, (For 7/8 Tubing)	1
4	17-10812-01Cap, Valve, Plastic	1

2.4.4 CONDENSER, CM-14 C4RE, SUCTION VALVE ASSEMBLY (BB)



NSI	81-62128-00	Suction Valve Assembly - Includes:	1
1	40-62032-01Nut, Swivel Fitting, #10 MIO X 5/8 ODF	1
2	40-00491-18Fitting, ORS, Brass, 1-11/16-12 Thread (For 7/8 Tubing)	1
3	40-00169-13Tee, Reducing, Copper (7/8 X 7/8 X 5/8)	1
4	EN07AA284Valve, Compressor Shut-Off (For 7/8 Tubing)	1
5	17-10812-01Cap, Valve, Plastic	1

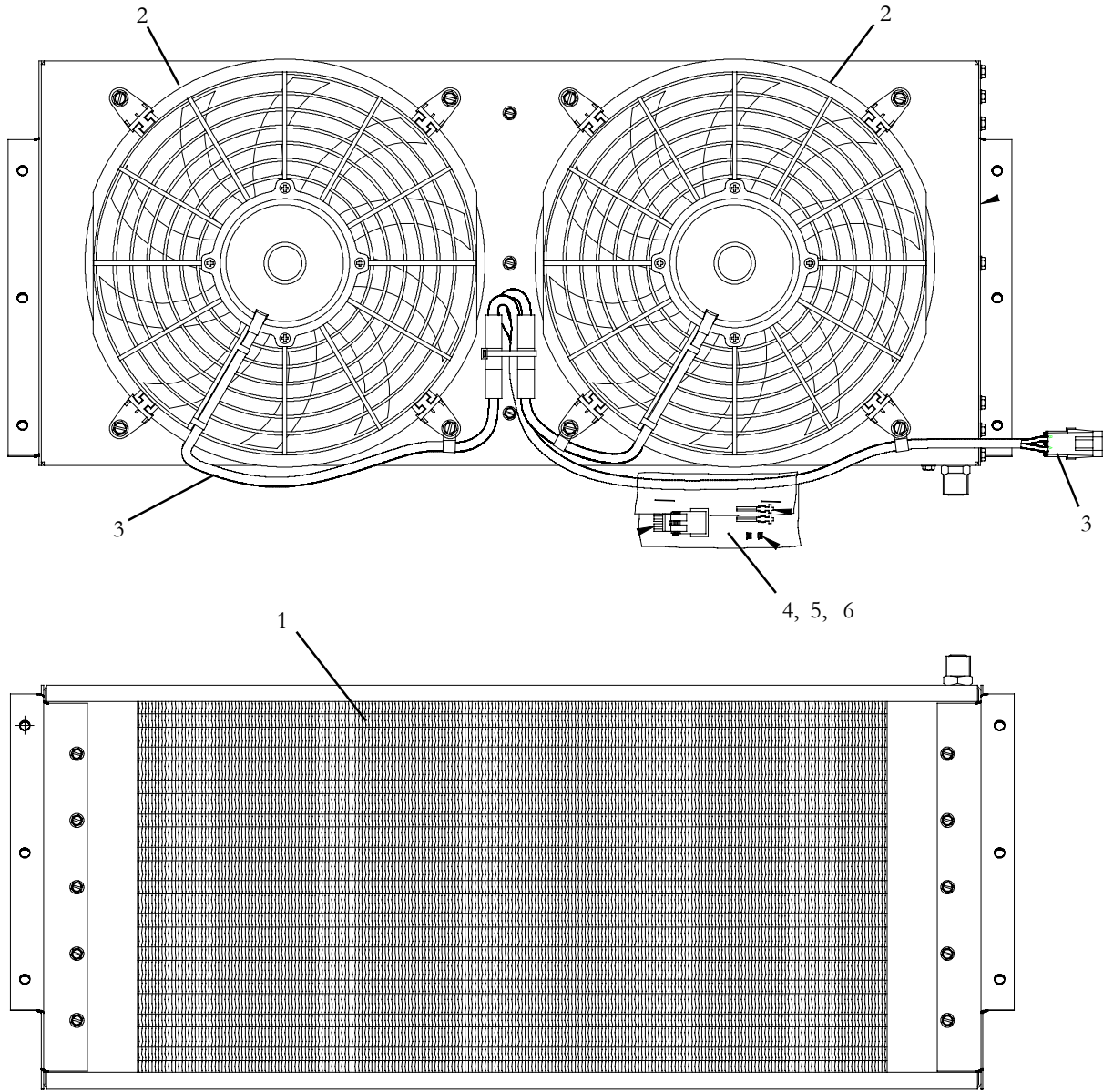
2.4.4 CONDENSER, CM-14 C4RE LOW AMBIENT THERMOSTAT SWITCH



1	10-00317-01	Switch, Thermostat, Low Ambient (C4RE Only)	1
---	-------------	---	---

SECTION 2.5 CM-15 CONDENSER SERIES

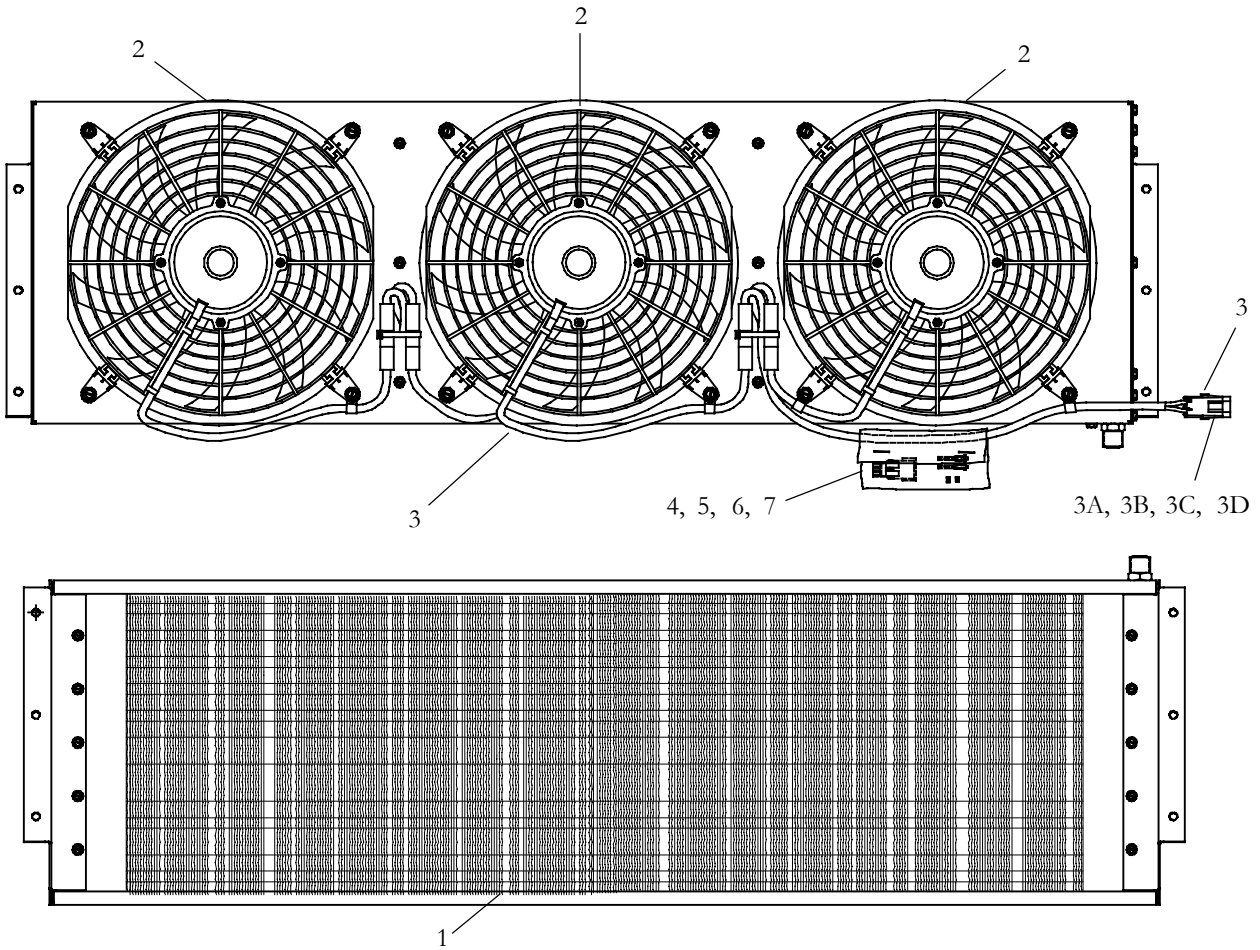
2.5.1 CONDENSER, CM-15 (77-62175-00)



Item	Part Number	Description	Qty
1	08-50018-00	Coil Assembly, Two Fan Condenser	1
2	54-50108-00	Fan & Motor Assembly, Condenser, 12 VDC	2
3	22-50343-00	Harness, Two Fan Condenser	1
4	22-01585-00SK	Connector, Male, 2 Pin, Black	1
5	22-50078-58H	Terminal, Female (12 AWG)	2
6	22-02394-01	Seal, Cable, Blue	2

SECTION 2.6 CM-16 CONDENSER SERIES

2.6.1 CONDENSER, CM-16 (77-62201-00)



Item	Part Number	Description	Qty
1	08-50020-00	Coil Assembly, Three Fan Condenser	1
2	54-50108-00	Fan & Motor Assembly, Condenser, 12 VDC	3
3	22-50358-00	Harness, Three Fan Condenser - Includes:	1
3A	22-50078-01	...Connector, Male, 2 Pin, Black	1
3B	22-50078-47B	...Terminal, Male (12-14 AWG)	2
3C	22-02394-00	...Seal, Cable, Gray	2
3D	22-50078-01A	...Lock, Secondary	1
4	22-50078-02	Connector, Female, 2 Pin, Black	1
5	22-50078-47E	Terminal, Female (12-14 AWG)	2
6	22-02394-00	Seal, Cable, Gray	2
7	22-50078-01A	Lock, Secondary	1



SECTION 2.7 K410 CONDENSER SERIES

2.7.1 CONDENSER, K410, 3 MOTOR, 12V (SPAIN) 02-94-10-101-00



Item	Part Number	Description	Qty
1	SES132236	Cover, Condenser, K410	1
2	SES130027	Fan & Motor Assembly, Condenser, 12 VDC	3
3	SES261045	Spade, Terminal, Male	6



2.7.1 CONDENSER, K410, 3 MOTOR, 12V (SPAIN) - Continued:



Item	Part Number	Description	Qty
4	SES132205	Coil Assembly, Condenser, K410, Complete	1
5	SES172643	Receiver Tank/Tube Assembly	1
6	SES171087	Valve, Safety, 3/8	1
7	22-62303-00	Harness Assembly, Electrical	NSI
8	SES181104	Switch, High Pressure	1
9	SES248014	Clamp, Hose, 50/70S	1
10	66U1-3882	Wire Tie, Self-Locking, 7.00 Inches, Black	10

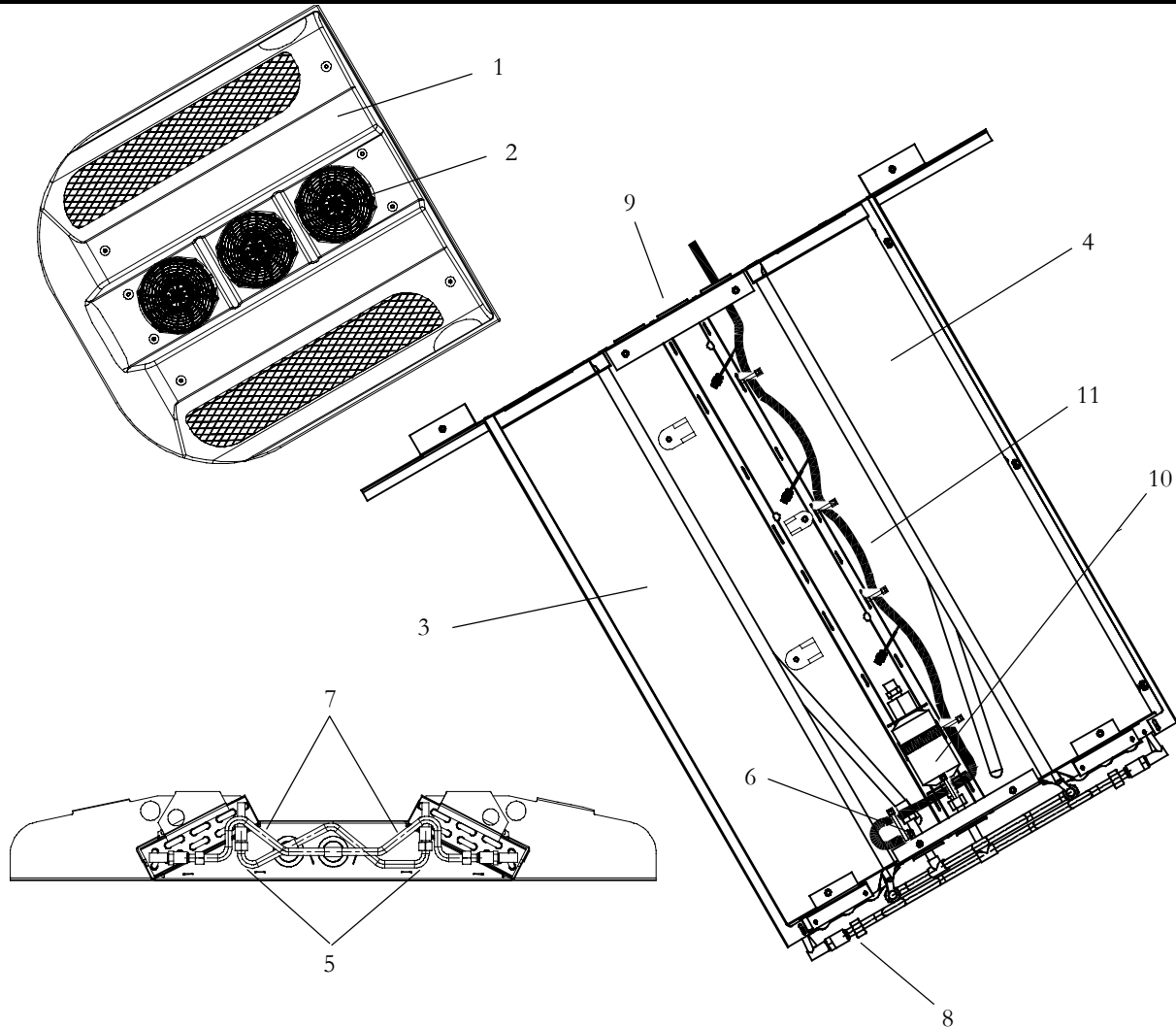


2.7.1 CONDENSER, K410, 3 MOTOR, 12V (SPAIN) - Continued:





2.7.2 CONDENSER, K410, 3 MOTOR, 12V (NORTH AMERICAN VERSION)

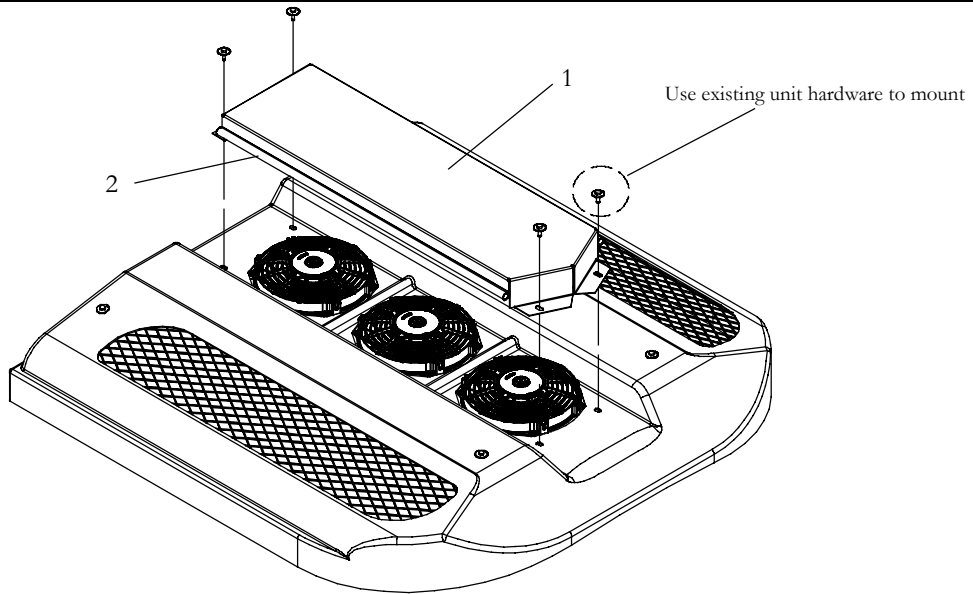


REF. UNIT #'s 77-62251-00, -01, -21, -22, -23, -24, -25, -26, -27

Item	Part Number	Description	Qty
1	79-62136-00	Cover Assembly, NA 7071MM (Used w/ units 77-62251-00, -21, -23, -24, -25)	1
	79-62136-01	Cover Assembly, NA 3000MM (Used w/ units 77-62251-01, -22, -26, -27)	
2	54-00643-00	Condenser Fan Assembly	3
3	08-62081-00	Condenser Coil Assembly, Curbside	1
4	08-62081-01	Condenser Coil Assembly, Roadside	1
5	81-62169-00	Tube Assembly, Hot Gas In	1
6	AC201-414	Pressure switch, High (400-300 psig)	1
7	81-62170-00	Tube Assembly, Liquid Out	1
8	AC801-202	O-Ring, (1/2" HN BR)	5
9	58-62223-00	Grommet	5
10	14-00288-00	Filter Drier, (16 cu.in. w/Sightglass)	1
11	22-62312-00	Wire Harness, Butt Splice Interface	NSI
	22-62312-01	Wire Harness, Connector Interface	



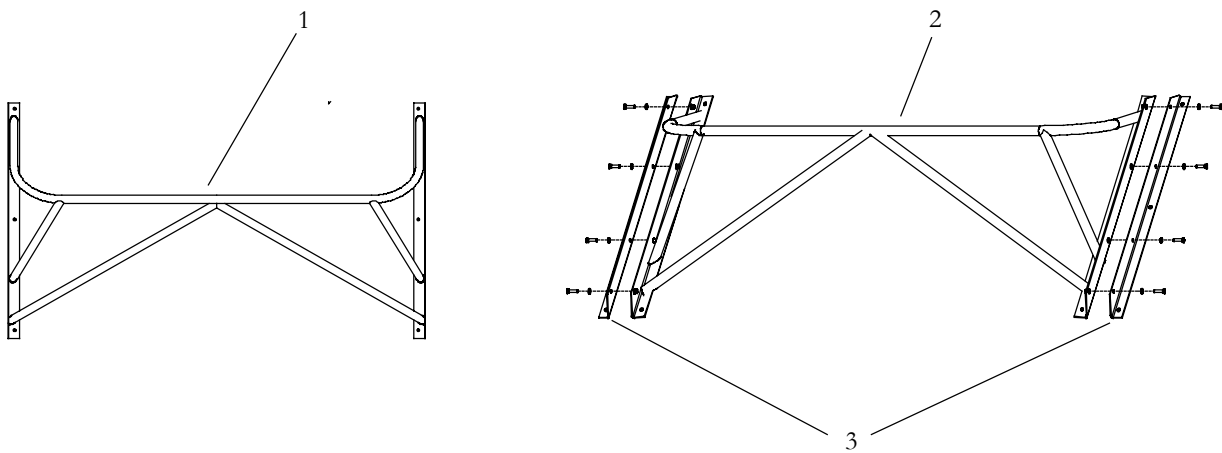
2.7.3 CONDENSER, K410 WINTERGUARD KIT (NORTH AMERICAN VERSION) KIT # 76-62362-00



FOR UNIT #'s 77-62251-XX (ALL N.A. VERSIONS)

Item	Part Number	Description	Qty
1	68-63885-00	Cover	1
2	58-62064-01	Trim, Flexible, 1/16 in. Grip (5.42 LN. FT.)	1

2.7.4 CONDENSER, K410 BRUSH GUARD KIT (NORTH AMERICAN VERSION) KIT #



Item	Part Number	Description	Qty
1	86-62565-00	Weld Assembly, Branch Guard (6° Angle Integrated Mounting Foot)	1
2	86-62565-01	Weld Assembly, Branch Guard (6° Angle & Universal Mounting Foot)	1
3	Y24-00185-00	Universal Mounting Bracket, Branch Guard	2

SECTION 2.8 CONDENSER, CR430 Condensers

INTRODUCTION

The Mobile Climate Control model CR430 series condensers are of lightweight frame construction, designed to be installed on the vehicle roof.

CONFIGURATION IDENTIFICATION

Unit identification information is provided on a plate located inside the condenser. The plate provides the unit model number, the unit serial number. The model number identifies the overall unit configuration listed in the options table to identify the replacement parts.

This section provides a description of and a tabular listing of unit model numbers to assist the reader in identifying the equipment supplied and any required service parts.

OPTION DESCRIPTION

Various options may be factory or field equipped to the base unit. These options are listed in the tables and described in the following subparagraphs.

Skins Kit

The top cover is designed to allow for different mounting arrangements on high roof radius or low roof radius configurations.

Refrigeration Kit

The unit may be fitted with a single or dual loop refrigeration system

Electrical Kit

The unit may be fitted with 12 or 24 volt fan motors.

Frame Kit

The condenser may be fitted with one of two different base assemblies. The assemblies differ dependent on single or dual loop refrigerant system configuration.

OPTION LEGEND CR430

Skins Kit CR430, 4001 & 4002 Series	
1	Top Cover - Radius 4.6M
2	Top Cover - Radius 7.8M
3	Top Cover - Radius 2.7M
Chassis (Coil) Kit CR430, 4001 & 4002 Series	
1	Dual Loop
2	Single Loop
Refrigeration Piping Kit CR430, 4001 & 4002 Series	
1	Dual Loop
2	Single Loop
3	Dual Loop (Less Filter Driers)
Fan & Motor Kit CR430, 4001 & 4002 Series	
1	3 Fan 12 VDC W/PM Motors
2	2 Fan 12 VDC W/PM Motors
3	3 Fan 24 VDC W/PM Motors
Electrical Kit CR430, 4001 & 4002 Series	
1	Single Loop 3 Fan, W/P
2	Dual Loop 3 Fan, W/P
3	Dual Loop 2 Fan, W/P
4	Single Loop, 3 Fan, 24 vdc,W/P, Circuit Protect
5	Single Loop, 2 Fan, 12 vdc,Molex, Circuit Protect
6	Single Loop, 3 Fan, 12 vdc,Molex, Circuit Protect
7	Dual Loop, 2 Fan, 12 vdc,Molex, Circuit Protect
8	Dual Loop, 3 Fan, 12 vdc,Molex, Circuit Protect
9	Dual Loop, 2 Fan, 24 vdc,Molex, Circuit Protect
10	Dual Loop, 3 Fan, 24 vdc,Molex, Circuit Protect

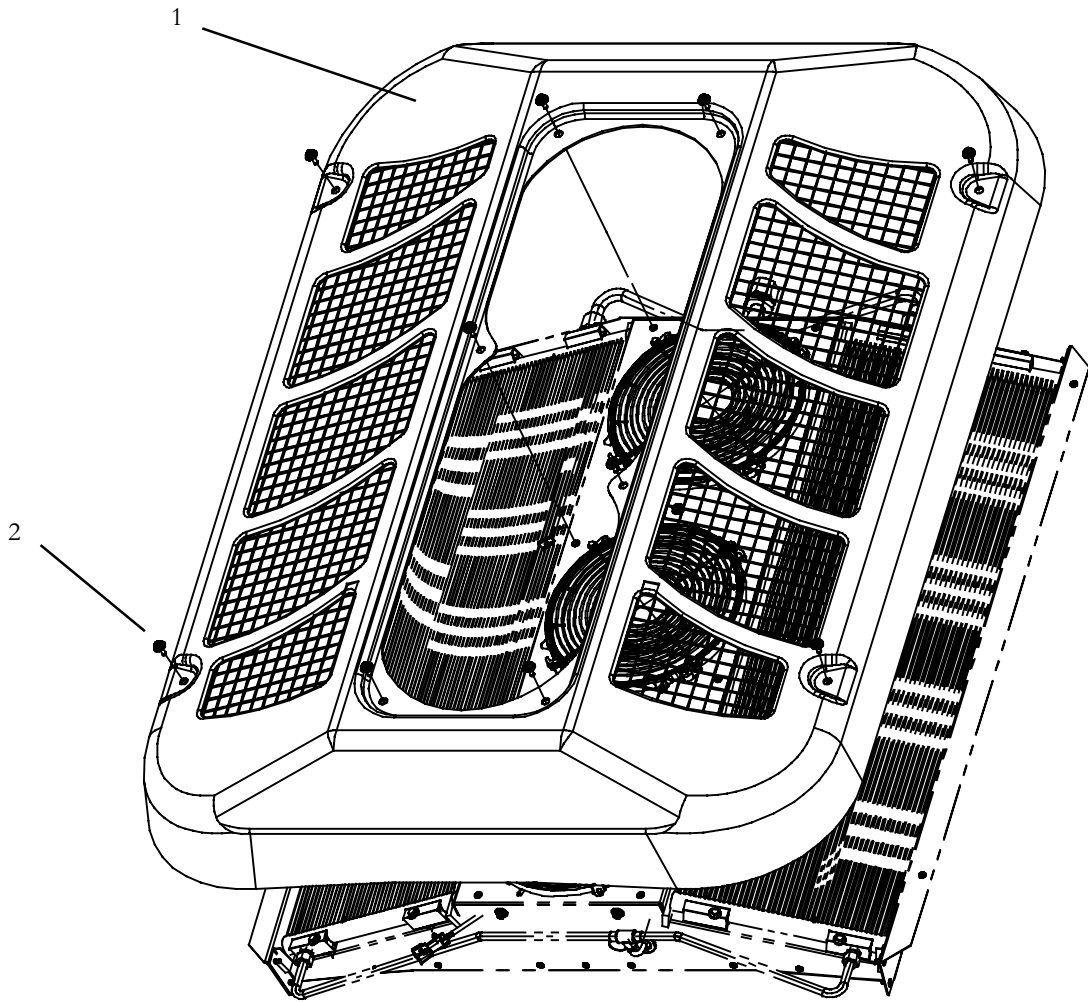
OPTION TABLE CR430 - Single Circuit

MODEL CR430 Y74 -43001-	Cover Kit (See Section 2.8.1)	Chassis Kit (See Section 2.8.2)	Piping Kit (See Section 2.8.3)	Fan & Motor Kit (See Section 2.8.4)	Electrical Kit (See Section 2.8.5)
-00	1	2	2	3	1
-01	2	2	2	3	1
-02	1	2	2	1	6
-03	2	2	2	1	6
-04	3	2	2	3	1
-05	1	2	2	1	1

OPTION TABLE CR430 - Dual Circuit

MODEL CR430 Y74 -43002-	Cover Kit (See Section 2.8.1)	Chassis Kit (See Section 2.8.2)	Piping Kit (See Section 2.8.3)	Fan & Motor Kit (See Section 2.8.4)	Electrical Kit (See Section 2.8.5)
-00	1	1	1	2	7
-01	2	1	1	1	7
-02	1	1	1	2	8
-03	2	1	1	1	8
-04	1	1	3	2	7
-05	2	1	3	2	7
-06	1	1	3	1	8
-07	2	1	3	1	8
-08	3	1	1	2	7
-09	3	1	1	1	8
-10	1	1	1	1	8
-11	1	1	1	1	8
-12	1	1	1	2	7
-13	1	1	1	2	7
-14	1	1	1	4	7
-15	2	1	1	4	7
-16	1	1	1	3	8
-17	2	1	1	3	8

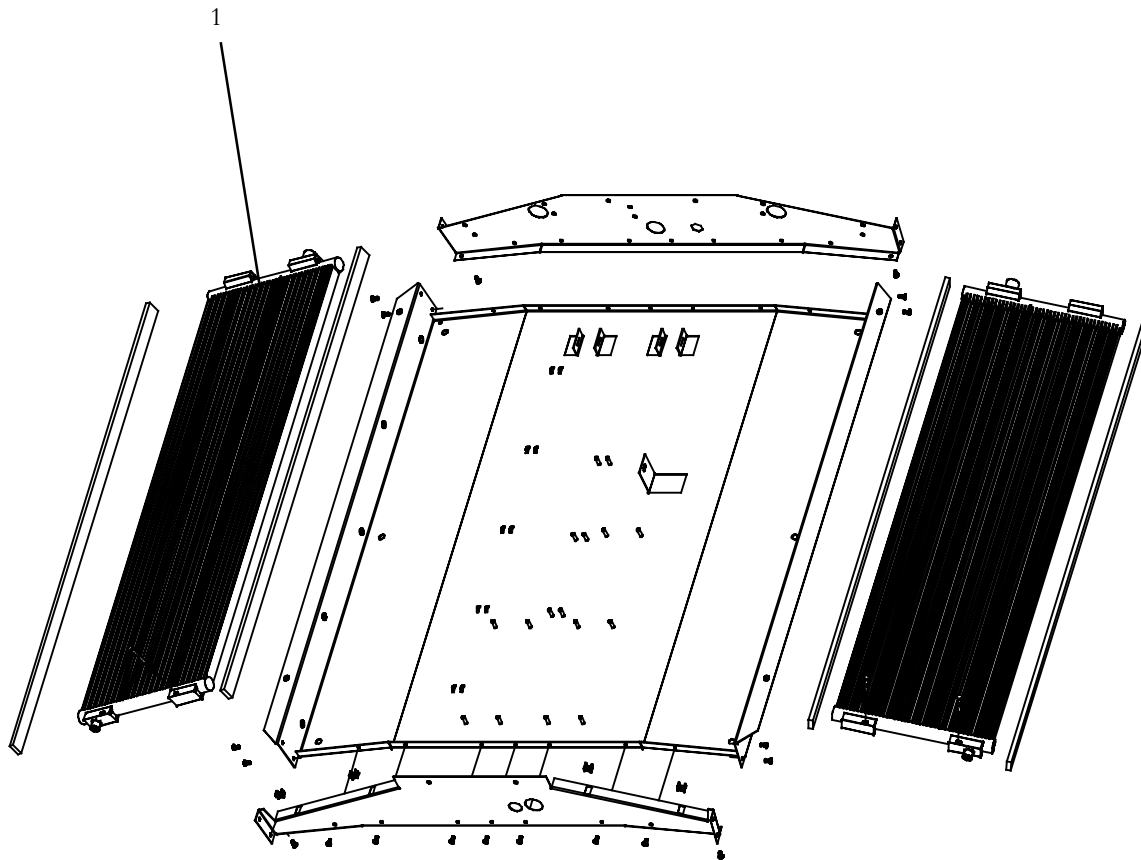
2.8.1 CONDENSER SKINS (COVERS), CR430- OPTIONS 1 & 2 & 3



REF: Y19-43001-00 , -01 & -03

Item	Part Number	Description	Qty
1	Y28-00037-00	Cover, CR430 Radius, 4.6M- Option 1	1
	Y28-00037-01	Cover, CR430 Radius, 4.6M- Option 2	1
	Y28-00037-02	Cover, CR430 Radius, 2.7M- Option 3	1
2	NSI	Screw, Hex HD SEMS, (Metric) M6 - 1.0 x 20 MM (ALL)	10

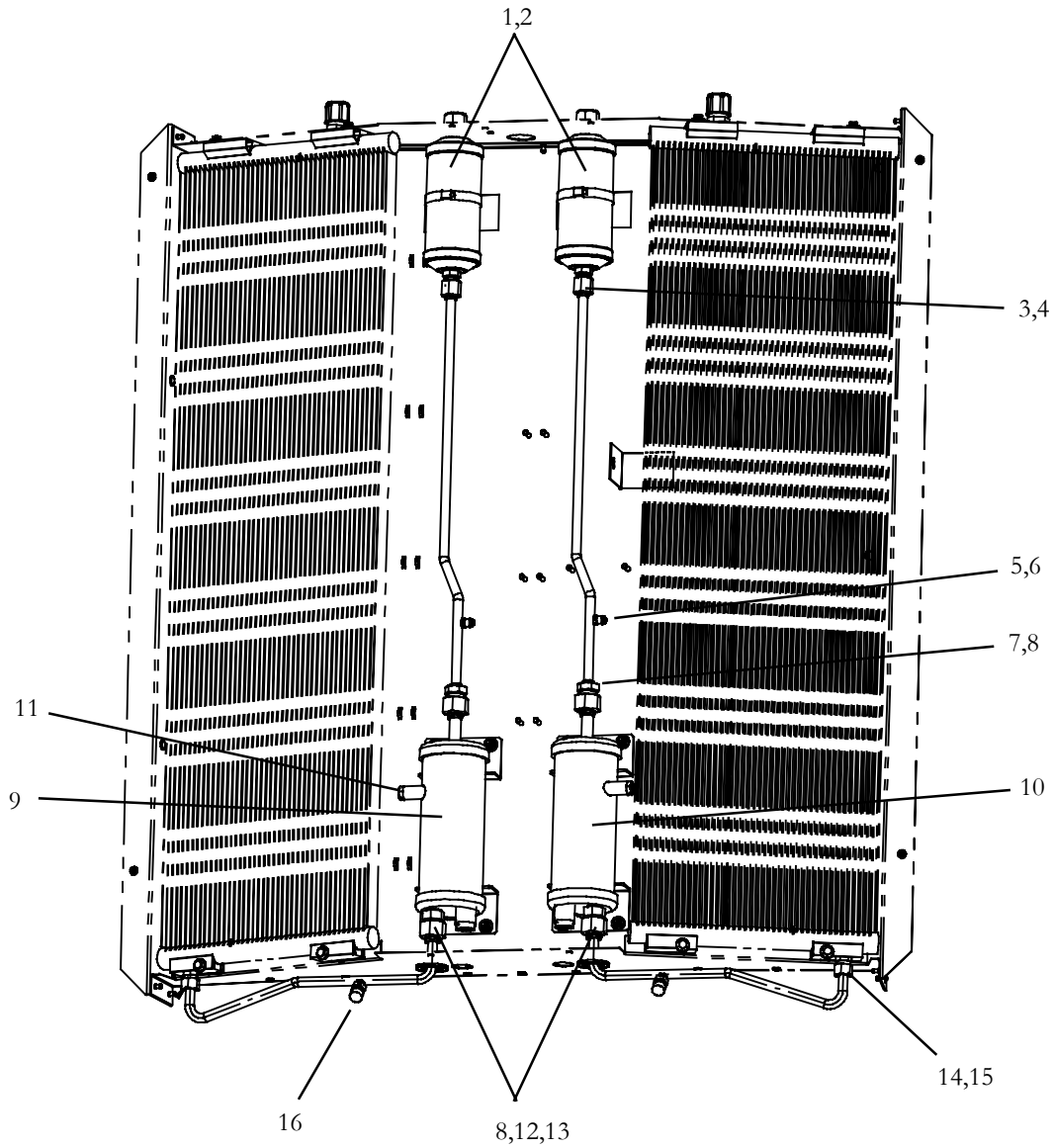
2.8.2 CHASSIS Kit (Coils), CR430- OPTIONS 1 & 2



REF: Y19-43002-00 & 01

Item	Part Number	Description	Qty
1	Y21-00004-01	Coil ,Condenser, MCHX - Options 1 & 2	2

2.8.3 REFRIGERATION PIPING KIT, CR430, DUAL LOOP- OPTION 1



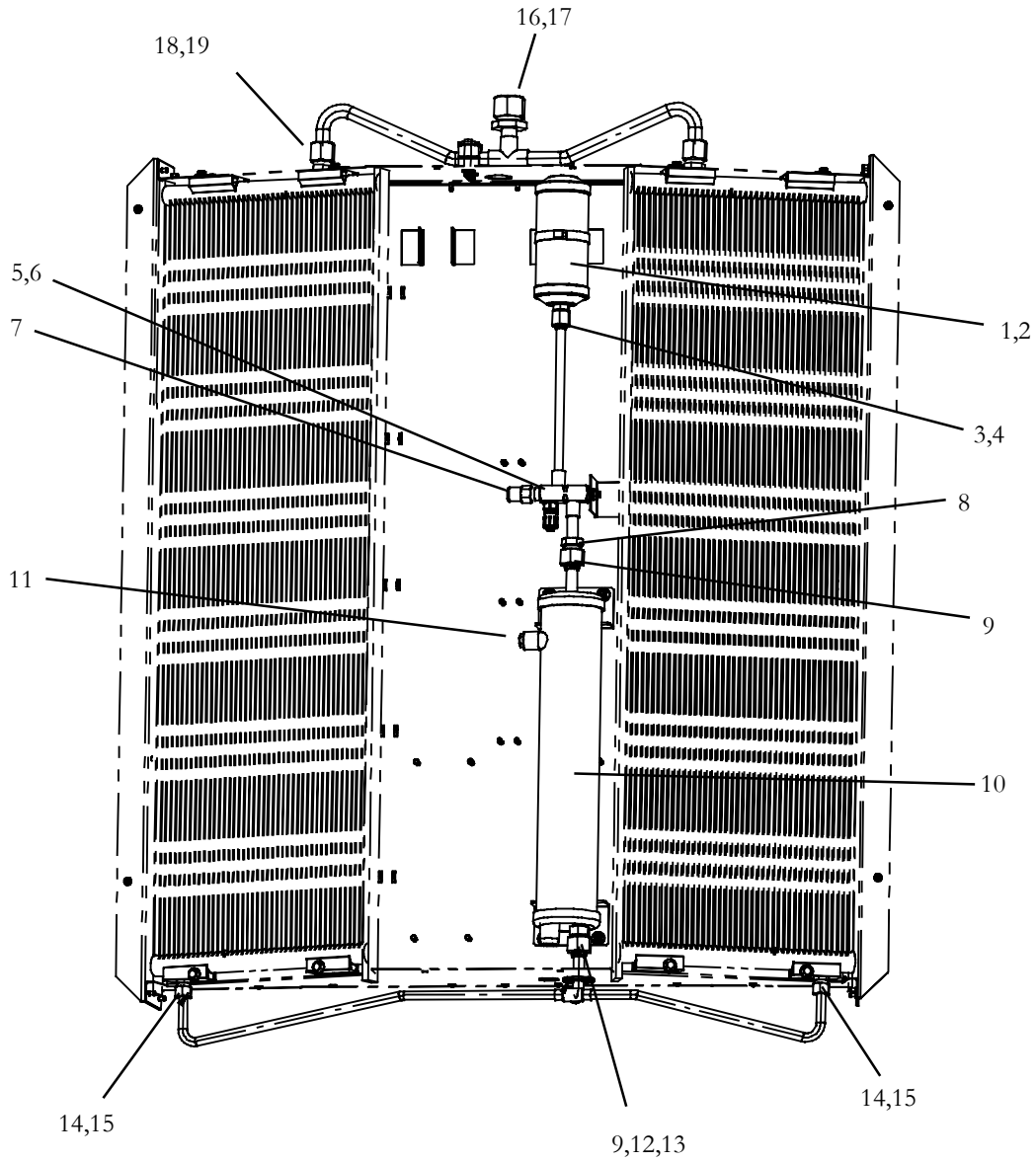
REF: Y19-43004-00

Item	Part Number	Description	Qty
1	14-00326-05	Filter Drier	2
2	42-00243-04	O-Ring, 0.489 ID x 0.070 THK	4
3	40-60008-03	Shoulder, ORS #8 x 1/2" OD Tube	2
4	40-60009-03	Hex Nut, ORS #8 x 1/2" OD Tube	2
5	40-01124-00	Valve Body, Access Port	2
6	14-00351-00	Core, Schrader Valve	2
7	40-00491-09	Fitting, ORS Ref. Conn. 1" - 14	2
8	42-00243-03	O-Ring, 0.614 ID x 0.070 THK	4
9	Y26-00054-00	Receiver Tank	1
10	Y26-00054-01	Receiver Tank	1



2.8.3 REFRIGERATION PIPING KIT, CR430, DUAL LOOP- OPTION 1 (Continued)			
Item	Part Number	Description	Qty
11	14-01032-01	Fusible Plug	2
12	40-60008-04	Shoulder, ORS #10 x 5/8" OD Tube	2
13	40-60009-04	Hex Nut, ORS #10 x 5/8" OD Tube	2
14	40-62125-08	Adaptor Nut, Female Insert O-Ring	2
15	42-00243-12	O-Ring, 0.426 ID x 0.070 THK	2
16	40-60042-01	Coupling, M8, R134a	2

2.8.3 REFRIGERATION PIPING KIT, CR430 SINGLE LOOP- OPTION 2



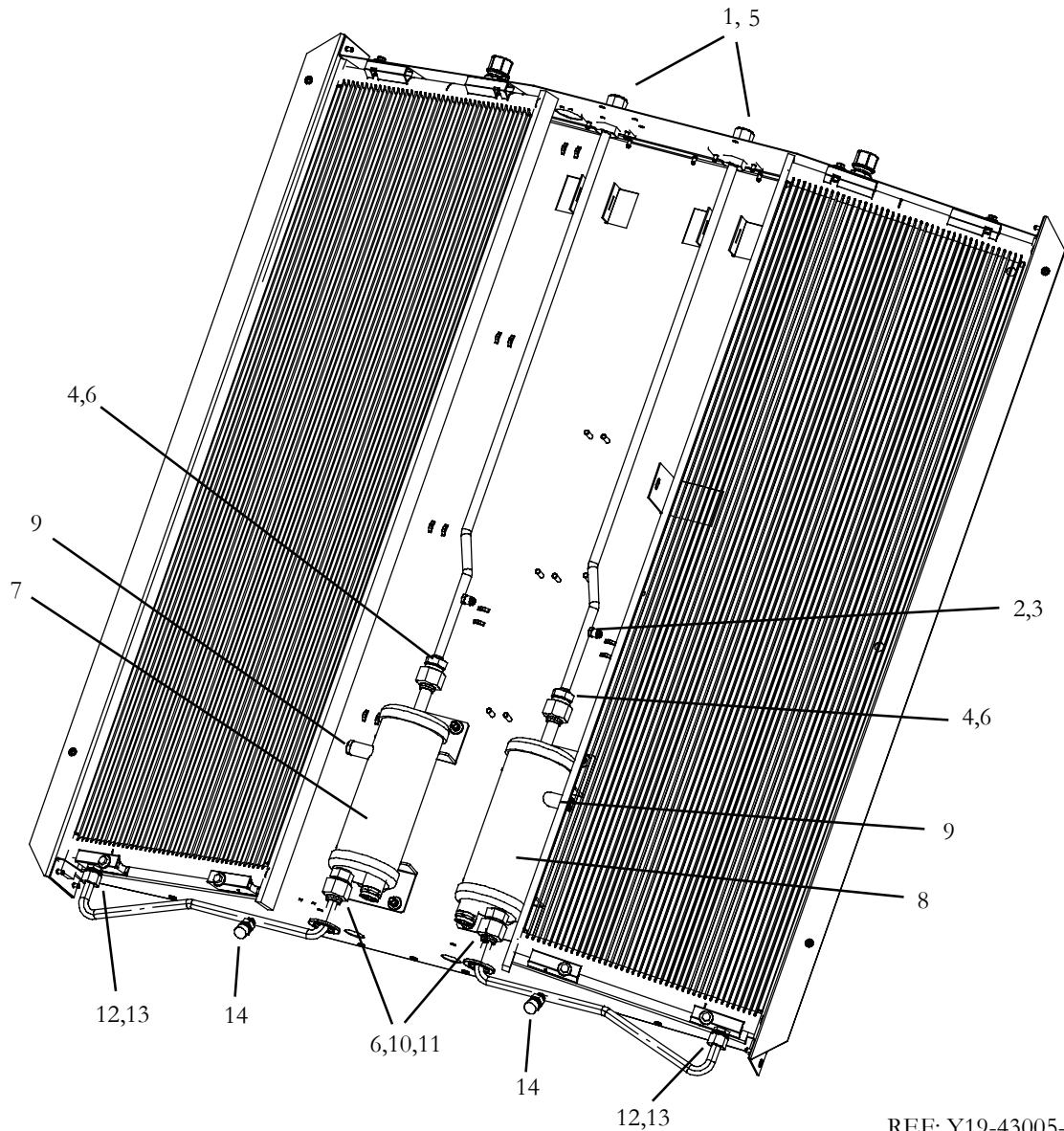
REF: Y19-43005-00

Item	Part Number	Description	Qty
1	14-00326-05	Filter Drier	1
2	42-00243-04	O-Ring, 0.489 ID x 0.070 THK	2
3	40-60008-03	Shoulder, ORS #8 x 1/2" OD Tube	2
4	40-60009-03	Hex Nut, ORS #8 x 1/2" OD Tube	2
5	40-00501-05	Valve,King	1
6	14-00351-00	... Core, Schrader Valve	2
7	40-00501-50	... Cap, King Valve, Service Part	2
8	40-00491-09	Fitting, ORS Ref. Conn. 1" - 14	1
9	42-00243-03	O-Ring, 0.614 ID x 0.070 THK	2
10	Y26-00054-02	Receiver Tank	1
11	14-01032-01	Fusible Plug	2



2.8.3 REFRIGERATION PIPING KIT, CR430 SINGLE LOOP- OPTION 2 (Continued)			
Item	Part Number	Description	Qty
12	40-60008-04	Shoulder, ORS #10 x 5/8" OD Tube	1
13	40-60009-04	Hex Nut, ORS #10 x 5/8" OD Tube	1
14	40-62125-08	Adaptor Nut, Female Insert O-Ring	2
15	42-00243-12	O-Ring, 0.426 ID x 0.070 THK	2
16	40-00491-00	Fitting, ORS Ref. Conn. , 1-7/16" - 12 x 7/8" ODF	1
17	42-00243-00	O-Ring, 0.921 ID x 0.139 THK	1
18	40-67014-03	Nut, Hex, ORP	2
19	42-00243-11	O-Ring, 0.739 ID x 0.070 THK	2

2.8.3 REFRIGERATION PIPING KIT, CR430 DUAL LOOP (Less Filter Driers) - OPTION 3



REF: Y19-43005-01

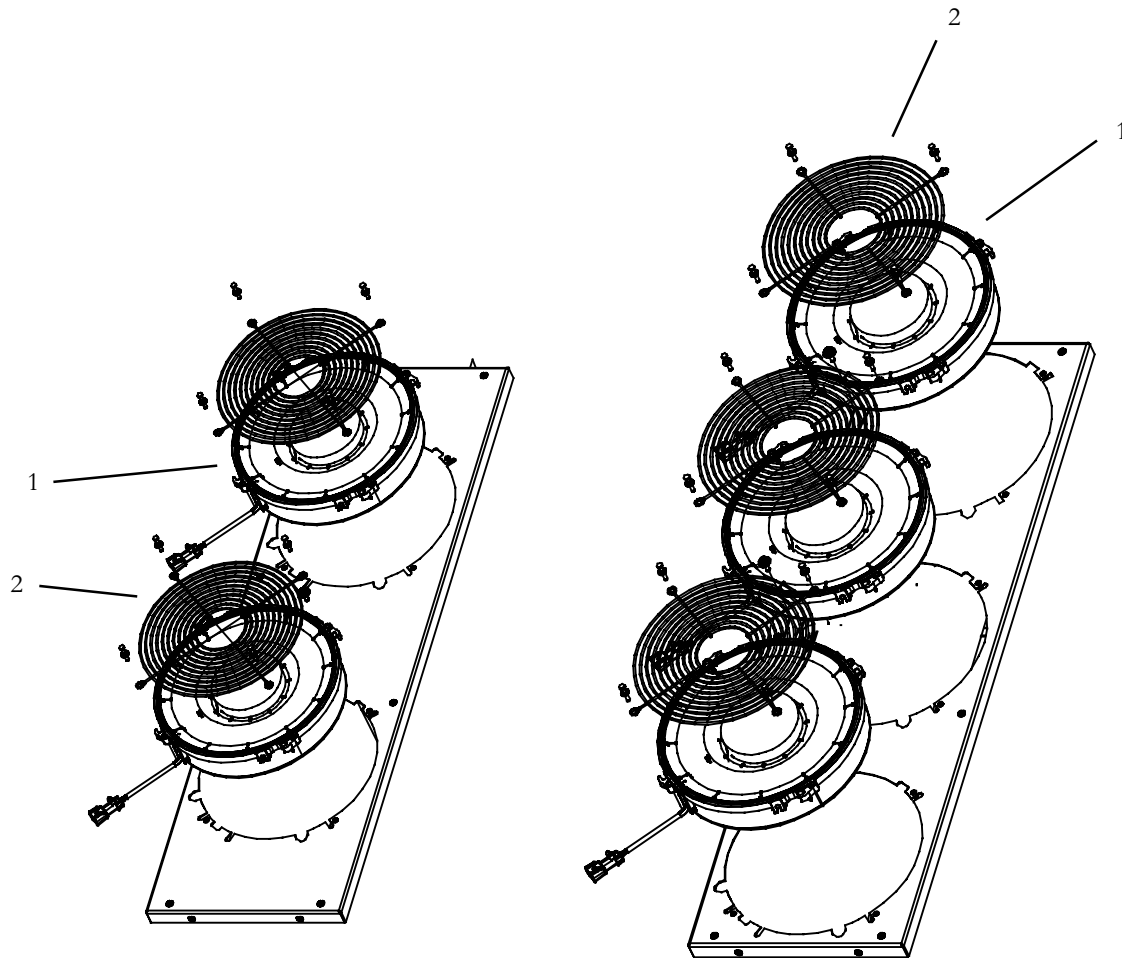
Item	Part Number	Description	Qty
1	42-00243-04	O-Ring, 0.489 ID x 0.070 THK	2
2	40-01124-00	Valve Body, Access Port	2
3	14-00351-00	Core, Schrader Valve	2
4	40-00491-09	Fitting, ORS Ref. Conn. 1" - 14	2
5	40-00491-10	Fitting, ORS Ref. Conn. 13/16" - 16	2
6	42-00243-03	O-Ring, 0.614 ID x 0.070 THK	4
7	Y26-00054-00	Receiver Tank	1
8	Y26-00054-01	Receiver Tank	1
9	14-01032-01	Fusible Plug	2



2.8.3 REFRIGERATION PIPING KIT, CR430 DUAL LOOP (Less Filter Driers) - OPTION 3 (Continued)			
10	40-60008-04	Shoulder, ORS #10 x 5/8" OD Tube	2
11	40-60009-04	Hex Nut, ORS #10 x 5/8" OD Tube	2
12	40-62125-08	Adaptor Nut, Female Insert O-Ring	2
13	42-00243-12	O-Ring, 0.426 ID x 0.070 THK	2
14	40-60042-01	Coupling, M8, R134a	2



2.8.4 FAN & MOTOR KITS, CR430 OPTION 1, 2 & 3

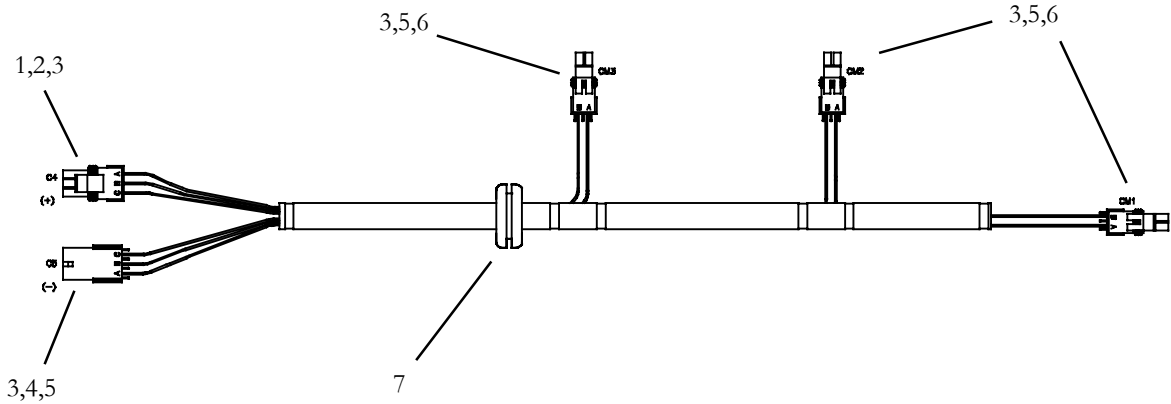


REF: Y19-43003-00, -01, -02 & -03

Item	Part Number	Description	Qty
1	54-00622-01	Fan & Motor Assembly, 12 VDC PM/Brushed- Option 1	3
	54-00622-01	Fan & Motor Assembly, 12 VDC PM/Brushed- Option 2	2
	54-00622-00	Fan & Motor Assembly, 24 VDC PM/Brushed- Option 3	3
	54-00622-00	Fan & Motor Assembly, 24 VDC PM/Brushed- Option 4	2
2	73-67002-00	Grille, Condenser Fan- All Models	A/R

NOTE: Complete Wire Harnesses are Non-Stock Items. Replace Components are Listed.

2.8.5 ELECTRICAL KIT, CR430 SINGLE LOOP 3 Fan- Option 1

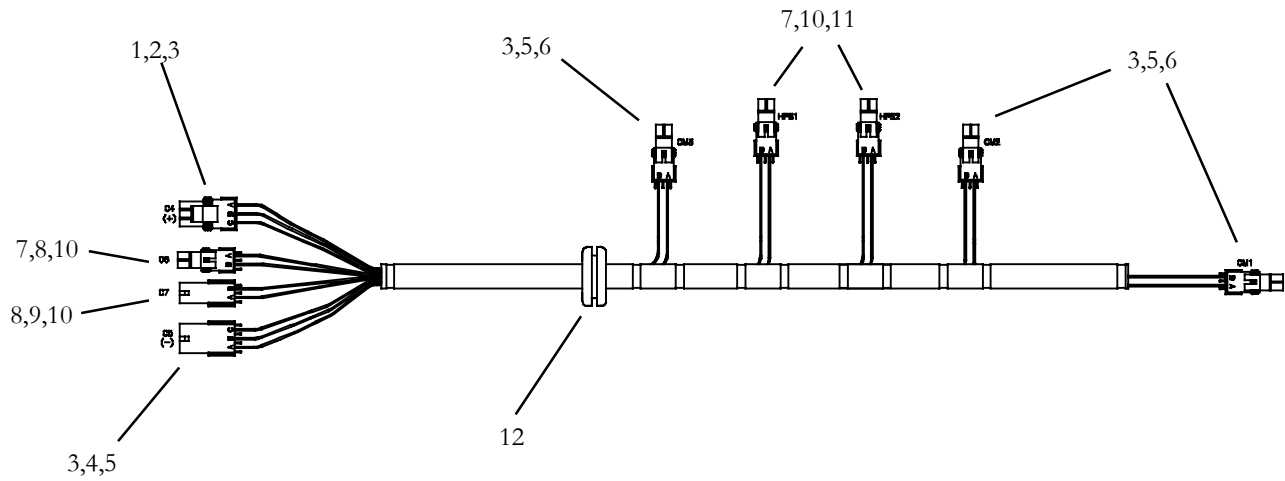


REF: Y19-43006-00

Item	Part Number	Description	Qty
1	22-01585-05	Connector, 3 Position WP (C4)	1
2	22-02393-00	Terminal, Male	3
3	22-02394-00	Seal, Cable	12
4	22-02392-04	Connector, 3 Position WP (C5)	1
5	22-01566-00	Terminal, Female	9
6	22-01585-00	Connector, 2 Position WP (CM1,2 &3)	3
7	58-00065-52	Grommet	1

NOTE: Complete Wire Harnesses are Non-Stock Items. Replace Components are Listed.

2.8.5 ELECTRICAL KIT, CR430 DUAL LOOP 3 Fan- Option 2

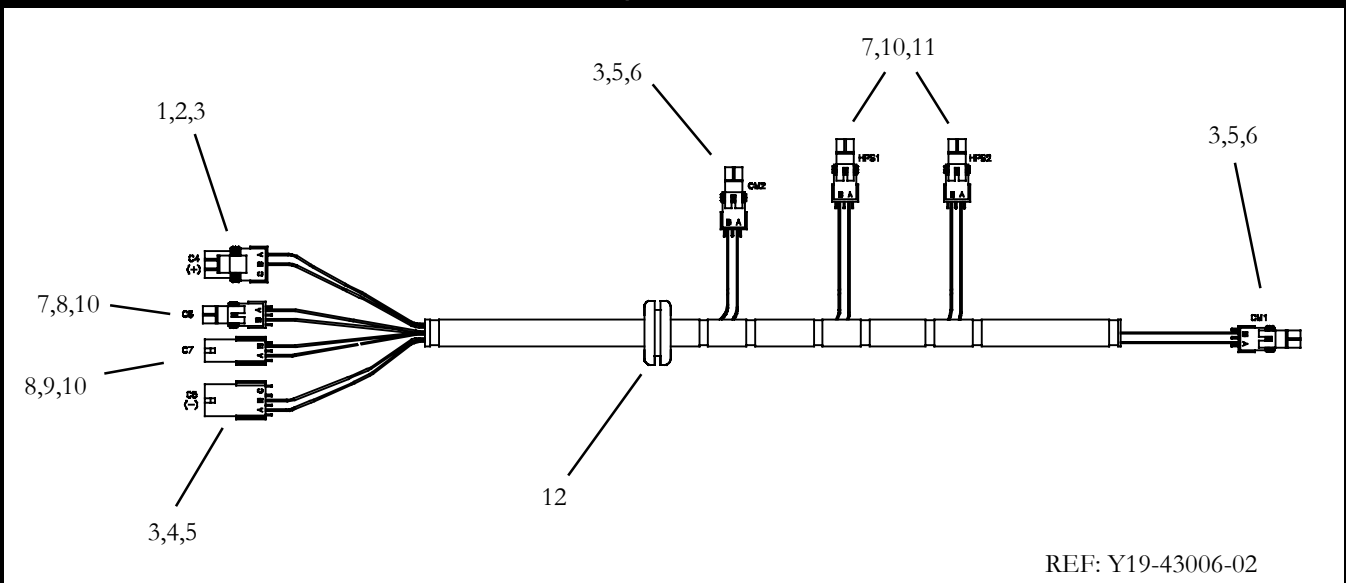


REF: Y19-43006-01

Item	Part Number	Description	Qty
1	22-01585-05	Connector, 3 Position WP (C4)	1
2	22-02393-00	Terminal, Male, 14-16 AWG	3
3	22-02394-00	Seal, Cable	12
4	22-02392-04	Connector, 3 Position WP (C5)	1
5	22-01566-00	Terminal, Female, 14-16 AWG	9
6	22-01585-00	Connector, 2 Position WP (CM1,2 &3)	3
7	22-01585-02	Connector, 2 Position WP (C6, HPS1 & HPS2)	3
8	22-02393-01	Terminal, Male, 18 AWG	4
9	22-02392-01	Connector, 2 Position WP (C7)	1
10	22-02394-02	Seal, Cable	8
11	22-01566-01	Terminal, Female, 18 AWG	4
12	58-00065-52	Grommet	1

NOTE: Complete Wire Harnesses are Non-Stock Items. Replace Components are Listed.

2.8.5 ELECTRICAL KIT, CR430 DUAL LOOP 2 Fan- Option 3

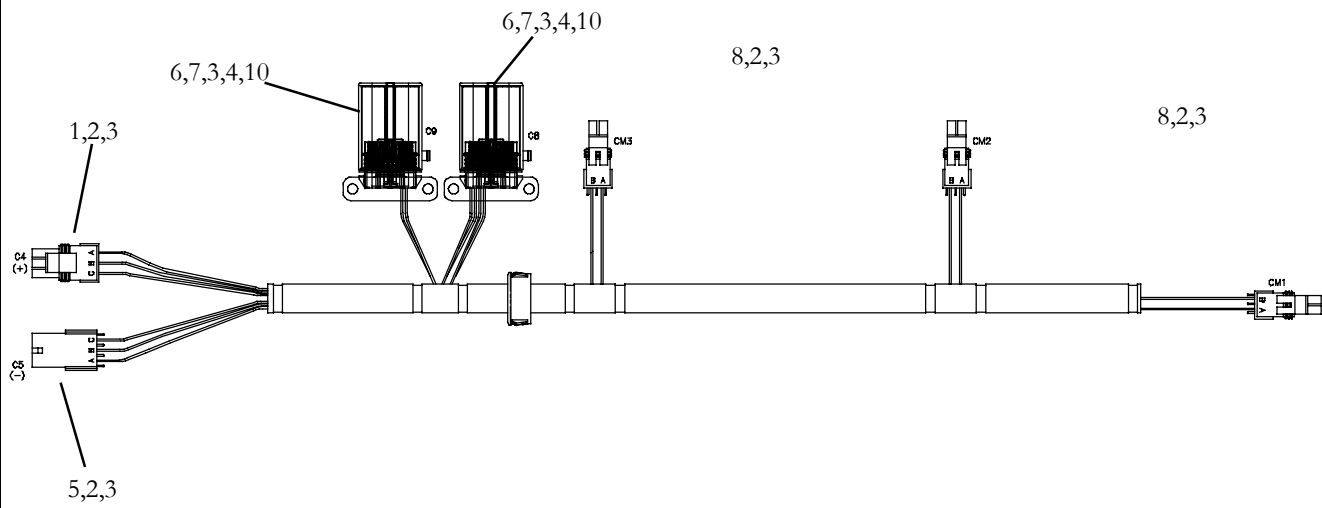


REF: Y19-43006-02

Item	Part Number	Description	Qty
1	22-01585-05	Connector, 3 Position WP (C4)	1
2	22-02393-00	Terminal, Male, 14-16 AWG	2
3	22-02394-00	Seal, Cable	10
4	22-02392-04	Connector, 3 Position WP (C5)	1
5	22-01566-00	Terminal, Female, 14-16 AWG	6
6	22-01585-00	Connector, 2 Position WP (CM1,2)	2
7	22-01585-02	Connector, 2 Position WP (C6, HPS1 & HPS2)	3
8	22-02393-01	Terminal, Male, 18 AWG	4
9	22-02392-01	Connector, 2 Position WP (C7)	1
10	22-02394-02	Seal, Cable	8
11	22-01566-01	Terminal, Female, 18 AWG	4
12	58-00065-52	Grommet	1

NOTE: Complete Wire Harnesses are Non-Stock Items. Replace Components are Listed.

2.8.5 ELECTRICAL KIT, CR430 SINGLE LOOP 3 Fan, 24VDC, Circuit Protection Weatherpac Connectors- Option 4

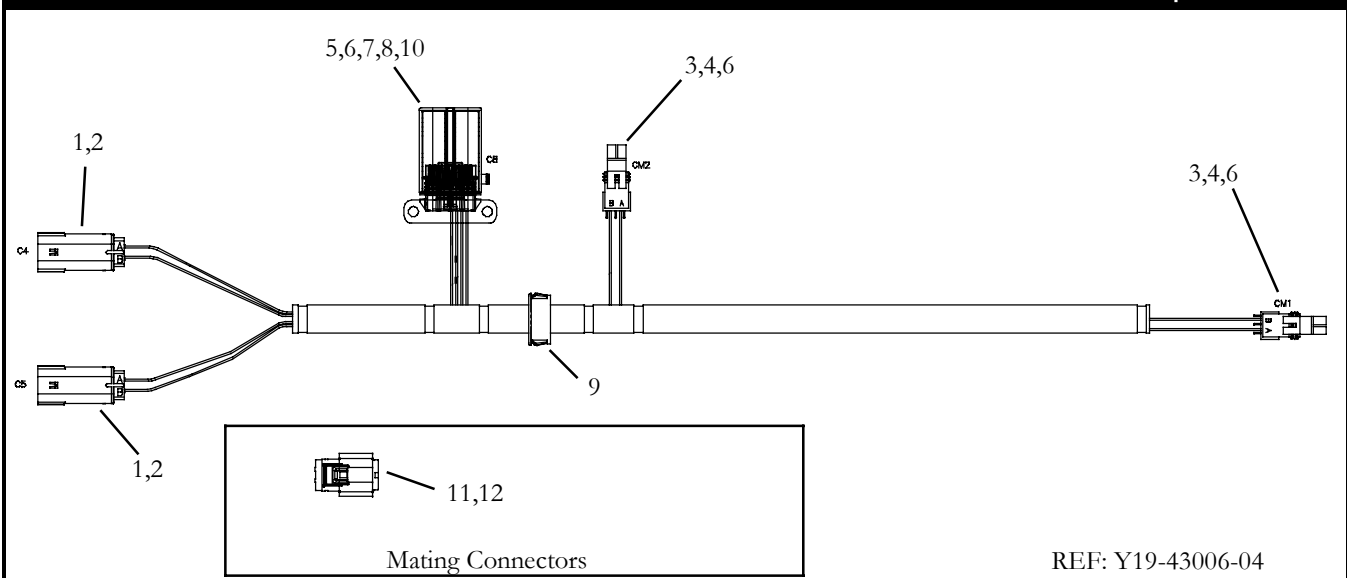


REF: Y19-43006-03

Item	Part Number	Description	Qty
1	22-01585-05	Connector, 3 Position WP (C4)	1
2	22-50078-58H	Terminal, Female, 12 AWG	12
3	22-02394-01	Seal, Cable	18
4	22-50078-55	Plug, 280 Series	A/R
5	22-02392-04	Connector, 3 Position WP (C5)	1
6	Y31-00008-00	Fuse Holder, 8 Cavity	2
7	22-50078-47E	Terminal, Female, 14-16 AWG	6
8	22-01585-00	Connector, 2 Position WP (CM1,2,3)	3
9	58-00661-07	Grommet	1
10	Y35-00013-04	Circuit Breaker, 15A	3
N.S.	Y30-13000-00	Synthetic Lubricant, Connectors	A/R

NOTE: Complete Wire Harnesses are Non-Stock Items. Replace Components are Listed.

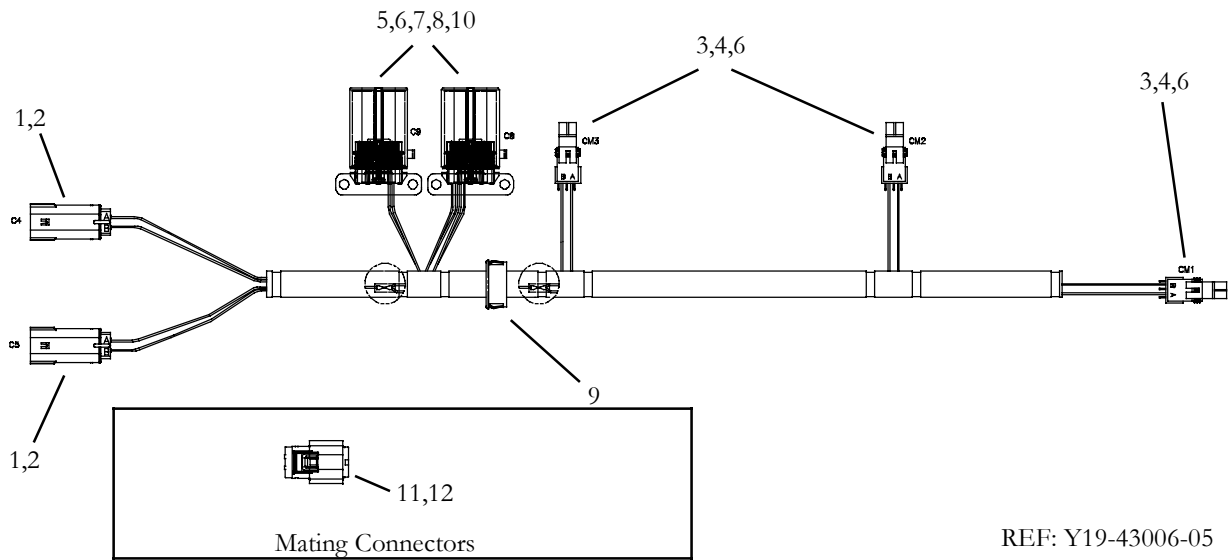
2.8.5 ELECTRICAL KIT, CR430 SINGLE LOOP 2 Fan, 12VDC, Circuit Protection Molex Connectors- Option 5



Item	Part Number	Description	Qty
1	22-50099-29	Connector, 2 Position Molex (C4 & C5)	2
2	22-50099-29A	Terminal, Male, Molex, 12 AWG	4
3	22-01585-00	Connector, 2 Position WP (CM1 & CM2)	2
4	22-50078-58H	Terminal, Female, 12 AWG	4
5	22-50078-47E	Terminal, Female, 14-16 AWG	4
6	22-02394-01	Seal, Cable	12
7	22-50078-55	Plug, 280 Series	A/R
8	Y31-00008-00	Fuse Holder, 8 Cavity	1
9	58-00661-07	Grommet	1
10	Y35-00013-05	Circuit Breaker, 20A	2
11	22-50099-28	Mating Connector, 2 Position Molex, 8 AWG (C4 & C5)	2
12	22-50099-28A	Terminal, Female, Molex, 8 AWG	4
N.S.	Y30-13000-00	Synthetic Lubricant, Connectors	A/R

NOTE: Complete Wire Harnesses are Non-Stock Items. Replace Components are Listed.

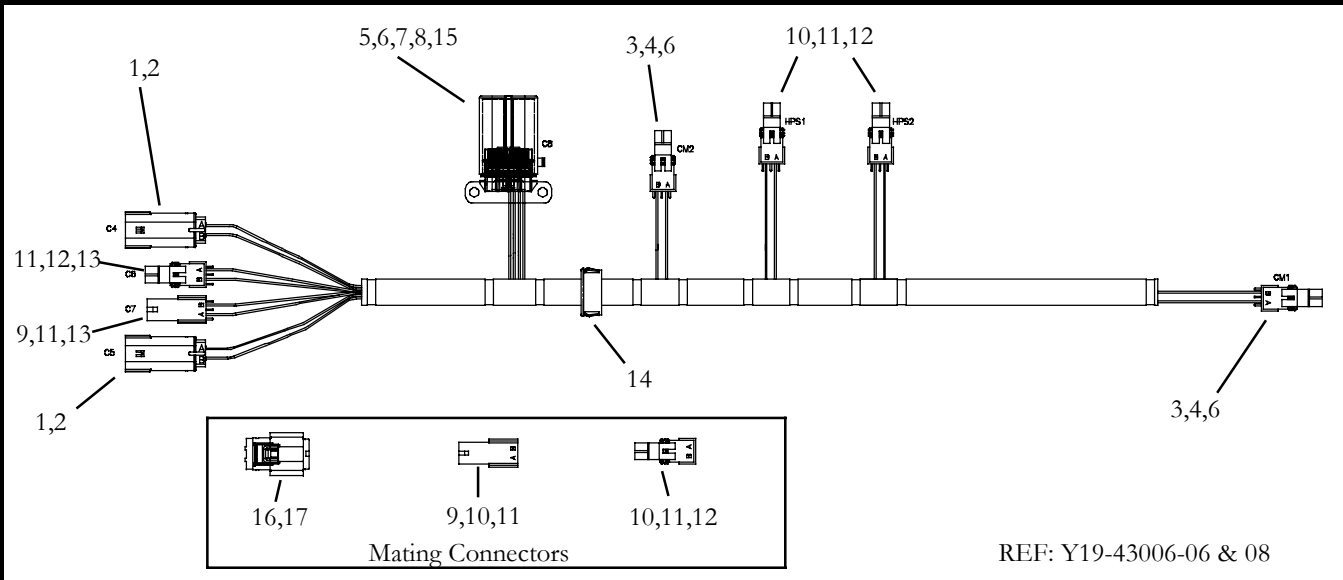
2.8.5 ELECTRICAL KIT, CR430 SINGLE LOOP 3 Fan, 12VDC, Circuit Protection Molex Connectors- Option 6



Item	Part Number	Description	Qty
1	22-50099-29	Connector, 2 Position Molex (C4 & C5)	2
2	22-50099-29A	Terminal, Male, Molex, 12 AWG	4
3	22-01585-00	Connector, 2 Position WP (CM1,CM2 & CM3)	3
4	22-50078-58H	Terminal, Female, 12 AWG	6
5	22-50078-47E	Terminal, Female, 14-16 AWG	6
6	22-02394-01	Seal, Cable	12
7	22-50078-55	Plug, 280 Series	A/R
8	Y31-00008-00	Fuse Holder, 8 Cavity	2
9	58-00661-07	Grommet	1
10	Y35-00013-05	Circuit Breaker, 20A	3
11	22-50099-28	Mating Connector, 2 Position Molex, 8 AWG (C4 & C5)	2
12	22-50099-28A	Terminal, Female, Molex, 8 AWG	4
N.S.	Y30-13000-00	Synthetic Lubricant, Connectors	A/R

NOTE: Complete Wire Harnesses are Non-Stock Items. Replace Components are Listed.

**2.8.5 ELECTRICAL KIT, CR430 DUAL LOOP 2 Fan, 24 & 12VDC
Circuit Protect, Press. Switches, Molex Connectors- Option 7**

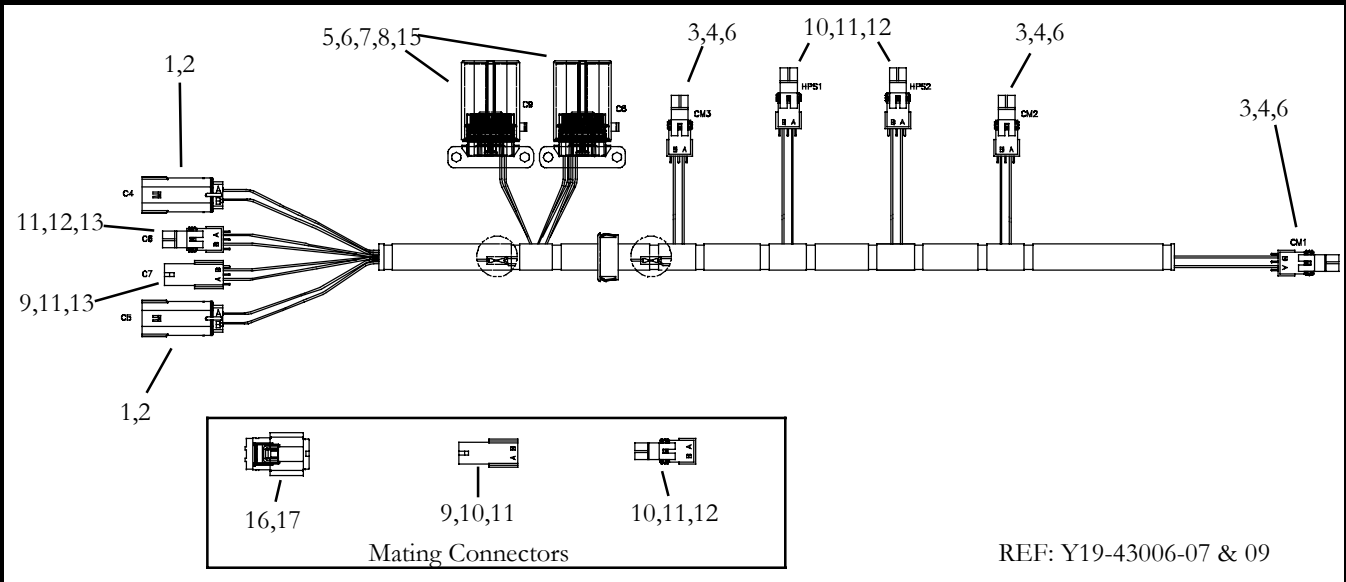


Item	Part Number	Description	Qty
1	22-50099-29	Connector, 2 Position Molex (C4 & C5)	2
2	22-50099-29A	Terminal, Male, Molex, 12 AWG	4
3	22-01585-00	Connector, 2 Position WP (CM1 & CM2)	2
4	22-50078-58H	Terminal, Female, 12 AWG	6
5	22-50078-47E	Terminal, Female, 12 AWG	6
6	22-02394-01	Seal, Cable	8
7	22-50078-55	Plug, 280 Series	A/R
8	Y31-00008-00	Fuse Holder, 8 Cavity	2
9	22-02392-01	Connector, 2 Position Female, WP	2
10	22-01566-01	Terminal, Female, 18 AWG	8
11	22-02394-02	Seal, Cable	8
12	22-01585-02	Connector, 2 Position Male, WP	4
13	22-02393-01	Terminal, Male, 18 AWG	4
14	58-00661-07	Grommet	1
15	Y35-00013-05	Circuit Breaker, 20A (12 VDC Models)	2
	Y35-00013-04	Circuit Breaker, 15A (24 VDC Models)	2
16	22-50099-28	Mating Connector, 2 Position Molex, 8 AWG (C4 & C5)	2
17	22-50099-28A	Terminal, Female, Molex, 8 AWG	4
N.S.	Y30-13000-00	Synthetic Lubricant, Connectors	A/R



NOTE: Complete Wire Harnesses are Non-Stock Items. Replace Components are Listed.

**2.8.5 ELECTRICAL KIT, CR430 DUAL LOOP 3 Fan, 24 & 12VDC
Circuit Protect, Press. Switches, Molex Connectors- Option 8**



Item	Part Number	Description	Qty
1	22-50099-29	Connector, 2 Position Molex (C4 & C5)	2
2	22-50099-29A	Terminal, Male, Molex, 12 AWG	4
3	22-01585-00	Connector, 2 Position WP (CM1, CM2 & CM3)	3
4	22-50078-58H	Terminal, Female, 12 AWG	8
5	22-50078-47E	Terminal, Female, 12 AWG	6
6	22-02394-01	Seal, Cable	10
7	22-50078-55	Plug, 280 Series	A/R
8	Y31-00008-00	Fuse Holder, 8 Cavity	2
9	22-02392-01	Connector, 2 Position Female, WP	2
10	22-01566-01	Terminal, Female, 18 AWG	8
11	22-02394-02	Seal, Cable	8
12	22-01585-02	Connector, 2 Position Male, WP	4
13	22-02393-01	Terminal, Male, 18 AWG	4
14	58-00661-07	Grommet	1
15	Y35-00013-05	Circuit Breaker, 20A (12 VDC Models)	3
	Y35-00013-04	Circuit Breaker, 15A (24 VDC Models)	3
16	22-50099-28	Mating Connector, 2 Position Molex, 8 AWG (C4 & C5)	2
17	22-50099-28A	Terminal, Female, Molex, 8 AWG	4
N.S.	Y30-13000-00	Synthetic Lubricant, Connectors	A/R

SECTION 2.9 CONDENSER, 68KR4-101 SERIES

INTRODUCTION

The Mobile Climate Control model 68KR4 series condensers are of lightweight frame construction, designed to be installed on the vehicle roof.

CONFIGURATION IDENTIFICATION

Unit identification information is provided on a plate located inside the condenser. The plate provides the unit model number, the unit serial number and the unit parts identification number (PID). The model number identifies the overall unit configuration while the PID provides information on specific optional equipment and differences in detailed parts. This section provides a description of and a tabular listing of unit model numbers and PID numbers to assist the reader in identifying the equipment supplied and any required service parts.

OPTION DESCRIPTION

Various options may be factory or field equipped to the base unit. These options are listed in the tables and described in the following subparagraphs.

Skins Kit

The top cover is designed to allow for different mounting arrangements on high roof radius or low roof radius configurations.

Refrigeration Kit

The unit may be fitted with a single or dual loop refrigeration system

Electrical Kit

The unit may be fitted with 12 or 24 volt fan motors.

Frame Kit

The condenser may be fitted with one of two different base assemblies. The assemblies differ dependent on single or dual loop refrigerant system configuration.

OPTION LEGEND KR4

Skins Kit 68KR4-101 & 102 Series	
1	Top Cover - Small Radius for High Roof
2	Top Cover - Large Radius for Low Roof
Refrigeration Kit 68KR4-101 Series	
1	Dual Loop
2	Single Loop
3	Dual Loop - Less Filters & Valves
Refrigeration Kit 68KR4-102 Series	
4	Dual Loop
5	Single Loop
6	Dual Loop - Less Filters & Valves
Electrical Kit 68KR4-101 Series	
1	24 VDC W/PM Motors
2	12 VDC W/PM Motors
3	24 VDC W/PM Motors W/Fuse
4	12 VDC W/PM Motors W/Fuse
Electrical Kit 68KR4-102 Series	
5	24 VDC W/PM Motors W/Fuse
6	12 VDC W/PM Motors W/Fuse
Condenser Frame 68KR4-101 & 102 Series	
1	ALL

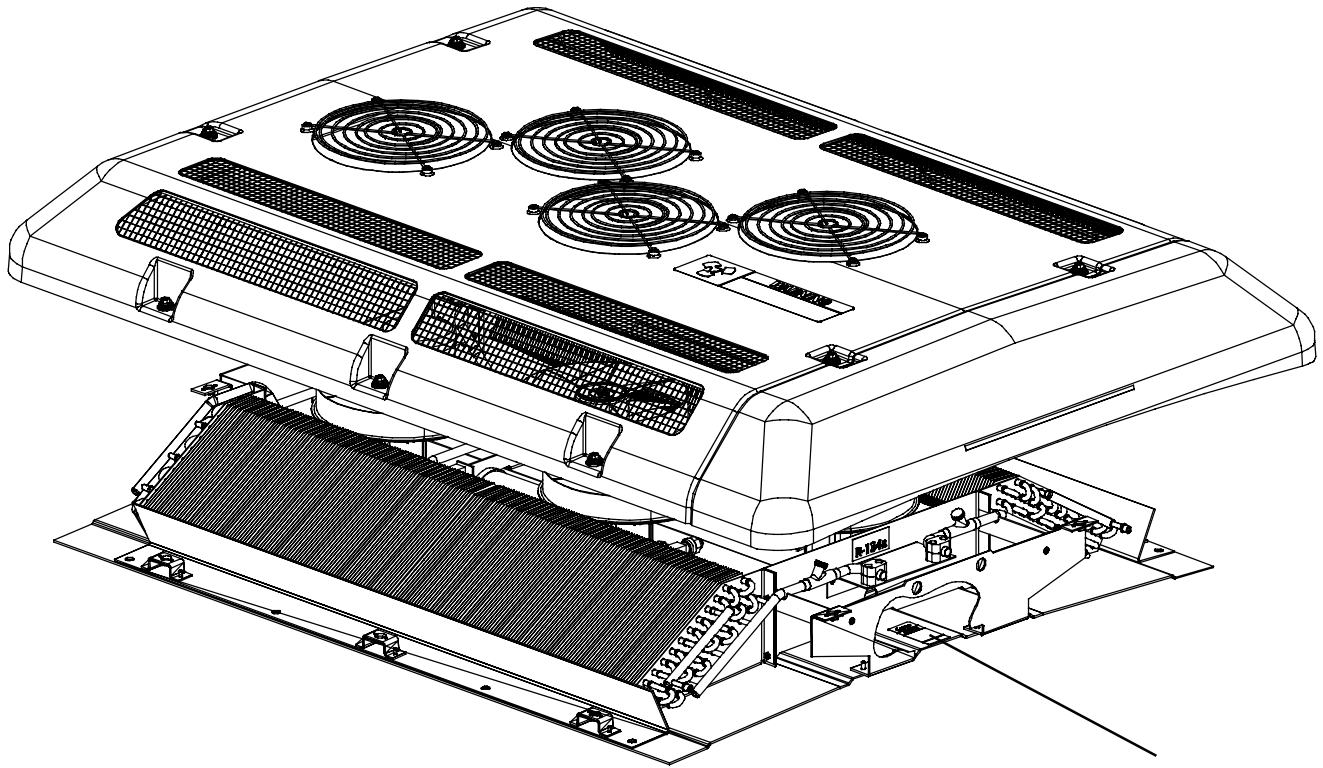


OPTION TABLE KR4

MODEL 68KR4	PID Condenser KR4C	Skins Kit (See Section 2.9.2)	Refrigeration Kit (See Section 2.9.3)	Electrical Kit (See Section 2.9.4)	Frame Kit (See Section 2.9.5)
-101	00030	1	1	3	1
-101-1	00031	2	1	1	1
-101-2	00032	1	1	4	1
-101-3	00033	2	1	2	1
-101-4	00034	1	2	3	1
-101-5	00035	2	2	1	1
-101-6	00036	1	2	2	1
-101-7	00037	2	2	2	1
-101-8	00038	1	3	4	1
-101-9	00039	N/A	1	4	1
-102	00040	1	4	5	1
-102-1	00041	2	4	5	1
-102-2	00042	1	4	6	1
-102-3	00043	2	4	6	1
-102-4	00044	1	5	5	1
-102-5	00045	2	5	5	1
-102-6	00046	2	4	6	1
-102-8	00048	1	6	6	1
-102-9	00049	N/A	4	6	1
-102-10	N/A	2	4	6	1



2.9.1 CONDENSER, 68KR4-101 & 68KR4-102 SERIES



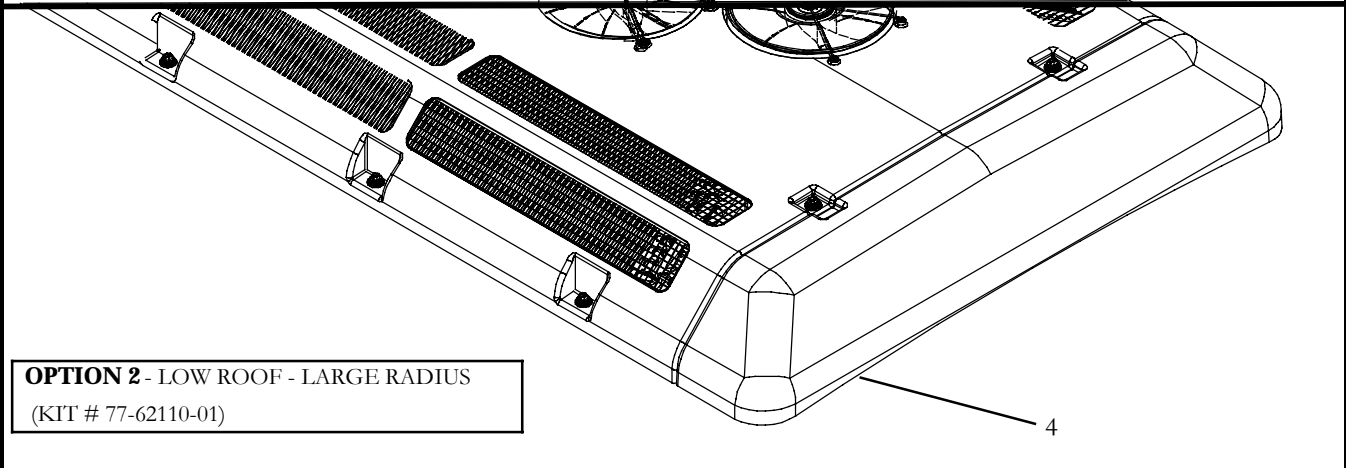
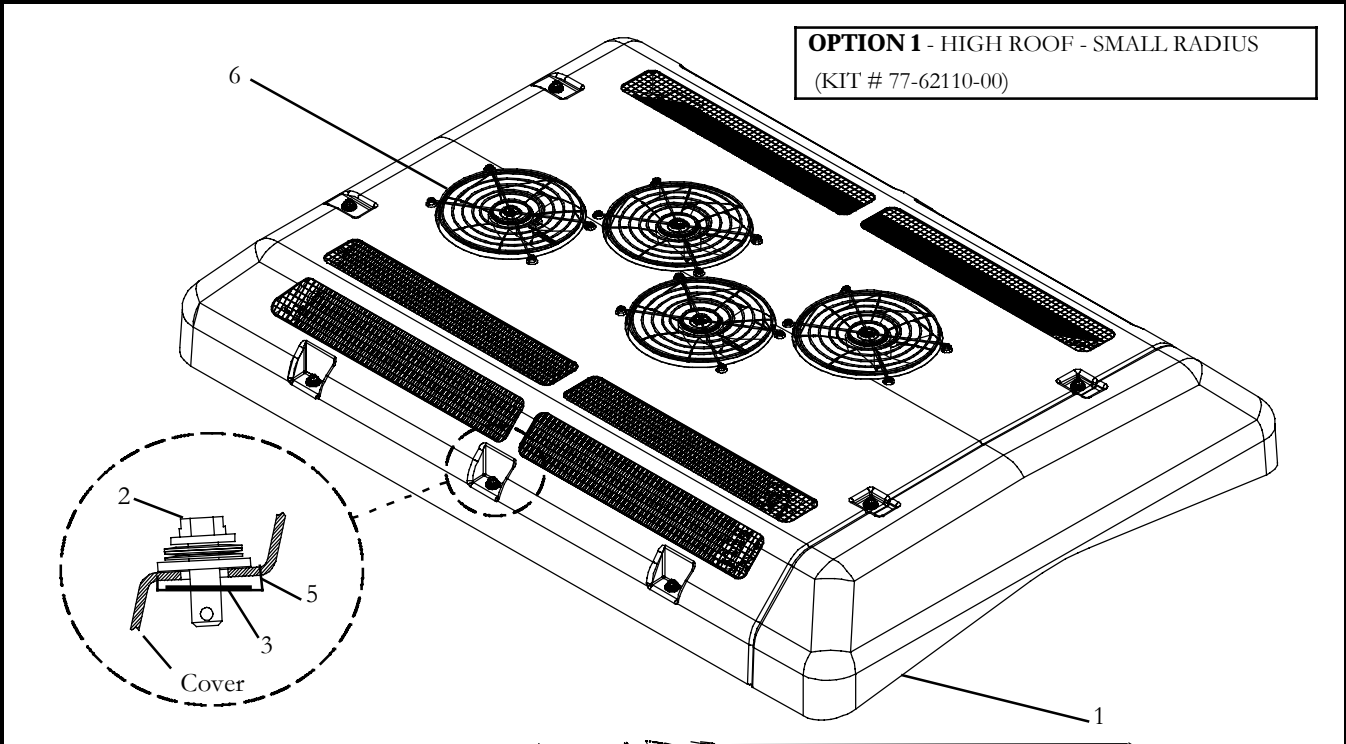
Reference Kit # 77-62111-XX

Used on ALL Models Except KR4-101-9 & KR4-102-9

PID
Serial/Model-
Number Plate

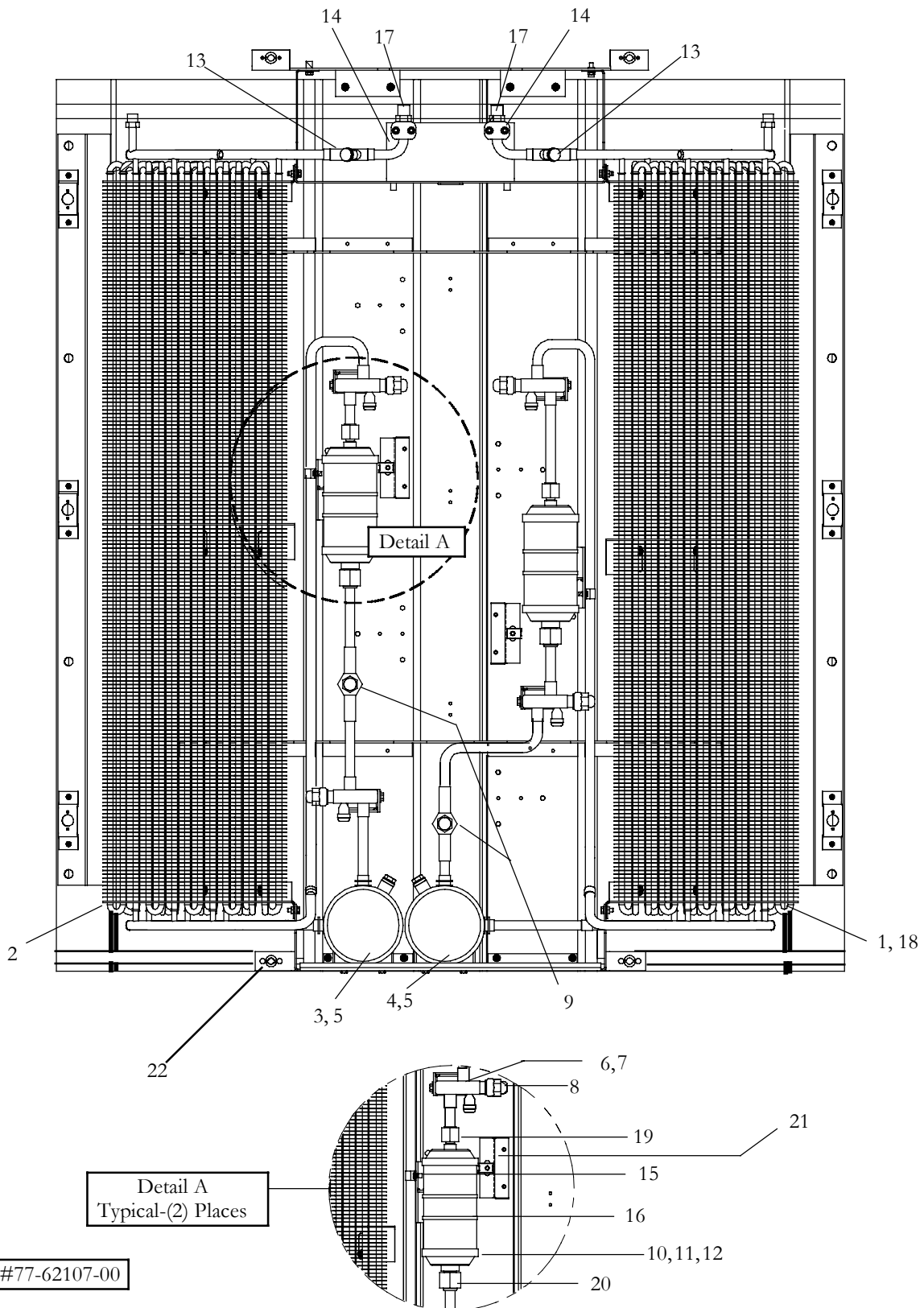


2.9.2 CONDENSER, 68KR4-101 & 68KR4-102 SERIES, SKINS KIT - OPTION 1 & 2



Item	Part Number	Description	Qty
OPTION 1			
1	58-62040-00	Cover, Top, Condenser, KR4, High Roof Radius, With End Cap	1
2	34-62015-00	Stud, Captive, 1/4 Turn Camloc	10
3	34-67025-00	Washer, Special, Retaining	10
OPTION 2			
4	58-62040-02	Cover, Top, Condenser, KR4, Low Roof Radius, With End Cap	1
2	34-62015-00	Stud, Captive, 1/4 Turn Camloc	10
3	34-67025-00	Washer, Special, Retaining	10
COMMON PARTS			
5	68-63648-00	Plate, Reinforcing, Cover	10
6	73-62003-00	Grill, Cover	4

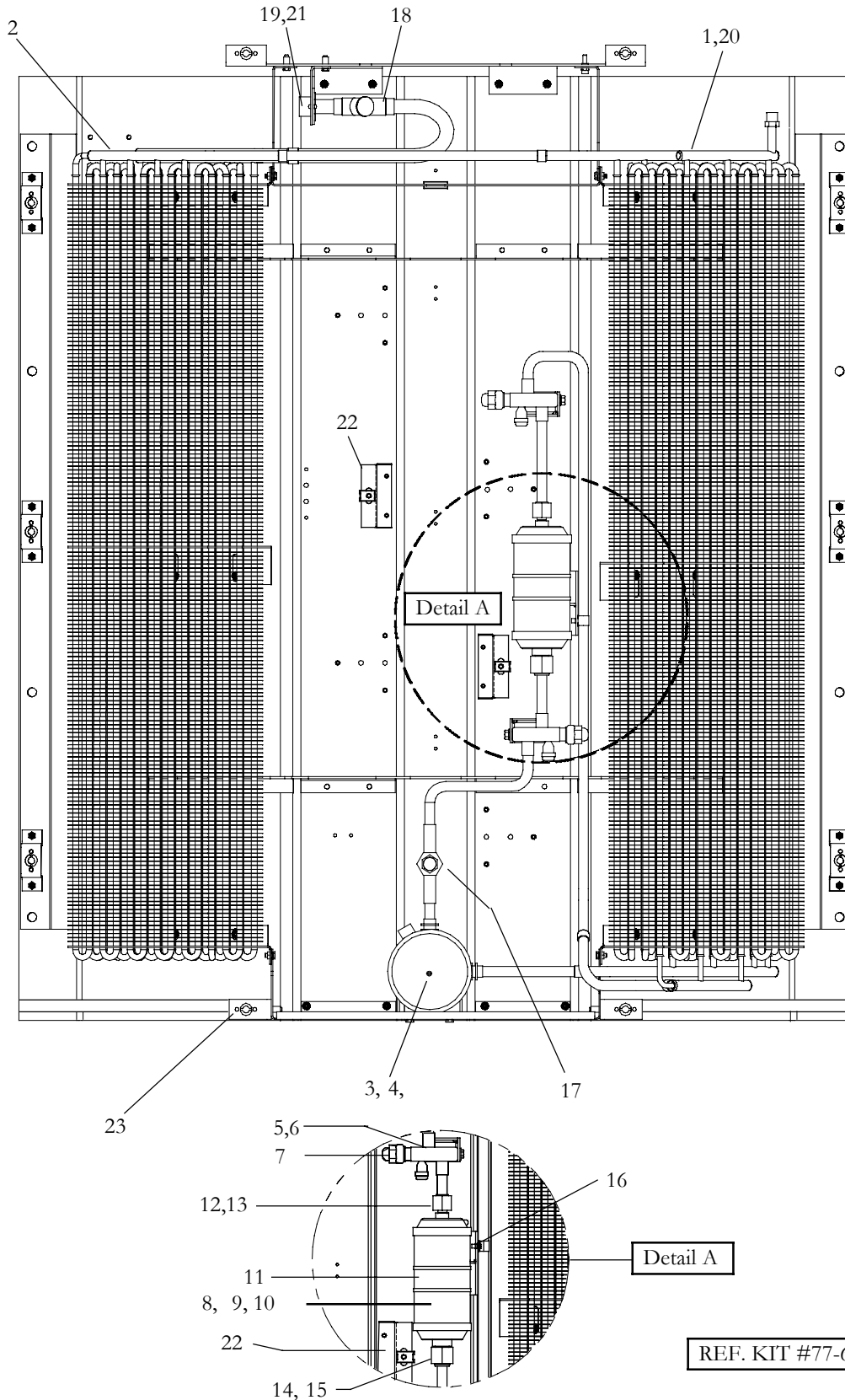
2.9.3 CONDENSER, 68KR4-101 SERIES, REFRIGERATION KIT, DUAL LOOP - OPTION 1



KIT #77-62107-00

2.9.3 CONDENSER, 68KR4-101 SERIES, REFRIGERANT KIT DUAL LOOP - OPTION 1 - Continued:			
Item	Part Number	Description	Qty
1	08-62038-00	Coil, Condenser, Dual Loop	1
2	08-62038-01	Coil, Condenser, Dual Loop	1
3	65-62003-00	Receiver Assembly, Inlet Right, 5 Inch O.D.	1
4	65-62003-01	Receiver Assembly, Inlet Left, 5 Inch O.D.	1
5	14-01032-01	Plug, Fusible, 3/8 MPT	2
6	40-00501-05	Valve, King, Brass, 5/8 ODF	4
7	14-00351-00	. . . Core, Schrader Valve	2
8	40-00501-50	. . . Cap, King Valve, Service Part	4
9	14-00026-04	Indicator, Liquid & Moisture, 5/8 ODF	2
10	14-00320-00	Filter Drier, 3/4 ORS Inlet X 5/8 Inch ORS Outlet - Includes:	2
11	42-00243-11O-Ring, .739 ID X .070 Thick	1
12	42-00243-03O-Ring, .614 ID X .070 Thick	1
13	14-00029-04	Valve, Check, 5/8 ODF	2
14	44-00285-81	Clamp, Tube, Saddle, 5/8 Inch (With Cover Plate)	2
15	NSI	Clamp, Tube, 0.625 Dia. Cushion	2
16	44-00045-20	Clamp, Hose, Worm Type (3.063 - 4.00 Inches)	4
17	40-62032-01	Nut, Swivel Fitting, Male Insert O-Ring, 7/8-14 X 5/8 ODF	2
18	AC801-414	Gasket, Foam, 3/8 X 1.00 Inch X 25 Foot Roll	1
19	40-00503-03	Collar, Tube - 5/8 ORS, Brass	2
20	40-00503-04	Collar, Tube - 5/8 ORS, Nickel Plated Steel	2
21	AC701-101	Nut, Speed, "J" Type, 1/4-20	2
22	34-62016-00	Plate, Locking	2

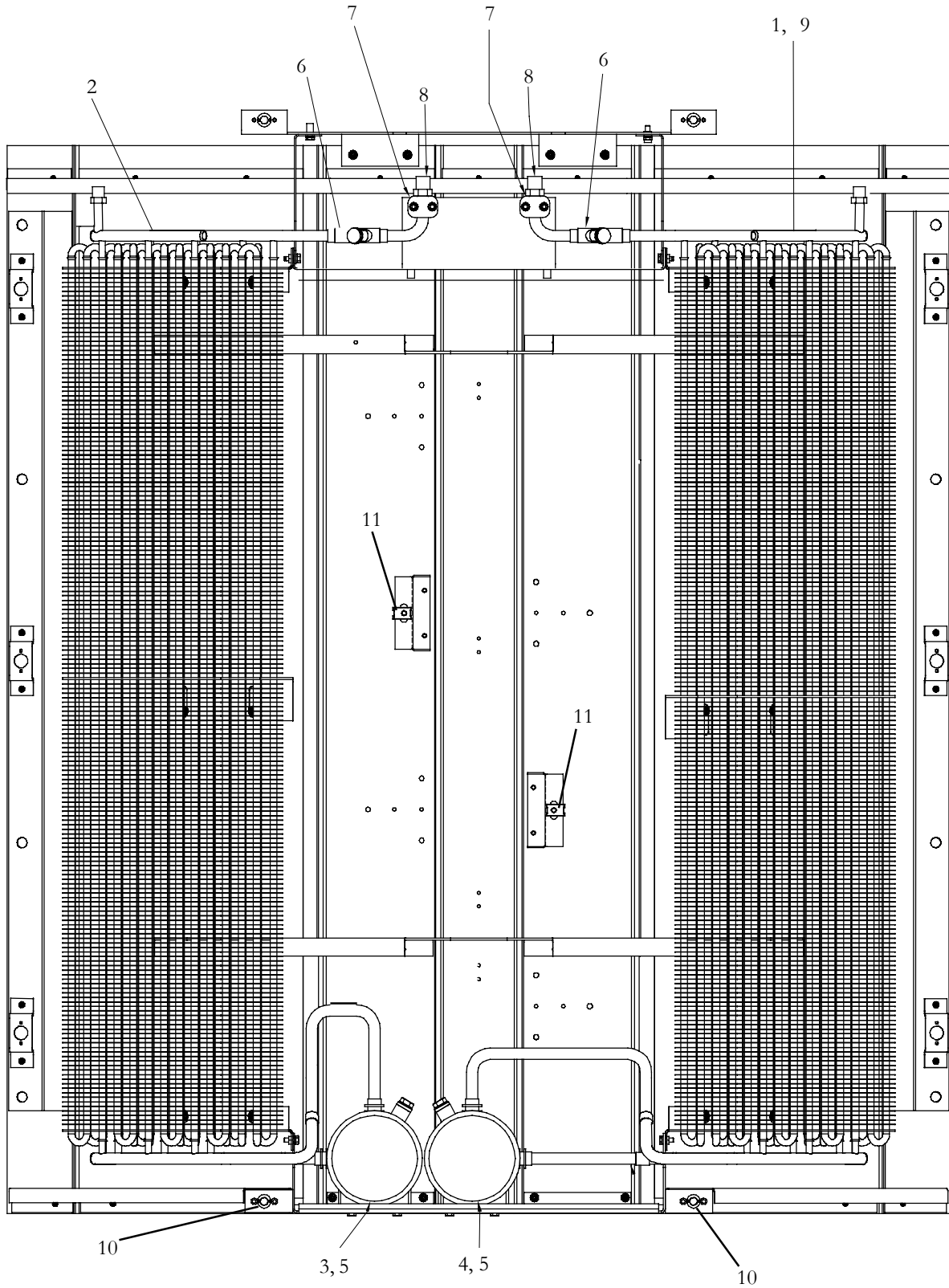
2.9.3 CONDENSER, 68KR4-101 SERIES, REFRIGERANT KIT, SINGLE LOOP - OPTION 2





2.9.3 CONDENSER, 68KR4-101 SERIES, REFRIGERANT KIT, SINGLE LOOP - OPTION 2 - Continued:			
Item	Part Number	Description	Qty
1	08-62046-00	Coil Assembly, Condenser, Right Side	1
2	08-62046-01	Coil Assembly, Condenser, Left Side	1
3	65-62003-01	Receiver Assembly, Inlet Left, 5 Inch OD	1
4	14-01032-01	Plug, Fusible, Safety, 3/8 NPTF	1
5	40-00501-05	Valve, King, Brass, 5/8 ODF	2
6	14-00351-00	. . . Core, Schrader Valve	2
7	40-00501-50	. . . Cap, King Valve, Service Part	2
8	14-00320-00	Filter Drier, 3/4 ORS Inlet X 5/8 ORS Outlet (41 Cu. In.) - Includes:	1
9	42-00243-11	...O-Ring, .739 ID X .070 Thick	1
10	42-00243-03	...O-Ring, .614 ID X .070 Thick	1
11	44-00045-20	Clamp, Hose, Worm Type, (3.063 - 4.00 Inches)	2
12	34-06121-04	Nut, Hex, ORS Braze (1-3/16-12 Threads) 12,13	1
13	40-00503-04	Collar, Tube, 5/8 ORS, Nickel Plated Steel	1
14	34-06121-03	Nut, Hex, ORS Braze (1-14 Threads)	1
15	40-00503-03	Collar, Tube - 5/8 ORS, Brass	1
16	NSI	Clamp, Tube, 0.625 Dia. Cushioned	1
17	14-00026-04	Indicator, Liquid & Moisture, 5/8 ODF	1
18	14-00029-09	Valve, Check, 7/8 ODF	1
19	40-00491-00	Fitting, ORS, 7/8 x 1 3/16-12, Brass	1
20	AC801-414	Gasket, Foam, .375 X 1.00 X 25 Foot Roll	1
21	34-06088-00	Nut, Hex, 1-7/16-12, Brass	1
22	AC701-101	Nut, Speed, 'J' Type, 1/4-20	2
23	34-62016-00	Plate, Locking	2

2.9.3 CONDENSER, 68KR4-101 SERIES, REFRIGERATION KIT, DUAL LOOP - OPTION 3

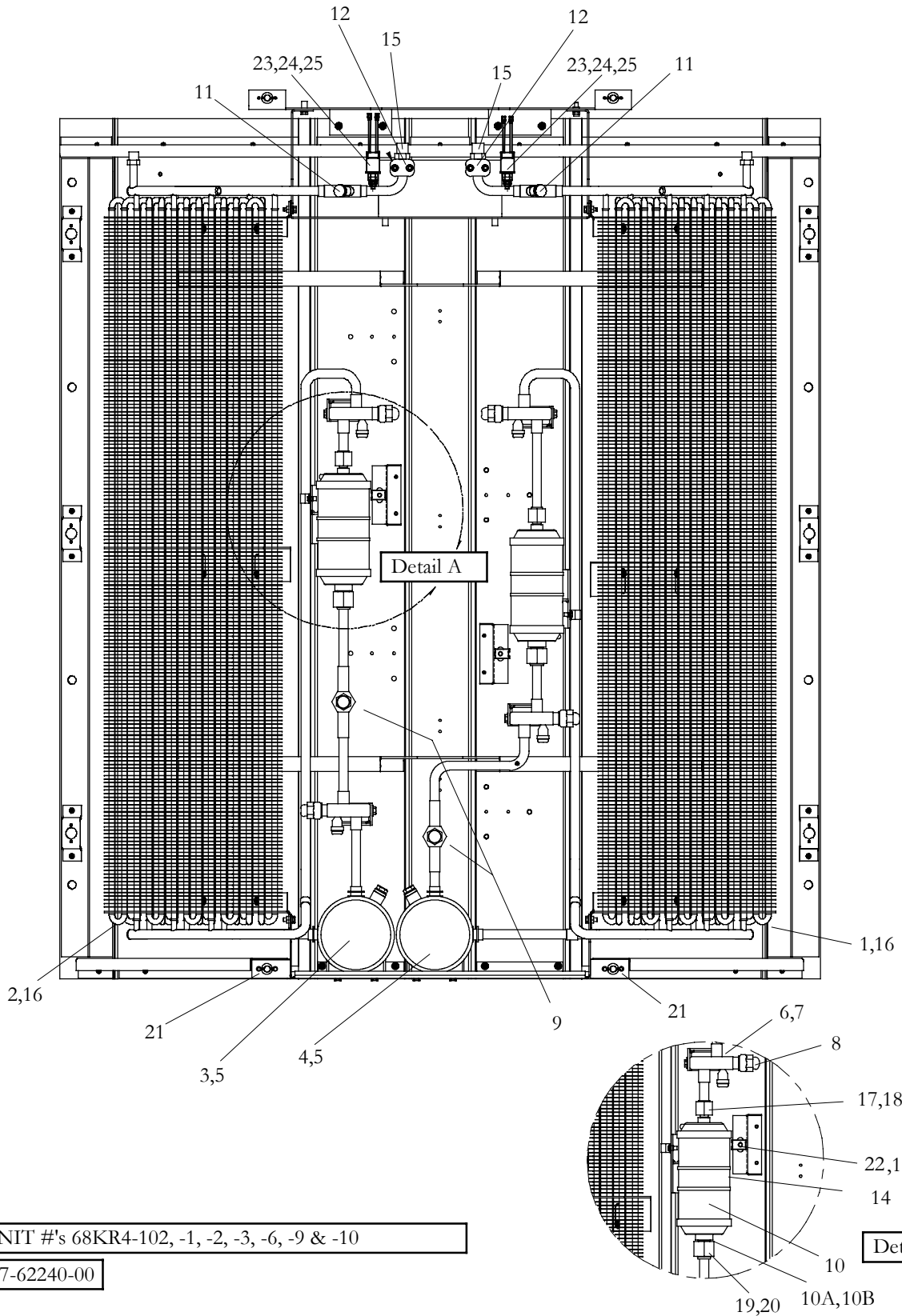


REF. KIT #77-62107-01 (LESS FILTERS & VALVES)



2.9.3 CONDENSER, 68KR4-101 SERIES, REFRIGERANT KIT DUAL LOOP - OPTION 3 - Continued:			
Item	Part Number	Description	Qty
1	08-62038-00	Coil, Condenser, Dual Loop, R.H.	1
2	08-62038-01	Coil, Condenser, Dual Loop, L.H.	1
3	65-62003-00	Receiver Assembly, Inlet Right, 5 Inch O.D.	1
4	65-62003-01	Receiver Assembly, Inlet Left, 5 Inch O.D.	1
5	14-01032-01	Plug, Fusible, 3/8 MPT	2
6	14-00029-04	Valve, Check, 5/8 ODF	2
7	44-00285-81	Clamp, Tube, Saddle, 5/8 Inch (With Cover Plate)	2
8	40-62032-01	Nut, Swivel Fitting, Male Insert O-Ring, 7/8-14 X 5/8 ODF	2
9	AC801-414	Gasket, Foam, 3/8 X 1.00 Inch X 25 Foot Roll	1
10	34-62016-00	Plate, Locking	2
11	AC701-101	Nut, Speed, "J" Type, 1/4-20	2

2.9.3 CONDENSER, 68KR4-102 SERIES, REFRIGERATION KIT, DUAL LOOP - OPTION 4



REF. UNIT #'s 68KR4-102, -1, -2, -3, -6, -9 & -10

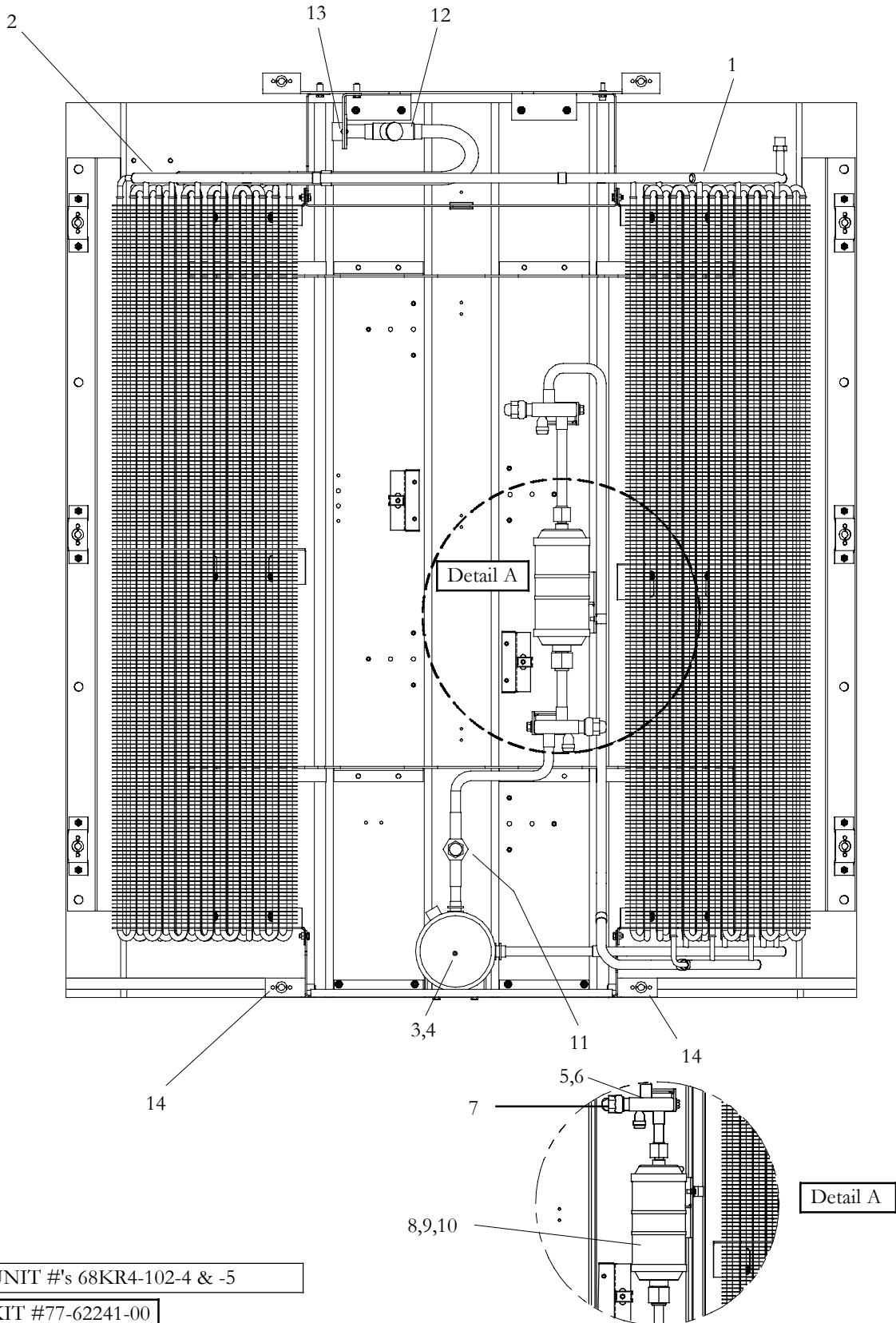
KIT #77-62240-00

Detail A



2.9.3 CONDENSER, 68KR4-102 SERIES, REFRIGERANT KIT DUAL LOOP - OPTION 4 - Continued:			
Item	Part Number	Description	Qty
1	08-62038-00	Coil, Condenser, Dual Loop, R.H.	1
2	08-62038-01	Coil, Condenser, Dual Loop, L.H.	1
3	65-62003-00	Receiver Assembly, Inlet Right, 5 Inch O.D.	1
4	65-62003-01	Receiver Assembly, Inlet Left, 5 Inch O.D.	1
5	14-01032-01	Plug, Fusible, 3/8 MPT	2
6	40-00501-05	Valve, King, Brass, 5/8 ODF	4
7	14-00351-00	. . . Core, Schrader Valve	2
8	40-00501-50	. . . Cap, King Valve, Service Part	4
9	14-00026-04	Indicator, Liquid & Moisture, 5/8 ODF	2
10	14-00320-00	Filter Drier, 3/4 ORS Inlet X 5/8 Inch ORS Outlet - Includes:	2
10A	42-00243-11O-Ring, .739 ID X .070 Thick	1
10B	42-00243-03O-Ring, .614 ID X .070 Thick	1
11	14-00029-04	Valve, Check, 5/8 ODF	2
12	44-00285-81	Clamp, Tube, Saddle, 5/8 Inch (With Cover Plate)	2
13	NSI	Clamp, Tube, 0.625 Dia. Cushion	2
14	44-00045-20	Clamp, Hose, Worm Type (3.063 - 4.00 Inches)	4
15	40-62032-01	Nut, Swivel Fitting, Male Insert O-Ring, 7/8-14 X 5/8 ODF	2
16	AC801-414	Gasket, Foam, 3/8 X 1.00 Inch X 25 Foot Roll	1
17	34-06121-03	Nut, Hex, ORS Braze (1-14 Threads)	2
18	40-00503-03	Collar, Tube - 5/8 ORS, Brass	2
19	34-06121-04	Nut, Hex, ORS Braze (1-3/16-12 Threads)	2
20	40-00503-04	Collar, Tube - 5/8 ORS, Nickel Plated Steel	2
21	34-62016-00	Plate, Locking	2
22	AC701-101	Nut, Speed, "J" Type, 1/4-20	2
23	40-01124-00	Valve Body	2
24	14-00351-00	Core, Schrader	2
25	12-00299-23	Switch, High Pressure	2

2.9.3 CONDENSER, 68KR4-102 SERIES, REFRIGERANT KIT, SINGLE LOOP - OPTION 5



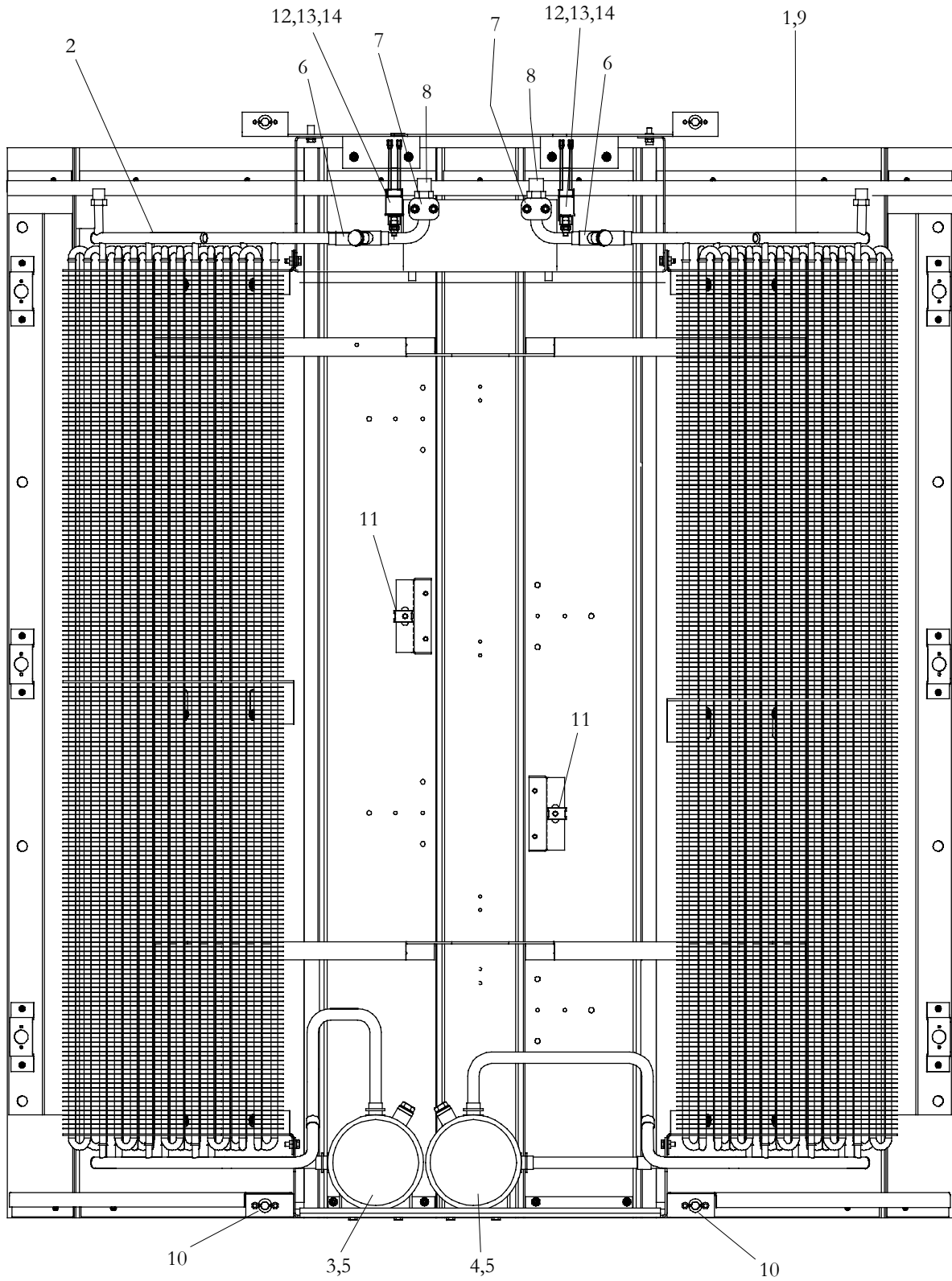
REF. UNIT #'s 68KR4-102-4 & -5

REF. KIT #77-62241-00



2.9.3 CONDENSER, 68KR4-102 SERIES, REFRIGERANT KIT, SINGLE LOOP - OPTION 5 - Continued:			
Item	Part Number	Description	Qty
1	08-62046-00	Coil Assembly, Condenser, Single Loop	1
2	08-62046-01	Coil Assembly, Condenser, Single Loop	1
3	65-62003-01	Receiver Assembly, Inlet Left, 5 Inch OD	1
4	14-01032-01	Plug, Fusible, Safety, 3/8 NPTF	1
5	40-00501-05	Valve, King, Brass, 5/8 ODF	2
6	14-00351-00	. . . Core, Schrader Valve	2
7	40-00501-50	. . . Cap, King Valve, Service Part	2
8	14-00320-00	Filter Drier, 3/4 ORS Inlet X 5/8 ORS Outlet (41 Cu. In.) - Includes:	1
9	42-00243-11	...O-Ring, .739 ID X .070 Thick	1
10	42-00243-03	...O-Ring, .614 ID X .070 Thick	1
11	14-00026-04	Indicator, Liquid & Moisture, 5/8 ODF	1
12	14-00029-09	Valve, Check, 7/8 ODF	1
13	34-06088-00	Nut, Hex, 1-7/16-12, Brass	1
14	34-62016-00	Plate, Locking	2

2.9.3 CONDENSER, 68KR4-102 SERIES, REFRIGERATION KIT, DUAL LOOP - OPTION 6



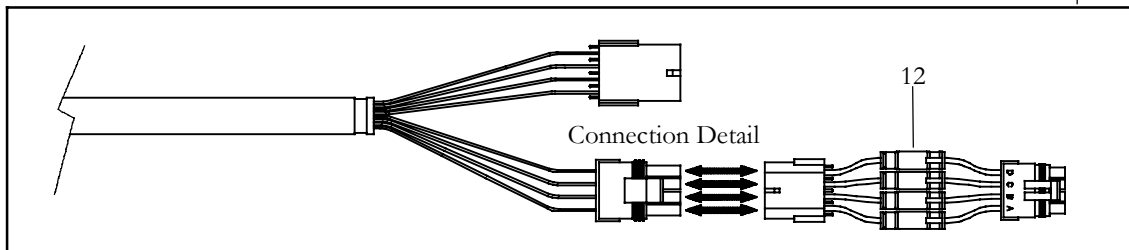
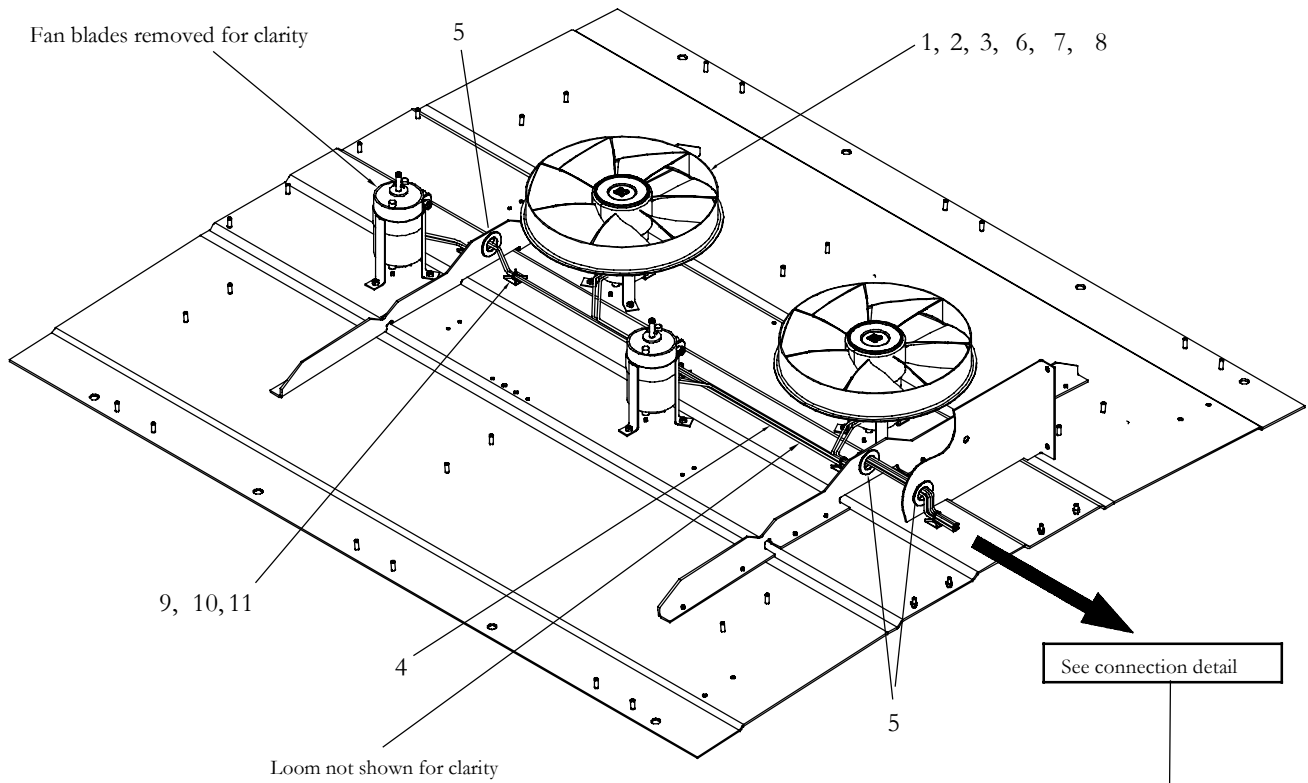
REF. KIT #77-62107-01 (LESS FILTERS & VALVES)



2.9.3 CONDENSER, 68KR4-102 SERIES, REFRIGERANT KIT DUAL LOOP - OPTION 6 - Continued:			
Item	Part Number	Description	Qty
1	08-62038-00	Coil, Condenser, Dual Loop, R.H.	1
2	08-62038-01	Coil, Condenser, Dual Loop, L.H.	1
3	65-62003-00	Receiver Assembly, Inlet Right, 5 Inch O.D.	1
4	65-62003-01	Receiver Assembly, Inlet Left, 5 Inch O.D.	1
5	14-01032-01	Plug, Fusible, 3/8 MPT	2
6	14-00029-04	Valve, Check, 5/8 ODF	2
7	44-00285-81	Clamp, Tube, Saddle, 5/8 Inch (With Cover Plate)	2
8	40-62032-01	Nut, Swivel Fitting, Male Insert O-Ring, 7/8-14 X 5/8 ODF	2
9	AC801-414	Gasket, Foam, 3/8 X 1.00 Inch X 25 Foot Roll	1
10	34-62016-00	Plate, Locking	2
11	AC701-101	Nut, Speed, "J" Type, 1/4-20	2
12	40-01124-00	Valve Body	2
13	14-00351-00	Core, Schrader	2
14	12-00299-23	Pressure Switch, High	2



2.9.4 CONDENSER, 68KR4-101 SERIES, ELECTRICAL KIT - OPTION 1, 2, 3 & 4



KIT #77-62109-00 (24VDC)
KIT #77-62109-01 (12VDC)

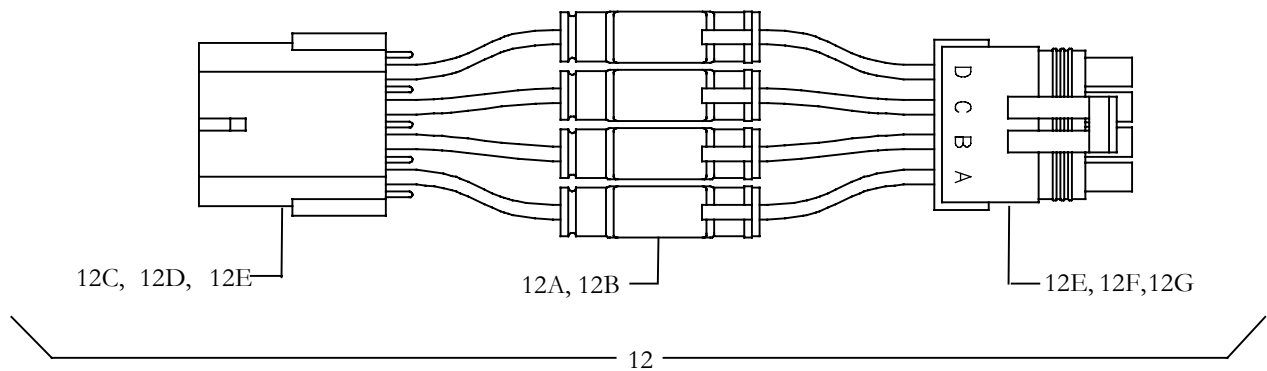
KIT #77-62109-02 (24VDC W/FUSE)
KIT #77-62109-03 (12VDC W/FUSE)

Item	Part Number	Description	Qty
OPTION 1			
1	54-00583-00	Motor, 24 VDC	4
OPTION 2			
1	54-00583-01	Motor, 12 VDC	4
OPTION 3			
1	54-00583-00	Motor, 24 VDC	4
12	22-62243-01	Fuse Assembly, 10 Amp, 24VDC	1
OPTION 4			
1	54-00583-01	Motor, 12 VDC	4
12	22-62243-00	Fuse Assembly, 15 Amp, 12VDC	1



2.9.4 COMMON PARTS, 68KR4-101 SERIES, ELECTRICAL KIT - OPTION 1 THRU 4 - Continued:

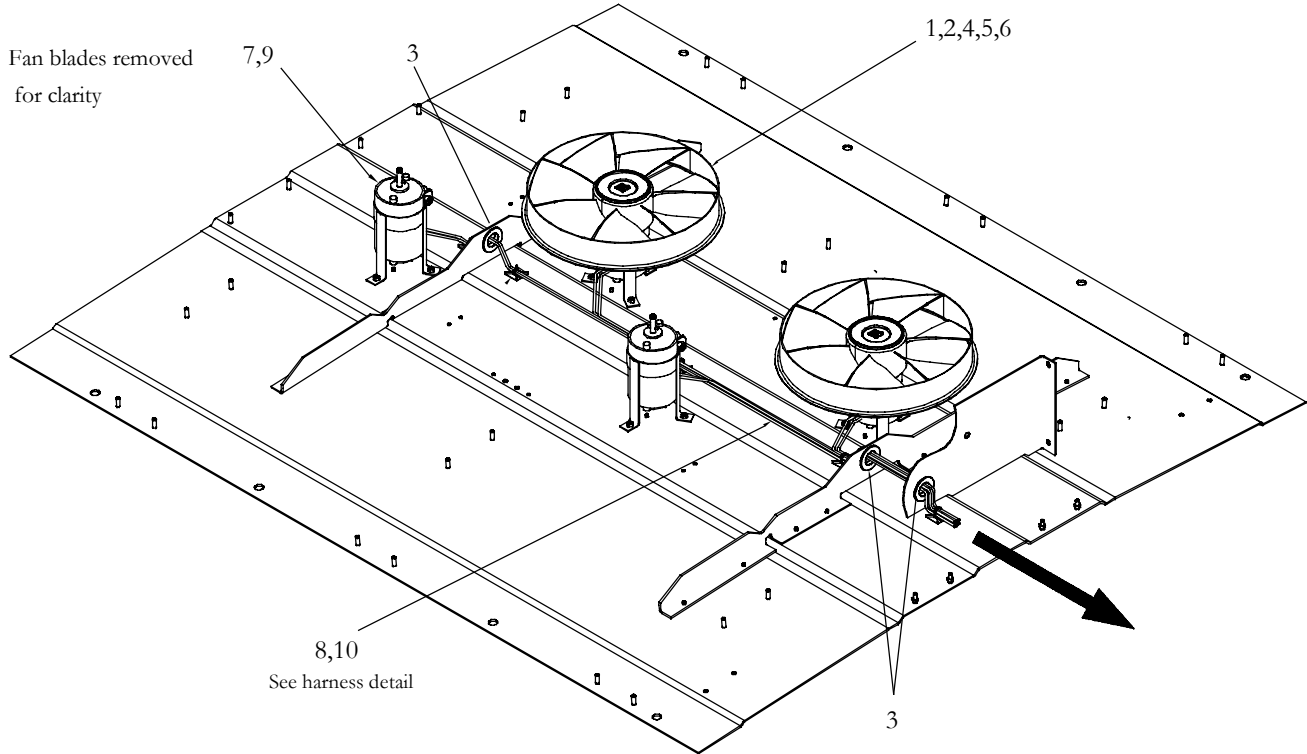
Item	Part Number	Description	Qty
2	38-00566-00	Fan, Condenser	4
3	34-62017-00	Clip, Retaining, Condenser Fan	4
4	22-62153-00	Wire Harness, KR4, DC Motors	1
5	58-00065-51	Grommet, 7/8 I.D.	3
6	22-01585-00	Connector, Male, 2 Pin Weatherpack	4
7	22-02393-01	Terminal, Male, 18-20 AWG	8
8	22-02394-01	Seal, Cable	8
9	66U1-3882	Wire Tie, Self-Locking, 7 Inches, Black	5
10	58-00079-02	Sta-Strap, 0-1.75 Inch Diameter Cable	5
11	34-00928-09	Rivet, Blind, .156 Diameter	10



Item	Part Number	Description	Qty
12	22-62243-00	Fuse Assembly, 15 Amp, 12VDC - Includes:	1
12A	22-02336-24Fuse, 15 Amps, Blue	4
12B	22-02338-03Holder, Fuse	4
12C	22-02392-03Connector, Female, , 4 Pin, Black	1
12D	22-01566-00Terminal, Female (14-16 AWG)	4
12E	22-02394-00Seal, Cable, Gray (.11-.14 Cable OD)	8
12F	22-01585-04Connector, Male, 4 Pin, Black	1
12G	22-02393-00Terminal, Male (14-16 AWG)	4
12	22-62243-01	Fuse Assembly, 10 Amp, 24VDC - Includes:	1
12A	22-02336-23Fuse, 10 Amps, Red	4
12B	22-02338-03Holder, Fuse	4
12C	22-02392-03Connector, Female, , 4 Pin, Black	1
12D	22-01566-00Terminal, Female (14-16 AWG)	4
12E	22-02394-00Seal, Cable, Gray (.11-.14 Cable OD)	8
12F	22-01585-04Connector, Male, 4 Pin, Black	1
12G	22-02393-00Terminal, Male (14-16 AWG)	4
N/S	02-00067-01	Sealant, Caulking, Black (10.3 Ounce Tube)	1



2.9.4 CONDENSER, 68KR4-102 SERIES, ELECTRICAL KIT - OPTIONS 5 & 6



OPTION 5: KIT #77-62109-02 (24VDC) Used On Models 68KR4-102, -1, -4 & -5

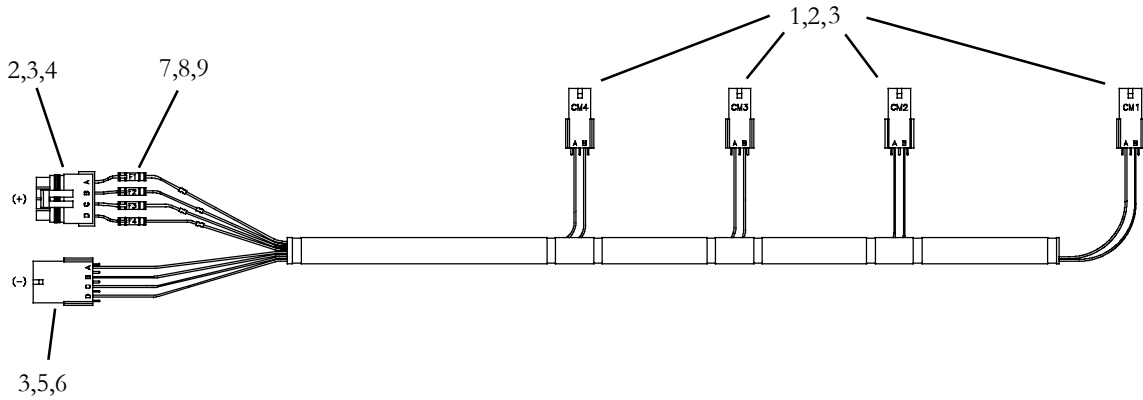
OPTION 6: KIT #77-62109-03 (12VDC) Used On Models 68KR4-102-2, -3, -6, -8, -9 & -10

2.9.4 COMMON PARTS, 68KR4-102 SERIES, ELECTRICAL KIT

Item	Part Number	Description	Qty
1	38-00566-00	Fan, Condenser	4
2	34-62017-00	Clip, Retaining, Condenser Fan	4
3	58-00065-51	Grommet, 7/8 I.D.	3
4	22-01585-00	Connector, Male, 2 Pin Weatherpack	4
5	22-02393-01	Terminal, Male, 18-20 AWG	8
6	22-02394-01	Seal, Cable	8
OPTION 5			
7	54-00583-00	Motor, 24 VDC	4
8	22-62351-01	Wire Harness, 24 VDC Motors	1
OPTION 6			
9	54-00583-01	Motor, 12 VDC	4
10	22-62351-00	Wire Harness, 12 VDC Motors	1

NOTE: Complete Wire Harnesses are Non-Stock Items. Replace Components are Listed.

2.9.4 CONDENSER, 68KR4-102 SERIES HARNESS DETAIL, OPTIONS 5 & 6



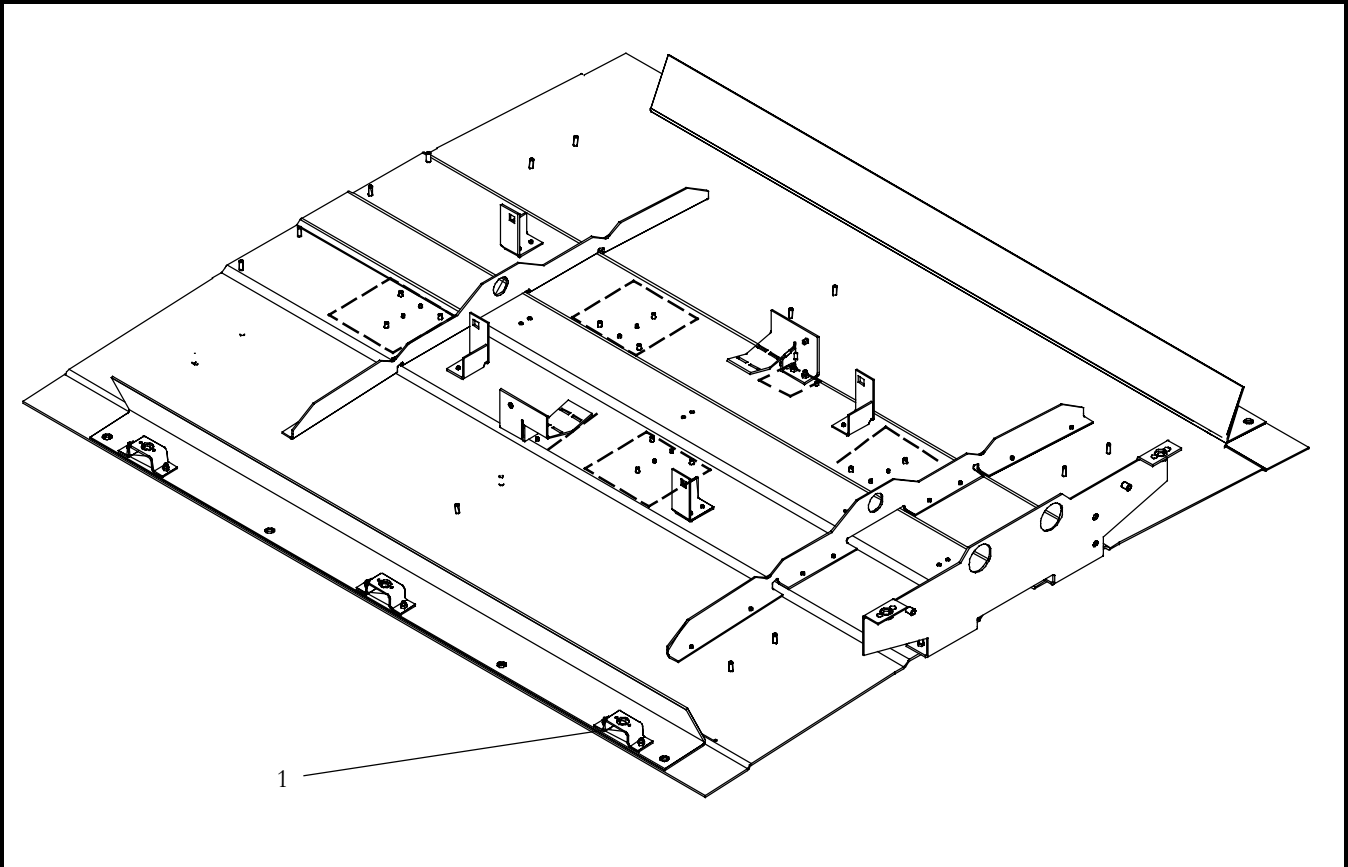
Harness: Option 5 (24VDC) Used On Models 68KR4-102, -1, -4 & -5

Harness: Option 6 (12VDC) Used On Models 68KR4-102-2, -3, -6, -8, -9 & -10

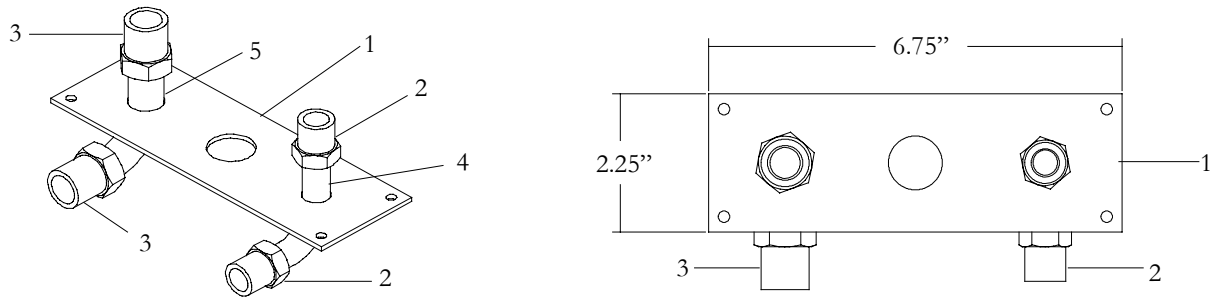
Item	Part Number	Description	Qty
1	22-02392-00	Connector, Female, Weatherpac (2 position)	4
2	22-01566-00	Terminal, Female (14-16 AWG)	12
3	22-02394-00	Seal, Cable (Gray)	16
4	22-01585-04	Connector, Weatherpac (4 position)	1
5	22-02393-00	Terminal, Male (14-16 AWG)	4
6	22-02392-03	Connector, Weatherpac (4 position)	1
7	22-02338-03	Holder, Fuse	4
8	22-02336-24	Fuse, 15 A (24 VDC) Option 5 Only	4
9	22-02336-25	Fuse, 20 A (12 VDC) Option 6 Only	4



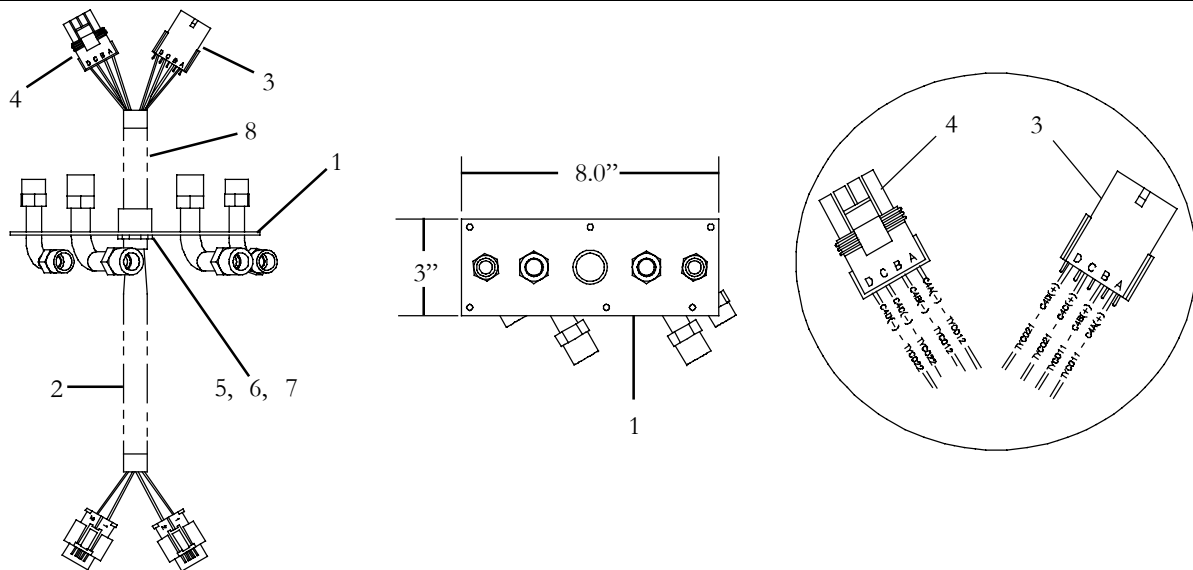
2.9.5 68KR4-101 SERIES, FRAME KIT, OPTION 1 (ALL)



Item	Part Number	Description	Qty
1	34-62016-00	Plate, Locking	8

2.9.6 KR4 FEED-THROUGH PLATE ASSEMBLY (81-62151-00)


Item	Part Number	Description	Qty
1	68-63691-00	Plate Assembly (6.75 x 2.25 Inches)	1
2	40-62032-02	Nut, 3/4-16 UNF x 1/2 OD	2
3	40-62032-01	Nut, 7/8-14 UNF x 5/8 OD	2
4	56-62037-01	Tube, 1/2 OD	1
5	56-62311-00	Tube, 5/8 OD	1

2.9.7 KR4 BULKHEAD FEED-THROUGH ASSEMBLY (79-62105-00 REFERENCE ONLY)


Item	Part Number	Description	Qty
1	81-62147-00	Plate Assembly, Feed-Through Bulkhead, KR4 (8 x 3 Inches)	1
2	22-62249-00	Harness, Interface, KR4 - Includes:	1
2A	22-50098-71Connector, Female, 2 Pin, Black	2
2B	22-02393-00Terminal, Male (14-16 AWG)	4
2C	22-01566-00Terminal, Female (14-16 AWG)	4
2D	22-02394-00Seal, Cable, Gray (.11-.14 Cable OD)	8
3	22-02392-03	Connector, Female, 4 Pin, Black	1
4	22-01585-04	Connector, Male, 4 Pin, Black	1
5	58-62172-00	Adapter, Male Terminal, 1/2. Gray	1
6	22-00118-02	Nut, Lock, 1/2 Inch, Conduit	1
7	AC801-203	O-Ring	1
8	58-00849-11	Tubing, Split, Corrugated, 5/8 Inch x 7.50 Feet Long	1

SECTION 2.10 CONDENSER, 68KP – /3-101 SERIES
OPTION TABLE KR2
INTRODUCTION

The Mobile Climate Control model 68KR2/3 series condensers are of lightweight frame construction, designed to be installed on the vehicle roof.

CONFIGURATION IDENTIFICATION

Unit identification information is provided on a plate located inside the condenser. The plate provides the unit model number, the unit serial number and the unit parts identification number (PID). The model number identifies the overall unit configuration while the PID provides information on specific optional equipment and differences in detailed parts.

This section provides a description of and a tabular listing of unit model numbers and PID numbers to assist the reader in identifying the equipment supplied and any required service parts.

OPTION DESCRIPTION

Various options may be factory or field equipped to the base unit. These options are listed in the tables and described in the following subparagraphs.

Cover Kit

The top cover is designed to allow for different mounting arrangements on high roof radius, low roof radius and flat roof configurations.

Electrical Kit

The unit may be fitted with 12 or 24 volt fan motors, or with, or without in-line fuse assemblies.

OPTION LEGEND KR2/3

Cover Kit KR2	
1	Top Cover - KR2 Flat Roof Radius
2	Top Cover - KR2 High Roof Radius
Cover Kit KR3	
1	Top Cover - KR3 Flat Roof Radius
2	Top Cover - KR3 High Roof Radius
3	Top Cover - KR3 Intermediate Roof Radius
Electrical Kit	
1	12 VDC W/PM Motors
2	24 VDC W/PM Motors
3	12 VDC W/PM Motors & In-Line Fuses
4	24 VDC W/PM Motors & In-Line Fuses

Model 68KR2	PID Condenser KR2	Frame Kit Section 2.10.1	Cover Kit Section 2.10.4	Electrical Kit Section 2.10.5
-101	00073	1	1	1
-101-1	00075	1	1	2
-101-2	00076	1	2	1
-101-3	00077	1	2	2
-101-4	00103	1	1	1
-101-5	00104	1	1	2
-101-6	00105	1	2	1
-101-7	00106	1	2	2
-101-8	00107	1	3	1
-101-9	00108	1	3	1
-101-10	00109	1	1	1
-101-11	00110	1	1	1
-101-12	00111	1	3	1

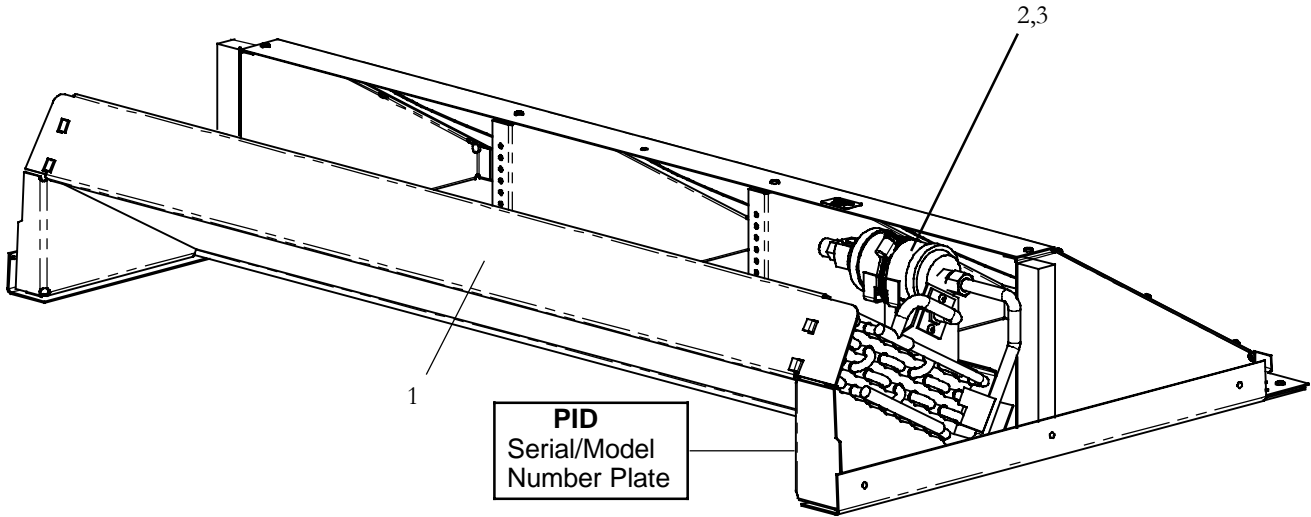
OPTION TABLE KR3

Model 68KR3	PID Condenser KR3	Frame Kit Section 2.10.1	Cover Kit Section 2.10.2	Electrical Kit Section 2.10.3
-101	00074	2	1	1
-101-1	00078	2	1	2
-101-2	00079	2	2	1
-101-3	00080	2	2	2
-101-4	00107	2	3	1
-101-5	00108	2	3	2
-101-6	00099	2	1	1
-101-7	00100	2	1	2
-101-8	00101	2	2	1
-101-9	00102	2	2	2
-101-10	00109	2	3	1
-101-11	00110	2	3	2
-101-12	00111	2	4	1
-101-13	00112	2	4	1
-101-14	00113	2	4	1
-101-15	00114	2	4	1
-101-16	00115	2	1	1
-101-17	00116	2	1	1
-101-18	00117	2	4	1

SECTION 2.10 CONDENSER, 68KR2 & 68KR3-101 SERIES

2.10.1 CONDENSER, 68KR2 & 68KR3-101 SERIES - FRAME KIT : ALL OPTIONS 1 & 2

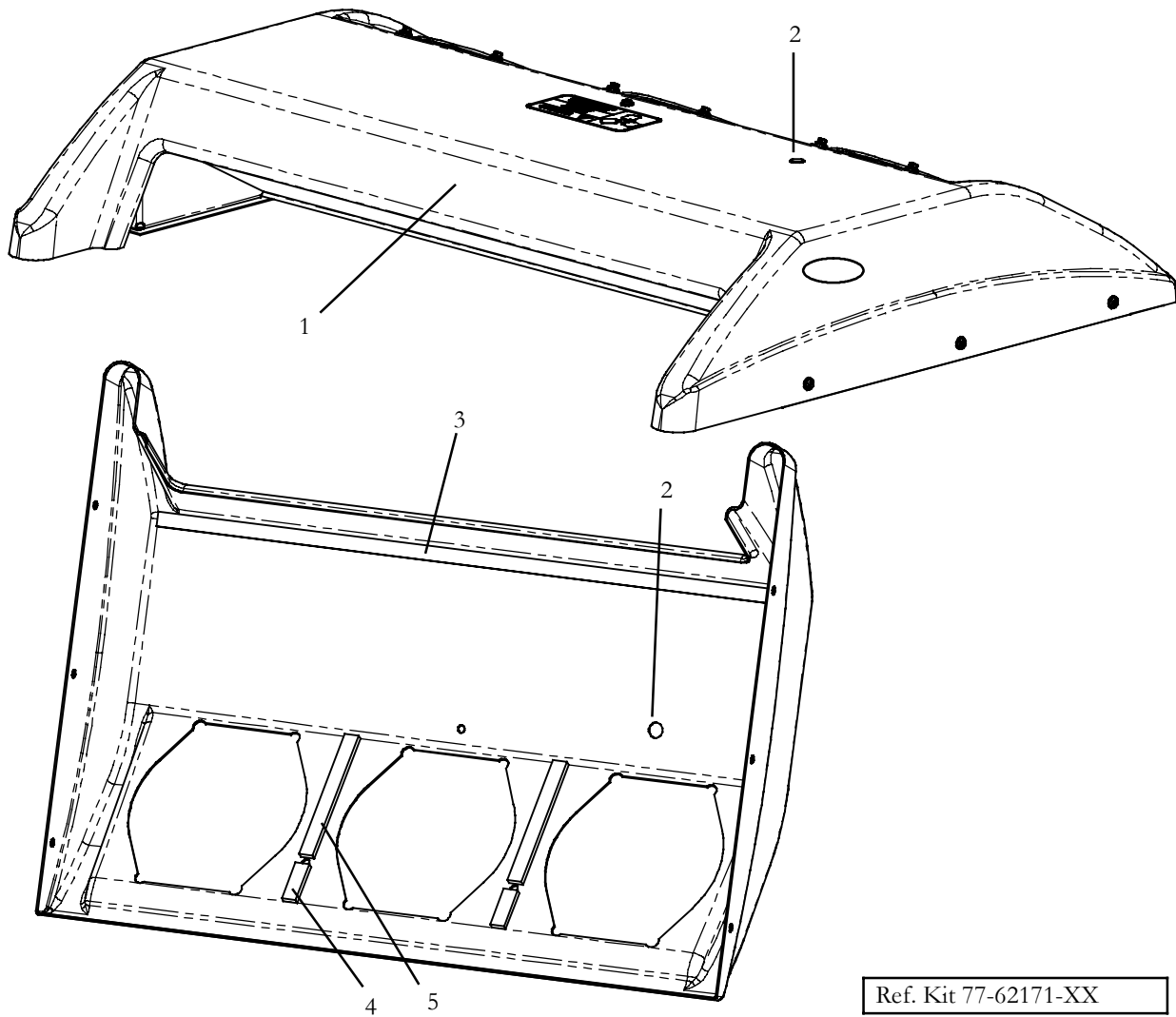
KIT #77-62170-02 & 06
 KIT#77-62170-03, -04, -05



Item	Part Number	Description	Qty
1	08-62057-00	Coil Assembly, Condenser, KR2: Option 1	1
	08-62057-01	Coil Assembly, Condenser, KR3: Option 2	1
2	14-00288-00	Filter Drier, Sight Glass, 1/2 Inch M.O.R. (16 Cubic Inch)	1
3	AC801-202	O-Ring, 1/2 Inch, HNBR	1



2.10.2 CONDENSER, 68KR3-101 SERIES - COVER KIT - OPTIONS 1 thru 4

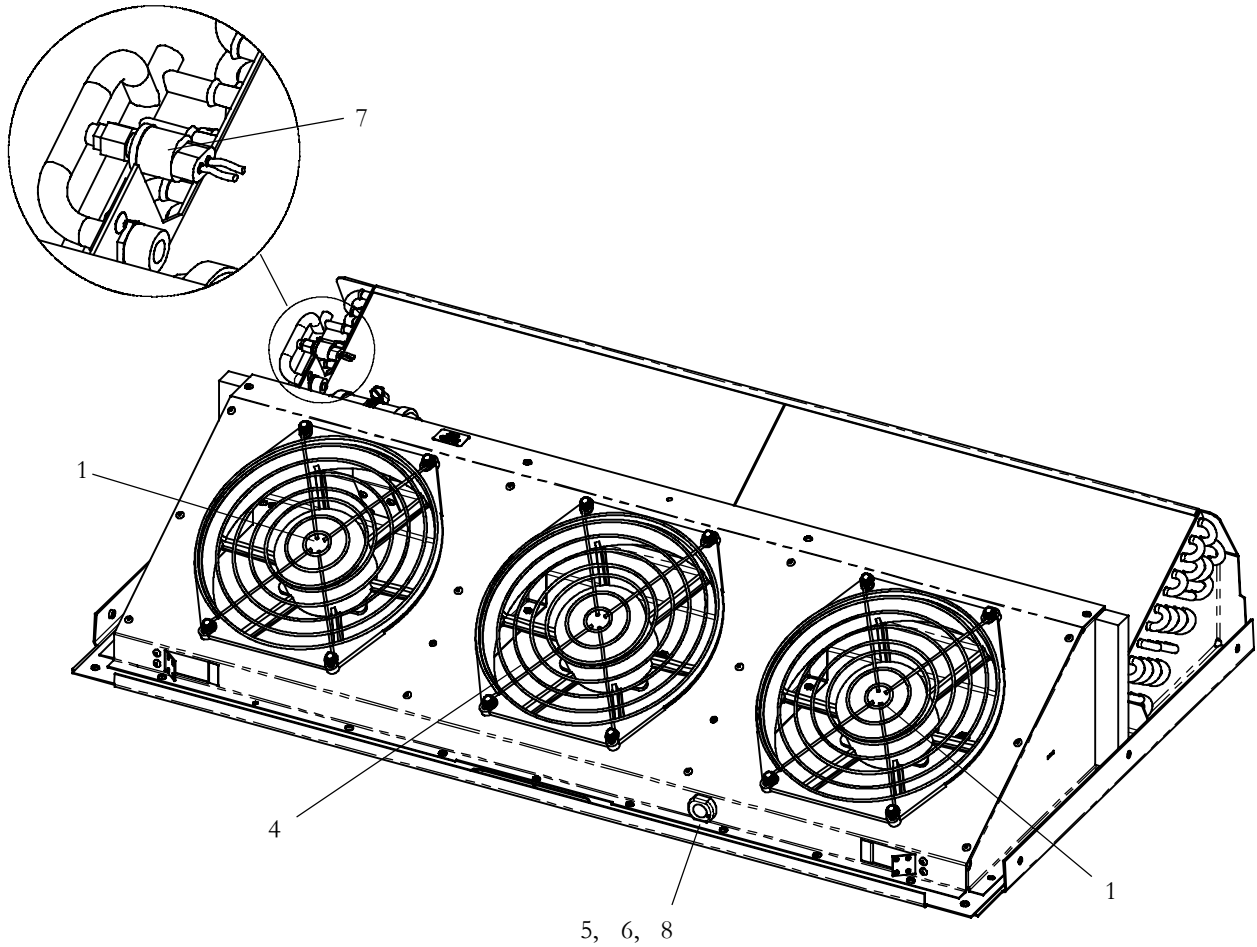


Ref. Kit 77-62171-XX

Item	Part Number	Description	Qty
1	77-62171-01	Cover, Condenser, KR3, Flat (OPTION 1)	1
	77-62171-03	Cover, Condenser, KR3, 196.85 Radius (OPTION 2)	1
	77-62171-04	Cover, Condenser, KR3, 275.59 Radius (OPTION 3)	1
	77-62171-06	Cover, Condenser, KR3, Standard (Flat) Radius (OPTION 4)	1
2	AC801-342	Plug, Clear, 1.00 Inch Diameter Hole	1
3	42-00221-18	Gasket, Foam, 1.00 Thick x .38 Wide x 46.50 Long, Adhesive Backed	1
4	42-00221-21	Gasket, Foam, 1.00 Thick x .38 Wide x 2.80 Long, Adhesive Backed	2
5	42-00221-20	Gasket, Foam, 1.00 Thick x .38 Wide x 9.32 Long, Adhesive Backed	2



2.10.3 CONDENSER, 68KR3-101 SERIES - ELECTRICAL KITS - (77-62172-01, -03, -05, -07)

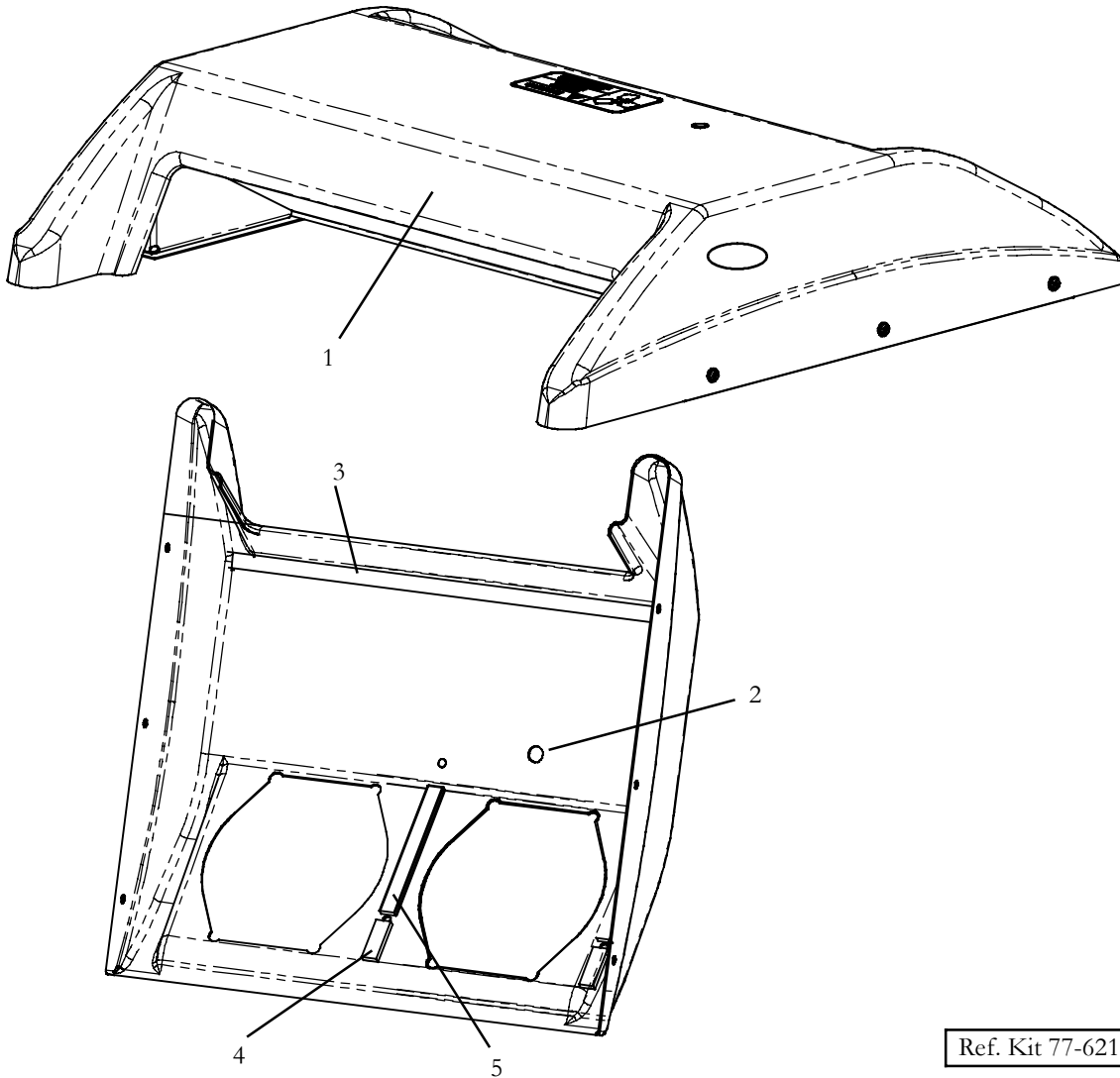


Ref. Kit 77-62172-XX

Item	Part Number	Description	Qty
1	54-00618-01	Fan & Motor Assembly, 12 VDC (OPTION 1)	3
	54-00618-02	Fan & Motor Assembly, 24 VDC (OPTION 2)	3
2	22-02336-25Fuse, 20 Amp (Used in 12 VDC application) (OPTION 1)	3
3	22-02336-26Fuse, 25 Amp (Used in 24 VDC application), (OPTION 2)	3
4	AC030-234	Guard, Fan, Condenser	3
5	22-62236-00	Harness Assembly, (ALL)	NSI
6	66U1-3882	Wire Tie, Self-Locking, 7 Inch, Black	9
7	AC201-414	Switch, Pressure, 1/4 Inch Female Flare (400-300 PSIG)	1
8	58-62019-00	Bushing, Harness, Strain Relief	1



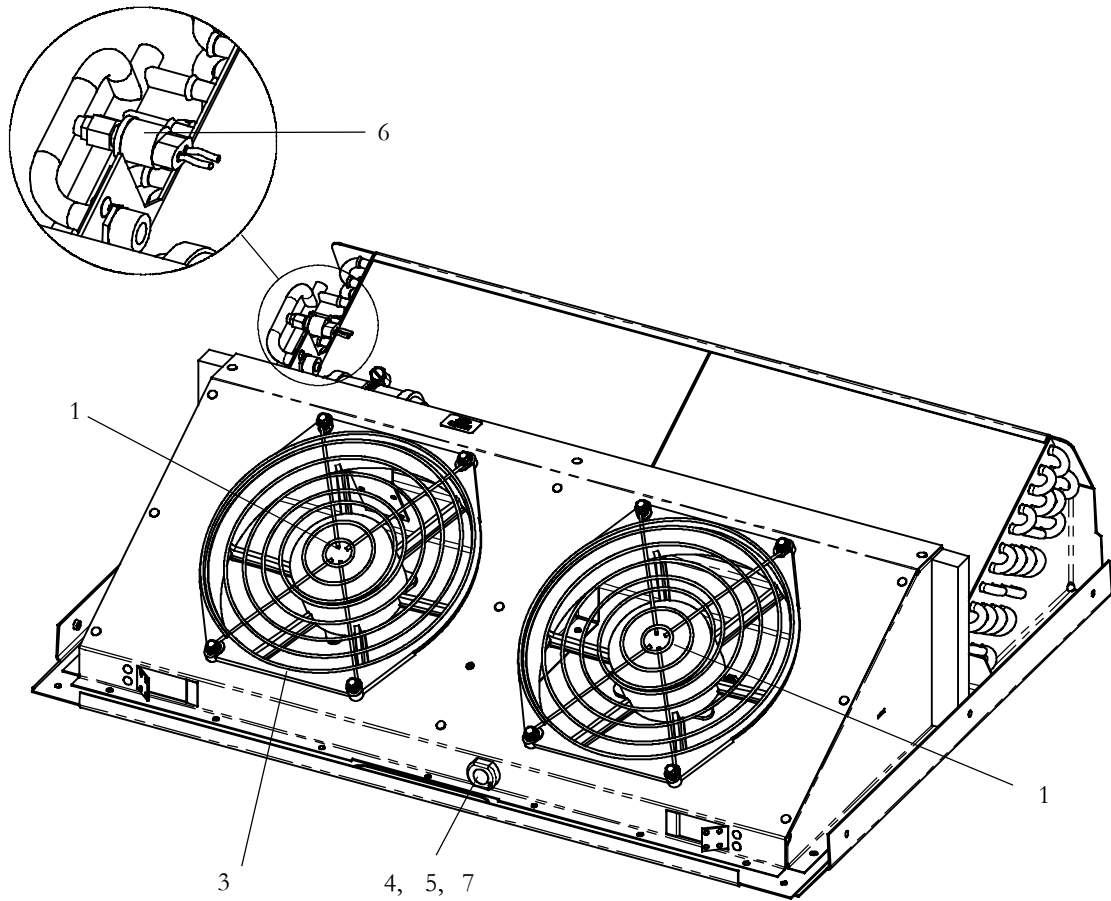
2.10.4 CONDENSER, 68KR2-101 SERIES - COVER KIT - 77-62171-00, -02 & -05



Ref. Kit 77-62171-XX

Item	Part Number	Description	Qty
1	77-62171-00	Cover, KR2, Flat (OPTION 1)	1
	77-62171-02	Cover, KR2, Radius (OPTION 2)	1
	77-62171-05	Cover, KR2, Standard (Flat) Radius (OPTION 3)	1
2	AC801-342	Plug, Clear, 1.00 Inch Diameter Hole	1
3	42-00221-19	Gasket, Foam, 1.00 Thick x .38 Wide x 34.25 Long, Adhesive Backed	1
4	42-00221-21	Gasket, Foam, 1.00 Thick x .38 Wide x 2.80 Long, Adhesive Backed	2
5	42-00221-20	Gasket, Foam, 1.00 Thick x .38 Wide x 9.32 Long, Adhesive Backed	2

2.10.5 CONDENSER, 68KR2-101 SERIES - ELECTRICAL KIT - 77-62172-00, -02, -04 & -06



Ref. Kit 77-62172-XX

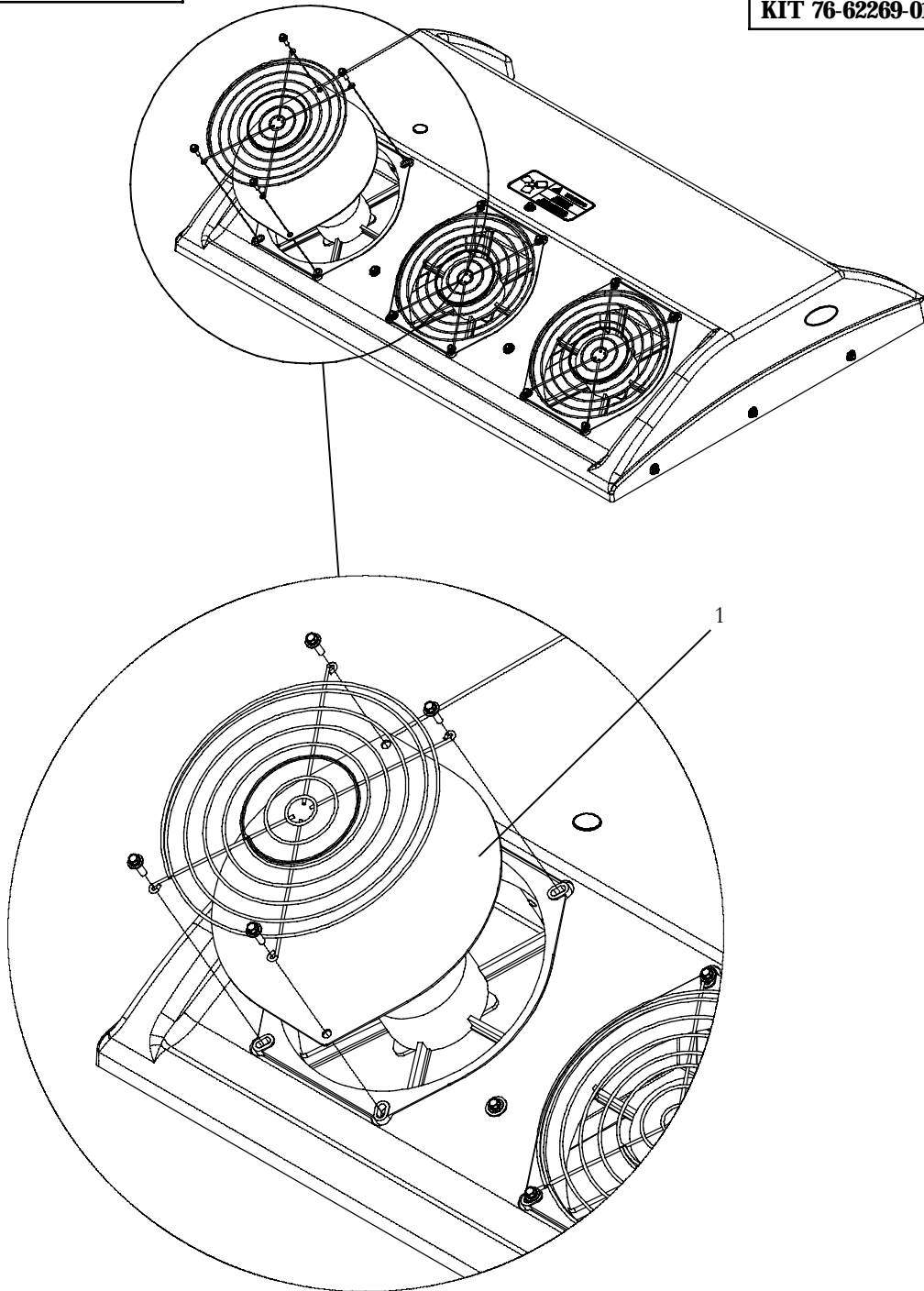
Item	Part Number	Description	Qty
1	54-00618-01	Fan & Motor Assembly, Vector, 12V, With Fuse (OPTION 1)	2
	54-00618-02	Fan & Motor Assembly, 24 VDC, With Fuse, (OPTION 2)	2
2	22-02336-25Fuse, 20 Amp (Used in 12 VDC application) (OPTION 1)	2
	22-02336-26Fuse, 25 Amp (Used in 24 VDC application), (OPTION 2)	2
3	AC030-234	Guard, Fan, Condenser	2
4	22-62235-00	Harness Assembly (ALL)	NSI
5	66U1-3882	Wire Tie, Self-Locking, 7 Inch, Black	6
6	AC201-414	Switch, Pressure, 1/4 Inch Female Flare, (400-300 PSIG)	1
7	58-62019-00	Bushing, Harness, Strain Relief	1



2.10.6 Figure 3-1 WINTERGUARD KITS - KR2/3 - (76-62269-00 & -01)

INSTALLATION DRAWING

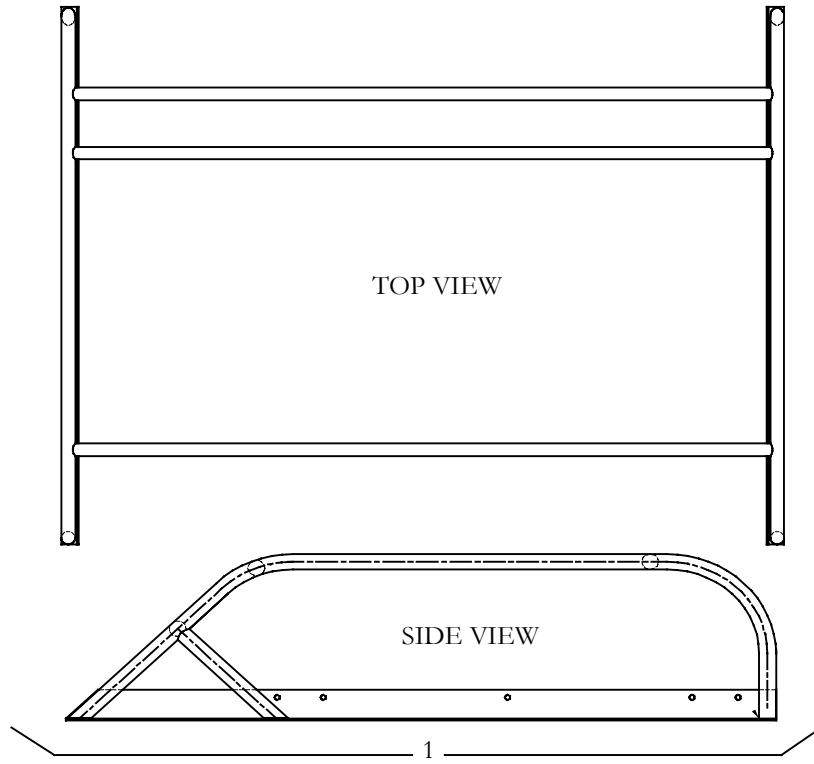
KIT 76-62269-00 KR2
KIT 76-62269-01 KR3



Item	Part Number	Description	Qty
1	AC033-145	Winterguard Cover, KR2/KR3	2 / 3



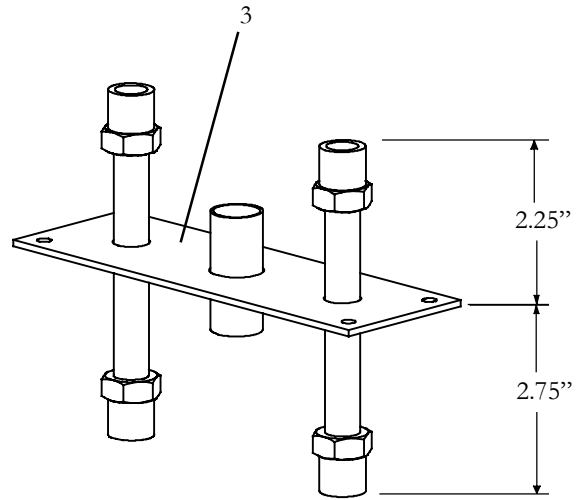
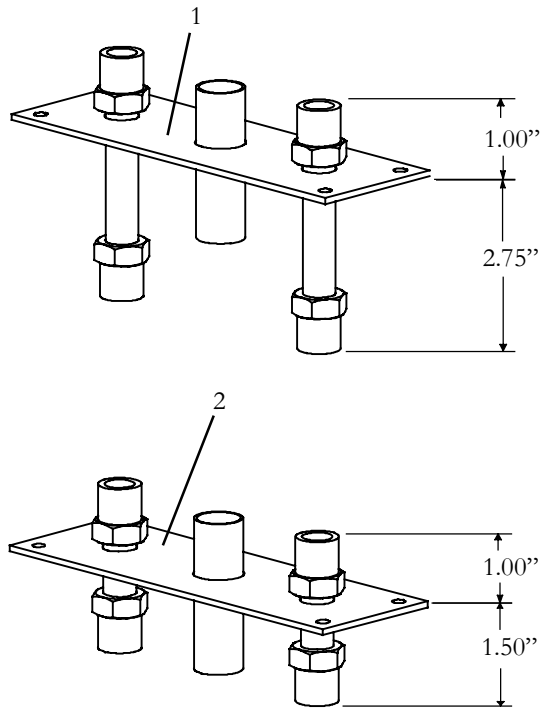
2.10.7 Figure 3-2 BRUSH GUARD, CONDENSER, KR2/3 AND CM-7/11



Item	Part Number	Description	Qty
1	86-62150-00	Brush Guard, KR3 & CM-7 (49.68 Inch Wide)	1
	86-62150-01	Brush Guard, KR2 & CM-11 (37.43 Inch Wide)	1



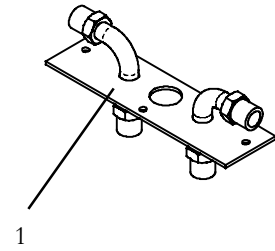
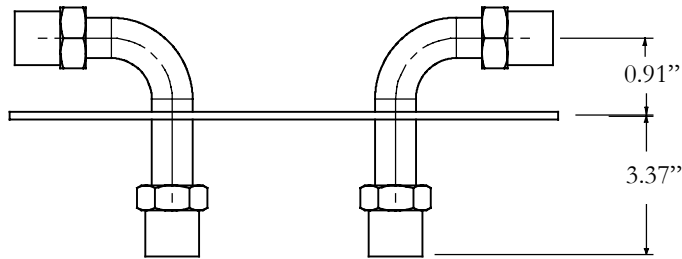
2.10.8 FEED-THROUGH PLATE ASSEMBLIES - ROOFTOPS - (81-62138)



Item	Part Number	Description	Qty
1	81-62138-00	Plate Assembly, Feed Through (6.75" x 2.25")	1
2	81-62138-01	Plate Assembly, Feed Through (6.75" x 2.25")	1
3	81-62138-02	Plate Assembly, Feed Through (6.75" x 2.25")	1

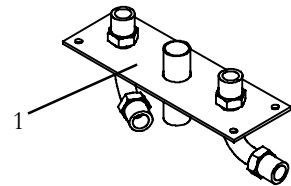
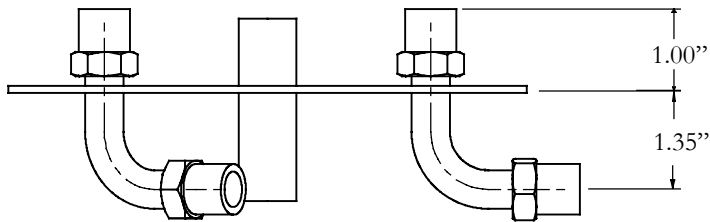


2.10.9 FEED-THROUGH PLATE ASSEMBLIES - ROOFTOPS - (81-62145)



Item	Part Number	Description	Qty
1	81-62145-01	KR2/3 Feed Thru Plate Assembly (6.75" x 1.88")	2

2.10.10 FEED-THROUGH PLATE ASSEMBLIES - ROOFTOPS - (81-62156)



Item	Part Number	Description	Qty
1	81-62156-00	Plate, Feed Thru (6.75" x 2.25")	1

SECTION 3 - FITTINGS & HOSE

SECTION 3.1 FITTINGS

PLEASE REFERENCE MANUAL T-352PL FOR A MORE COMPLETE SELECTION OF FITTINGS AND HOSE OFFERED THROUGH MOBILE CLIMATE CONTROL.

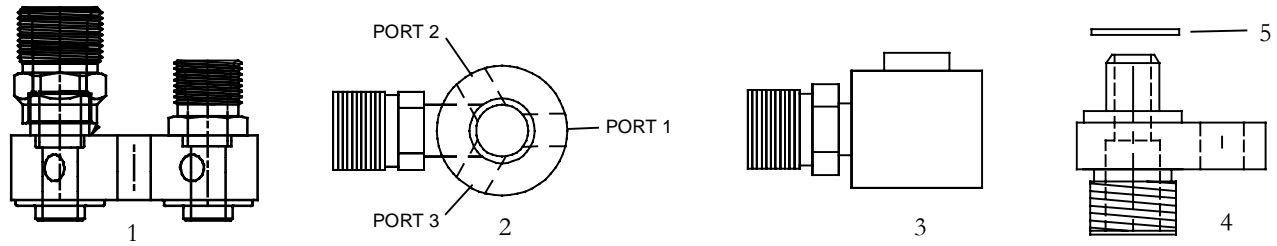
Cross Reference Part Numbers are Provided to Upgrade Quick-CLICK Hose and Fittings to FlexCLIK



**SERVICE PARTS LIST
AND
ASSEMBLY INSTRUCTIONS**
for
“FlexCLIK” Hose & Fittings



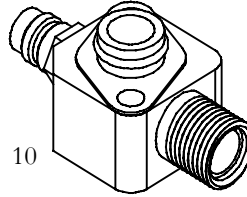
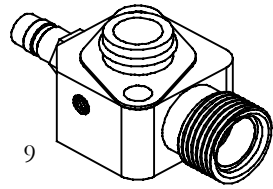
3.1.1 FITTING, A-6 COMPRESSOR, (GM STYLE)



Item	Part Number	Description
1	40-62057-03	Fitting, Block, GM Style, #10 M.I.O X #10 M.I.O. X #12 M.I.O.(Tapped Ports/Steel)
2	40-62033-03	Fitting, Block, GM Style, #8 M.I.O. With Ports #1 & #2, (Steel)
	40-62033-04	Fitting, Block, GM Style, #10 M.I.O. With Ports #1 & #3, (Steel)
	40-62033-05	Fitting, Block, GM Style, #12 M.I.O. With Ports #1 & #3, (Steel)
3	40-62008-03	Fitting, Block, GM Style, #8 M.I.O., (Steel)
	40-62008-04	Fitting, Block, GM Style, #10 M.I.O., (Steel)
	40-62008-05	Fitting, Block, GM Style, #12 M.I.O., (Steel)
4	40-62119-00	Fitting, Block, GM Style, Liquid, #6 M.I.O.
5	58-62121-00	Seal, 2003 GM Fitting Block, .44 I.D.
6	40-62120-00	Fitting, Block, GM Style, Discharge, #10 M.I.O.
7	40-62078-00	Fitting, Block, GM Style, Suction, #10 M.I.O.
8	40-62079-00	Fitting, Block, GM Style, Liquid, #6 M.I.O.

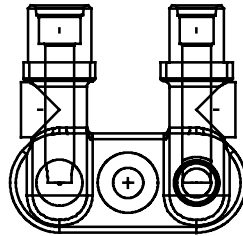


3.1.2 FITTINGS - TM-31



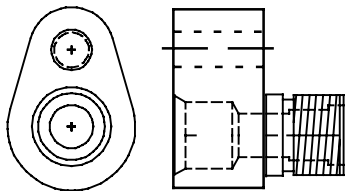
9	40-62068-00	Fitting, Manifold, Compressor, Suction, (TM-31)
10	40-62068-01	Fitting, Manifold, Compressor, Discharge, (TM-31)

3.1.3 FITTINGS - MISCELLANEOUS

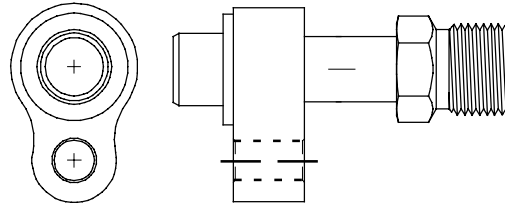


11

11	40-62113-00	Fitting, Manifold, 3/4 X 7/8 Female "O" Ring (VOR UP)
12	40-62113-01	Fitting, Manifold, 3/4 X 7/8 Female "O" Ring (VOR DOWN)

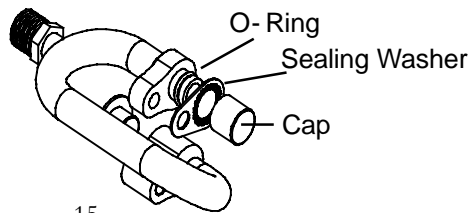


13

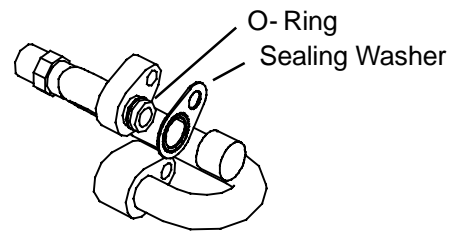


14

13	40-62090-00	Fitting, Block, 07 Ford Discharge x #8 MIO
14	40-62092-00	Fitting, Block, Peanut Block To #10 MIO



15

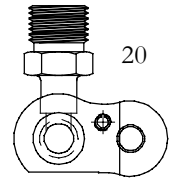
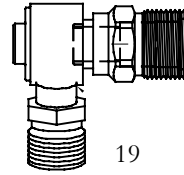
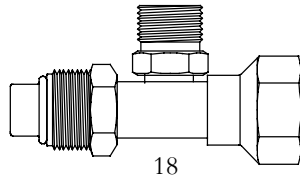
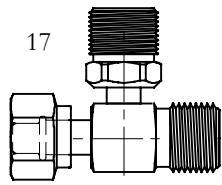


16

15	40-62091-00	Fitting, Block, 07 Ford Suction x #10 MIO
16	40-62126-00	Fitting, Block, 09 Ford Suction x #10 MIO

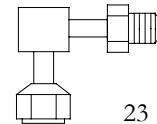
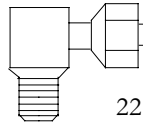
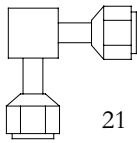


3.1.4 FITTINGS, TEE



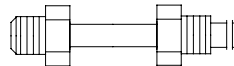
Item	Part Number	Description
17	40-62019-01	Fitting, Tee, #8 F.O-Ring X #8 M.I.O-Ring X #8 M.I.O-Ring
	40-62019-02	Fitting, Tee, #12 F.O-Ring X #12 M.I.O-Ring X #12 M.I.O-Ring
	40-62019-03	Fitting, Tee, #12 F.O-Ring X #12 M.I.O-Ring X #10 M.I.O-Ring
18	40-62043-00	Fitting, Tee, #12 M.O-Ring (Swivel Nut) X #12 F.I.O-Ring X #10 F.I.O-Ring
19	40-62058-00	Block, Fitting, #10 M.I.O-Ring X #10 M.I.O-Ring X #12 M.I.O-Ring
20	40-62070-00	Block, Fitting, (Liquid) #6 M.I.O-Ring, (For 2003 Sprinter)
	40-62071-00	Block, Fitting, (Suction) #10 M.I.O-Ring, (For 2003 Sprinter)

3.1.5 FITTING, SWIVEL UNIONS



Item	Part Number	Description
21	AC301-441	Fitting, 90°, 1/2 Inch Female Flare X 1/2 inch Female Flare
22	AC302-450	Fitting, 90°, 5/8 Inch Male Flare X 1/2 inch Female O-Ring
23	AC301-452	Fitting, 90°, 1/2 Inch Female Flare X 1/2 inch Male Flare
	AC301-453	Fitting, 90°, 5/8 Inch Female Flare X 5/8 inch Male Flare

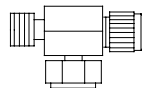
3.1.6 FITTING, FLARE TO O-RING



24

Item	Part Number	Description
24	AC301-459	Fitting, Straight, 3/8 Inch Male O-Ring X 3/8 inch Male Flare

3.1.7 FITTING, TUBE-O, R134a

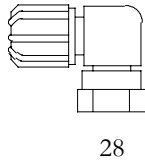
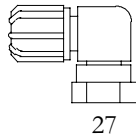
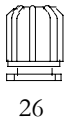


25

Item	Part Number	Description
25	AC302-453	Fitting, Tube-O X 1/2 Inch O-Ring with Access (R134a)
	AC302-454	Fitting, Tube-O X 5/8 Inch O-Ring with Access (R134a)

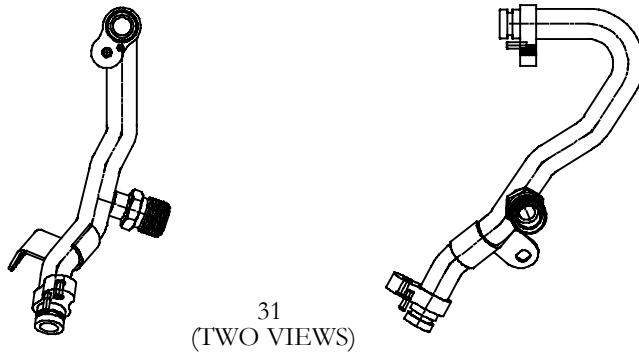


3.1.8 FITTING, ADAPTER AND CAP



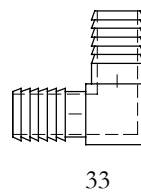
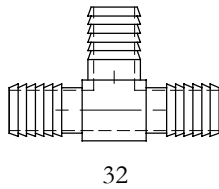
Item	Part Number	Description
26	40-60042-01	Fitting, Brass, Straight, (High-Side Tap R-12 to R-134a)
27	AC302-441	Fitting, Brass, 90°, (High-Side Tap R-12 to R-134a) (40-62116-00)
28	AC302-440	Fitting, Brass, 90°, (Low-Side Tap R-12 to R-134a) (40-62117-00)
29	40-00520-02	Fitting, Cap, Low-Side (R134a - M8 X1) Red or Black
30	40-00520-03	Fitting, Cap, High-Side (R134a - M10 X1) Blue or Black

3.1.9 FITTING, SUCTION (SPRINTER)



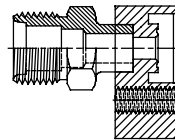
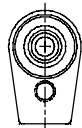
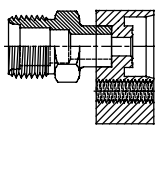
Item	Part Number	Description
31	40-62099-00	Fitting, Suction (Sprinter)

3.1.10 FITTINGS - BRONZE & BRASS - MISC.:



Item	Part Number	Description
32	40-62095-00	Fitting, Hose, Tee, Bronze, 1 Inch Heater Hose
33	40-62096-00	Fitting, Hose, Elbow, Bronze, 1 Inch Heater Hose

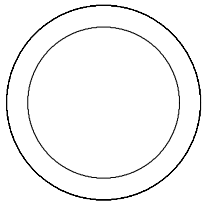
3.1.11 FITTINGS -BLOCK ASSEMBLY



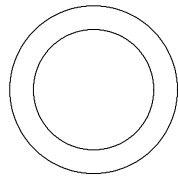
Item	Part Number	Description
34	Y27-00186-00	Fitting, 8MM MSF x #8 MIOR (Liquid @ B Pillar), 2015 Ford Transit
35	Y27-00186-01	Fitting, 5/8" MSF x #10 MIOR (Suction @ B Pillar), 2015 Ford Transit



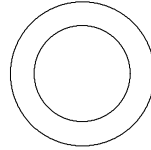
3.1.12 "O"-RINGS, HNBR



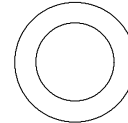
5



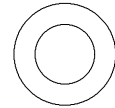
4



3



2



1

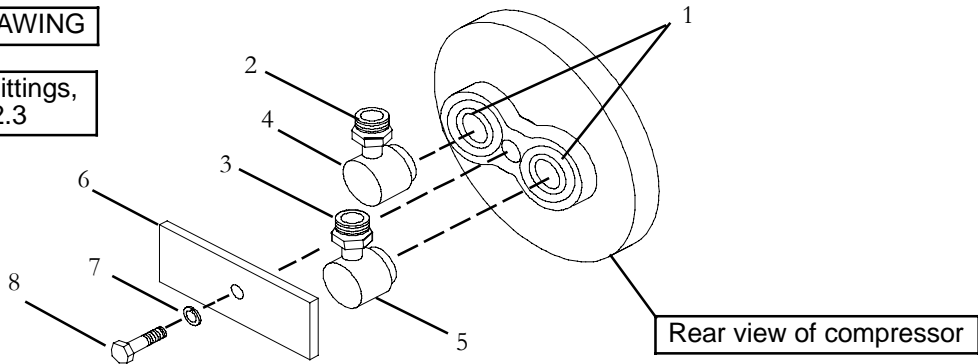
Item	Part Number	Description
1	AC801-201	O-Ring, Inch, HNBR, .301 I.D.
2	AC801-202	O-Ring, 1/2 Inch, HNBR, .426 I.D.
3	AC801-203	O-Ring, 5/8 Inch, HNBR, .551 I.D.
4	AC801-207	O-Ring, HNBR, .556 I.D.
5	AC801-217	O-Ring, HNBR, .676 I.D.
6	AC801-222	O-Ring, HNBR, Seltec/Sanden Manifold
7	42-00243-21	O-Ring, HNBR, A-6 Replacement, .796 I.D.

SECTION 3.2 COMPRESSOR FITTING KITS

3.2.1 INSTALLATION INSTRUCTIONS FOR COMPRESSORS WITH GM STYLE PORTS ON REAR

INSTALLATION DRAWING

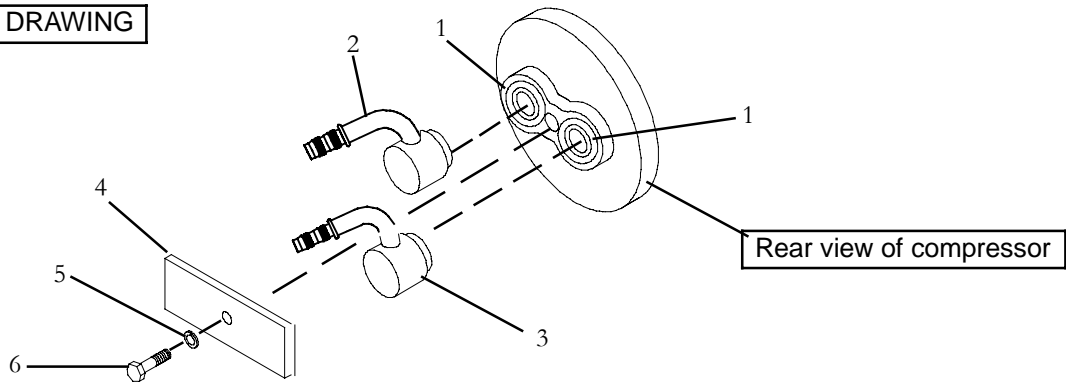
For Hose Interface Fittings,
Refer To Section 3.2.3



Item	Part Number	Description
1	AC801-222	O-Ring, HNBR, Seltec/Sanden Manifold
	42-00243-21	O-Ring, HNBR, A-6 Replacement, .796 I.D.
2	AC801-202	O-Ring, 1/2 Inch, HNBR, .426 I.D.
3	AC801-203	O-Ring, 5/8 Inch, HNBR, .551 I.D.
5	40-62008-03	Fitting, Block, GM, 90 X #8 M.I.O.
	40-62008-04	Fitting, Block, GM, 90 X #10 M.I.O.
	40-62008-05	Fitting, Block, GM, 90 X #12 M.I.O.
6	68-62139-00	Plate, Fitting Lock
7	34-00945-10	Washer, Split Lock, 10MM
8	NSI	Bolt, Hex Head, 10MM-1.50P X 50MM Grade 10.9 (A-6 Only)
	NSI	Bolt, Hex Head, 10MM-1.50P X 55MM Grade 10.9 (Seltec & Sanden Only)

3.2.2 INSTALLATION INSTRUCTIONS FOR COMPRESSORS WITH GM STLE PORTS (FlexCLIK MANIFOLD FITTINGS)

INSTALLATION DRAWING



Item	Part Number	Description
1	AC801-222	O-Ring, HNBR, Seltec/Sanden Manifold
	42-00243-21	O-Ring, HNBR, A-6 Replacement, .796 I.D.
2	40-62136-51	Fitting Kit, Block, GM, 90 Degree X #12 FlexCLIK Hose
3	40-62136-50	Fitting Kit, Block, GM, 90 Degree X #10 FlexCLIK Hose
4	68-62139-00	Plate, Fitting Lock
5	34-00945-10	Washer, Split Lock, 10MM
6	NSI	Bolt, Hex Head, 10MM-1.50P X 50MM Grade 10.9



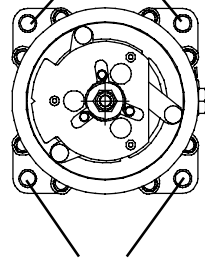
3.2.3 COMPRESSOR TO REFRIGERANT HOSE, INTERFACE FITTINGS		
1	AC301-419	Fitting, 90 Degree, 1/2 Inch Female O-Ring X #10 Beadlock Hose
2	AC302-432	Fitting, 90 Degree, 5/8 Inch Female O-Ring X #12 Beadlock Hose
3	AC302-436	Fitting, Straight, With Access #12 X #12 Beadlock Hose
4	AC302-437	Fitting, Straight, With Access #10 X #10 Beadlock Hose
5	AC302-494	Fitting, 90 Degree, 1/2 Inch Female O-Ring X #10 Beadlock Hose W/Access
6	AC302-495	Fitting, 90 Degree, 5/8 Inch Female O-Ring X #12 Beadlock Hose W/Access
7	AC301-447	Fitting, Straight, 1/2 Inch Female O-Ring X #10 Beadlock Hose
8	AC302-459	Fitting, Straight, 5/8 Inch Female O-Ring X #12 Beadlock Hose
9	40-64075-53	Fitting Kit, 90 Degree, 1/2 Inch Female O-Ring X #10 FlexCLIK Hose
10	40-64075-55	Fitting Kit, 90 Degree, 5/8 Inch Female O-Ring X #12 FlexCLIK Hose
11	40-64115-51	Fitting Kit, Splicer With Access, #12 X #12 FlexCLIK Hose
12	40-64115-50	Fitting Kit, Splicer With Access, #10 X #10 FlexCLIK Hose
13	40-62103-50	Fitting Kit, 90 Degree, 1/2 Inch Female O-Ring X #10 FlexCLIK Hose W/Access
14	40-62103-55	Fitting Kit, 90 Degree, 5/8 Inch Female O-Ring X #12 FlexCLIK Hose W/Access

SECTION 4 - COMPRESSORS

COMPRESSOR IDENTIFICATION

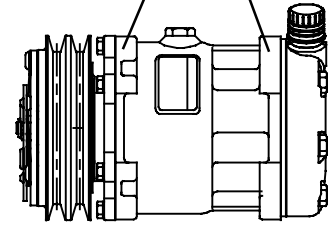
4.1 MOUNTING IDENTIFICATION

Mounting Holes



Mounting Holes

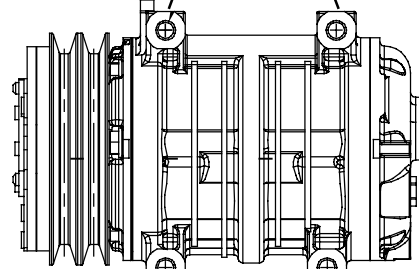
Mounting Holes



(Side View Reference Only)

EAR MOUNT VERSION

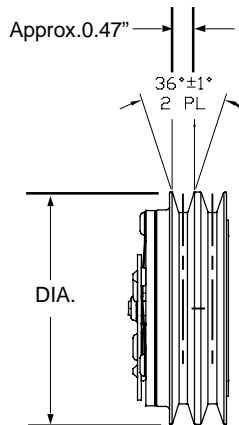
Mounting Holes



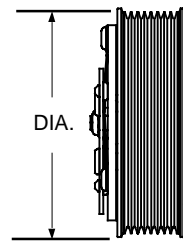
Mounting Holes

DIRECT MOUNT VERSION

4.2 CLUTCH IDENTIFICATION



2 A Groove Pulley

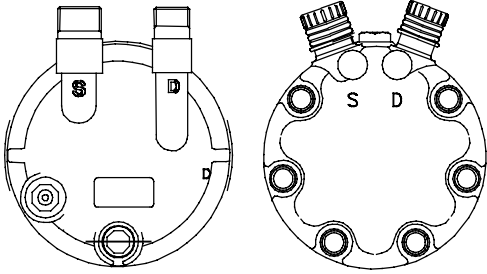


Poly- V Groove Pulley
6,8 & 10 Groove

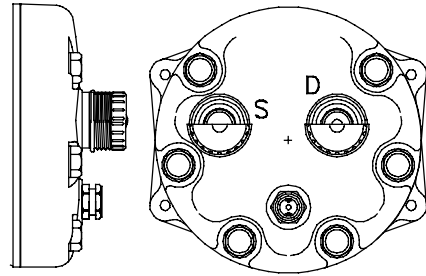
NOTE: Clutch assembly kits are specific to pulley diameter and clutch coil voltage of 12 VDC or 24 VDC

COMPRESSOR IDENTIFICATION

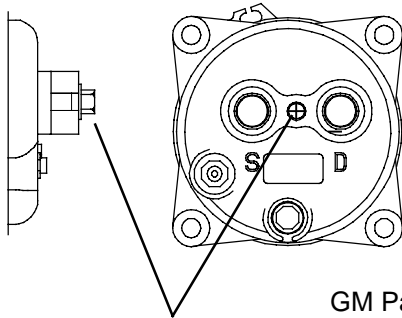
4.3 MANIFOLD IDENTIFICATION



Vertical O- Ring Fittings

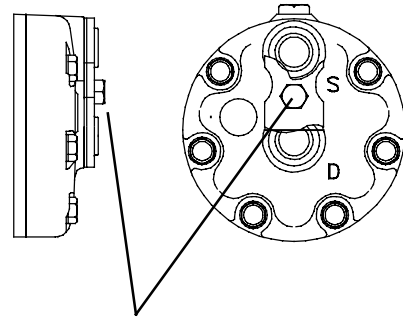


Horizontal O- Ring Fittings



GM Pad Mount Fittings

(Fittings are secured by a Manifold with Single Bolt in the Center)





4.4 SANDEN, SD-508, (R12)



Part Number	Description
AC501-249A	Compressor, SD-508, 12 VDC, (7) Gr. Poly-V, Ear Mount., Horizontal Tube-O (9570)

4.5 SANDEN, SD-709, (R12)



AC501-226A	Compressor, SD-709, (6) Gr. Poly-V, Direct Mt, Vertical O-Ring, (7416)
AC501-252A	Compressor, SD-709, (6) Gr. Poly-V, 12 VDC, Ear Mount, Vertical Tube-O (7427)

THE LETTER "A" OR "B" AT END OF THE PART # (EX. AC501-224A) MEANS THAT THE COMPRESSOR IS SUPPLIED WITH FITTINGS AND O-RINGS



4.6 SANDEN, SD-709 (R12 & R134a)



AC501-236	Field Coil, Clutch, 24 VDC, SD-709 and SD-7H15
AC501-247	Clutch Assembly, (6) Groove, 12 VDC, Poly-V, SD-709
AC501-257	Kit, Seal, SD-709 (R-22)

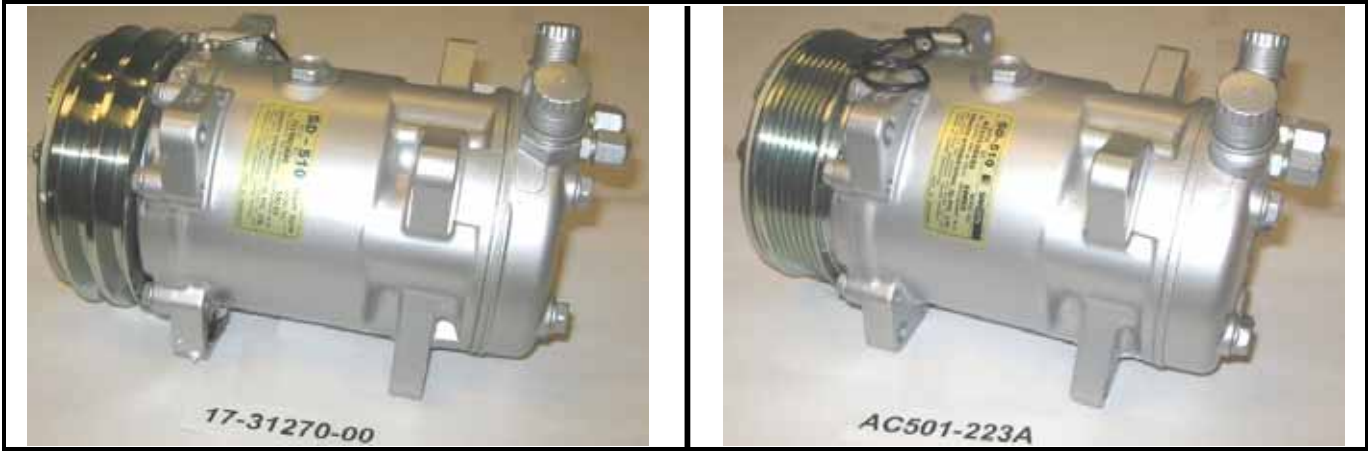


THE LETTER "A" OR "B" AT END OF THE PART # (EX. AC501-224A) MEANS THAT THE COMPRESSOR IS SUPPLIED WITH FITTINGS AND O-RINGS



4.7 SANDEN, SD-510, (R12)

AC501-248	Compressor, SD-510, 12 VDC, (2) "A" Gr., Vertical O-Ring, (9137)
AC501-223A	Compressor, SD-510, 12 VDC, (7) Gr., Ear Mount, Vertical O-Ring, (9663) With Fittings





4.8 SANDEN, SD-7H15, (R134a)



AC501-282A	Compressor, SD-7H15, (2) "A" Gr.132mm, Direct Mt., Vert. O-Ring, 12 VDC, (4626) W/Fittings
AC501-289A	Compressor, SD-7H15, (8) Gr. Poly-V, 12 VDC, Ear Mount H.Tube-O, (7822), W/90 Deg. Ftg
AC501-298A	Compressor, SD-7H15, (8) Gr. Poly-V, 119mm, 12 VDC, Direct Mt, Hor. O-Ring, W/Ftgs (4666)
18-00093-00	Compressor, SD-7H15-SHD, (2) "A" Grv.125mm, 12VDC, Ear Mount, 3/4 In. X 7/8 In. Vert. O-Ring, (supersede to 18-00093-07)
18-00093-01	Compressor, SD-7H15-SHD, (2) "A" Grv. 125mm,12 VDC, Ear Mount, GM Pad Fitting, (4708)
18-00093-14	Compressor, SD-7H15-SHD, (2) "A" Grv. 125 mm,12 VDC, Direct Mount, GM Pad Fitting, (4419)
18-00093-15	Compressor, SD-7H15-SHD, (2) "A" Grv. 125 mm,12 VDC, Ear Mount, GM Pad Fittings W/Connections
18-00093-16	Compressor, SD7H15 EHC, 10 Grv., Poly-V123 mm, 12VDC, Direct Mount, GM Pad Fitting (4034)



THE LETTER "A" OR "B" AT END OF THE PART # (EX. AC501-224A) MEANS THAT THE COMPRESSOR IS SUPPLIED WITH FITTINGS AND O-RINGS



4.9 SANDEN SD-7H15 SHD, PARTS

AC501-285	Head, Cylinder, With Gasket, Horizontal O-Ring, SD-7H15
AC501-286	Head, Cylinder, With Gasket, Vertical O-Ring, SD-7H15



4.10 SELTEC, TM-15, (R12)



AC501-270A	Compressor, TM-15, (2) "A" Gr., 12 VDC, Horizontal Tube-O
AC501-271A	Compressor, TM-15, (2) "A" Gr., 12 VDC, Ear Mount, Vertical O-Ring, With Fittings
AC501-273A	Compressor, TM-15, (8) Gr. Poly-V, 12 VDC, Ear Mount, Vertical O-Ring, With Fittings

THE LETTER "A" OR "B" AT END OF THE PART # (EX. AC501-224A) MEANS THAT THE COMPRESSOR IS SUPPLIED WITH FITTINGS AND O-RINGS



4.11 SELTEC, TM-15, (R134a)



AC501-266A Compressor, TM-15, (2) "A" Grv., 12 VDC, Ear Mount, Horizontal Tube-O, With Fittings

AC501-267A Compressor, TM-15, (2) "A" Grv., (125mm), 12 VDC, Ear Mount, Vertical O-Ring, With Fittings
(Supersede to 18-00093-07)



AC501-268A Compressor, TM-15, (6) Grv. Poly-V, 12 VDC, Direct Mt., Vertical O-Ring, With Fittings



AC502-208A Compressor, TM-15, (8) Grv. Poly-V, 12 VDC, Ear Mount, Horizontal Tube-O W/Ftgs.

AC502-209A Compressor, TM-15, (8) Grv. Poly-V, 12 VDC, Ear Mount, Vertical Tube-O W/Ftgs
(Supersede to AC502-209Z)

Y61-T1501-00 Compressor, TM-15, (8) Grv. Poly-V, 119mm, 12 VDC, Ear Mount, Vertical Tube-O, W/O Fittings



4.12 SELTEC, TM-15, (R134a) - Continued:



AC502-215A Compressor, TM-15, (2) "A" Grv., 125 mm, 12 VDC, Ear Mount, (Without Manifold - Without Fittings)

4.13 SELTEC, TM-16 & TM-16HS, (R134a)



18-00093-05 Compressor, TM-16, (8) Grv., Poly-V, 12 VDC, Ear Mount, Vertical O-Ring, Monolithic Head, (was AC502-210)



18-00093-07 Compressor, TM-16, (2) "A" Grv., 12 VDC, Ear Mount, Vert.O-Ring, Monolithic Head (125MM), (was AC502-220)

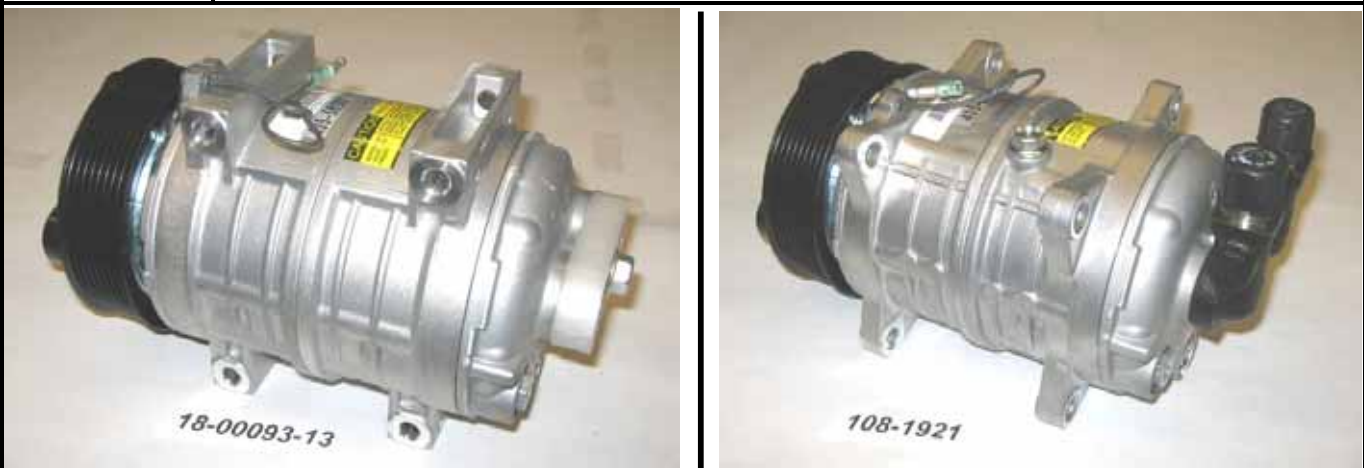
18-00093-09 Compressor, TM-16, (8) Grv., Poly-V, 12 VDC, Ear Mount, Pad Fittings, Monolithic Head, (was 18-00074-35)



4.13 SELTEC, TM-16 & TM-16HS, (R134a) - Continued:



18-00093-06	Compressor, TM-16HS (8) Grv., Poly-V, 24 VDC, Ear Mount, 3/4" O-Ring & 7/8" O-Ring (V.O.R. Head)
18-00093-07	Compressor, TM-16HS (2) "A" Grv., 12 VDC, Ear Mount, 3/4" O-Ring & 7/8" O-Ring (V.O.R. Head)
18-00093-09	Compressor, TM-16HS (8) Grv., Poly-V, (123 mm), 12 VDC, Ear Mount, GM Pad Fittings Monolithic Head
18-00093-10	Compressor, TM-16HS (8) Grv., Poly-V, (123 mm), 24 VDC, Ear Mount, GM Pad Fittings Monolithic Head
18-00093-11	Compressor, TM-16HS (2) "A" Grv., (125mm), 12 VDC, Ear Mount, GM Pad Fittings, Monolithic Head, (Was 18-00074-36)
18-00093-12	Compressor, TM-16HS (2) "A" Grv., (125 mm), 24 VDC, Ear Mount, GM Pad Fittings Monolithic Head



18-00093-13	Compressor, TM-16HS (8) Grv., Poly-V, (123mm), 12 VDC, Direct Mount, GM Pad Fittings
18-00093-17	Compressor, TM-16HS (6) Grv., Poly-V, 12 VDC, Ear Mount, Vertical "O"-Ring, 3/4"-7/8" Pad Fitting
108-1921Z	Compressor, TM-16, (8) Grv., Poly-V, 12 VDC, Vertical "O" Ring



4.14 QUE COMPRESSORS (Alternative Compressor for Valeo TM16 Line)

QUE Compressors (Alternative Compressor for Valeo TM16 Models)		
QUE Part #	TM16 Part #	Description
Y61-Q1601-00	18-00093-13	Compressor, (8) Grv., Poly-V, (119mm),12 VDC, Direct Mount, GM Pad Fittings
Y61-Q1601-01	18-00093-09	Compressor, (8) Grv., Poly-V, (119 mm), 12 VDC, Ear Mount, GM Pad Fittings Monolithic Head
Y61-Q1601-02	18-00093-11	Compressor, (2) “A” Grv., (125mm), 12 VDC, Ear Mount, GM Pad Fittings, Monolithic Head
Y61-Q1601-03	18-00093-05	Compressor, (8) Grv., Poly-V, (119mm), 12 VDC, Ear Mount, 3/4” O-Ring & 7/8” O-Ring (V.O.R. Head)
Y61-Q1601-04	18-00093-07	Compressor, (2) “A” Grv., (125mm), 12 VDC, Ear Mount, 3/4” O-Ring & 7/8” O-Ring (V.O.R. Head)



4.15 SELTEC, TM-15/16 PARTS (Replaces DK-15 Diesel Kiki Parts)



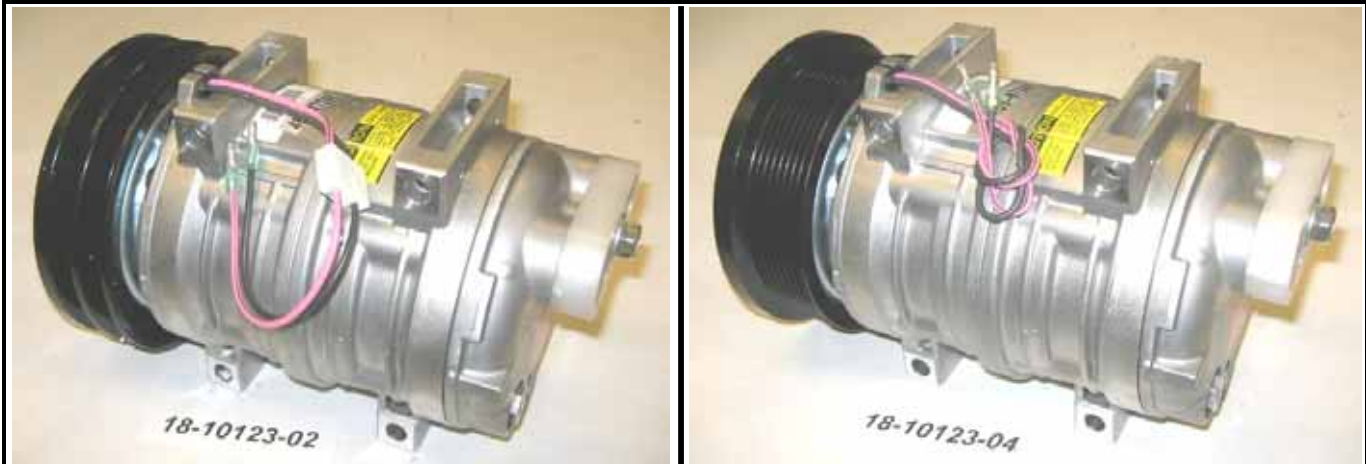
AC501-291	Clutch, Assembly, TM-15/16, (8) Gr. Poly-V, 12 VDC (Splined Shaft)
AC501-292	Clutch, Assembly, TM-15, (2) "A" Gr., (125mm) 12 VDC
50-60135-00	Clutch, Assembly, TM-15/16, (2) "A" Gr., (135mm) 12 VDC
42-60023-00	O-Rings For Bolt On Manifold, TM-08 Thru TM-16 (S/S to AC801-222)



17-31307-00	Coil, Clutch, 12 VDC, (TM-15/16) 4 Inch O.D.
-------------	--



4.16 SELTEC, TM-21HX, (R134a)



18-10123-00	Compressor, TM-21-HX, (8) Grv., Poly-V, 12 VDC, (137MM), Direct Mount, GM Pad Fitting
18-10123-02	Compressor, TM-21-HX, (2) "A" Grv., 12 VDC, (145MM), Direct Mount, GM Pad Fitting
18-10123-04	Compressor, TM-21-HX, (8) Grv., Poly-V, 12 VDC, (127MM), Direct Mount, GM Pad Fitting (Superseded to 18-10123-08)
18-10123-06	Compressor, TM-21-HX, 6 Grv., Poly-V, 12VDC, (137mm), Direct Mount, GM Pad Fitting
18-10123-07	Compressor, TM-21-HX, 10 Grv., Poly-V, (141MM),12VDC, Direct Mount, GM Pad Fitting
18-10123-08	Compressor, TM-21-HX, 8 Grv., Poly-V, (127MM),12VDC, Direct Mount, GM Pad Fitting
18-10123-09	Compressor, TM-21-HX, (2) A Grv., (145MM),12VDC, Direct Mount, GM Pad Fitting
50-50074-00	Clutch, 12 VDC, Poly-V 8-Groove, 141 MM
50-50076-00	Coil, Clutch, 12VDC

4.17 QUE COMPRESSORS (Alternative Compressor for Valeo TM21 Line)

QUE Compressors (Alternative Compressor for Valeo TM21 Models)		
QUE Part #	TM21 Part #	Description
Y61-Q2101-00	18-10123-00	Compressor, (8) Grv., Poly-V, (137mm),12 VDC, Direct Mount, GM Pad Fittings, no diode in clutch wire
Y61-Q2101-01	18-10123-07	Compressor, (10) Grv., Poly-V, (141 mm), 12 VDC, Direct Mount, GM Pad Fittings
Y61-Q2101-02	18-10123-08	Compressor, (8) Grv., Poly-V, (127mm), 12 VDC, Direct Mount, GM Pad Fittings
Y61-Q2101-03	18-10123-09	Compressor, (2) "A"Grv., (145mm), 12 VDC, Direct Mount, GM Pad Fittings
Y61-Q2101-04	18-10123-06	Compressor, (6) Grv., Poly-V, (137mm), 12 VDC, Direct Mount, GM Pad Fittings



4.18 SELTEC, TM-26, (R12)

AC501-218	Compressor, TM-26, (2) "A" Gr., 12 VDC, Horiz. Flow - (Supersedes to 17-31244-00 (TM-31))
AC501-218A	Compressor, TM-26, (2) "A" Gr., 12 VDC, Horiz. Flow - (Supersedes to 17-31244-00 (TM-31))

THE LETTER "A" OR "B" AT END OF THE PART # (EX. AC501-224A) MEANS THAT THE COMPRESSOR IS SUPPLIED WITH FITTINGS AND O-RINGS

4.19 SELTEC, TM-26, (R134a)

AC501-277A	Compressor, TM-26, (2) "A" Gr., 12 VDC, Horizontal O-Ring (Supersedes to 17-31244-00)
AC501-277B	Compressor, TM-26, (2) "A" Gr., 12 VDC, Horizontal O-Ring, (Str. Ftgs.) (Supersedes to 17-31244-00)
AC502-213A	Compressor, TM-26, (8) Gr. Poly-V, 12 VDC, Horizontal O-Ring (Supersedes to 18-60012-11)

THE LETTER "A" OR "B" AT END OF THE PART # (EX. AC501-224A) MEANS THAT THE COMPRESSOR IS SUPPLIED WITH FITTINGS AND O-RINGS AS A KIT

4.20 SELTEC, TM-26 PARTS



AC501-221	Pulley, Clutch, (2) "A" Groove, With (Armature) Plate
AC501-253	Shaft Seal,Kit, Carbon Type
AC051-1173	Clutch, Assembly, (8) Gr. Poly-V, With (Armature) Plate, (No Coil)



4.21 SELTEC, TM-31, (R134a)



17-31244-00	Compressor, TM-31, (2) "A" Gr., 12 VDC, Direct Mount, Horizontal O-Ring
18-60012-09	Compressor, TM-31, (2) "B" Gr., 12 VDC, Direct Mount, Horizontal O-Ring (Supersede to Y61-Q3101-00)
17-31248-00	Compressor, TM-31, (8) Gr. Poly-V, 12 VDC, Direct Mount, Horizontal O-Ring, (Superseded to 18-60012-11)

4.22 QUE COMPRESSORS (Alternative Compressor for Valeo TM31 Line)

QUE Compressors
(Alternative Compressor for Valeo TM31 Models)

QUE Part #	TM31 Part #	Description
Y61-Q3101-00	18-60012-09	Compressor, (2) "B" Gr., 12 VDC, Direct Mount, Horizontal O-Ring,

4.23 SELTEC, TM-31 PARTS



17-31262-00	Clutch Assembly, TM-31, (8) Gr. Poly-V, 158mm, 5 Eye, 12 VDC
-------------	--



4.24 YORK COMPRESSORS & PARTS



AC501-201A

AC501-201A Compressor, York, EF-210, (2) "A" Gr., 12 VDC, Horizontal Flow

THE LETTER "A" OR "B" AT END OF THE PART # (EX. AC501-224A) MEANS THAT THE COMPRESSOR IS SUPPLIED WITH FITTINGS AND O-RINGS

4.25 ALMA, A-6, (R134a)



18-00073-01

AC502-216 Compressor, A-6, (1) "A" Gr., 12 VDC

18-00073-00 Compressor, A-6, 6 Groove Poly-V, 12 VDC

18-00073-01 Compressor, A-6, 8 Groove Poly-V, 12 VDC



4.26 ALMA, A-6 PARTS



50-50062-00 Clutch Armature (Driver) & Key



50-50070-00 Clutch Assembly, 8 Groove Poly-V, 12 VDC, 4.81 Inch O.D.



50-50072-00 Clutch Assembly, 6 Groove Poly-V, 12 VDC, 5.5 Inch O.D.

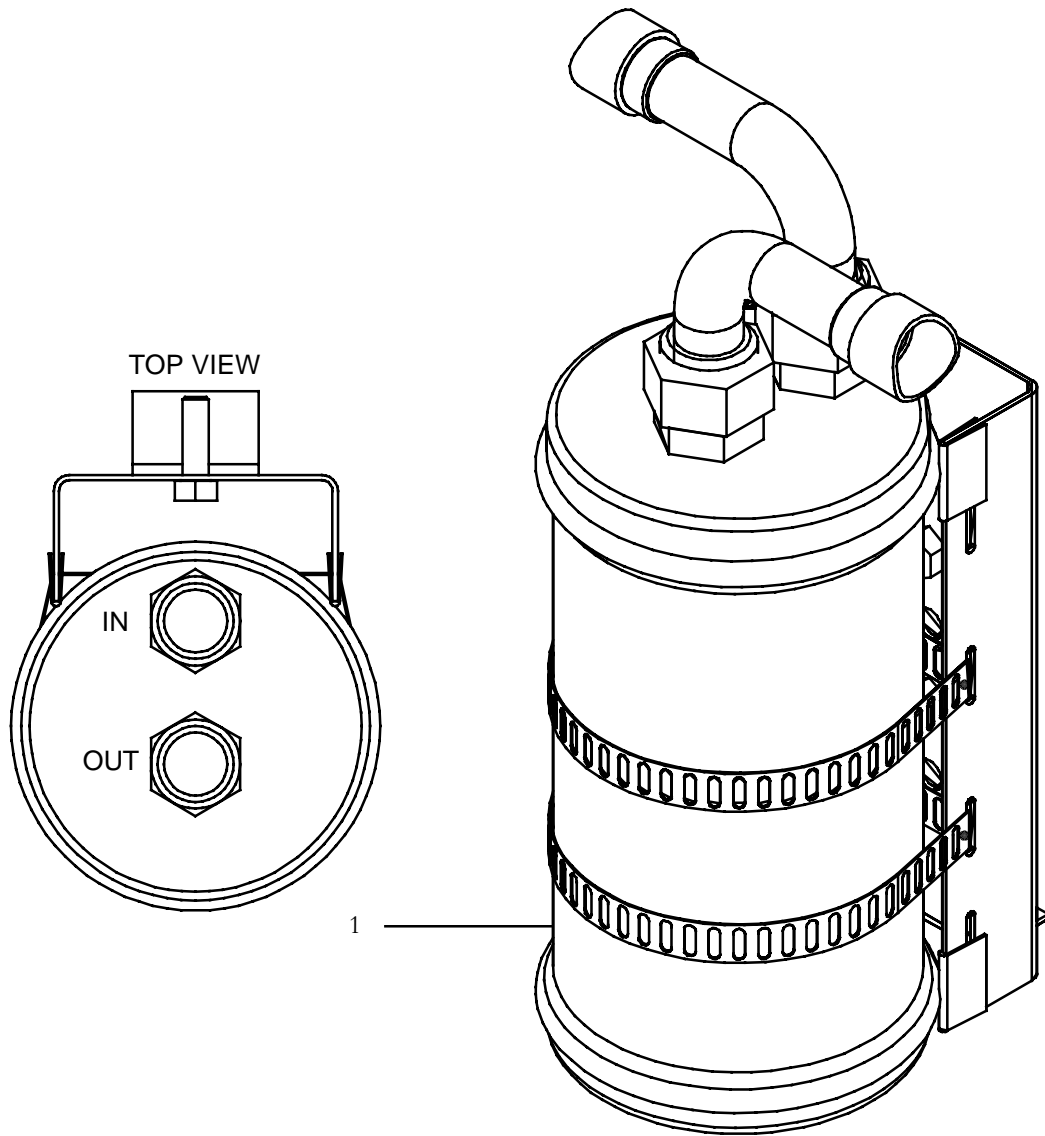
4.27 OIL - COMPRESSOR

46-50004-00 ISO 150 PAG For Alma Products A6 Compressors Using R-134a (250CC Metal Can)

46-50006-00 ISO 46 PAG For Seltec TM-15, 16, 21 & 31 and Sanden SD7 (1Quart Metal Can)



4.28 SUCTION LINE ACCUMULATOR

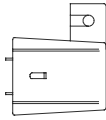


Item	Part Number	Description	Qty
1	65-62004-00	Accumulator, Suction Line	1

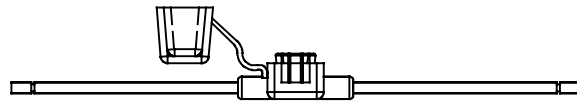


SECTION 5 - ELECTRICAL

5.1 FUSE AND FUSE HOLDERS



ATC Fuse Holder

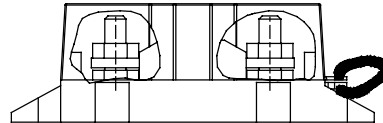


JCASE Fuse Holder

Part Number	Description
22-02336-06	Fuse, 15 AMP, ATC
22-62328-00	Fuse, 40 AMP, JCASE
22-62328-01	Fuse, 30 AMP, JCASE
22-62328-02	Fuse, 25 AMP, JCASE
22-62328-03	Fuse, 20 AMP, JCASE



Mega - Series
22- 02336- 15 or 31

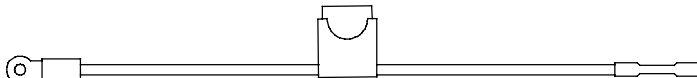


Mega - Series
22-02898-00

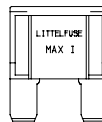
22-62119-00	Assembly, Fuse Holder, 10 AMP/ ATC-Series
22-62119-01	Assembly, Fuse Holder, 15 AMP/ ATC-Series
22-62119-02	Assembly, Fuse Holder, 20 AMP/ ATC-Series
22-02336-02	Fuse, 5 AMP/ ATC-Series
22-02336-04	Fuse, 10 AMP/ ATC-Series
22-02336-06	Fuse, 14 AMP/ ATC-Series
22-02336-01	Fuse, 20 AMP/ ATC-Series
22-02338-02	Fuse Holder, #16 AWG Stranded, (In-Line ATC Series)
22-62110-00	Fuse Holder, With Cover, (In-Line Maxi Series)
22-02898-00	Fuse Holder, With Cover (Mega- Series) Surface Mount
22-02336-15	Fuse, 150 AMP/ Mega- Series
22-02336-31	Fuse, 100 AMP/ Mega- Series
22-02336-17	Fuse, 60 AMP/ Maxi- Series



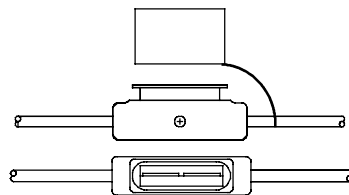
22- 02338



22- 62119
ATC - Series



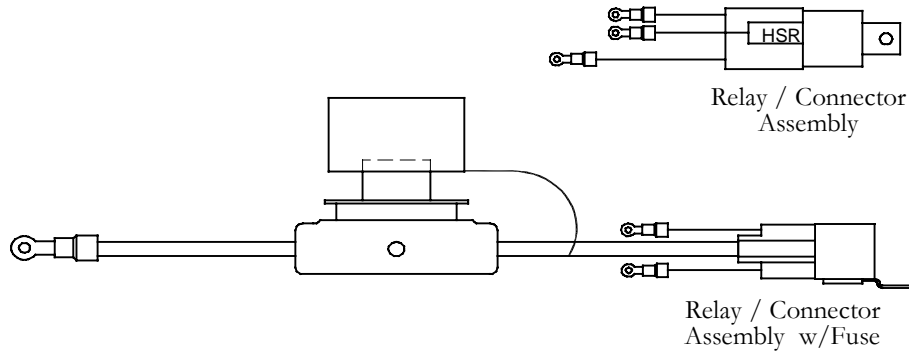
Maxi - Series
22- 02336- 17



Maxi - Series
22-62110-00

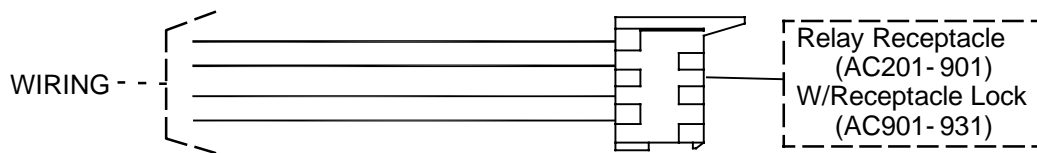


5.2 RELAY ASSEMBLIES, 70 Amp



Part Number	Description
22-62210-00	Relay/Connector Assembly, (HSR), (With Wiring) - Includes:
Y25-00089-00	Relay, 70 Amp (12VDC)
22-62210-02	Connector/Wiring Assembly, (HSR), (Less Relay) - Includes:
22-50078-18	Connector, Relay
NSI	Label, HSR (High Speed Relay)
22-62210-01	Relay/Connector Assembly, (HSR), With Wiring & Fuse- Includes:
Y25-00089-00	Relay, 70 Amp (12VDC)
22-62210-03	Connector/Wiring/Fuse Holder Assembly, (HSR), (Less Relay) - Includes:
22-50078-18	Connector, Relay
22-62110-00	Fuse Holder, With Cover
22-02336-17	Fuse, 60 Amp
NSI	Label, HSR (High Speed Relay)
22-62210-04	Relay/Connector Assembly, (CR), With Wiring, - Includes:
Y25-00089-00	Relay, 70 Amp (12VDC)
22-62210-05	Relay/Connector Assembly, (MSR), With Wiring, - Includes:
Y25-00089-00	Relay, 70 Amp (12VDC)

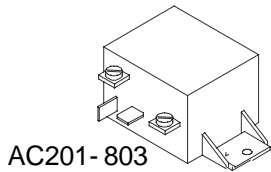
5.3 RELAY CONNECTOR ASSEMBLIES, (40/50 Amp)



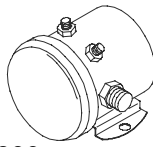
Part Number	Description
AC201-922	Connector Assembly, High Speed Relay, 4 Prong
22-62238-00	Connector Assembly, Medium Speed Relay, 4 Prong
22-62238-01	Connector Assembly, Low Speed Relay, 4 Prong
22-62238-02	Connector Assembly, Clutch Relay, 4 Prong
22-62238-03	Connector Assembly, Condenser Relay, 4 Prong



5.4 RELAYS - SOLENOIDS



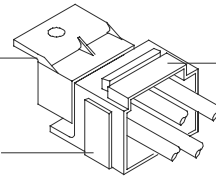
AC201-803



AC201-800

10-00286-00
RELAY

AC201-901
CONNECTOR

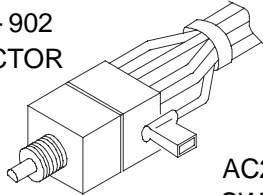


AC201-931
LOCK

Part Number	Description
AC201-800	Contactora, Solenoid, 12 VDC, 70 AMP (With Nuts & Washers)
AC201-803	Contactora, Solenoid, 24 VDC, 50 AMP
AC201-804	Relay, 5 Prong, 24 VDC, 30 AMP
AC201-805	Solenoid, Choke, 12VDC
AC201-812	Contactora, Relay, 12 VDC, 20/30 AMP
10-00286-00	Relay, 4 Prong, 12 VDC, 40 AMP, With Bracket
10-00286-03	Relay, 5 Prong, 12 VDC, 30 AMP, With Bracket
10-00286-09	Relay, 5 Prong, 24 VDC, 40 AMP, No Bracket
10-00286-12	Relay, 5 Prong, 24 VDC, 40 AMP, No Bracket
10-00286-14	Relay, 5 Prong, 12 VDC, 50 AMP, With Bracket, (Arc Suppression Diode)
Y25-00001-05	Relay, 5 Prong, 12 VDC, 50 AMP, No Bracket
10-00286-15	Relay, 5 Prong, 12 VDC, 40 AMP, With Bracket, (Arc Suppression Diode)
Y25-00089-00	Relay, 4 Prong, 12 VDC, 70 AMP, With Bracket

5.5 SWITCHES

AC201-902
CONNECTOR



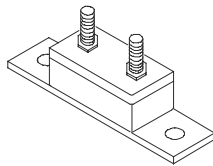
AC201-305
SWITCH

NOTE:
USE AC201-902 CONNECTOR
WITH AC201-305

Part Number	Description
AC201-302	Switch, Toggle, SPDT, (ON-OFF-ON)
AC201-303	Switch, Toggle, SPST, (OFF-ON)
AC201-305	Switch, Rotary, Heavy Duty, (Double Nuts)



5.6 CIRCUIT BREAKER



CIRCUIT BREAKER COLOR CODE

20 AMP - YELLOW DOT
 30 AMP - GREEN DOT
 40 AMP - RED DOT
 50 AMP - WHITE DOT

CIRCUIT BREAKER IDENTIFICATION



TYPE III - MANUAL RESET - RESETS WHEN EXTERNAL BUTTON IS PUSHED.



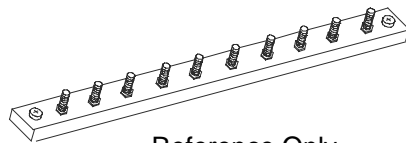
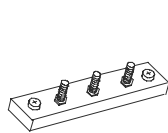
TYPE II - RESETS WHEN OVERCURRENT IS CORRECTED OR REMOVED.



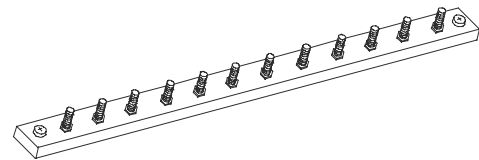
TYPE I - AUTOMATIC RESET CYCLES CONTINUOUSLY.

Part Number	Description
AC201-109	Circuit Breaker, 0.5 AMP, Manual Reset
AC201-121	Circuit Breaker, 20 Amp, Type I
AC201-105	Circuit Breaker, 20 AMP, Manual Reset, Type III
AC201-105-1	Circuit Breaker, 10 AMP, Manual Reset, Type III
AC201-113	Circuit Breaker, 20 Amp, Thermal Reset, (Panel Mount)
AC201-101	Circuit Breaker, 30 Amp, Type II
AC201-106	Circuit Breaker, 30 AMP, Manual Reset, Type III
AC201-119	Circuit Breaker, 40 Amp, Type I
AC201-112	Circuit Breaker, 40 AMP, Manual Reset, Type III
AC201-102	Circuit Breaker, 50 Amp, Type II, (Supersedes to AC201-107)
AC201-107	Circuit Breaker, 50 AMP, Manual Reset, Type III

5.7 TERMINAL BOARDS



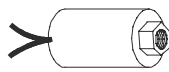
Reference Only



22-02897-00	Terminal Board, 3 Position, 300 VDC, 30 Amp (Replaces 22-01334-00)
22-02897-07	Terminal Board, 10 Position, 300 VDC, 30 Amp (Replaces 22-01334-07)
22-02897-09	Terminal Board, 12 Position, 300 VDC, 30 Amp (Replaces 22-01334-09)
22-02897-11	Terminal Board, 14 Position, 300 VDC, 30 Amp (Replaces 22-01334-11)
22-02897-13	Terminal Board, 16 Position, 300 VDC, 30 Amp (Replaces 22-01334-13)



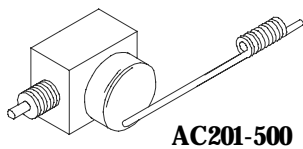
5.8 PRESSURE SWITCHES



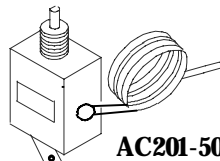
Pressure switch (Female)

Part Number	Description
AC201-400	Switch, High, Female, 350-250 PSI, (GEN-I & GEN-II)
AC201-408	Switch, High, Female, 400-300 PSI
AC201-414	Switch, High, Female, 400-300 PSI, (GEN III & GEN 4)
AC201-404	Switch, Low, Female, 10-25 PSI, (GEN I & GEN II)
AC201-412	Switch, Low, Female, 10-25 PSI, (GEN III & GEN 4)
AC201-409	Switch, Low, Female, 40-80 PSI
AC201-410	Switch, Low, Female, 60 PSI
AC201-403	Switch, Oil Pressure, (DM Series)

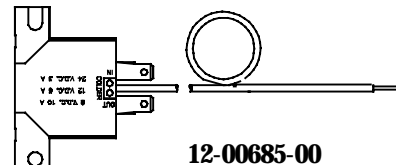
5.9 THERMOSTATS



AC201-500



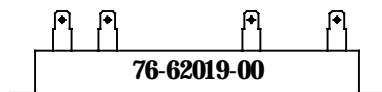
AC201-501



12-00685-00

AC201-500	Thermostat, Air, (With 2 Nuts)
AC201-501	Thermostat, Coil, Insert, (With 2 Nuts)
22-62007-00	Temperature Selector Assembly
12-00685-00	Thermostat, Non-Adjustable, Gen 5

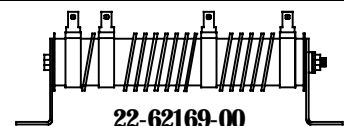
5.10 DIODES-LIGHTS-RESISTORS



76-62019-00



AC201-600



22-62169-00

Part Number	Description
AC201-600	Diode, In line, 6 AMP
AC201-616	Light, LED, Red, 24 VDC
AC201-609	Resistor, 1.6 OHM, 3 Post
AC201-610	Resistor, 2.5 OHM, (For AC401-200 Blower Assembly)
AC201-623	Resistor, 1 OHM, With Bracket, (For AC401-205 Blower Assembly)
76-62019-00	Resistor, Kit, 1.8 OHM, 4 Post, GEN 4 Evaporators, (AC201-611)
22-62169-00	Resistor, 0.815 OHM, 220 Watt, 4 Post, Gen V Evaporators, (3 Speed)

5.11 GAUGES-SENDERS

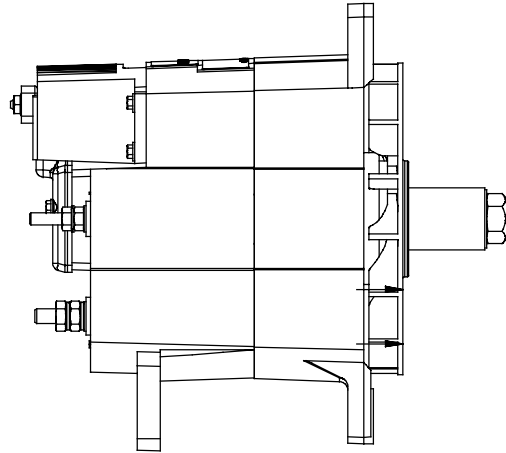
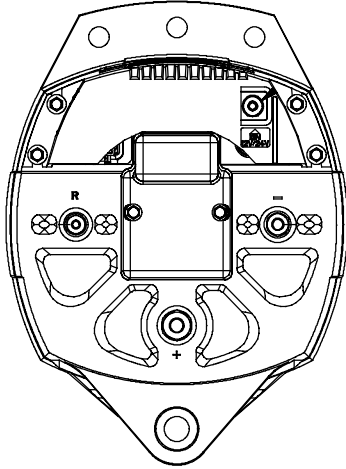
AC201-702	Gauge, Oil Pressure, Round (Cummins)
AC201-706	Gauge, Temperature Switch, Round, (Diesel Engine) (Includes: 3/8 Inch NPT Adapter)
AC201-707	Gauge, Temperature Switch, Round, (Gas Engine)
AC201-703	Sender, Oil Pressure, (Florida Specs.-Cummins)



5.12 HARNESS, ELECTRICAL	
AC201-905	Harness, Condenser Motor
AC201-910	Harness, Condenser, Black Jacket, (Gen IV)
AC201-921	Harness, Evaporator, Gray X Ft.
22-62101-00	Cable, Evaporator, Gen 5 - GSA, Orange Jacket
22-62102-00	Cable, Evaporator, Gen 5 - GSA, White Jacket (NSI)
22-62103-00	Cable, Condenser, Gen 5 - GSA, Red Jacket
5.13 CONNECTORS, ELECTRICAL	
10-50052-00	Block, Junction, Stud-Type, 3/8-16, Black
10-50052-01	Block, Junction, Stud-Type, 3/8-16, Red



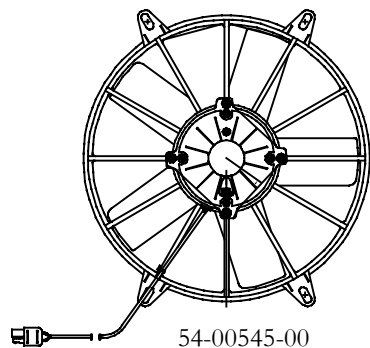
5.14 ALTERNATOR, BATTERYLESS, 24VDC



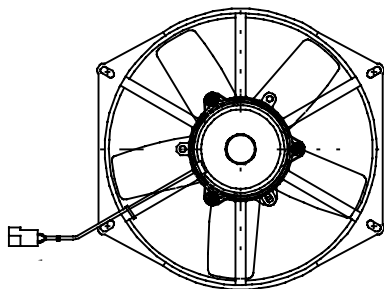
Part Number	Description
30-62004-00	Alternator, 24 VDC Batteryless



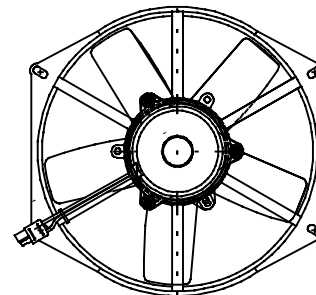
5.15 FAN BLADES AND FAN ASSEMBLIES



54-00545-00

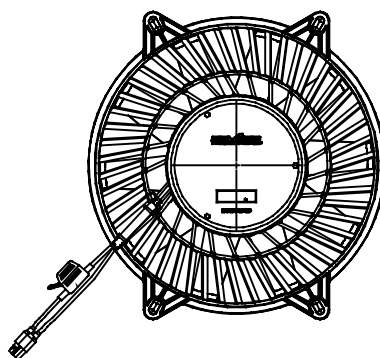
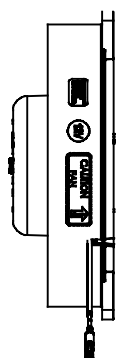


54-00545-01



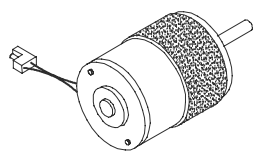
54-00545-02

AC401-100	Blade, Fan, 10 inch, 35, Condenser
AC401-110	Assembly, Fan, Condenser, 11 inch, 12 VDC, (Supersedes to 54-00618-01)
54-00545-00	Assembly, Fan, Condenser, 11 inch, 24 VDC, (SPAL)
54-00618-01	Fan & Motor Assembly, Vector, 12V With 20 Amp Fuse (No Replacement Motor) Includes:
22-02336-25	Fuse, 20 Amp



54-00618-01

5.16 MOTORS

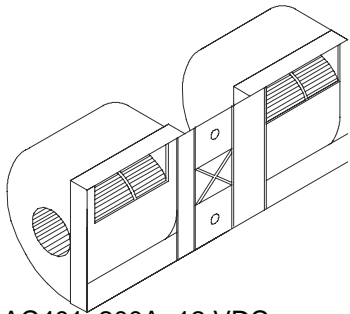


AC501- 102 (12 VDC)
AC501- 103A, (24 VDC)

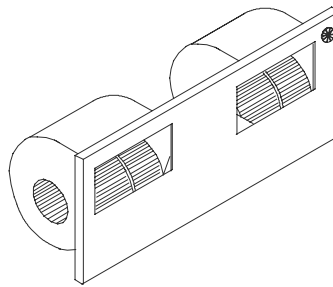
AC501-102A	Motor, Condenser, 12 VDC, 2-1/2 Diameter With Gasket
AC501-103A	Motor, Condenser, 24 VDC, 2-1/2 Diameter With gasket
AC501-122	Motor, Evaporator, 12 VDC, (EM-10 & EM-17) - Includes:
22-50091-00Brush, Motor
04-50023-00Bearing, Motor
54-50080-00	Motor, Condenser, 12 VDC, (Supersedes to 54-00618-01)



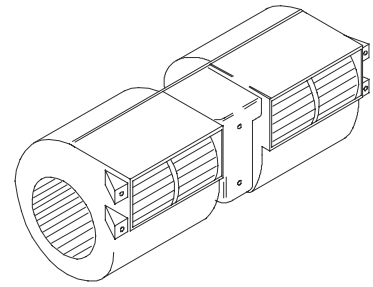
5.17 BLOWER ASSEMBLIES



AC401-200A, 12 VDC
AC401-201A, 24 VDC



54-00546-03

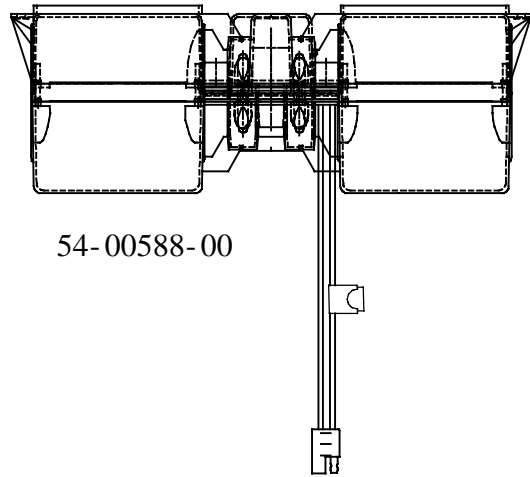
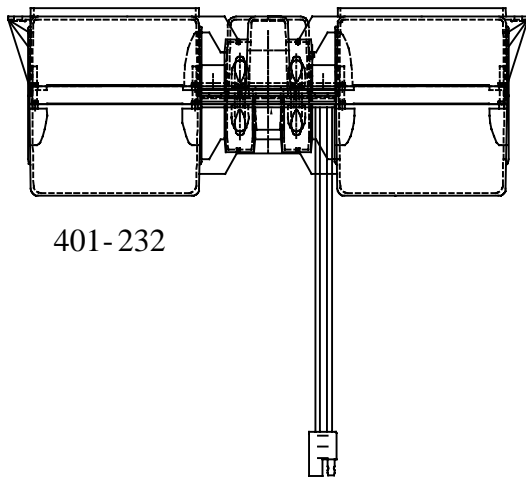
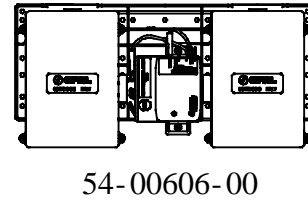
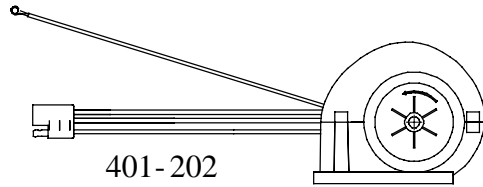
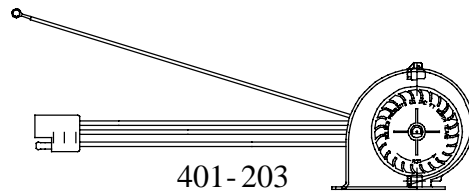
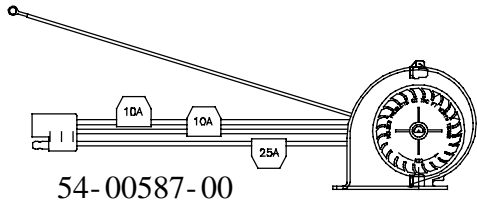


AC401-209A, 12 VDC
AC401-210A, 24 VDC

Part Number	Description
AC401-200A	Assembly, Blower, Dual, 12 VDC, GEN I Replacement Kit
AC401-204	Assembly, Blower, Dual, 24 VDC, GEN II, (EM-14)
54-00546-03	Assembly, Blower, Dual, 24 VDC, (EM-21 / EM-22 / EM-30)
AC401-209A	Assembly, Blower, Dual, 12 VDC, GEN II, (EM-1 / EM-2 / EM-3 / EM-6)
AC401-210A	Assembly, Blower, Dual, 24 VDC, GEN II, (EM-1 / EM-2 / EM-3 / EM-6)
AC401-214	Clip, Mounting, Use With 401-200
AC401-215	Blower Wheel, (EM-10)
AC401-217	Venturi Ring, (EM-10)
AC401-220	Blower Wheel, EM-10, Driver's Side
AC401-221	Assembly, Blower, Dual, 12 VDC, GEN III, (EM-1 / EM-2 / EM-3 / EM-6)
AC401-222	Assembly, Blower, Dual, 12 VDC, GEN III, (EM-1 / EM-2 / EM-3 / EM-6)
AC401-229	Assembly, Blower, Dual, 24 VDC, GEN III, (EM-14)
AC040-074	Assembly, Blower, Dual, 12 VDC, (EM-21) (Also Replacement Number AC401-202)
AC401-202	Assembly, Blower, Dual, 12 VDC, (IW-1)



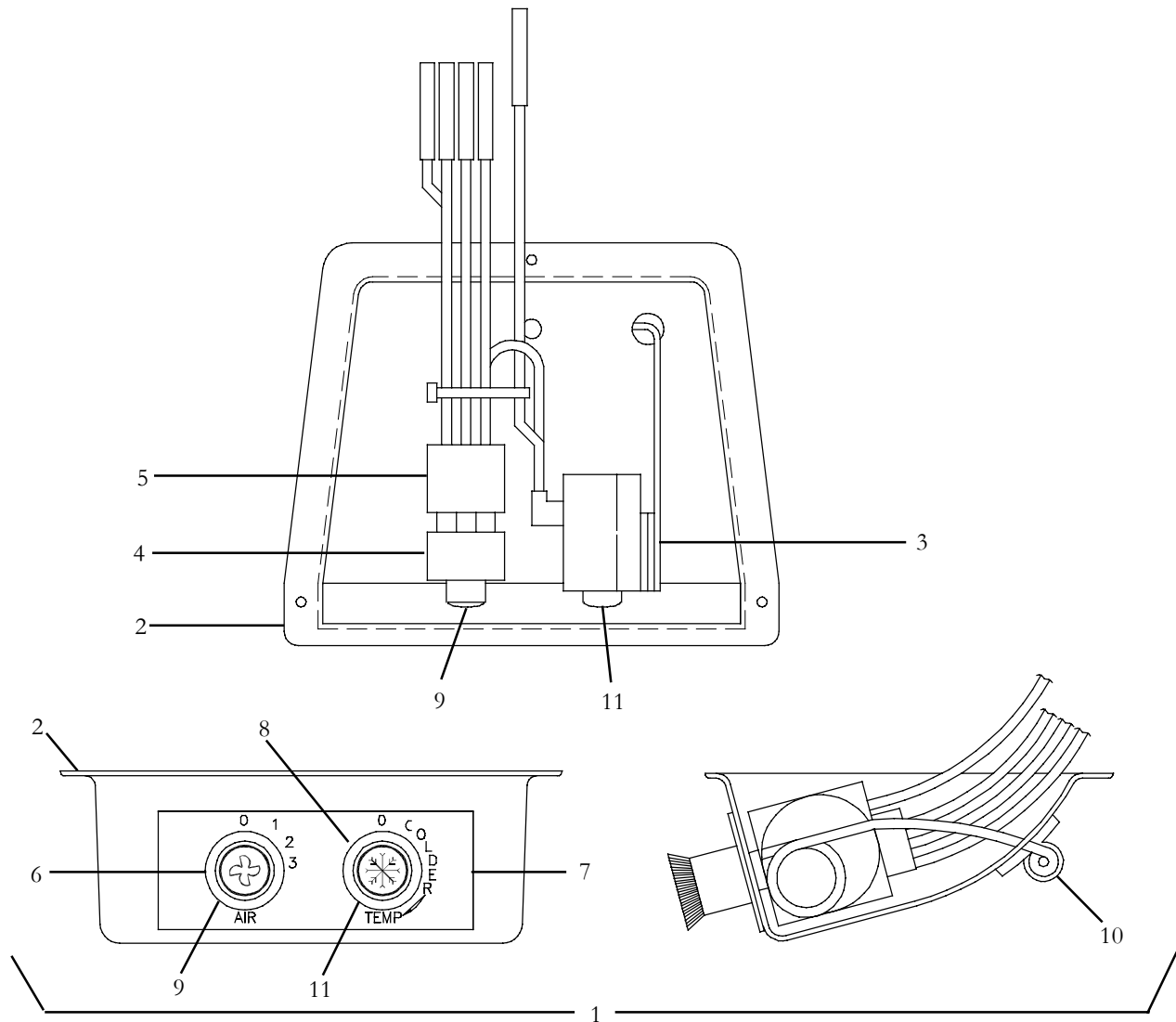
5.17 BLOWER ASSEMBLIES - Continued



Part Number	Description
AC040-074	Fan & Motor Assembly, 12 VDC, EM-21, EM-22 & IW-1
AC401-203	Fan & Motor Assembly, 12 VDC, GEN II, EM-14
AC401-232	Fan & Motor Assembly, 12 VDC, GEN 4, (EM-1 / EM-2 / EM-3 / EM-6)
AC401-233	Fan & Motor Assembly, 24 VDC, GEN 4, (EM-1 / EM-2 / EM-3 / EM-6)
54-00588-00	Fan & Motor Assembly, 12 VDC, Fused, Gen 4, GSA
54-00606-00	Fan & Motor Assembly, 12 VDC, Permanent Magnet, IW-7



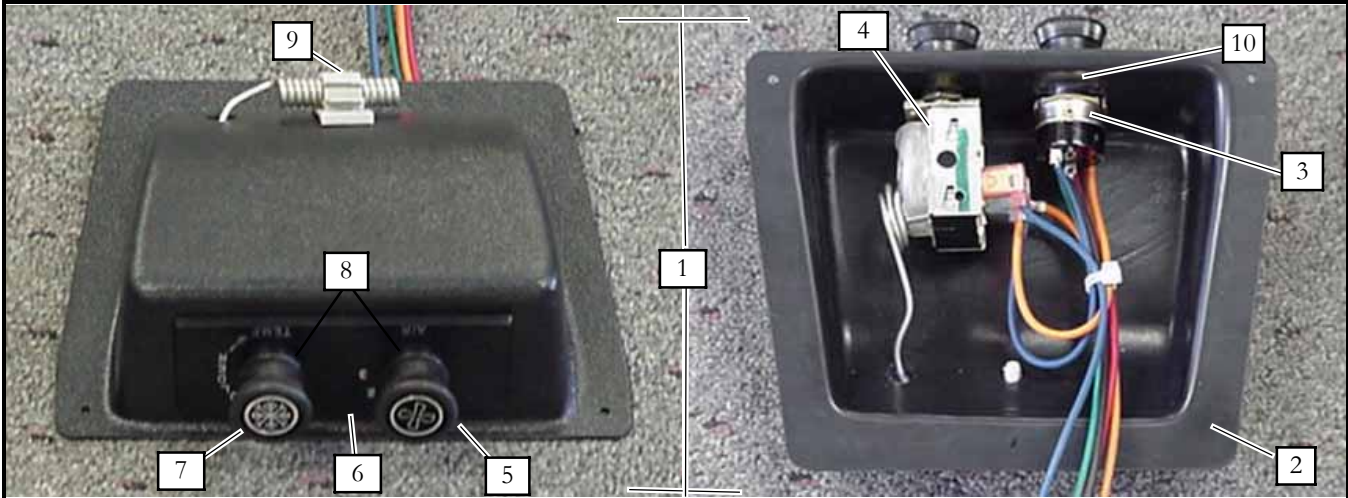
5.18 DRIVERS CONTROL PANEL (GEN 1 THROUGH GEN 4)



Item	Part Number	Description	Qty
1	AC010-006	Assembly, Drivers Control Panel, Includes:	1
2	AC010-204Housing, Control Panel, Black, (Cover)	1
3	AC201-500Thermostat, With Double Nut	1
4	AC201-305Switch, Fan Speed	1
5	AC201-902Harness, With 5 Position Connector, (Fan Speed Switch)	1
6	AC202-300Knob, Fan	1
7	AC202-301Nameplate, plastic, Black	1
8	AC202-303Knob, Snowflake	1
9	AC202-305Nut, Cover, Dressing	2
10	AC701-206Clamp, Thermostat Coil	1
11	AC202-307Nut, Hex, 7/16-28 Thread	2
12	77-62135-00	Kit, Drivers Control Panel, (Items 3 through 11)	1



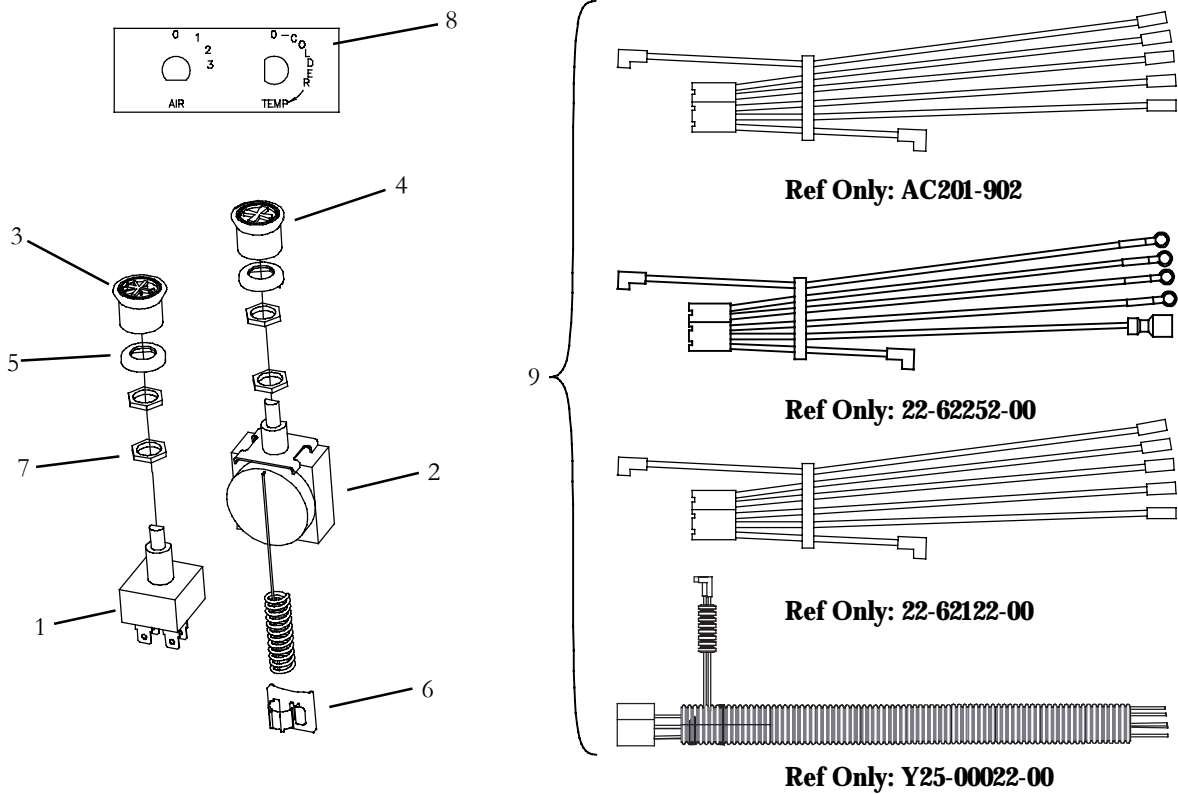
5.19 DRIVERS CONTROL PANEL GEN-5 (VARIABLE)



Item	Part Number	Description	Qty
1	91-62016-00	Assembly, Drivers Control Panel, Consisting Of:	1
2	AC010-204Housing, Control Panel, Black	1
3	22-62131-00Switch, Fan Speed	1
4	AC201-500Thermostat, Control With Double Nut	1
5	AC202-300Knob, Fan	1
6	AC202-301Switchplate, Control Panel, Plastic, Black	1
7	AC202-303Knob, Snowflake	1
8	AC302-305Nut, Cover	2
9	AC701-206Clamp, Thermostat Coil	1
10	AC202-307 Nut, Hex, (Fan Speed Switch)	2



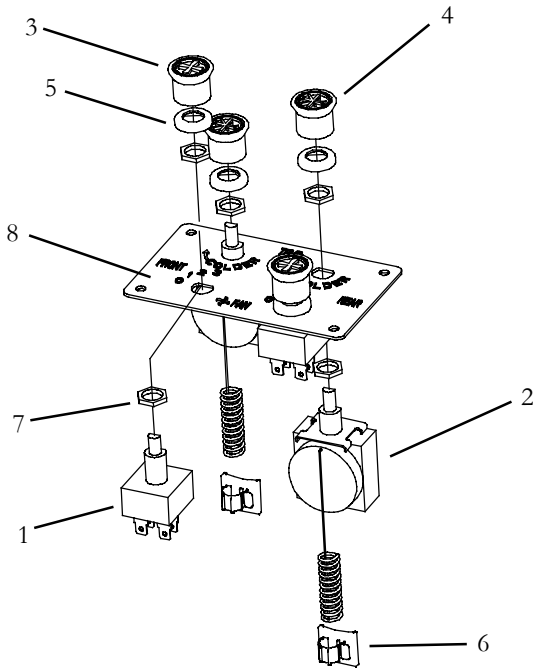
5.20 DRIVERS CONTROL PANEL KITS 77-62135-00, -01, -02, 03, -04 & -05



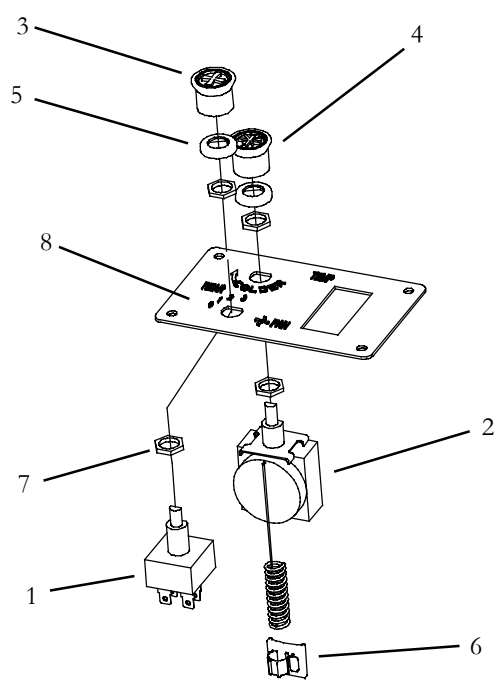
Item	Part Number	Description	Qty
-	77-62135-XX	Assembly, Drivers Control Panel, Consisting Of:	1
1	AC201-305Switch, Fan Speed	1
2	AC201-500Thermostat, Control With Double Nut	1
3	AC202-300Knob, Fan	1
4	AC202-303Knob, Snowflake	1
5	AC302-305Nut, Cover	2
6	AC701-206Clamp, Thermostat Coil	1
7	AC202-307 Nut, Hex, (Fan Speed Switch)	A/R
8	AC202-301Switch Plate, Mounting	1
9	AC201-902Wire Harness, Fan Speed Switch (77-62135-00 ONLY)	1
	22-62252-00Wire Harness, Fan Speed Switch (77-62135-01 ONLY)	1
	22-62122-00Wire Harness, Fan Speed Switch (77-62135-02 ONLY)	1
	Y25-00022-00Wire Harness, Fan Speed Switch (77-62135-05 ONLY)	1



5.21 DRIVERS CONTROL PANEL KITS 77-62135-06 & -07



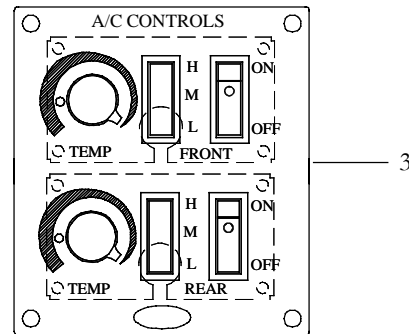
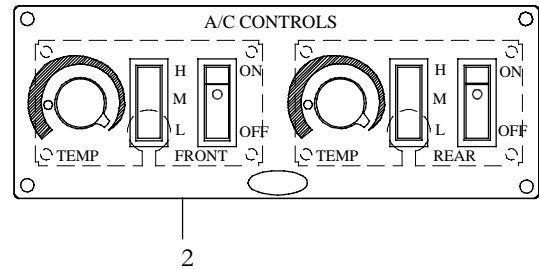
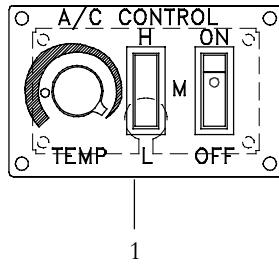
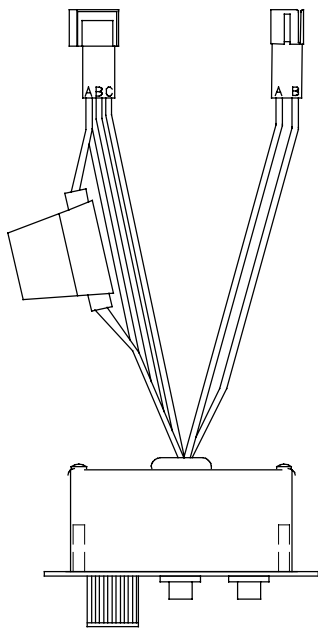
Ref: 77- 62135- 06



Ref: 77- 62135- 07

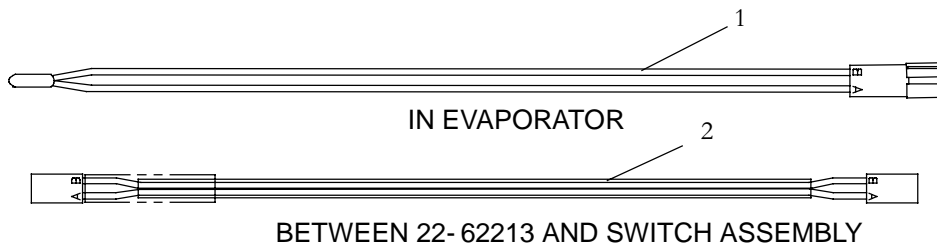
Item	Part Number	Description	Qty
-	77-62135-XX	Assembly, Drivers Control Panel, Consisting Of:	1
1	AC201-305Switch, Fan Speed	A/R
2	AC201-500Thermostat, Control With Double Nut	A/R
3	AC202-300Knob, Fan	A/R
4	AC202-303Knob, Snowflake	A/R
5	AC302-305Nut, Cover	A/R
6	AC701-206Clamp, Thermostat Coil	A/R
7	AC202-307 Nut, Hex, (Fan Speed Switch)	A/R
8	Y24-00196-00Switch Plate, Mounting (Dual Circuit)	1
	Y24-00196-01Switch Plate, Mounting (Single Circuit)	1

5.22 TEMPCON CONTROL PANELS



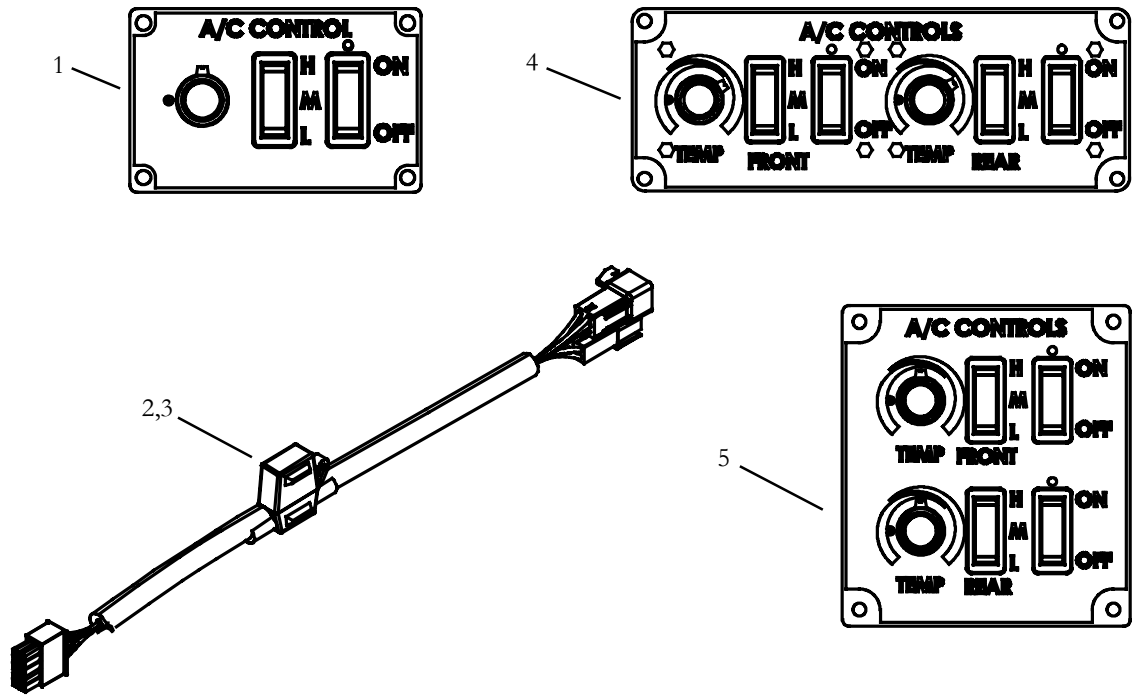
Item	Part Number	Description	Qty
1	22-62212-00	Switch Assembly, Tempcon, (Single)	1
2	22-62212-01	Switch Assembly, Tempcon, (Dual, Horizontal)	1
3	22-62212-02	Switch Assembly, Tempcon, (Dual, Vertical)	1

5.22.1 TEMPCON SENSOR ASSEMBLY (KITS)



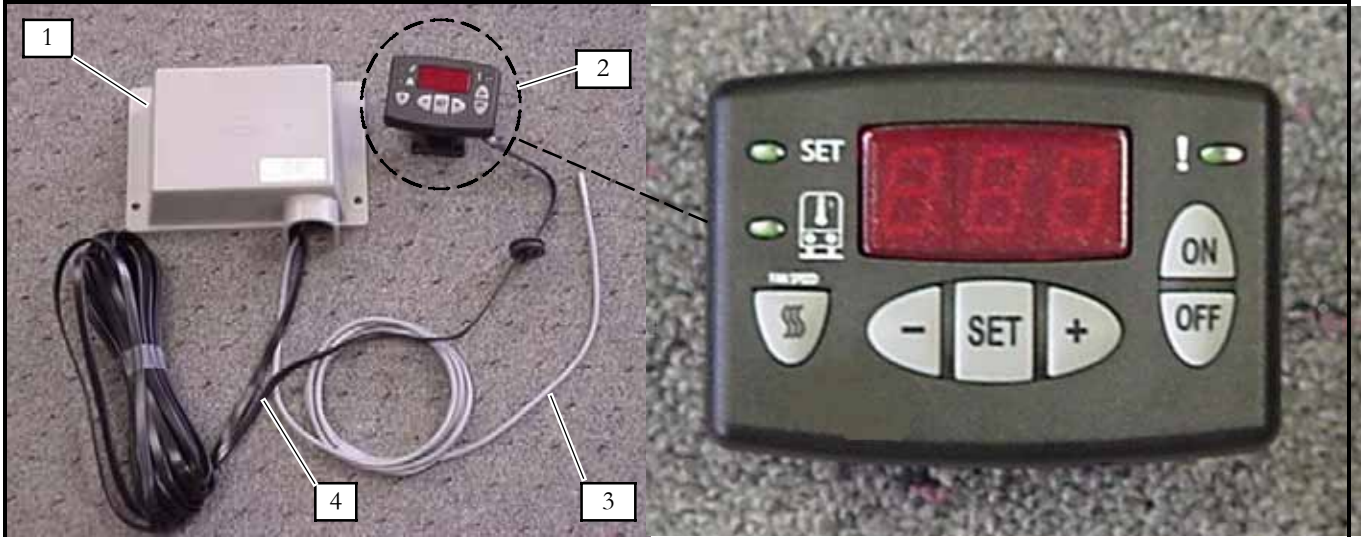
Part Number	Description	Qty
1	22-62213-00 Sensor Assembly, Tempcon (13 Inch)	1
	22-62213-01 Sensor Assembly, Tempcon (46 Inch)	1
2	22-62214-30 Cable Assembly, Shielded, Tempcon, Florida Control (360 Inches)	1
	22-62214-58 Cable Assembly, Shielded, Tempcon, Florida Control (696 Inches)	1
	22-62214-68 Cable Assembly, Shielded, Tempcon, Florida Control (816 Inches)	1

5.22.2 TEMPCON II CONTROL PANELS



Item	Part Number	Description	Qty
1	T35-1298	Switch Assembly, Tempcon, (Single), Includes:	1
2	T25-3756	Wire Harness, Fused, (W/O Fuse)	1
3	25-0568	Fuse, 3A	1
4	T35-1300	Switch Assembly, Tempcon, (Dual, Horizontal)	1
2	T25-3756	Wire Harness, Fused, (W/O Fuse)	2
3	25-0568	Fuse, 3A	2
5	T35-1299	Switch Assembly, Tempcon, (Dual, Vertical)	1
2	T25-3756	Wire Harness, Fused, (W/O Fuse)	2
3	25-0568	Fuse, 3A	2

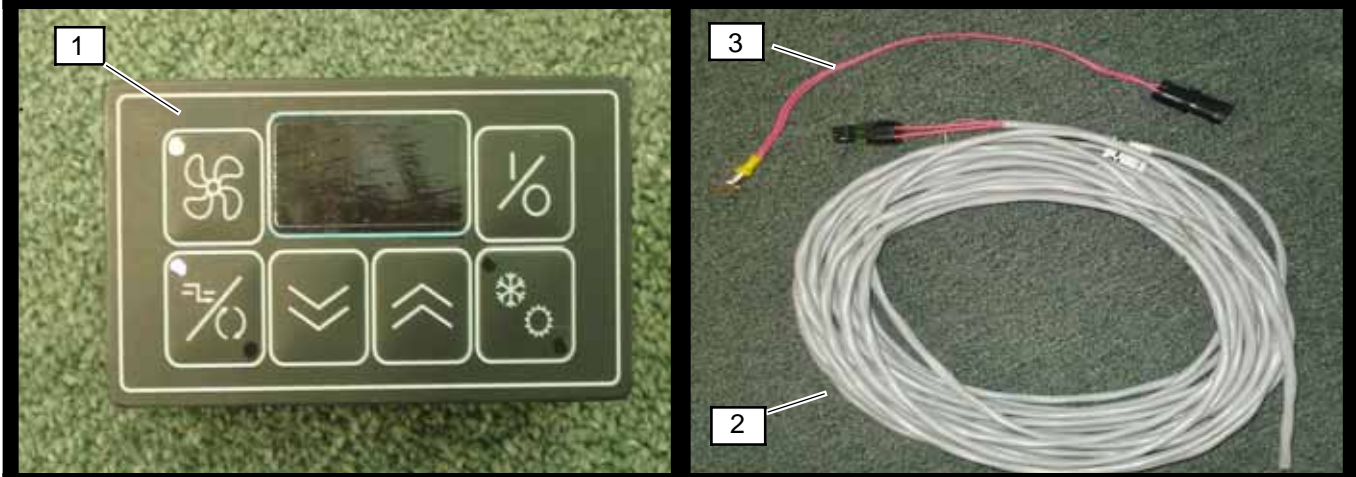
5.23 DRIVERS CONTROL PANEL, (TOTAL CONTROL)



Item	Part Number	Description	Qty
1	12-00567-00	Module, Logic	1
2	12-00570-00	Cab Command	1
3	12-00512-02	Sensor, Thermistor, (50 Ft.)	1
	12-00512-00	Sensor, Thermistor, (6.9 Ft.)	1
4	22-60551-07	Cable, Cab Command, (52 Ft.)	1
	22-60168-04	Cable, Cab Command, (32 Ft.)	1
	22-60168-03	Cable, Cab Command, (15 Ft.)	1
N/S	76-62139-00	Sensor Kit, Replacement, Includes:	1
	NSS Sensor, Thermistor (5 Ft.)	1
	NSS Butt Splice Connector, Insulated, (16-22 AWG)	2



5.24 DRIVERS CONTROL PANEL, (EnviroMATE)



Item	Part Number	Description	Qty
1	12-00672-00	Display, EnviroMATE, Small Bus, Zone 1	1
	12-00672-01	Display, EnviroMATE, EM-17	1
	12-00672-02	Display, EnviroMATE, Rooftop, Brushless Motors (NSI)	1
	12-00672-03	Display, EnviroMATE, Small Bus, 2 Zone, GSA Qualified	1
2	22-62290-00	Cable Assembly, Thermistor/Sensor (55 ft.), (NSI)	1
	22-62290-01	Cable Assembly, Thermistor/Sensor (30 ft.), (NSI)	1
	22-62290-02	Cable Assembly, Thermistor/Sensor (20 ft.), (NSI)	1
	22-62290-10	Cable Assembly, Thermistor/Sensor (4 ft.), TBB C2, (NSI)	1
3	12-00305-07	Sensor, Thermistor w/connector, (12")	1

5.25 REPLACEMENT ELECTRICAL CONTROL PANELS, CROSS-REFERENCE MATRIX

A listing of obsolete relay panels can be found below with the current replacement relay panel identified. Individual components can be found in referenced sections listed in Sections 5.26 and 5.31.

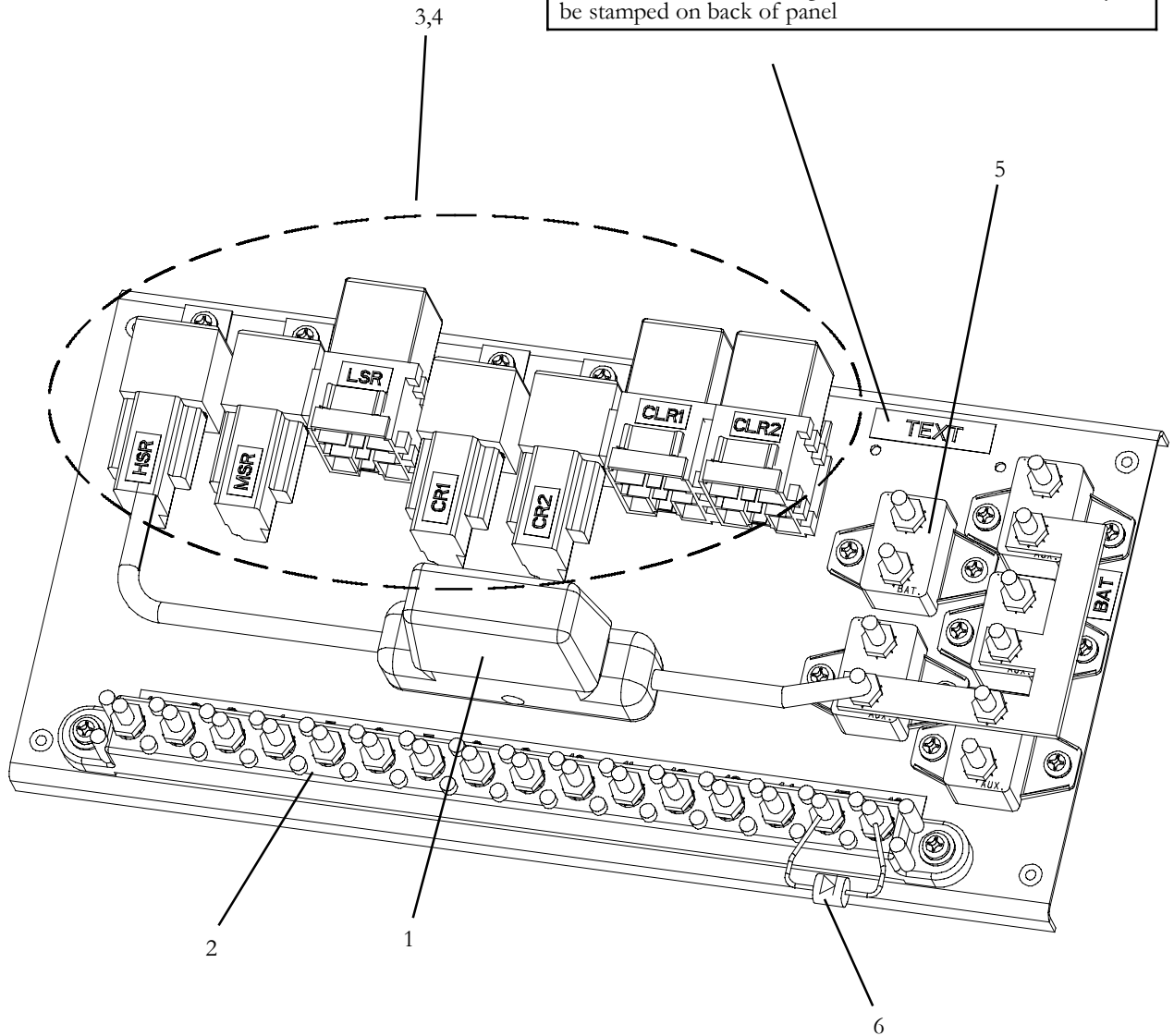
OLD ELECTRICAL PANEL	NEW ELECTRICAL PANEL
AC010-560	Y25-00012-00
AC010-561	
AC010-565	
91-62022-00	
91-62040-00	
AC010-566	Y25-00013-00
91-62017-00	
91-62046-00	
AC010-568	Y25-00014-00
AC010-570	
91-62018-00	
91-62019-00	
91-62023-00	
91-62045-00	
91-62052-00	

OLD ELECTRICAL PANEL	NEW ELECTRICAL PANEL
91-62027-00	Y25-00031-00
AC010-563	Y25-00032-00
91-62070-00	
91-62024-00	
91-62044-00	
91-62081-00	91-62110-00
91-62083-00	91-62111-00
91-62085-00	91-62112-00
91-62102-00	91-62113-00
91-62103-00	91-62114-00



5.26 ELECTRICAL CONTROL PANELS (TYPICAL)

NOTE: For Electrical Panel Assembly Part Number, refer to label shown. For older panels, Panel Part Number may be stamped on back of panel

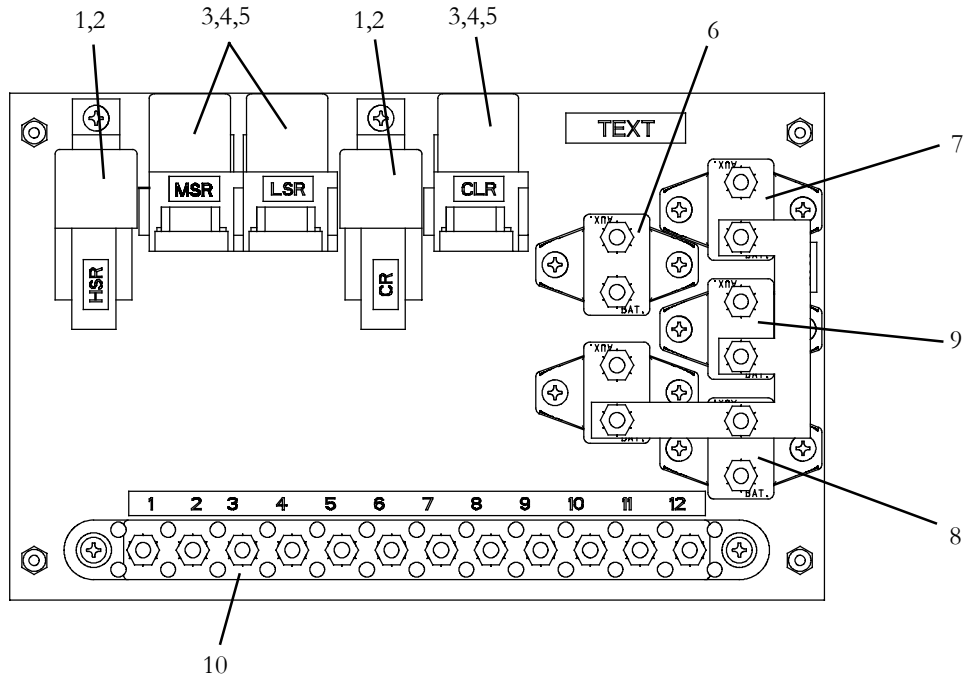


TYPICAL PANEL COMPONENTS
REFERENCE ONLY

Item	Description
1	Fuses and Fuse Holders, Refer to section 5.1 for proper replacement options
2	Terminal Boards, Refer to section 5.7 for proper replacement options
3	Relays, Refer to section 5.4 for proper replacement options
4	Relay Base Assemblies, Refer to sections 5.2 and 5.3 for proper replacement options
5	Circuit Breakers, Refer to section 5.6 for proper replacement options
6	Diodes, Refer to section 5.10 for proper replacement options



5.27 ELECTRICAL Panel, Y25-00012-00

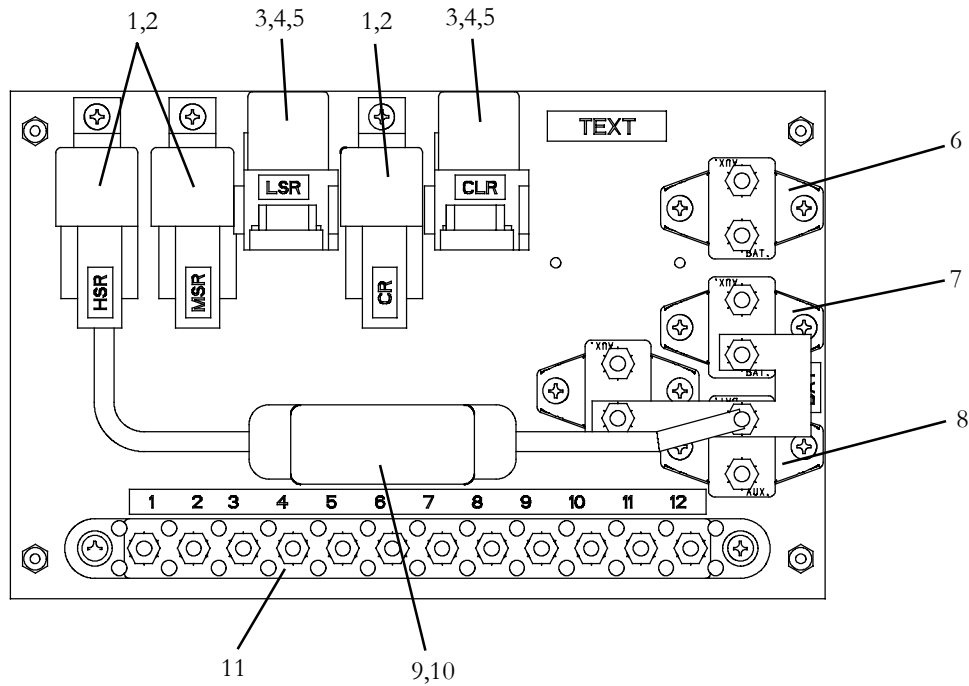


Used w/ 1EM w/1CM

Item	Description		
1	Y25-00089-00	Relay, 70A, 12VDC	2
2	22-50078-18	Connector, Relay Socket	2
3	Y25-00001-05	Relay, 50A, SPDT, 12VDC	3
4	AC201-901	Connector, Relay Socket	3
5	AC201-931	Connector Lock	3
6	AC201-105-1	Circuit Breaker, 10A Manual Reset	1
7	AC201-105	Circuit Breaker, 20A Manual Reset	1
8	AC201-112	Circuit Breaker, 40A Manual Reset	2
9	AC201-107	Circuit Breaker, 50A Manual Reset	1
10	22-02897-09	Junction Block, (12) #10-32	1



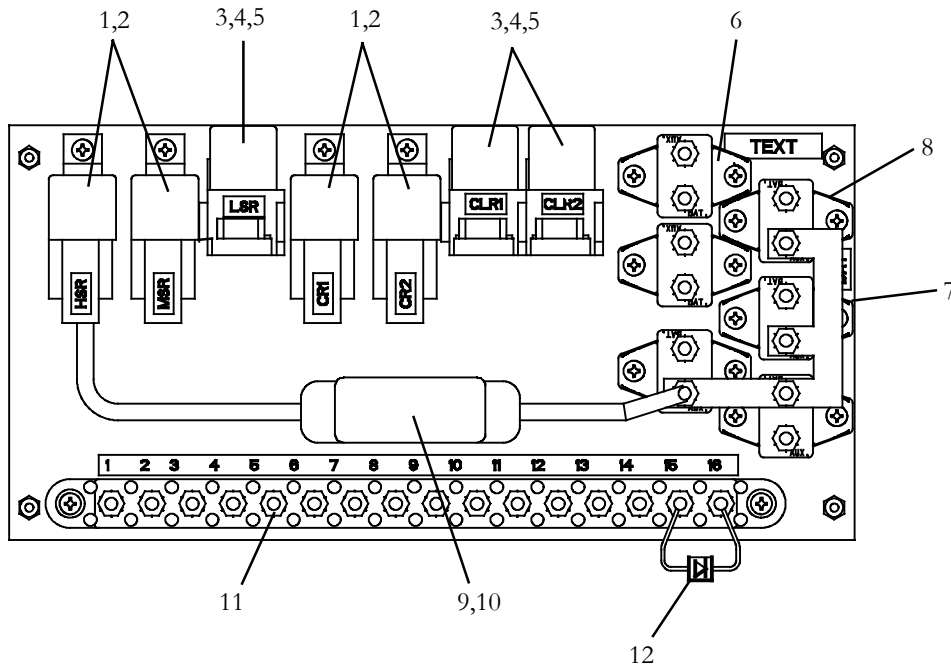
5.28 ELECTRICAL Panel, Y25-00013-00



Used w/ 1 EM3 & 1 CM

Item	Description		
1	Y25-00089-00	Relay, 70A, 12VDC	3
2	22-50078-18	Connector, Relay Socket	3
3	Y25-00001-05	Relay, 50A, SPDT, 12VDC	2
4	AC201-901	Connector, Relay Socket	2
5	AC201-931	Connector Lock	2
6	AC201-105	Circuit Breaker, 20A Manual Reset	1
7	AC201-106	Circuit Breaker, 30A Manual Reset	1
8	AC201-112	Circuit Breaker, 40A Manual Reset	2
9	22-62110-00	Fuse Holder	1
10	22-02336-17	Fuse, 60A	1
11	22-02897-09	Junction Block, (12) #10-32	1

5.29 ELECTRICAL Panel, Y25-00014-00

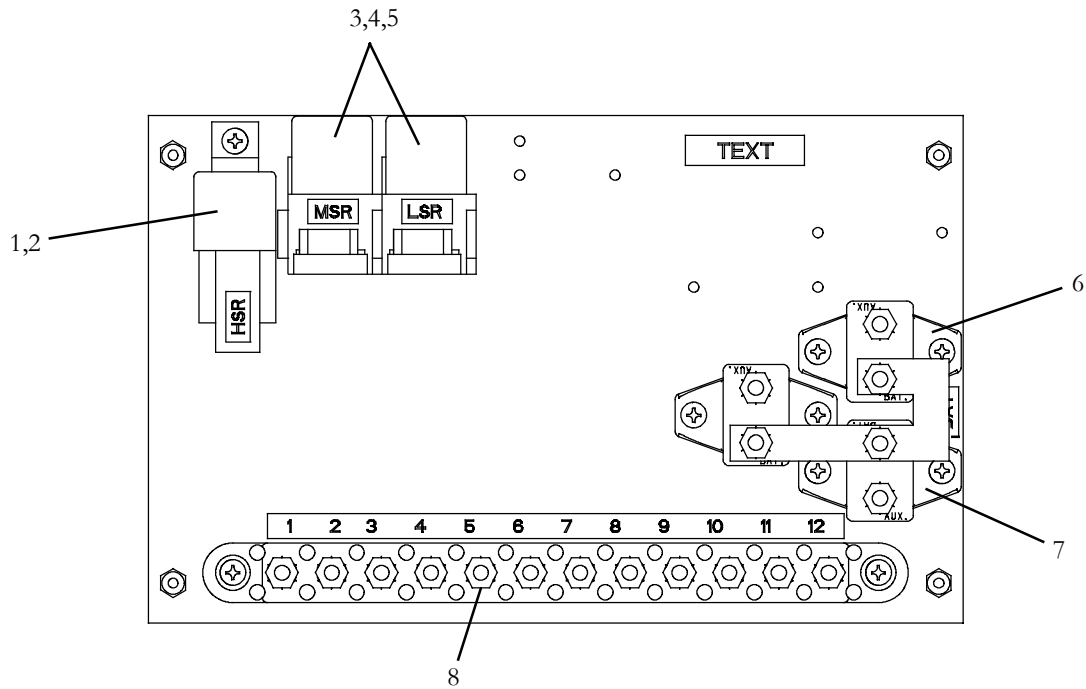


Used w/ EM3 and 2 CM

Item	Description		
1	Y25-00089-00	Relay, 70A, 12VDC	4
2	22-50078-18	Connector, Relay Socket	4
3	Y25-00001-05	Relay, 50A, SPDT, 12VDC	3
4	AC201-901	Connector, Relay Socket	3
5	AC201-931	Connector Lock	3
6	AC201-105	Circuit Breaker, 20A Manual Reset	2
7	AC201-106	Circuit Breaker, 30A Manual Reset	1
8	AC201-212	Circuit Breaker, 40A Manual Reset	3
9	22-62110-00	Fuse Holder	1
10	22-02336-17	Fuse, 60A	1
11	22-02897-13	Junction Block, (16) #10-32	1
12	AC201-600	In-Line Diode, 6 AMP	1



5.30 ELECTRICAL Panel, Y25-00031-00



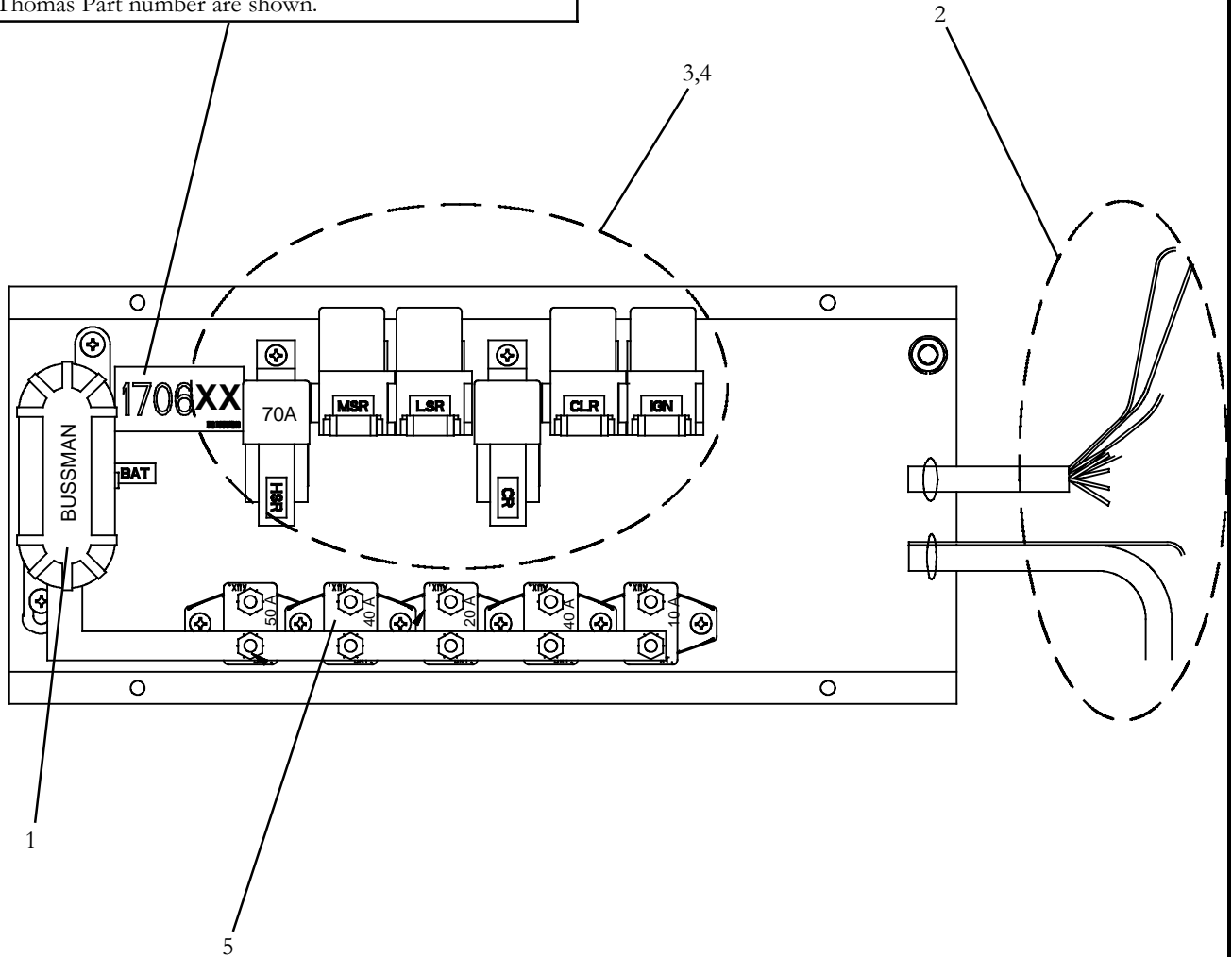
Used w/ Add On Evaporator

Item	Description		
1	Y25-00089-00	Relay, 70A, 12VDC	1
2	22-50078-18	Connector, Relay Socket	1
3	Y25-00001-05	Relay, 50A, SPDT, 12VDC	2
4	AC201-901	Connector, Relay Socket	2
5	AC201-931	Connector Lock	2
6	AC201-105	Circuit Breaker, 20A Manual Reset	2
7	AC201-212	Circuit Breaker, 40A Manual Reset	1
8	22-02897-09	Junction Block, (12) #10-32	1



5.31 ELECTRICAL CONTROL PANELS (THOMAS)

NOTE: For Electrical Panel Assembly Part Number, refer to label shown. MCC Part number, as well as Thomas Part number are shown.

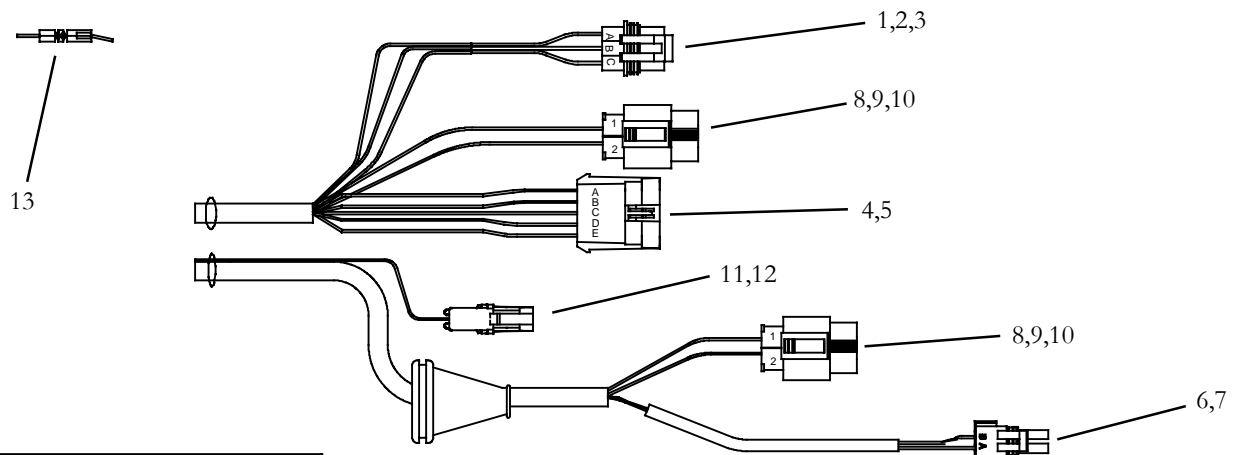


TYPICAL PANEL COMPONENTS
REFERENCE ONLY

Item	Description
1	Fuses and Fuse Holders, Refer to section 5.1 for proper replacement options
2	Harness Connectors, Refer to section 5.32 for proper replacement options
3	Relays, Refer to section 5.4 for proper replacement options
4	Relay Base Assemblies, Refer to sections 5.2 and 5.3 for proper replacement options
5	Circuit Breakers, Refer to section 5.6 for proper replacement options



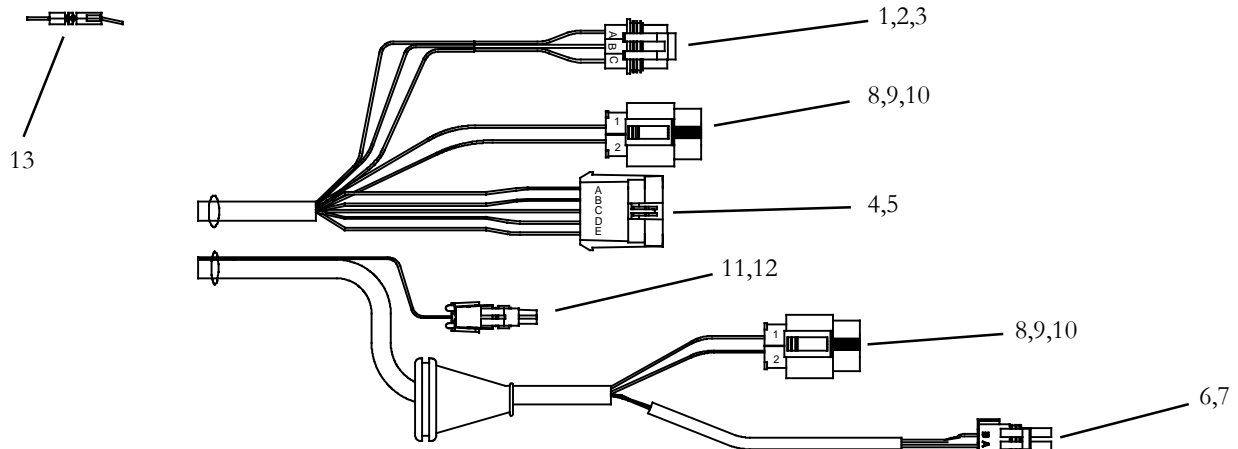
5.32 ELECTRICAL HARNESS Replacement Parts (THOMAS)



MCC Panel # 91-62113
Thomas Panel # 170623

Item	Description		
1	22-50078-87	Connector, Female, 3 Pin, Black	1
2	22-50078-49E	Terminal, Female, 18-20 AWG	2
3	22-50078-49H	Terminal, Female, 10-12 AWG	1
4	22-50078-45	Connector, Male, 10 Pin, Black	1
5	22-50078-46A	Terminal, Male, 16-18 AWG	7
6	22-01585-02	Connector, Female, 2 Pin, Black	1
7	22-02393-01	Terminal, Male, 18-20 AWG	2
8	22-50098-71	Connector, Female, 2 Pin, Black	2
9	22-50098-71B	Terminal, Female, 8 AWG	3
10	22-50098-71A	Terminal, Female, 10-12 AWG	1
11	22-50078-64	Connector, Male, 1 Pin, Black	1
12	22-02393-01	Terminal, Male, 18-20 AWG	2
13	AC201-600	In-Line Diode, 6 AMP	2

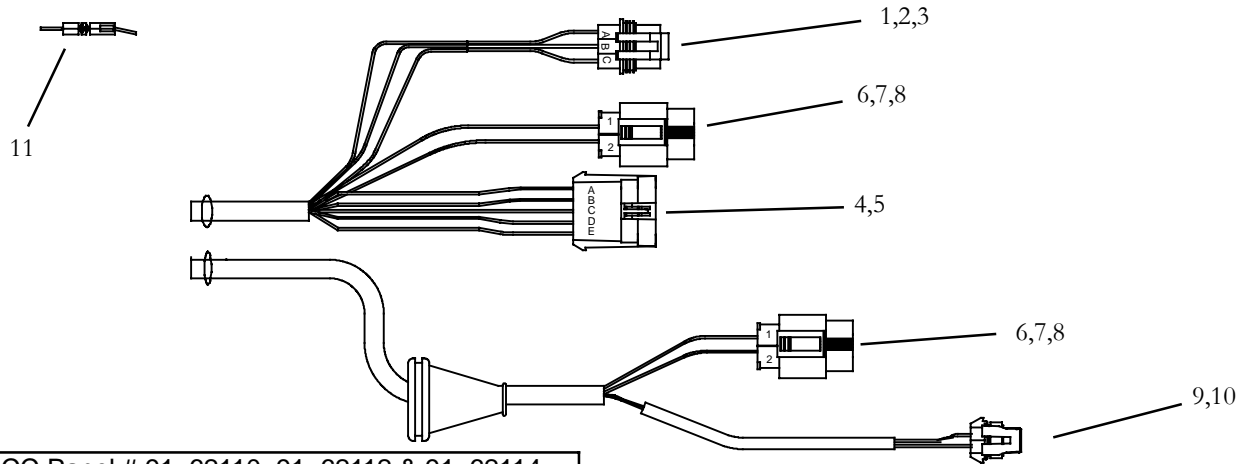
5.32 ELECTRICAL HARNESS Replacement Parts (THOMAS) : Continued



MCC Panel # 91-62111
Thomas Panel # 170622

Item	Description		
1	22-50078-87	Connector, Female, 3 Pin, Black	1
2	22-50078-49E	Terminal, Female, 18-20 AWG	2
3	22-50078-49H	Terminal, Female, 10-12 AWG	1
4	22-50078-45	Connector, Male, 10 Pin, Black	1
5	22-50078-46A	Terminal, Male, 16-18 AWG	7
6	22-01585-02	Connector, Female, 2 Pin, Gray	1
7	22-02393-01	Terminal, Male, 18-20 AWG	2
8	22-50098-71	Connector, Female, 2 Pin, Black	2
9	22-50098-71B	Terminal, Female, 8 AWG	3
10	22-50098-71A	Terminal, Female, 10-12 AWG	1
11	22-50078-63	Connector, Female, 1 Pin, Black	1
12	22-50078-58F	Terminal, Female, 18-20 AWG	1
13	AC201-600	In-Line Diode, 6 AMP	2

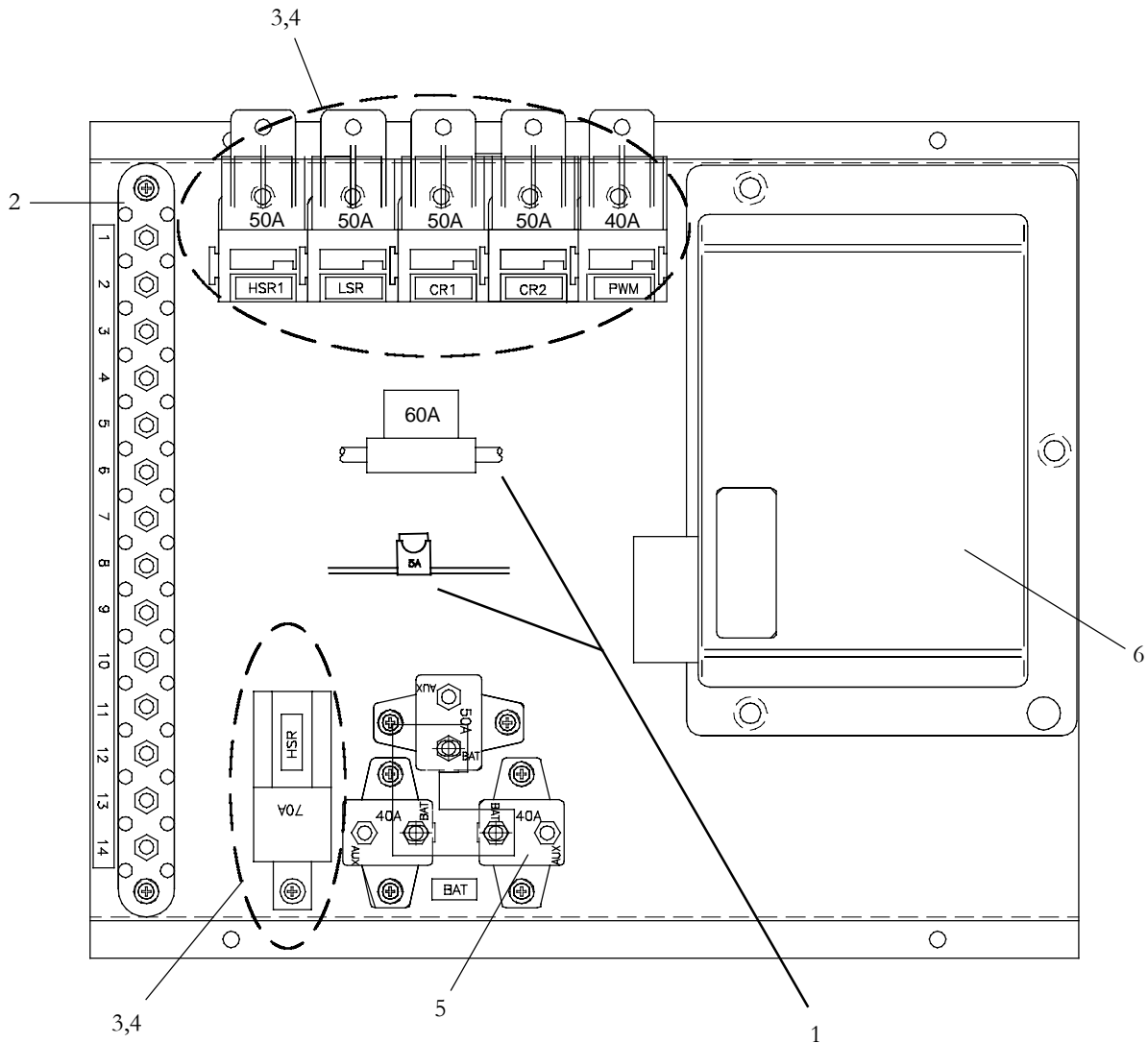
5.32 ELECTRICAL HARNESS Replacement Parts (THOMAS) : Continued



MCC Panel # 91-62110, 91-62112 & 91-62114
 Thomas Panel # 170619, 170621 & 170620

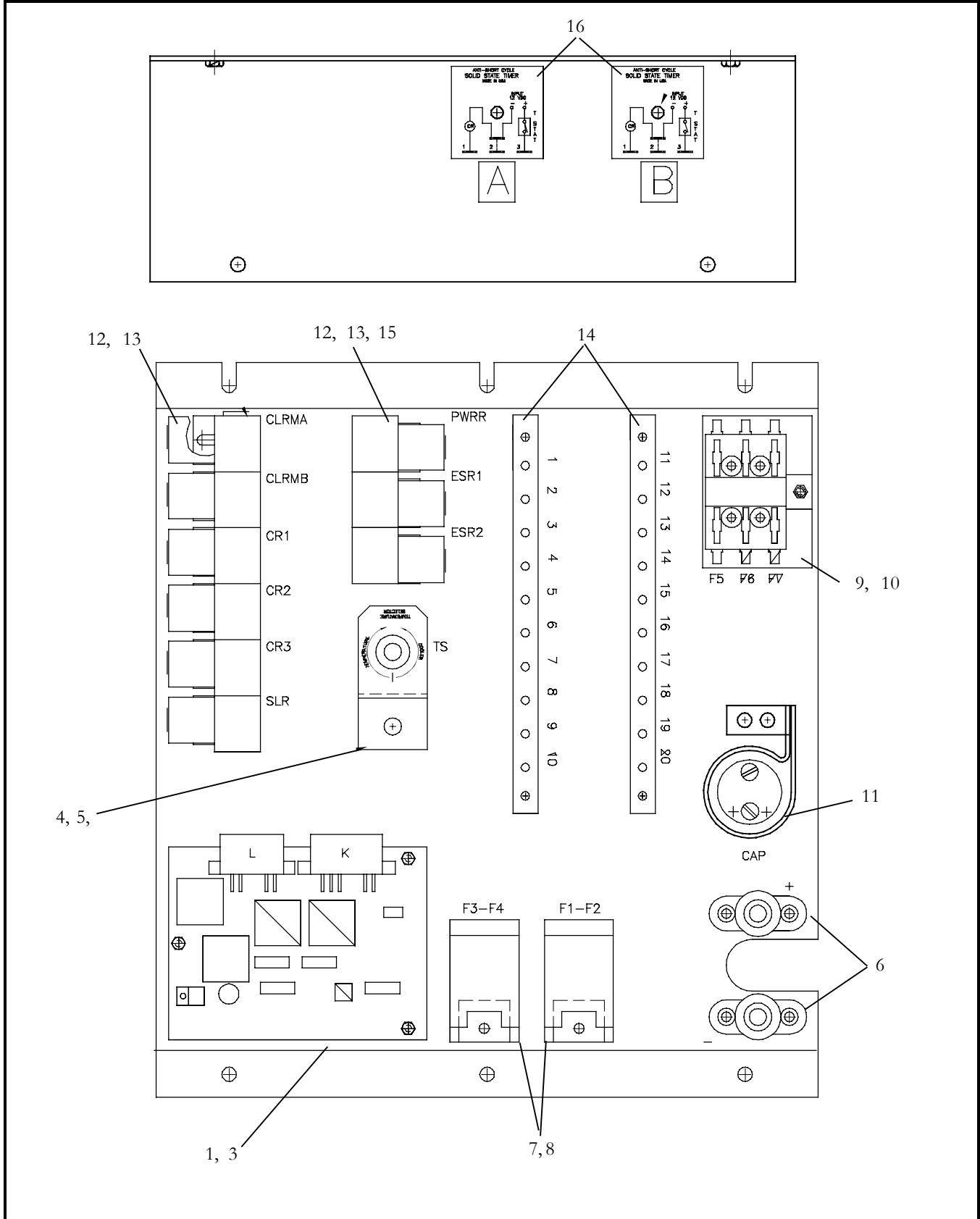
Item	Description		
1	22-50078-87	Connector, Female, 3 Pin, Black: Uses	1
2	22-50078-49E	Terminal, Female, 18-20 AWG	2
3	22-50078-49H	Terminal, Female, 10-12 AWG	1
4	22-50078-45	Connector, Male, 10 Pin, Black: Uses	1
5	22-50078-46A	Terminal, Male, 16-18 AWG	7
6	22-50098-71	Connector, Female, 2 Pin, Black	2
7	22-50098-71B	Terminal, Female, 8 AWG	3
8	22-50098-71A	Terminal, Female, 10-12 AWG	1
9	22-50078-73	Connector, Female, 2 Pin, Black	1
10	22-50078-46B	Terminal, Female, 16-18 AWG	2
11	AC201-600	In-Line Diode, 6 AMP	1

5.33 PANEL ASSEMBLIES, TOTAL CONTROL (TYPICAL)



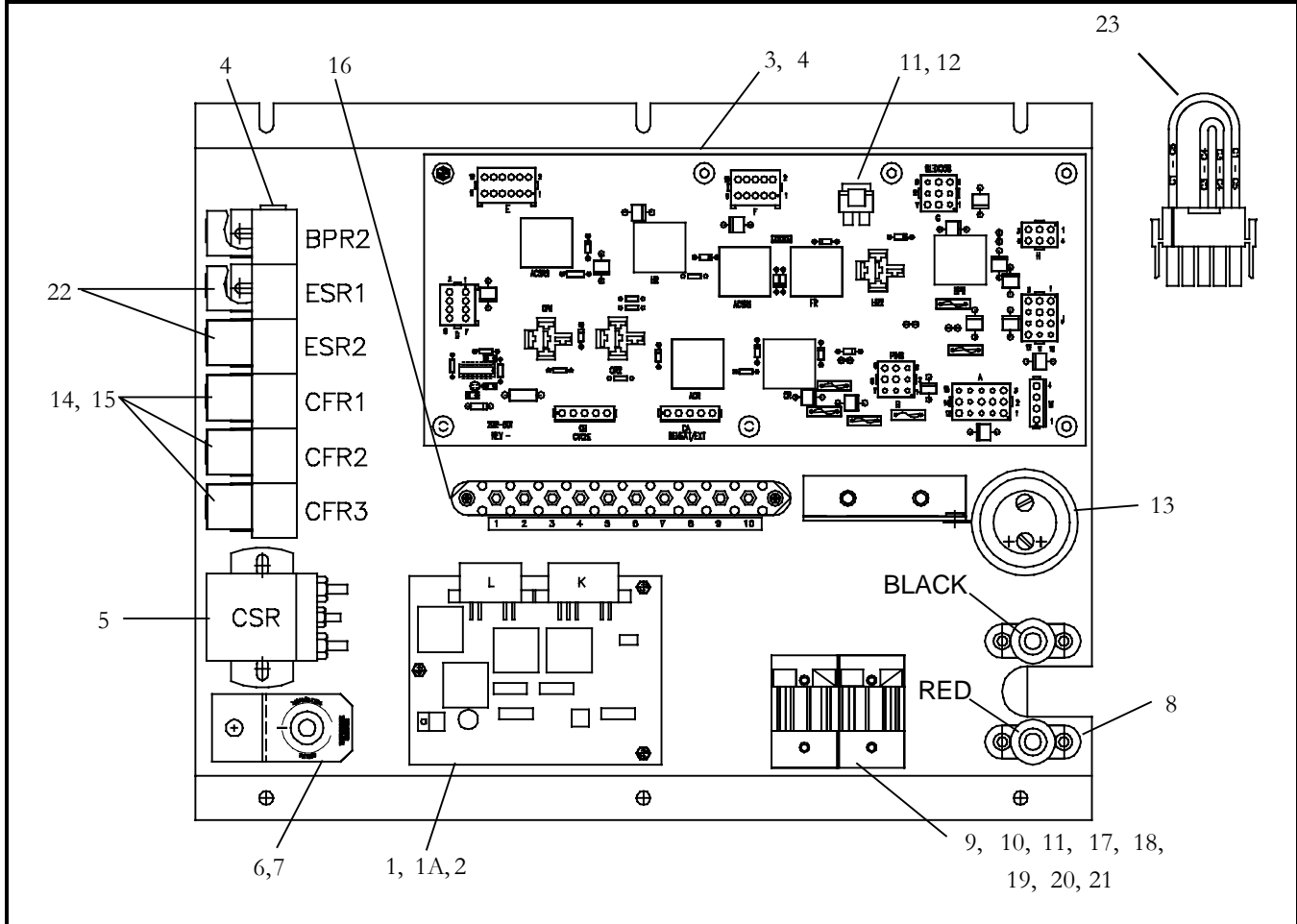
Item	Part Number	Description	Qty
1		Fuses and Fuse Holders, Refer to section 5.1 for proper replacement options	
2		Terminal Boards, Refer to section 5.7 for proper replacement options	
3		Relays, Refer to section 5.4 for proper replacement options	
4		Relay Base Assemblies, Refer to sections 5.2 and 5.3 for proper replacement options	
5		Circuit Breakers, Refer to section 5.6 for proper replacement options	
6		Module, Logic Refer to section 5.23 for proper replacement options	

5.34 CONTROL PANEL, EM-17 SPLIT, KR-4D, (24 VDC)





5.34 CONTROL PANEL, EM-17 SPLIT, KR-4D, (24 VDC) - Continued:			
Item	Part Number	Description	Qty
NSI	91-62035-00	Assembly Panel, EM-17 Split, KR-4D, (24 VDC) - (Above), Includes:	1
1	12-00657-00	Controller, Temp-4 Relay, W/O Box - Includes:	1
2	10-00286-09	Relay, SPDT, 40Amp, 24V	4
3	AC201-508	Return Air Probe	1
4	10-00311-00	Temperature Selector	1
5	10-00312-00	Knob, Temperature Selector	1
6	22-50098-91A	Stud-Type, Junction Block, (3/8-16)	2
7	22-01828-00	Fuse Holder (For 22-02336-16)	4
8	22-02336-16	Fuse, 40 Amp, (Use With Fuse Holder 22-01828-00)	4
9	22-01827-01	Fuse Holder, 6 PC. Common Ground, (For AC201-123)	1
10	22-02336-06	Fuse, 15 Amp, (ATC)	3
11	AC201-634	Capacitor, 50 VDC, 18,000 Micro F.	1
12	AC201-901	Connector, Relay Socket	10
13	AC201-931	Lock, Packard Connector	10
14	22-02897-07	Terminal Board, 10 Position	2
15	10-00286-03	Relay, 12 VDC, 30 Amp	3
16	10-00436-01	Lockout, Timer, 24 VDC	2

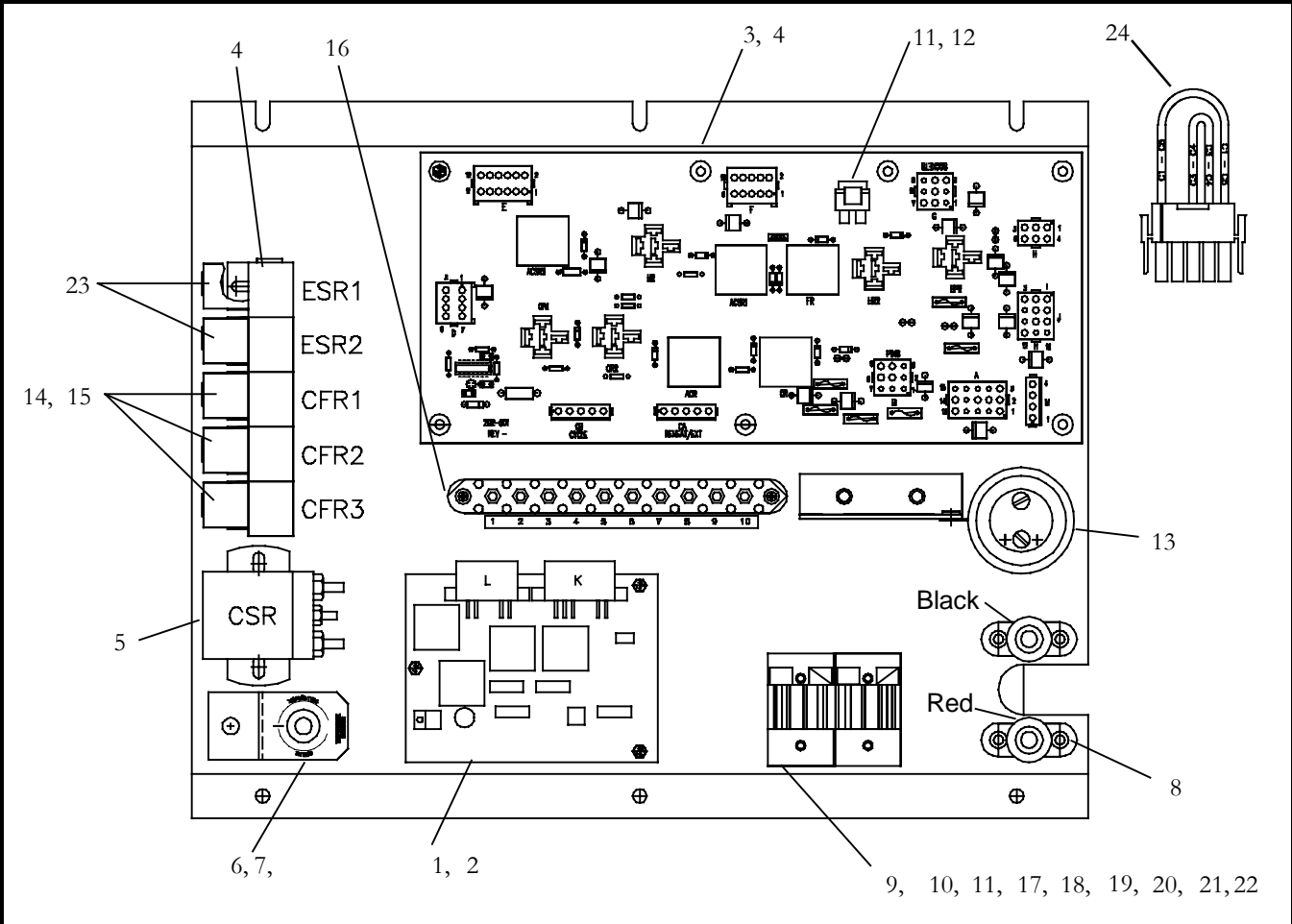
5.35 CONTROL PANEL, EM-17 & CM-5, (WITH HEAT)


Item	Part Number	Description	Qty
NSI	91-62011-01	Assembly, Panel, EM-17 With CM-5, (With Heat), Above, Includes:	1
1	12-00657-00	Controller, Temp-4 Relay, W/O Box - Includes:	1
1A	10-00286-09	Relay, Single Pole, Double Throw, (24 VDC)	4
2	AC201-508	Return Air Probe	1
3	AC202-501	Relay Board, Fused	1
4	10-00286-09	Relay, Single Pole, Double Throw, (24 VDC)	13
5	10-00300-02	Solenoid, Normally Open (N.O.), 28 VDC	1
6	10-00311-00	Temperature Selector	1
7	10-00312-00	Knob, Temperature Selector	1
8	10-50052-00	Junction Block, Stud-Type, (3/8-16) Black	1
	10-50052-01	Junction Block, Stud-Type, (3/8-16) Red	1
9	22-02336-16	Fuse, 40 Amp, (Use With Fuse Holder 22-01828)	2
10	22-02336-17	Fuse, 60 Amp, (Use With Fuse Holder 22-01828)	1
11	22-02336-06	Fuse, 15 Amp, (ATC)	6
12	22-01449-00	Clip, Fuse	1
13	AC201-634	Capacitor, 50 VDC, 18,000 Micro F.	1
14	AC201-901	Connector, Relay Socket	4
15	AC201-931	Lock, Packard Connector	4



5.35 CONTROL PANEL, EM-17 & CM-5, (WITH HEAT) - Continued:			
Item	Part Number	Description	Qty
16	22-02897-07	Terminal Board, 10 Position	1
17	22-62036-00	Fuse Holder, 7 Position	1
18	22-62037-00	Maxifuse Holder, 4 Position	1
19	22-62039-01	Secondary Lock, (22-62036-00)	12
20	22-62039-02	Secondary Lock, (22-62037-00)	6
21	22-62040-00	Locking Wedge, (Fuse Holder)	2
22	22-62216-00	Connector/Lock Assembly, RElay, With Wiring (ESR) - Includes:	2
22A	AC201-901	Connector, Relay	1
22B	AC201-931	Lock, Connector, Relay	1
23	AC202-502	Connector, Reheat/Cycle, Jumper	1

5.36 CONTROL PANEL, EM-17 & CM-5 (W/O HEAT)



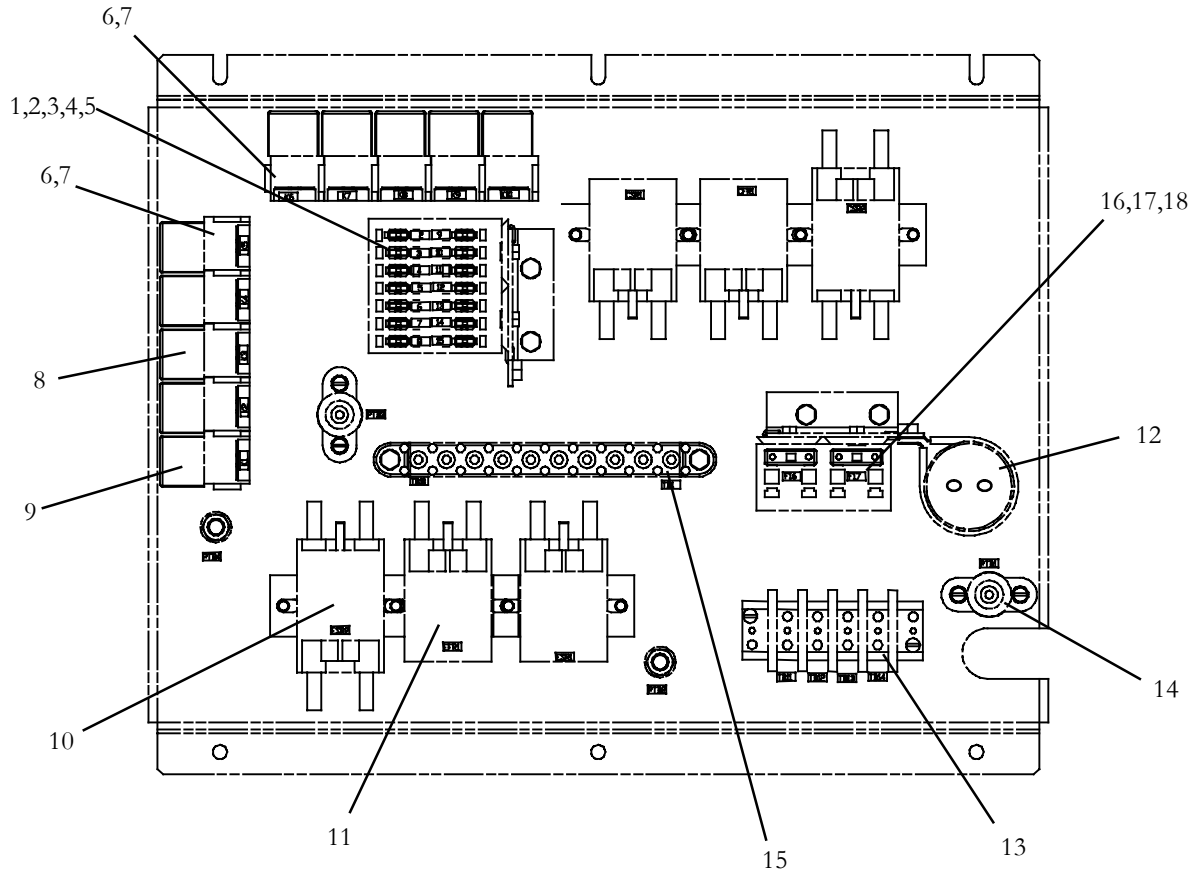
Item	Part Number	Description	Qty
NSI	91-62011-00	Assembly, Panel, EM-17 With CM-5, Shown Above, Includes:	1
1	12-00657-00	Controller, Temp-4 Relay, W/O Box - Includes:	1
1A	10-00286-09	Relay, Single Pole, Double Throw, (24 VDC)	4
2	AC201-508	Return Air Probe	1
3	AC202-501	Relay Board, Fused	1
4	10-00286-09	Relay, Single Pole, Double Throw, (24 VDC)	10
5	10-00300-02	Solenoid, Normally Open (N.O.), 28 VDC	1
6	10-00311-00	Temperature Selector	1
7	10-00312-00	Knob, Temperature Selector	1
8	10-50052-00	Junction Block, Stud-Type, (3/8-16) Black	1
	10-50052-01	Junction Block, Stud-Type, (3/8-16) Red	1
9	22-02336-16	Fuse, 40 Amp, (Use With Fuse Holder 22-01828)	2
10	22-02336-17	Fuse, 60 Amp, (Use With Fuse Holder 22-01828)	1
11	22-02336-06	Fuse, 15 Amp, (ATC)	6
12	22-01449-00	Clip, Fuse	1
13	AC201-634	Capacitor, 50 VDC, 18,000 Micro F.	1
14	AC201-901	Connector, Relay Socket	3
15	AC201-931	Lock, Packard Connector	3



5.36 CONTROL PANEL, EM-17 & CM-5 - (W/O HEAT) Continued:			
Item	Part Number	Description	Qty
16	22-02897-07	Terminal Board, 10 Position	1
17	22-62036-00	Fuse Holder, 7 Position	1
18	22-62037-00	Maxifuse Holder, 4 Position	1
19	22-62038-00	Mounting Bracket, (Fuse Holder)	2
20	22-62039-01	Secondary Lock, (22-62036-00)	12
21	22-62039-02	Secondary Lock, (22-62037-00)	6
22	22-62040-00	Locking Wedge, (Fuse Holder)	2
23	22-62216-00	Connector/Lock Assembly, Relay, With Wiring (ESR) - Includes:	2
23A	AC201-901	Connector, Relay	1
23B	AC201-931	Lock, Connector, Relay	1
24	AC202-502	Connector, Reheat/Cycle, Jumper	1



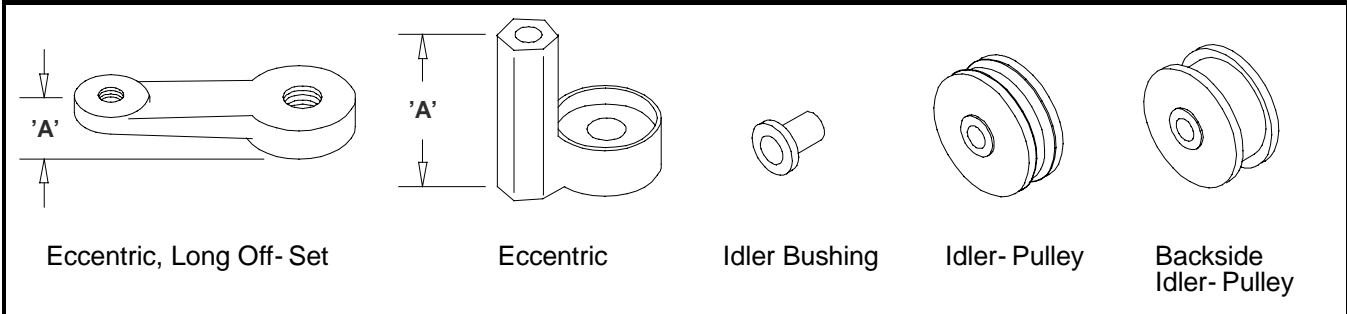
5.37 CONTROL PANEL, EM-17 & KR4, 91-62011-04



Item	Part Number	Description	Qty
NSI	91-62011-04	Assembly, Panel, EM-17 With KR-4, Shown Above, Includes:	1
1	22-62036-00	Fuse Holder, ATC	2
2	22-62040-00	Secondary Lock, Wedge, Fuse Holder	2
3	22-62039-01	Secondary Lock, Fuse Holder	28
4	22-02336-21	Fuse, 5 Amp	8
5	22-02336-06	Fuse, 15 Amp	6
6	AC201-901	Connector, Relay Socket	10
7	AC201-931	Lock	10
8	10-00286-13	Relay, 24VDC	9
9	10-00286-07	Relay, 12VDC	1
10	10-00300-07	Contactora,28 VDC, N.O.	2
11	10-00300-02	Contactora,28 VDC, N.O.	4
12	AC201-634	Capacitor, 50 V, 18,000 micro f	1
13	22-62100-03	Terminal Block, 4 Position	1
14	22-50098-91	Junction Block, Stud-Type, (3/8-16) Red	2
15	22-02897-07	Terminal Block, 10 Position	1
16	22-62037-00	Fuse Holder, Maxi	1
17	22-62237-00	Secondary Lock, Fuse Holder	4
18	22-02336-16	Fuse, 40 Amp, Maxi	2

SECTION 6 - ENGINE KIT PARTS

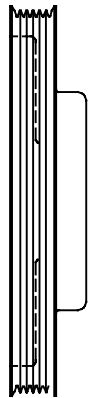
6.1 BUSHINGS - IDLERS - ECCENTRICS - FAN SPACERS



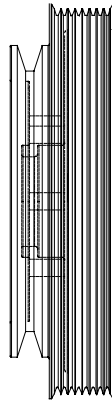
Part Number	Description
AC601-525	Eccentric, "A" Dimension, 3/4 inch, Long Offset
AC601-505	Eccentric, "A" Dimension, 1-1/8 inch
AC601-522	Eccentric, "A" Dimension, 1-3/16 inch, Long Offset
AC601-527	Eccentric, "A" Dimension, 1-1/4 inch, Center Hole Tapped
AC601-511	Eccentric, "A" Dimension, 2 inch
AC601-525	Eccentric, "A" Dimension 3/4 Inch, Long Off-Set, (Drilled Thru) (AC601-525-1)
AC601-519	Bushing, Idler, 3/8 inch Bolt
AC601-508	Bushing, Idler, 7/16 inch Bolt
AC601-520	Bushing, Idler, 1/2 inch Bolt
48-62013-00	Bushing, Idler, 8MM Bolt
AC601-545	Bushing, Idler, Double Bearing, 10mm
AC601-500	Idler, Kit, Single Groove, 3-3/4 inch Diameter
AC601-542	Idler, Pulley, Backside, 2-7/8 inch Diameter
AC601-528	Idler, Pulley, Backside, Single, 3-1/4 inch Diameter
AC051-586	Idler, Pulley, Backside, Dual, 3-5/8 inch Diameter
AC601-538	Idler, Pulley, Single, "A" Groove, 3-3/4 inch Diameter
50-62051-00	Idler, Pulley, Poly V, 6-Groove, Single, 3-1/4 inch Diameter
AC601-548	Spacer, Fan, 1 inch, 6CTA, 8.3 Cummins
AC601-524	Bolt, Shoulder, Single Bearing Idler
AC601-547	Manifold Assembly, Ford, 7.3 Liter, (Seltec)



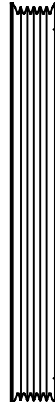
6.2 PULLEYS



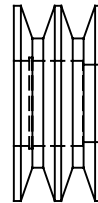
50-62014-00



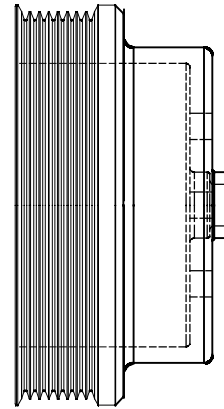
50-62029-00



50-62009-00



50-62011-00

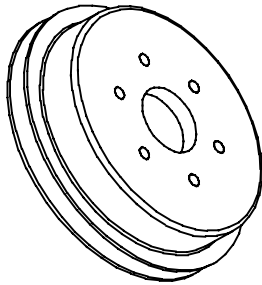


50-62025-00

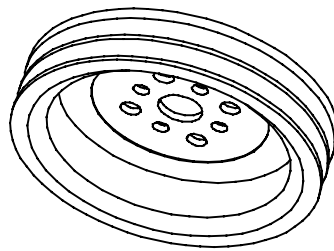
Part Number	Description
AC601-336	Pulley, Crank, Dual "B" Groove, (Cummins 6BT)
AC051-1116P	Pulley, Crank, Dual "A" Groove, Add-On, (94 I.H. T444E)
AC051-1111P	Pulley, Water Pump, Backside, Add-On, (I.H. 444E)
AC051-1112P	Pulley, Water Pump, Backside, (I.H. 444E)
50-62002-00	Pulley, Crank, 6 BTA, 2 B-Grooves
50-62003-00	Pulley, Dual, Water Pump, Navistar, T444E
50-62005-00	Pulley, Crank, 94-97 T444E Conventional
50-62006-00	Pulley, Crank, Cummins, 6BT - 6BTA
50-62007-00	Pulley, Add-On, 97 Ford, 6.8L - V10
50-62009-00	Pulley, Add-On Fan Idler, Cat 3126
50-62009-02	Pulley, Fan Idler, Add-On, 2002 Cat 3126
50-62011-00	Pulley, Idler, 2 B-Grooves
50-62012-00	Pulley, Crank, Poly-V6, IH, DT466/530
50-62014-00	Pulley, Crank, 6 Groove Poly-V, T444E I.H.
50-62017-00	Pulley, Backside Idler
50-62025-00	Pulley, Poly-V, 8 Groove, Fan Hub, Add-On, Cat 3126



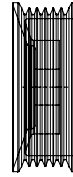
6.3 PULLEYS



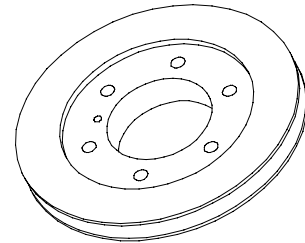
50-62031-00



50-62041-00

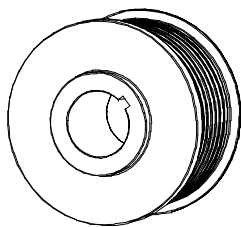


50-62051-00

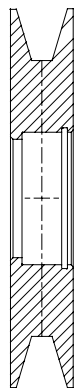


50-62054-00

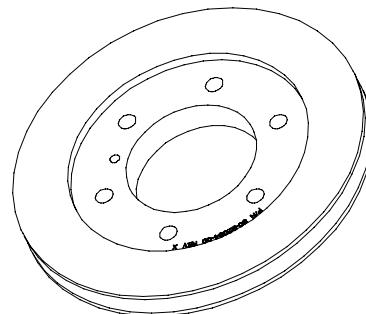
Part Number	Description
50-62029-00	Pulley, Fan Hub Add-On, 8 Groove Poly-V & "A" Groove, Painted Black, (Mercedes)
50-62031-00	Pulley, Cat 3126 & C7, VGR
50-62032-00	Pulley, Crank, Add-On, 466, V-Belt
50-62040-00	Pulley, Crank, Add-On, ISB02, 2 B-Grooves
50-62041-00	Pulley, 2 A-Grooves, 7.00" Dia.
50-62045-00	Pulley, Idler, Backside, 4.5" OD X 1.75"
50-62045-01	Pulley, Idler, Backside, 4.5" OD X 1.75" (Larger Bearing)
50-62048-00	Pulley, Crank, Add-On, 04 Ford, 6.0L, 6 Groove Poly-V
50-62049-00	Pulley, Backside Idler, Stamped Steel (Goodyear)
50-62051-00	Pulley, Idler, Poly-V, 6 Groove
50-62054-00	Pulley, Crank, Add-On, B-Groove
50-62056-00	Pulley, Pentex, Alternator, 8-Groove, Pentex



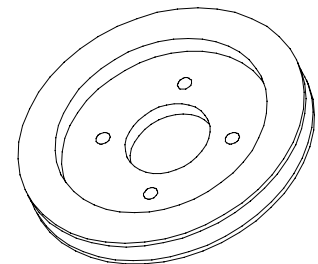
50-62056-00



50-62057-00



50-62064-00

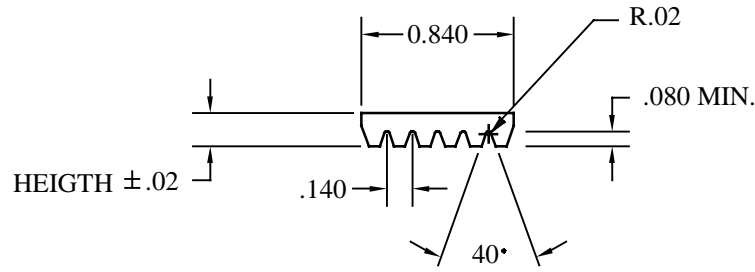


50-62066-00

50-62057-00	Pulley, Idler, 4.5" OD X 0.75", B-Groove
50-62059-00	Pulley, Water Pump, 6 Groove, Add-On
50-62064-00	Pulley, Crank, 05 ICRE 300, 1 A-Groove
50-62066-00	Pulley, Engine, 05 CE200, 365
50-62069-00	Pulley, Idler, Backside, Stamped Steel (Dayco)
50-62070-00	Pulley, Idler, Backside, 6.00" OD X 1.75"
50-62070-01	Pulley, Idler, Backside, 6.00" OD X 1.75", (Larger Bearing)
50-62072-00	Pulley, Idler, Dual, A-Groove
50-62073-00	Pulley, Idler, Backside, Stamped Steel (Ford)



6.4 BELTS, POLY-V, 6 GROOVES, 0.840 WIDTH



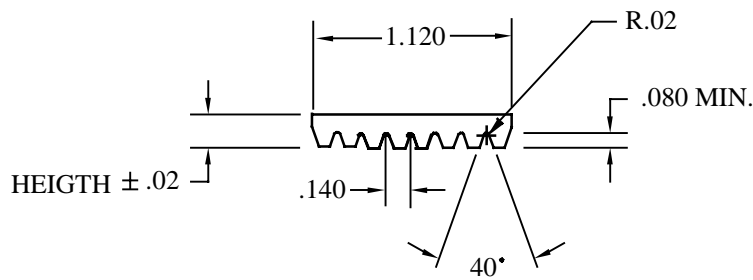
Part Number	Description	Length (Inches)
50-62000-00	BELT, POLY-V, 6 GROOVE	66.00
50-62000-01	BELT, POLY-V, 6 GROOVE	99.50
50-62000-08	BELT, POLY-V, 6 GROOVE	48.50
50-62000-09	BELT, POLY-V, 6 GROOVE	64.00
50-62000-11	BELT, POLY-V, 6 GROOVE	98.00
50-62000-12	BELT, POLY-V, 6 GROOVE	59.00
50-62000-16	BELT, POLY-V, 6 GROOVE	54.80
50-62000-17	BELT, POLY-V, 6 GROOVE	120.00
50-62000-18	BELT, POLY-V, 6 GROOVE	91.60
50-62000-19	BELT, POLY-V, 6 GROOVE	57.00
50-62000-20	BELT, POLY-V, 6 GROOVE	63.00
50-62000-22	BELT, POLY-V, 6 GROOVE	128.00
50-62000-24	BELT, POLY-V, 6 GROOVE	107.50
50-62000-25	BELT, POLY-V, 6 GROOVE	74.50
50-62000-26	BELT, POLY-V, 6 GROOVE	113.00
50-62000-27	BELT, POLY-V, 6 GROOVE	72.00
50-62000-28	BELT, POLY-V, 6 GROOVE	52.00
50-62000-30	BELT, POLY-V, 6 GROOVE	91.60
50-62000-31	BELT, POLY-V, 6 GROOVE	72.00
50-62000-32	BELT, POLY-V, 6 GROOVE	52.80
50-62000-33	BELT, POLY-V, 6 GROOVE	96.10
50-62000-36	BELT, POLY-V, 6 GROOVE	87.10
50-62000-37	BELT, POLY-V, 6 GROOVE	76.90
50-62000-38	BELT, POLY-V, 6 GROOVE	103.10
50-62000-46	BELT, POLY-V, 6 GROOVE	83.70
50-62000-48	BELT, POLY-V, 6 GROOVE	110.60
50-62000-50	BELT, POLY-V, 6 GROOVE	67.50
50-62000-52	BELT, POLY-V, 6 GROOVE	73.50
50-62000-53	BELT, POLY-V, 6 GROOVE	88.30
50-62000-54	BELT, POLY-V, 6 GROOVE	72.60
50-62000-55	BELT, POLY-V, 6 GROOVE	70.60
50-62000-57	BELT, POLY-V, 6 GROOVE	75.50
50-62000-60	BELT, POLY-V, 6 GROOVE	52.80
50-62000-61	BELT, POLY-V, 6 GROOVE	139.60
50-62000-62	BELT, POLY-V, 6 GROOVE	118.00
50-62000-63	BELT, POLY-V, 6 GROOVE	126.50



6.4 BELTS, POLY-V, 6 GROOVES, 0.840 WIDTH - Continued:

Part Number	Description	Length (Inches)
50-62000-68	BELT, POLY-V, 6 GROOVE	59.40
50-62000-78	BELT, POLY-V, 6 GROOVE	123.00
50-62000-79	BELT, POLY-V, 6 GROOVE	54.00
50-62000-80	BELT, POLY-V, 6 GROOVE	54.50
50-62000-81	BELT, POLY-V, 6 GROOVE	55.50
50-62000-84	BELT, POLY-V, 6 GROOVE	43.50
50-62000-85	BELT, POLY-V, 6 GROOVE	142.00
50-62000-86	BELT, POLY-V, 6 GROOVE	124.50
50-62000-87	BELT, POLY-V, 6 GROOVE	77.00
50-62000-91	BELT, POLY-V, 6 GROOVE	57.80
50-62000-92	BELT, POLY-V, 6 GROOVE	55.90
50-62000-95	BELT, POLY-V, 6 GROOVE	136.00
50-62000-96	BELT, POLY-V, 6 GROOVE	55.00
50-62000-97	BELT, POLY-V, 6 GROOVE	60.50

6.5 BELTS, POLY-V, 8 GROOVES, 1.120 WIDTH

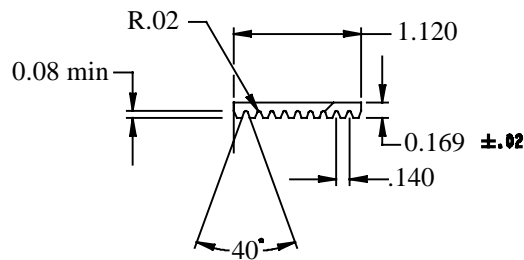


Part Number	Description	Length (Inches)
50-62000-06	BELT, POLY-V, 8 GROOVE	58.00
50-62000-13	BELT, POLY-V, 8 GROOVE	60.50
50-62000-14	BELT, POLY-V, 8 GROOVE	60.00
50-62000-15	BELT, POLY-V, 8 GROOVE	121.00
50-62000-21	BELT, POLY-V, 8 GROOVE	81.00
50-62000-23	BELT, POLY-V, 8 GROOVE	91.00
50-62000-29	BELT, POLY-V, 8 GROOVE	112.50
50-62000-39	BELT, POLY-V, 8 GROOVE	104.50
50-62000-40	BELT, POLY-V, 8 GROOVE	123.00
50-62000-41	BELT, POLY-V, 8 GROOVE	120.20
50-62000-43	BELT, POLY-V, 8 GROOVE	126.50
50-62000-44	BELT, POLY-V, 8 GROOVE	100.70
50-62000-47	BELT, POLY-V, 8 GROOVE	127.50
50-62000-58	BELT, POLY-V, 8 GROOVE	149.00
50-62000-59	BELT, POLY-V, 8 GROOVE	95.00
50-62000-65	BELT, POLY-V, 8 GROOVE	52.00
50-62000-66	BELT, POLY-V, 8 GROOVE	131.30
50-62000-67	BELT, POLY-V, 8 GROOVE	125.30
50-62000-69	BELT, POLY-V, 8 GROOVE	107.50



6.5 BELTS, POLY-V, 8 GROOVES, 1.120 WIDTH - Continued:		
Part Number	Description	Length (Inches)
50-62000-70	BELT, POLY-V, 8 GROOVE	95.20
50-62000-71	BELT, POLY-V, 8 GROOVE	82.00
50-62000-72	BELT, POLY-V, 8 GROOVE	85.50
50-62000-73	BELT, POLY-V, 8 GROOVE	83.00
50-62000-74	BELT, POLY-V, 8 GROOVE	103.50
50-62000-75	BELT, POLY-V, 8 GROOVE	55.20
50-62000-76	BELT, POLY-V, 8 GROOVE	56.60
50-62000-77	BELT, POLY-V, 8 GROOVE	105.50
50-62000-82	BELT, POLY-V, 8 GROOVE	79.00
50-62000-83	BELT, POLY-V, 8 GROOVE	77.00
50-62000-88	BELT, POLY-V, 8 GROOVE	99.00
50-62000-89	BELT, POLY-V, 8 GROOVE	100.00
50-62000-90	BELT, POLY-V, 8 GROOVE	142.00

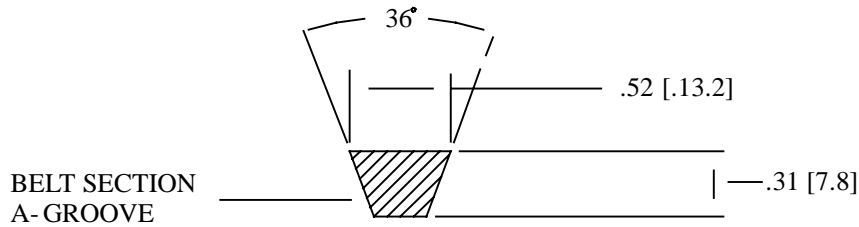
6.6 BELTS, POLY-V, 10 GROOVES, 1.380 WIDTH



Part Number	Description	Length (Inches)
50-62075-00	BELT, POLY-V, 10 GROOVE	103.00
50-62075-01	BELT, POLY-V, 10 GROOVE	87.50
50-62075-02	BELT, POLY-V, 10 GROOVE	105.00



6.7 V-BELT, SINGLE "A" GROOVE



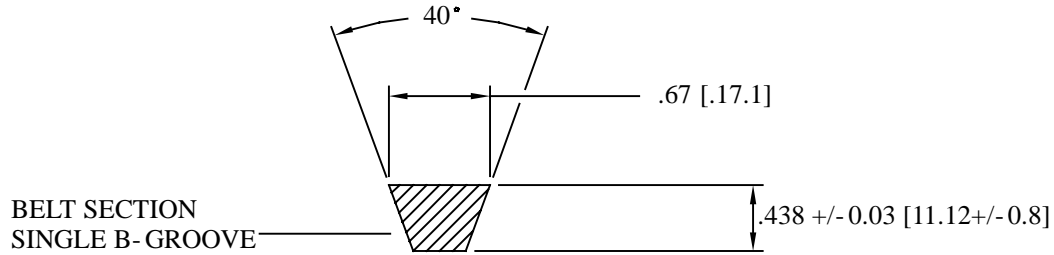
Part Number	Description	Length (Inches)
50-62019-00	V-BELT, SINGLE "A" GROOVE	75.00
50-62019-10	V-BELT, SINGLE "A" GROOVE	37.40
50-62019-11	V-BELT, SINGLE "A" GROOVE	39.90
50-62019-12	V-BELT, SINGLE "A" GROOVE	40.40
50-62019-15	V-BELT, SINGLE "A" GROOVE	42.90
50-62019-17	V-BELT, SINGLE "A" GROOVE	43.90
50-62019-18	V-BELT, SINGLE "A" GROOVE	44.90
50-62019-20	V-BELT, SINGLE "A" GROOVE	45.90
50-62019-22	V-BELT, SINGLE "A" GROOVE	46.90
50-62019-24	V-BELT, SINGLE "A" GROOVE	47.90
50-62019-25	V-BELT, SINGLE "A" GROOVE	48.40
50-62019-26	V-BELT, SINGLE "A" GROOVE	49.40
50-62019-27	V-BELT, SINGLE "A" GROOVE	50.40
50-62019-28	V-BELT, SINGLE "A" GROOVE	51.40
50-62019-29	V-BELT, SINGLE "A" GROOVE	52.40
50-62019-30	V-BELT, SINGLE "A" GROOVE	75.00
50-62019-31	V-BELT, SINGLE "A" GROOVE	53.40
50-62019-32	V-BELT, SINGLE "A" GROOVE	54.40
50-62019-34	V-BELT, SINGLE "A" GROOVE	55.90
50-62019-35	V-BELT, SINGLE "A" GROOVE	56.40
50-62019-37	V-BELT, SINGLE "A" GROOVE	58.40
50-62019-38	V-BELT, SINGLE "A" GROOVE	59.40
50-62019-39	V-BELT, SINGLE "A" GROOVE	60.40
50-62019-40	V-BELT, SINGLE "A" GROOVE	60.90
50-62019-42	V-BELT, SINGLE "A" GROOVE	62.40
50-62019-45	V-BELT, SINGLE "A" GROOVE	65.40
50-62019-46	V-BELT, SINGLE "A" GROOVE	66.40
50-62019-47	V-BELT, SINGLE "A" GROOVE	67.40
50-62019-48	V-BELT, SINGLE "A" GROOVE	68.40
50-62019-52	V-BELT, SINGLE "A" GROOVE	72.40
50-62019-53	V-BELT, SINGLE "A" GROOVE	73.40
50-62019-57	V-BELT, SINGLE "A" GROOVE	77.90
50-62019-59	V-BELT, SINGLE "A" GROOVE	44.00
50-62019-60	V-BELT, SINGLE "A" GROOVE	45.00
50-62019-61	V-BELT, SINGLE "A" GROOVE	47.00
50-62019-64	V-BELT, SINGLE "A" GROOVE	66.50
50-62019-67	V-BELT, SINGLE "A" GROOVE	86.00



6.7 V-BELT, SINGLE "A" GROOVE - Continued:

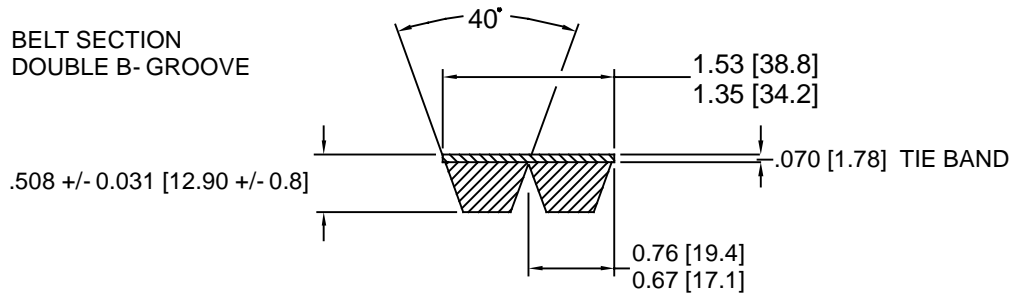
Part Number	Description	Length (Inches)
50-62019-68	V-BELT, SINGLE "A" GROOVE	88.00
50-62019-69	V-BELT, SINGLE "A" GROOVE	79.00

6.8 V-BELT, SINGLE "B" GROOVE



Part Number	Description	Length (Inches)
50-62010-17	V-BELT, SINGLE "B" GROOVE	92.90
50-62010-20	V-BELT, BANDED, 2 RIB	102.90

6.9 V-BELT, 2 GROOVE, BANDED



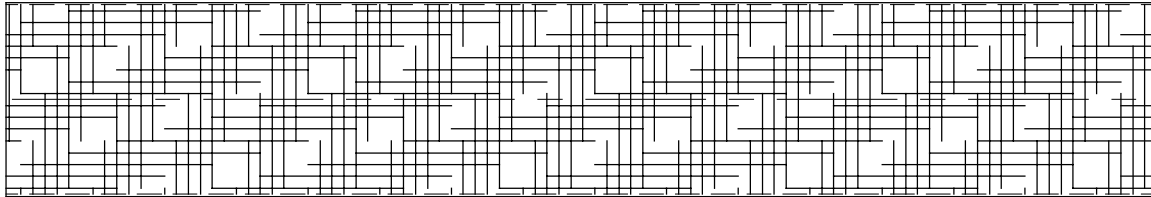
Part Number	Description	Length (Inches)
50-62010-00	V-BELT, BANDED, 2 RIB, COG	102.90
50-62010-01	V-BELT, BANDED, 2 RIB	92.90
50-62010-02	V-BELT, BANDED, 2 RIB	83.90
50-62010-03	V-BELT, BANDED, 2 RIB	89.90
50-62010-04	V-BELT, BANDED, 2 RIB	80.90
50-62010-06	V-BELT, BANDED, 2 RIB	95.90
50-62010-07	V-BELT, BANDED, 2 RIB	85.90
50-62010-13	V-BELT, BANDED, 2 RIB	76.90
50-62010-14	V-BELT, BANDED, 2 RIB	101.90
50-62010-20	V-BELT, BANDED, 2 RIB	102.90
50-62010-21	V-BELT, BANDED, 2 RIB	91.80
50-62010-22	V-BELT, BANDED, 2 RIB	91.60
50-62010-23	V-BELT, BANDED, 2 RIB	92.70



6.10 HOSE, MISCELLANEOUS

Part Number	Description
AC301-205	Hose, Duct, 2-1/2 Inch ID X 6 Foot (Section)
AC301-202	Hose, Radiator, 1-1/2 Inch ID
AC301-219	Hose, Radiator, 88 Ford 460, Add-On

6.11 INSULATION TUBE, (HEAT)

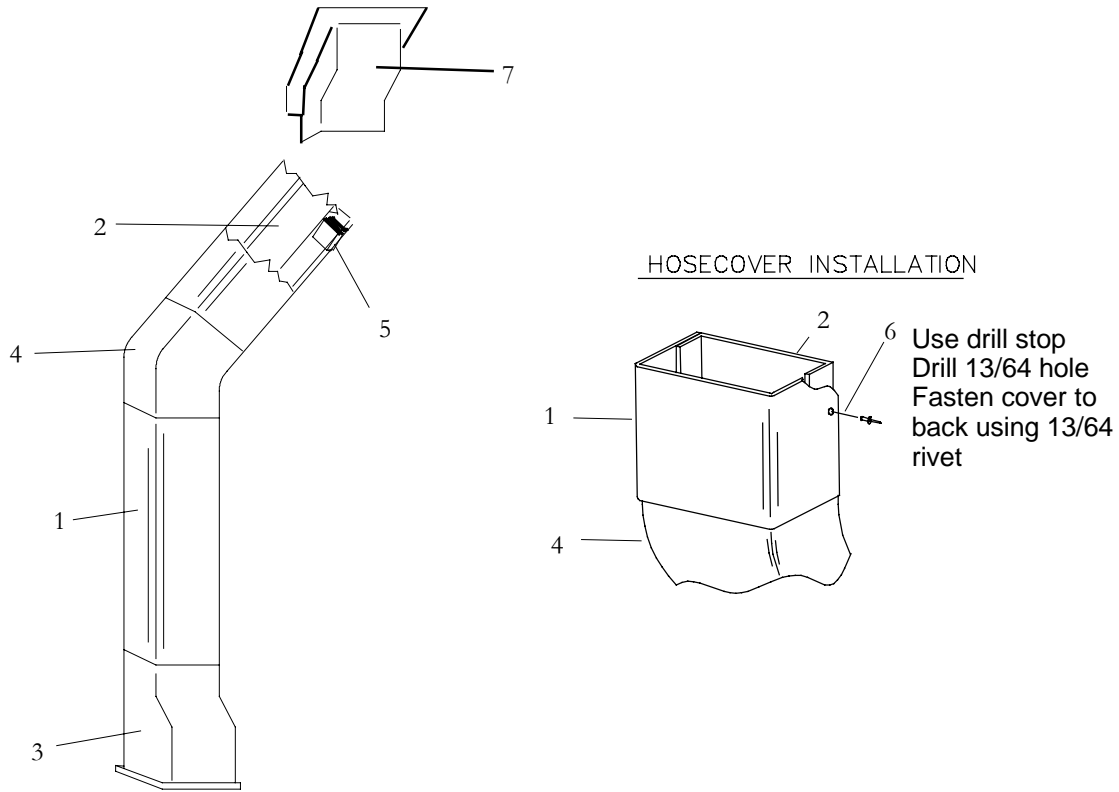


For protecting refrigerant hose in engine compartment or any other high heat areas

58-62062-00	Tube, Insulation, (Fyrejacket), 2 Inch I.D X 24 Inch, Fiberglass With Orange Silicone Rubber
58-62062-01	Tube, Insulation, (Fyrejacket), 2 Inch I.D X 48 Inch, Fiberglass With Orange Silicone Rubber
58-62062-02	Tube, Insulation, (Fyrejacket), 2 Inch I.D X 72 Inch, Fiberglass With Orange Silicone Rubber
58-62062-10	Tube, Insulation, (Fyrejacket), 2 Inch I.D X 1200 Inch, Fiberglass With Orange Silicone Rubber
58-62030-00	Tube, Insulation, 2 Inch I.D X 24 Inches, Fiberglass With Aluninum Cover
58-62030-01	Tube, Insulation, 2 Inch I.D X 48 Inches, Fiberglass With Aluninum Cover
58-62030-02	Tube, Insulation, 2 Inch I.D X 72 Inches, Fiberglass With Aluninum Cover
58-62030-10	Tube, Insulation, 2 Inch I.D X 100 Foot Roll, Fiberglass With Aluninum Cover

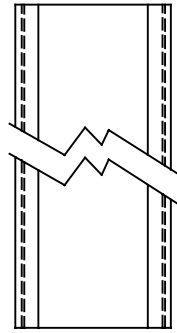
SECTION 7 - MISCELLANEOUS

7.1 HOSECOVERS AND ACCESSORIES

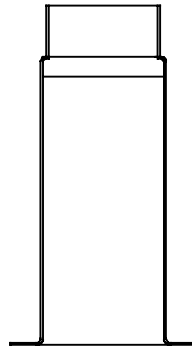


Item	Part Number	Description
1	AC010-007-1	Hosecover, Vinyl Coated Steel, 36 inch, (White)
	AC010-007-2	Hosecover, Vinyl Coated Steel, 36 inch, (Gray)
2	AC010-008	Hosecover, Back, 36 inch
	AC011-031	Hosecover, Back, 47 inch
3	AC011-032-1	Hosecover, Transition, (White) For use at Floor
	AC011-032-2	Hosecover, Transition, (Gray) For use at Floor
4	AC011-049-1	Hosecover, Elbow. 60°, (White)
	AC011-049-2	Hosecover, Elbow. 60°. (Gray)
5	AC701-103	Clip, Tinnerman, S-Type, (Hosecover)
6	AC701-401	Rivet, Pop, Steel, (SD62BS)
7	Y28-00041-01	Hosecover, Transition, (White) For use at Ceiling
	Y28-00041-00	Hosecover, Transition, (Gray) For use at Ceiling

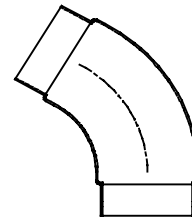
7.2 HOSECOVERS - 2 PIECE DESIGN



1



2



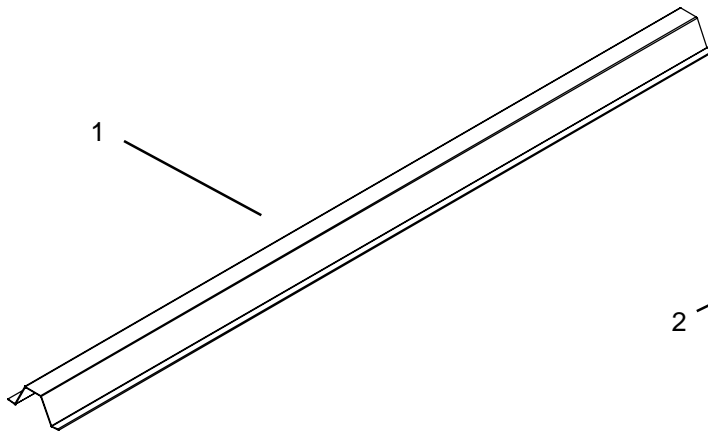
3



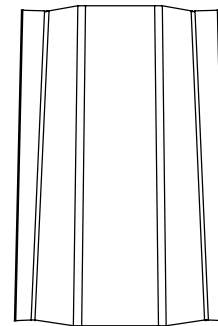
TOP VIEW

Item	Part Number	Description
1	58-01384-00	Hosecover, 2 Piece, Gray, 36 in.
	58-01384-01	Hosecover, 2 Piece, White, 36 in.
	58-01384-02	Hosecover, 2 Piece, Gray, 48 in.
	58-01384-03	Hosecover, 2 Piece, White, 48 in.
2	58-01383-00	Hosecover, Transition, Gray
	58-01383-01	Hosecover, Transition, White
	58-62184-00	Hosecover, Transition, Gray
	58-62191-00	Hosecover, Transition, ABS, Gray
3	58-01382-00	Corner Cover, 60 Degree Elbow, Gray
	58-01382-01	Corner Cover, 60 Degree Elbow, White

7.3 HOSECOVERS - 1 PIECE DESIGN, GRAY (ABS Plastic)



1

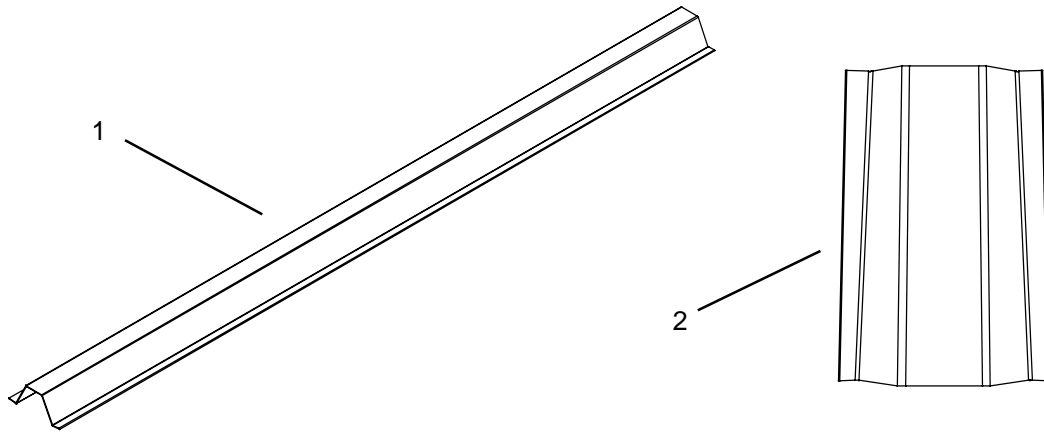


2

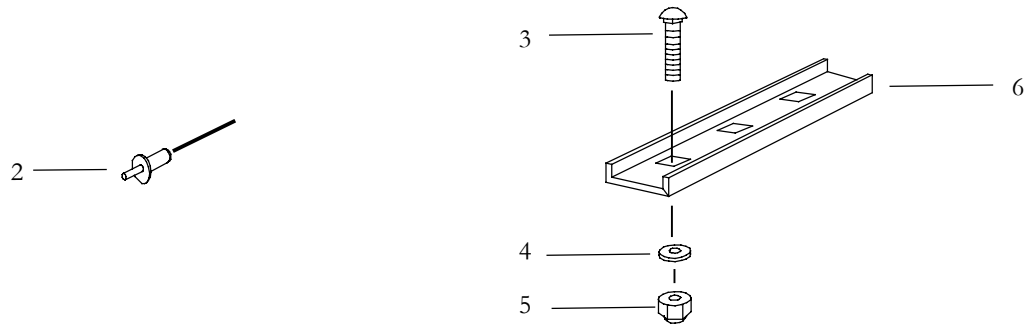
Item	Part Number	Description	
1	58-62204-00	Hose Cover, Gray, 52.00" LG, For Use in IC Made Buses	1
2	58-62205-00	Hose Cover, Transition, Gray, 7.00" LG, For Use in IC Made Buses	1



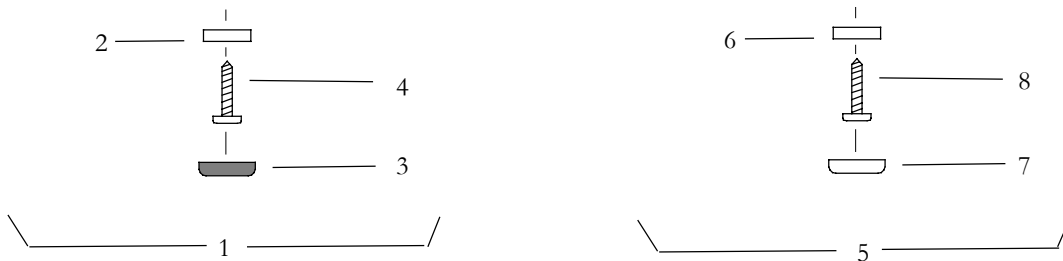
7.3.1 HOSECOVERS - 1 PIECE DESIGN, OYSTER WHITE (Metal)



Item	Part Number	Description	
1	Y24-00550-00	Hose Cover, Oyster White, 52.00" LG, For Use in IC Made Buses	1
2	Y24-00551-00	Hose Cover, Transition, Oyster White, 7.00" LG, For Use in IC Made Buses	1

7.4 HARDWARE KIT, EVAPORATOR MOUNTING TO CHANNELS, (REAR)


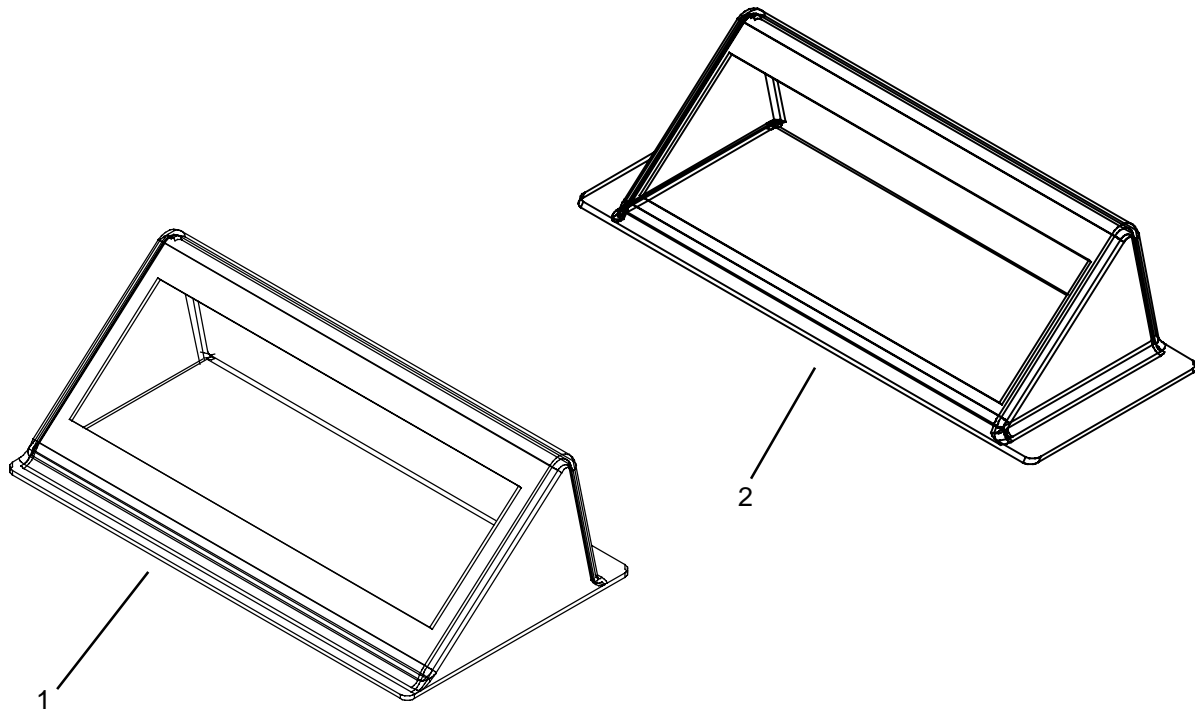
Item	Part Number	Description	
1	76-62103-01	Hardware Kit, Unit Mounting To Channels, Includes:	1
2	AC701-403 Rivet, Pop, 1/8-Steel	3
3	34-01310-01 Bolt, Carriage, Round Head, 3/8-16 X 4 Inches, Zinc plated	4
4	34-00588-13 Washer, Flat, 3/8 Inch, Zinc Plated	4
5	34-00361-13 Nut, Hex, Lock, 3/8-16, Zinc Plated	4
6	AC020-009	Channel, Mounting, 3/16 X 30 Inches Long	2
	AC021-360	Channel, Mounting, 3/16 X 15.75 Inch, (Model 77-62112-80 & -82 Only)	2

7.5 HARDWARE KIT, EVAPORATOR COVER MOUNTING, (REAR AND SIDE MOUNT)


Item	Part Number	Description	
1	76-62103-00	Hardware Kit, Cover Mounting To Unit, Gray, Includes:	1
2	AC801-529 Washer, Snap Cap	8
3	AC801-532 Snap Cap, Gray	8
4	34-62046-00 Screw, Pan Head, Phillips, #10 X 5/8 Inch, AB, Black	8
5	76-62103-04	Hardware Kit, Cover Mounting To Unit, White, Includes:	1
6	AC801-529 Washer, Snap Cap	8
7	AC801-531 Snap Cap, White	8
8	34-50044-00 Screw, Pan Head, Phillips, #10 X 5/8 Inch, AB, Black	8



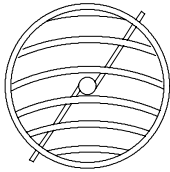
7.6 DEFLECTORS



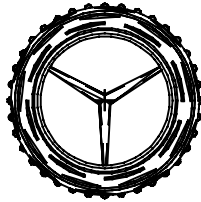
Item	Part Number	Description	
1	58-62185-00	Deflector, Gray, 8.50" x 4.75", ABS	1
	58-62185-01	Deflector, White, 8.50" x 4.75", ABS	1
2	58-01398-00	Deflector, Lt. Gray, 9.56" x 3.57", ABS	1
	58-01398-01	Deflector, White, 9.56" x 3.57", ABS	1



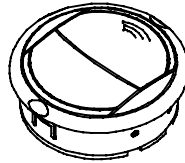
7.7 LOUVERS



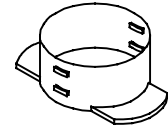
AC401-300



58-01379-00

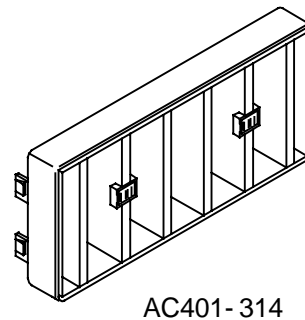
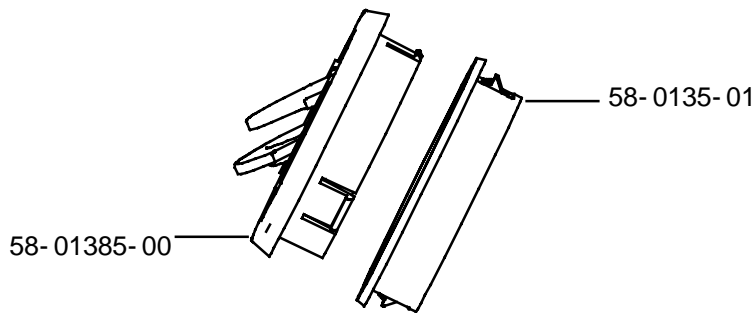


58-62077-00



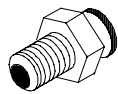
AC401-307

Part Number	Description
AC401-300	Grill, Round, 2 inch
AC401-301	Grill, Round, 3 inch
AC401-302	Louver, With Bezel - Black, 2 Inch X 1-1/2 Inch
58-01386-00	Ball Louver - 2-1/2 Inch Black, With Hose Back
AC401-306	Mounting Ring, Black - 2-1/4 Inch I.D.
AC401-307	Hose Adapter - 2-1/2 Inch
AC401-308	Louver, With Bezel - Black, 3 Inch X 7 Inch
AC401-309	Louver, Ball, 2 inch
AC401-310	Hose Connector - 2 Inch X 2-1/2 Inch
58-01379-00	Ball Louver, 2 Inch Black (Triple Vane) With 2.5 Inch Hose Adapter & Lock Ring
AC401-312	Louver Assembly With 2-1/2 Adapter, (401-313)
AC401-313	Louver Cover, (401-312)
AC401-314	Louver With Bezel - Black, 3-1/4 Inch X 7-3/4 Inch
AC401-315	Louver, With Bezel, Black, 1-1/2 inch X 4-3/4 inch
AC401-320	Louver, EM-1-2-3-6-14 (Gen III & GEN 4)
AC401-322	Adapter, Hose, 2 inch
AC401-323	Adapter, Hose, 3 inch
58-62077-00	Louver, Round, 2-1/2 Inch
58-01385-00	Louver, 3" (Requires 1 Ring 58-01385-01)
58-01385-01	Ring, Louver, Used With 58-01385-00

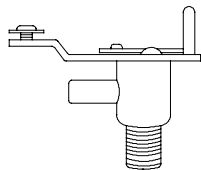




7.8 REFRIGERATION COMPONENTS



Valve, Air Vent



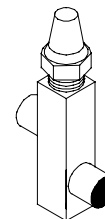
Valve - Heat Control



Core - Access Valve



Valve Body



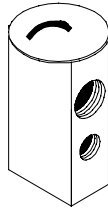
Shut- Off Valve

Part Number	Description
40-00081-00	Valve, Air Vent, 1/8 Inch MPT, Brass
AC101-408	Valve, Discharge, 5/8I Inch OD Tube
AC101-405	Valve, Drain Cock, 1/8 Inch MPT
AC101-406	Valve, Drain Cock, 1/4 Inch MPT
AC101-403	Valve, Water Service, Hand Operated
AC101-400	Valve, Heat Control, Cable Operated, (EM-21)
AC101-412	Valve, Refrigerant, 1/2 Inch Flare X 1/2 Inch Flare
AC101-415	Valve, Refrigerant, Angle, 1/2 Inch Flare X 1/2 Inch Flare
AC101-429	Valve, Shutoff, 1/2 Inch Flare X 1/2 Inch Flare
AC101-430	Valve, Shutoff, 1/2 Inch Female Flare X 1/2 Inch Male Flare O-Ring
AC101-428	Valve, Shutoff, 1/2 Inch Female Flare O-Ring X 1/2 Inch Male O-Ring
AC101-441	Valve, Shutoff, 5/8 inch Female O-Ring X 5/8 Inch Male O-Ring
EP32UZ232	Valve, Shutoff, 5/8 Inch Solder
AC101-404	Valve, Solenoid, 12 VDC, Refrigerant
AC101-401	Valve, Solenoid, 12 VDC, Water Service
AC101-407	Valve, Suction, 7/8 Inch OD Tube
AC101-425	Valve, 4-Way, Toggle, (Pivot Base)
AC101-426	Regulator, With Gauge, (Use with AC101-427)
AC101-427	Bracket, Regulator, (Use with AC101-426)
40-00190-00	Valve Body, 1/4 Inch MFL X 1/8 Inch MPT
17-13010-00	Fitting Access, 1/8 Inch MPT X 1/4 Inch Flare, With Schrader, Brass - Includes:
DD19CA061	...Cap, Seal, Flare, 1/4 Inch, Brass
14-00351-00	...Core, Access Valve (Nickel Plated)

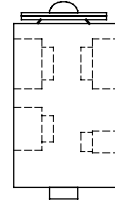


7.9 THERMAL EXPANSION VALVE, BLOCK

R- 12
VALVE

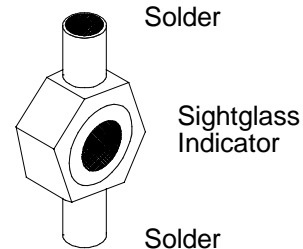
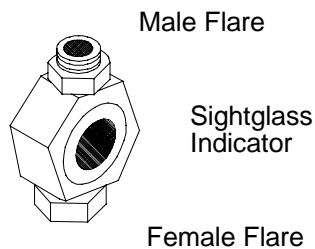


R- 134A
VALVE
14- 00301



N/A	Thermal Expansion Valve, Block, R12 (AC101-100)
AC040-076	Thermal Expansion Valve, Block, R12, (EM-21)
AC101-103	Thermal Expansion Valve, Block, R22
14-00301-03	Thermal Expansion Valve, Block, R134a (GEN III, GEN 4 & GEN 5)
AC040-103	Thermal Expansion Valve, Block, R134a, (EM-21)
AC101-101	Thermal Expansion Valve, 3/8 Inch Flare X 1/2 Inch Flare
AC101-102	Thermal Expansion Valve, 3/8 Inch O-Ring X 1/2 Inch O-Ring
AC101-108	Thermal Expansion Valve, 4 Ton, Externally Equalized, R12 / R134a

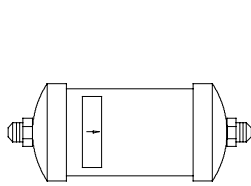
7.10 SIGHTGLASSES



Part Number	Description
AC101-200	Sightglass Indicator. 1/2 Inch Male Flare X 1/2 Inch Female Flare (GEN 4) Includes:
P806-B2-8Gasket, Flare, 1/2 SAE, Copper
AMI1SS3	Sightglass Indicator. 3/8 Inch Solder X 3/8 Inch Solder (AC101-201)
KM43AG301	Sightglass Indicator. 5/8 Inch Solder X 5/8 Inch Solder
AC101-202	Sightglass, Bullseye, 7/8-14 Thread (GEN III)
AC101-203	Sightglass, Moisture Indicator, 7/8-14 Thread (GEN 4 - GEN-V)



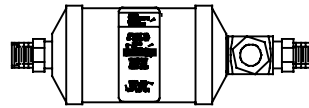
7.11 DRIERS



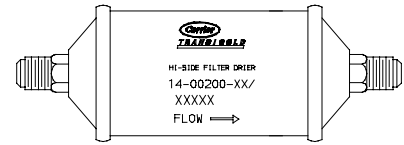
1, 2



5



11



12

Item	Part Number	Description
1	AC101-303	Filter Drier, 16 Cubic Inch, 1/2 Inch Flare
2	AC101-312	Filter Drier, 16 Cubic Inch, 1/2 Inch Flare-O, (GEN 4)
3	N/A	Receiver Drier, 3/8 Inch Flare (AC101-301)
4	AC101-302	Receiver Drier, 3/8 Inch O-Ring, With Low Pressure Switch
5	AC101-311	Receiver Drier, 3/8 Inch Male O-Ring X 3/8 Inch Male O-Ring
6	AC101-304	Receiver Drier, Push-On, #8 Hose
7	AC101-305	Receiver Drier, Push-On, #6 Hose
8	AC101-307	Receiver Tank, (RF Series)
9	AC101-310	Receiver, Vertical, (CM-8)
10	AC101-306	Filter, Suction, 5/8 Inch Flare
11	14-00288-00	Filter Drier/Sightglass, 16 Cubic Inch, 1/2 Inch MO-R, (With Moisture Indicator)
12	14-00200-00	Filter Drier, 41 Cubic Inch, 5/8 Inch Flare
13	14-00320-00	Filter Drier, 41 Cubic Inch, 3/4 ORS (IN) X 5/8 ORS (OUT)



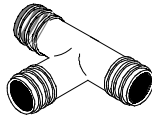
7.12 PLASTIC FITTINGS



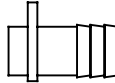
NYLON SPLICER



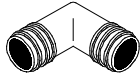
MPT TO BARB



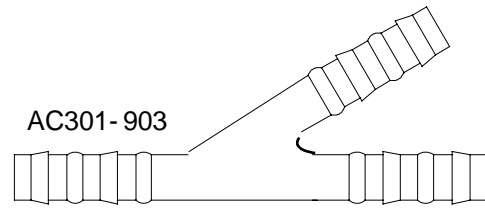
PLASTIC DRAIN TEE



Drain Pan Nipple



PLASTIC DRAIN ELBOW

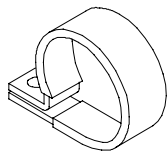


“Y” DRAIN LINE CONNECTION

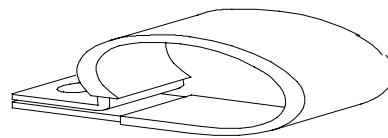
AC301-900	Fitting, Plastic, Drain Elbow, 90°, 1/2 Inch OD
AC301-901	Fitting, Plastic, Drain Tee, 1/2 Inch OD
AC301-902	Fitting, Plastic, Drain Tube, Straight, 1/2 Inch OD, Anti-Slip
AC301-903	Fitting, Plastic, Heater, “Y”, 5/8 OD or 3/4 Inch OD
N/A	Fitting, Plastic, Drain Tube, 90°, 1/2 inch OD, (EM-14) (AC301-904)
AC301-905	Elbow, Nylon, 90°, 1/4 Inch MPT, X 1/2 Inch Hose
AC301-907	Fitting, Plastic, Drain Tee, 5/8 Inch OD, (GEN III & GEN 4)
AC301-908	Fitting, Nylon, Drain Elbow, 90°, 5/8 Inch OD, (GEN III & GEN 4)
AC301-908-5	Fitting, Nylon, Drain Elbow, 90°, 1 Inch OD, (Blue Bird)
40-00541-00	Fitting, Hose, Plastic, 1 Inch MPT X 1 Inch “Barb”, (Black)
40-00541-01	Fitting, Hose, Plastic, 3/4 Inch MPT X 1 Inch “Barb”, (Black)
40-00541-02	Fitting, Hose, Plastic, 3/4 Inch MPT X 1 Inch “Barb”, (White)
58-62142-02	Fitting, Splicer, Nylon, 1/2 Inch OD
58-62142-03	Fitting, Splicer, Nylon, 5/8 Inch OD
58-01380-00	Fitting, Hose, Nylon “Y”, 5/8-3/4 Inch, Barbed (Black)
58-62159-00	Tube, Plastic, Drain Pans, GEN 5
58-50123-00	Fitting “Y” Connector, 1/2 “ OD Nylon Hose Barb



7.13 INSULATED CLAMPS



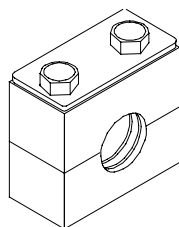
INSULATED CLAMP



INSULATED CLAMP - DOUBLE HOSE

Part Number	Description
34-00373-51	Clamp, Insulated, 1/4 Inch ID, Black
34-00373-53	Clamp, Insulated, 3/8 Inch ID, Black
34-00373-05	Clamp, Insulated, 1/2 Inch ID, Black
AC701-201	Clamp, Insulated, 5/8 Inch ID, Adel
44-00337-08	Clamp, Insulated, 3/4 Inch ID, Adel (AC701-221)
AC701-222	Clamp, Insulated, 7/8 Inch ID, Adel
44-00337-11	Clamp, Insulated, 1 Inch ID, Adel (AC701-223)
AC701-224	Clamp, Insulated, 1-1/8 Inch ID, Adel
AC701-245	Clamp, Insulated, 1-1/4 Inch ID, Black
AC701-230	Clamp, Insulated, 1-1/2 Inch ID, Black
AC701-263	Clamp, Insulated, Heavy Duty, 1-1/2 Inch ID, Black
AC701-246	Clamp, Insulated, 1-3/8 Inch ID, Black
AC701-227	Clamp, Insulated, 1-3/4 Inch ID, Black
34-00373-27	Clamp, Insulated, 1-7/8 Inch ID, Black
AC701-233	Clamp, Insulated, Double, 5/8 Inch OD, Tube
AC701-226	Clamp, Insulated, Double Hose, Black

7.14 STAUFF CLAMPS

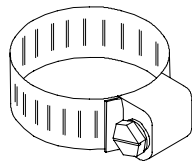


STAUFF CLAMP

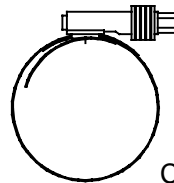
AC701-248	Clamp, Stauff, 5/8 Inch OD Tube
AC701-242	Clamp, Stauff, 3/4 Inch OD Tube
44-00285-72	Clamp, Stauff, 7/8 Inch OD Tube
AC701-241	Clamp, Stauff, 1-1/8 Inch OD Tube
AC701-240	Clamp, Stauff, 1-3/8 Inch OD Tube
AC701-254	Clamp, Stauff, 1-3/8 Inch OD Tube, High Temperature



7.15 HOSE CLAMPS



HOSE CLAMP



44-62003-00 THRU -03
CLAMP, CONSTANT TORQUE

Part Number	Description
AC701-205	Clamp, Drain Hose
AC701-207	Clamp, #16 Hose
AC701-211	Clamp, Hose, Mini, 7/32 Inch to 5/8 Inch Diameter
44-00045-28	Clamp, Hose, 1/2 Inch to 1-1/4 Inch Diameter (NSI)
AC701-229	Clamp, Hose, 1-1/8 Inch to 3 Inch Diameter
AC701-210	Clamp, Hose, 1-5/16 Inch to 2-1/4 Inch Diameter
AC701-247	Clamp, Hose
AC701-269	Clamp, Hose, 2-1/16 Inch to 3 Inch, Stainless Steel,, (GEN III / GEN 4)
44-62003-00	Clamp, Constant Torque (Effective Range: 2.75 - 3.62)
44-62003-01	Clamp, Constant Torque (Effective Range: 3.25 - 4.13)
44-62003-02	Clamp, Constant Torque (Effective Range: 1.75 - 2.63)
44-62003-03	Clamp, Constant Torque (Effective Range: 2.25 - 3.13)

7.16 CONDENSATE VALVE & DRAIN HOSE



301-200-50



AC301-239



AC301-204

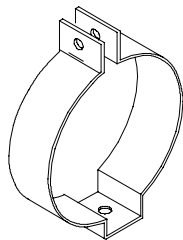


AC301-240

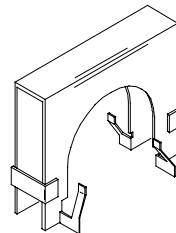
Part Number	Description
AC301-204	Hose, Condensate Valve, 1 Inch X 3 inch Long, GEN I, GEN II & GEN 5 (Kazoo)
AC301-240	Hose, Condensate Valve, 1-1/4 Inch X 3 inch Long, GEN III & GEN 4 (Kazoo)
301-200-50	Hose, Drain, 1/2 Inch ID X 50 Feet Long, (GEN I, GEN II & GEN 5)
AC301-239	Hose, Drain, 5/8 Inch ID X Foot, (GEN III & GEN 4)



7.17 MISCELLANEOUS CLAMPS



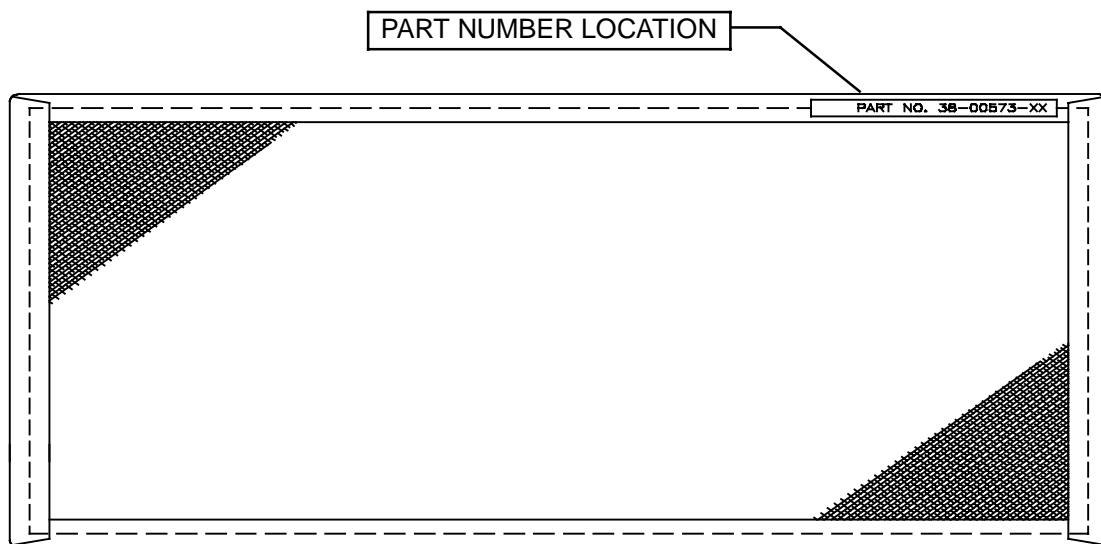
Filter Drier Mounting Clamp



Spring-Lock Clip

N/A	Clip, Spring-Lock, #8 (AC701-251)
N/A	Clip, Spring-Lock, #10 (AC701-252)
N/A	Clip, Spring-Lock, #12 (AC701-253)
AC701-235	Clamp, Lock, #6 to #12 Hose
AC701-243	Clamp, Conduit, 3 Inch, Stainless Steel
AC701-208	Clamp, Filter Drier Mounting, (GEN I & II)
AC701-212	Clamp, Muffler, 1-1/2 Inch
AC701-231	Clamp, One Hole Strap, 2 Inch ID, (CM-9)
AC701-274	Clamp, Slotted, 3/8 Inch Conduit, (GEN III & GEN 4)
AC701-206	Clamp, Thermostat Coil
AC701-237	Connector, Romex, 1/2 Inch

7.18 RETURN AIR FILTERS



Part Number	Description
38-00573-00	Filter, Return Air, EM-22, 13.82 x 8.00 Inches (351.0 x 203.2 MM)
38-00573-01	Filter, Return Air, EM-1, 36.50 x 9.00 Inches (927.1 x 228.6 MM)
38-00573-02	Filter, Return Air, EM-2, 27.92 x 9.00 Inches (709.2 x 228.6 MM)
38-00573-03	Filter, Return Air, EM-7, 20.65 x 9.00 Inches (524.5 x 228.6 MM)
38-00573-04	Filter, Return Air, EM-3, 26.81 x 9.00 Inches (681.0 x 228.6 MM)
38-00573-05	Filter, Return Air, IW-7, 19.00 x 5.50 Inches (482.6 x 139.7 MM)
38-00573-06	Filter, Return Air, IW-2, 26.30.82 x 5.75 Inches (668.0 x 146.1 MM)
38-00573-07	Filter, Return Air, EM-3 Gen 4, 26.25 x 8.00 Inches (666.8 x 203.2 MM)



7.18 RETURN AIR FILTERS (Continued)	
38-00573-08	Filter, Return Air, IW-1, 34.00 x 6.40 Inches (863.6.0 x 162.6 MM)
38-00573-09	Filter, Return Air, ESS, 18.20 x 8.00 Inches (462.3 x 203.2 MM)
AC801-405	Filter, Return Air, EM-1 (G4), 35.00 x 7.25 Inches (889 x 184.2 MM)
AC801-452	Filter, Return Air, EM-3 (G4), 26.25 x 8.25 Inches (666.8 x 209.6 MM)
AC801-462	Filter, Return Air, EM6 (G4), 19.00 x 8.00 Inches (482.6 x 203.2 MM)
AC801-461	Filter, Return Air, EM-14 (G4), 28.50 x 5.00 Inches (723.9 x 127 MM)
AC801-443	Filter, Return Air, EM17 (G4), 41.50 x 12.5 Inches (1054.1 x 317.5 MM)
38-00558-00	Filter, Return Air, EM9 (G4), 18.25 x 6.50 Inches (463.6 x 165.1 MM)



INDEX

PART NO.	PAGE NO.	PART NO.	PAGE NO.
0		08-62076-00	156, 158
02-00067-01	265	08-62080-00	143
022-313-1	149	08-62081-00	227
04-50023-00	100, 101, 102, 104, 313	08-62081-01	227
08-01068-00	7, 17, 113	1	
08-01068-01	32, 42, 49	10-00286-00	308
08-01068-02	75, 84	10-00286-03	308, 336
08-50018-00	222	10-00286-09	308, 336, 337, 339
08-50020-00	223	10-00286-12	308
08-62005-00	211, 213	10-00286-14	308
08-62023-00	100	10-00300-00	211
08-62035-00	170	10-00300-02	337, 339
08-62035-01	189	10-00311-00	336, 337, 339
08-62036-00	217, 220	10-00312-00	336, 337, 339
08-62038-00	253, 257, 259, 263	10-00317-01	221
08-62038-01	253, 257, 259, 263	10-00328-07	307, 308, 326, 327, 328, 329
08-62045-00	152	10-00436-01	336
08-62045-01	134	10-50052-00	311, 337, 339
08-62046-00	255, 261	10-50052-01	311, 337, 339
08-62046-01	255, 261	10-50067-00	108
08-62056-01	117, 118, 149	10-50068-00	108
08-62057-00	271	10-50069-00	108
08-62057-01	271	108-1921Z	297
08-62059-00	1, 3, 24, 27, 29	12-00299-01	101
08-62060-00	1, 24, 27	12-00299-02	100, 103
08-62061-00	67, 70	12-00299-09	100, 103
08-62062-00	67, 70	12-00299-11	211
08-62063-00	95	12-00299-18	100, 103
08-62064-00	95, 166, 168	12-00299-23	186, 187, 206, 207, 259, 263
08-62065-00	90	12-00305-04	121
08-62066-00	90	12-00305-07	323
08-62067-00	53, 63	12-00334-02	100, 103
08-62068-00	53, 63	12-00334-03	100, 103

INDEX

PART NO.	PAGE NO.	PART NO.	PAGE NO.
12-00512-00	322	14-01104-39	100, 103, 105
12-00512-02	322	14-50047-00	100, 103, 105
12-00533-00	8, 33, 59, 78	14-50097-00	108
12-00533-01	120	15-1505	110, 111
12-00547-00	153	17-10812-01	221
12-00567-00	322	17-13010-00	357
12-00570-00	322	17-31244-00	301, 302
12-00657-00	336, 337, 339	17-31248-00	302
12-00672-00	323	17-31258-00	299
12-00672-01	323	17-31262-00	302
12-00672-02	323	17-31307-00	299
12-00672-03	323	18-00073-00	303
12-00685-00	3, 7, 17, 24, 29, 32, 42, 49, 56, 63, 70, 75, 84, 113, 117, 118, 134, 144, 149, 156, 158, 166, 168, 310	18-00073-01	303
12-01132-00	211, 213	18-00093-00	293
12-50139-00	108, 109	18-00093-01	293
14-00026-04	253, 255, 259, 261	18-00093-05	296
14-00029-04	220, 253, 257, 259, 263	18-00093-06	297
14-00029-07	211, 213	18-00093-07	296, 297
14-00029-09	255, 261	18-00093-09	296, 297
14-00200-00	215, 359	18-00093-10	297
14-00288-00	170, 189, 227, 271, 359	18-00093-11	297
14-00301-03	358	18-00093-12	297
14-00320-00	253, 255, 259, 261, 359	18-00093-13	297
14-00326-05	233, 235	18-00093-14	293
14-00351-00	103, 105, 134, 153, 215, 233, 235, 237, 253, 255, 259, 261, 263, 357	18-00093-15	293
14-00397-00	1, 3, 7, 17, 24, 27, 29, 32, 42, 49, 53, 56, 63, 67, 70, 75, 84, 90, 95, 108, 109, 113, 117, 118, 134, 143, 149, 153, 156, 158, 166, 168	18-00093-16	293
14-01032-01	215, 234, 235, 237, 253, 255, 257, 259, 261, 263	18-00093-17	297
14-01042-08	221	18-10123-00	300
14-01104-37	101	18-10123-02	300
		18-10123-04	300
		18-10123-06	300
		18-10123-07	300
		18-10123-08	300
		18-10123-09	300
		18-60012-11	301

INDEX

PART NO.	PAGE NO.	PART NO.	PAGE NO.
2		22-01502-00	26, 51, 65, 72, 91, 92, 96, 97, 181, 182, 201, 202
201-412	149	22-01566-00	188, 208, 240, 241, 242, 265, 267, 269
21-1948	110, 111	22-01566-01	106, 107, 188, 208, 241, 242, 246, 247
21-2041	100, 102, 104	22-01584-00	100, 103
22-00066-01	91, 96, 145	22-01585-00	106, 188, 208, 240, 241, 242, 243, 244, 245, 246, 247, 265, 266
22-00066-03	91, 92, 96, 97, 119, 122, 137, 145, 150, 160	22-01585-02	222, 241, 242, 246, 247, 331, 332
22-00118-02	269	22-01585-04	265, 267, 269
22-00119-03	8, 9, 10, 33, 34, 35, 57, 59, 76, 77	22-01585-05	240, 241, 242, 243
22-00119-05	106, 107	22-01827-01	336
22-00121-25	57	22-01828-00	336
22-00121-27	8, 9, 10, 33, 34, 35, 57, 58, 59, 76, 77, 78, 79	22-02245-01	20, 45, 87
22-00872-01	9, 10, 21, 34, 35, 46, 59, 76, 77, 88, 107, 120, 145, 160	22-02245-02	8, 20, 21, 26, 33, 45, 46, 51, 57, 59, 65, 72, 76, 78, 87, 88, 91, 92
22-00872-03	10, 20, 21, 35, 45, 46, 59, 77, 87, 88, 120, 145, 160	22-02336-01	306
22-01139-02	9, 20, 34, 45, 58, 78, 87, 119, 122, 150	22-02336-02	306
22-01139-05	58	22-02336-04	306
22-01140-02	8, 9, 10, 20, 21, 33, 34, 45, 46, 57, 58, 59, 78, 79, 87, 88, 96, 97, 106, 107, 119, 121, 122, 137, 145, 150, 160	22-02336-06	211, 306, 336, 337, 339, 341
22-01140-04	9, 20, 34, 45, 58, 78, 87	22-02336-15	306
22-01140-05	57, 58	22-02336-16	336, 337, 339
22-01141-01	26, 51, 65, 72, 122, 150	22-02336-17	306, 307, 327, 328, 337, 339
22-01142-XX	26, 51, 65, 72	22-02336-21	341
22-01258-01	96, 97, 119, 120, 121, 122, 137, 145, 150, 160	22-02336-23	265
22-01334-00	309	22-02336-24	75, 265, 267
22-01334-07	309, 336, 338, 340	22-02336-25	150, 170, 172, 173, 174, 176, 179, 186, 189, 192, 193, 194, 196, 199, 206, 217, 267, 273, 275, 313
22-01334-09	309	22-02336-26	26, 51, 65, 72, 122, 180, 200, 273, 275
22-01334-11	309	22-02336-31	306
22-01334-13	309	22-02338-02	306
22-01449-00	337, 339	22-02338-03	265, 267
		22-02338-07	26, 51, 65, 72, 122, 150
		22-02392-00	106, 121, 174, 175, 176, 181, 194, 195, 196, 201, 202, 217, 267

INDEX

PART NO.	PAGE NO.	PART NO.	PAGE NO.
22-02392-01	103, 105, 241, 242, 246, 247	22-50078-49C	10, 21, 35, 46, 59, 77, 88, 120, 145, 160
22-02392-03	265, 267, 269	22-50078-49E	331, 332, 333
22-02392-04	240, 241, 242, 243	22-50078-49H	331, 332, 333
22-02393-00	240, 241, 242, 265, 267, 269	22-50078-49L	211
22-02393-01	103, 105, 106, 107, 121, 174, 175, 176, 181, 194, 195, 196, 201, 202, 217, 241, 242, 246, 247, 265, 266, 331, 332	22-50078-50A	172, 182, 192, 201
22-02394-00	121, 174, 175, 176, 181, 188, 194, 195, 196, 201, 202, 208, 217, 223, 240, 241, 242, 265, 267, 269	22-50078-52E	181, 194, 201
22-02394-01	103, 105, 222, 243, 244, 245, 246, 247, 265, 266	22-50078-53C	120, 145, 160
22-02394-02	106, 107, 188, 208, 241, 242, 246, 247	22-50078-53D	120, 145, 160
22-02897-09	326, 327	22-50078-55	243, 244, 245, 246, 247
22-02897-13	328	22-50078-58F	332
22-02898-00	306	22-50078-58H	222, 243, 244, 245, 246, 247
22-1245	111	22-50078-63	332
22-50030-00	100, 103, 105	22-50078-64	331
22-50078-01	223	22-50078-72	182, 192, 201
22-50078-01A	223	22-50078-72A	172, 182, 192, 201
22-50078-02	223	22-50078-73	333
22-50078-18	307, 326, 327, 328, 329	22-50078-86	10, 21, 35, 46, 59, 77, 88, 120, 145, 160
22-50078-22	211	22-50078-86A	10, 21, 35, 46, 59, 77, 88, 120, 160
22-50078-23	211	22-50078-86B	10, 21, 35, 46, 59, 77, 88
22-50078-39A	181, 201	22-50078-87	331, 332, 333
22-50078-40	174, 181, 194, 201	22-50079-72	172
22-50078-45	331, 332, 333	22-50091-00	100, 101, 102, 104, 313
22-50078-46A	172, 182, 192, 201, 331, 332, 333	22-50098-67	10, 21, 35, 46, 59, 77, 88, 120, 145, 160, 172, 182, 192, 201
22-50078-46B	333	22-50098-67A	10, 21, 35, 46, 59, 77, 88, 120, 145, 160
22-50078-47B	223	22-50098-67B	10, 21, 35, 46, 59, 77, 88, 120, 145, 160, 172, 174, 182, 192, 201
22-50078-47E	223, 243, 244, 245, 246, 247	22-50098-67C	10, 21, 35, 46, 59, 77, 88, 120, 145, 160
22-50078-48G	181, 194, 201	22-50098-67D	10, 21, 35, 46, 59, 77, 88, 120, 145, 160, 172, 174, 182, 192, 201
22-50078-49A	10, 21, 35, 46, 59, 77, 88, 120, 145, 160	22-50098-71	269, 331, 332, 333
		22-50098-71A	331, 332, 333
		22-50098-71B	331, 332, 333

INDEX

PART NO.	PAGE NO.	PART NO.	PAGE NO.
22-50098-91A	336	22-62039-02	338, 340
22-50099-27	181, 202	22-62040-00	338, 340, 341
22-50099-27A	181, 202	22-62052-00	275
22-50099-28	176, 196, 218, 244, 245, 246, 247	22-62053-00	273
22-50099-28A	176, 196, 218, 244, 245, 246, 247	22-62100-01	7, 56
22-50099-29	244, 245, 246, 247	22-62101-00	311
22-50099-29A	244, 245, 246, 247	22-62102-00	311
22-50099-32	9, 20, 34, 45, 76, 87, 92, 97, 119, 121, 122, 137, 150, 160	22-62103-00	311
22-50099-32A	9, 20, 34, 45, 76, 87, 92, 97, 119, 121, 122, 137, 160	22-62110-00	306, 307, 327, 328
22-50099-32B	9, 20, 34, 45, 76, 87, 122	22-62119-00	306
22-50099-37	9, 20, 34, 45, 76, 87, 92, 97, 119, 121, 122, 137, 150, 160	22-62119-01	306
22-50099-37A	9, 20, 34, 45, 76, 87, 92, 97, 119, 121, 122, 137, 150, 160	22-62119-02	306
22-50099-37D	9, 20, 34, 45, 76, 87, 92, 97, 119, 121, 122, 137, 150, 160	22-62122-00	318
22-50343-00	222	22-62123-00	170, 173
22-50358-00	223	22-62124-00	189, 193
22-50371-00	175, 176, 195, 196, 217	22-62125-00	2
22-50372-00	175, 176, 195, 196, 217	22-62131-00	317
22-60168-03	322	22-62141-00	31
22-60168-04	322	22-62141-01	56, 75
22-60254-08	119	22-62153-00	265
22-60254-27	119	22-62163-00	220
22-60551-07	322	22-62169-00	7, 32, 56, 75, 84, 310
22-62002-00	96, 97, 119, 120, 121, 137, 145, 160, 166, 168	22-62175-00	153
22-62007-00	310	22-62205-00	192, 201
22-62012-00	212	22-62206-00	172, 182
22-62035-00	102	22-62210-00	307
22-62036-00	338, 340, 341	22-62210-01	307
22-62037-00	338, 340	22-62210-02	307
22-62038-00	340	22-62210-04	307
22-62039-01	338, 340, 341	22-62210-05	307
		22-62212-00	320
		22-62212-01	320
		22-62212-02	320
		22-62213-00	320
		22-62213-01	320

INDEX

PART NO.	PAGE NO.	PART NO.	PAGE NO.
22-62214-30	320	22-62328-02	7, 75, 306
22-62214-58	320	22-62328-03	31, 55, 306
22-62214-68	320	22-62333-00	104
22-62216-00	338, 340	22-62351-00	266
22-62221-02	145	22-62351-01	266
22-62238-00	307	23-0038	110, 111
22-62238-01	307	23-0582	108, 109
22-62238-02	307	25-0568	321
22-62238-03	307	25-1163	110, 111
22-62240-00	2, 117	26-0190	110, 111
22-62240-01	168	27-0602	110, 111
22-62243-00	264, 265	29-0437	111
22-62243-01	264, 265		
22-62249-00	269	3	
22-62252-00	318	30-62004-00	312
22-62258-00	194, 195, 201	301-200-50	362
22-62260-00	174, 181	31-1247	8, 33, 57, 76, 91, 92, 122, 150
22-62272-00	196, 202	34-00361-13	354
22-62273-00	175, 176, 181	34-00373-05	361
22-62274-00	117	34-00373-27	361
22-62275-00	217	34-00373-51	361
22-62277-00	176, 196, 218	34-00373-53	361
22-62282-00	117, 135	34-00482-05	7, 32, 56, 75
22-62290-00	323	34-00588-13	354
22-62290-01	323	34-00928-09	265
22-62290-02	323	34-00945-10	286
22-62290-10	323	34-06088-00	255, 261
22-62294-00	144	34-06088-01	102, 104
22-62299-00	117	34-06088-04	103, 105
22-62303-00	225	34-06088-07	177, 183, 186, 187, 197, 203, 206, 207
22-62312-00	227	34-06121-03	255, 259
22-62312-01	227	34-06121-04	255, 259
22-62328-00	7, 306	34-06169-01	11, 12, 36, 37, 60, 80, 81, 114, 169
22-62328-01	31, 55, 306	34-50044-00	354

INDEX

PART NO.	PAGE NO.	PART NO.	PAGE NO.
34-50068-00	354	40-00124-00	134
34-62011-00	183	40-00169-13	221
34-62015-00	251	40-00169-33	215
34-62016-00	253, 255, 257, 259, 261, 263, 268	40-00190-00	357
34-62017-00	265, 266	40-00201-04	220
34-62019-00	11, 12, 36, 37, 60, 80, 81, 114, 169	40-00243-21	286
34-62020-00	11, 12, 36, 37, 60, 80, 81, 114, 169	40-00490-12	221
34-62046-00	354	40-00491-00	211, 236, 255
34-67025-00	251	40-00491-01	100, 102, 104
38-00558-00	93, 364	40-00491-09	211, 215, 233, 235, 237
38-00564-50	7	40-00491-10	237
38-00564-51	32	40-00491-15	100, 103, 105
38-00564-52	75	40-00491-18	221
38-00564-53	56	40-00501-05	215, 235, 253, 255, 259, 261
38-00566-00	265, 266	40-00501-50	215, 235, 253, 255, 259, 261
38-00573-00	363	40-00503-03	253, 255, 259
38-00573-01	11, 12, 18, 19, 114, 127, 169, 363	40-00503-04	253, 255, 259
38-00573-02	36, 37, 43, 44, 80, 81, 363	40-00520-02	284
38-00573-03	85, 86, 363	40-00520-03	284
38-00573-04	60, 363	40-00541-00	360
38-00573-05	153, 363	40-00541-01	360
38-00573-06	138, 139, 141, 363	40-00541-02	360
38-00573-07	53, 63, 363	40-01124-00	103, 105, 152, 233, 237, 259, 263
38-00573-08	126, 127, 128, 129, 130, 131, 132, 364	40-60008-03	233, 235
38-00573-09	364	40-60008-04	234, 236, 238
38-00573-10	140, 141	40-60009-03	233, 235
38-00573-11	146, 147	40-60009-04	234, 236, 238
38-00573-12	161, 162, 163, 164	40-60042-01	234, 238, 284
38-50032-00	108, 109	40-62008-03	281, 286
		40-62008-04	281, 286
		40-62008-05	281, 286
		40-62019-01	283
		40-62019-02	283
		40-62019-03	283
		40-62032-01	220, 221, 253, 257, 259, 263, 269

INDEX

PART NO.	PAGE NO.	PART NO.	PAGE NO.
40-62032-02	215, 220, 269	40-64115-50	287
40-62033-03	281	40-64115-51	287
40-62033-04	281	40-67014-03	236
40-62033-05	281	42-00032-00	3, 29, 32, 56, 75, 108, 109, 117, 118, 135, 166, 168
40-62036-00	170, 189, 217, 220	42-00032-01	153
40-62043-00	283	42-00221-18	272
40-62057-03	281	42-00221-19	274
40-62058-00	283	42-00221-20	272, 274
40-62068-00	282	42-00221-21	272, 274
40-62068-01	282	42-00243-00	211, 236
40-62070-00	283	42-00243-03	211, 233, 235, 237
40-62071-00	283	42-00243-04	233, 235, 237
40-62078-00	281	42-00243-11	236, 253, 255, 259, 261
40-62079-00	281	42-00243-12	234, 236, 238
40-62090-00	282	42-00243-15	253, 255, 259, 261
40-62091-00	282	42-00243-21	285
40-62092-00	282	42-00264-63	162
40-62095-00	284	42-01266-00	156
40-62096-00	284	42-62052-00	31, 56, 75
40-62099-00	284	42-62140-00	7, 17
40-62103-50	287	42-62140-01	31, 42, 55, 75
40-62103-55	287	42-62140-02	84
40-62113-00	282	44-00045-19	177, 183, 186, 187, 197, 203, 206, 207
40-62113-01	282	44-00045-20	253, 255, 259
40-62116-00	284	44-00045-28	362
40-62117-00	284	44-00285-72	361
40-62119-00	281	44-00285-81	253, 257, 259, 263
40-62120-00	281	44-00285-82	212, 215
40-62125-08	234, 236, 238	44-00285-83	212
40-62126-00	282	44-00337-08	361
40-62136-50	286	44-00337-11	361
40-62136-51	286	44-00337-12	103, 105
40-64075-53	287	44-50024-00	170, 189
40-64075-55	287	44-62003-00	362



INDEX

PART NO.	PAGE NO.	PART NO.	PAGE NO.
44-62003-01	362	50-62000-26	345
44-62003-02	362	50-62000-27	345
44-62003-03	362	50-62000-28	345
46-50004-00	304	50-62000-29	346
46-50006-00	304	50-62000-30	345
48-62013-00	342	50-62000-31	345
		50-62000-32	345
		50-62000-33	345
		50-62000-36	345
		50-62000-37	345
		50-62000-38	345
		50-62000-39	346
		50-62000-40	346
		50-62000-41	346
		50-62000-43	346
		50-62000-44	346
		50-62000-46	345
		50-62000-47	346
		50-62000-48	345
		50-62000-50	345
		50-62000-52	345
		50-62000-53	345
		50-62000-54	345
		50-62000-55	345
		50-62000-57	345
		50-62000-58	346
		50-62000-59	346
		50-62000-60	345
		50-62000-61	345
		50-62000-62	345
		50-62000-63	345
		50-62000-65	346
		50-62000-66	346
		50-62000-67	346
		50-62000-68	346

5

50-50062-00	304
50-50070-00	304
50-50072-00	304
50-50074-00	300
50-50076-00	300
50-60135-00	299
50-62000-00	345
50-62000-01	345
50-62000-06	346
50-62000-08	345
50-62000-09	345
50-62000-11	345
50-62000-12	345
50-62000-13	346
50-62000-14	346
50-62000-15	346
50-62000-16	345
50-62000-17	345
50-62000-18	345
50-62000-19	345
50-62000-20	345
50-62000-21	346
50-62000-22	345
50-62000-23	346
50-62000-24	345
50-62000-25	345



INDEX

PART NO.	PAGE NO.	PART NO.	PAGE NO.
50-62000-69	346	50-62010-00	349
50-62000-70	347	50-62010-01	349
50-62000-71	347	50-62010-02	349
50-62000-72	347	50-62010-03	349
50-62000-73	347	50-62010-04	349
50-62000-74	347	50-62010-06	349
50-62000-75	347	50-62010-07	349
50-62000-76	347	50-62010-13	349
50-62000-77	347	50-62010-14	349
50-62000-78	346	50-62010-17	349
50-62000-79	346	50-62010-20	349
50-62000-80	346	50-62010-22	349
50-62000-81	346	50-62010-23	349
50-62000-82	347	50-62011-00	343
50-62000-83	347	50-62012-00	343
50-62000-84	346	50-62014-00	343
50-62000-85	346	50-62017-00	343
50-62000-86	346	50-62019-00	348
50-62000-87	346	50-62019-10	348
50-62000-88	347	50-62019-25	348
50-62000-89	347	50-62019-29	348
50-62000-90	347	50-62019-30	348
50-62000-91	346	50-62019-31	348
50-62000-92	346	50-62019-32	348
50-62000-95	346	50-62019-34	348
50-62000-96	346	50-62019-35	348
50-62000-97	346	50-62019-39	348
50-62002-00	343	50-62019-40	348
50-62003-00	343	50-62019-45	348
50-62005-00	343	50-62019-46	348
50-62006-00	343	50-62019-61	348
50-62007-00	343	50-62019-64	348
50-62009-00	343	50-62019-67	348
50-62009-02	343	50-62019-68	349
		50-62019-69	349

INDEX

PART NO.	PAGE NO.	PART NO.	PAGE NO.
50-62025-00	343	54-00618-03	186, 206
50-62029-00	344	54-00622-00	239
50-62031-00	344	54-00622-01	239
50-62032-00	344	54-00643-00	227
50-62040-00	344	54-00646-00	17
50-62041-00	344	54-00646-01	42
50-62045-00	344	54-00646-02	84
50-62045-01	344	54-00646-50	17, 42, 84
50-62048-00	344	54-00646-60	17
50-62049-00	344	54-00646-61	42
50-62051-00	342, 344	54-00646-62	84
50-62054-00	344	54-50080-00	170, 189, 313
50-62056-00	344	54-50107-00	108, 109
50-62057-00	344	54-50108-00	222, 223
50-62059-00	344	56-62037-01	269
50-62064-00	344	56-62123-00	101
50-62066-00	344	56-62134-00	103, 105
50-62069-00	344	56-62311-00	269
50-62070-00	344	58-00065-26	135, 153
50-62070-01	344	58-00065-27	105
50-62072-00	344	58-00065-51	265, 266
50-62073-00	344	58-00065-52	240, 241, 242
50-62075-00	347	58-00065-83	135, 153
50-62075-01	347	58-00079-02	199, 200, 212, 265
50-62075-02	347	58-00661-04	143, 156, 158
54-00545-00	175, 195, 217, 220, 313	58-00661-06	134
54-00546-03	117, 314	58-00661-07	120, 160, 243, 244, 245, 246, 247
54-00583-00	264, 266	58-00849-11	269
54-00583-01	264, 266	58-01379-00	356
54-00588-00	3, 29, 315	58-01380-00	360
54-00606-00	153, 315	58-01382-00	352
54-00618-01	170, 172, 173, 174, 176, 179, 189, 192, 193, 194, 196, 199, 217, 273, 275, 313	58-01382-01	352
54-00618-02	180, 200, 212, 217, 273, 275	58-01383-00	352
		58-01383-01	352
		58-01384-00	352

INDEX

PART NO.	PAGE NO.	PART NO.	PAGE NO.
58-01384-01	352	58-62156-12	146
58-01385-00	356	58-62159-00	360
58-01385-01	356	58-62172-00	269
58-01386-00	4, 52, 356	58-62184-00	352
58-04764-00	177, 183, 186, 187, 197, 203, 206, 207	58-62186-00	17
58-50116-00	108	58-62186-01	42
58-50119-00	108, 109	58-62186-02	84
58-50120-00	108, 109	58-62191-00	352
58-50121-00	108, 109	58-62203-00	140
58-50122-00	108, 109	58-62203-01	140
58-50123-00	360	58-62203-02	140
58-62019-00	172, 173, 174, 175, 176, 179, 180, 183, 186, 192, 193, 194, 195, 196, 199, 200, 203, 206, 217, 220, 273, 275	58-62203-03	140
58-62030-00	350	58-62204-00	352
58-62030-01	350	58-62205-00	352
58-62030-02	350	58-62206-00	141
58-62030-10	350	58-62206-01	141
58-62040-00	251	58-62209-00	131, 146, 147, 162, 164
58-62040-02	251	58-62217-04	146, 147
58-62042-00	11, 12, 18, 19, 36, 37, 43, 44, 60, 80, 81, 85, 86, 126, 127, 128, 129, 130, 132, 139, 140, 141, 161, 162, 163	58-62223-00	227
58-62062-00	350	6	
58-62062-01	350	65-00193-00	177, 183, 186, 187, 197, 203, 206, 207
58-62062-02	350	65-01035-01	215
58-62062-10	350	65-62003-00	253, 257, 259, 263
58-62064-00F25	7, 31, 55, 75	65-62003-01	253, 255, 257, 259, 261, 263
58-62064-01	228	65-62004-00	305
58-62077-00	11, 12, 36, 37, 80, 81, 356	66-U---1--1214-5	103, 105
58-62121-00	281	66U1-1214-5	100, 101
58-62142-02	360	66U1-3882	175, 176, 217, 225, 265, 273, 275
58-62142-03	360	68-07962-00	138, 139
		68-08121-01	204, 206, 209
		68-08121-02	204
		68-08122-01	184, 186
		68-08122-02	184

INDEX

PART NO.	PAGE NO.	PART NO.	PAGE NO.
68-08123-00	206	68-63763-00	124
68-08124-00	184, 186, 204	68-63764-00	124
68-08182-01	131	68-63808-01	146, 147
68-08211-00	156	68-63874-00	13, 38
68-08216-00	125	68-63875-00	13
68-08217-00	125	68-63878-00	38
68-08250-00	156	68-63885-00	228
68-08277-00	185	68RT10-1462	215
68-08278-00	205		
68-15461-00	189	7	
68-62139-00	286	73-62003-00	251
68-62494-00	185, 205	73-67002-00	239
68-63217-00	113	76-62019-00	2, 3, 27, 29, 53, 67, 90, 310
68-63265-00	218	76-62103-00	354
68-63268-00	166, 168	76-62103-01	354
68-63275-03	60	76-62103-04	354
68-63410-00	156	76-62139-00	322
68-63416-00	123	76-62257-00	7, 32, 56, 75
68-63417-00	123	77-00249-50	183
68-63440-00	123	77-00250-50	203
68-63441-00	123	77-01277-50	197
68-63529-00	136	77-01286-50	177
68-63529-01	136	77-62135-00	316
68-63566-00	218	77-62171-00	274
68-63616-01	141	77-62171-01	272
68-63617-00	136	77-62171-02	274
68-63648-00	251	77-62171-03	272
68-63691-00	269	77-62171-04	272
68-63703-00	138, 139	77-62171-05	274
68-63727-00	156	77-62171-06	272
68-63737-00	162	79-02383-00	2, 24, 49
68-63754-00	140, 141	79-62035-01	11
68-63756-00	124	79-62035-02	11
68-63757-00	124	79-62036-01	12
		79-62036-02	12

INDEX

PART NO.	PAGE NO.	PART NO.	PAGE NO.
79-62044-01	36, 80, 81	79-62106-01	31
79-62044-02	36, 81	79-62106-02	75
79-62045-01	37	79-62107-00	55
79-62045-02	37	79-62118-00	129
79-62046-02	80	79-62118-01	129
79-62056-00	114	79-62118-02	130
79-62064-00	169	79-62118-03	130
79-62065-01SV	60	79-62119-00	146
79-62065-02SV	60	79-62119-01	147
79-62070-01	98	79-62125-00	161
79-62071-00	1, 25	79-62125-01	161
79-62071-01	1, 25	79-62125-03	162
79-62072-00	50	79-62125-04	162
79-62072-01	50	79-62125-05	163
79-62073-00	53, 64	79-62125-06	163
79-62073-01	53, 64	79-62125-07	163
79-62074-00	67, 71	79-62125-09	164
79-62074-01	67, 71	79-62127-00	63
79-62076-01	66	79-62128-00	70
79-62088-00	126	79-62129-00	95
79-62088-02	126	79-62136-00	227
79-62088-03	126	79-62136-01	227
79-62096-00	127		
79-62096-02	127	8	
79-62096-04	128	801-202	149
79-62096-05	128	801-307	126, 127
79-62096-06	129	81-62062-00	211, 213
79-62096-07	129	81-62105-00	217
79-62096-08	130	81-62122-00	220
79-62096-09	130	81-62128-00	221
79-62097-00	128	81-62129-00	221
79-62097-01	128	81-62138-00	278
79-62105-00	269	81-62138-01	278
79-62106-00	7	81-62138-02	278
		81-62145-01	279

INDEX

PART NO.	PAGE NO.	PART NO.	PAGE NO.
81-62147-00	269	91-62044-00	324
81-62151-00	269	91-62045-00	324
81-62169-00	227	91-62046-00	324
81-62170-00	227	91-62052-00	324
86-62150-00	277	91-62070-00	324
86-62150-01	277		
86-62243-00	113	A	
86-62262-00	166	AC-801-529-2	146, 147
86-62437-00	123	AC010-006	316
86-62449-00	136	AC010-007-1	351
86-62460-00	117, 118, 149	AC010-007-2	351
86-62497-00	168	AC010-008	351
86-62509-00	156	AC010-204	316, 317
86-62557-00	144	AC010-560	324
86-62565-00	228	AC010-561	324
86-62565-01	228	AC010-563	324
86-62577-00	123	AC010-565	324
86-62587-00	158	AC010-566	324
86-62588-00	159	AC010-568	324
86-62589-00	159	AC010-570	324
		AC011-031	351
9		AC011-032-1	351
91-62011-00	339	AC011-032-2	351
91-62011-01	337	AC011-049	351
91-62016-00	317	AC011-049-2	351
91-62017-00	324	AC020-009	67, 354
91-62018-00	324	AC020-174	13
91-62019-00	324	AC021-190-1	93
91-62022-00	324	AC021-190-2	93
91-62023-00	324	AC021-344	100
91-62024-00	324	AC021-348	103
91-62027-00	324	AC021-360	354
91-62035-00	336	AC021-366	93
91-62040-00	324	AC022-251	25, 50

INDEX

PART NO.	PAGE NO.	PART NO.	PAGE NO.
AC022-252	64	AC033-158	210
AC022-253	71	AC033-160	210
AC022-313	3, 27, 29	AC033-162	210
AC022-313-1	117, 118	AC033-163	210
AC022-313-2	135	AC033-164	210
AC022-313-3	153	AC033-211P	217
AC022-313-4	144	AC033-219	170
AC022-313-5	156, 158	AC033-220	189
AC022-314	53, 100, 101, 102, 104	AC033-135	189
AC022-717	2	AC033-136	170
AC022-743	166, 168	AC040-074	113, 314, 315
AC022-743-9	143	AC040-076	358
AC022-744	113, 166	AC040-103	358
AC022-746	95	AC051-1111P	343
AC022-746-1	113, 166	AC051-1112P	343
AC030-234	170, 175, 189, 195, 211, 217, 220, 273, 275	AC051-1116P	343
AC030-313	211	AC051-1173	301
AC030-314	211	AC051-586	342
AC030-315	211	AC101-100	358
AC030-340	211	AC101-101	358
AC033-051	205	AC101-102	358
AC033-133P	189	AC101-103	358
AC033-134P	170	AC101-108	358
AC033-142	170	AC101-200	170, 189, 358
AC033-143	190	AC101-202	358
AC033-144	189	AC101-203	215, 358
AC033-145	170, 190, 276	AC101-301	359
AC033-146	170	AC101-302	359
AC033-147	190	AC101-303	359
AC033-150	185	AC101-304	359
AC033-154	210	AC101-305	359
AC033-155	210	AC101-306	359
AC033-156	210	AC101-307	359
AC033-157	210	AC101-310	359
		AC101-311	108, 109, 359

INDEX

PART NO.	PAGE NO.	PART NO.	PAGE NO.
AC101-312	170, 189, 359	AC201-400	310
AC101-400	357	AC201-403	310
AC101-401	357	AC201-404	310
AC101-403	357	AC201-408	310
AC101-404	357	AC201-409	310
AC101-405	357	AC201-410	310
AC101-406	357	AC201-412	2, 3, 7, 17, 24, 27, 29, 32, 42, 49, 53, 56, 63, 67, 70, 75, 84, 90, 95, 113, 117, 118, 134, 143, 153, 156, 158, 168, 170, 189, 217, 310
AC101-407	357	AC201-414	170, 177, 183, 189, 197, 203, 217, 227, 273, 275, 310
AC101-408	357	AC201-500	7, 310, 316, 317, 318, 319
AC101-412	357	AC201-501	1, 27, 53, 67, 90, 95, 101, 310
AC101-415	357	AC201-508	336, 337, 339
AC101-422	100, 103, 105	AC201-600	91, 153, 310, 328, 333
AC101-425	357	AC201-609	310
AC101-426	357	AC201-610	310
AC101-427	357	AC201-611	310
AC101-428	357	AC201-615	211
AC101-429	357	AC201-616	310
AC101-430	357	AC201-623	310
AC101-441	357	AC201-634	336, 337, 339
AC201-101	309	AC201-702	310
AC201-102	309	AC201-703	310
AC201-105	108, 109, 309, 326, 327, 328, 329	AC201-706	310
AC201-105-1	309, 326	AC201-707	310
AC201-106	309, 327, 328	AC201-800	308
AC201-107	309, 326	AC201-803	308
AC201-109	309	AC201-804	308
AC201-112	309, 326, 327	AC201-805	308
AC201-113	309	AC201-812	308
AC201-119	309	AC201-901	326, 327, 328, 329, 336, 337, 338, 339, 340, 341
AC201-121	309	AC201-902	316, 318
AC201-212	328, 329	AC201-905	91, 92, 181, 182, 201, 202, 311
AC201-302	308		
AC201-303	308		
AC201-305	308, 316, 318, 319		

INDEX

PART NO.	PAGE NO.	PART NO.	PAGE NO.
AC201-910	311	AC302-305	317, 318, 319
AC201-921	311	AC302-432	287
AC201-922	307	AC302-436	287
AC201-931	326, 327, 328, 329, 336, 337, 338, 339, 340, 341	AC302-437	287
AC201-951	107	AC302-440	284
AC201-952	107	AC302-441	284
AC202-300	316, 317, 318, 319	AC302-450	283
AC202-301	316, 317, 318	AC302-453	283
AC202-303	316, 317, 318, 319	AC302-454	283
AC202-305	316	AC302-459	287
AC202-307	316, 317, 318, 319	AC302-494	287
AC202-501	337, 339	AC302-495	287
AC202-502	338, 340	AC401-100	313
AC301-202	350	AC401-110	170, 189, 313
AC301-204	362	AC401-200A	314
AC301-205	4, 52, 350	AC401-202	117, 314
AC301-219	350	AC401-203	95, 135, 144, 156, 158, 166, 168, 315
AC301-239	362	AC401-204	95, 314
AC301-240	108, 109, 362	AC401-209A	314
AC301-419	287	AC401-210A	314
AC301-441	170, 189, 283	AC401-214	314
AC301-447	287	AC401-215	100, 101, 102, 104, 314
AC301-452	283	AC401-217	101, 314
AC301-453	283	AC401-220	100, 101, 102, 104, 314
AC301-459	283	AC401-221	314
AC301-900	360	AC401-222	314
AC301-901	360	AC401-229	314
AC301-902	360	AC401-232	1, 27, 53, 67, 90, 315
AC301-903	360	AC401-233	1, 27, 53, 67, 90, 315
AC301-904	360	AC401-300	356
AC301-905	360	AC401-301	356
AC301-907	360	AC401-302	356
AC301-908	360	AC401-306	4, 52, 356
AC301-908-5	360	AC401-307	4, 52, 356
		AC401-308	66, 356

INDEX

PART NO.	PAGE NO.	PART NO.	PAGE NO.
AC401-309	356	AC501-285	294
AC401-310	356	AC501-286	294
AC401-312	356	AC501-289A	293
AC401-313	356	AC501-291	299
AC401-314	356	AC501-292	299
AC401-315	356	AC501-298A	293
AC401-320	1, 4, 25, 27, 50, 52, 53, 64, 67, 71, 98, 138, 153, 356	AC502-208A	295
AC401-322	356	AC502-209A	295
AC401-323	356	AC502-213A	301
AC501-102A	313	AC502-215A	296
AC501-103A	313	AC502-216	303
AC501-122	100, 101, 102, 104, 313	AC601-336	343
AC501-201A	303	AC601-500	342
AC501-218	301	AC601-505	342
AC501-218A	301	AC601-508	342
AC501-221	301	AC601-511	342
AC501-223A	292	AC601-519	342
AC501-226A	290	AC601-520	342
AC501-236	291	AC601-522	342
AC501-247	291	AC601-524	342
AC501-248A	292	AC601-525	342
AC501-249A	290	AC601-527	342
AC501-252A	290	AC601-528	342
AC501-253	301	AC601-538	342
AC501-257	291	AC601-542	342
AC501-266A	295	AC601-545	342
AC501-267A	295	AC601-547	342
AC501-268A	295	AC601-548	342
AC501-270A	294	AC601-602	13, 38
AC501-271A	294	AC601-609	215
AC501-273A	294	AC601-615	215
AC501-277A	301	AC601-616	13, 38
AC501-277B	301	AC601-618	215
AC501-282A	293	AC701-101	75, 113, 143, 253, 255, 257, 259, 263
		AC701-103	351

INDEX

PART NO.	PAGE NO.	PART NO.	PAGE NO.
AC701-106	98	AC701-263	361
AC701-106-2	161, 162, 163	AC701-269	170, 189, 217, 362
AC701-123	14, 39, 53, 66, 67, 75, 95	AC701-274	363
AC701-201	361	AC701-401	29, 351
AC701-205	362	AC701-403	354
AC701-206	316, 317, 318, 319, 363	AC801-12F25	38
AC701-207	362	AC801-201	285
AC701-208	363	AC801-202	2, 3, 7, 17, 24, 27, 29, 32, 42, 49, 53, 56, 63, 67, 70, 75, 84, 90, 95, 113, 117, 118, 134, 153, 156, 158, 166, 168, 170, 189, 217, 220, 227, 271, 285, 286
AC701-210	362	AC801-203	269, 285, 286
AC701-211	362	AC801-207	285
AC701-212	363	AC801-217	285
AC701-221	361	AC801-220	170, 189
AC701-222	361	AC801-222	285, 286
AC701-224	361	AC801-300	113
AC701-226	361	AC801-307	128, 129, 130, 131, 132, 140, 141, 162, 163, 164
AC701-227	361	AC801-342	272, 274
AC701-229	362	AC801-403	67, 169
AC701-230	361	AC801-405	1, 3, 24, 29, 49, 364
AC701-231	363	AC801-412	146, 147
AC701-233	361	AC801-412F25	13, 27, 29, 53, 66, 67, 108, 109, 170, 190
AC701-235	363	AC801-414	53, 67, 135, 141, 146, 147, 153, 156, 158, 166, 168, 253, 255, 257, 259, 263
AC701-237	363	AC801-415	143
AC701-240	361	AC801-416	90, 153, 166, 168
AC701-241	361	AC801-443	100, 101, 102, 104, 364
AC701-242	361	AC801-451	27
AC701-243	215, 363	AC801-452	364
AC701-245	361	AC801-461	95, 364
AC701-246	361	AC801-462	67, 70, 364
AC701-247	362	AC801-529	2, 14, 39, 60, 138, 139, 153, 354
AC701-248	361		
AC701-251	363		
AC701-252	363		
AC701-253	363		
AC701-254	361		



INDEX

PART NO.	PAGE NO.	PART NO.	PAGE NO.
AC801-529-1	161, 162, 163, 164		
AC801-529-2	140		
AC801-531	2, 14, 39, 60, 66, 138, 139, 140, 153, 161, 162, 163, 164, 354		
AC801-532	2, 14, 39, 60, 66, 140, 161, 162, 354		
AMI1SS3	358		
C		T	
CM205-197	170, 189	T25-3756	321
		T35-1298	321
		T35-1299	321
		T35-1300	321
D		Y	
DD19CA061	134, 153, 357	Y15-00003-00	24, 49, 63, 70, 118, 149
		Y21-00004-01	232
		Y23-00002-00	18, 19, 43, 44, 60, 85, 86, 131
		Y24-00021-00	159
		Y24-00022-00	159
		Y24-00023-00	159
		Y24-00024-00	159
		Y24-00108-00	18, 19
		Y24-00109-00	43, 44
		Y24-00110-00	85, 86
		Y24-00185-00	228
		Y24-00186-00	125, 151
		Y24-00187-00	125, 151
		Y24-00196-00	319
		Y24-00196-01	319
		Y24-00550-00	353
		Y24-00551-00	353
		Y25-00001-05	308, 326, 327, 328, 329
		Y25-00006-00	144
		Y25-00012-00	324
		Y25-00013-00	324
		Y25-00014-00	324
		Y25-00022-00	318
		Y25-00031-00	324
		Y25-00032-00	324
		Y25-00059-00	117
		Y25-00106-01	118
		Y26-00054-00	233, 237
E			
EN07AA284	221		
EP32UZ232	357		
K			
KM43AG301	358		
P			
P806-B2-8	358		
S			
SES130027	224		
SES132205	225		
SES132236	224		
SES171087	225		
SES172643	225		
SES181104	225		
SES248014	225		
SES261045	224		

INDEX


PART NO.	PAGE NO.	PART NO.	PAGE NO.
Y26-00054-01	233, 237	Y31-00007-51	9, 20, 34, 45, 58, 78, 87
Y26-00054-02	235	Y31-00008-00	243, 244, 245, 246, 247
Y27-00186-00	284	Y31-00033-01	150
Y27-00186-01	284	Y31-00033-02	150
Y28-00007-00	93	Y35-00010-00	17, 42
Y28-00014-00	147	Y35-00013-04	243, 246, 247
Y28-00023-00	131	Y35-00013-05	244, 245, 246, 247
Y28-00025-00	18	Y39-00004-20	144
Y28-00025-01	18	Y45-00005-50	7
Y28-00025-02	19	Y45-00005-51	31, 55
Y28-00025-03	19	Y45-00005-52	75
Y28-00026-00	43	Y45-00005-53	7
Y28-00026-01	43	Y45-00005-54	31, 55
Y28-00026-02	44	Y45-00005-55	75
Y28-00026-03	44	Y61-Q1601-00	298
Y28-00027-00	85	Y61-Q1601-01	298
Y28-00027-01	85	Y61-Q1601-02	298
Y28-00027-02	86	Y61-Q1601-03	298
Y28-00027-03	86	Y61-Q1601-04	298
Y28-00037-00	231	Y61-Q2101-00	300
Y28-00037-01	231	Y61-Q2101-01	300
Y28-00037-02	231	Y61-Q2101-02	300
Y28-00041-00	351	Y61-Q2101-03	300
Y28-00041-01	351	Y61-Q2101-04	300
Y30-13000-00	26, 51, 65, 72, 243, 244, 245, 246, 247	Y61-Q3101-00	302
Y31-00007-00	9, 20, 34, 45, 58, 78, 87	Y61-T1501-00	295
Y31-00007-50	9, 20, 34, 45, 58, 78, 87	Y74-CM201-50	187
		Y74-CM301-50	207

Every driver deserves the best possible vehicle climate with MCC products

MCC provides exceptional performance in mobile climate comfort.



www.mcc-hvac.com

Member of MCC Group  Certified ISO 9001 and ISO 1 4001.
Specifications subject to change without notice. MCC is a registered trademark.