



## SERVICE PARTS LIST

for

## SPLIT SYSTEMS

Generation 4 & 5

NOTE: For GEN 1, 2 & 3 Equipment,  
Use Parts List T-346PL

**T-299PL**

REV. 06/2016

# TABLE OF CONTENTS

INTRODUCTION .....	xiii
ORDERING INSTRUCTIONS .....	xiii
GENERAL NOTES .....	xiii
<b>SECTION 1 - EVAPORATORS .....</b>	<b>1</b>
SECTION 1.1 EM-1 EVAPORATORS .....	1
1.1.1 EVAPORATOR, EM-1, GEN 4, FREE BLOW .....	1
1.1.2 EVAPORATOR, EM-1, GEN 4 CHASSIS KIT WITH HEAT .....	3
1.1.3 PLENUM & GRILL BOX FOR EVAPORATORS EM-1 & 2, GEN 4 .....	4
OPTION TABLE - EM1 - GEN V, 12 VDC - 3 Speed .....	5
OPTION TABLE - EM1 - GEN V 12 VDC - Variable Speed .....	5
OPTION TABLE - EM1 - GEN V 24 VDC - Variable Speed .....	5
1.1.4 EM-1, GEN-V, 3 SPEED CHASSIS KITS 77-62512-XX (COMMON PARTS): OPTION 1 ..	6
1.1.5 EM1 GEN-V, Wire Harness 22-62168-00 & -01: OPTION 1 & OPTION 2 .....	8
1.1.5 EM1 GEN-V, Wire Harness 22-62099-00 & -01: OPTION 3 & OPTION 4 .....	8
1.1.5 EM1 GEN-V, Wire Harness 22-62286-00: OPTION 5 .....	9
1.1.5 EM1 GEN-V, Wire Harness 22-62261-00: OPTION 6 .....	9
1.1.5 EM1 GEN-V, Wire Harnesses 22-62247-00 & 22-62204-00: OPTION 7 .....	10
1.1.5 EM1 GEN-V, Wire Harness 22-62194-00: OPTION 8 .....	10
1.1.6 COVER ASSEMBLY, EM-1, GEN-V, 3 SPEED, REAR MOUNT - OPTION 1 .....	11
1.1.6 COVER ASSEMBLY, EM-1, GEN-V, 3 SPEED, SIDE MOUNT - OPTION 2 .....	12
1.1.7 MISCELLANEOUS INSTALLATION COMPONENTS, EM-1, GEN-V, SIDE MOUNT ..	13
OPTION TABLE - EM1 - GEN VI .....	15
1.1.8 EM-1, GEN-VI, 3 SPEED CHASSIS KITS Y73-EM101-00 thru -02 (COMMON PARTS): OPTION 1 .....	16
1.1.9 EM-1, GEN-VI, COVER ASSEMBLY, REAR MOUNT : OPTION 1 (Used on MODELS Y19-EM101-21,-22,-31,-32,-41,-42,-44,-45,-47,-81,-83 & -96) .....	18
1.1.9 EM-1, GEN-VI, COVER ASSEMBLY, SIDE MOUNT: OPTION 2 (Used on MODELS Y19-EM101-23,-61,-62,-64 & -91) .....	19
1.1.10 EM1 GEN-VI, Wire Harness 22-62303-00: OPTION 1 .....	20
1.1.10 EM1 GEN-VI, Wire Harness 22-62303-01: OPTION 2 .....	20
1.1.10 EM1 GEN-VI, Wire Harness 22-62303-02: OPTION 3 .....	21
OPTION TABLE - EM1 - CLASSIC LINE .....	22
1.1.11 EM-1, CLASSIC LINE, 12 VDC, 3 SPEED CHASSIS KITS Y73-EM103-00 & 01 , OPTION 1 & 2 .....	23
1.1.12 EM-1, CLASSIC LINE, COVER ASSEMBLY, REAR MOUNT : OPTION 1 & 2 .....	25
1.1.13 EM1 Classic Line, 12 VDC Wire Harness Y25-00099-01, OPTION 1 .....	26

## TABLE OF CONTENTS

SECTION 1.2 EM-2 EVAPORATORS .....	27
1.2.1 EVAPORATOR, EM-2, GEN 4, FREE BLOW .....	27
1.2.2 EVAPORATOR, EM-2 CHASSIS KIT WITH HEAT, GEN 4 .....	28
1.2.2 EVAPORATOR, EM-2 CHASSIS KIT WITH HEAT, GEN 4 - Continued: .....	29
OPTION TABLE - EM2 - GEN V, 12 VDC - 3 Speed .....	30
OPTION TABLE - EM2 - GEN V 12 VDC - Variable Speed .....	30
OPTION TABLE - EM2 - GEN V 24 VDC - Variable Speed .....	30
1.2.3 EVAPORATOR, EM-2,GEN V (Common Parts) OPTION 1 .....	31
1.2.4 EM2 GEN-V, Wire Harness 22-62168-00 : OPTION 1 .....	33
1.2.4 EM2 GEN-V, Wire Harness 22-62099-00 : OPTION 2 .....	33
1.2.4 EM2 GEN-V, Wire Harness 22-62286-00: OPTION 3 .....	34
1.2.4 EM2 GEN-V, Wire Harness 22-62261-00: OPTION 4 .....	34
1.2.4 EM2 GEN-V, Wire Harnesses 22-62247-00 & 22-62204-00: OPTION 5 .....	35
1.2.5 COVER ASSEMBLY, EM-2, GEN-V, 3 SPEED, REAR MOUNT : OPTION 1 .....	36
1.2.5 COVER ASSEMBLY, EM-2, GEN-V, 3 SPEED, SIDE MOUNT : OPTION 2 .....	37
1.2.6 INSTALLATION COMPONENTS, EM-2, GEN-V, SIDE MOUNT .....	38
OPTION TABLE - EM2 - GEN VI .....	40
1.2.7 EM-2, GEN-VI, 3 SPEED CHASSIS KITS Y73-EM201-00 thru -02 (COMMON PARTS): OPTION 1 .....	41
1.2.8 EM-2, GEN-VI, COVER ASSEMBLY, REAR MOUNT : OPTION 1 (Used on MODELS Y19-EM101-21,-22,-31,-32,-41,-42,-44,-45,-47,-80,-81,-82,-83,-85,-95 & -96)	43
1.2.9 EM-2, GEN-VI, COVER ASSEMBLY, SIDE MOUNT: OPTION 2 (Used on MODELS Y19-EM201-23,-51,-52,-61,-62, & -91)	44
1.2.10 EM2 GEN-VI, Wire Harness 22-62303-00: OPTION 1 .....	45
1.2.10 EM2 GEN-VI, Wire Harness 22-62303-01: OPTION 2 .....	45
1.2.10 EM2 GEN-VI, Wire Harness 22-62303-02: OPTION 3 .....	46
OPTION TABLE - EM2 - CLASSIC LINE .....	47
1.2.11 EM-2, CLASSIC LINE, 12VDC, 3 SPEED CHASSIS KITS Y73-EM203-00 & -01, OPTION 1 & 2 .....	48
1.2.12 EM-2, CLASSIC LINE, COVER ASSEMBLY, REAR MOUNT : OPTION 1 & 2 .....	50
1.2.13 EM2 CLASSIC LINE, WIRE HARNESS Y25-00102-01, OPTION 1 .....	51
SECTION 1.3 EM-3 EVAPORATORS .....	52
1.3.1 EVAPORATOR, EM-3, GEN 4, DUCTED, WITH PLENUM OR GRILL BOX .....	52
1.3.2 EVAPORATOR, EM-3, GEN 4, FREE BLOW .....	53
OPTION TABLE - EM3 - GEN V, 12 VDC - 3 Speed .....	54
OPTION TABLE - EM3 - GEN V 12 VDC - Variable Speed .....	54

## TABLE OF CONTENTS

<b>OPTION TABLE - EM3 - GEN V</b>	
24 VDC - Variable Speed .....	54
1.3.3 EM-3, 3 SPEED CHASSIS KITS (Common Parts) OPTION 1 .....	55
1.3.4 EM3 GEN-V, Wire Harness 22-62168-00 : OPTION 1 .....	57
1.3.4 EM3 GEN-V, Wire Harness 22-62164-00 : OPTION 2 .....	57
1.3.4 EM3 GEN-V, Wire Harness 22-62164-02 : OPTION 3 .....	58
1.3.4 EM2 GEN-V, Wire Harness 22-62261-00: OPTION 4 .....	58
1.3.4 EM3 GEN-V, Wire Harnesses 22-62204-00: OPTION 5 .....	59
1.3.4 EM3 GEN-V, Wire Harness 22-62099-00 : OPTION 6 .....	59
1.3.5 EM-3, GEN-5, COVER ASSEMBLY .....	60
<b>OPTION TABLE - EM3 - CLASSIC LINE</b> .....	<b>61</b>
1.3.6 EM-3, CLASSIC LINE, 3 SPEED CHASSIS KITS Y73-EM303-00 & -01, OPTION 1 & 2 .....	62
1.3.7 EM-3, CLASSIC LINE, COVER ASSEMBLY, REAR MOUNT : OPTION 1 & 2 .....	64
1.3.8 EM3, CLASSIC LINE, Wire Harness Y2500103-01, OPTION 1 .....	65
SECTION 1.4 EM-6 EVAPORATORS .....	66
1.4.1 EVAPORATOR, EM-6, GEN 4, SIDE MOUNT, FREE BLOW .....	66
1.4.2 EVAPORATOR, EM-6, GEN 4, FREE BLOW .....	67
<b>OPTION TABLE - EM6 - CLASSIC LINE</b> .....	<b>68</b>
1.4.3 EM-6, CLASSIC LINE, 3 SPEED CHASSIS KITS Y73-EM601-00 & -01, OPTION 1 & 2 .....	69
1.4.4 EM-6, CLASSIC LINE, COVER ASSEMBLY, REAR MOUNT : OPTION 1 & 2 .....	71
1.4.5 EM2 CLASSIC LINE, WIRE HARNESS Y25-00102-01, OPTION 1 .....	72
SECTION 1.5 EM-7 EVAPORATORS .....	73
<b>OPTION TABLE - EM7 - GEN V,</b>	
12 VDC - 3 Speed .....	73
<b>OPTION TABLE - EM7 - GEN V</b>	
12 VDC - Variable Speed .....	73
<b>OPTION TABLE - EM7 - GEN V</b>	
24 VDC - Variable Speed .....	73
1.5.1 EVAPORATOR, EM-7, GEN V, CHASSIS KIT (Common Parts): OPTION 1 .....	74
1.5.2 EM7 GEN-V, Wire Harness 22-62168-00 & -01: OPTION 1 & OPTION 5 .....	76
1.5.2 EM7 GEN-V, Wire Harness 22-62286-00: OPTION 2 .....	76
1.5.2 EM7 GEN-V, Wire Harnesses 22-62247-00: OPTION 3 .....	77
1.5.2 EM7 GEN-V, Wire Harness 22-62261-00: OPTION 4 .....	78
1.5.2 EM7 GEN-V, Wire Harness 22-62099-00 & -01: OPTION 6 .....	78
1.5.2 EM7 GEN-V, Wire Harness 22-62194-00: OPTION 7 .....	79
1.5.3 COVER ASSEMBLY, EM-7, GEN-V, REAR MOUNT : OPTION 1 .....	80
1.5.3 COVER ASSEMBLY, EM-7, GEN-V, SIDE MOUNT : OPTION 2 .....	81
<b>OPTION TABLE - EM7 - GEN VI</b> .....	<b>82</b>



## TABLE OF CONTENTS

1.5.4	EM-7, GEN-VI, 3 SPEED CHASSIS KITS Y73-EM701-00 thru -02 (COMMON PARTS): OPTION 1 .....	83
1.5.5	EM-7, GEN-VI, COVER ASSEMBLY, REAR MOUNT : OPTION 1 (Used on MODELS Y19-EM701-21,-22,-31,-32,-41,-42,-44,-45,-47,-80,-81,-82,-83,-85,-95 & -96)	85
1.5.5	EM-7, GEN-VI, COVER ASSEMBLY, SIDE MOUNT: OPTION 2 (Used on MODELS Y19-EM701-23,-24,-51,-52,-61,-62, & -91) .....	86
1.5.6	EM7 GEN-VI, Wire Harness 22-62303-00: OPTION 1 .....	87
1.5.6	EM7 GEN-VI, Wire Harness 22-62303-01: OPTION 2 .....	87
1.5.6	EM7 GEN-VI, Wire Harness 22-62303-02: OPTION 3 .....	88
	SECTION 1.6 EM-9 EVAPORATORS .....	89
	OPTION TABLE - EM9 - GEN IV, 12 VDC - 3 Speed .....	89
	OPTION TABLE - EM9 - GEN IV 24 VDC - 3 Speed .....	89
1.6.1	EVAPORATOR, EM-9, GEN IV, SIDE MOUNT, DUCTED (Common Parts): OPTION 1 .....	90
1.6.2	EM9 GEN-IV, Wire Harness 22-62226-00: OPTION 1 .....	91
1.6.2	EM9 GEN-IV, Wire Harness 22-62279-00: OPTION 2 .....	92
1.6.3	EVAPORATOR, EM-9, GEN 4, SIDE MOUNT, DUCTED , COVERS .....	93
	SECTION 1.7 EM-14 EVAPORATORS .....	94
	OPTION TABLE - EM14 - GEN IV, 12 VDC - 3 Speed .....	94
	OPTION TABLE - EM14 - GEN IV 24 VDC - 3 Speed .....	94
	SECTION 1.7 EM-14 EVAPORATORS .....	95
1.7.1	EVAPORATOR, EM-14, GEN 4 SERIES, FREE BLOW , REAR & SIDE MOUNT (Common Parts): OPTION 1 .....	95
1.7.2	EM14, Wire Harness 22-62223-00: OPTION 1 .....	96
1.7.2	EM14, Wire Harness 22-62285-00: OPTION 2 .....	97
1.7.3	EVAPORATOR, EM-14, FREE BLOW, REAR & SIDE MOUNT COVER ASSEMBLY, OPTION 1 .....	98
1.7.3	EVAPORATOR, EM-14, FREE BLOW, REAR MOUNT GRILLE, RETURN AIR, OPTION 2 .....	98
1.7.3	EVAPORATOR, EM-14, FREE BLOW, SIDE MOUNT GRILLE, RETURN AIR, OPTION 3 .....	98
	SECTION 1.8 EM-17 EVAPORATORS .....	99
	OPTION TABLE - EM17 - GEN IV, 24 VDC - Manual Control .....	99
	OPTION TABLE - EM17 - GEN IV 24 VDC - Enviromate .....	99
	OPTION TABLE - EM17 - GEN IV 24 VDC - Enviromate .....	99
	SECTION 1.8 EM-17 EVAPORATORS .....	100

## TABLE OF CONTENTS

1.8.1	EVAPORATOR, EM-17, SINGLE LOOP, GEN 4 SERIES : OPTION 1	100
1.8.1	EVAPORATOR, EM-17, DUAL LOOP, GEN 4 SERIES : OPTION 2	101
1.8.1	EVAPORATOR, EM-17, CHASSIS KITS 77-62000-11 & Y53-E1701-00: OPTION 3	102
1.8.1	EVAPORATOR, EM-17, CHASSIS KITS 77-62000-31 & Y53-E1702-00: OPTION 4	104
1.8.2	EVAPORATOR, EM-17, WIRE HARNESS, OPTION 1	106
1.8.3	EVAPORATOR, EM-17, WIRE HARNESS, OPTION 2	107
	SECTION 1.9 EM-23 EVAPORATORS	108
1.9.1	EVAPORATOR KIT, EM-23, HEAT/COOL (77-62725-00)	108
1.9.2	EVAPORATOR KIT, EM-23 - COOL ONLY (77-62204-00)	109
	SECTION 1.10 IW-1 IN-WALL EVAPORATORS	110
1.10.1	EVAPORATOR, IW-1, (77-62081-11)	110
	OPTION TABLE - IW-1, 12 VDC - 3 Speed	113
	OPTION TABLE - IW-1, 24 VDC	113
	OPTION TABLE - IW-1, Variable Speed	113
1.10.2	EVAPORATOR, IW-1, COMMON PARTS USED ON 77-62160-XX UNITS	114
1.10.3	EVAPORATOR HARNESS, IW-1 12VDC (22-62282-00): OPTION 1	116
1.10.3	EVAPORATOR HARNESS, IW-1 24VDC (22-62299-00): OPTION 2	116
1.10.3	EVAPORATOR HARNESS, IW-1 12VDC (22-62274-00): OPTION 3	117
1.10.3	EVAPORATOR HARNESS, IW-1, Variable Speed 12VDC (22-62239-00): OPTION 4	117
1.10.3	EVAPORATOR HARNESS, IW-1, EnviorMATE 12VDC (Y25-00059-00): OPTION 5	118
1.10.4	EVAPORATOR, IW-1, BRACKETS (77-62160-00,-03,-04,-05,-07,-15,16,-17,-18,-28,-29,-32,-33,-81,&-83): OPTION 1	119
1.10.4	EVAPORATOR, IW-1, BRACKETS (77-62160-01 & -19): OPTION 2	119
1.10.4	EVAPORATOR, IW-1, BRACKETS (77-62160-06): OPTION 3	119
1.10.4	EVAPORATOR, IW-1, BRACKETS (77-62160-10, -11, -22, -23 & -26 ): OPTION 4	120
1.10.4	EVAPORATOR, IW-1, BRACKETS (77-62160-12, -13, -20 & -21 ): OPTION 5	120
1.10.4	EVAPORATOR, IW-1, BRACKETS (77-62160-14 ): OPTION 6	121
1.10.4	EVAPORATOR, IW-1, BRACKETS (77-62160-30 & -31 ): OPTION 7	121
1.11	IW-2 IN-WALL EVAPORATORS	128
	OPTION TABLE - IW-2, 12 VDC - 3 Speed	128
1.11.1	EVAPORATOR, IW-2 - 77-62134-XX (All), COMMON PARTS: OPTION 1	129
1.11.2	EVAPORATOR, IW-2 MOUNT BRACKETS (Used on 77-62134-02 ): OPTION 1	131
1.11.2	EVAPORATOR, IW-2 MOUNT BRACKETS (Used on 77-62134-03 & -04 ): OPTION 2	131
1.11.3	EVAPORATOR HARNESS, IW-2 12VDC (22-62282-00): OPTION 1	132
1.11.4	COVER ASSEMBLY, EVAPORATOR, IW-2 (77-62134-03, -04, -05 & -06): OPTION 3	135

## TABLE OF CONTENTS

1.11.4 COVER ASSEMBLY, EVAPORATOR, IW-2 (77-62134-07 & -08): OPTION 4 . . . . .	136
1.11.4 COVER ASSEMBLY, EVAPORATOR, IW-2 (77-62134-12) COMPONENTS SUPPLIED: OPTION 5 . . . . .	136
1.12 IW-4 IN-WALL EVAPORATORS . . . . .	137
OPTION TABLE - IW-4, 12 VDC - 3 Speed . . . . .	137
1.12.1 EVAPORATOR, IW-4 (77-62230-00 & -01) : OPTION 1 . . . . .	138
1.12.2 EVAPORATOR HARNESS, IW-4 12VDC (22-62294-00) : OPTION 1 . . . . .	140
1.12.2 EVAPORATOR HARNESS, IW-4 12VDC (Y25-00006-00): OPTION 2 . . . . .	140
1.12.3 COVER ASSEMBLY, IW-4 USED ON (77-62230-00): OPTION 1 . . . . .	141
1.12.3 COVER ASSEMBLY, IW-4 USED ON (77-62230-01): OPTION 2 . . . . .	142
1.13 IW-7 IN-WALL EVAPORATORS . . . . .	143
1.13.1 EVAPORATOR, IW-7 (77-62131-00) . . . . .	143
1.14 IW-10 IN-WALL EVAPORATORS . . . . .	145
OPTION TABLE - IW-10, 12 VDC - 3 Speed . . . . .	145
1.14.1 EVAPORATOR, Chassis Kit (77-62200-00), IW-10, (INACTIVE): OPTION 1 . . . . .	146
1.14.1 EVAPORATOR, Chassis Kit (77-62200-02 & -03), IW-10 : COMMOM PARTS: OPTION 2 . . . . .	148
1.14.2 EVAPORATOR, Mounting Brackets, IW-10 : OPTION 1 . . . . .	150
1.14.2 EVAPORATOR, Mounting Brackets, IW-10 : OPTION 2 . . . . .	150
1.14.3 EVAPORATOR HARNESS, IW-10 12VDC (22-62297-00): OPTION 1 . . . . .	151
1.14.3 EVAPORATOR HARNESS, IW-10 12VDC (Y25-00000-00): OPTION 2 . . . . .	151
1.14.4 COVER ASSEMBLY, EVAPORATOR, IW-10: OPTION 1 . . . . .	152
1.14.4 COVER ASSEMBLY, EVAPORATOR, IW-10: OPTION 2 . . . . .	153
1.14.4 COVER ASSEMBLY, EVAPORATOR, IW-10: OPTION 3 . . . . .	153
1.14.4 COVER ASSEMBLY, EVAPORATOR, IW-10: OPTION 4 . . . . .	154
1.14.4 COVER ASSEMBLY, EVAPORATOR, IW-10: OPTION 5 . . . . .	154
1.14.4 COVER ASSEMBLY, EVAPORATOR, IW-10: OPTION 6 . . . . .	155
1.15 IW-14 IN-WALL EVAPORATORS . . . . .	156
1.15.1 EVAPORATOR, IW-14, (77-62080-00) . . . . .	156
1.15.2 EVAPORATOR, IW-14, WITH LP SWITCH (77-62080-01) . . . . .	158
<b>SECTION 2 - CONDENSERS . . . . .</b>	<b>161</b>
SECTION 2.1 CM-2 CONDENSERS . . . . .	161
2.1.1 CONDENSER, CM-2, GEN 4 . . . . .	161
OPTION TABLE CM2 MCHX 77-01299 UNITS . . . . .	162
2.1.2 CONDENSER, CM-2, MCHX, VENTURI ASSEMBLY: OPTION 1 . . . . .	163
2.1.2 CONDENSER, CM-2, MCHX, VENTURI ASSEMBLY: OPTION 2 . . . . .	164
2.1.2 CONDENSER, CM-2, MCHX, VENTURI ASSEMBLY: OPTION 3 . . . . .	165
2.1.2 CONDENSER, CM-2, MCHX, VENTURI ASSEMBLY (24V): OPTION 4 . . . . .	166

## TABLE OF CONTENTS

2.1.2	CONDENSER, CM-2, MCHX, VENTURI ASSEMBLY (12V): OPTION 5 .....	167
2.1.3	CM-2, CONDENSER GROUND/POWER HARNESS .....	167
2.1.4	CONDENSER COIL REPLACEMENT KIT, CM-2, MICRO-CHANNEL (MCHX) : OPTION 1 .....	168
<b>OPTION TABLE CM2 MCHX 77-00273 UNITS .....</b>		<b>169</b>
2.1.5	CONDENSER, CM-2 SLIM LINE MCHX, (12VDC) COMMON PARTS: OPTION 1	170
2.1.5	CONDENSER, CM-2 SLIM LINE MCHX, (24VDC) COMMON PARTS: OPTION 2	171
2.1.6	CM-2, CONDENSER HARNESS 22-62273-00: OPTION 1 .....	172
2.1.6	CM-2, CONDENSER HARNESS 22-62260-00: OPTION 2 .....	172
2.1.6	CM-2, CONDENSER HARNESS 22-62206-00: OPTION 3 .....	173
2.1.7	CONDENSER COIL REPLACEMENT KIT, CM-2 , SLIM LINE MICRO-CHANNEL (MCHX) : ALL 77-00273-XX .....	174
2.1.8	CONDENSER, CM-2, MCHX, GRILL ASSEMBLY: OPTION 1 .....	175
2.1.8	CONDENSER, CM-2, MCHX, GRILL ASSEMBLY: OPTION 2 .....	175
2.1.8	CONDENSER, CM-2, MCHX, GRILL ASSEMBLY: OPTION 3 .....	176
2.1.8	CONDENSER, CM-2, MCHX, GRILL ASSEMBLY: OPTION 4 .....	176
2.1.8	CONDENSER, CM-2 , MCHX, GRILL ASSEMBLY; OPTION 5 .....	176
2.1.9	CONDENSER, CM-2 HEAVY DUTY MCHX, CHASSIS KIT (12V) COMMON PARTS .....	177
2.1.9	CONDENSER, CM-2 HEAVY DUTY MCHX, SERVICE REPLACEMENT CHASSIS (12V) .....	178
2.1.10	CM-2, CONDENSER HARNESS , HEAVY DUTY MCHX, 12 VDC (Y24-00080-00) .	179
<b>SECTION 2.2 CM-3 CONDENSERS .....</b>		<b>180</b>
2.2.1	CONDENSER, CM-3, GEN 4 .....	180
<b>OPTION TABLE CM3 MCHX 77-01288 UNITS .....</b>		<b>182</b>
2.2.2	CONDENSER, CM-3, MCHX, VENTURI ASSEMBLY: OPTION 1 .....	183
2.2.2	CONDENSER, CM-3, MCHX, VENTURI ASSEMBLY: OPTION 2 .....	184
2.2.2	CONDENSER, CM-3, MCHX, VENTURI ASSEMBLY: OPTION 3 .....	185
2.2.2	CONDENSER, CM-3, MCHX, VENTURI ASSEMBLY: OPTION 4 .....	186
2.2.2	CONDENSER, CM-3, MCHX, VENTURI ASSEMBLY: OPTION 5 .....	187
2.2.3	CM-3, CONDENSER GROUND/POWER HARNESS .....	187
2.2.4	CONDENSER, CM-3, MCHX, REPLACEMENT CHASSIS (77-01277-50) .....	188
<b>OPTION TABLE CM3 MCHX 77-00274 UNITS .....</b>		<b>189</b>
2.2.5	CONDENSER, CM-3 SLIM LINE MCHX, VENTURI ASSEMBLY (12V) COMMON PARTS: OPTION 1 .....	190
2.2.5	CONDENSER, CM-3 SLIM LINE MCHX, VENTURI ASSEMBLY (24V) COMMON PARTS: OPTION 2 .....	191
2.2.6	CM-3, CONDENSER HARNESS 22-62205-00: OPTION 1 .....	192
2.2.6	CM-3, CONDENSER HARNESS 22-62258-00: OPTION 2 .....	192
2.2.6	CM-3, CONDENSER HARNESS 22-62272-00: OPTION 3 .....	193
2.2.7	CONDENSER COIL REPLACEMENT KIT, CM-3 SLIM LINE, MICRO-CHANNEL (MCHX) : OPTION 1 .....	194

## TABLE OF CONTENTS

2.2.8	CONDENSER, CM-3, MCHX, GRILL ASSEMBLY: OPTION 1 .....	195
2.2.8	CONDENSER, CM-3, MCHX, GRILL ASSEMBLY (CHASSIS MOUNTED): OPTION 2 .. .....	195
2.2.8	CONDENSER, CM-3, MCHX, GRILL ASSEMBLY (CHASSIS MOUNTED): OPTION 3 .. .....	196
2.2.8	CONDENSER, CM-3, MCHX, GRILL ASSEMBLY: OPTION 4 .....	196
2.2.8	CONDENSER, CM-3, MCHX, GRILL ASSEMBLY: OPTION 5 .....	196
2.2.9	CONDENSER, CM-3 HEAVY DUTY MCHX, CHASSIS KIT (12V) COMMON PARTS .. .....	197
2.2.9	CONDENSER, CM-3 HEAVY DUTY MCHX, SERVICE REPLACEMENT CHASSIS (12V) .....	198
2.2.10	CM-3, CONDENSER HARNESS, HEAVY DUTY MCHX, 12 VDC (Y24-00079-00) ..	199
2.2.11	CONDENSER, CM-3, MCHX, GRILL ASSEMBLY .....	200
2.2.12	CONDENSER, STACKED, CM-2/CM-3 .....	201
SECTION 2.3 CM-5 CONDENSER .....		202
2.3.1	CONDENSER, CM-5 .....	202
2.3.2	CONDENSER, CM-5, FRONT and TOP VIEWS, 77-62001-00 .....	203
2.3.3	CONDENSER, CM-5, BACK, SIDE and BOTTOM VIEWS, 77-62001-00 .....	204
2.3.4	CONDENSER, CM-5, HARNESS ASSEMBLY - 22-62012-00 .....	205
2.3.5	CONDENSER, CM-5, SKIRT MOUNTED GRILL .....	205
2.3.6	LIQUID LINE ASSEMBLY, CM-5, CM-14, & C4RE, (REMOTE) .....	206
SECTION 2.4 CM-14 CONDENSER SERIES .....		207
2.4.1	CONDENSER, CM-14 STANDARD MODEL (77-62083-02, -04, -08, -09, -10 & -11) ..	207
2.4.2	CONDENSER, CM-14, GRILL, STANDARD MODEL, (77-62083-02 & -04) .....	209
2.4.2	CONDENSER, CM-14, GRILL, CHASSIS MOUNTED - (77-62083-08 & -09) .....	209
2.4.3	CM-14, CONDENSER GROUND/POWER HARNESS (FOR 77-62083-02, -04, -08, -09) .. .....	209
2.4.4	CONDENSER, CM-14 C4RE MODEL (77-62083-00) .....	210
2.4.4	CONDENSER, CM-14 C4RE, CHECK VALVE & TUBE ASSEMBLY .....	211
2.4.4	CONDENSER, CM-14 C4RE, DISCHARGE VALVE ASSEMBLY (BB) .....	212
2.4.4	CONDENSER, CM-14 C4RE, SUCTION VALVE ASSEMBLY (BB) .....	212
2.4.4	CONDENSER, CM-14 C4RE LOW AMBIENT THERMOSTAT SWITCH .....	212
SECTION 2.5 CM-15 CONDENSER SERIES .....		213
2.5.1	CONDENSER, CM-15 (77-62175-00) .....	213
SECTION 2.6 CM-16 CONDENSER SERIES .....		214
2.6.1	CONDENSER, CM-16 (77-62201-00) .....	214
SECTION 2.7 K410 CONDENSER SERIES .....		215
2.7.1	CONDENSER, K410, 3 MOTOR, 12V (SPAIN) 02-94-10-101-00 .....	215
2.7.2	CONDENSER, K410, 3 MOTOR, 12V (NORTH AMERICAN VERSION) .....	218
2.7.3	CONDENSER, K410 WINTERGUARD KIT (NORTH AMERICAN VERSION) KIT # 76-62362-00 .....	219

## TABLE OF CONTENTS

2.7.4	CONDENSER, K410 BRUSH GUARD KIT (NORTH AMERICAN VERSION) KIT # . . .	219
	SECTION 2.8 CONDENSER, K430 Condensers . . . . .	220
	INTRODUCTION . . . . .	220
	CONFIGURATION IDENTIFICATION . . . . .	220
	OPTION DESCRIPTION . . . . .	220
	Skins Kit . . . . .	220
	Refrigeration Kit . . . . .	220
	Electrical Kit . . . . .	220
	Frame Kit . . . . .	220
	<b>OPTION LEGEND K430</b> . . . . .	<b>220</b>
	<b>OPTION TABLE K430 - Single Circuit</b> . . . . .	<b>221</b>
	<b>OPTION TABLE K430 - Dual Circuit</b> . . . . .	<b>221</b>
2.8.1	CONDENSER SKINS (COVERS), K430- OPTIONS 1 & 2 & 3 . . . . .	222
2.8.2	CHASSIS Kit (Coils), K430- OPTIONS 1 & 2 . . . . .	223
2.8.3	REFRIGERATION PIPING KIT, K430, DUAL LOOP- OPTION 1 . . . . .	224
2.8.3	REFRIGERATION PIPING KIT, K430 SINGLE LOOP- OPTION 2 . . . . .	226
2.8.3	REFRIGERATION PIPING KIT, K430 DUAL LOOP (Less Filter Driers) - OPTION 3 . . . . .	228
2.8.4	FAN & MOTOR KITS, K430 OPTION 1, 2, 3 & 4 . . . . .	230
2.8.5	ELECTRICAL KIT, K430 SINGLE LOOP 3 Fan- Option 1 . . . . .	231
2.8.5	ELECTRICAL KIT, K430 DUAL LOOP 3 Fan- Option 2 . . . . .	232
2.8.5	ELECTRICAL KIT, K430 DUAL LOOP 2 Fan- Option 3 . . . . .	233
2.8.5	ELECTRICAL KIT, K430 SINGLE LOOP 3 Fan, 24VDC, Circuit Protection Weatherpac Connectors- Option 4 . . . . .	234
2.8.5	ELECTRICAL KIT, K430 SINGLE LOOP 2 Fan, 12VDC, Circuit Protection Molex Connectors- Option 5 . . . . .	235
2.8.5	ELECTRICAL KIT, K430 SINGLE LOOP 3 Fan, 12VDC, Circuit Protection Molex Connectors- Option 6 . . . . .	236
2.8.5	ELECTRICAL KIT, K430 DUAL LOOP 2 Fan, 24 & 12VDC Circuit Protect, Press. Switches, Molex Connectors- Option 7 . . . . .	237
2.8.5	ELECTRICAL KIT, K430 DUAL LOOP 3 Fan, 24 & 12VDC Circuit Protect, Press. Switches, Molex Connectors- Option 8 . . . . .	238
	SECTION 2.9 CONDENSER, 68KR4-101 SERIES . . . . .	239
	INTRODUCTION . . . . .	239
	CONFIGURATION IDENTIFICATION . . . . .	239
	OPTION DESCRIPTION . . . . .	239
	Skins Kit . . . . .	239
	Refrigeration Kit . . . . .	239
	Electrical Kit . . . . .	239
	Frame Kit . . . . .	239
	<b>OPTION LEGEND KR4</b> . . . . .	<b>239</b>



## TABLE OF CONTENTS

OPTION TABLE KR4 .....	240
2.9.1 CONDENSER, 68KR4-101 & 68KR4-102 SERIES .....	241
2.9.2 CONDENSER, 68KR4-101 & 68KR4-102 SERIES, SKINS KIT - OPTION 1 & 2 .....	242
OPTION 1 .....	242
OPTION 2 .....	242
COMMON PARTS .....	242
2.9.3 CONDENSER, 68KR4-101 SERIES, REFIGERATION KIT, DUAL LOOP - OPTION 1 ..	243
2.9.3 CONDENSER, 68KR4-101 SERIES, REFRIGERANT KIT, SINGLE LOOP - OPTION 2 ..	245
2.9.3 CONDENSER, 68KR4-101 SERIES, REFIGERATION KIT, DUAL LOOP - OPTION 3 ..	247
2.9.3 CONDENSER, 68KR4-102 SERIES, REFIGERATION KIT, DUAL LOOP - OPTION 4 ..	249
2.9.3 CONDENSER, 68KR4-102 SERIES, REFRIGERANT KIT, SINGLE LOOP - OPTION 5 ..	251
2.9.3 CONDENSER, 68KR4-102 SERIES, REFIGERATION KIT, DUAL LOOP - OPTION 6 ..	253
2.9.4 CONDENSER, 68KR4-101 SERIES, ELECTRICAL KIT - OPTION 1, 2, 3 & 4 .....	255
OPTION 1 .....	255
OPTION 2 .....	255
OPTION 3 .....	255
OPTION 4 .....	255
2.9.4 COMMON PARTS, 68KR4-101 SERIES, ELECTRICAL KIT - OPTION 1 THRU 4 - Continued:	256
2.9.4 CONDENSER, 68KR4-102 SERIES, ELECTRICAL KIT - OPTIONS 5 & 6 .....	257
2.9.4 COMMON PARTS, 68KR4-102 SERIES, ELECTRICAL KIT .....	257
OPTION 5 .....	257
OPTION 6 .....	257
2.9.4 CONDENSER, 68KR4-102 SERIES HARNESS DETAIL, OPTIONS 5 & 6 .....	258
2.9.5 68KR4-101 SERIES, FRAME KIT, OPTION 1 (ALL) .....	259
2.9.6 KR4 FEED-THROUGH PLATE ASSEMBLY (81-62151-00) .....	260
2.9.7 KR4 BULKHEAD FEED-THROUGH ASSEMBLY (79-62105-00 REFERENCE ONLY) ..	260
SECTION 2.10 CONDENSER, 68KR2/3-101 SERIES .....	261
INTRODUCTION .....	261
CONFIGURATION IDENTIFICATION .....	261
OPTION DESCRIPTION .....	261
Cover Kit .....	261
Electrical Kit .....	261
OPTION LEGEND KR2/3 .....	261
OPTION TABLE KR2 .....	261

## TABLE OF CONTENTS

OPTION TABLE KR3 .....	261
SECTION 2.10 CONDENSER, 68KR2 & 68KR3-101 SERIES .....	262
2.10.1 CONDENSER, 68KR2 & 68KR3-101 SERIES - FRAME KIT : ALL OPTIONS 1 & 2 .....	262
2.10.2 CONDENSER, 68KR3-101 SERIES - COVER KIT - OPTIONS 1 thru 4 .....	263
2.10.3 CONDENSER, 68KR3-101 SERIES - ELECTRICAL KITS - (77-62172-01, -03, -05, -07) .....	264
2.10.4 CONDENSER, 68KR2-101 SERIES - COVER KIT - 77-62171-00, -02 & -05 .....	265
2.10.5 CONDENSER, 68KR2-101 SERIES - ELECTRICAL KIT - 77-62172-00, -02, -04 & -06 .....	266
2.10.6 Figure 3-1 WINTERGUARD KITS - KR2/3 - (76-62269-00 & -01) .....	267
2.10.7 Figure 3-2 BRUSH GUARD, CONDENSER, KR2/3 AND CM-7/11 .....	268
2.10.8 FEED-THROUGH PLATE ASSEMBLIES - ROOFTOPS - (81-62138) .....	269
2.10.9 FEED-THROUGH PLATE ASSEMBLIES - ROOFTOPS - (81-62145) .....	270
2.10.10 FEED-THROUGH PLATE ASSEMBLIES - ROOFTOPS - (81-62156) .....	270
<b>SECTION 3 - FITTINGS &amp; HOSE .....</b>	<b>271</b>
SECTION 3.1 FITTINGS .....	271
3.1.1 FITTING, A-6 COMPRESSOR, (GM STYLE) .....	272
3.1.2 FITTINGS - TM-31 .....	273
3.1.3 FITTINGS - MISCELLANEOUS .....	273
3.1.4 FITTINGS, TEE .....	274
3.1.5 FITTING, SWIVEL UNIONS .....	274
3.1.6 FITTING, FLARE TO O-RING .....	274
3.1.7 FITTING, TUBE-O, R134a .....	274
3.1.8 FITTING, ADAPTER AND CAP .....	275
3.1.9 FITTING, SUCTION (SPRINTER) .....	275
3.1.10 FITTINGS - BRONZE & BRASS - MISC.: .....	275
3.1.11 FITTINGS -BLOCK ASSEMBLY .....	275
3.1.12 "O"-RINGS, HNBR .....	276
SECTION 3.2 COMPRESSOR FITTING KITS .....	277
3.2.1 INSTALLATION INSTRUCTIONS FOR COMPRESSORS WITH GM STYLE PORTS ON REAR .....	277
3.2.2 INSTALLATION INSTRUCTIONS FOR COMPRESSORS WITH GM STLE PORTS (FlexCLIK MANIFOLD FITTINGS) .....	277
3.2.3 COMPRESSOR TO REFRIGERANT HOSE, INTERFACE FITTINGS .....	278
<b>SECTION 4 - COMPRESSORS .....</b>	<b>279</b>
4.1 MOUNTING IDENTIFICATION .....	279
4.2 CLUTCH IDENTIFICATION .....	279
4.3 MANIFOLD IDENTIFICATION .....	280
4.4 SANDEN, SD-508, (R12) .....	281
4.5 SANDEN, SD-709, (R12) .....	281
4.6 SANDEN, SD-709 (R12 & R134a) .....	282

## TABLE OF CONTENTS

4.7	SANDEN, SD-510, (R12) .....	283
4.8	SANDEN, SD-7H15, (R134a) .....	284
4.9	SANDEN SD-7H15 SHD, PARTS .....	285
4.10	SELTEC, TM-15, (R12) .....	285
4.11	SELTEC, TM-15, (R134a) .....	286
4.13	SELTEC, TM-16 & TM-16HS, (R134a) .....	287
4.14	QUE COMPRESSORS (Alternative Compressor for Valeo TM16 Line) .....	289
4.15	SELTEC, TM-15/16 PARTS (Replaces DK-15 Diesel Kiki Parts) .....	290
4.16	SELTEC, TM-21HX, (R134a) .....	291
4.17	QUE COMPRESSORS (Alternative Compressor for Valeo TM21 Line) .....	291
4.18	SELTEC, TM-26, (R12) .....	292
4.19	SELTEC, TM-26, (R134a) .....	292
4.20	SELTEC, TM-26 PARTS .....	292
4.21	SELTEC, TM-31, (R134a) .....	293
4.22	QUE COMPRESSORS (Alternative Compressor for Valeo TM31 Line) .....	293
4.23	SELTEC, TM-31 PARTS .....	293
4.24	YORK COMPRESSORS & PARTS .....	294
4.25	ALMA, A-6, (R134a) .....	294
4.26	ALMA, A-6 PARTS .....	295
4.27	OIL - COMPRESSOR .....	295
4.28	SUCTION LINE ACCUMULATOR .....	296
<b>SECTION 5 - ELECTRICAL .....</b>		<b>297</b>
5.1	FUSE AND FUSE HOLDERS .....	297
5.2	RELAY ASSEMBLIES, 70 Amp .....	298
5.3	RELAY CONNECTOR ASSEMBLIES, (40/50 Amp) .....	298
5.4	RELAYS - SOLENOIDS .....	299
5.5	SWITCHES .....	299
5.6	CIRCUIT BREAKER .....	300
5.7	TERMINAL BOARDS .....	300
5.8	PRESSURE SWITCHES .....	301
5.9	THERMOSTATS .....	301
5.10	DIODES-LIGHTS-RESISTORS .....	301
5.11	GAUGES-SENDERS .....	301
5.12	HARNESS, ELECTRICAL .....	302
5.13	CONNECTORS, ELECTRICAL .....	302
5.14	ALTERNATOR, BATTERYLESS, 24VDC .....	303
5.15	FAN BLADES AND FAN ASSEMBLIES .....	304
5.16	MOTORS .....	304
5.17	BLOWER ASSEMBLIES .....	305

## TABLE OF CONTENTS

5.18	DRIVERS CONTROL PANEL (GEN 1 THROUGH GEN 4) .....	307
5.19	DRIVERS CONTROL PANEL GEN-5 (VARIABLE) .....	308
5.20	DRIVERS CONTROL PANEL KITS 77-62135-00, -01, -02, 03, -04 & -05 .....	309
5.21	DRIVERS CONTROL PANEL KITS 77-62135-06 & -07 .....	310
5.22	TEMPCON CONTROL PANELS .....	311
5.23	Tempcon SENSOR ASSEMBLY (KITS) .....	311
5.24	DRIVERS CONTROL PANEL, (TOTAL CONTROL) .....	312
5.25	DRIVERS CONTROL PANEL, (EnviroMATE) .....	313
5.26	REPLACEMENT ELECTRICAL CONTROL PANELS, CROSS-REFERENCE MATRIX . .....	314
5.27	ELECTRICAL CONTROL PANELS (TYPICAL) .....	315
5.28	ELECTRICAL Panel, Y25-00012-00 .....	316
5.29	ELECTRICAL Panel, Y25-00013-00 .....	317
5.30	ELECTRICAL Panel, Y25-00014-00 .....	318
5.31	ELECTRICAL Panel, Y25-00031-00 .....	319
5.32	ELECTRICAL CONTROL PANELS (THOMAS) .....	320
5.33	ELECTRICAL HARNESS Replacement Parts (THOMAS) .....	321
5.33	ELECTRICAL HARNESS Replacement Parts (THOMAS) : Continued .....	322
5.33	ELECTRICAL HARNESS Replacement Parts (THOMAS) : Continued .....	323
5.34	PANEL ASSEMBLIES, TOTAL CONTROL (TYPICAL) .....	324
5.35	CONTROL PANEL, EM-17 SPLIT, KR-4D, (24 VDC) .....	325
5.36	CONTROL PANEL, EM-17 & CM-5, (WITH HEAT) .....	327
5.37	CONTROL PANEL, EM-17 & CM-5 (W/O HEAT) .....	329
5.38	CONTROL PANEL, EM-17 & KR4, 91-62011-04 .....	331
<b>SECTION 6 - ENGINE KIT PARTS .....</b>		<b>332</b>
6.1	BUSHINGS - IDLERS - ECCENTRICS - FAN SPACERS .....	332
6.2	PULLEYS .....	333
6.3	PULLEYS .....	334
6.4	BELTS, POLY-V, 6 GROOVES, 0.840 WIDTH .....	335
6.4	BELTS, POLY-V, 6 GROOVES, 0.840 WIDTH - Continued: .....	336
6.5	BELTS, POLY-V, 8 GROOVES, 1.120 WIDTH .....	336
6.5	BELTS, POLY-V, 8 GROOVES, 1.120 WIDTH - Continued: .....	337
6.6	BELTS, POLY-V, 10 GROOVES, 1.380 WIDTH .....	337
6.7	V-BELT, SINGLE "A" GROOVE .....	338
6.7	V-BELT, SINGLE "A" GROOVE - Continued: .....	339
6.8	V-BELT, SINGLE "B" GROOVE .....	339
6.9	V-BELT, 2 GROOVE, BANDED .....	339
6.10	HOSE, MISCELLANEOUS .....	340
6.11	INSULATION TUBE, (HEAT) .....	340
<b>SECTION 7 - MISCELLANEOUS .....</b>		<b>341</b>
7.1	HOSECOVERS AND ACCESSORIES .....	341

## TABLE OF CONTENTS

7.2	HOSECOVERS - 2 PIECE DESIGN .....	342
7.3	HOSECOVERS - 1 PIECE DESIGN .....	342
7.4	HARDWARE KIT, EVAPORATOR MOUNTING TO CHANNELS, (REAR) .....	343
7.5	HARDWARE KIT, EVAPORATOR COVER MOUNTING, (REAR AND SIDE MOUNT)	343
7.6	DEFLECTORS .....	344
7.7	LOUVERS .....	345
7.8	REFRIGERATION COMPONENTS .....	346
7.9	THERMAL EXPANSION VALVE, BLOCK .....	347
7.10	SIGHTGLASSES .....	347
7.11	DRIERS .....	348
7.12	PLASTIC FITTINGS .....	349
7.13	INSULATED CLAMPS .....	350
7.14	STAUFF CLAMPS .....	350
7.15	HOSE CLAMPS .....	351
7.16	CONDENSATE VALVE & DRAIN HOSE .....	351
7.17	MISCELLANEOUS CLAMPS .....	352
7.18	RETURN AIR FILTERS .....	352

## INTRODUCTION

This parts list identifies service replacement parts for Mobile Climate Control Split System components. The air conditioning/heating system consists of a condenser module, evaporator module, electrical controls and engine compartment mounted compressor. To complete the system, the air conditioning and heating equipment interfaces with electrical cabling, engine cooling piping, duct work and other components.

Information is supplied throughout the manual in sections outlining the major components. These sections include; the Evaporator Section, Condenser Section, Power Packs & Auxiliary Drive Modules Section, Fitting & Hose Section, Compressor Section, Electrical Section, Mount Kit Section and Miscellaneous Section. Each section is divided to provide information on various sizes of equipment and where required, various generations of design. Identification of the various size equipment is identified by model designation while generation of design is identified by serial number.

## ORDERING INSTRUCTIONS

All orders and inquiries for parts must include: Unit Serial Number, Part No., description of part as shown on list and quantity required. Parts can be ordered by going to the following website:

**[www.mcc-hvac.com](http://www.mcc-hvac.com)**

## GENERAL NOTES

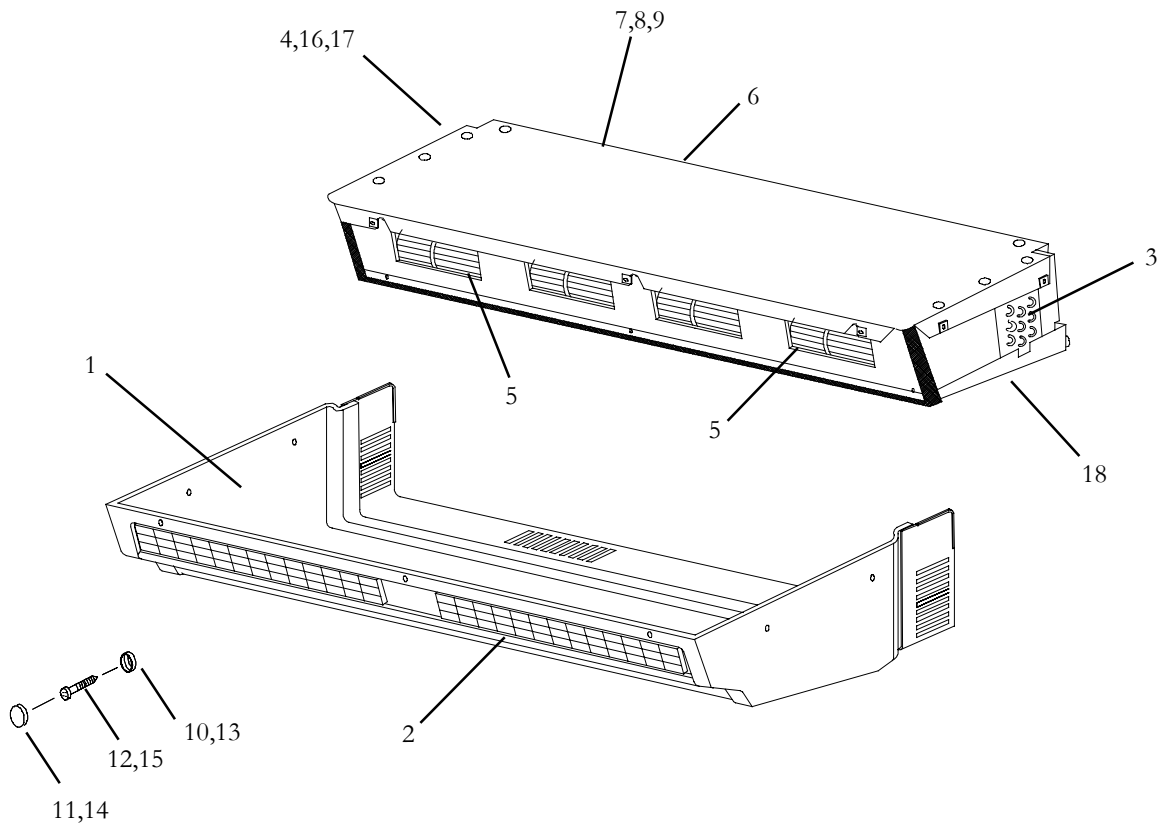
1. This catalog contains those items most commonly required for replacement purposes. If parts other than those cataloged are required, please provide the model number and serial number of the unit on which the parts are to be used and a complete description including references to items which are cataloged.
2. The replacement parts listed in this catalog are “Factory-Authorized Parts” and, as a result of “standardization,” may not be identical to the original part furnished on the equipment.
3. The following letter designations are used to classify parts throughout this list:
  - A/R = As Required,
  - H/C = Heat/Cool,
  - N/A = Not Available
  - N/S = Not Shown On Illustration
  - NSS = Not Sold Separately,
  - REF = For Reference Only
  - NSI = Non-stock Item



## SECTION 1 - EVAPORATORS

### SECTION 1.1 EM-1 EVAPORATORS

#### 1.1.1 EVAPORATOR, EM-1, GEN 4, FREE BLOW



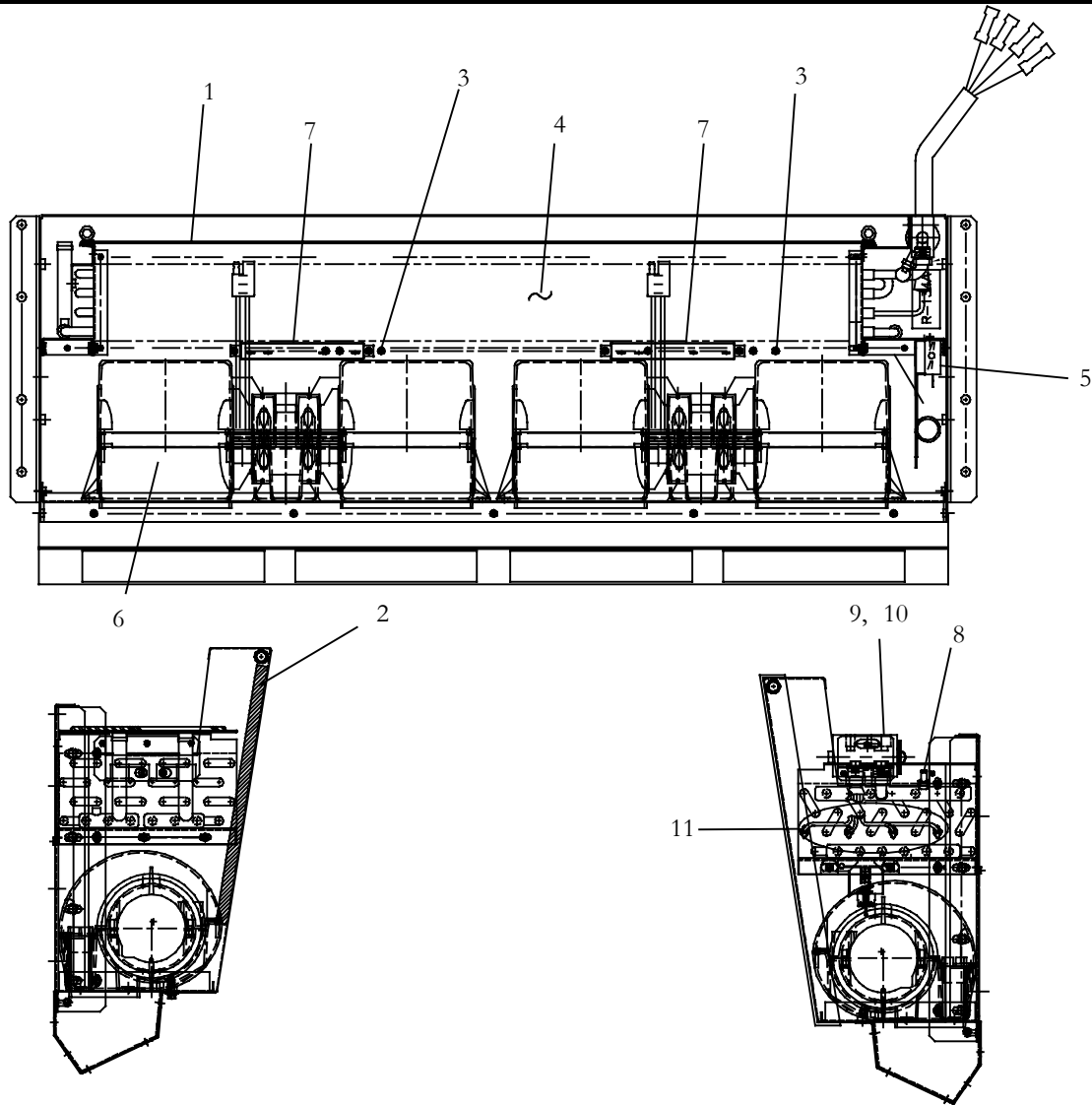
For replacement parts on units with serial #1-032501 to #.

Item	Part Number	Description	Qty
1	79-62071-00	Cover Assembly, White	1
	79-62071-01	Cover Assembly, Gray	1
2	AC401-320	Louver Assembly, (14 3/8 Inch X 3 3/8 Inch)	2
3	08-62059-00	Coil, Assembly, With Low Pressure Switch Connection, With Heat	1
	08-62060-00	Coil, Assembly, With Low Pressure Switch Connection, Cool Only	1
4	14-00397-00	Thermal Expansion Valve	1
5	AC401-232	Blower Assembly, Dual, 12 Volt	2
	AC401-233	Blower Assembly, Dual, 24 Volt	2
6	AC801-405	Filter, Return Air, (35 X 7 1/4 Inch)	1
7	AC201-501	Thermostat, Freeze-Up	1



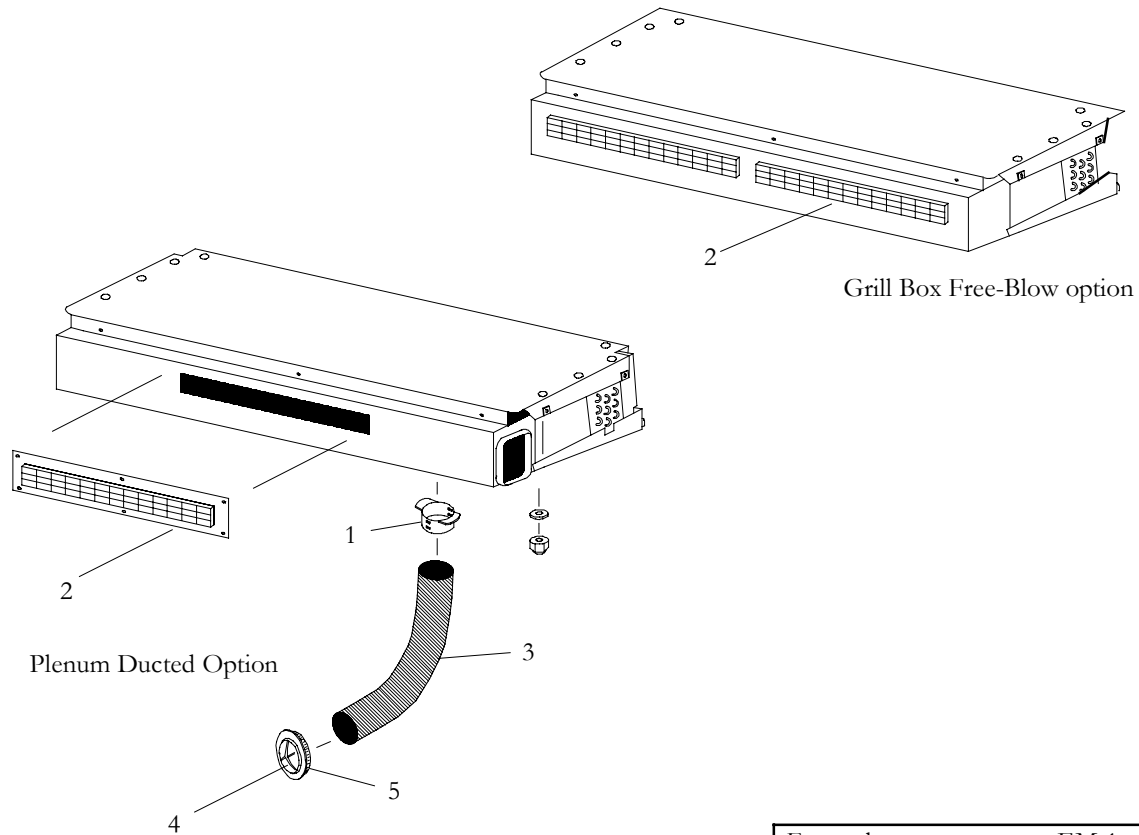
<b>1.1.1 EVAPORATOR, EM-1, GEN 4, FREE BLOW - Continued:</b>			
<b>Item</b>	<b>Part Number</b>	<b>Description</b>	<b>Qty</b>
8	76-62019-00	Resistor Kit, (1.8 Ohm, 4 Prong)	2
9	22-62125-00	Harness, Evaporator, GSA, 12 VDC	1
	22-62240-00	Harness, Evaporator, W/Low Pressure Switch, 12 VDC	1
	AC022-717	Harness, Evaporator, 24 VDC	1
10	AC801-529	..... Washer, Snap Cap	8
11	AC801-532	..... Snap Cap, Gray	8
12	NSI	..... Screw, Pan Head, Phillips, #10 X 5/8 Inch, AB, Black	8
13	AC801-529	..... Washer, Snap Cap	8
14	AC801-531	..... Snap Cap, White	8
15	NSI	..... Screw, Pan Head, Phillips, #10 X 5/8 Inch, AB, Black	8
16	AC201-412	Switch, Low Pressure	1
17	AC801-202	O-Ring, 1/2 Inch, TXV	2
18	79-02383-00	Drain Pan Assembly	1

**1.1.2 EVAPORATOR, EM-1, GEN 4 CHASSIS KIT WITH HEAT**



Item	Part Number	Description	Qty
1	AC801-405	Filter, Return Air (.090 Thick x 8.00 x 35.38 Inches)	1
2	AC022-313	Baffel, Drain Pan, Foam	1
3	N/A	Angle, Bracket, Harness Stand-Off	2
4	08-62059-00	Coil Assembly, Evaporator/Heater, With Low Pressure Switch Connection	1
5	12-00685-00	Thermostat, Freeze-Up, Non-Adjustable	1
6	54-00588-00	Fan & Motor Assembly, Evaporator, 12 VDC	2
7	76-62019-00	Resistor Kit, (1.8 Ohm, 4 Prong)	2
8	AC201-412	Switch, Pressure, Low, Non-Adjustable	1
9	14-00397-00	Valve, Thermal Expansion, Block Type, R134a	1
10	AC801-202	O-Ring, 1/2 Inch, HNBR	2
11	42-00032-00	Tape, Insulation, Presssite, 2.00 x 30.00 Feet Long	1

**1.1.3 PLENUM & GRILL BOX FOR EVAPORATORS EM-1 & 2, GEN 4**



For replacement parts on EM-1 with serial #1-025002 to #1-.

For replacement parts on EM-2 with serial #2-012001 to #2-.

Item	Part Number	Description	Qty
1	AC401-307	Adapter, Hose, 2-1/2 Inch	2
2	AC401-320	Louver, 14-3/8 Inch X 3-3/8 Inch	2
3	AC301-205	Duct, Hose, 2-1/2 inch X foot	3
4	58-01386-00	Louver, Ball, 2-1/2 inch with Hose Back	2
5	AC401-306	Ring, Mounting, Louver Ball	2

**OPTION TABLE - EM1 - GEN V,  
12 VDC - 3 Speed**

<b>MODEL EM1 Gen V 77-62512</b>	<b>Cover Kit</b> (see Section 1.1.6)	<b>Chassis Kit</b> (see Section 1.1.4)	<b>Wire Harness</b> (see Section 1.1.5)
-00	-	1	1
-01	-	1	2
-05	-	1	1 & 5
-06	-	1	1 & 7
-07	-	1	1 & 7
-21	1	1	1 & 5
-22	1	1	1 & 5
-23	2	1	1 & 5
-31	1	1	1 & 5
-32	1	1	1 & 5
-41	1	1	1 & 5
-42	1	1	1 & 5
-44	1	1	1 & 5
-45	1	1	1 & 5
-46	1	1	2
-47	1	1	1 & 5
-48	-	1	1 & 5
-51	2	1	1 & 5
-52	2	1	1 & 5
-61	2	1	1 & 5
-62	2	1	1 & 5
-64	2	1	2
-80	1	1	1 & 6
-81	1	1	1 & 6
-82	1	1	1 & 6
-83	1	1	1 & 6
-85	1	1	1 & 5
-90	2	1	1 & 7
-91	2	1	1 & 7
-95	1	1	1 & 5
-96	1	1	1 & 5

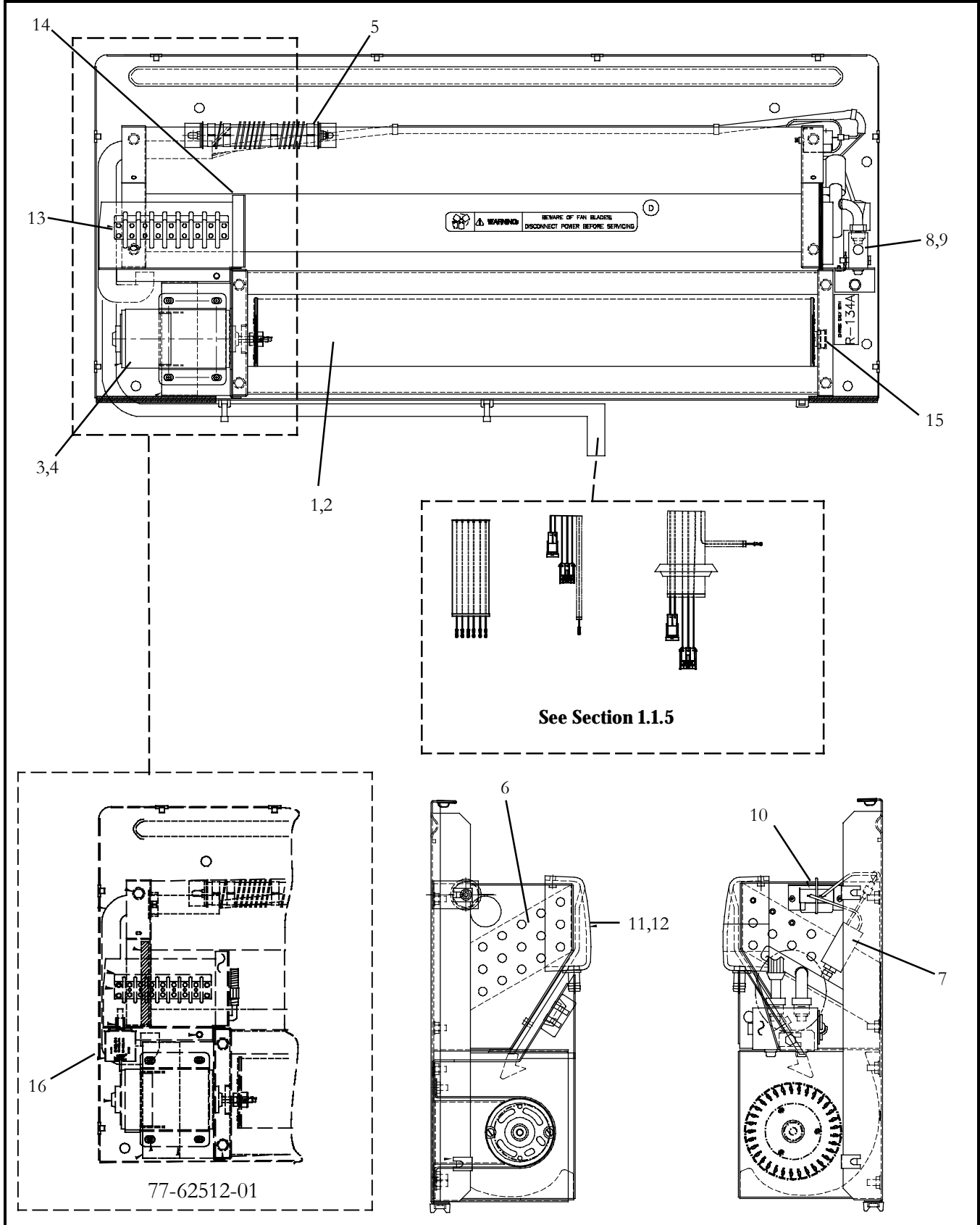
**OPTION TABLE - EM1 - GEN V  
12 VDC - Variable Speed**

<b>MODEL EM1 Gen V 77-62112</b>	<b>Cover Kit</b> (see Section 1.1.6)	<b>Chassis Kit</b> (see Section 1.1.4)	<b>Wire Harness</b> (see Section 1.1.5)
-00	-	1	3
-01	-	1	4
-21	1	1	3
-22	1	1	3
-31	1	1	3
-32	1	1	3
-41	1	1	3
-42	1	1	3
-44	1	1	3
-45	1	1	3
-51	2	1	3
-52	2	1	3
-61	2	1	3
-62	2	1	3
-80	1	1	3 & 8
-82	1	1	3 & 8

**OPTION TABLE - EM1 - GEN V  
24 VDC - Variable Speed**

<b>MODEL EM1 Gen V 77-62124</b>	<b>Cover Kit</b> (see Section 1.1.6)	<b>Chassis Kit</b> (see Section 1.1.4)	<b>Wire Harness</b> (see Section 1.1.5)
-00	N/A	1	3
-41	1	1	3
-42	1	1	3
-61	2	1	3
-62	2	1	3

**1.1.4 EM-1, GEN-V, 3 SPEED CHASSIS KITS 77-62512-XX (COMMON PARTS): OPTION 1**



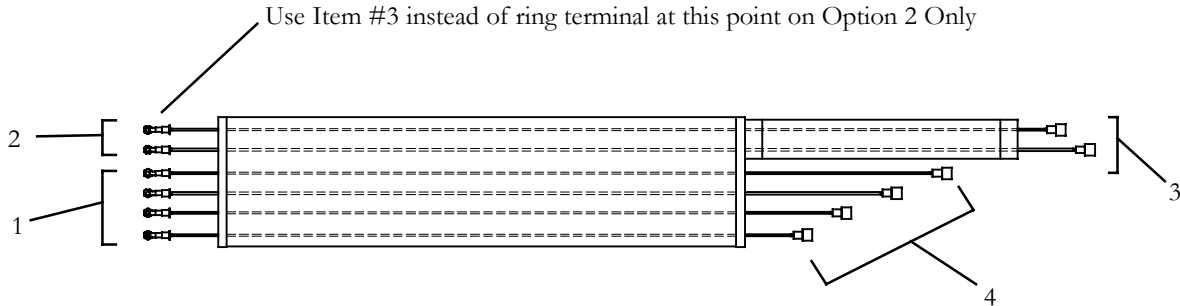




<b>1.1.4 EM-1, GEN-V, 3 SPEED CHASSIS KITS 77-62512-XX (COMMON PARTS) - Cont:</b>			
<b>Item</b>	<b>Part Number</b>	<b>Description</b>	<b>Qty</b>
1	38-00564-50	.....Blower Wheel (Length: 29.12 Inches - 739.8 mm)	1
2	34-00482-05	.....Set Screw, Cup Point, 1/4-28, SST	1
3	Y45-00005-50	Motor, Evaporator, EM-1, 12 VDC, (GEN-V)	1
	22-62328-00	.....Fuse, 40A (Gen V 12 VDC)	1
4	Y45-00005-53	Motor, Evaporator, EM-1, 24 VDC, (GEN-V)	1
	22-62328-02	.....Fuse, 25A (Gen V 24 VDC)	1
5	22-62169-00	Resistor, Fan Speed, 220 Watt, .820 OHM <b>(3 Speed Application ONLY)</b>	1
6	08-62068-00	.....Coil Assembly, EM-1	1
7	AC201-412	.....Switch, Pressure, Low	1
8	14-00397-00	.....Valve, Thermal Expansion, R134a	1
9	AC801-202	.....O-Ring, 1/2 Inch	2
10	12-00685-00	Thermostat, Freeze, Non-Adjustable	1
11	79-62106-00	Drain Pan Assembly, EM-1 - Includes:	1
12	42-62140-00	.....Baffle, Drain Pan, Foam	1
13	22-62100-00	Terminal Block, 7 Position, With Screws	1
14	58-62064-00F25	Trim Seal, 1/8 Inch Grip, (25 Foot Roll)	1
15	76-62257-00	Bearing Housing & Boot Repair Kit	1
16	AC201-500	Thermostat, Return Air Sensor (Used on 77-62512-01, -46 & -64 ONLY)	1

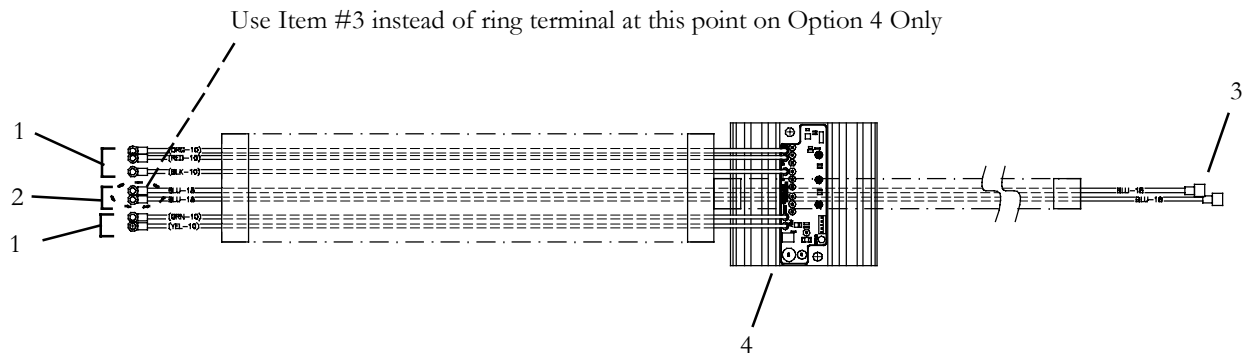
**NOTE: Complete Wire Harnesses are Non-Stock Items. Replace Components are Listed.**

**1.1.5 EM1 GEN-V, Wire Harness 22-62168-00 & -01: OPTION 1 & OPTION 2**



Item	Part Number	Description	Qty
1	22-00119-03	Terminal Ring #10, 12/10 AWG	4
2	22-00121-27	Terminal Ring #10, 22/18 AWG	2
3	22-02245-02	Terminal, Female, Fully Insulated Faston Straight 1/4", 22/18 AWG	2/3
4	31-1247	Terminal, Female, Fully Insulated Faston Straight 1/4", 12/10 AWG	4

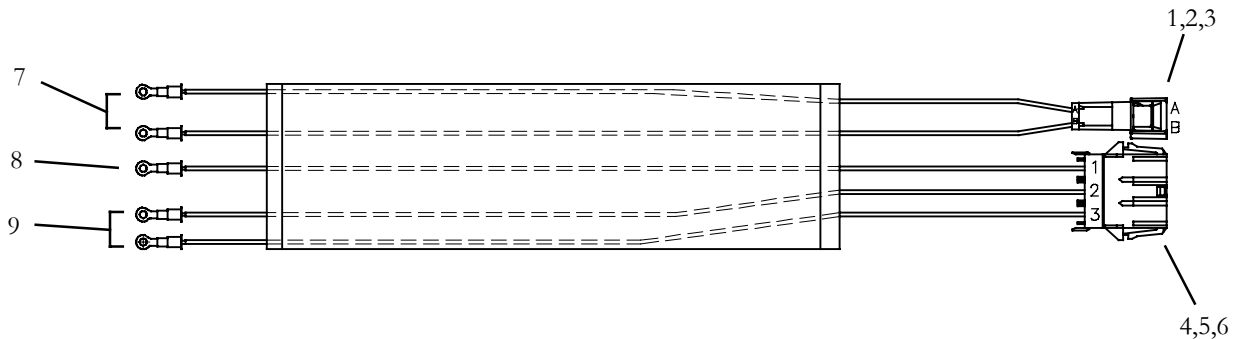
**1.1.5 EM1 GEN-V, Wire Harness 22-62099-00 & -01: OPTION 3 & OPTION 4**



Item	Part Number	Description	Qty
1	22-01140-02	Terminal Ring #10, 12/10 AWG	5
2	22-00121-27	Terminal Ring #10, 22/18 AWG	2
3	22-02245-02	Terminal, Female, Fully Insulated Faston Straight 1/4", 22/18 AWG	2/4
4	12-00533-00	Speed Controller w/Harness	1

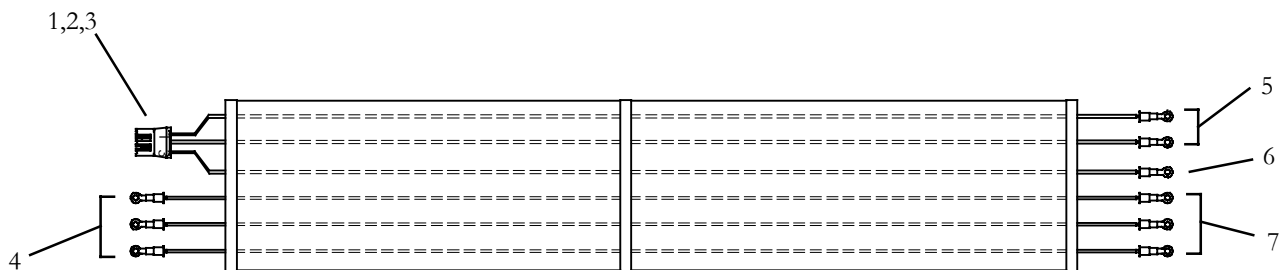
**NOTE: Complete Wire Harnesses are Non-Stock Items. Replace Components are Listed.**

**1.1.5 EM1 GEN-V, Wire Harness 22-62286-00: OPTION 5**



Item	Part Number	Description	Qty
1	22-50099-37	Connector, Male, 2 Way, MP 280 Series, Unsealed	1
2	22-50099-37A	Terminal, Male, 16/18 AWG	2
3	22-50099-37D	Lock, Secondary	1
4	22-50099-32	Connector, Plug Housing, 3 Way, Molex	1
5	22-50099-32A	Terminal, Male, Molex 10/12 AWG	2
6	22-50099-32B	Terminal, Male, Molex, 8 AWG	1
7	22-00121-27	Terminal Ring #10, 22/18 AWG	2
8	22-00119-03	Terminal Ring #10, 12/10 AWG	2
9	22-00872-01	Terminal Ring #10, 8 AWG	1

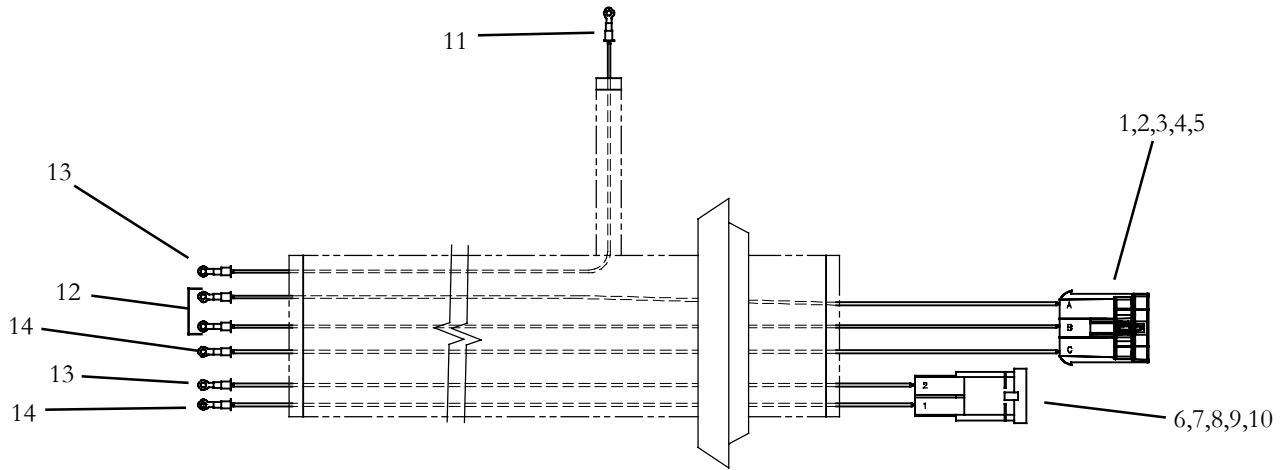
**1.1.5 EM1 GEN-V, Wire Harness 22-62261-00: OPTION 6**



Item	Part Number	Description	Qty
1	Y31-00007-00	Connector, Female, Molex, 3 Way	1
2	Y31-00007-50	Terminal, Female, Molex, 18-20 AWG	2
3	Y31-00007-51	Terminal, Female, Molex, 14-16 AWG	1
4	22-01140-04	Terminal, Ring 3/8", 12/10 AWG	3
5	22-00121-27	Terminal, Ring, #10 - 18 AWG	2
6	22-01139-02	Terminal, Ring, #10 - 14/16 AWG	1
7	22-01140-02	Terminal, Ring, #10 - 12/10 AWG	3

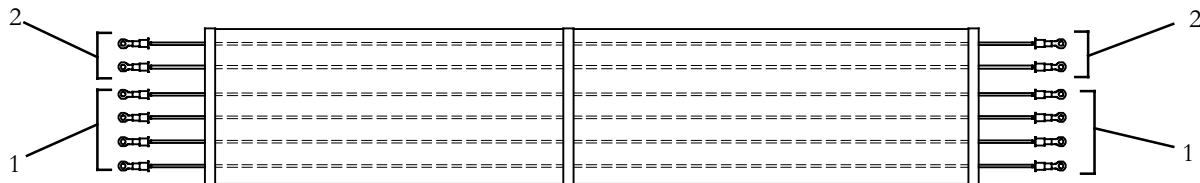
**NOTE: Complete Wire Harnesses are Non-Stock Items. Replace Components are Listed.**

**1.1.5 EM1 GEN-V, Wire Harnesses 22-62247-00 & 22-62204-00: OPTION 7**



Item	Part Number	Description	Qty
1	22-50078-86	Connector, Male, M/P 630, 3 Way	1
2	22-50078-49A	Terminal, Male, 18 AWG	2
3	22-50078-49C	Terminal, Male, 12 AWG	1
4	22-50078-86B	Cable Seal	3
5	22-50078-86A	Lock, Secondary	1
6	22-50098-67	Connector, Male, Tyco, 2 Way	1
7	22-50098-67B	Terminal, Male, 8 AWG	1
8	22-50098-67A	Terminal, Male, 10/12 AWG	1
9	22-50098-67C	Cable Seal, 10/12 AWG	1
10	22-50098-67D	Cable Seal, 8 AWG	1
11	22-00872-03	Terminal, Ring 5/16", 8 AWG	2
12	22-00121-27	Terminal, Ring, #10 - 18 AWG	2
13	22-00872-01	Terminal, Ring, #10 - 8 AWG	2
14	22-00119-03	Terminal, Ring, #10 - 12/10 AWG	2

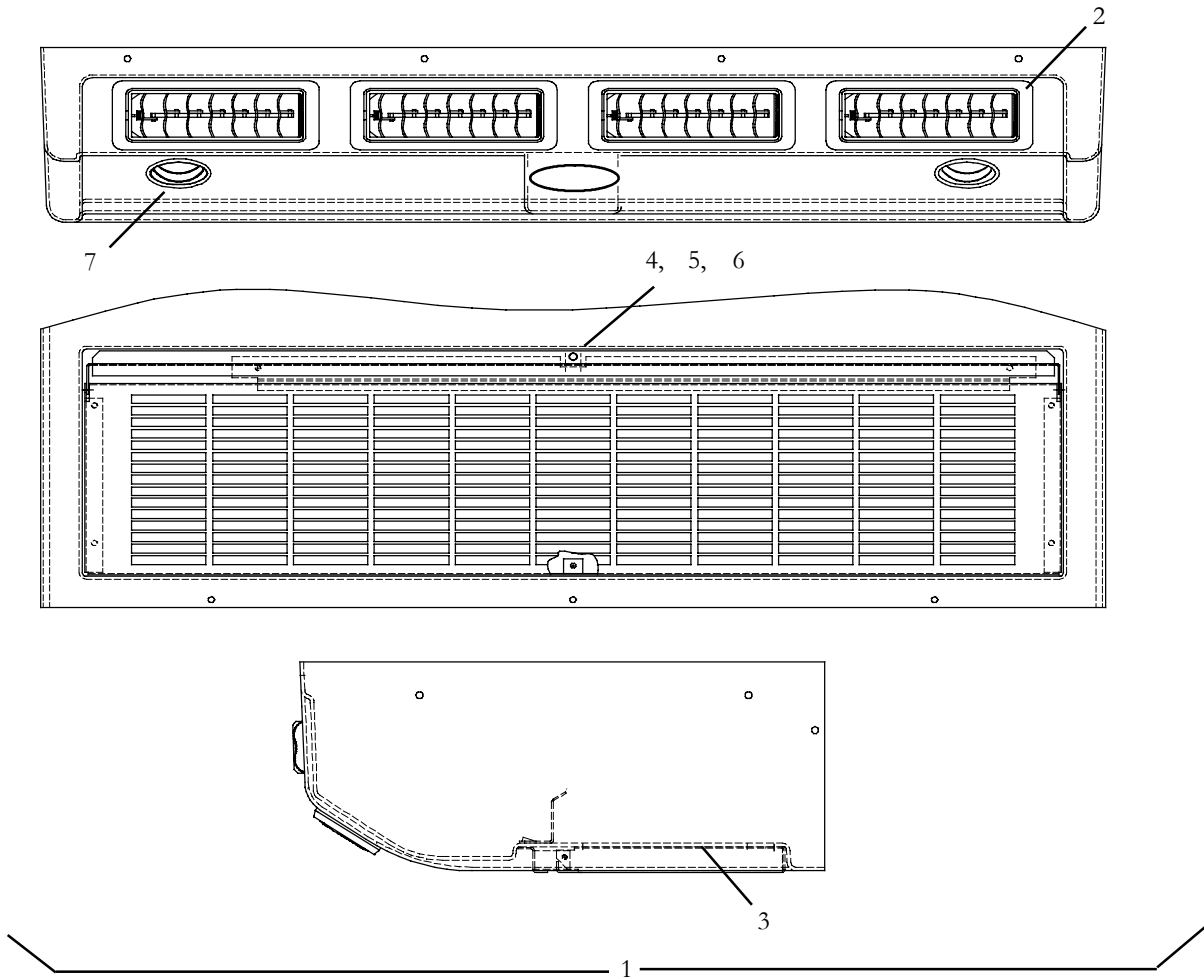
**1.1.5 EM1 GEN-V, Wire Harness 22-62194-00: OPTION 8**



Item	Part Number	Description	Qty
1	22-01140-02	Terminal Ring #10, 10 AWG	8
2	22-00121-27	Terminal Ring #10, 22/18 AWG	4

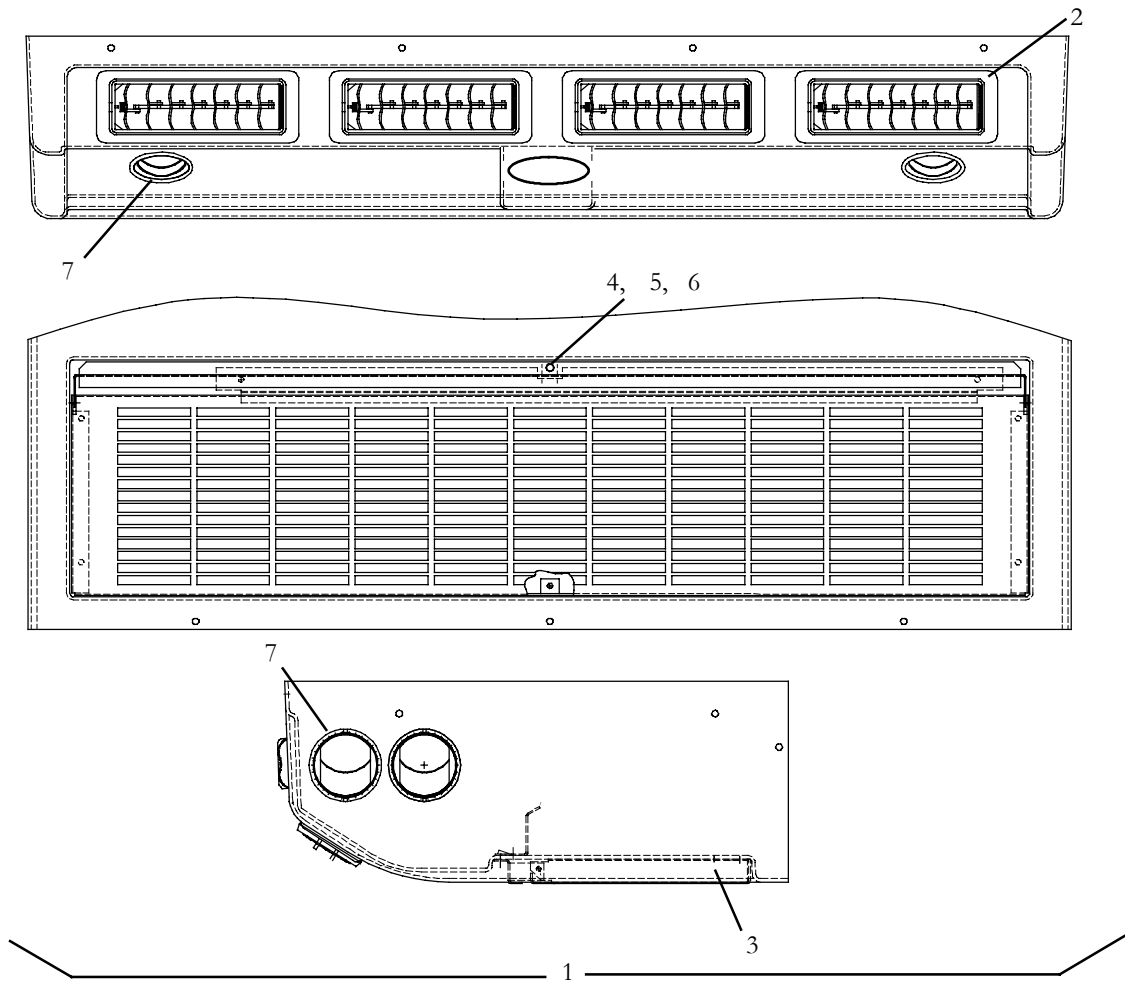


1.1.6 COVER ASSEMBLY, EM-1, GEN-V, 3 SPEED, REAR MOUNT - OPTION 1



Item	Part Number	Description	Qty
1	79-62035-01	Cover Assembly, Complete, Rear Mount, White - Includes:	1
	79-62035-02	Cover Assembly, Complete, Rear Mount, Gray - Includes:	1
2	58-62042-00	.....Louver, Rectangle (8.0 X 3.0 Inches)	4
3	38-00573-01	.....Filter, Air, EM-1, 36.5 X 9 Inches (GenV)	1
4	34-62019-00	.....Receptacle, 1/4 Turn	1
5	34-62020-00	.....Stud, 1/4 Turn, .25 Grip Range	1
6	34-06169-01	.....Washer, Retaining, .215 I. D.	1
7	58-62077-00	.....Louver, Adjustable, 3.00 Inch (Round)	2

**1.1.6 COVER ASSEMBLY, EM-1, GEN-V, 3 SPEED, SIDE MOUNT - OPTION 2**

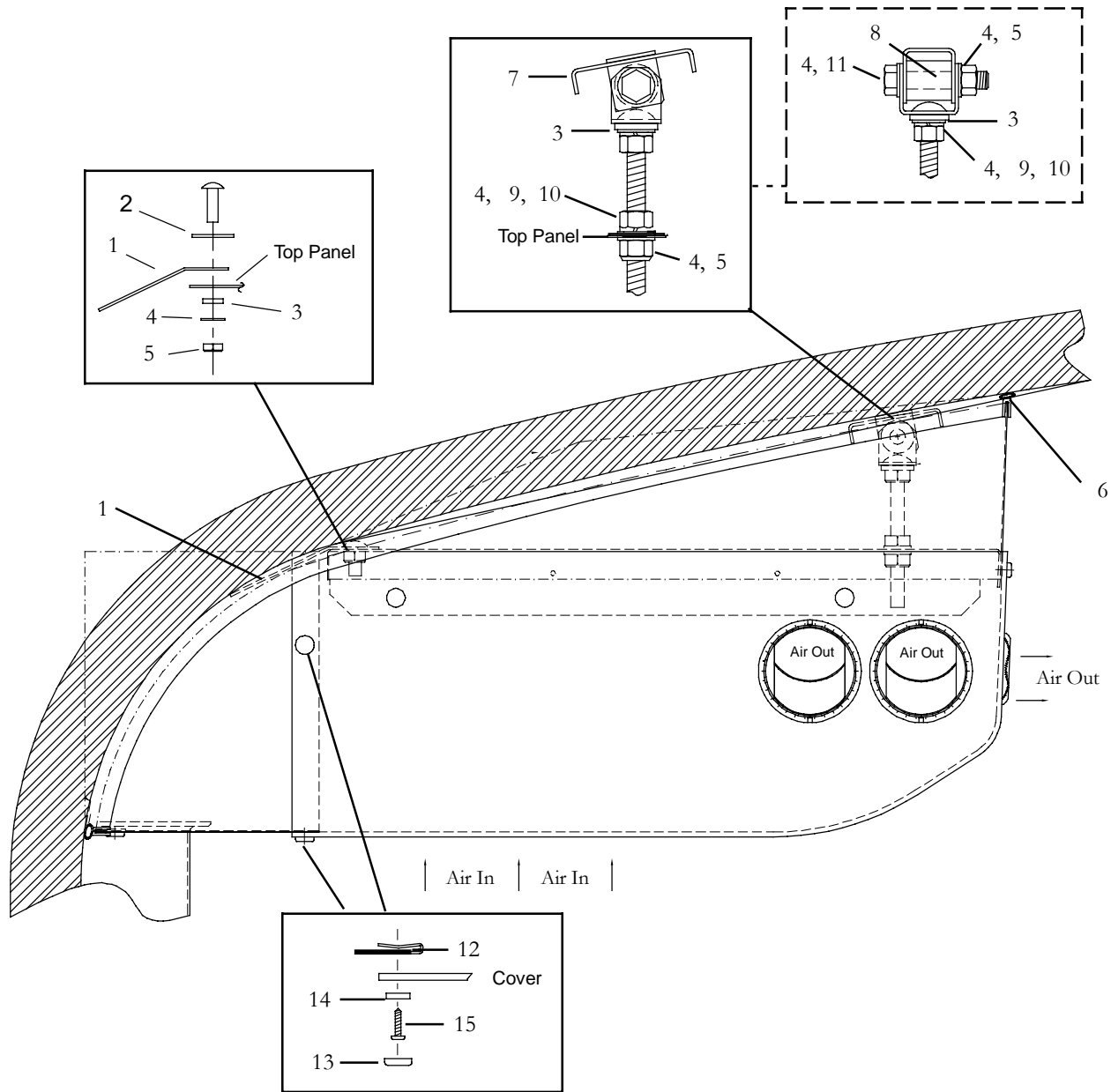


Item	Part Number	Description	Qty
1	79-62036-01	Cover Assembly, Complete, Side Mount, White - Includes:	1
	79-62036-02	Cover Assembly, Complete, Side Mount, Gray - Includes:	1
2	58-62042-00	.....Louver, Rectangle (8.0 X 3.0 Inches)	4
3	38-00573-01	.....Filter, Air, EM-1, 36.5 X 9 Inches (GenV)	1
4	34-62019-00	.....Receptacle, 1/4 Turn	1
5	34-62020-00	.....Stud, 1/4 Turn, .25 Grip Range	1
6	34-06169-01	.....Washer, Retaining, .215 I. D.	1
7	58-62077-00	.....Louver, Adjustable, 3.00 Inch (Round)	6





1.1.7 MISCELLANEOUS INSTALLATION COMPONENTS, EM-1, GEN-V, SIDE MOUNT



Item	Part Number	Description	Qty
1	68-63875-00	Rear Hanger, Side Mount	1
2	68-63874-00	Plate, Washer	2
3	AC601-602	Spacer, Steel, 7/8 OD X 1/2 ID X 1/8 Inch Long	2
4	NSI	Washer, Flat, 3/8 Inch, Zinc Plated	8
5	NSI	Nut, Hex, Lock, 3/8-16, Zinc Plated	6
6	AC801-412F25	Gasket, Trimlock, Black (25 Ft. Roll)	1
7	AC020-174	Bracket, Weld Assembly, Front Hanger	1
8	AC601-616	Spacer, Steel, 7/8 OD X 1/2 ID X 1 Inch Long	2
9	NSI	Washer, Split Lock, 3/8 Inch, Zinc Plated	6



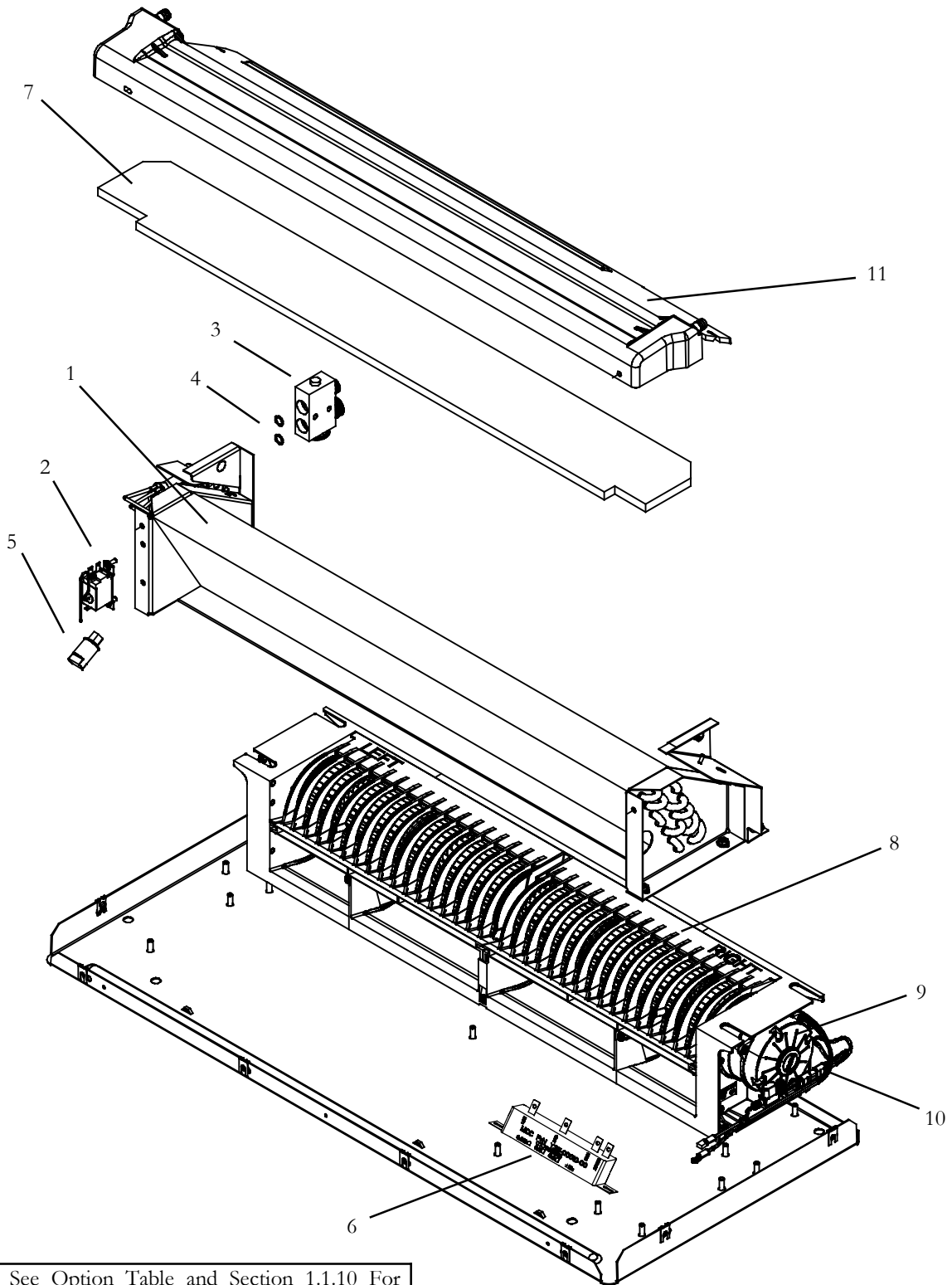
<b>1.1.7 INSTALLATION COMPONENTS, EM-1, GEN-V, SIDE MOUNT - Continued:</b>			
<b>Item</b>	<b>Part Number</b>	<b>Description</b>	<b>Qty</b>
10	NSI	Nut, Hex, 3/8-16, Zinc Plated	4
11	NSI	Bolt, Hex Head, 3/8-16 X 2 Inch, Zinc Plated, Grade 8	2
12	AC701-123	Tinnerman Clip, Hi Torque, #10 AB	8
13	AC801-531	Cap, Snap, White	8
	AC801-532	Cap, Snap, Gray	8
14	AC801-529	Washer, Snap Cap	8
15	NSI	Screw, Pan Head Phillips, #10 X 5/8 Inch, AB, Black	8

**OPTION TABLE - EM1 - GEN VI**

<b>MODEL EM1 Y73-EM101</b>	<b>Cover Kit</b> (see Section 1.1.9)	<b>Chassis Kit</b> (see Section 1.1.8)	<b>Wire Harness</b> (see Section 1.1.10)
-21	1	1	1
-22	1	1	1
-23	2	1	1
-31	1	1	1
-32	1	1	1
-41	1	1	1
-42	1	1	1
-44	1	1	1
-45	1	1	1
-47	1	1	1
-61	2	1	1
-62	2	1	1
-64	2	1	1
-81	1	1	2
-83	1	1	2
-91	2	1	3
-96	1	1	1



1.1.8 EM-1, GEN-VI, 3 SPEED CHASSIS KITS Y73-EM101-00 thru -02 (COMMON PARTS): OPTION 1



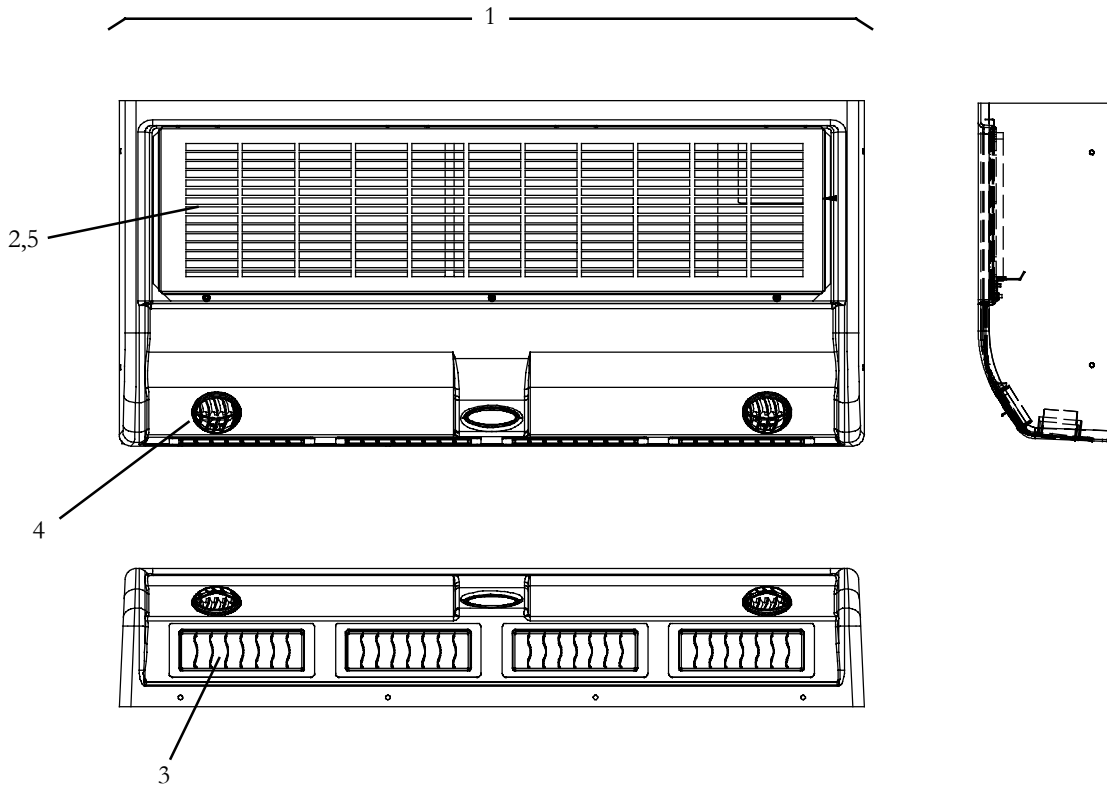
**NOTE:** See Option Table and Section 1.1.10 For Y73-EM101-00 thru -02 Wire Harnesses



<b>1.1.8 EM-1, GEN-VI, 3 SPEED CHASSIS KITS Y73-EM101-00 thru -02 (COMMON PARTS) : OPTION 1- Cont:</b>			
<b>Item</b>	<b>Part Number</b>	<b>Description</b>	<b>Qty</b>
1	08-01068-00	Coil Assembly, Evaporator	1
2	12-00685-00	Thermostat	1
3	14-00397-00	Expansion Valve	1
4	AC801-202	O-Rings, 1/2" HN BR	2
5	AC201-412	Pressure Switch, Low	1
6	Y35-00010-00	Resistor, 12 VDC, With Screw Terminals	1
7	42-62140-00	Baffle, Evaporator	1
8	54-00646-00	Blower Assembly, 12VDC, Includes:	1
9	54-00646-50	Blower Motor, 12VDC	2
10	54-00646-60	Harness, Blower Motor, 12VDC	1
11	58-62186-00	Drain Pan	1

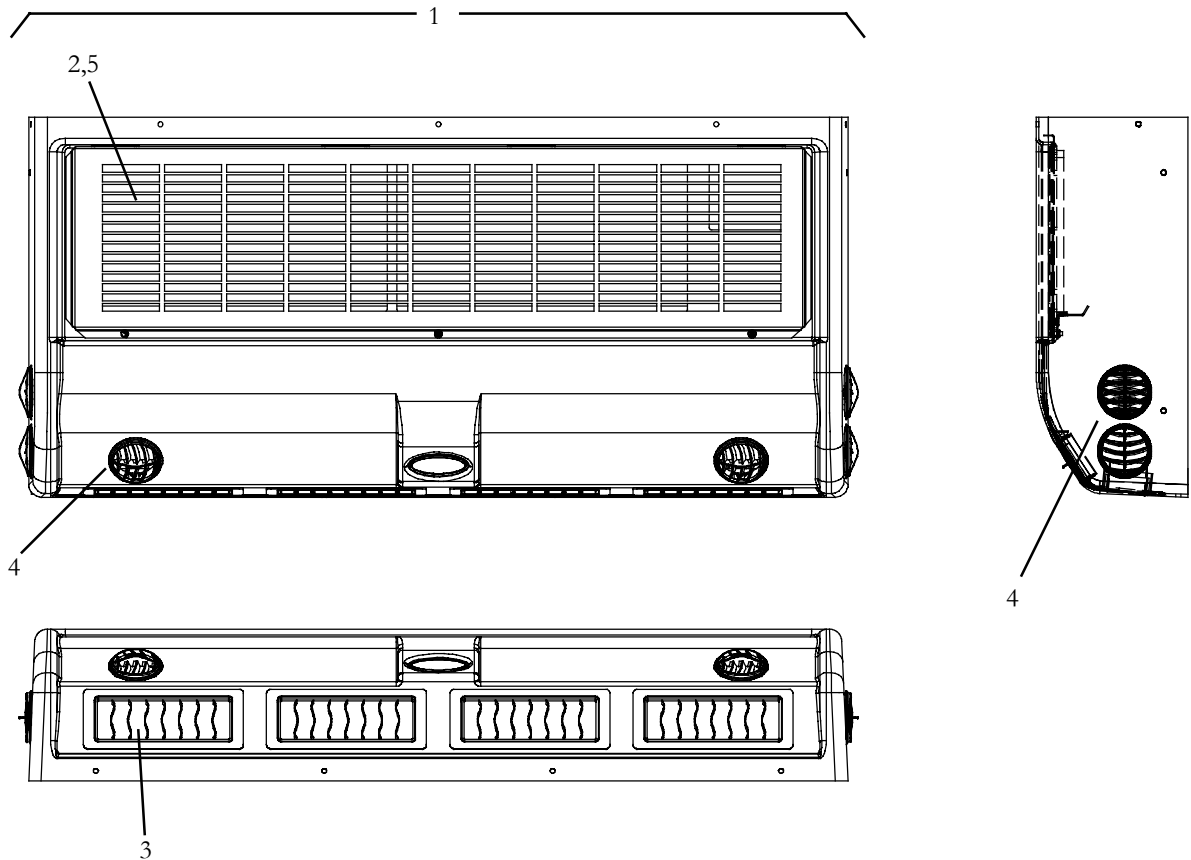


1.1.9 EM-1, GEN-VI, COVER ASSEMBLY, REAR MOUNT : OPTION 1  
(Used on MODELS Y19-EM101-21,-22,-31,-32,-41,-42,-44,-45,-47,-81,-83 & -96)



Item	Part Number	Description	Qty
1	Y28-00025-00	Cover Assembly, Gray, (used on -22,-32,-42,-44,-47,-83 & -96))	1
	Y28-00025-01	Cover Assembly, White, (used on -21,-31,-41,-45 & -81))	1
2	38-00573-01	Filter, Air	1
3	58-62042-00	Diffuser, Air, Adjustable Rectangular	4
4	Y23-00002-00	Louver, 2.5" Fixed Vane	2
5	Y24-00108-00	Grille, Return Air	1

**1.1.9 EM-1, GEN-VI, COVER ASSEMBLY, SIDE MOUNT: OPTION 2**  
 (Used on MODELS Y19-EM101-23,-61,-62,-64 & -91)



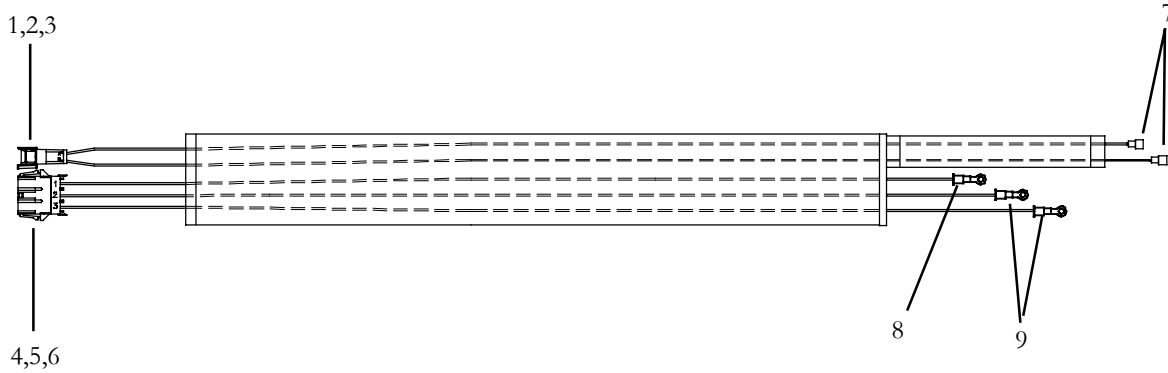
Item	Part Number	Description	Qty
1	Y28-00025-02	Cover Assembly, Gray, (used on -23,-62,-64 & -91))	1
	Y28-00025-03	Cover Assembly, White, (used on -61)	1
2	38-00573-01	Filter, Air	1
3	58-62042-00	Diffuser, Air, Adjustable Rectangular	4
4	Y23-00002-00	Louver, 2.5" Fixed Vane	6
5	Y24-00108-00	Grille, Return Air	1





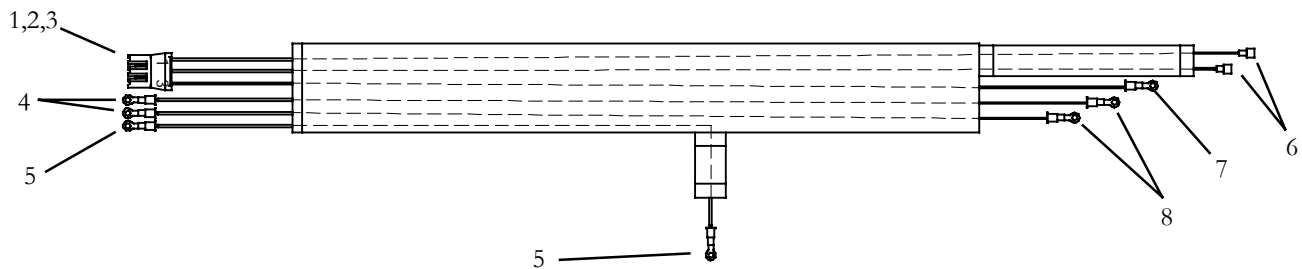
**NOTE: Complete Wire Harnesses are Non-Stock Items. Replace Components are Listed.**

**1.1.10 EM1 GEN-VI, Wire Harness 22-62303-00: OPTION 1**



Item	Part Number	Description	Qty
1	22-50099-37	Connector, Male, MP 280 Series, Unsealed	1
2	22-50099-37A	Terminal, Male, 16/18 AWG	2
3	22-50099-37D	Lock, Secondary	1
4	22-50099-32	Connector, Plug Housing, 3 Way, Molex	1
5	22-50099-32A	Terminal, Male, Molex 10/12 AWG	2
6	22-50099-32B	Terminal, Male, Molex, 8 AWG	1
7	22-02245-02	Terminal, Female, Fully Insulated, 22/18 AWG	2
8	22-02245-01	Terminal, Ring, #10 - 8 AWG	1
9	22-01140-02	Terminal, Ring, #10 - 12/10 AWG	2

**1.1.10 EM1 GEN-VI, Wire Harness 22-62303-01: OPTION 2**

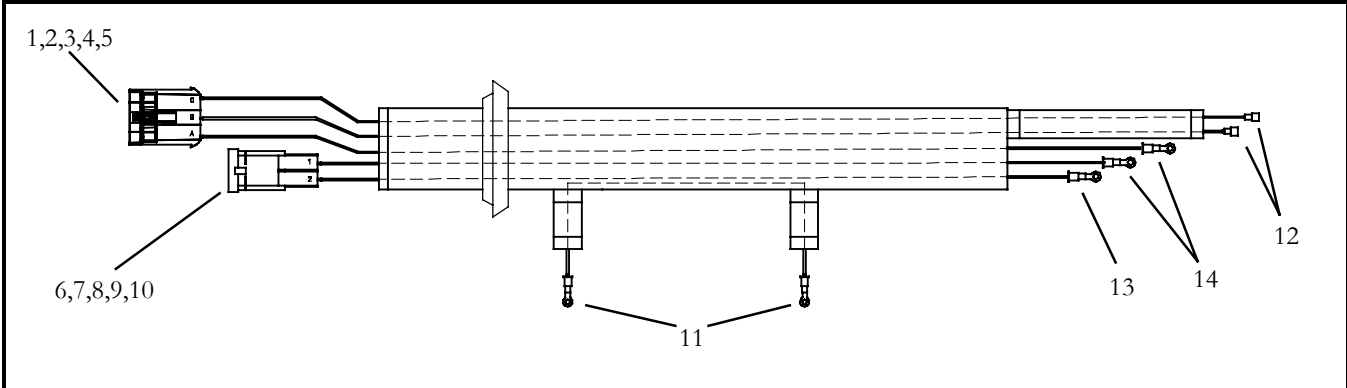


Item	Part Number	Description	Qty
1	Y31-00007-00	Connector, Female, Molex, 3 Way	1
2	Y31-00007-50	Terminal, Female, Molex, 18-20 AWG	2
3	Y31-00007-51	Terminal, Female, Molex, 14-16 AWG	1
4	22-01140-04	Terminal, Ring 3/8", 12/10 AWG	2
5	22-00872-03	Terminal, Ring 5/16", 8 AWG	2
6	22-02245-02	Terminal, Female, Fully Insulated, 22/18 AWG	2
7	22-01139-02	Terminal, Ring, #10 - 14/16 AWG	1
8	22-01140-02	Terminal, Ring, #10 - 12/10 AWG	2



**NOTE: Complete Wire Harnesses are Non-Stock Items. Replace Components are Listed.**

**1.1.10 EM1 GEN-VI, Wire Harness 22-62303-02: OPTION 3**

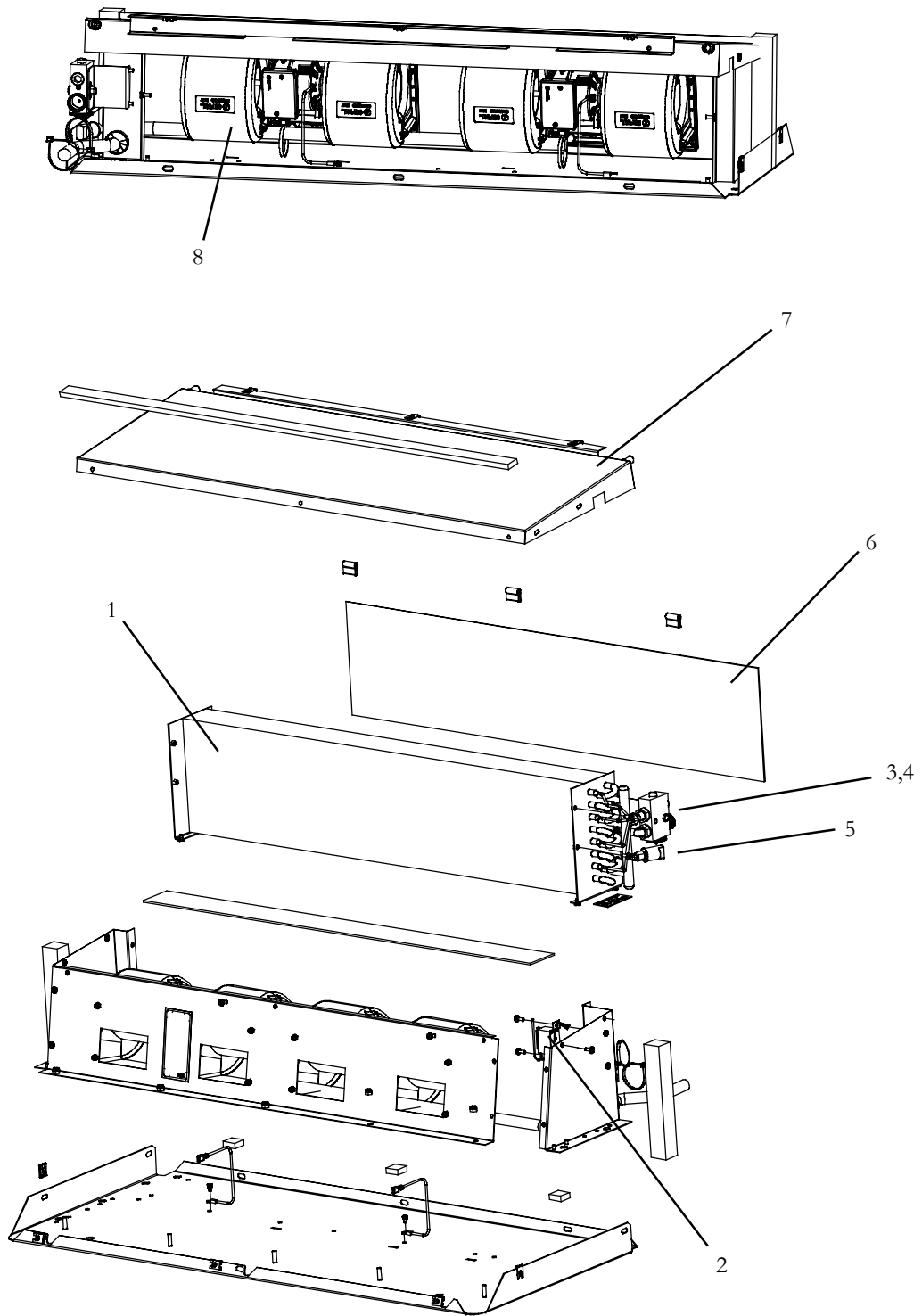


Item	Part Number	Description	Qty
1	22-50078-86	Connector, Male, M/P 630, 3 Way	1
2	22-50078-49A	Terminal, Male, 18 AWG	2
3	22-50078-49C	Terminal, Male, 12 AWG	1
4	22-50078-86B	Cable Seal	3
5	22-50078-86A	Lock, Secondary	1
6	22-50098-67	Connector, Male, Tyco, 2 Way	1
7	22-50098-67B	Terminal, Male, 8 AWG	1
8	22-50098-67A	Terminal, Male, 10/12 AWG	1
9	22-50098-67C	Cable Seal, 10/12 AWG	1
10	22-50098-67D	Cable Seal, 8 AWG	1
11	22-00872-03	Terminal, Ring 5/16", 8 AWG	2
12	22-02245-02	Terminal, Female, Fully Insulated, 22/18 AWG	1
13	22-00872-01	Terminal, Ring, #10 - 8 AWG	1
14	22-01140-02	Terminal, Ring, #10 - 12/10 AWG	2

**OPTION TABLE - EM1 - CLASSIC LINE**

<b>MODEL EM1 Y19-EM107</b>	<b>Cover Kit</b> <small>(see Section 1.1.9)</small>	<b>Chassis Kit</b> <small>(see Section 1.1.11)</small>	<b>Wire Harness</b> <small>(see Section 1.1.13)</small>
-00	-	1	1
-01	-	2	1
-21	2	1	1
-22	1	1	1
-23	2	2	1
-24	1	2	1
-30	2	1	1
-31	1	1	1
-32	2	2	1
-33	1	2	1

1.1.11 EM-1, CLASSIC LINE, 12 VDC, 3 SPEED CHASSIS KITS Y73-EM103-00 & 01 , OPTION 1 & 2

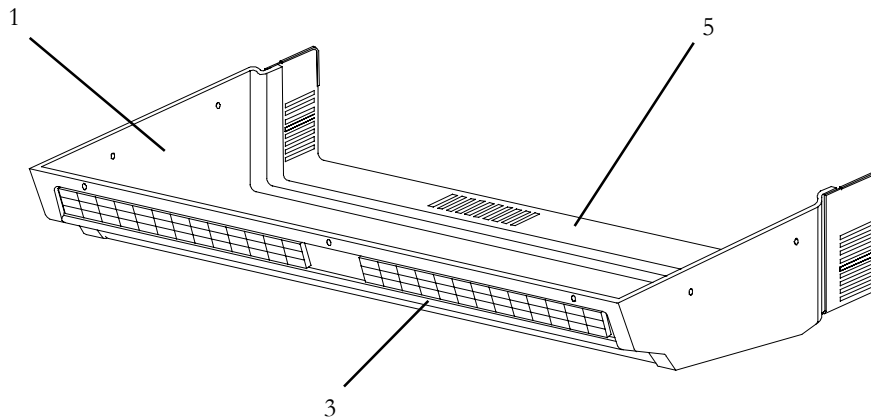




<b>1.1.11 EM-1, CLASSIC LINE, 12 VDC, 3 SPEED CHASSIS KITS Y73-EM103-00 &amp; 01, OPTION 1 &amp; 2, Cont:</b>			
<b>Item</b>	<b>Part Number</b>	<b>Description</b>	<b>Qty</b>
1	08-62060-00	Coil Assembly, Evaporator (Cool Only): <b>OPTION 1</b>	1
	08-62059-00	Coil Assembly, Evaporator (With Heat): <b>OPTION 2</b>	1
2	12-00685-00	Thermostat	1
3	14-00397-00	Expansion Valve	1
4	AC801-202	O-Rings, 1/2" HN BR	2
5	AC201-412	Pressure Switch, Low	1
6	AC801-405	Filter, Air	1
7	79-02383-00	Drain Pan Assembly	1
8	Y15-00003-00	Blower Assembly, 12VDC, w/Resistor	2



1.1.12 EM-1, CLASSIC LINE, COVER ASSEMBLY, REAR MOUNT : OPTION 1 & 2

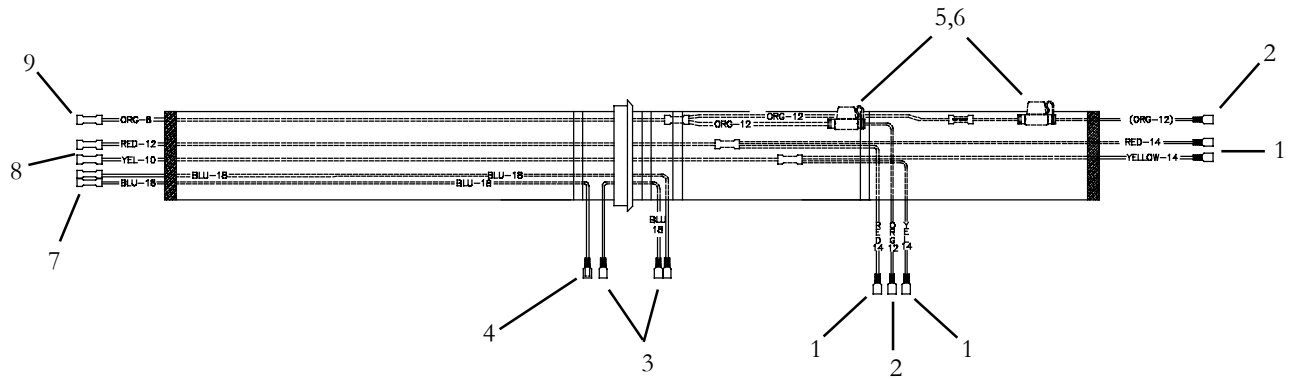


Item	Part Number	Description	Qty
1	79-62071-01	Cover Assembly, Gray, Includes: <b>OPTION 1</b>	1
	79-62071-00	Cover Assembly, White, Includes: <b>OPTION 2</b>	1
2	AC401-320	Diffuser, Air, Adjustable Rectangular	2
3	AC022-251	Grille, Return Air	1

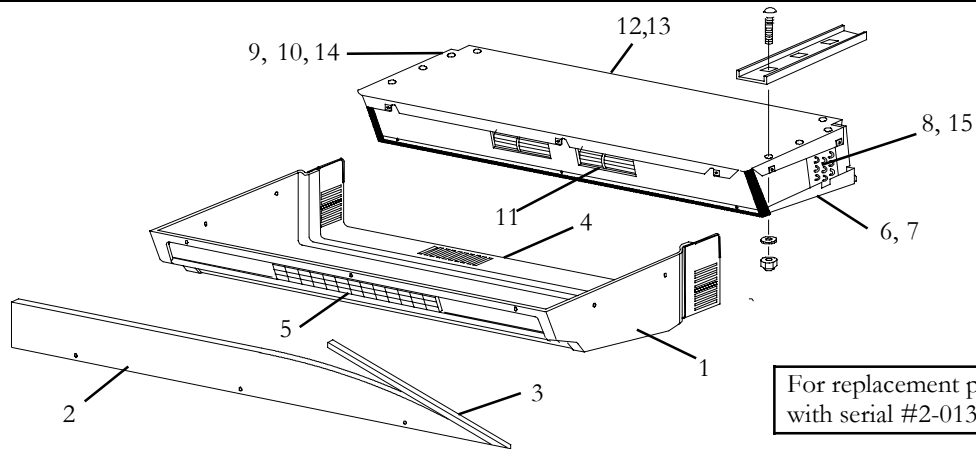
**NOTE**

**Complete Wire Harnesses are Non-Stock Items. Replacement Components are Listed.**

**1.1.13 EM1 Classic Line, 12 VDC Wire Harness Y25-00099-01, OPTION 1**



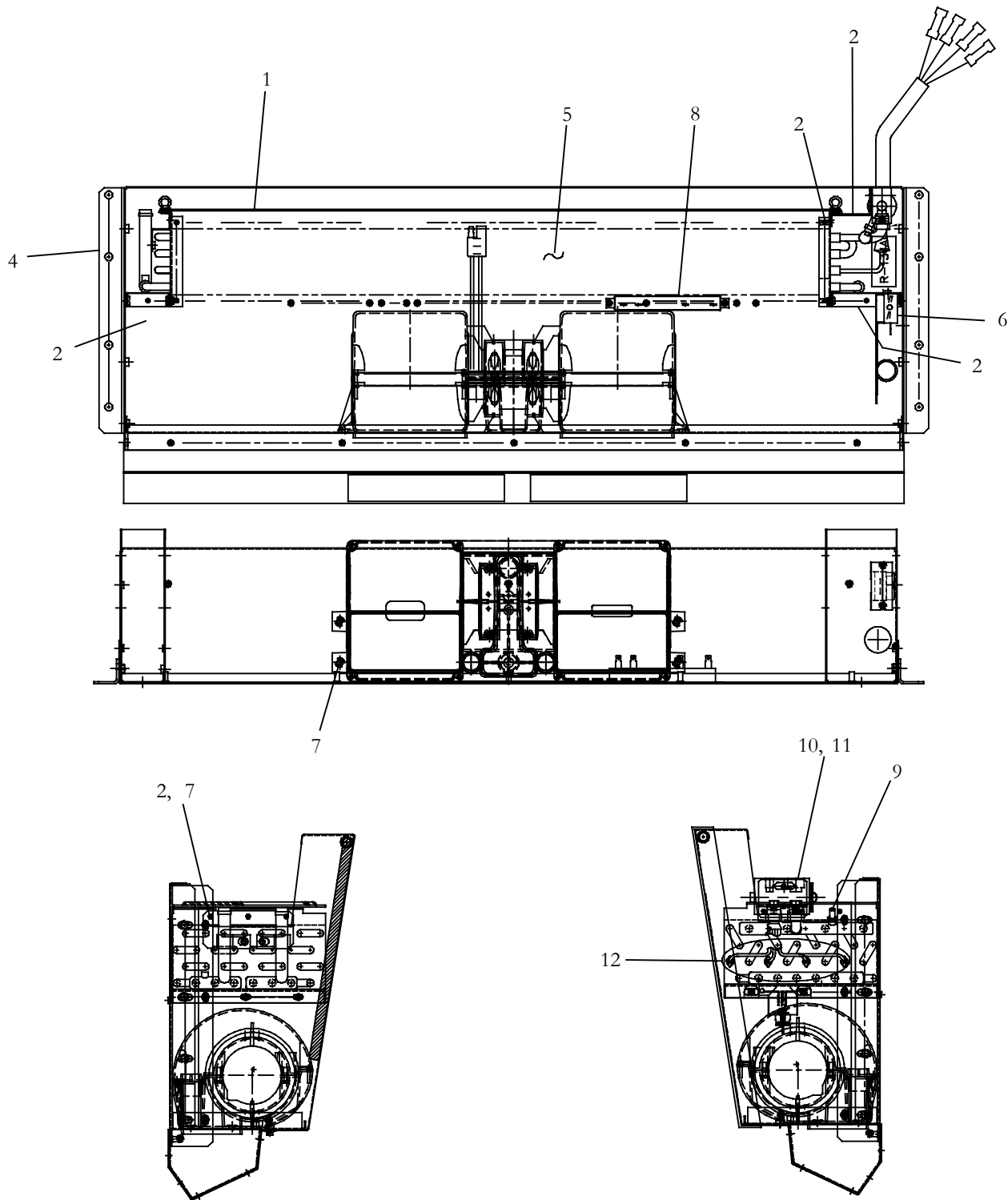
Item	Part Number	Description	Qty
1	22-01141-01	Terminal, Female, 1/4" Pushon, Insulated 16-14 AWG	4
2	22-01142-XX	Terminal, Female, 1/4" Pushon, Insulated 10-12 AWG	2
3	22-02245-02	Terminal, Female, 1/4" Pushon, Insulated 22-18 AWG	3
4	22-01502-00	Terminal, Male, 1/4" Pushon, Insulated 22-18 AWG	1
5	22-02338-07	Fuseholder, w/Cap	2
6	22-02336-26	Fuse, Mini, 25A	2
7	REF	Terminal, Butt Splice, Heat Sealable, 22-18 AWG (Molex Part # 19164-0013)	2
8	REF	Terminal, Butt Splice, Heat Sealable, 12-10 AWG (Molex Part # 19164-0056)	2
9	REF	Terminal, Butt Splice, Heat Sealable, 8 AWG (Molex Part # 19164-0079)	1
N.S.	Y30-13000-00	Nyogel	1

**SECTION 1.2 EM-2 EVAPORATORS**
**1.2.1 EVAPORATOR, EM-2, GEN 4, FREE BLOW**


Item	Part Number	Description	Qty
1	N/A	Cover Assembly, White	1
	N/A	Cover Assembly, Gray	1
	N/A	Cover Assembly, Beige	1
2	N/A	Trim Strip, Beige	1
	N/A	Trim Strip, White/Gray	1
3	AC801-412F25	Flexible Trim, Black (25 Ft. Roll)	1
4	N/A	Grill, Air Inlet, Painted (Black)	1
5	AC401-320	Louver Assembly, Air Outlet, (3 3/8 Inch X 14 3/8 Inch)	1
6	N/A	Drain Pan Assembly, (Foamed)	1
7	AC022-313	Baffle, Foam, EM-2 Drain Pan	1
8	08-62059-00	Coil Assembly, With Heat, With Low Pressure Switch Connection	1
	08-62060-00	Coil Assembly, With Low Pressure Switch Connection	1
9	14-00397-00	Thermal Expansion Valve, R134a	1
10	AC201-501	Thermostat, Freeze-Up	1
11	AC401-232	Blower, Assembly, Dual, 12 Volt	1
	AC401-233	Blower, Assembly, Dual, 24 Volt	1
12	76-62019-00	Resistor Kit, (1.8 Ohm, 4 Prong)	1
13	AC801-451	Filter, Return Air, (35 X 7 1/4 Inch)	1
14	AC801-202	O-Ring, 1/2 Inch	4
15	AC201-412	Switch, Low Pressure	1



**1.2.2 EVAPORATOR, EM-2 CHASSIS KIT WITH HEAT, GEN 4**



REF. CHASSIS KIT #77-62210-01 A



<b>1.2.2 EVAPORATOR, EM-2 CHASSIS KIT WITH HEAT, GEN 4 - Continued:</b>			
<b>Item</b>	<b>Part Number</b>	<b>Description</b>	<b>Qty</b>
1	AC801-405	Filter, Return Air (.090 Thick x 8.00 x 35.38 Inches)	1
2	AC701-401	Rivet, Pop, 3/16, Steel	11
3	AC801-412F25	Gasket, Trimlock, Black (25 Ft. Roll)	1
4	AC022-313	Baffle, Drain Pan, Foam	1
5	08-62059-00	Coil Assembly, Evaporator/Heater, With Low Pressure Switch Connection	1
6	12-00685-00	Thermostat, Freeze-Up, Non-Adjustable	1
7	54-00588-00	Fan & Motor Assembly, Evaporator, 12 VDC	1
8	76-62019-00	Resistor Kit, (1.8 Ohm, 4 Prong)	1
9	AC201-412	Switch, Pressure, Low	1
10	14-00397-00	Valve, Thermal Expansion, Block Type, R134a	1
11	AC801-202	O-Ring, 1/2 Inch, HNBR	2
12	42-00032-00	Tape, Insulation, Presstite, 2.00 x 30.00 Feet Long	1

**OPTION TABLE - EM2 - GEN V,  
12 VDC - 3 Speed**

<b>MODEL EM2 Gen V 77-62522</b>	<b>Cover Kit</b> (see Section 1.2.5)	<b>Chassis Kit</b> (see Section 1.2.3)	<b>Wire Harness</b> (see Section 1.2.4)
-00	-	1	1
-02	1	1	2
-05	1	1	1 & 5
-06	2	1	1 & 7
-07	2	1	1 & 7
-21	1	1	1 & 5
-22	1	1	1 & 5
-23	2	1	1 & 5
-31	1	1	1 & 5
-32	1	1	1 & 5
-41	1	1	1 & 5
-42	1	1	1 & 5
-44	1	1	1 & 5
-45	1	1	1 & 5
-47	1	1	1 & 5
-51	2	1	1 & 5
-52	2	1	1 & 5
-61	2	1	1 & 5
-62	2	1	1 & 5
-80	1	1	1 & 6
-81	1	1	1 & 6
-82	1	1	1 & 6
-83	1	1	1 & 6
-85	1	1	1 & 5
-90	2	1	1 & 7
-91	2	1	1 & 7
-95	1	1	1 & 5
-96	1	1	1 & 5

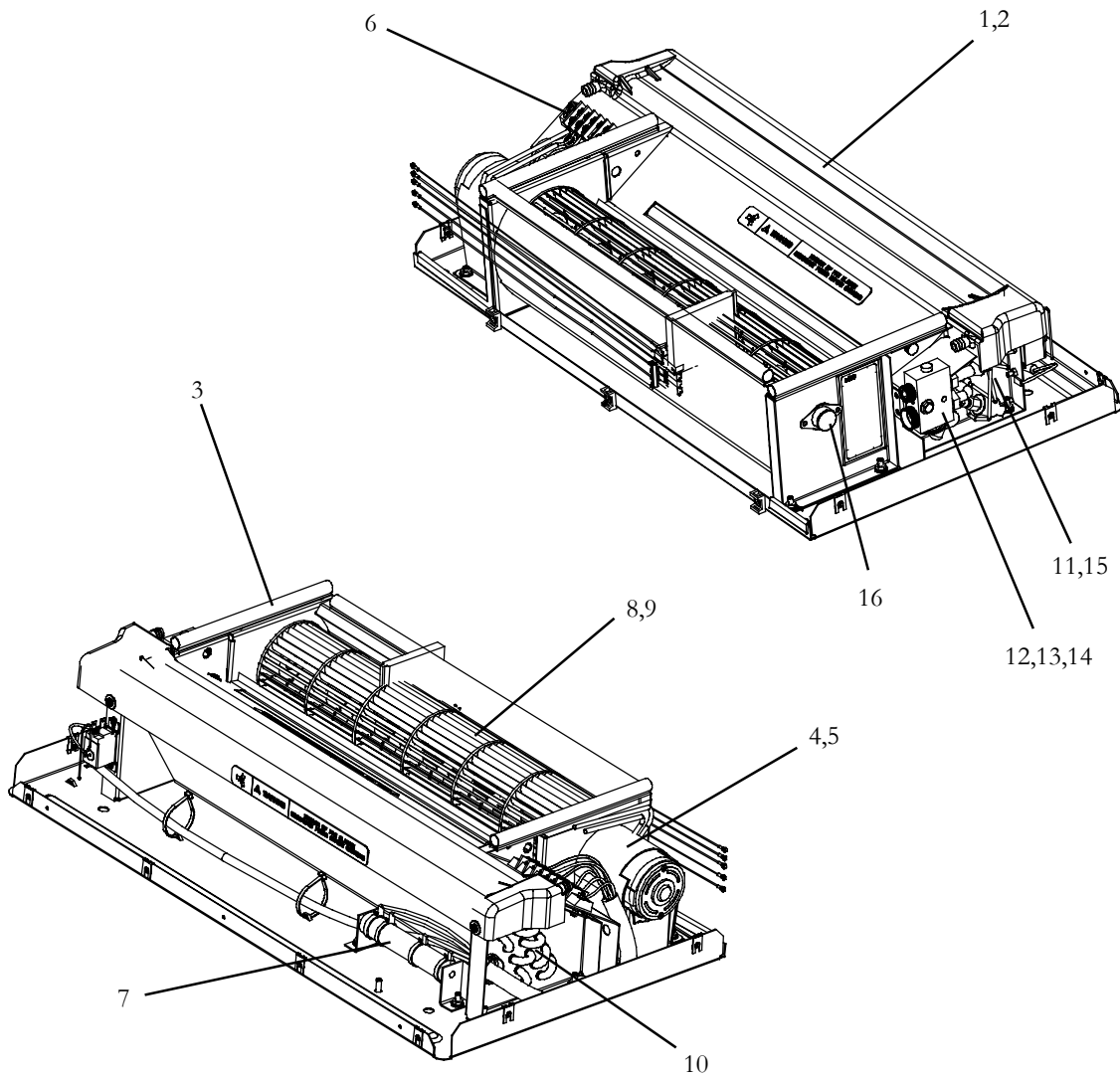
**OPTION TABLE - EM2 - GEN V  
12 VDC - Variable Speed**

<b>MODEL EM2 Gen V 77-62212</b>	<b>Cover Kit</b> (see Section 1.2.5)	<b>Chassis Kit</b> (see Section 1.2.3)	<b>Wire Harness</b> (see Section 1.2.4)
-00	-	1	2
-21	1	1	2
-22	1	1	2
-31	1	1	2
-32	1	1	2
-41	1	1	2
-42	1	1	2
-44	1	1	2
-45	1	1	2
-61	2	1	2
-62	2	1	2
-80	1	1	2
-82	1	1	2

**OPTION TABLE - EM2 - GEN V  
24 VDC - Variable Speed**

<b>MODEL EM2 Gen V 77-62224</b>	<b>Cover Kit</b> (see Section 1.2.5)	<b>Chassis Kit</b> (see Section 1.2.3)	<b>Wire Harness</b> (see Section 1.2.4)
-00	-	1	2
-41	1	1	2
-42	1	1	2
-61	2	1	2
-62	2	1	2

**1.2.3 EVAPORATOR, EM-2, GEN V (Common Parts) OPTION 1**



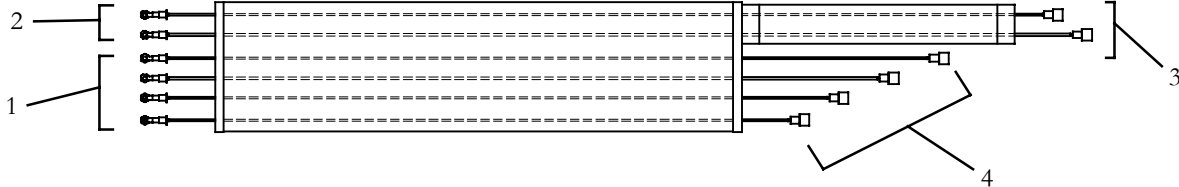
Item	Part Number	Description	Qty
1	79-62106-01	Drain Pan Assembly, EM-2 - Includes:	1
2	42-62140-01	.....Baffle, Drain Pan, Foam	1
3	58-62064-00F25	Trim Seal, 1/8 Inch Grip, (25 Foot Roll)	1
4	Y45-00005-51	Motor, Evaporator, EM-2, 12 VDC, (GEN V)	1
	22-62328-01	.....Fuse, 30A, EM-2, 12 VDC, (GEN V)	1
	Y45-00005-54	Motor, Evaporator, EM-2, 24 VDC, (GEN V)	1
	22-62328-03	.....Fuse, 20A, EM-2, 24 VDC, (GEN V)	1
5	42-62052-00	Gasket, Motor, (GEN V)	1
6	22-62141-00	Terminal Block, 7 Position, (30 Amp)	1



<b>1.2.3 EVAPORATOR, EM-2, GEN V, (Common Parts) Continued: OPTION 1</b>			
<b>Item</b>	<b>Part Number</b>	<b>Description</b>	<b>Qty</b>
7	22-62169-00	Resistor, Fan Speed, 220 Watt, .820 OHM <b>(3 Speed Application ONLY)</b>	1
8	38-00564-51	Blower Wheel, (Length: 21.90 Inches - 556.3 mm)	1
9	34-00482-05	Set Screw, Cup Point, 1/4-28, SS	1
10	08-01068-01	Coil Assembly. EM-2	1
11	AC201-412	Switch, Low Pressure	1
12	14-00397-00	Valve, Thermal Expansion	1
13	42-00032-00	Tape, Insulation, Pressite, 2.00 Inch X 30 Feet Long	1
14	AC801-202	O-Ring, 1/2 Inch	2
15	12-00685-00	Thermostat, Freeze-Up, Non Adjustable	1
16	76-62257-00	Blower Housing & Boot Repair Kit - Includes:	1

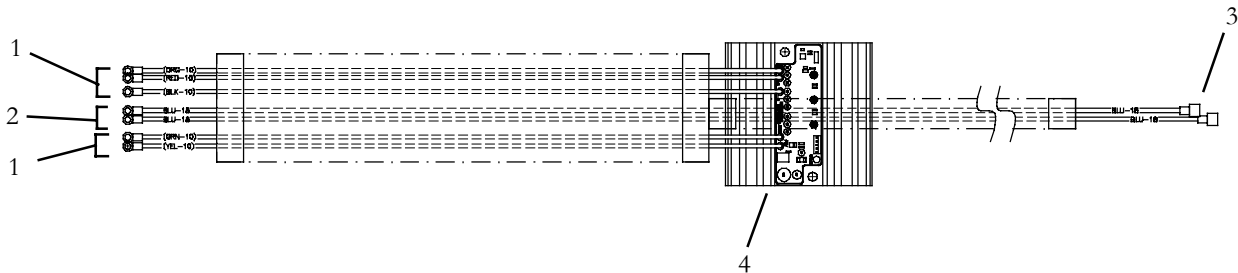
**NOTE: Complete Wire Harnesses are Non-Stock Items. Replace Components are Listed.**

**1.2.4 EM2 GEN-V, Wire Harness 22-62168-00 : OPTION 1**



Item	Part Number	Description	Qty
1	22-00119-03	Terminal Ring #10, 12/10 AWG	4
2	22-00121-27	Terminal Ring #10, 22/18 AWG	2
3	22-02245-02	Terminal, Female, Fully Insulated Faston Straight 1/4", 22/18 AWG	2/3
4	31-1247	Terminal, Female, Fully Insulated Faston Straight 1/4", 12/10 AWG	4

**1.2.4 EM2 GEN-V, Wire Harness 22-62099-00 : OPTION 2**

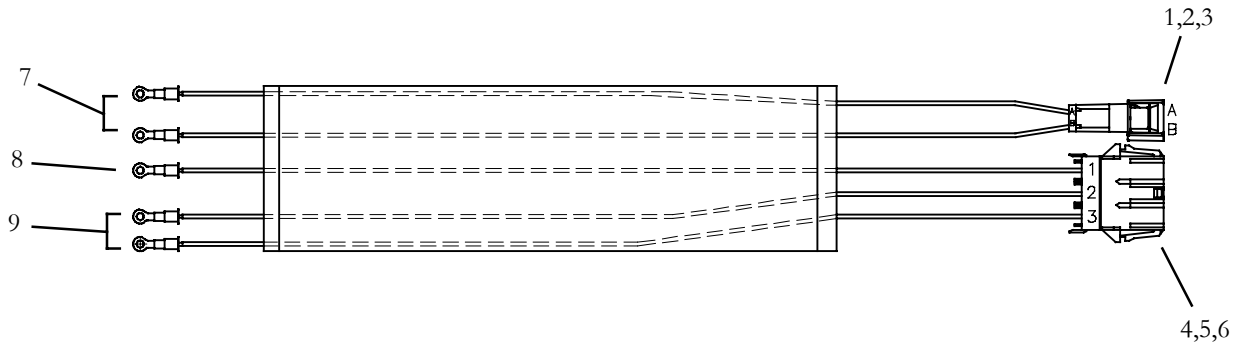


Item	Part Number	Description	Qty
1	22-01140-02	Terminal Ring #10, 12/10 AWG	5
2	22-00121-27	Terminal Ring #10, 22/18 AWG	2
3	22-02245-02	Terminal, Female, Fully Insulated Faston Straight 1/4", 22/18 AWG	2/4
4	12-00533-00	Speed Controller w/Harness	1



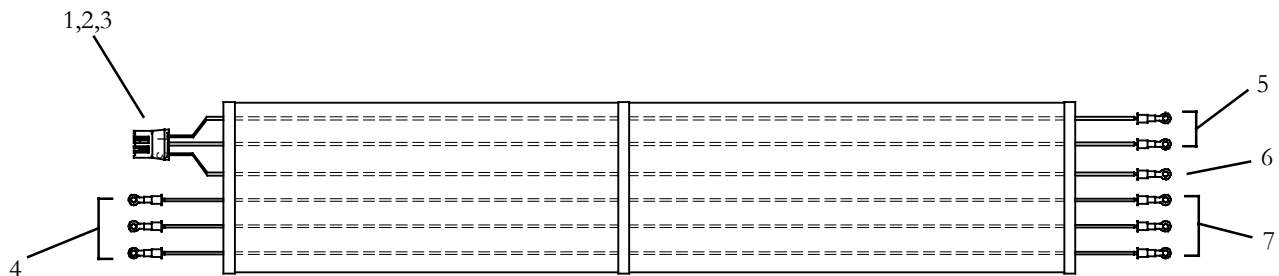
**NOTE: Complete Wire Harnesses are Non-Stock Items. Replace Components are Listed.**

**1.2.4 EM2 GEN-V, Wire Harness 22-62286-00: OPTION 3**



Item	Part Number	Description	Qty
1	22-50099-37	Connector, Male, 2 Way, MP 280 Series, Unsealed	1
2	22-50099-37A	Terminal, Male, 16/18 AWG	2
3	22-50099-37D	Lock, Secondary	1
4	22-50099-32	Connector, Plug Housing, 3 Way, Molex	1
5	22-50099-32A	Terminal, Male, Molex 10/12 AWG	2
6	22-50099-32B	Terminal, Male, Molex, 8 AWG	1
7	22-00121-27	Terminal Ring #10, 22/18 AWG	2
8	22-00119-03	Terminal Ring #10, 12/10 AWG	2
9	22-00872-01	Terminal Ring #10, 8 AWG	1

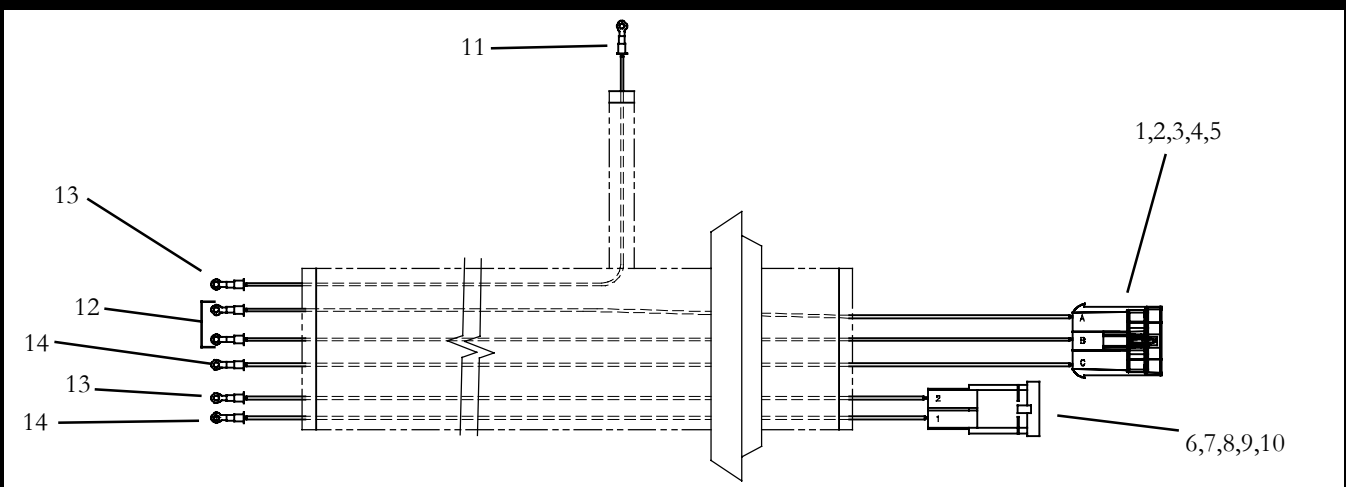
**1.2.4 EM2 GEN-V, Wire Harness 22-62261-00: OPTION 4**



Item	Part Number	Description	Qty
1	Y31-00007-00	Connector, Female, Molex, 3 Way	1
2	Y31-00007-50	Terminal, Female, Molex, 18-20 AWG	2
3	Y31-00007-51	Terminal, Female, Molex, 14-16 AWG	1
4	22-01140-04	Terminal, Ring 3/8", 12/10 AWG	3
5	22-00121-27	Terminal, Ring, #10 - 18 AWG	2
6	22-01139-02	Terminal, Ring, #10 - 14/16 AWG	1
7	22-01140-02	Terminal, Ring, #10 - 12/10 AWG	3

**NOTE: Complete Wire Harnesses are Non-Stock Items. Replace Components are Listed.**

**1.2.4 EM2 GEN-V, Wire Harnesses 22-62247-00 & 22-62204-00: OPTION 5**

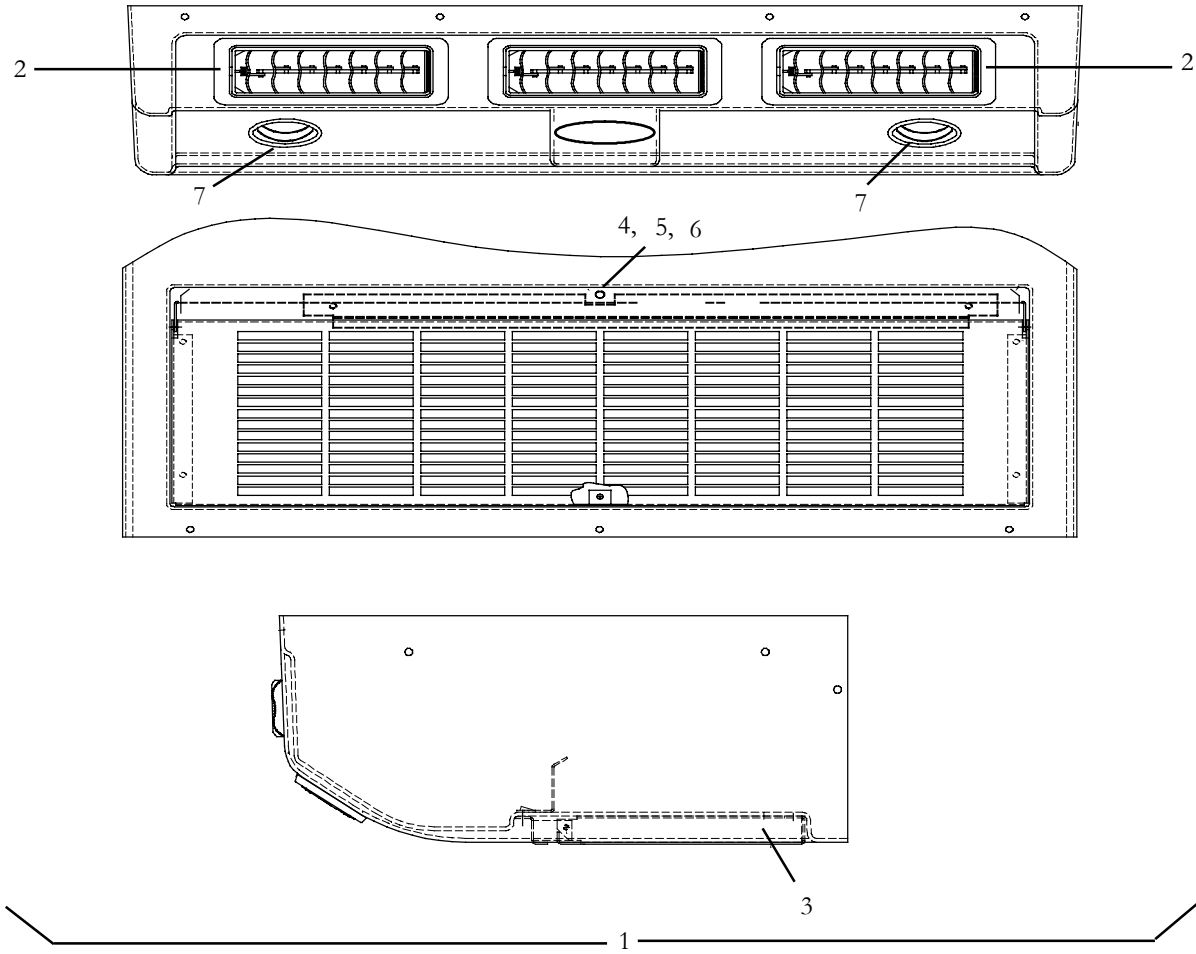


Item	Part Number	Description	Qty
1	22-50078-86	Connector, Male, M/P 630, 3 Way	1
2	22-50078-49A	Terminal, Male, 18 AWG	2
3	22-50078-49C	Terminal, Male, 12 AWG	1
4	22-50078-86B	Cable Seal	3
5	22-50078-86A	Lock, Secondary	1
6	22-50098-67	Connector, Male, Tyco, 2 Way	1
7	22-50098-67B	Terminal, Male, 8 AWG	1
8	22-50098-67A	Terminal, Male, 10/12 AWG	1
9	22-50098-67C	Cable Seal, 10/12 AWG	1
10	22-50098-67D	Cable Seal, 8 AWG	1
11	22-00872-03	Terminal, Ring 5/16", 8 AWG	2
12	22-00121-27	Terminal, Ring, #10 - 18 AWG	2
13	22-00872-01	Terminal, Ring, #10 - 8 AWG	2
14	22-00119-03	Terminal, Ring, #10 - 12/10 AWG	2





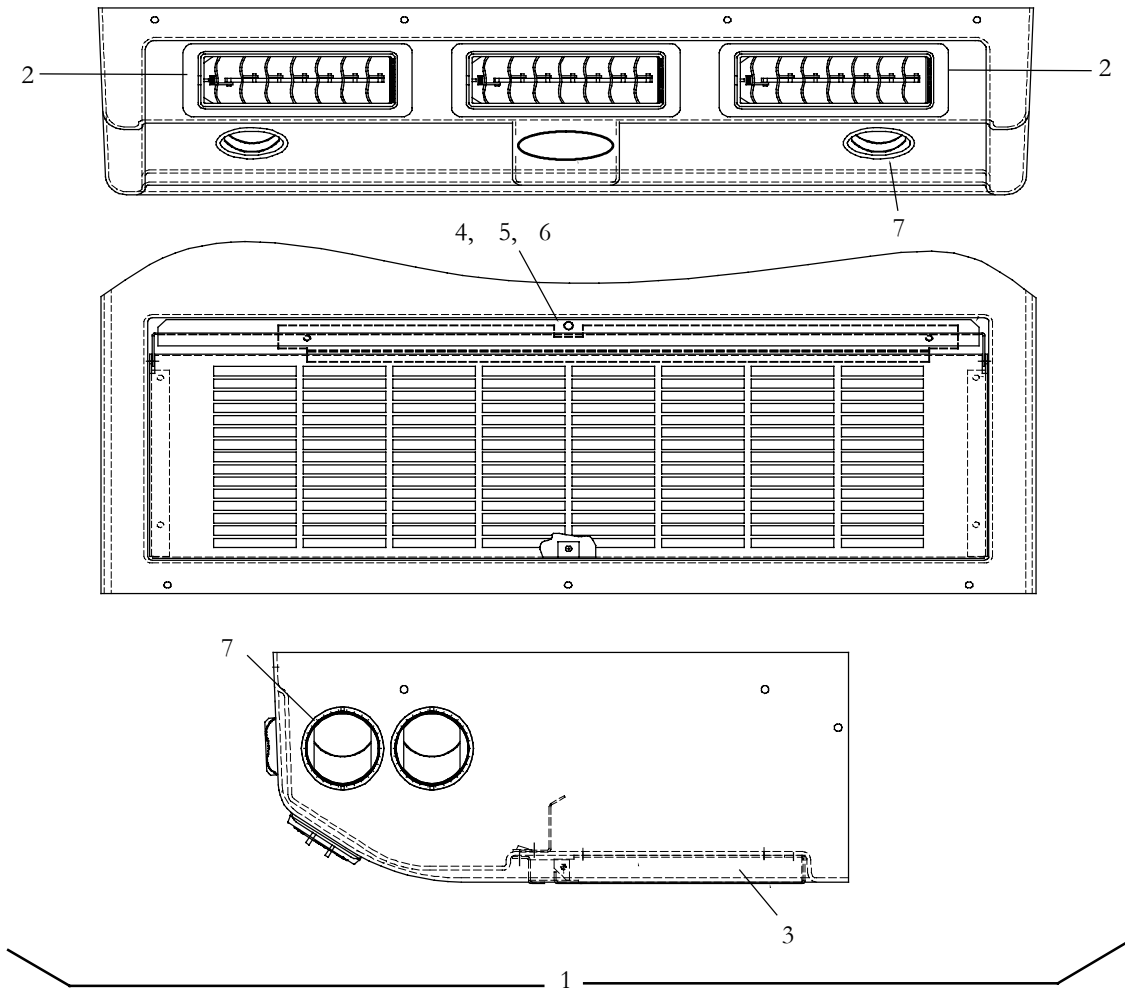
1.2.5 COVER ASSEMBLY, EM-2, GEN-V, 3 SPEED, REAR MOUNT : OPTION 1



Item	Part Number	Description	Qty
1	79-62044-01	Cover Assembly, EM-2, Complete, Rear Mount, White - Includes:	1
	79-62044-02	Cover Assembly, EM-2, Complete, Rear Mount, Gray - Includes:	1
2	58-62042-00	.....Louver, Rectangle (8.0 X 3.0 Inches)	3
3	38-00573-02	.....Filter, Air, EM-2, GenV (27.92 X 9 Inches)	1
4	34-62019-00	.....Receptacle, 1/4 Turn	1
5	34-62020-00	.....Stud, 1/4 Turn, .25 Grip Range	1
6	34-06169-01	.....Washer, Retaining, .215 I. D.	1
7	58-62077-00	.....Louver, Adjustable, 3.00 Inch (Round)	2



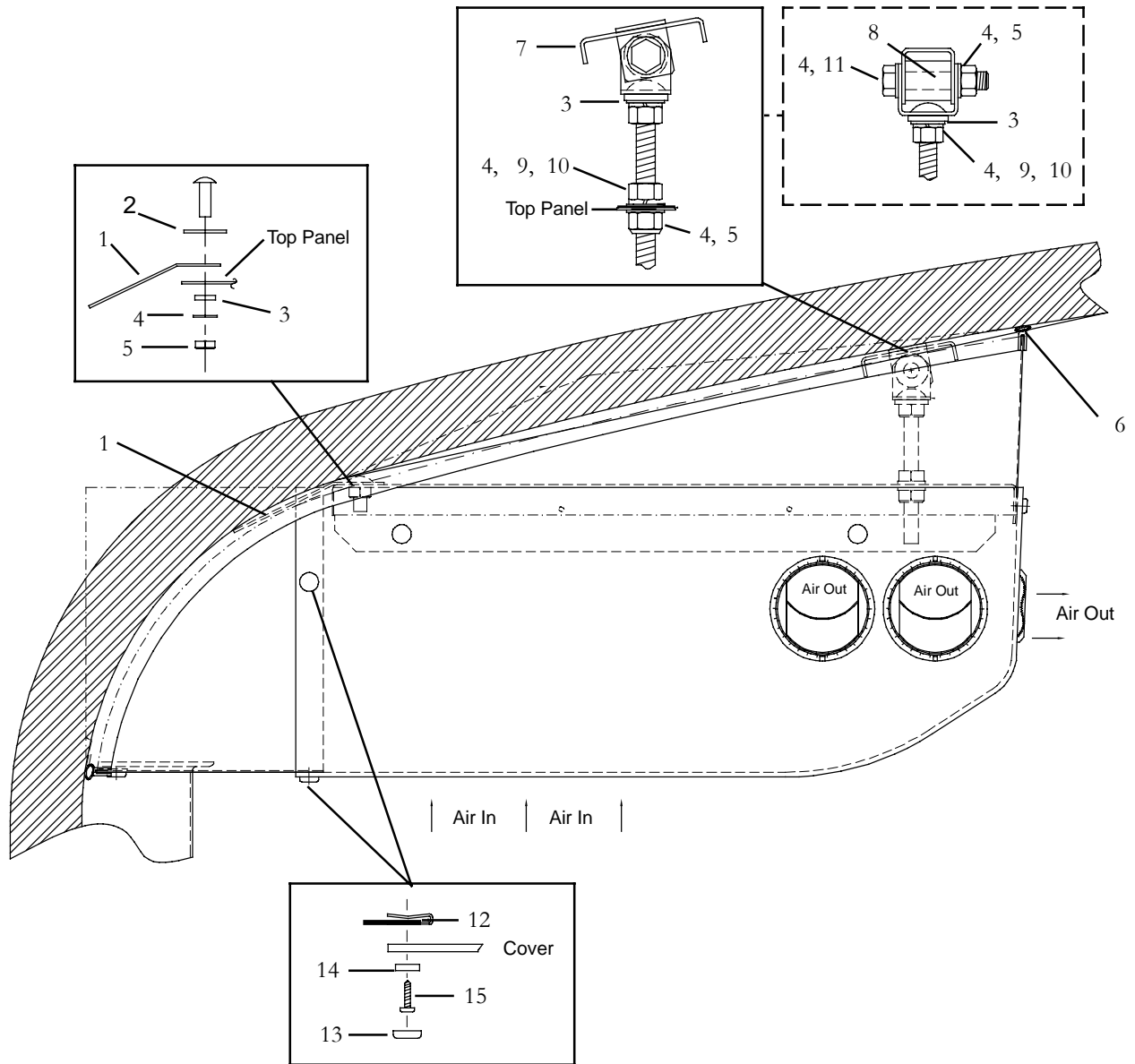
1.2.5 COVER ASSEMBLY, EM-2, GEN-V, 3 SPEED, SIDE MOUNT : OPTION 2



Item	Part Number	Description	Qty
1	79-62045-01	Cover Assembly, EM-2, Complete, Side Mount, White - Includes:	1
	79-62045-02	Cover Assembly, EM-2, Complete, Side Mount, Gray - Includes:	1
2	58-62042-00	.....Louver, Rectangle (8.0 X 3.0 Inches)	3
3	38-00573-02	.....Filter, Air, EM-2, GenV (27.92 X 9 Inches)	1
4	34-62019-00	.....Receptacle, 1/4 Turn	1
5	34-62020-00	.....Stud, 1/4 Turn, .25 Grip Range	1
6	34-06169-01	.....Washer, Retaining, .215 I. D.	1
7	58-62077-00	.....Louver, Adjustable, 3.00 Inch (Round)	6



1.2.6 INSTALLATION COMPONENTS, EM-2, GEN-V, SIDE MOUNT



Item	Part Number	Description	Qty
1	68-63878-00	Rear Hanger, Side Mount	1
2	68-63874-00	Plate, Washer	2
3	AC601-602	Spacer, Steel, 7/8 OD X 1/2 ID X 1/8 Inch Long	2
4	NSI	Washer, Flat, 3/8 Inch, Zinc Plated	8
5	NSI	Nut, Hex, Lock, 3/8-16, Zinc Plated	6
6	AC801-12F25	Gasket, Trimlock, Black (25 Ft. Roll)	1
7	NSI	Bracket, Weld Assembly, Front Hanger	1
8	AC601-616	Spacer, Steel, 7/8 OD X 1/2 ID X 1 Inch Long	2
9	NSI	Washer, Split Lock, 3/8 Inch, Zinc Plated	6
10	NSI	Nut, Hex, 3/8-16, Zinc Plated	4



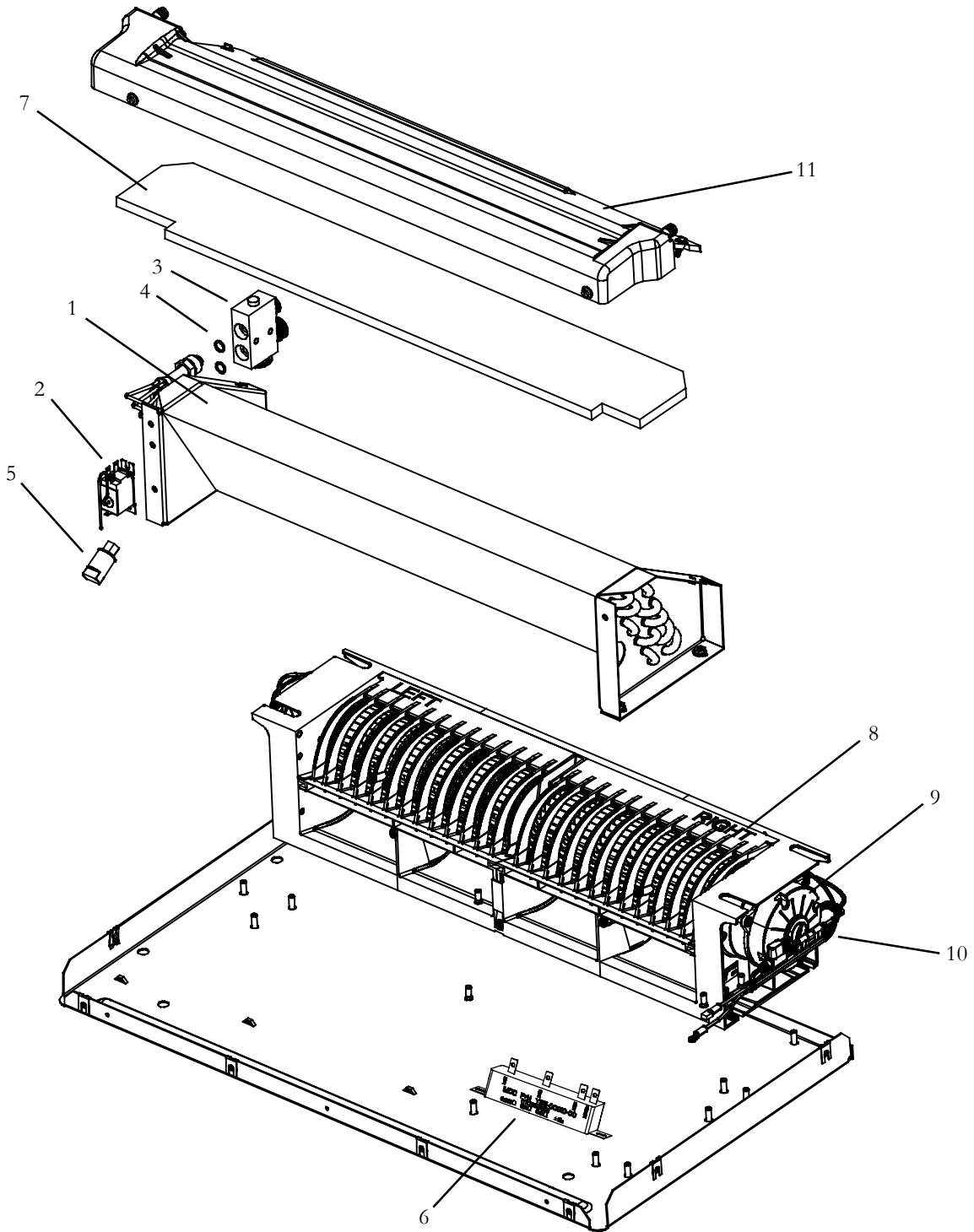
1.2.6 INSTALLATION COMPONENTS, EM-2, GEN-V, SIDE MOUNT - Continued:			
Item	Part Number	Description	Qty
11	AC701-123	Tinnerman Clip, Hi Torque, #10 AB	8
12	AC801-531	Cap, Snap, White	8
	AC801-532	Cap, Snap, Gray	8
13	AC801-529	Washer, Snap Cap	8
14	NSI	Screw, Pan Head Phillips, #10 X 5/8 Inch, AB, Black	8

**OPTION TABLE - EM2 - GEN VI**

<b>MODEL EM2 Y73-EM201</b>	<b>Cover Kit</b> (See Section 1.2.8)	<b>Chassis Kit</b> (See Section 1.2.7)	<b>Wire Harness</b> (See Section 1.2.9)
-21	1	1	1
-22	1	1	1
-23	2	1	1
-31	1	1	1
-32	1	1	1
-41	1	1	1
-42	1	1	1
-44	1	1	1
-45	1	1	1
-47	1	1	1
-51	2	1	1
-52	2	1	1
-61	2	1	1
-62	2	1	1
-80	1	1	2
-81	1	1	2
-82	1	1	2
-83	1	1	2
-85	1	1	1
-91	2	1	3
-95	1	1	1
-96	1	1	1



1.2.7 EM-2, GEN-VI, 3 SPEED CHASSIS KITS Y73-EM201-00 thru -02 (COMMON PARTS): OPTION 1



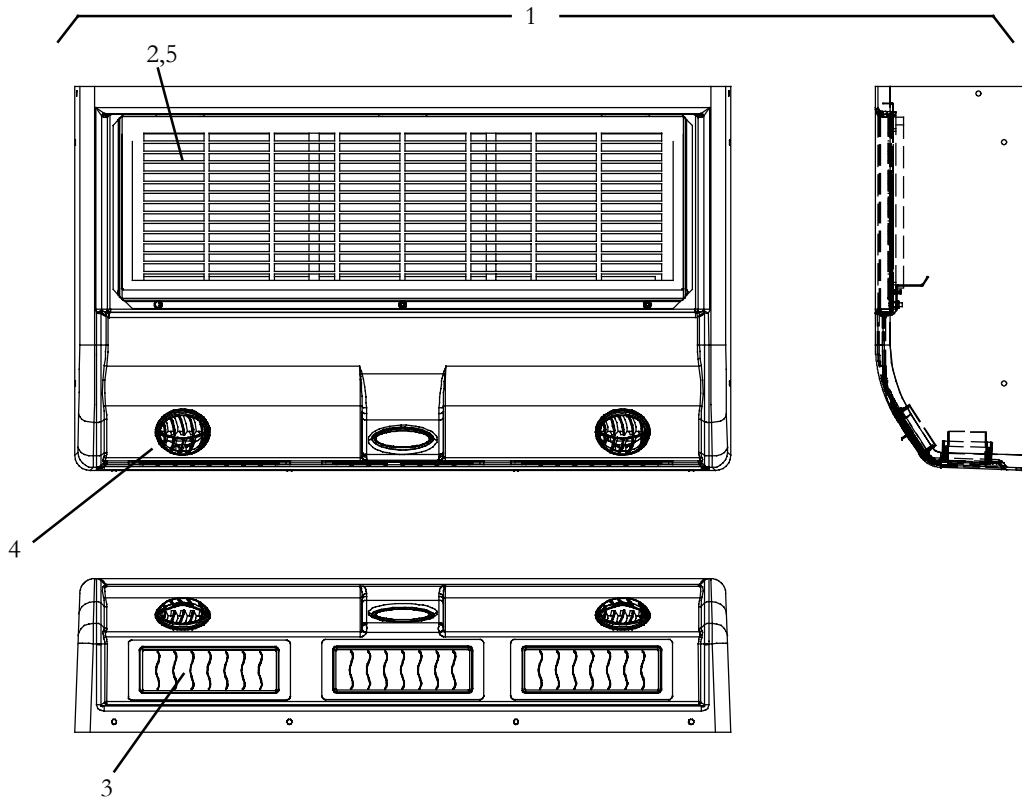
**NOTE:** See Option Table and Section 1.2.10 For Y73-EM201-00 thru -02 Wire Harnesses



<b>1.2.7 EM-2, GEN-VI, 3 SPEED CHASSIS KITS Y73-EM201-00 thru -02 (COMMON PARTS) : OPTION 1- Cont:</b>			
<b>Item</b>	<b>Part Number</b>	<b>Description</b>	<b>Qty</b>
1	08-01068-01	Coil Assembly, Evaporator	1
2	12-00685-00	Thermostat	1
3	14-00397-00	Expansion Valve	1
4	AC801-202	O-Rings, 1/2" HN BR	2
5	AC201-412	Pressure Switch, Low	1
6	Y35-00010-00	Resistor, 12 VDC, With Screw Terminals	1
7	42-62140-01	Baffle, Evaporator	1
8	54-00646-01	Blower Assembly, 12VDC, Includes:	1
9	54-00646-50	Blower Motor, 12VDC	2
10	54-00646-61	Harness, Blower Motor, 12VDC	2
11	58-62186-01	Drain Pan	1



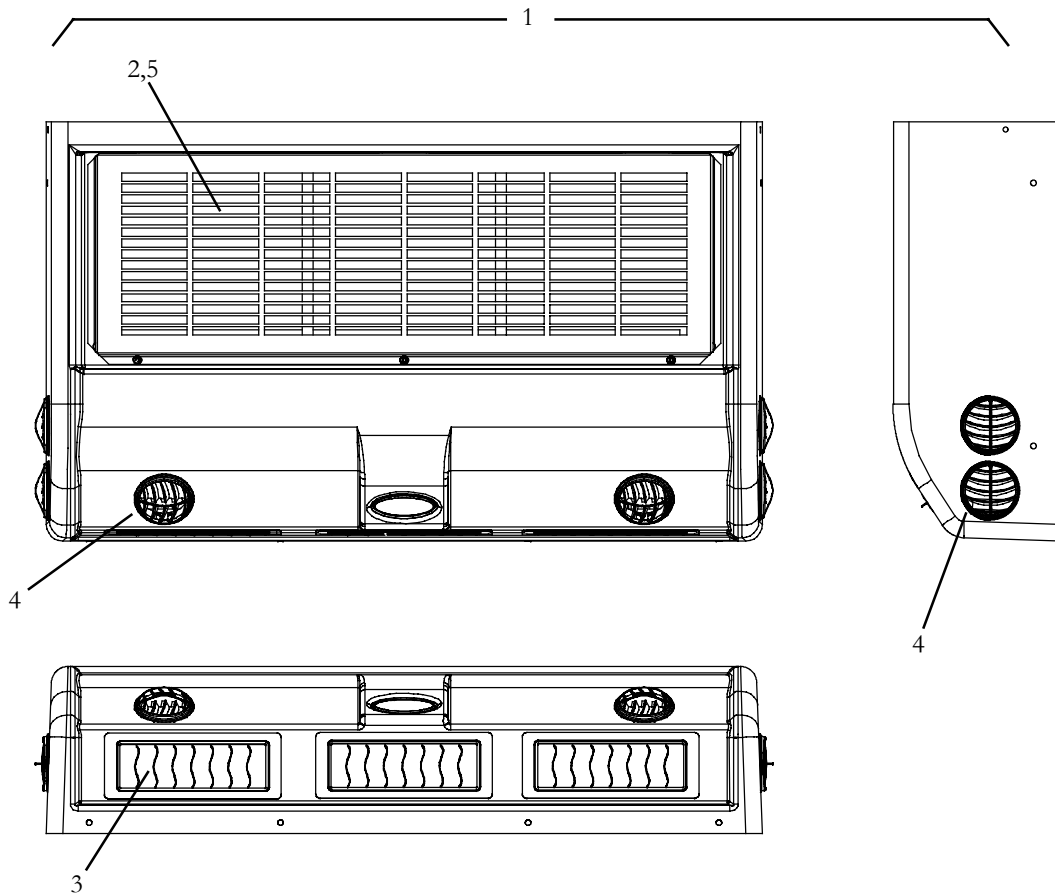
1.2.8 EM-2, GEN-VI, COVER ASSEMBLY, REAR MOUNT : OPTION 1  
(Used on MODELS Y19-EM101-21,-22,-31,-32,-41,-42,-44,-45,-47,-80,-81,-82,-83,-85,-95 & -96)



Item	Part Number	Description	Qty
1	Y28-00026-00	Cover Assembly, Gray, (used on -22,-32,-42,-44,-47,-83 & -96))	1
	Y28-00026-01	Cover Assembly, White, (used on -21,-31,-41,-45 & -81))	1
2	38-00573-02	Filter, Air	1
3	58-62042-00	Diffuser, Air, Adjustable Rectangular	3
4	Y23-00002-00	Louver, 2.5" Fixed Vane	2
5	Y24-00109-00	Grille, Return Air	1



**1.2.9 EM-2, GEN-VI, COVER ASSEMBLY, SIDE MOUNT: OPTION 2**  
 (Used on MODELS Y19-EM201-23,-51,-52,-61,-62, & -91)

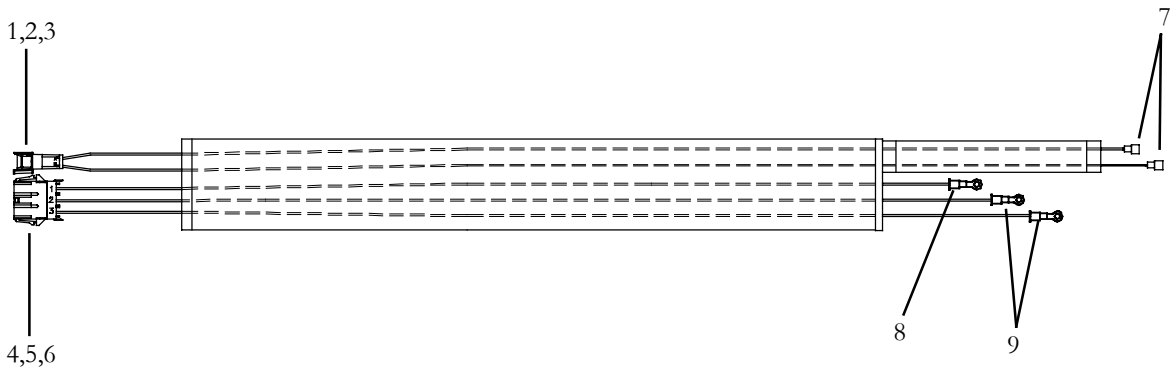


Item	Part Number	Description	Qty
1	Y28-00026-02	Cover Assembly, Gray, (used on -23,-62,-64 & -91)	1
	Y28-00026-03	Cover Assembly, White, (used on -61)	1
2	38-00573-02	Filter, Air	1
3	58-62042-00	Diffuser, Air, Adjustable Rectangular	3
4	Y23-00002-00	Louver, 2.5" Fixed Vane	6
5	Y24-00109-00	Grille, Return Air	1



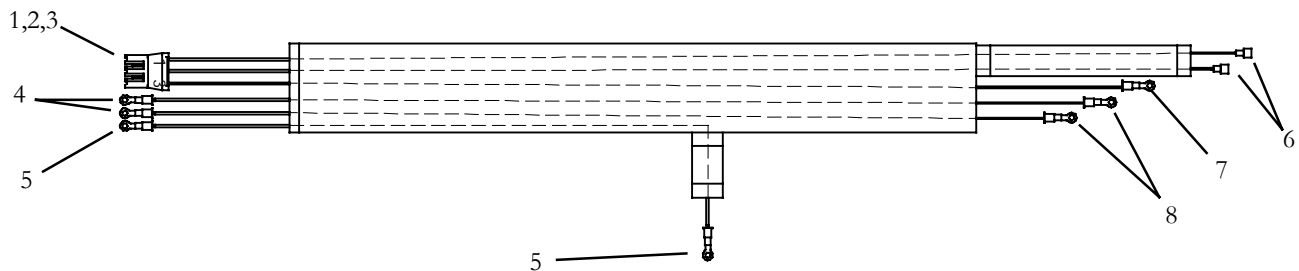
**NOTE: Complete Wire Harnesses are Non-Stock Items. Replace Components are Listed.**

**1.2.10 EM2 GEN-VI, Wire Harness 22-62303-00: OPTION 1**



Item	Part Number	Description	Qty
1	22-50099-37	Connector, Male, MP 280 Series, Unsealed	1
2	22-50099-37A	Terminal, Male, 16/18 AWG	2
3	22-50099-37D	Lock, Secondary	1
4	22-50099-32	Connector, Plug Housing, 3 Way, Molex	1
5	22-50099-32A	Terminal, Male, Molex 10/12 AWG	2
6	22-50099-32B	Terminal, Male, Molex, 8 AWG	1
7	22-02245-02	Terminal, Female, Fully Insulated, 22/18 AWG	2
8	22-02245-01	Terminal, Ring, #10 - 8 AWG	1
9	22-01140-02	Terminal, Ring, #10 - 12/10 AWG	2

**1.2.10 EM2 GEN-VI, Wire Harness 22-62303-01: OPTION 2**

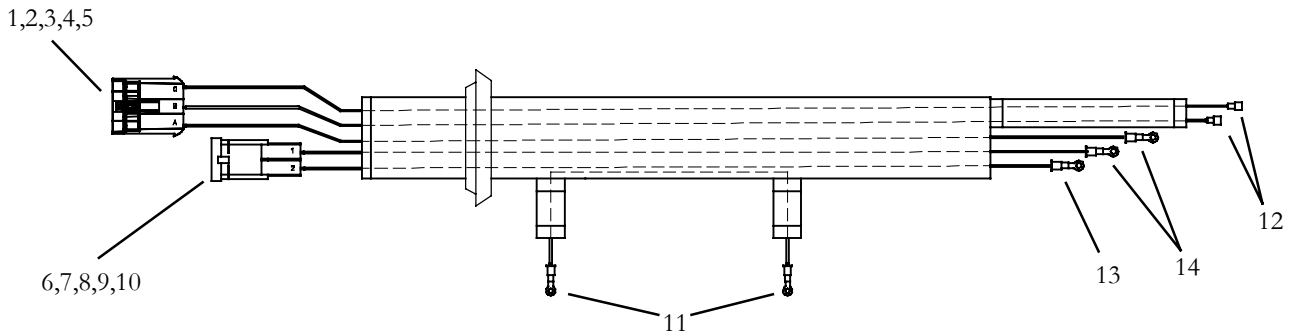


Item	Part Number	Description	Qty
1	Y31-00007-00	Connector, Female, Molex, 3 Way	1
2	Y31-00007-50	Terminal, Female, Molex, 18-20 AWG	2
3	Y31-00007-51	Terminal, Female, Molex, 14-16 AWG	1
4	22-01140-04	Terminal, Ring 3/8", 12/10 AWG	2
5	22-00872-03	Terminal, Ring 5/16", 8 AWG	2
6	22-02245-02	Terminal, Female, Fully Insulated, 22/18 AWG	2
7	22-01139-02	Terminal, Ring, #10 - 14/16 AWG	1
8	22-01140-02	Terminal, Ring, #10 - 12/10 AWG	2



**NOTE: Complete Wire Harnesses are Non-Stock Items. Replace Components are Listed.**

**1.2.10 EM2 GEN-VI, Wire Harness 22-62303-02: OPTION 3**

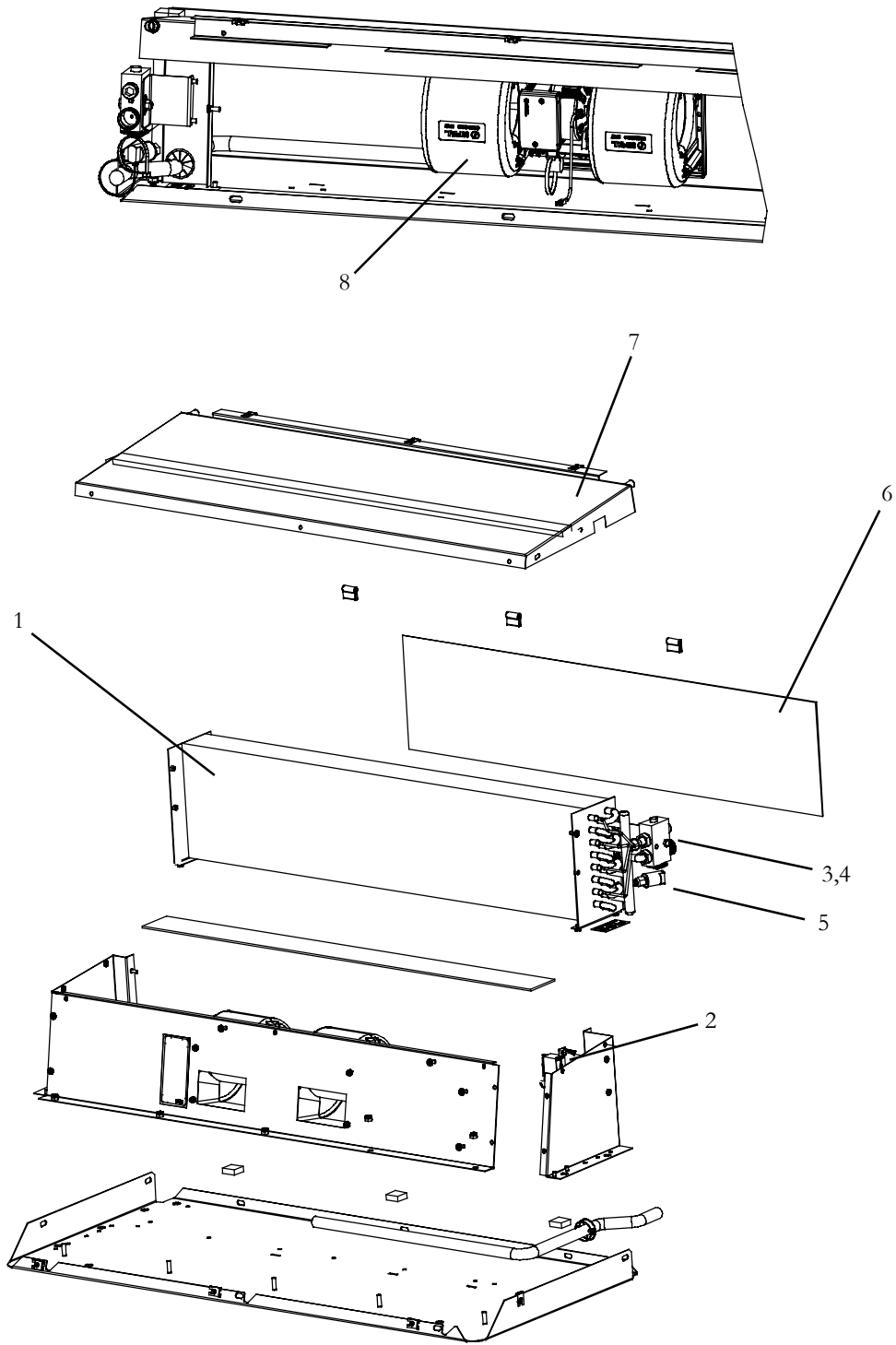


Item	Part Number	Description	Qty
1	22-50078-86	Connector, Male, M/P 630, 3 Way	1
2	22-50078-49A	Terminal, Male, 18 AWG	2
3	22-50078-49C	Terminal, Male, 12 AWG	1
4	22-50078-86B	Cable Seal	3
5	22-50078-86A	Lock, Secondary	1
6	22-50098-67	Connector, Male, Tyco, 2 Way	1
7	22-50098-67B	Terminal, Male, 8 AWG	1
8	22-50098-67A	Terminal, Male, 10/12 AWG	1
9	22-50098-67C	Cable Seal, 10/12 AWG	1
10	22-50098-67D	Cable Seal, 8 AWG	1
11	22-00872-03	Terminal, Ring 5/16", 8 AWG	2
12	22-02245-02	Terminal, Female, Fully Insulated, 22/18 AWG	1
13	22-00872-01	Terminal, Ring, #10 - 8 AWG	1
14	22-01140-02	Terminal, Ring, #10 - 12/10 AWG	2

**OPTION TABLE - EM2 - CLASSIC LINE**

<b>MODEL EM2 Y19-EM207</b>	<b>Cover Kit</b> (See Section 1.2.12)	<b>Chassis Kit</b> (See Section 1.2.11)	<b>Wire Harness</b> (See Section 1.2.13)
-00	-	1	1
-01	-	2	1
-21	2	1	1
-22	1	1	1
-23	2	2	1
-24	1	2	1
-30	2	1	1
-31	1	1	1
-32	2	2	1
-33	1	2	1

1.2.11 EM-2, CLASSIC LINE, 12VDC, 3 SPEED CHASSIS KITS Y73-EM203-00 & -01, OPTION 1 & 2

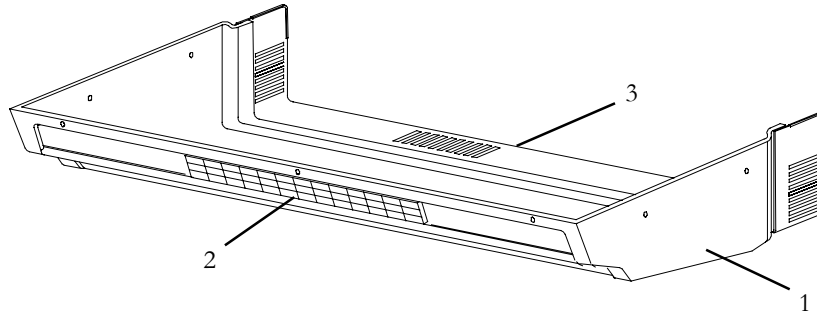




<b>1.2.11 EM-2, CLASSIC LINE, 12VDC, 3 SPEED CHASSIS KITS Y73-EM207-00 &amp; -01, OPTION 1 &amp; 2, Cont.</b>			
<b>Item</b>	<b>Part Number</b>	<b>Description</b>	<b>Qty</b>
1	08-01068-01	Coil Assembly, Evaporator	1
	08-01068-01	Coil Assembly, Evaporator	1
2	12-00685-00	Thermostat	1
3	14-00397-00	Expansion Valve	1
4	AC801-202	O-Rings, 1/2" HN BR	2
5	AC201-412	Pressure Switch, Low	1
6	AC801-405	Filter, Air	1
7	79-02383-00	Drain Pan Assembly	1
8	Y15-00003-00	Blower Assembly, 12VDC, w/Resistor	2



1.2.12 EM-2, CLASSIC LINE, COVER ASSEMBLY, REAR MOUNT : OPTION 1 & 2

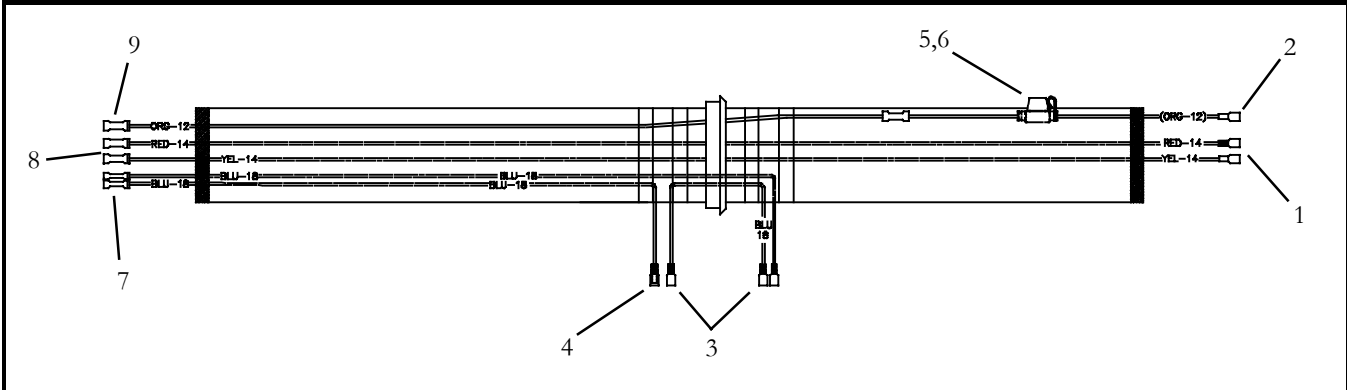


Item	Part Number	Description	Qty
1	79-62072-01	Cover Assembly, Gray, Includes: <b>OPTION 1</b>	1
	79-62072-00	Cover Assembly, White, Includes: <b>OPTION 2</b>	1
2	AC401-320	Diffuser, Air, Adjustable Rectangular	1
3	AC022-251	Grille, Return Air	1

**NOTE**

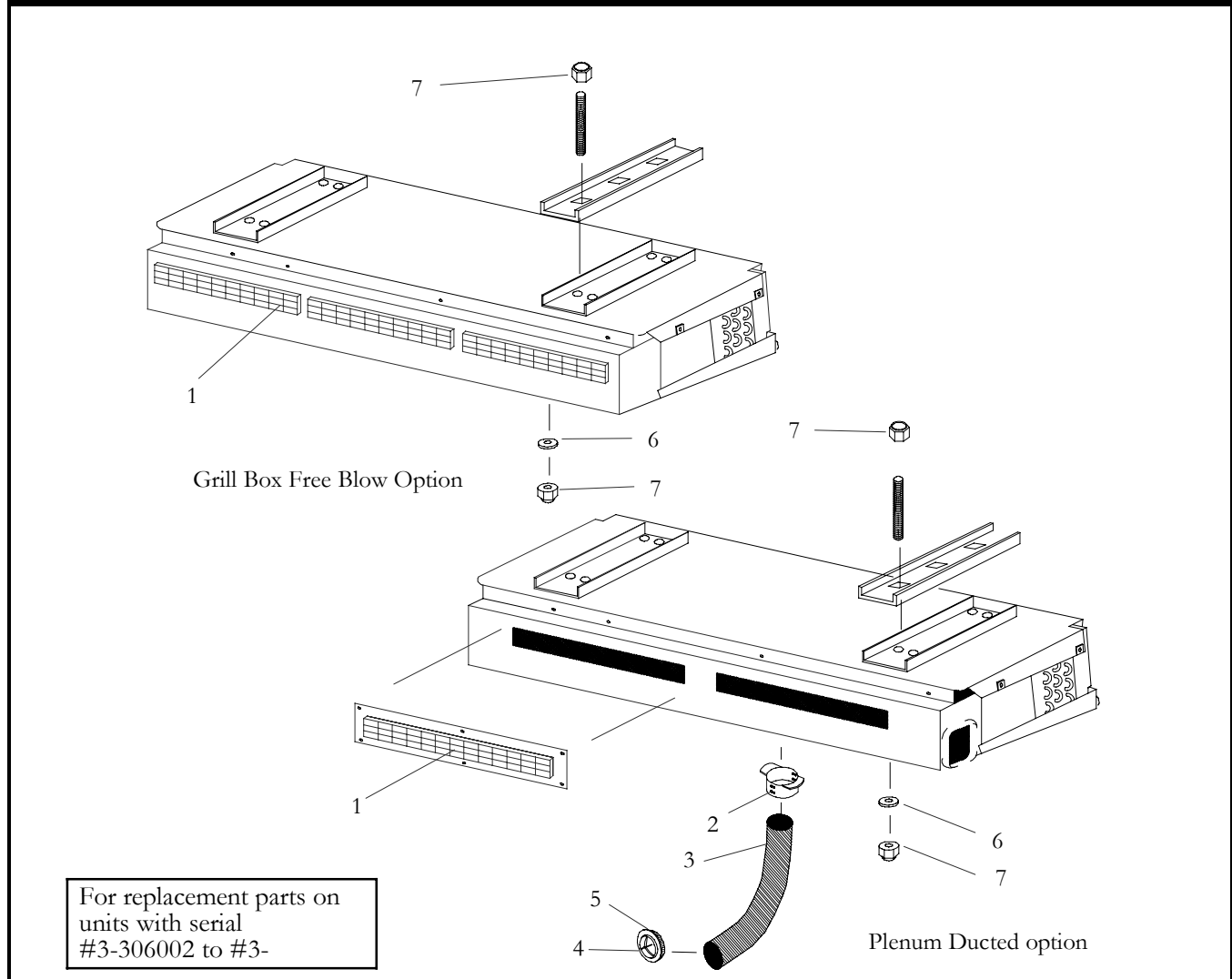
**Complete Wire Harnesses are Non-Stock Items. Replacement Components are Listed.**

**1.2.13 EM2 CLASSIC LINE, WIRE HARNESS Y25-00102-01, OPTION 1**



Item	Part Number	Description	Qty
1	22-01141-01	Terminal, Female, 1/4" Pushon, Insulated 16-14 AWG	2
2	22-01142-XX	Terminal, Female, 1/4" Pushon, Insulated 10-12 AWG	1
3	22-02245-02	Terminal, Female, 1/4" Pushon, Insulated 22-18 AWG	3
4	22-01502-00	Terminal, Male, 1/4" Pushon, Insulated 22-18 AWG	1
5	22-02338-07	Fuseholder, w/Cap	1
6	22-02336-26	Fuse, Mini, 25A	1
7	REF	Terminal, Butt Splice, Heat Sealable, 22-18 AWG (Molex Part # 19164-0013)	2
8	REF	Terminal, Butt Stepdown, Heat Sealable, 16-14/12-10 AWG (Molex Part # 19164-0077)	2
9	REF	Terminal, Butt Stepdown, Heat Sealable, 12-10/8 AWG (Waytec Part # 38253)	1
N.S.	Y30-13000-00	Nyogel	1

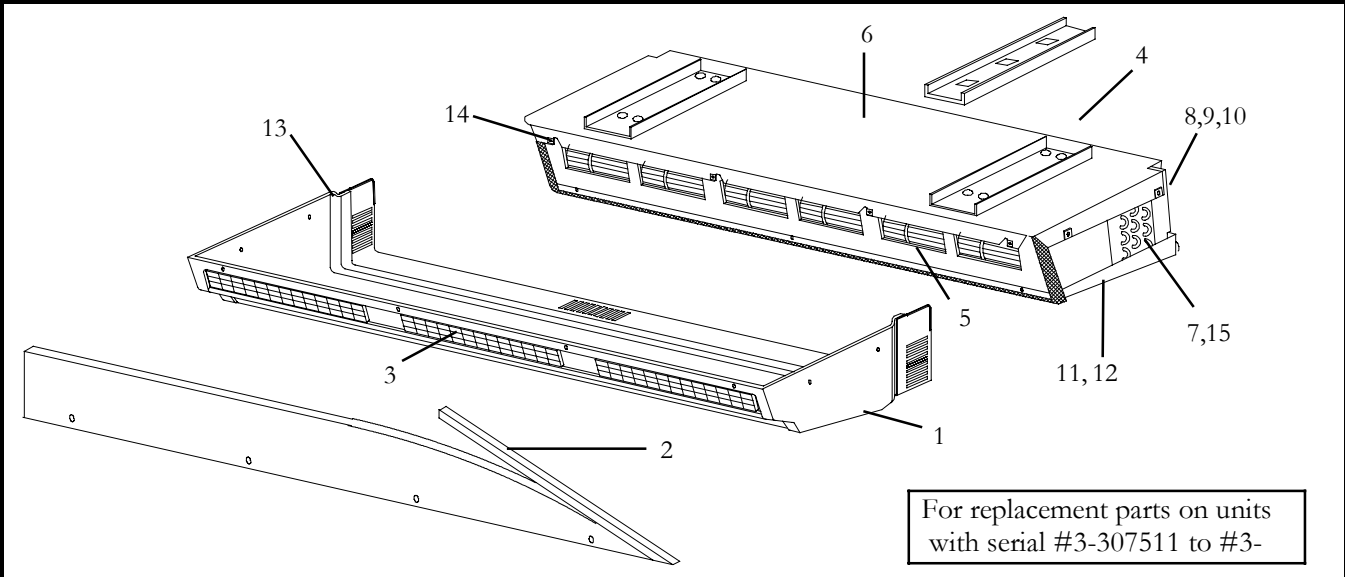


**SECTION 1.3 EM-3 EVAPORATORS**
**1.3.1 EVAPORATOR, EM-3, GEN 4, DUCTED, WITH PLENUM OR GRILL BOX**


Item	Part Number	Description	Qty
1	AC401-320	Louver, (14-3/8 X 3-3/8 Inches)	A/R
2	AC401-307	Adapter, Hose, (2-1/2 Inch)	2
3	AC301-205	Hose, Duct, 2-1/2 Inch Diameter X Foot	3
4	58-01386-00	Ball, Louver, 2-1/2 Inch Diameter With Hose Back	2
5	AC401-306	Ring, Mounting, For Louver Ball	2
6	NSI	Washer, Flat, 3/8 Inch, Zinc Plated	12
7	NSI	Nut, Hex, Lock, (Esna), 3/8-16, Zinc Plated	12



1.3.2 EVAPORATOR, EM-3, GEN 4, FREE BLOW



For replacement parts on units with serial #3-307511 to #3-

Item	Part Number	Description	Qty
1	79-62073-00	Assembly, Cover, White	1
	79-62073-01	Assembly, Cover, Gray	1
2	AC801-412F25	Flexible Trim, Black (25 Ft. Roll)	1
3	AC401-320	Assembly, Louver, Air Outlet, (14-3/8 X 7-1/4 Inch)	2
4	38-00573-07	Filter, Return Air, (26.25 X 8 X 1/4 Inch)	2
5	AC401-232	Assembly, Blower, Dual, 12 VDC	3
	AC401-233	Assembly, Blower, Dual, 24 VDC	3
6	76-62019-00	Resistor Kit, (1.8 Ohm, 4 Prong)	3
7	08-62067-00	Assembly, Coil, R134a, With Heat, With Low Pressure Switch Connection	1
	08-62068-00	Assembly, Coil, R134a, With Low Pressure Switch Connection	1
8	14-00397-00	Valve, Thermal Expansion, R134a	2
9	AC801-202	O-Ring, 1/2 Inch	4
10	AC201-501	Thermostat, Freeze-Up, Coil Insert	1
11	N/A	Assembly, Drain Pan, (Foamed)	1
12	AC022-314	Baffle, Foam, EM_3 Drain Pan	1
13	AC801-414	Gasket, Foam, 3/8 X 1 Inch X 25 Foot Roll	1
14	AC701-123	Clip, Tinnerman, High-Torque, (#10AB)	14
15	AC201-412	Switch, Low Pressure	1

**OPTION TABLE - EM3 - GEN V,  
12 VDC - 3 Speed**

<b>MODEL EM3 Gen V 77-62532</b>	<b>Cover Kit</b> (see Section 1.3.5)	<b>Chassis Kit</b> (see Section 1.3.3)	<b>Wire Harness</b> (see Section 1.3.4)
-00	-	1	1
-01	-	1	1 & 2
-05	-	1	1 & 4
-06	-	1	1 & 5
-21	1	1	1 & 2
-22	2	1	1 & 2
-24	2	1	1 & 2
-31	1	1	1
-32	2	1	1
-41	1	1	1 & 2
-42	2	1	1 & 2
-44	2	1	1 & 2
-45	1	1	1 & 2
-47	2	1	1 & 2
-48	-	1	1 & 3

**OPTION TABLE - EM3 - GEN V  
12 VDC - Variable Speed**

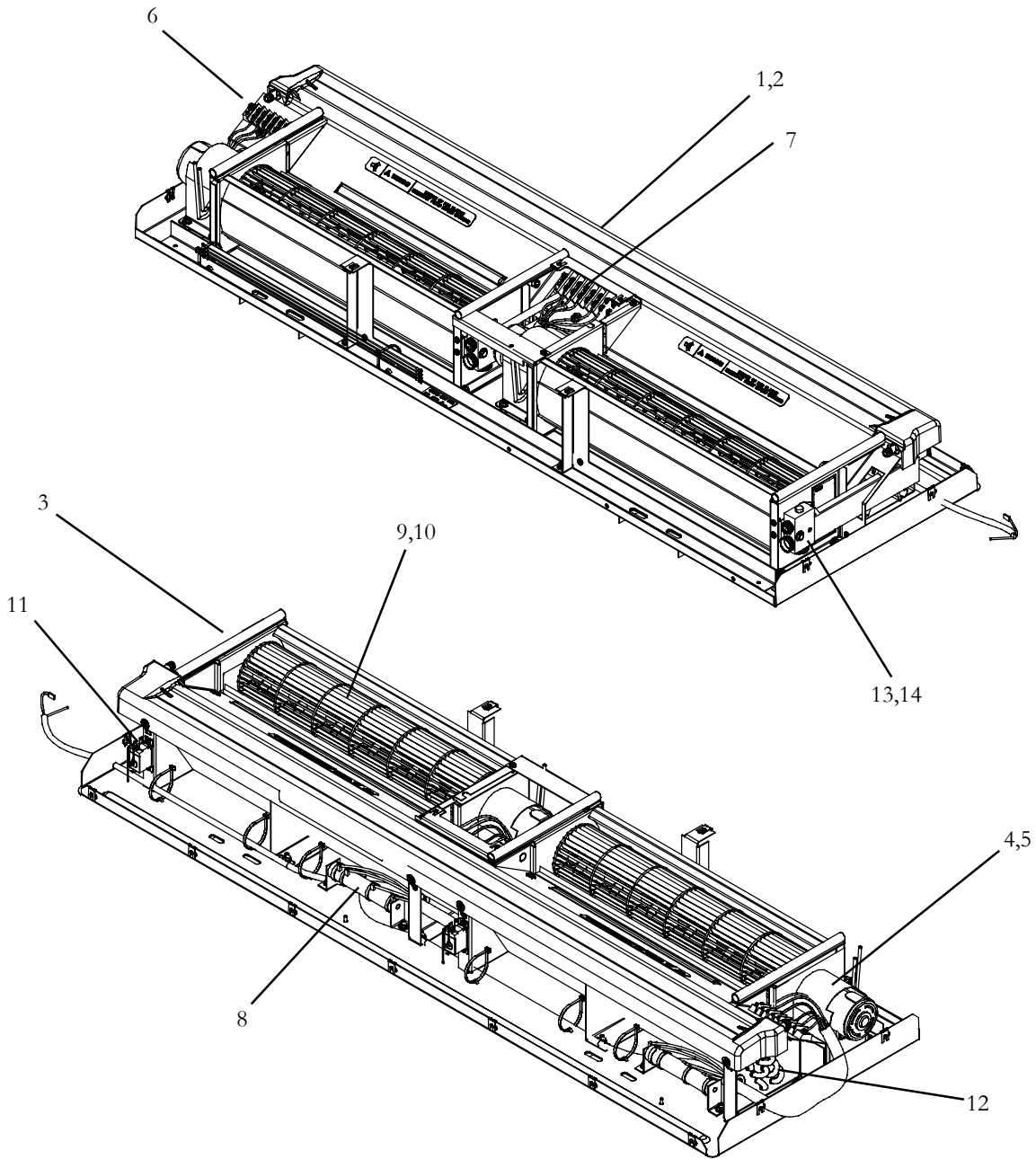
<b>MODEL EM3 Gen V 77-62312</b>	<b>Cover Kit</b> (see Section 1.3.5)	<b>Chassis Kit</b> (see Section 1.3.3)	<b>Wire Harness</b> (see Section 1.3.4)
-00	-	1	6
-21	1	1	2 & 6
-22	2	1	2 & 6
-31	1	1	2 & 6
-32	2	1	2 & 6
-41	1	1	2 & 6
-42	2	1	2 & 6
-44	2	1	2 & 6
-45	1	1	2 & 6

**OPTION TABLE - EM3 - GEN V  
24 VDC - Variable Speed**

<b>MODEL EM3 Gen V 77-62324</b>	<b>Cover Kit</b> (see Section 1.3.5)	<b>Chassis Kit</b> (see Section 1.3.3)	<b>Wire Harness</b> (see Section 1.3.4)
-00	-	1	6
-21	1	1	6
-22	2	1	6
-31	1	1	6
-32	2	1	6
-41	1	1	6
-42	2	1	6
-44	2	1	2 & 6
-45	1	1	2 & 6



1.3.3 EM-3, 3 SPEED CHASSIS KITS (Common Parts) OPTION 1



Item	Part Number	Description	Qty
1	79-62107-00	Drain Pan Assembly, EM-3, Gen-V - Includes:	1
2	42-62140-01	.....Baffle, Drain Pan, Foam	1
3	58-62064-00F25	Trim Seal, 1/8 Inch Grip (25 Feet Roll)	A/R
4	Y45-00005-51	Motor, Evaporator, 12 VDC	2
	22-62328-01	.....Fuse, 30A, 12VDC	2
	Y45-00005-54	Motor, Evaporator, 24VDC	2
	22-62328-03	.....Fuse, 20A, 24VDC	2



1.3.3 EM-3, 3 SPEED CHASSIS KITS (Common Parts) OPTION 1: Continued			
Item	Part Number	Description	Qty
5	42-62052-00	Gasket, Motor, (Gen-V)	2
6	22-62141-01	Terminal Block, 7 Position, Without Screws	1
7	22-62100-01	Terminal Block, 7 Position, With Screws	1
8	22-62169-00	Resistor, 220 W, .820 Ohm <b>(3 Speed Application ONLY)</b>	2
9	38-00564-53	Blower Wheel (Length - 21.90 Inches - 556.3 mm) Includes:	1
10	34-00482-05	.....Set Screw, Cup Point, 1/4-28, SS	1
N.S.	76-62257-00	Blower Housing & Boot Repair Kit	1
11	12-00685-00	Thermostat, Freeze-Up, Non-Adjustable	2
12	08-01069-00	Coil, Evaporator	1
13	14-00397-00	Valve, Thermal Expansion, Block, R134a	1
14	AC801-202	O-Ring, 1/2 Inch	2
N.S.	AC201-412	Switch, Pressure, Low	1
N.S.	42-00032-00	Tape, Insulation, Prestite, 2 Inch X 30 Feet Long	1

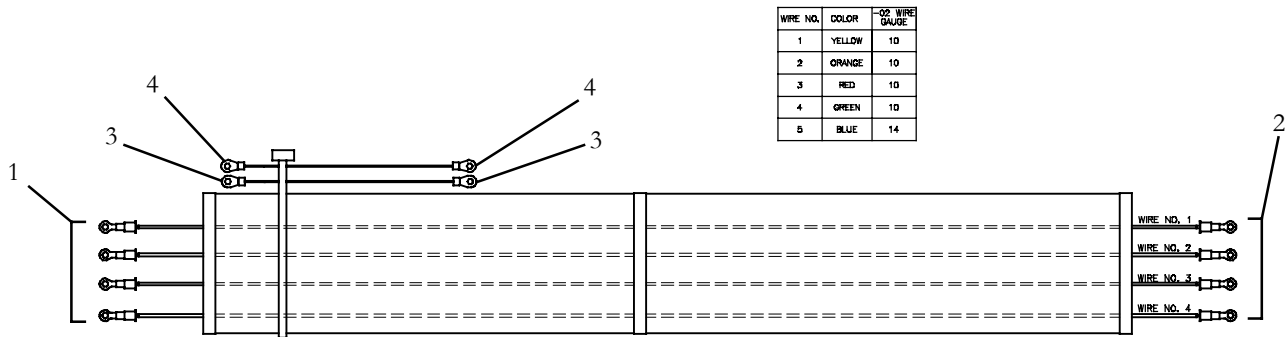
**NOTE: Complete Wire Harnesses are Non-Stock Items. Replace Components are Listed.**

**1.3.4 EM3 GEN-V, Wire Harness 22-62168-00 : OPTION 1**



Item	Part Number	Description	Qty
1	22-00119-03	Terminal Ring #10, 12/10 AWG	4
2	22-00121-27	Terminal Ring #10, 22/18 AWG	2
3	22-02245-02	Terminal, Female, Fully Insulated Faston Straight 1/4", 22/18 AWG	2/3
4	31-1247	Terminal, Female, Fully Insulated Faston Straight 1/4", 12/10 AWG	4

**1.3.4 EM3 GEN-V, Wire Harness 22-62164-00 : OPTION 2**

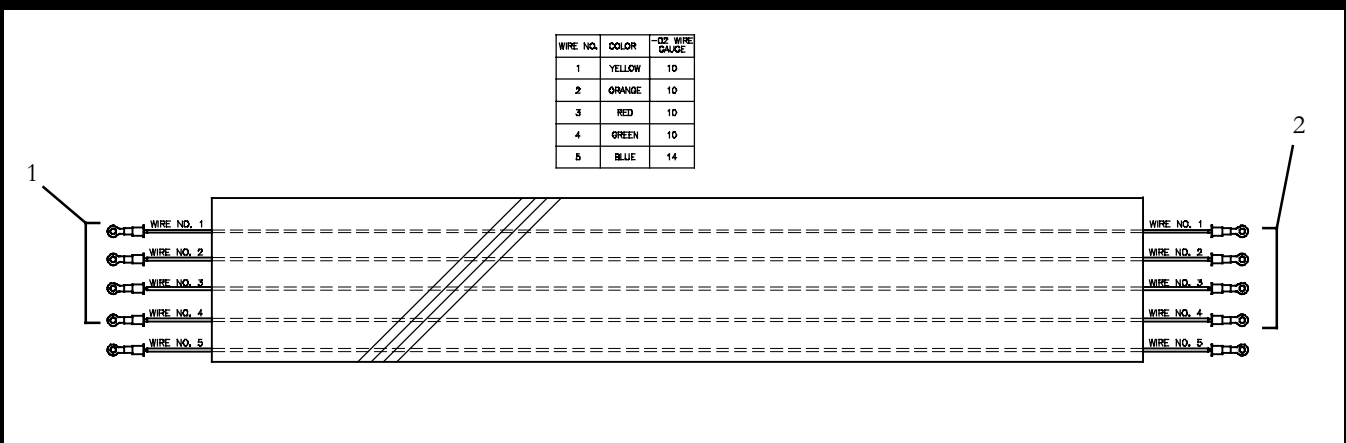


Item	Part Number	Description	Qty
1	22-01140-05	Ring Terminal, #8 - 10 AWG	4
2	22-01140-02	Ring Terminal, #10 - 10 AWG	4
3	22-00121-25	Ring Terminal, #8 - 18 AWG	2
4	22-00121-27	Ring Terminal, #10 - 18 AWG	2



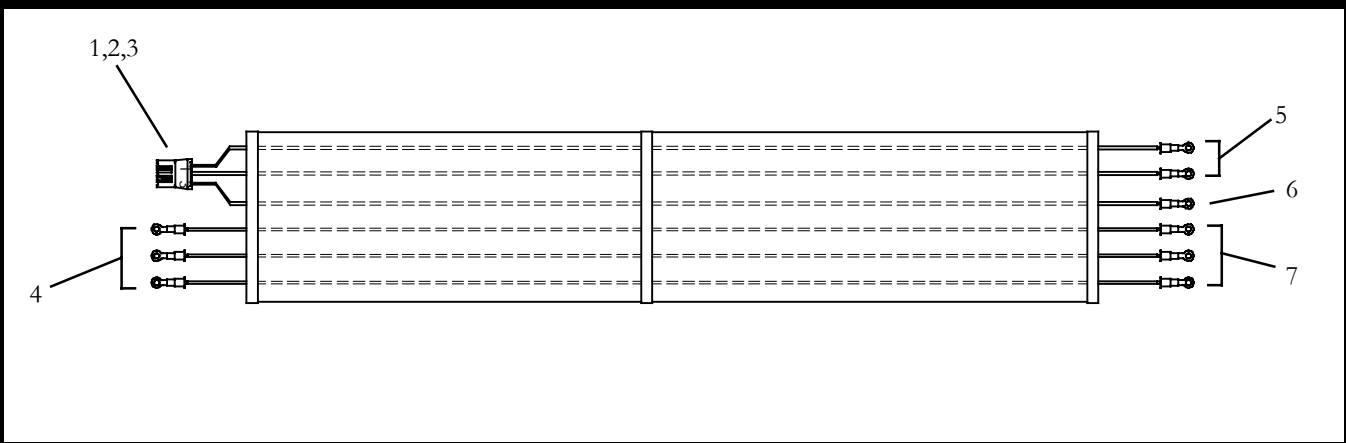
**NOTE: Complete Wire Harnesses are Non-Stock Items. Replace Components are Listed.**

**1.3.4 EM3 GEN-V, Wire Harness 22-62164-02 : OPTION 3**



Item	Part Number	Description	Qty
1	22-01140-05	Ring Terminal, #8 - 10 AWG	4
2	22-01140-02	Ring Terminal, #10 - 10 AWG	4
3	22-01139-05	Ring Terminal, #8 - 14/16 AWG	1
4	22-01139-02	Ring Terminal, #10 - 14/16 AWG	1

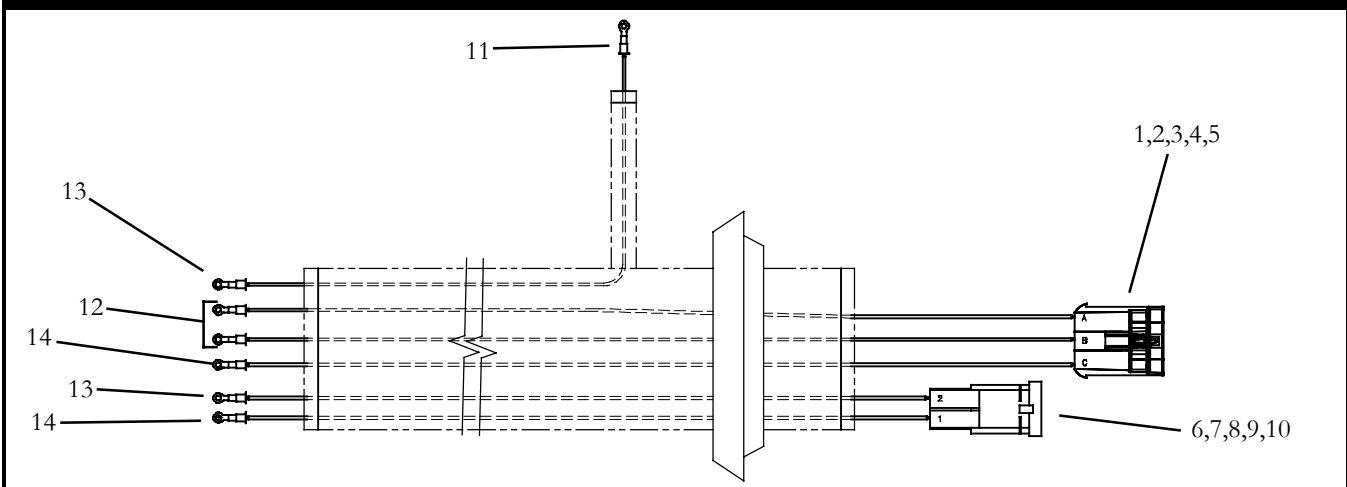
**1.3.4 EM2 GEN-V, Wire Harness 22-62261-00: OPTION 4**



Item	Part Number	Description	Qty
1	Y31-00007-00	Connector, Female, Molex, 3 Way	1
2	Y31-00007-50	Terminal, Female, Molex, 18-20 AWG	2
3	Y31-00007-51	Terminal, Female, Molex, 14-16 AWG	1
4	22-01140-04	Terminal, Ring 3/8", 12/10 AWG	3
5	22-00121-27	Terminal, Ring, #10 - 18 AWG	2
6	22-01139-02	Terminal, Ring, #10 - 14/16 AWG	1
7	22-01140-02	Terminal, Ring, #10 - 12/10 AWG	3

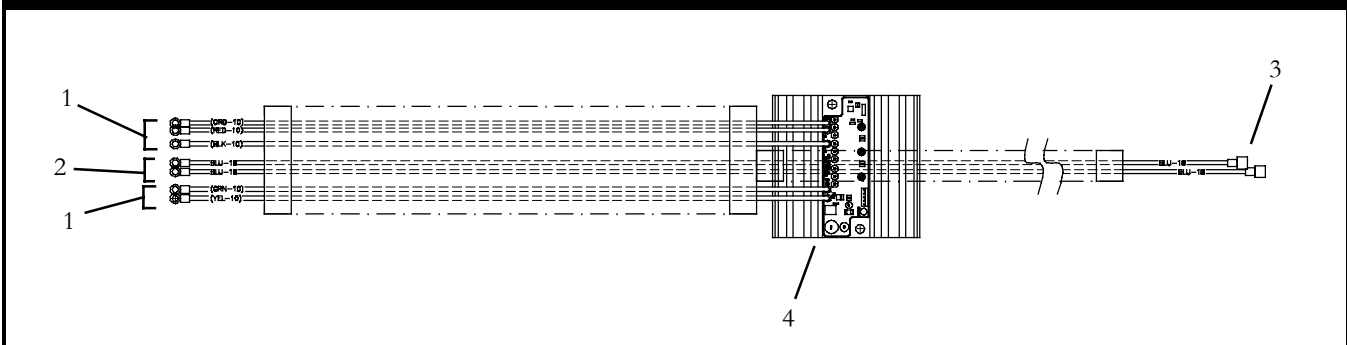
**NOTE: Complete Wire Harnesses are Non-Stock Items. Replace Components are Listed.**

**1.3.4 EM3 GEN-V, Wire Harnesses 22-62204-00: OPTION 5**



Item	Part Number	Description	Qty
1	22-50078-86	Connector, Male, M/P 630, 3 Way	1
2	22-50078-49A	Terminal, Male, 18 AWG	2
3	22-50078-49C	Terminal, Male, 12 AWG	1
4	22-50078-86B	Cable Seal	3
5	22-50078-86A	Lock, Secondary	1
6	22-50098-67	Connector, Male, Tyco, 2 Way	1
7	22-50098-67B	Terminal, Male, 8 AWG	1
8	22-50098-67A	Terminal, Male, 10/12 AWG	1
9	22-50098-67C	Cable Seal, 10/12 AWG	1
10	22-50098-67D	Cable Seal, 8 AWG	1
11	22-00872-03	Terminal, Ring 5/16", 8 AWG	2
12	22-00121-27	Terminal, Ring, #10 - 18 AWG	2
13	22-00872-01	Terminal, Ring, #10 - 8 AWG	2
14	22-00119-03	Terminal, Ring, #10 - 12/10 AWG	2

**1.3.4 EM3 GEN-V, Wire Harness 22-62099-00 : OPTION 6**

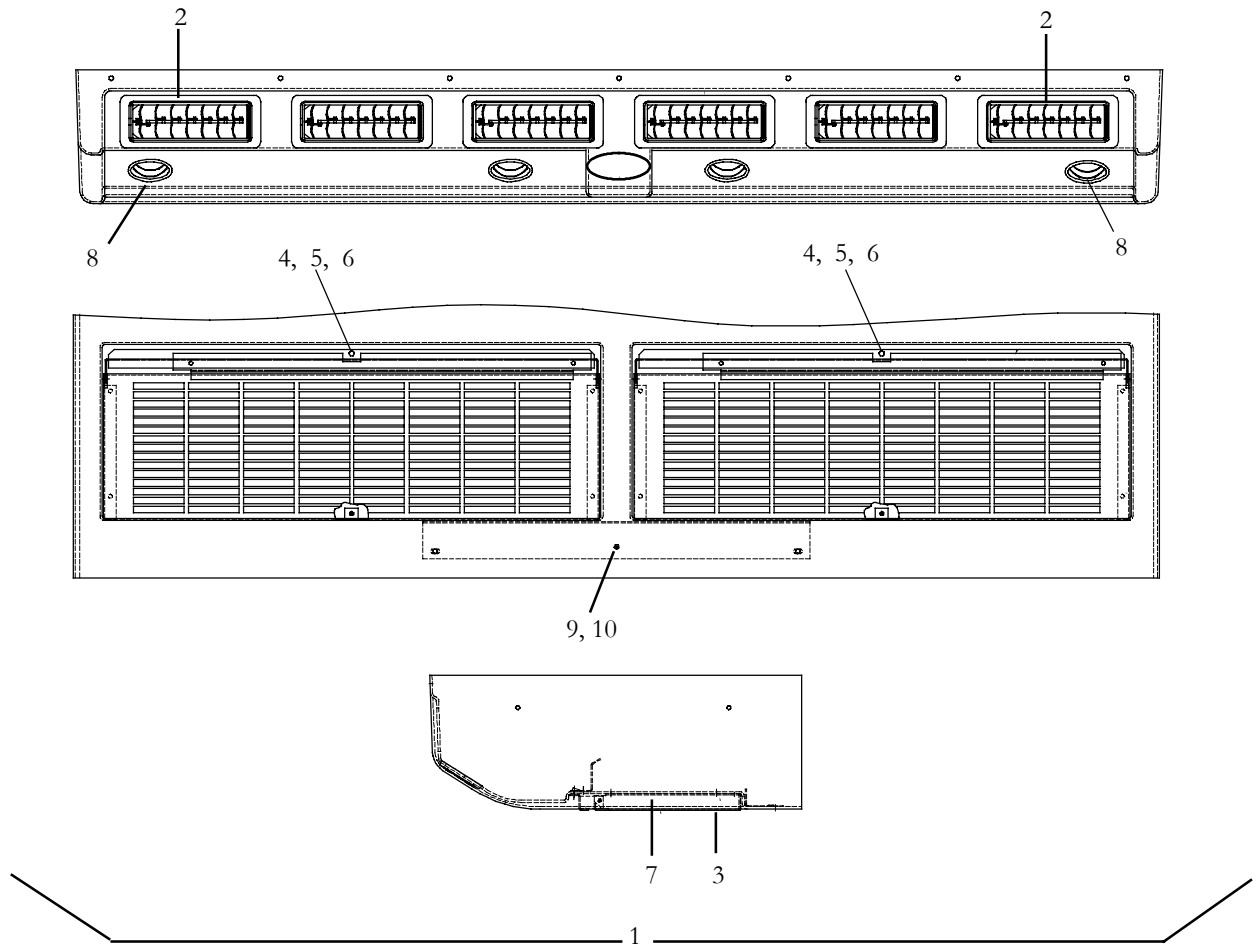


Item	Part Number	Description	Qty
1	22-01140-02	Terminal Ring #10, 12/10 AWG	5
2	22-00121-27	Terminal Ring #10, 22/18 AWG	2
3	22-02245-02	Terminal, Female, Fully Insulated Faston Straight 1/4", 22/18 AWG	2/4
4	12-00533-00	Speed Controller w/Harness	1





1.3.5 EM-3, GEN-5, COVER ASSEMBLY

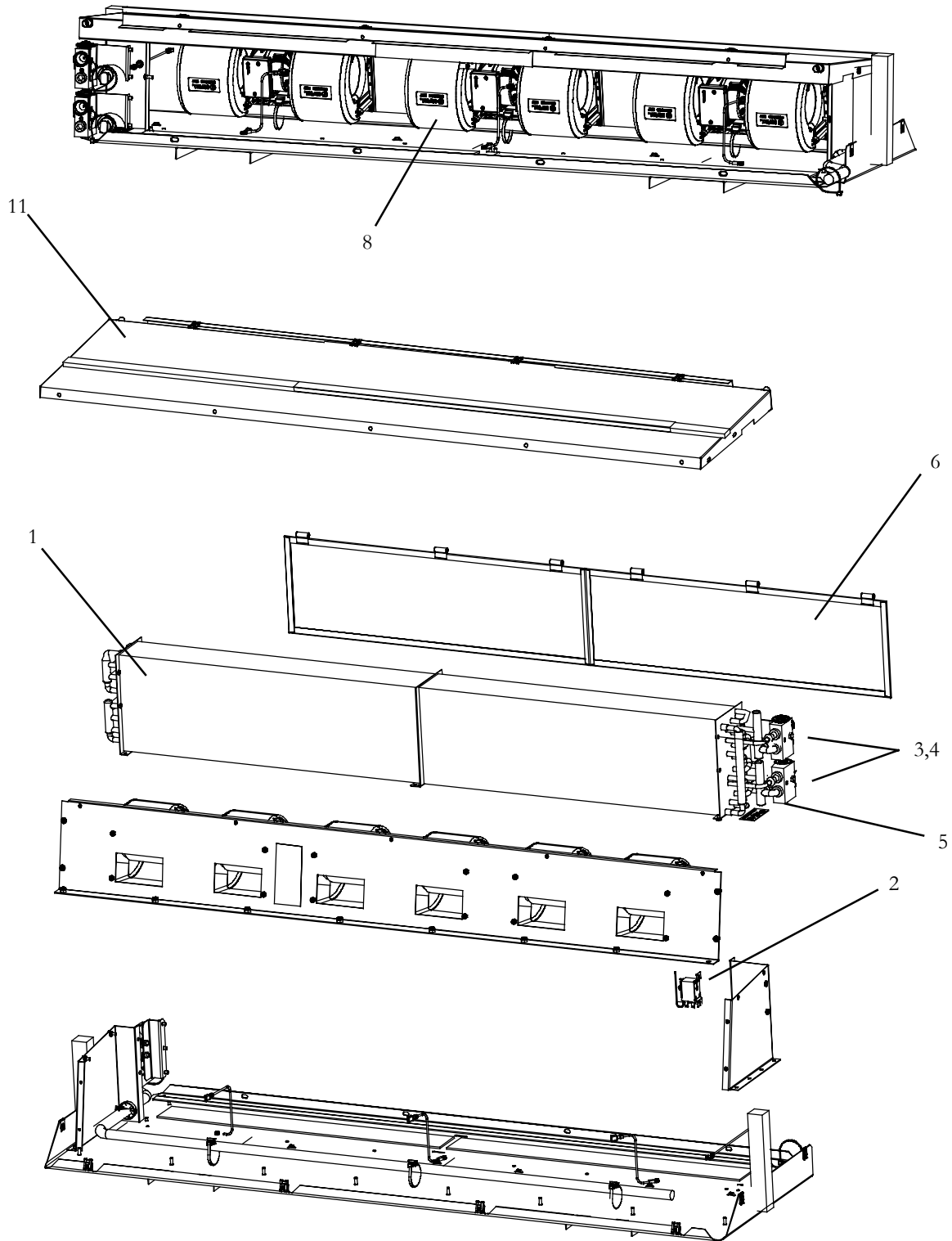


Item	Part Number	Description	Qty
1	79-62065-01SV	Cover Assembly, EM-3, White - Includes:	1
	79-62065-02SV	Cover Assembly, EM-3, Gray - Includes:	1
2	58-62042-00	.....Louver, Rectangular, (8.00 x 3.00 Inches)	6
3	68-63275-03	.....Grill, Evaporator, EM-3, Gen-V, (Painted)	2
4	34-06169-01	.....Washer, Retaining, 0.215 I.D.	2
5	34-62020-00	.....Stud, 1/4 Turn, .25 Grip Range	2
6	34-62019-00	.....Receptacle, 1/4 Turn	2
7	38-00573-04	.....Filter, Air, (26.81 inch X 9.00 inch)	2
8	Y23-00002-00	.....Louver, Adjustable, 3.00 Inches, (Round)	4
10	AC801-529	.....Washer, Snap Cap	1
	AC801-531	.....Snap Cap, White	1
	AC801-532	.....Snap Cap, Gray	1

**OPTION TABLE - EM3 - CLASSIC LINE**

<b>MODEL EM7 Y19-EM307</b>	<b>Cover Kit</b> (See Section 1.5.5)	<b>Chassis Kit</b> (See Section 1.3.6)	<b>Wire Harness</b> (See Section 1.5.6)
-00	-	1	1
-01	-	2	1
-21	2	1	1
-22	1	1	1
-23	2	2	1
-24	1	2	1
-30	2	1	1
-31	1	1	1
-32	2	2	1
-33	1	2	1

1.3.6 EM-3, CLASSIC LINE, 3 SPEED CHASSIS KITS Y73-EM303-00 & -01, OPTION 1 & 2

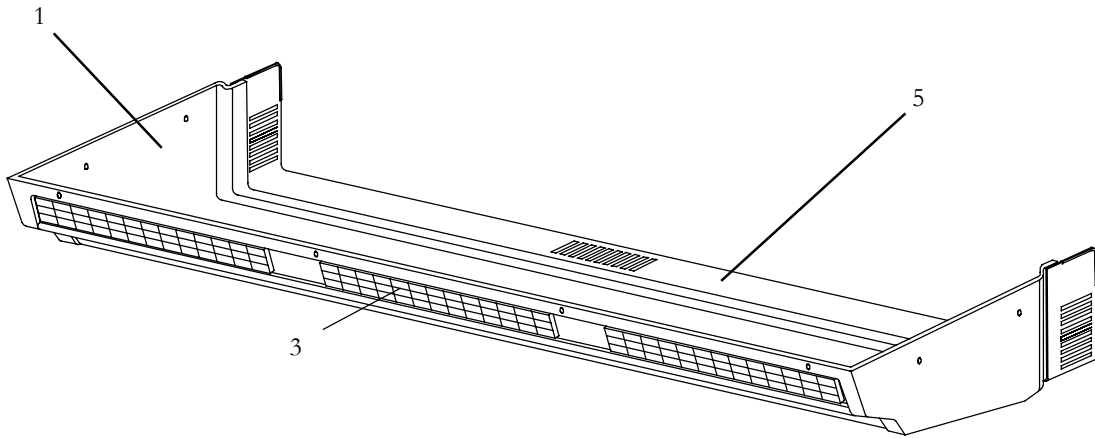




<b>1.3.6 EM-3, CLASSIC LINE, 3 SPEED CHASSIS KITS Y73-EM303-00 &amp; -01, OPTION 1 &amp; 2, Cont.</b>			
<b>Item</b>	<b>Part Number</b>	<b>Description</b>	<b>Qty</b>
1	08-62068-00	Coil Assembly, Evaporator, (Cool Only)	1
	08-62067-00	Coil Assembly, Evaporator, (With Heat)	1
2	12-00685-00	Thermostat, Freeze-up	1
3	14-00397-00	Thermal Expansion Valve (TXV)	2
4	AC801-202	O-Rings, 1/2" HN BR	4
5	AC201-412	Pressure Switch, Low	2
6	38-00573-07	Filter, Air	2
7	79-62127-00	Drain Pan Assembly	1
8	Y15-00003-00	Blower Assembly, 12VDC, w/Resistor	3



1.3.7 EM-3, CLASSIC LINE, COVER ASSEMBLY, REAR MOUNT : OPTION 1 & 2

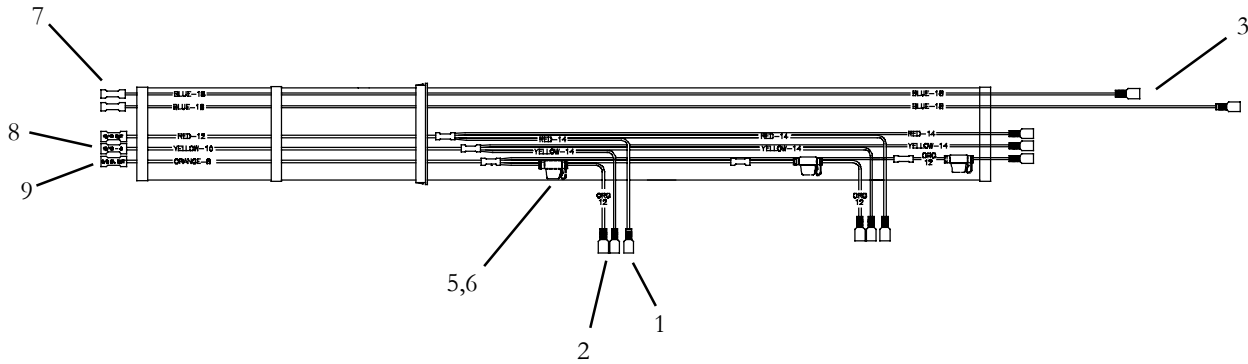


Item	Part Number	Description	Qty
1	79-62073-01	Cover Assembly, Gray, <b>OPTION 1</b>	1
	79-62073-00	Cover Assembly, White, <b>OPTION 2</b>	1
2	AC401-320	Diffuser, Air, Adjustable Rectangular	3
3	AC022-252	Grille, Return Air	1

### NOTE

**Complete Wire Harnesses are Non-Stock Items. Replacement Components are Listed.**

#### 1.3.8 EM3, CLASSIC LINE, Wire Harness Y2500103-01, OPTION 1

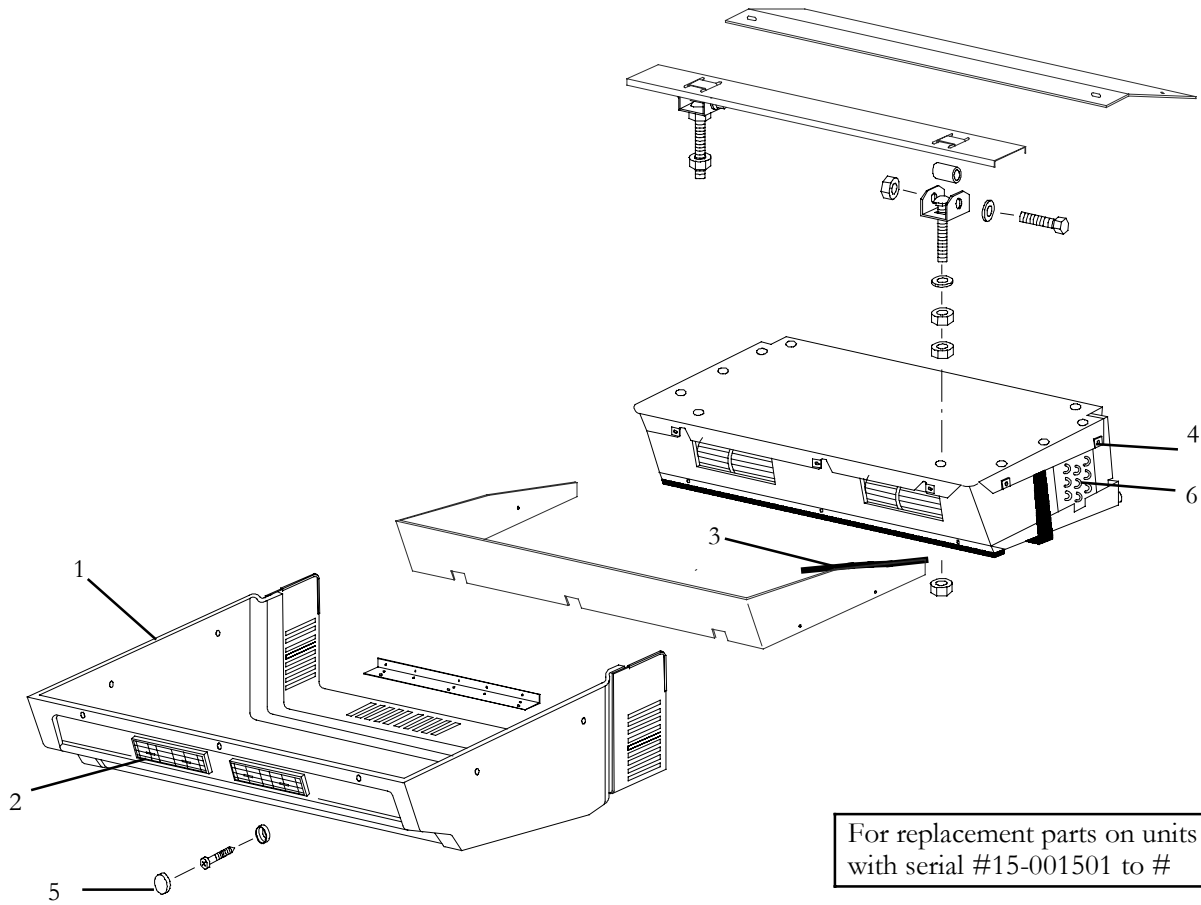


Item	Part Number	Description	Qty
1	22-01141-01	Terminal, Female, 1/4" Pushon, Insulated 16-14 AWG	6
2	22-01142-XX	Terminal, Female, 1/4" Pushon, Insulated 10-12 AWG	3
3	22-02245-02	Terminal, Female, 1/4" Pushon, Insulated 22-18 AWG	2
4	22-01502-00	Terminal, Male, 1/4" Pushon, Insulated 22-18 AWG	1
5	22-02338-07	Fuseholder, w/Cap	1
6	22-02336-26	Fuse, Mini, 25A	1
7	REF	Terminal, Butt Splice, Heat Sealable, 22-18 AWG (Molex Part # 19164-0013)	2
8	REF	Terminal, Butt Splice, Heat Sealable, 12-10 AWG (Molex Part # 19164-0056)	1
9	REF	Terminal, Butt Stepdown, Heat Sealable, 12-10/8 AWG (Waytec Part # 38253)	1
N.S.	Y30-13000-00	Nyogel	1



**SECTION 1.4 EM-6 EVAPORATORS**

**1.4.1 EVAPORATOR, EM-6, GEN 4, SIDE MOUNT, FREE BLOW**



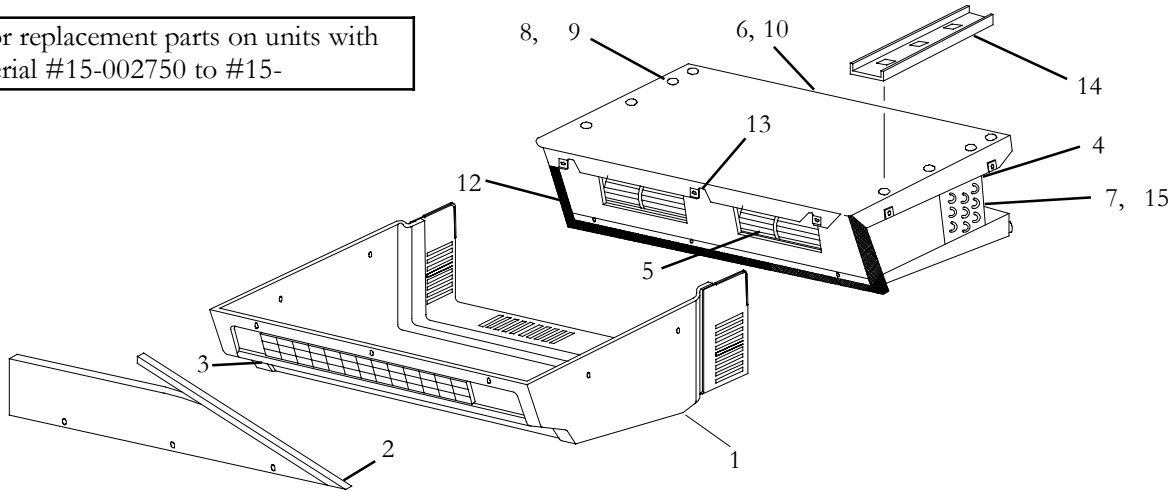
For replacement parts on units with serial #15-001501 to #

Item	Part Number	Description	Qty
1	N/A	Cover Assembly, White	1
	79-62076-01	Cover Assembly, Gray	1
2	AC401-308	Assembly, Louver (7.0 X 3.0 Inches)	2
3	AC801-412F25	Trim, Flexible, Black (25 Ft. Roll)	1
4	AC701-123	Clip, Tinnerman, High Torque, #10AB	10
5	AC801-531	Cap, Snap, White	7
	AC801-532	Cap, Snap, Gray	7
6	N/A	Coil Assembly, 3 Row, W/O Heat (Includes TXV)	1



**1.4.2 EVAPORATOR, EM-6, GEN 4, FREE BLOW**

For replacement parts on units with serial #15-002750 to #15-



**1.4.2 EVAPORATOR, EM-6, GEN 4, FREE BLOW - Continued:**

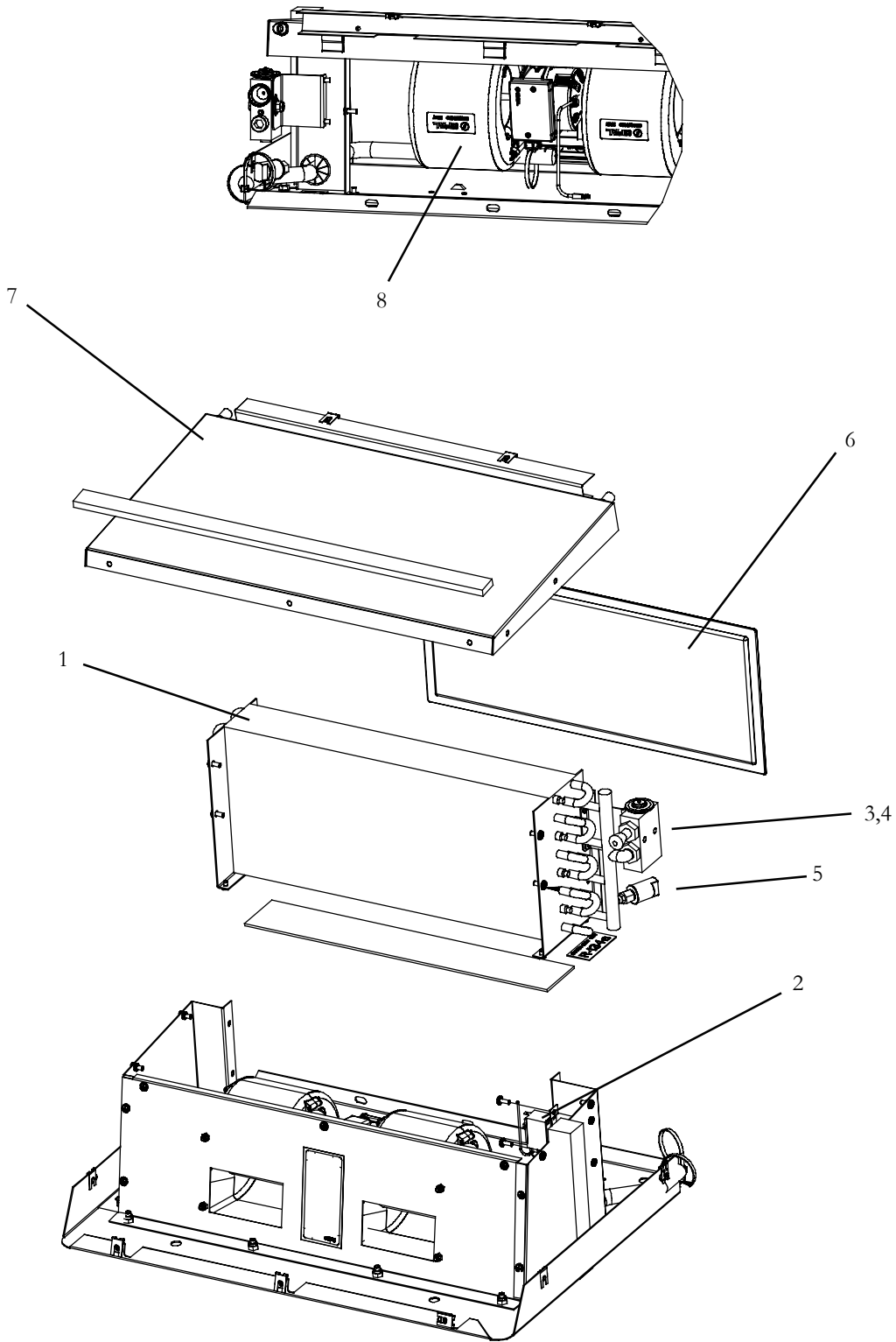
Item	Part Number	Description	Qty
1	79-62074-00	Cover Assembly, White	1
	79-62074-01	Cover Assembly, Gray	1
2	AC801-412F25	Flexible Trim, Black (25 Ft. Roll)	1
3	AC401-320	Assembly, Louver, Air Outlet, (14-3/8 X 3-3/8 Inch)	1
4	AC801-462	Filter, Return Air (1/4 X 8.0 X 19.0 Inch)	1
5	AC401-232	Assembly, Blower, Dual, 12 VDC	1
	AC401-233	Assembly, Blower, Dual, 24 VDC	1
6	76-62019-00	Resistor Kit, (1.8 Ohm, 4 Prong)	1
7	08-62061-00	Assembly, Coil, With Low Pressure Switch Connection	1
	08-62062-00	Assembly, Coil, With Heat, Coil, With Low Pressure Switch Connection	1
8	14-00397-00	Valve, Thermal Expansion	1
9	AC801-202	O-Ring, 1/2 Inch	2
10	AC201-501	Thermostat, Freeze-Up, Coil Insert	1
11	AC801-403	Gasket, Foam (1-1/4 X 1-1/4 inch X 25 Foot Roll)	1
12	AC801-414	Gasket, Foam, Soft (3/8 X 1 inch X 25 Foot Roll)	1
13	AC701-123	Clip, Tinnerman, High-Torque (#10AB)	11
14	AC020-009	Channel, Mounting	2
15	AC201-412	Switch, Low Pressure	1



**OPTION TABLE - EM6 - CLASSIC LINE**

<b>MODEL EM7 Y19-EM607</b>	<b>Cover Kit</b> (See Section 1.4.4)	<b>Chassis Kit</b> (See Section 1.4.3)	<b>Wire Harness</b> (See Section 1.4.5)
-00	-	1	1
-01	-	2	1
-21	2	1	1
-22	1	1	1
-23	2	2	1
-24	1	2	1
-30	2	1	1
-31	1	1	1
-32	2	2	1
-33	1	2	1

1.4.3 EM-6, CLASSIC LINE, 3 SPEED CHASSIS KITS Y73-EM601-00 & -01, OPTION 1 & 2

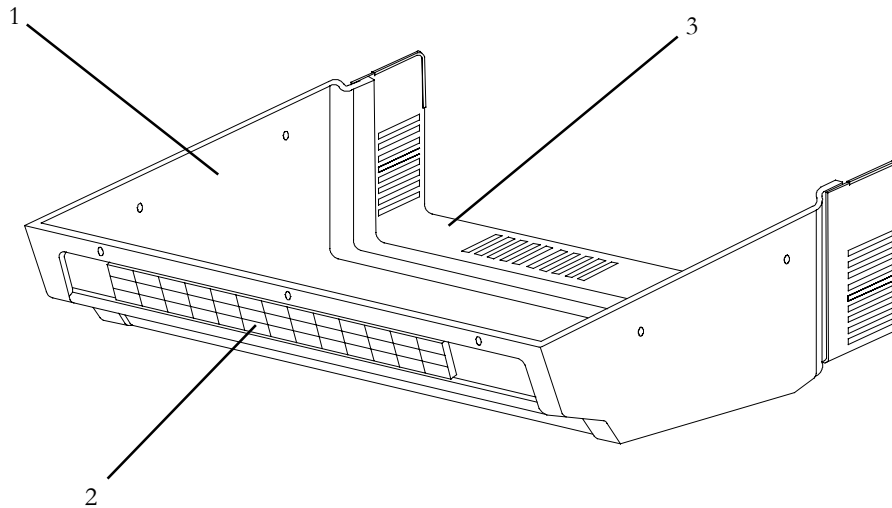




<b>1.4.3 EM-6, CLASSIC LINE, 3 SPEED CHASSIS KITS Y73-EM601-00 &amp; -01, OPTION 1 &amp; 2, Cont.</b>			
<b>Item</b>	<b>Part Number</b>	<b>Description</b>	<b>Qty</b>
1	08-62061-00	Coil Assembly, Evaporator, (Cool Only), <b>OPTION 1</b>	1
	08-62062-00	Coil Assembly, Evaporator, (With Heat), <b>OPTION 2</b>	1
2	12-00685-00	Thermostat, Freeze-up	1
3	14-00397-00	Thermal Expansion Valve (TXV)	1
4	AC801-202	O-Rings, 1/2" HN BR	2
5	AC201-412	Pressure Switch, Low	1
6	AC801-462	Filter, Air	1
7	79-62128-00	Drain Pan Assembly	1
8	Y15-00003-00	Blower Assembly, 12VDC, w/Resistor	1



1.4.4 EM-6, CLASSIC LINE, COVER ASSEMBLY, REAR MOUNT : OPTION 1 & 2

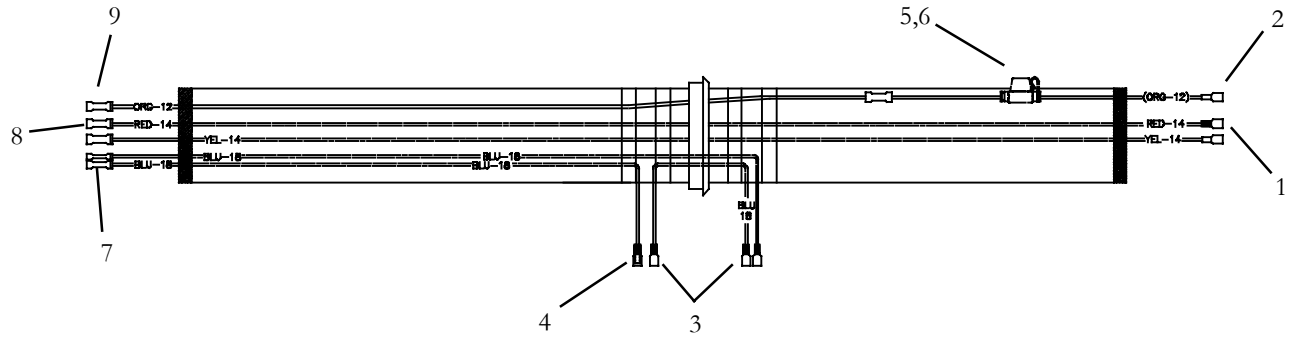


Item	Part Number	Description	Qty
1	79-62074-01	Cover Assembly, Gray, <b>OPTION 1</b>	1
	79-62074-00	Cover Assembly, White, <b>OPTION 2</b>	1
2	AC401-320	Diffuser, Air, Adjustable Rectangular	1
3	AC022-253	Grille, Return Air	1

**NOTE**

**Complete Wire Harnesses are Non-Stock Items. Replacement Components are Listed.**

**1.4.5 EM2 CLASSIC LINE, WIRE HARNESS Y25-00102-01, OPTION 1**



Item	Part Number	Description	Qty
1	22-01141-01	Terminal, Female, 1/4" Pushon, Insulated 16-14 AWG	2
2	22-01142-XX	Terminal, Female, 1/4" Pushon, Insulated 10-12 AWG	1
3	22-02245-02	Terminal, Female, 1/4" Pushon, Insulated 22-18 AWG	3
4	22-01502-00	Terminal, Male, 1/4" Pushon, Insulated 22-18 AWG	1
5	22-02338-07	Fuseholder, w/Cap	1
6	22-02336-26	Fuse, Mini, 25A	1
7	REF	Terminal, Butt Splice, Heat Sealable, 22-18 AWG (Molex Part # 19164-0013)	2
8	REF	Terminal, Butt Stepdown, Heat Sealable, 16-14/12-10 AWG (Molex Part # 19164-0077)	2
9	REF	Terminal, Butt Stepdown, Heat Sealable, 12-10/8 AWG (Waytec Part # 38253)	1
N.S.	Y30-13000-00	Nyogel	1

**SECTION 1.5 EM-7 EVAPORATORS**
**OPTION TABLE - EM7 - GEN V,  
12 VDC - 3 Speed**

<b>MODEL EM7 Gen V 77-62732</b>	<b>Cover Kit (see Section 1.5.3)</b>	<b>Chassis Kit (see Section 1.5.1)</b>	<b>Wire Harness (see Section 1.5.2)</b>
-00	-	1	1
-01	-	1	1 & 2
-02	-	1	1 & 2
-05	-	1	1 & 4
-06	-	1	1 & 5
-07	-	1	1 & 5
-21	1	1	1 & 2
-22	1	1	1 & 2
-23	2	1	1 & 2
-24	2	1	1 & 2
-31	1	1	1 & 2
-32	1	1	1 & 2
-41	1	1	1 & 2
-42	1	1	1 & 2
-44	1	1	1 & 2
-45	1	1	1 & 2
-47	1	1	1 & 2
-51	2	1	1 & 2
-52	2	1	1 & 2
-61	2	1	1 & 2
-62	2	1	1 & 2
-63	2	1	5
-64	2	1	5
-80	1	1	1 & 4
-81	1	1	1 & 4
-82	1	1	1 & 4
-83	1	1	1 & 4
-85	1	1	1 & 2
-90	2	1	1 & 3
-91	2	1	1 & 3
-95	1	1	1 & 2
-96	1	1	1 & 2

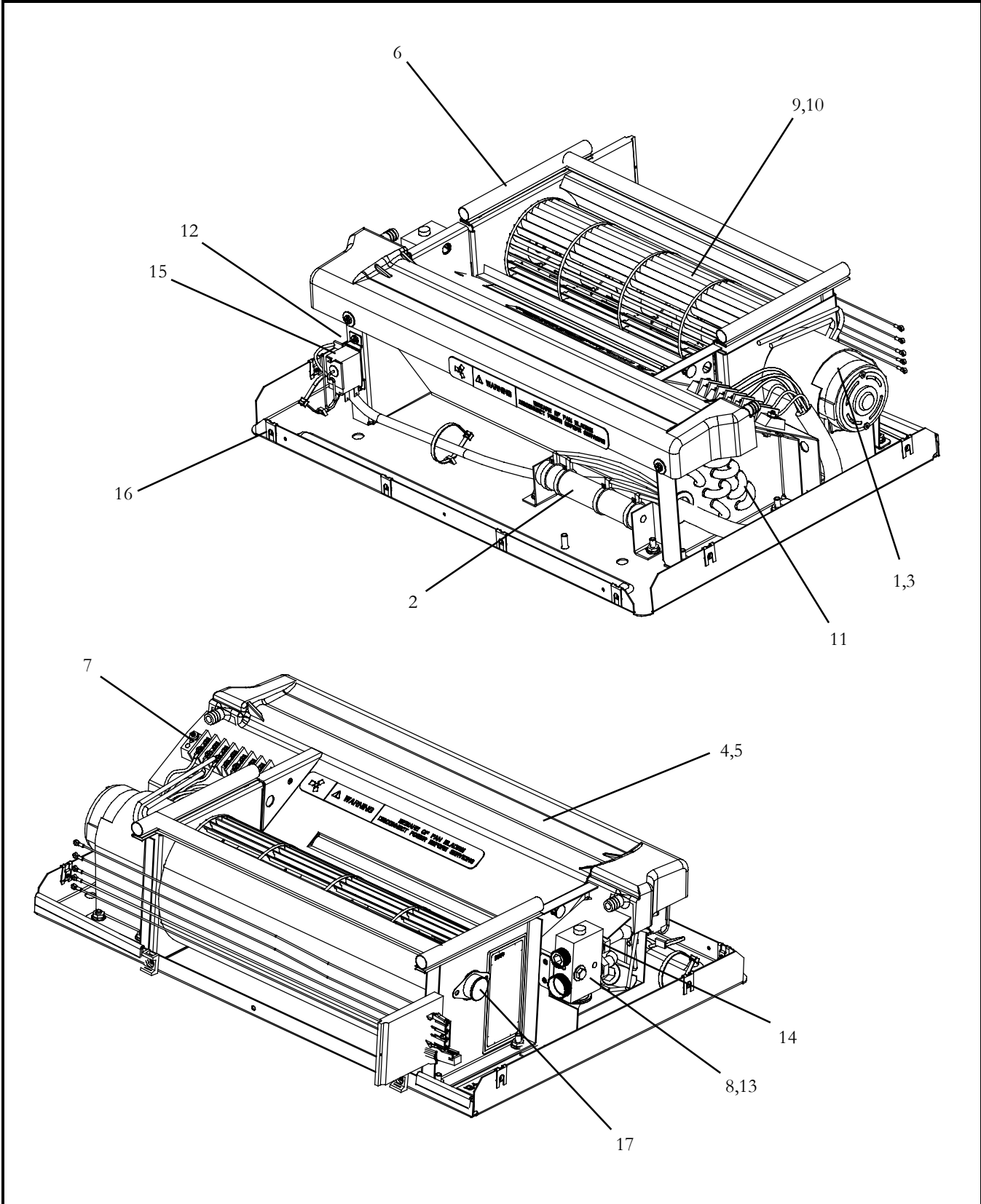
**OPTION TABLE - EM7 - GEN V  
12 VDC - Variable Speed**

<b>MODEL EM7 Gen V 77-62712</b>	<b>Cover Kit (see Section 1.5.3)</b>	<b>Chassis Kit (see Section 1.5.1)</b>	<b>Wire Harness (see Section 1.5.2)</b>
-00	-	1	6
-21	1	1	6
-22	1	1	6
-31	1	1	6
-32	1	1	6
-41	1	1	6
-42	1	1	6
-44	1	1	6
-45	1	1	6
-51	2	1	6
-52	2	1	6
-61	2	1	6
-62	2	1	6
-80	1	1	6 & 7
-82	1	1	6 & 7

**OPTION TABLE - EM7 - GEN V  
24 VDC - Variable Speed**

<b>MODEL EM7 Gen V 77-62724</b>	<b>Cover Kit (see Section 1.5.3)</b>	<b>Chassis Kit (see Section 1.5.1)</b>	<b>Wire Harness (see Section 1.5.2)</b>
-00	-	1	6
-41	1	1	6
-42	1	1	6
-61	2	1	6
-62	2	1	6

1.5.1 EVAPORATOR, EM-7, GEN V, CHASSIS KIT (Common Parts): OPTION 1



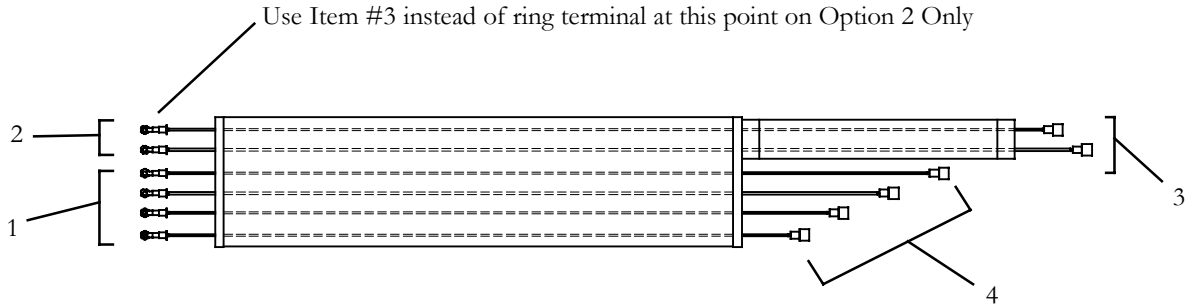


<b>1.5.1 EVAPORATOR, EM-7, GEN V, CHASSIS KIT (Common Parts): OPTION 1 (Continued)</b>			
<b>Item</b>	<b>Part Number</b>	<b>Description</b>	<b>Qty</b>
1	Y45-00005-52	Motor Evaporator, 12 VDC, GEN-V <b>(3 Speed Application ONLY)</b>	1
	22-62328-02	Fuse, 25A, 12 VDC, GEN-V	1
	Y45-00005-55	Motor Evaporator, 24 VDC, GEN-V	1
	22-02336-24	Fuse, 15A, 24 VDC, GEN-V	1
2	22-62169-00	Resistor, 220 W, .820 Ohm <b>(3 Speed Application ONLY)</b>	1
3	42-62052-00	Gasket, Motor	1
4	79-62106-02	Drain Pan Assembly, Includes:	1
5	42-62140-02	.....Baffle, Drain Pan, Foam	1
6	58-62064-00F25	Trim Seal, 1/8 Inch Grip, (25 Foot Roll)	A/R
7	22-62141-01	Terminal Block, 7 Position, (30 Amp)	1
8	AC701-101	Clip, Tinnerman, high Torque, (1/4-20)	1
9	38-00564-52	Blower Wheel (Length: 14.61 Inches - 371.1 mm) Includes:	1
10	34-00482-05	Set Screw, Cup Point, 1/4-28, SS	1
11	08-01068-02	Coil, Evaporator	1
12	AC201-412	Switch, Pressure, Low, Female	1
13	14-00397-00	Valve, Thermal Expansion, R134a	1
N.S.	42-00032-00	Tape, Insulation, Pressite, 2.00 Inch X 30 Feet Long	1
14	AC801-202	O-Ring, HNBR, (1/2 Inch)	2
15	12-00685-00	Thermostat, Freeze, Non-Adjustable	1
16	AC701-123	Clip, Tinnerman, High Torque, (#10AB)	8
17	76-62257-00	Blower Housing & Boot Repair Kit - Includes:	1



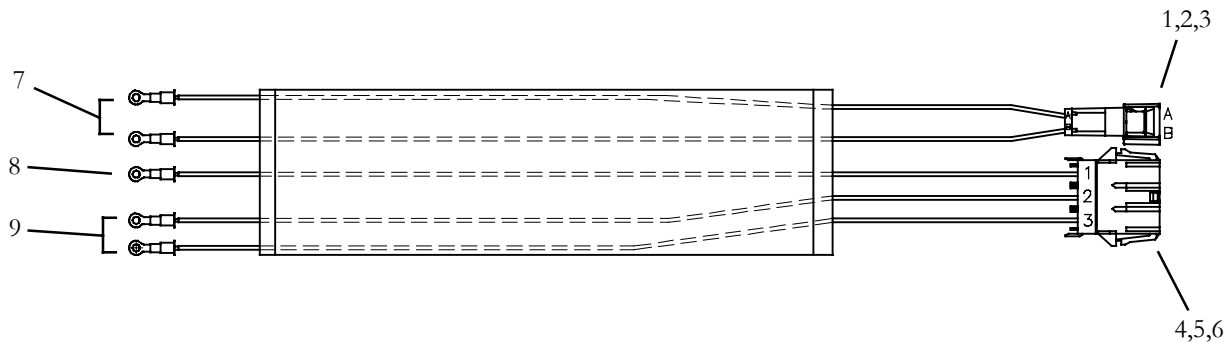
**NOTE: Complete Wire Harnesses are Non-Stock Items. Replace Components are Listed.**

**1.5.2 EM7 GEN-V, Wire Harness 22-62168-00 & -01: OPTION 1 & OPTION 5**



Item	Part Number	Description	Qty
1	22-00119-03	Terminal Ring #10, 12/10 AWG	4
2	22-00121-27	Terminal Ring #10, 22/18 AWG	2
3	22-02245-02	Terminal, Female, Fully Insulated Faston Straight 1/4", 22/18 AWG	2/3
4	31-1247	Terminal, Female, Fully Insulated Faston Straight 1/4", 12/10 AWG	4

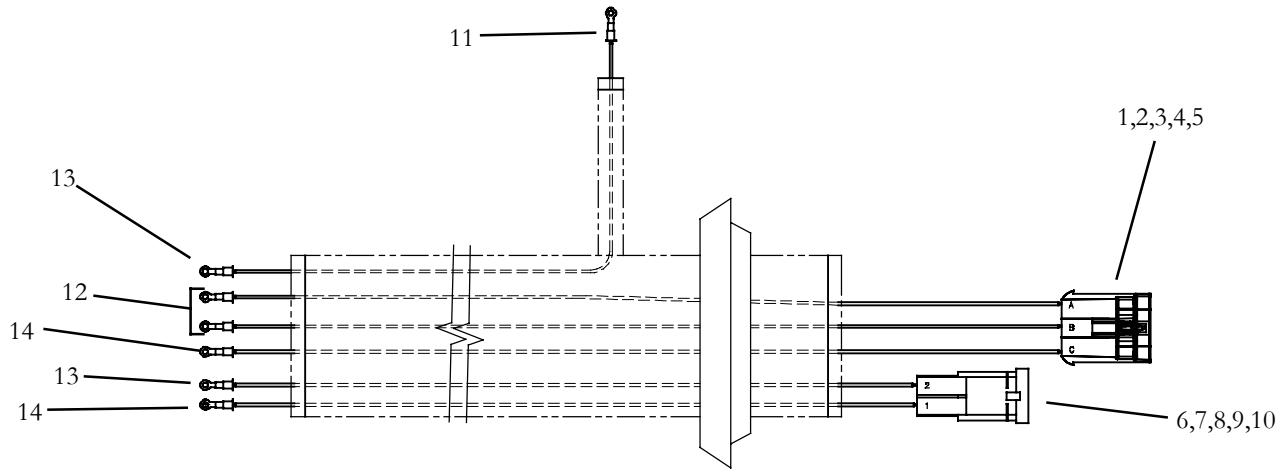
**1.5.2 EM7 GEN-V, Wire Harness 22-62286-00: OPTION 2**



Item	Part Number	Description	Qty
1	22-50099-37	Connector, Male, 2 Way, MP 280 Series, Unsealed	1
2	22-50099-37A	Terminal, Male, 16/18 AWG	2
3	22-50099-37D	Lock, Secondary	1
4	22-50099-32	Connector, Plug Housing, 3 Way, Molex	1
5	22-50099-32A	Terminal, Male, Molex 10/12 AWG	2
6	22-50099-32B	Terminal, Male, Molex, 8 AWG	1
7	22-00121-27	Terminal Ring #10, 22/18 AWG	2
8	22-00119-03	Terminal Ring #10, 12/10 AWG	2
9	22-00872-01	Terminal Ring #10, 8 AWG	1

**NOTE: Complete Wire Harnesses are Non-Stock Items. Replace Components are Listed.**

**1.5.2 EM7 GEN-V, Wire Harnesses 22-62247-00: OPTION 3**

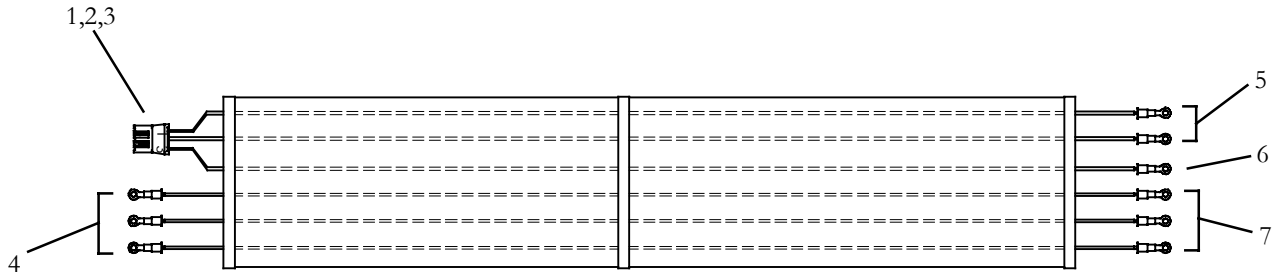


Item	Part Number	Description	Qty
1	22-50078-86	Connector, Male, M/P 630, 3 Way	1
2	22-50078-49A	Terminal, Male, 18 AWG	2
3	22-50078-49C	Terminal, Male, 12 AWG	1
4	22-50078-86B	Cable Seal	3
5	22-50078-86A	Lock, Secondary	1
6	22-50098-67	Connector, Male, Tyco, 2 Way	1
7	22-50098-67B	Terminal, Male, 8 AWG	1
8	22-50098-67A	Terminal, Male, 10/12 AWG	1
9	22-50098-67C	Cable Seal, 10/12 AWG	1
10	22-50098-67D	Cable Seal, 8 AWG	1
11	22-00872-03	Terminal, Ring 5/16", 8 AWG	2
12	22-00121-27	Terminal, Ring, #10 - 18 AWG	2
13	22-00872-01	Terminal, Ring, #10 - 8 AWG	2
14	22-00119-03	Terminal, Ring, #10 - 12/10 AWG	2



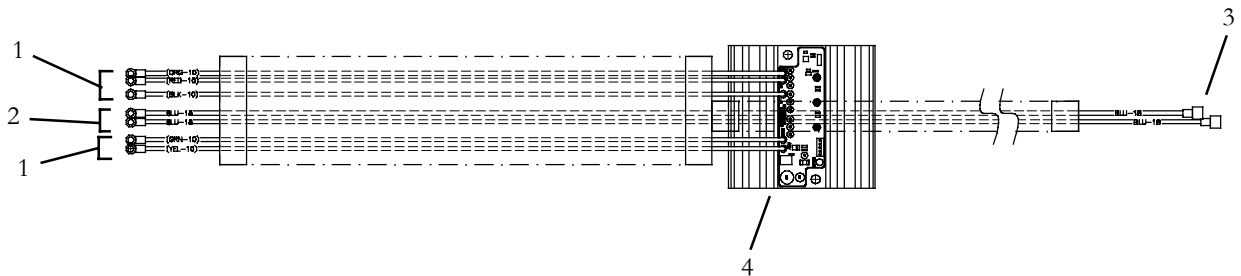
**NOTE: Complete Wire Harnesses are Non-Stock Items. Replace Components are Listed.**

**1.5.2 EM7 GEN-V, Wire Harness 22-62261-00: OPTION 4**



Item	Part Number	Description	Qty
1	Y31-00007-00	Connector, Female, Molex, 3 Way	1
2	Y31-00007-50	Terminal, Female, Molex, 18-20 AWG	2
3	Y31-00007-51	Terminal, Female, Molex, 14-16 AWG	1
4	22-01140-04	Terminal, Ring, 3/8", 12/10 AWG	3
5	22-00121-27	Terminal, Ring, #10 - 18 AWG	2
6	22-01139-02	Terminal, Ring, #10 - 14/16 AWG	1
7	22-01140-02	Terminal, Ring, #10 - 12/10 AWG	3

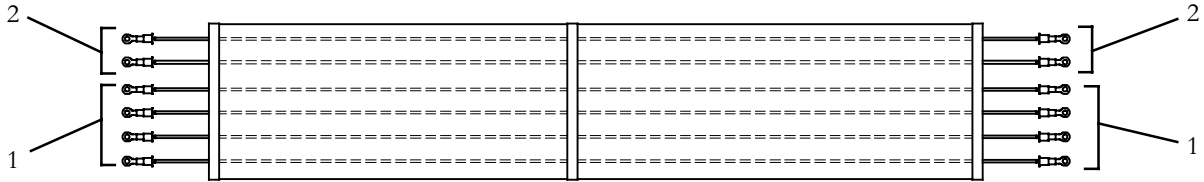
**1.5.2 EM7 GEN-V, Wire Harness 22-62099-00 & -01: OPTION 6**



Item	Part Number	Description	Qty
1	22-01140-02	Terminal Ring #10, 12/10 AWG	5
2	22-00121-27	Terminal Ring #10, 22/18 AWG	2
3	22-02245-02	Terminal, Female, Fully Insulated Faston Straight 1/4", 22/18 AWG	2/4
4	12-00533-00	Speed Controller w/ Harness	1

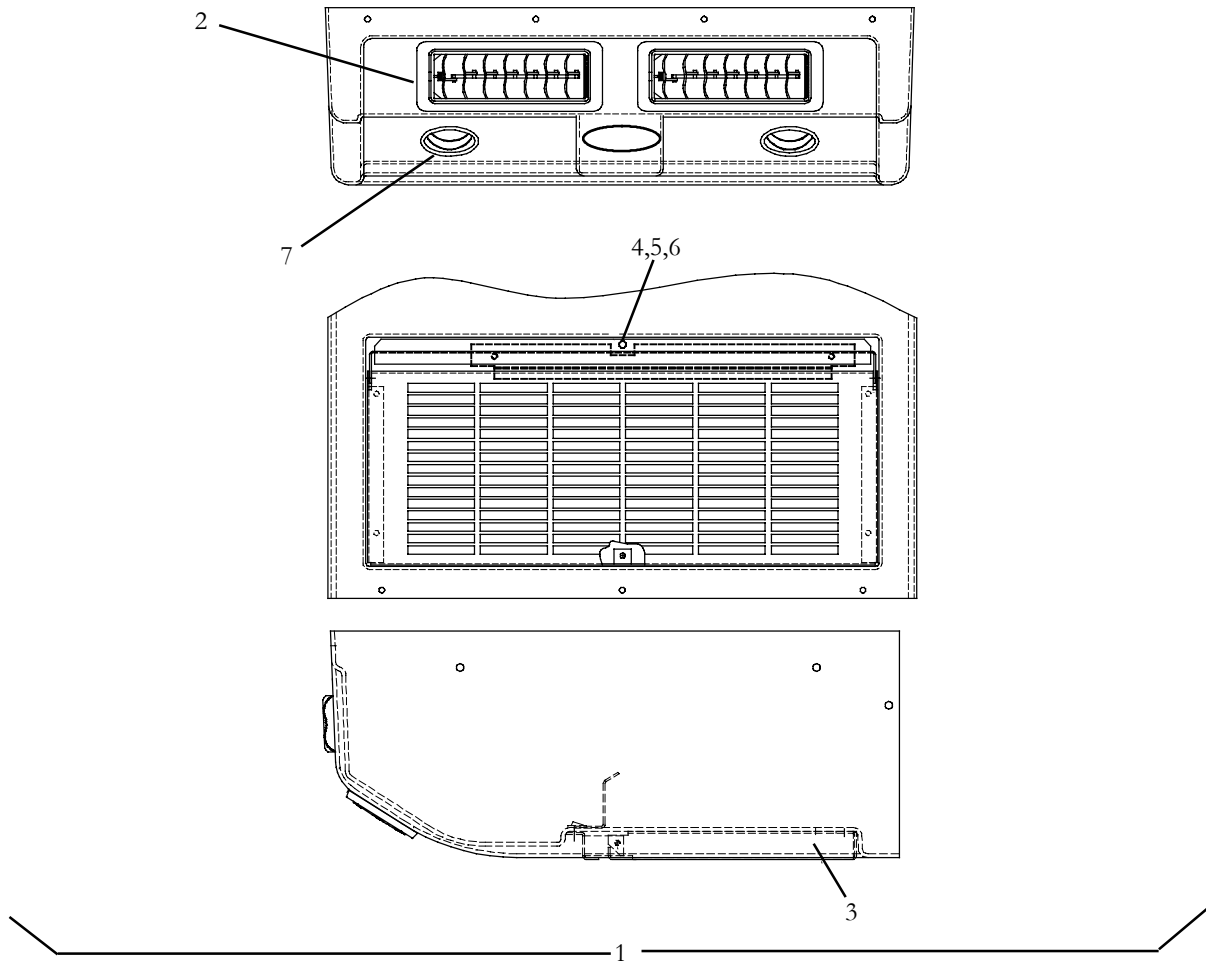
**NOTE: Complete Wire Harnesses are Non-Stock Items. Replace Components are Listed.**

**1.5.2 EM7 GEN-V, Wire Harness 22-62194-00: OPTION 7**



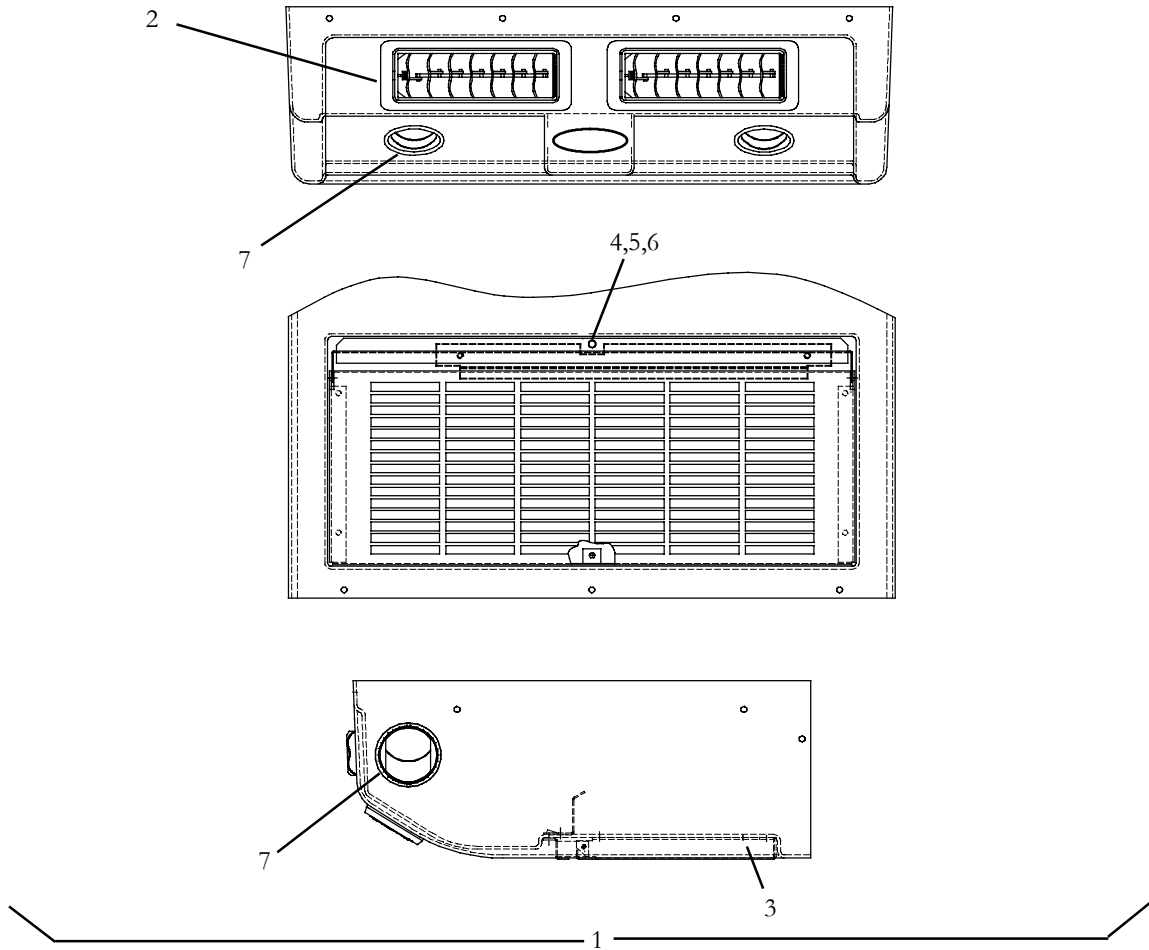
Item	Part Number	Description	Qty
1	22-01140-02	Terminal Ring #10, 10 AWG	8
2	22-00121-27	Terminal Ring #10, 22/18 AWG	4

**1.5.3 COVER ASSEMBLY, EM-7, GEN-V, REAR MOUNT : OPTION 1**



Item	Part Number	Description	Qty
1	79-62046-01	Cover Assembly, EM-7, Complete, Rear Mount, White - Includes:	1
	79-62046-02	Cover Assembly, EM-7, Complete, Rear Mount, Gray - Includes:	1
2	58-62042-00	.....Louver, Rectangle (8.0 X 3.0 Inches)	2
3	38-00573-03	.....Filter, Air, EM-7, GenV (20.65 X 9 Inches)	1
4	34-62019-00	.....Receptacle, 1/4 Turn	1
5	34-62020-00	.....Stud, 1/4 Turn, .25 Grip Range	1
6	34-06169-01	.....Washer, Retaining, .215 I. D.	1
7	58-62077-00	.....Louver, Adjustable, 3.00 Inch (Round)	2

**1.5.3 COVER ASSEMBLY, EM-7, GEN-V, SIDE MOUNT : OPTION 2**



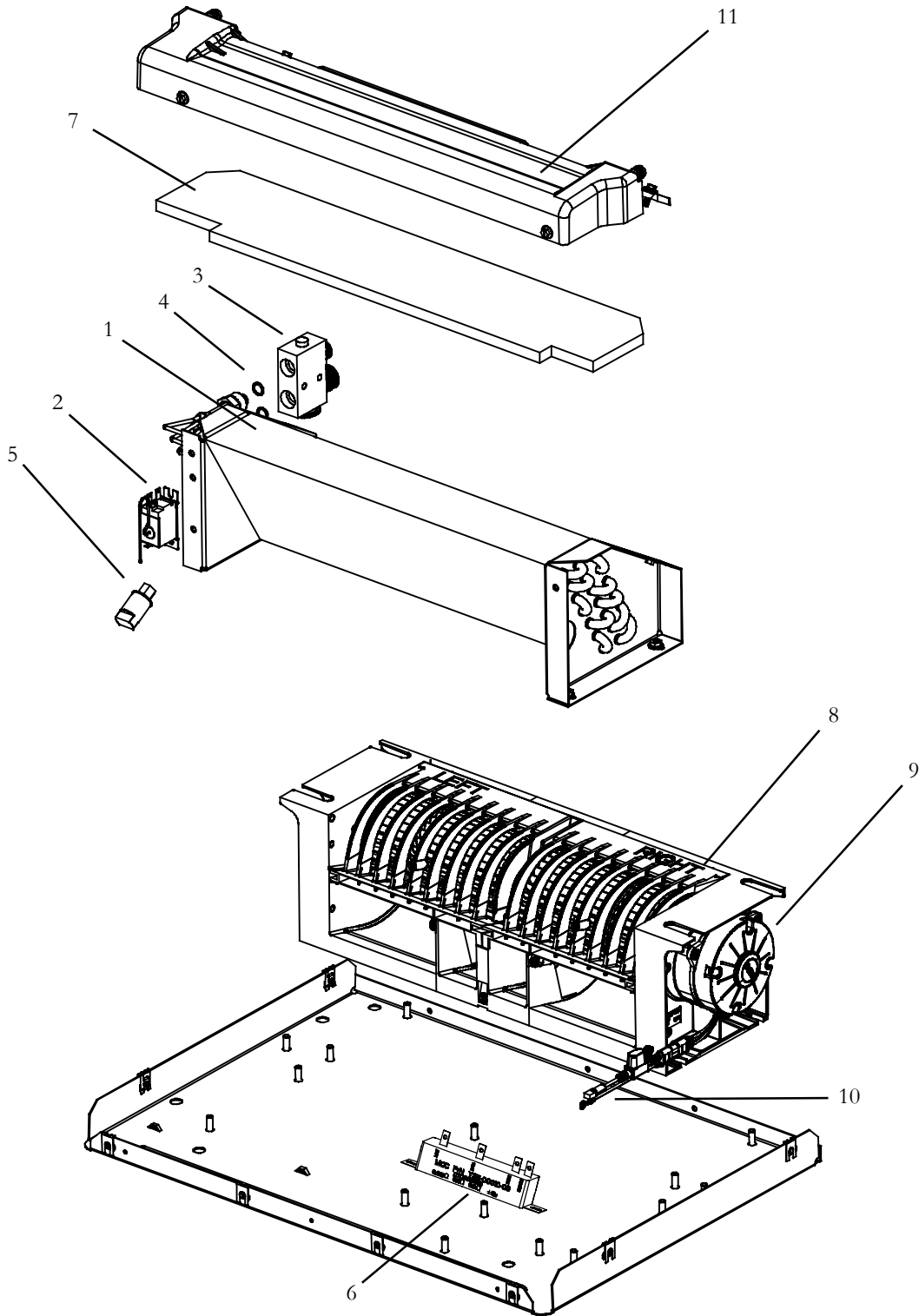
Item	Part Number	Description	Qty
1	79-62047-01	Cover Assembly, EM-7, Complete, Side Mount, White - Includes:	1
	79-62047-02	Cover Assembly, EM-7, Complete, Side Mount, Gray - Includes:	1
2	58-62042-00	.....Louver, Rectangle (8.0 X 3.0 Inches)	2
3	38-00573-03	.....Filter, Air, EM-7, GenV (20.65 X 9 Inches)	1
4	34-62019-00	.....Receptacle, 1/4 Turn	1
5	34-62020-00	.....Stud, 1/4 Turn, .25 Grip Range	1
6	34-06169-01	.....Washer, Retaining, .215 I. D.	1
7	58-62077-00	.....Louver, Adjustable, 3.00 Inch (Round)	4

**OPTION TABLE - EM7 - GEN VI**

<b>MODEL EM7 Y73-EM701</b>	<b>Cover Kit</b> (See Section 1.5.5)	<b>Chassis Kit</b> (See Section 1.5.4)	<b>Wire Harness</b> (See Section 1.5.6)
-21	1	1	1
-22	1	1	1
-23	2	1	1
-24	2	1	1
-31	1	1	1
-32	1	1	1
-41	1	1	1
-42	1	1	1
-44	1	1	1
-45	1	1	1
-47	1	1	1
-51	2	1	1
-52	2	1	1
-61	2	1	1
-62	2	1	1
-80	1	1	2
-81	1	1	2
-82	1	1	2
-83	1	1	2
-85	1	1	1
-91	2	1	3
-95	1	1	1
-96	1	1	1



1.5.4 EM-7, GEN-VI, 3 SPEED CHASSIS KITS Y73-EM701-00 thru -02 (COMMON PARTS): OPTION 1



**NOTE:** See Option Table and Section 1.5.6 For Y73-EM701-00 thru -02 Wire Harnesses

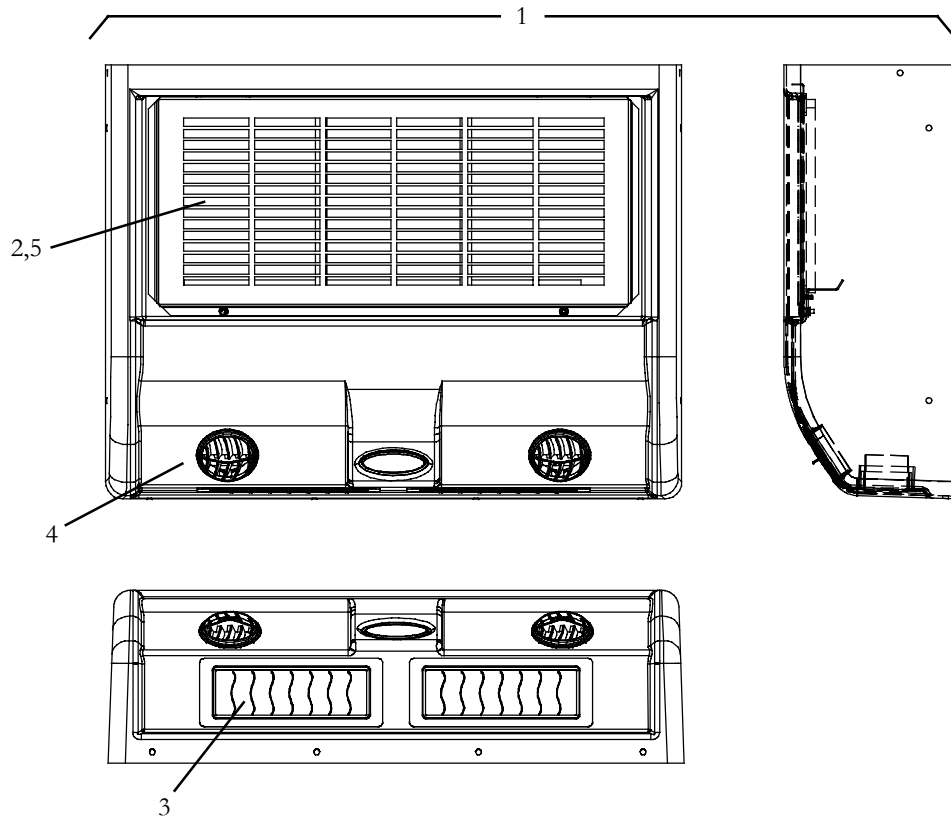




<b>1.5.4 EM-7, GEN-VI, 3 SPEED CHASSIS KITS Y73-EM701-00 thru -02 (COMMON PARTS) : OPTION 1- Cont:</b>			
<b>Item</b>	<b>Part Number</b>	<b>Description</b>	<b>Qty</b>
1	08-01068-02	Coil Assembly, Evaporator	1
2	12-00685-00	Thermostat	1
3	14-00397-00	Expansion Valve	1
4	AC801-202	O-Rings, 1/2" HN BR	2
5	AC201-412	Pressure Switch, Low	1
6	22-62169-00	Resistor, 220W/.820 Ohm	1
7	42-62140-02	Baffle, Evaporator	1
8	54-00646-02	Blower Assembly, 12VDC, Includes:	1
9	54-00646-50	Blower Motor, 12VDC	1
10	54-00646-62	Harness, Blower Motor, 12VDC	1
11	58-62186-02	Drain Pan	1



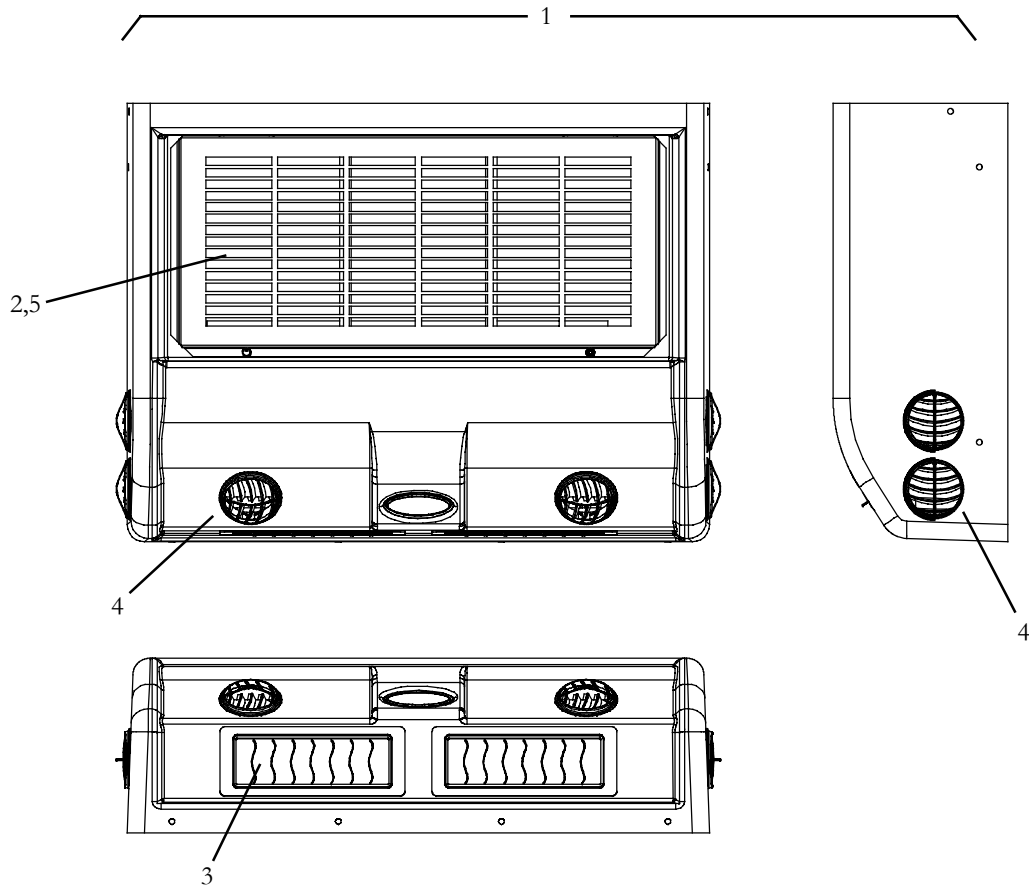
**1.5.5 EM-7, GEN-VI, COVER ASSEMBLY, REAR MOUNT : OPTION 1**  
 (Used on MODELS Y19-EM701-21,-22,-31,-32,-41,-42,-44,-45,-47,-80,-81,-82,-83,-85,-95 & -96)



Item	Part Number	Description	Qty
1	Y28-00027-00	Cover Assembly, Gray, (used on -22,-32,-42,-44,-47,-82,-83,-85 & -96)	1
	Y28-00027-01	Cover Assembly, White, (used on -21,-31,-41,-45,-80,-81 & -95)	1
2	38-00573-03	Filter, Air	1
3	58-62042-00	Diffuser, Air, Adjustable Rectangular	4
4	Y23-00002-00	Louver, 2.5" Fixed Vane	2
5	Y24-00110-00	Grille, Return Air	1



1.5.5 EM-7, GEN-VI, COVER ASSEMBLY, SIDE MOUNT: OPTION 2  
(Used on MODELS Y19-EM701-23,-24,-51,-52,-61,-62, & -91)

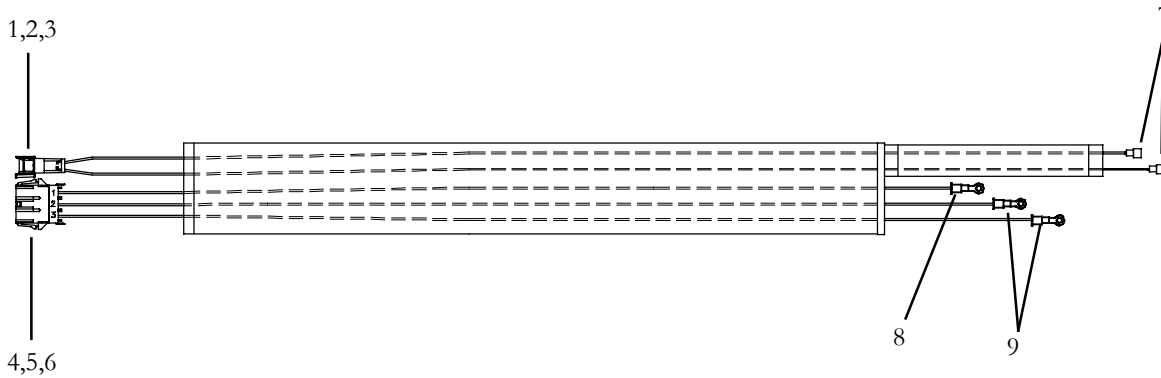


Item	Part Number	Description	Qty
1	Y28-00027-02	Cover Assembly, Gray, (used on -23,-52,-62 & -91))	1
	Y28-00027-03	Cover Assembly, White, (used on -24,-51 & -61)	1
2	38-00573-03	Filter, Air	1
3	58-62042-00	Diffuser, Air, Adjustable Rectangular	4
4	Y23-00002-00	Louver, 2.5" Fixed Vane	6
5	Y24-00110-00	Grille, Return Air	1



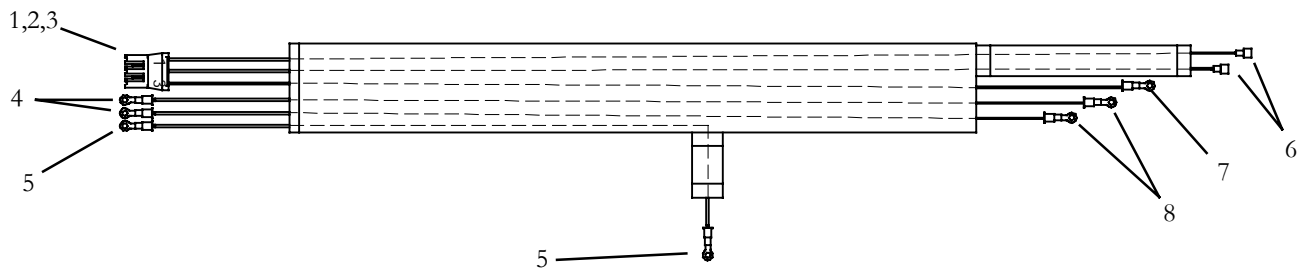
**NOTE: Complete Wire Harnesses are Non-Stock Items. Replace Components are Listed.**

**1.5.6 EM7 GEN-VI, Wire Harness 22-62303-00: OPTION 1**



Item	Part Number	Description	Qty
1	22-50099-37	Connector, Male, MP 280 Series, Unsealed	1
2	22-50099-37A	Terminal, Male, 16/18 AWG	2
3	22-50099-37D	Lock, Secondary	1
4	22-50099-32	Connector, Plug Housing, 3 Way, Molex	1
5	22-50099-32A	Terminal, Male, Molex 10/12 AWG	2
6	22-50099-32B	Terminal, Male, Molex, 8 AWG	1
7	22-02245-02	Terminal, Female, Fully Insulated, 22/18 AWG	2
8	22-02245-01	Terminal, Ring, #10 - 8 AWG	1
9	22-01140-02	Terminal, Ring, #10 - 12/10 AWG	2

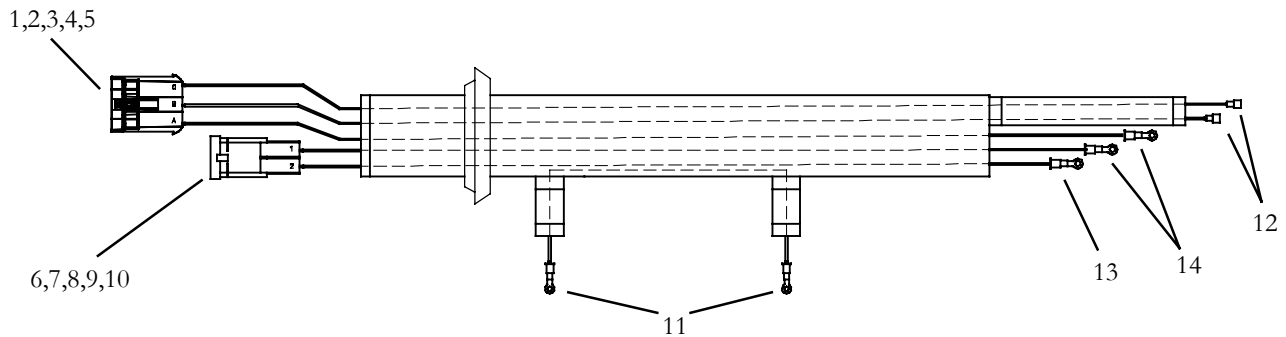
**1.5.6 EM7 GEN-VI, Wire Harness 22-62303-01: OPTION 2**



Item	Part Number	Description	Qty
1	Y31-00007-00	Connector, Female, Molex, 3 Way	1
2	Y31-00007-50	Terminal, Female, Molex, 18-20 AWG	2
3	Y31-00007-51	Terminal, Female, Molex, 14-16 AWG	1
4	22-01140-04	Terminal, Ring 3/8", 12/10 AWG	2
5	22-00872-03	Terminal, Ring 5/16", 8 AWG	2
6	22-02245-02	Terminal, Female, Fully Insulated, 22/18 AWG	2
7	22-01139-02	Terminal, Ring, #10 - 14/16 AWG	1
8	22-01140-02	Terminal, Ring, #10 - 12/10 AWG	2

**NOTE: Complete Wire Harnesses are Non-Stock Items. Replace Components are Listed.**

**1.5.6 EM7 GEN-VI, Wire Harness 22-62303-02: OPTION 3**



Item	Part Number	Description	Qty
1	22-50078-86	Connector, Male, M/P 630, 3 Way	1
2	22-50078-49A	Terminal, Male, 18 AWG	2
3	22-50078-49C	Terminal, Male, 12 AWG	1
4	22-50078-86B	Cable Seal	3
5	22-50078-86A	Lock, Secondary	1
6	22-50098-67	Connector, Male, Tyco, 2 Way	1
7	22-50098-67B	Terminal, Male, 8 AWG	1
8	22-50098-67A	Terminal, Male, 10/12 AWG	1
9	22-50098-67C	Cable Seal, 10/12 AWG	1
10	22-50098-67D	Cable Seal, 8 AWG	1
11	22-00872-03	Terminal, Ring 5/16", 8 AWG	2
12	22-02245-02	Terminal, Female, Fully Insulated, 22/18 AWG	1
13	22-00872-01	Terminal, Ring, #10 - 8 AWG	1
14	22-01140-02	Terminal, Ring, #10 - 12/10 AWG	2

**SECTION 1.6 EM-9 EVAPORATORS**
**OPTION TABLE - EM9 - GEN IV,  
12 VDC - 3 Speed**

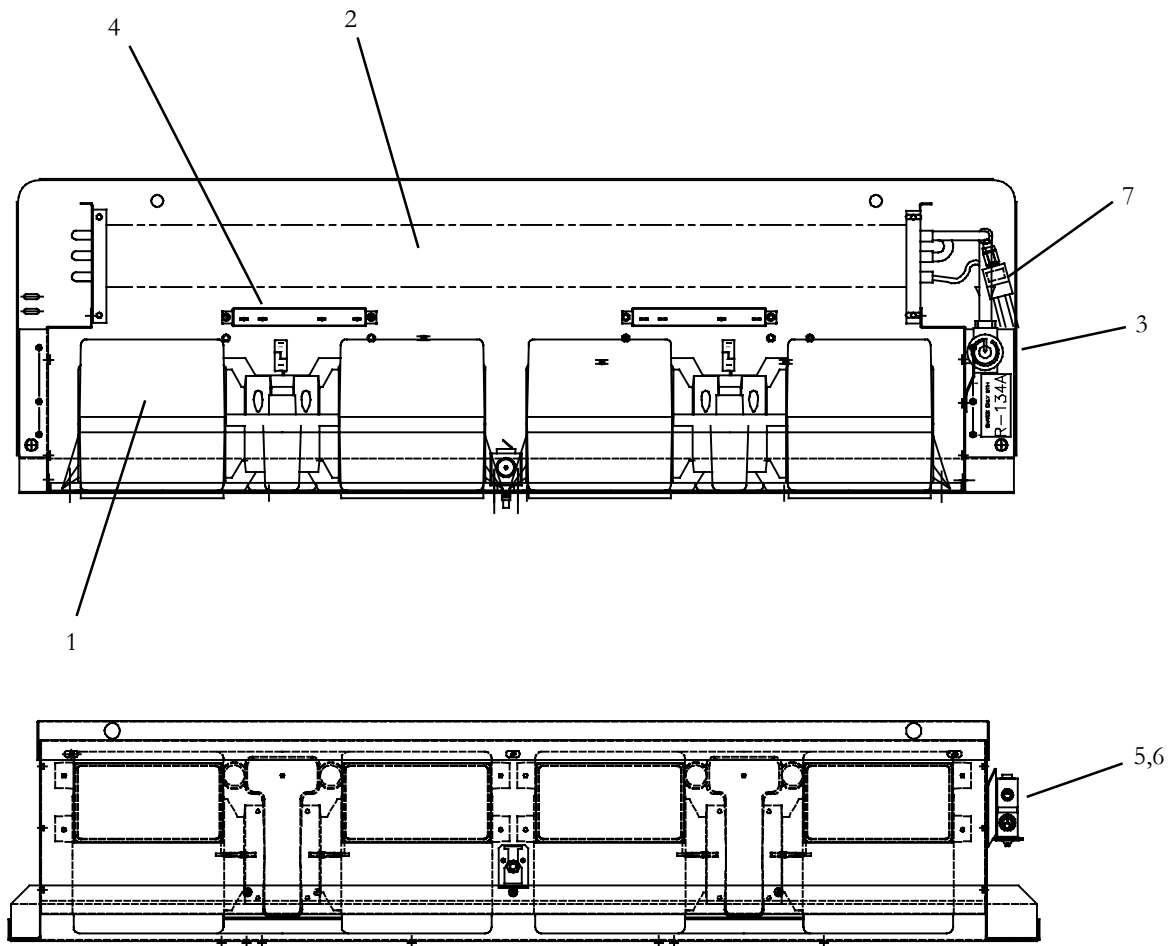
<b>MODEL EM9 Gen IV 77-62180</b>	<b>Cover Kit</b> (see Section 1.6.3)	<b>Chassis Kit</b> (see Section 1.6.1)	<b>Wire Harness</b> (see Section 1.6.2)
-00	-	1	1
-01	-	1	1
-10	1	1	2
-11	2	1	2
-12	1	1	2
-13	2	1	2
-20	2	1	2
-30	-	1	2
-31	-	1	2
-40	1	1	2
-41	3	1	2
-42	2	1	2
-90	-	1	2
-91	-	1	2

**OPTION TABLE - EM9 - GEN IV  
24 VDC - 3 Speed**

<b>MODEL EM9 Gen IV 77-62180</b>	<b>Cover Kit</b> (see Section 1.6.3)	<b>Chassis Kit</b> (see Section 1.6.1)	<b>Wire Harness</b> (see Section 1.6.2)
-05	-	1	1
-06	-	1	1
-15	1	1	1
-16	2	1	1
-35	-	1	1
-36	-	1	1
-95	-	1	2
-96	-	1	2

NOTE: Units marked with a dash in matrix “Cover Kit” are supplied with evaporator grille and air filter only.

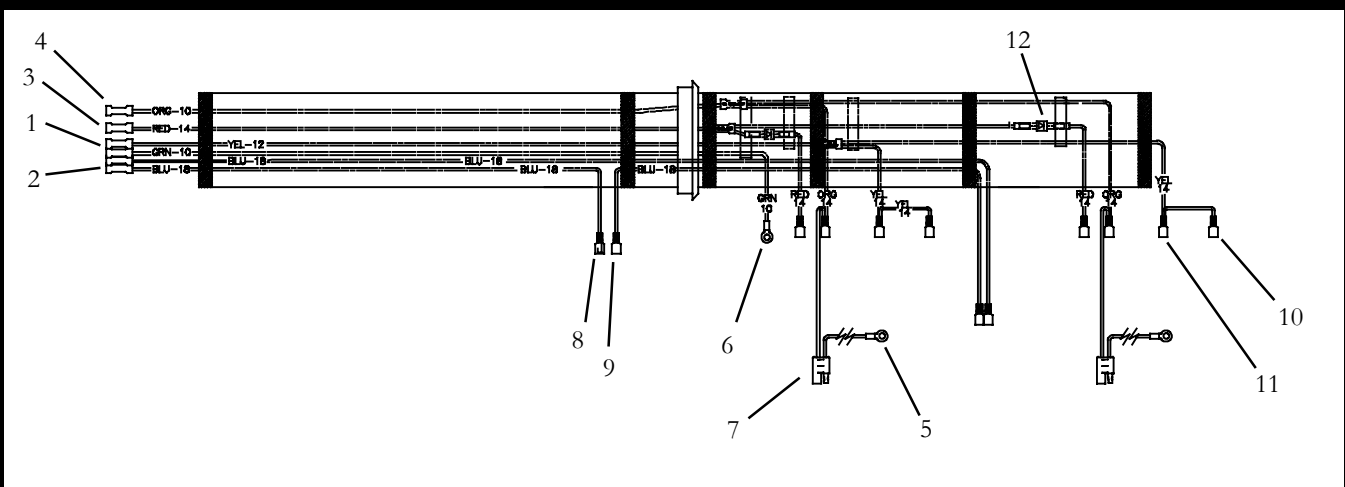
**1.6.1 EVAPORATOR, EM-9, GEN IV, SIDE MOUNT, DUCTED (Common Parts): OPTION 1**



Item	Part Number	Description	Qty
1	AC401-232	.....Blower Assembly, 12 VDC	2
	AC401-233	.....Blower Assembly, 24 VDC	2
2	08-62066-00	Coil, Evaporator, EM-9, 3 Row, Without Heat	1
	08-62065-00	Coil, Evaporator/Heater, EM-9, 3/1 Row, With Heat	1
3	AC201-501	Thermostat, Freeze-Up	1
4	76-62019-00	Resistor Kit, (1.8 Ohm, 4 Prong)	2
5	14-00397-00	Valve, Thermal Expansion, Block	1
6	AC801-202	O-Ring, 1/2 Inch HNBR	2
7	AC201-412	Switch, Low Pressure	1
8	AC801-416	Gasket, Foam, 1/8 X 12-3/4 X 300 Ft.	1

**NOTE: Complete Wire Harnesses are Non-Stock Items. Replace Components are Listed.**

**1.6.2 EM9 GEN-IV, Wire Harness 22-62226-00: OPTION 1**

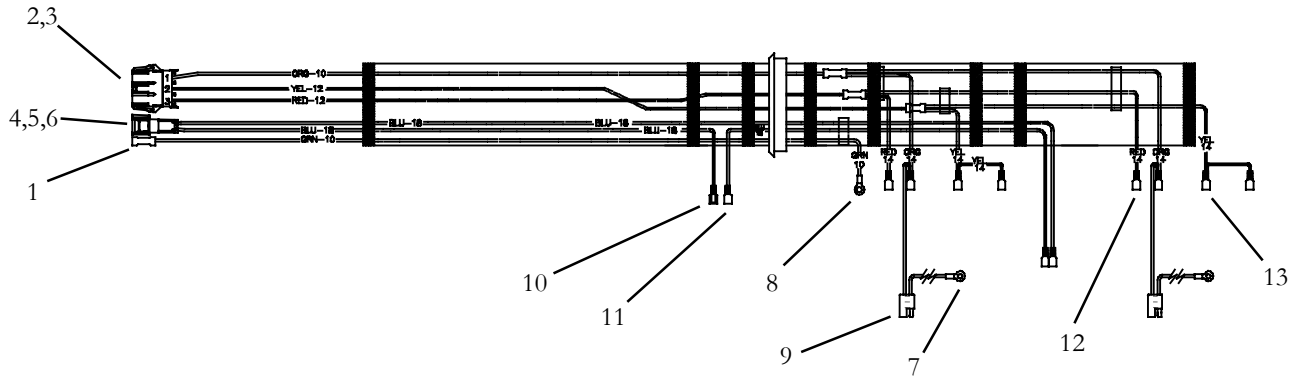


Item	Part Number	Description	Qty
1	22-00066-03	Terminal, Butt Splice, 10/12 AWG	2
2	22-00066-01	Terminal, Butt Splice, 22/18 AWG	2
3	N/A	Terminal, Butt Splice, Step Down, 14/16 AWG to 10/12 AWG	1
4	N/A	Terminal, Butt Splice, Step Down, 8 AWG to 10/12 AWG	1
5	N/A	Terminal Ring, #8 - 14/16 AWG	2
6	N/A	Terminal Ring, #8 - 10/12 AWG	1
7	AC201-905	Connector Assembly	2
8	22-01502-00	Terminal, Male, Push-on, Insulated, 1/4" - 22/18 AWG	1
9	22-02245-02	Terminal, Female, Push-on, Insulated, 1/4" - 22/18 AWG	3
10	N/A	Terminal, Female, Push-on, Insulated, 1/4" - 16/14 AWG	4
11	31-1247	Terminal, Female, Push-on, Insulated, 1/4" - 12/10 AWG	4
12	AC201-600	Diode, 6 Amp, 250V	2



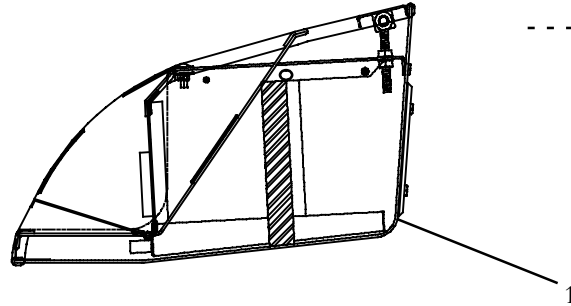
**NOTE: Complete Wire Harnesses are Non-Stock Items. Replace Components are Listed.**

**1.6.2 EM9 GEN-IV, Wire Harness 22-62279-00: OPTION 2**

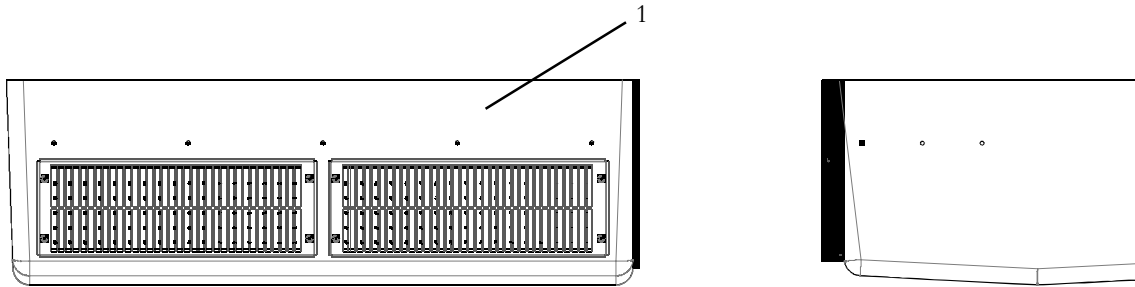


Item	Part Number	Description	Qty
1	22-00066-03	Terminal, Butt Splice, 10/12 AWG	2
2	22-50099-32	Connector, Plug Housing, 3 Way	1
3	22-50099-32A	Terminal, Male, 10/12 AWG	3
4	22-50099-37	Connector, Male, Unsealed, Metri-Pack 280	1
5	22-50099-37A	Terminal, Male, 16/18 AWG	2
6	22-50099-37D	TPA	1
7	N/A	Terminal Ring, #8 - 14/16 AWG	2
8	N/A	Terminal Ring, #8 - 10/12 AWG	1
9	AC201-905	Connector Assembly	2
10	22-01502-00	Terminal, Male, Push-on, Insulated, 1/4" - 22/18 AWG	1
11	22-02245-02	Terminal, Female, Push-on, Insulated, 1/4" - 22/18 AWG	3
12	N/A	Terminal, Female, Push-on, Insulated, 1/4" - 16/14 AWG	4
13	31-1247	Terminal, Female, Push-on, Insulated, 1/4" - 12/10 AWG	4

**1.6.3 EVAPORATOR, EM-9, GEN 4, SIDE MOUNT, DUCTED , COVERS**



OPTIONS 1 & 2



OPTION 3

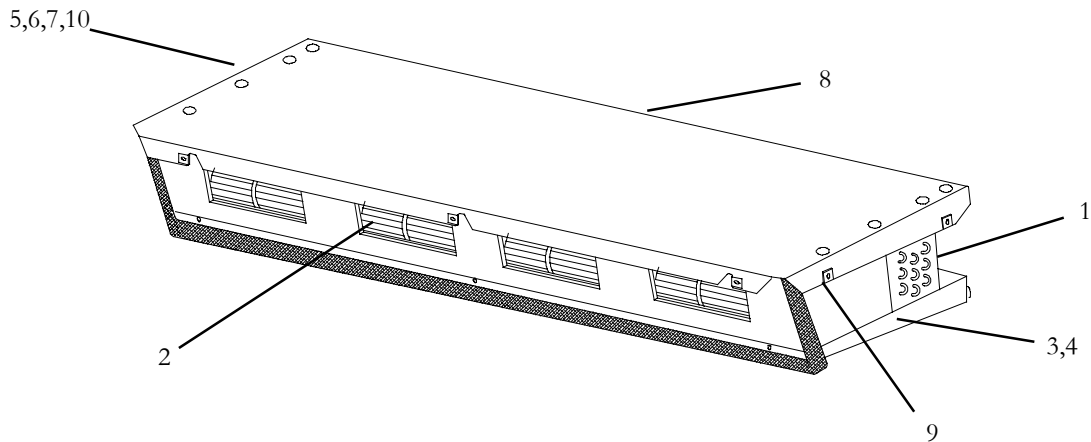
Item	Part Number	Description	Qty
1	N/A	Cover Assembly, White <b>(Option 1)</b>	1
	AC021-366	Cover Assembly, Gray <b>(Option 2)</b>	1
	Y28-00007-00	Cover Assembly, Gray, TBB <b>(Option 3)</b>	1
2	AC021-190-1	Grille, Evaporator	2
	AC021-190-2	Grille, Evaporator, Gray	2
3	38-00558-00	Filter, Air	2

**SECTION 1.7 EM-14 EVAPORATORS**
**OPTION TABLE - EM14 - GEN IV,  
12 VDC - 3 Speed**

<b>MODEL EM14 Gen IV 77-62181</b>	<b>Cover Kit</b> <small>(see Section 1.7.3)</small>	<b>Chassis Kit</b> <small>(see Section 1.7.1)</small>	<b>Wire Harness</b> <small>(see Section 1.7.2)</small>
-00	-	1	1
-01	-	1	1
-02	-	1	1
-03	-	1	1
-10	1 & 2	1	1
-11	1 & 2	1	1
-12	1 & 2	1	2
-13	1 & 2	1	2
-20	1 & 2	1	1
-30	1 & 2	1	1
-31	1 & 2	1	1
-32	1 & 2	1	2
-50	1 & 3	1	1
-51	1 & 3	1	1
-53	1 & 3	1	2
-70	1 & 2	1	1
-80	-	1	1

**OPTION TABLE - EM14 - GEN IV  
24 VDC - 3 Speed**

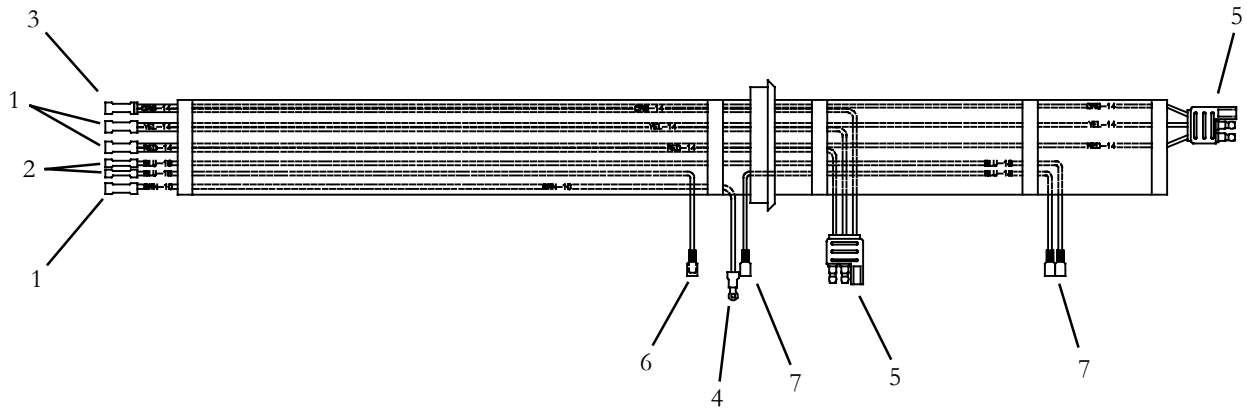
<b>MODEL EM14 Gen IV 77-62181</b>	<b>Cover Kit</b> <small>(see Section 1.7.3)</small>	<b>Chassis Kit</b> <small>(see Section 1.7.1)</small>	<b>Wire Harness</b> <small>(see Section 1.7.2)</small>
-05	-	1	1
-06	-	1	1
-07	-	1	1
-15	1 & 2	1	1
-16	1 & 2	1	1

**SECTION 1.7 EM-14 EVAPORATORS**
**1.7.1 EVAPORATOR, EM-14, GEN 4 SERIES, FREE BLOW , REAR & SIDE MOUNT (Common Parts): OPTION 1**


Item	Part Number	Description	Qty
1	08-62064-00	Coil Assembly, With Low Pressure Switch Connection	1
	08-62063-00	Coil Assembly, With Heat, With Low Pressure Switch Connection	1
2	AC401-203	Blower Assembly, 12 VDC	2
	AC401-204	Blower Assembly, 24 VDC	2
3	79-62129-00	Drain Pan, Assembly, (Foamed)	1
4	AC022-746	Baffle, Foam, EM-14 Drain Pan	1
5	AC201-501	Thermostat, Freeze-Up	1
6	14-00397-00	Valve, Thermal Expansion, R134a	1
7	AC801-202	O-Ring, 1/2 Inch	2
8	AC801-461	Filter, return Air, 28-1/2 X 5 Inches	1
9	AC701-123	Tinnerman Clip, Hi-Torque #10AB	7
10	AC201-412	Switch, Low Pressure	1

**NOTE: Complete Wire Harnesses are Non-Stock Items. Replace Components are Listed.**

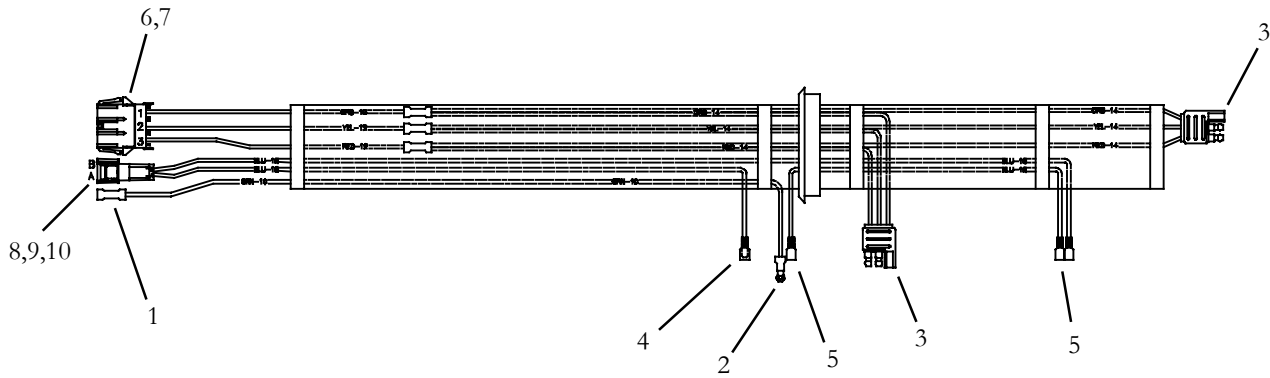
**1.7.2 EM14, Wire Harness 22-62223-00: OPTION 1**



Item	Part Number	Description	Qty
1	22-00066-03	Terminal, Butt Splice, 10/12 AWG	3
2	22-00066-01	Terminal, Butt Splice, 22/18 AWG	2
3	N/A	Terminal, Butt Splice, Step Down, 8 AWG to 10/12 AWG	1
4	22-01140-02	Terminal Ring, #10 - 10/12 AWG	1
5	22-62002-00	Connector Assembly	2
6	22-01502-00	Terminal, Male, Push-on, Insulated, 1/4" - 22/18 AWG	1
7	22-01258-01	Terminal, Female, Push-on, Insulated, 1/4" - 22/18 AWG	3

**NOTE: Complete Wire Harnesses are Non-Stock Items. Replace Components are Listed.**

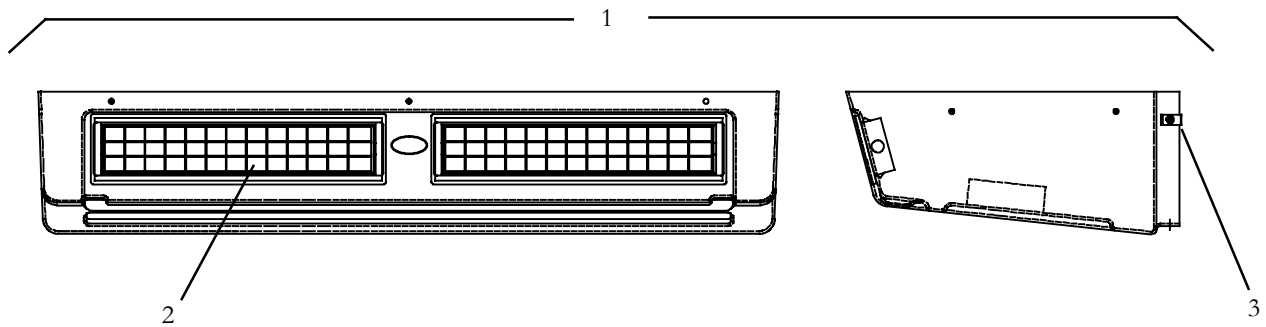
**1.7.2 EM14, Wire Harness 22-62285-00: OPTION 2**



Item	Part Number	Description	Qty
1	22-00066-03	Terminal, Butt Splice, 10/12 AWG	1
2	22-01140-02	Terminal Ring, #10 - 10/12 AWG	1
3	22-62002-00	Connector Assembly	2
4	22-01502-00	Terminal, Male, Push-on, Insulated, 1/4" - 22/18 AWG	1
5	22-01258-01	Terminal, Female, Push-on, Insulated, 1/4" - 22/18 AWG	3
6	22-50099-32	Connector, Plug Housing 3-Way, Molex	1
7	22-50099-32A	Terminal, Male 10/12 AWG, Molex	3
8	22-50099-37	Connector, Male Unsealed, M/P 280 Series	1
9	22-50099-37A	Terminal, Male, 16/18 AWG	2
10	22-50099-37D	TPA	1

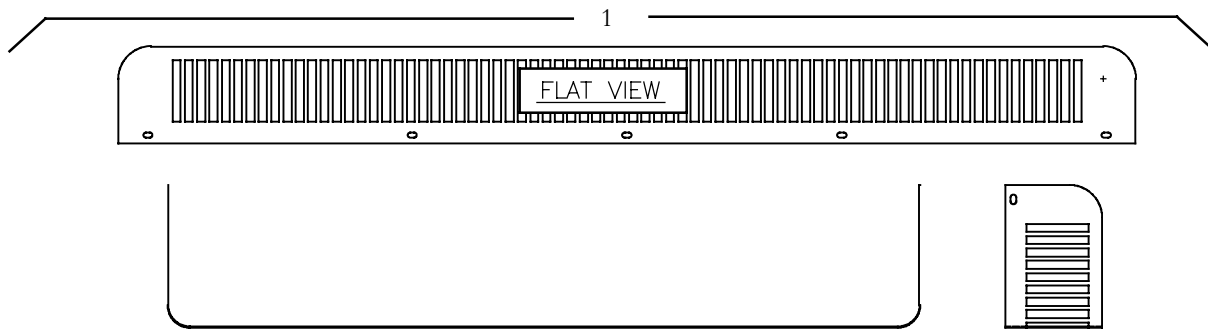


**1.7.3 EVAPORATOR, EM-14, FREE BLOW, REAR & SIDE MOUNT COVER ASSEMBLY, OPTION 1**



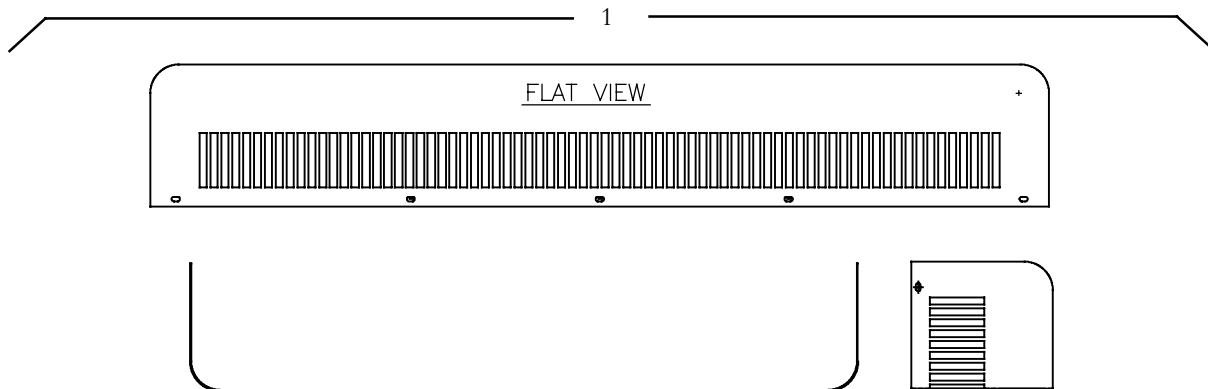
Item	Part Number	Description	Qty
1	N/A	Cover Assembly, EM14, White, Includes:	1
	79-62070-01	Cover Assembly, EM14, Gray, Includes	1
2	AC401-320	Diffuser, Air	2
3	AC701-106	Clip, Tinnerman, 1/4" - 20	2

**1.7.3 EVAPORATOR, EM-14, FREE BLOW, REAR MOUNT GRILLE, RETURN AIR, OPTION 2**



Item	Part Number	Description	Qty
1	AC022-254	Grill, Return Air, Rear Mount	1

**1.7.3 EVAPORATOR, EM-14, FREE BLOW, SIDE MOUNT GRILLE, RETURN AIR, OPTION 3**



Item	Part Number	Description	Qty
1	AC022-296	Grill, Return Air, Side Mount	1

**SECTION 1.8 EM-17 EVAPORATORS**
**OPTION TABLE - EM17 - GEN IV,  
24 VDC - Manual Control**

<b>MODEL EM17 Gen IV 77-62000</b>	<b>Chassis Kit</b> <small>(see Section 1.8.1)</small>	<b>Wire Harness</b> <small>(see Section NO TAG)</small>
-10	3	2
-20	1	2
-22	1	2
-24	1	2
-30	4	1

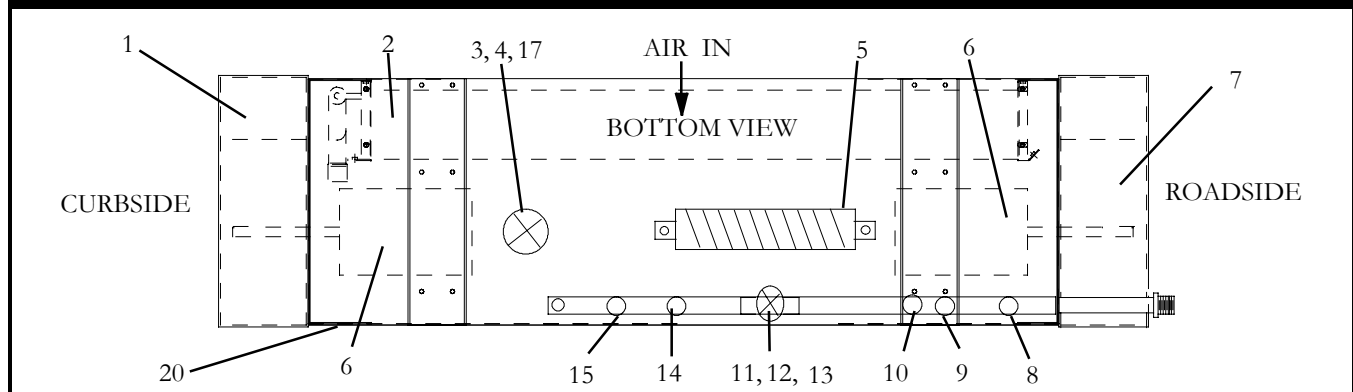
**OPTION TABLE - EM17 - GEN IV  
24 VDC - Enviromate**

<b>MODEL EM17 Gen IV Y19-E1701</b>	<b>Chassis Kit</b> <small>(see Section 1.8.1)</small>	<b>Wire Harness</b> <small>(see Section NO TAG)</small>
-00	3	2

**OPTION TABLE - EM17 - GEN IV  
24 VDC - Enviromate**

<b>MODEL EM17 Gen IV Y19-E1702</b>	<b>Chassis Kit</b> <small>(see Section 1.8.1)</small>	<b>Wire Harness</b> <small>(see Section NO TAG)</small>
-00	4	1

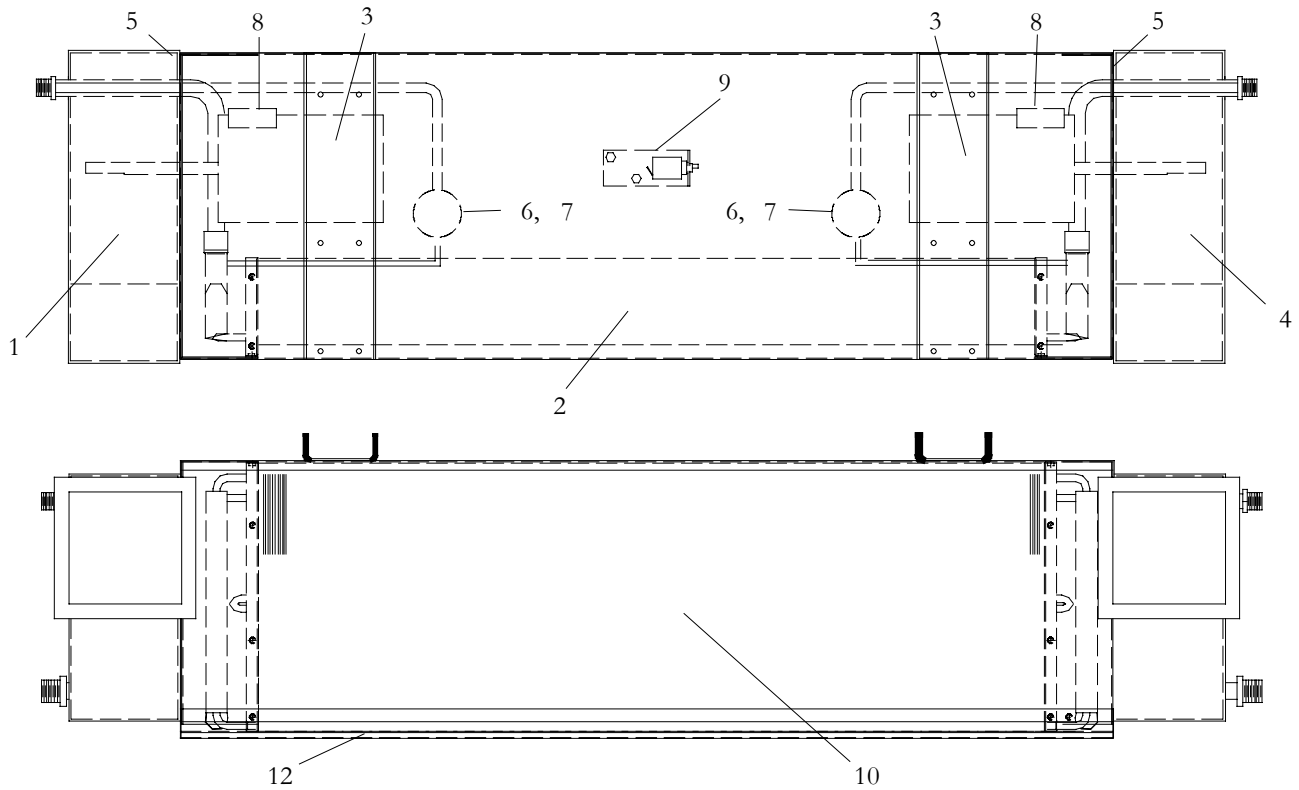


**SECTION 1.8 EM-17 EVAPORATORS**
**1.8.1 EVAPORATOR, EM-17, SINGLE LOOP, GEN 4 SERIES : OPTION 1**


Item	Part Number	Description	Qty
1	AC401-215	Blower Wheel, (Roadside)	1
2	21-2041	Coil Assembly, Evaporator, Cool Only <b>(Was 08-62006-00)</b>	1
	08-62023-00	Coil Assembly, Evaporator, With Heat	1
3	66U1-1214-5	Flange, Body, (TXV)	1
4	14-01104-39	Valve, Thermal Expansion, R134a	1
5	22-01584-00	Resistor, With Bracket, (420 Watts)	1
6	AC501-122	Motor, Evaporator, (Lesson) - Includes:	2
N/S	22-50091-00	.....Brush, Motor	2
N/S	04-50023-00	.....Bearing, Motor	2
7	AC401-220	Blower Wheel, (Curbside)	1
8	12-00299-02	Switch, Pressure, UPS3	1
9	12-00299-18	Switch, Pressure, CFS1	1
10	12-00299-09	Switch, Pressure, CFS2	1
11	AC101-422	Valve, Solenoid, 5/8 Inch, Less Coil	1
12	22-50030-00	Coil, Solenoid, 24 VDC	1
13	14-50047-00	Repair Kit For Solenoid Valve AC101-422	1
14	12-00334-03	Switch, Pressure, UPS1. (R134a)	1
15	12-00334-02	Switch, Pressure, UPS2, (R134a)	1
16	AC801-443	Filter, Return Air (41.5" X 12.5")	1
17	AC021-344	Equalizer Tube, TXV	1
18	40-00491-15	Fitting, ORS, #10 X 2.11 X 5/8 Tube	1
19	40-00491-01	Fitting, ORS, #20 X 1.70 X 1-1/8 Tube	1
20	AC022-314	Baffle, Drain Pan	1



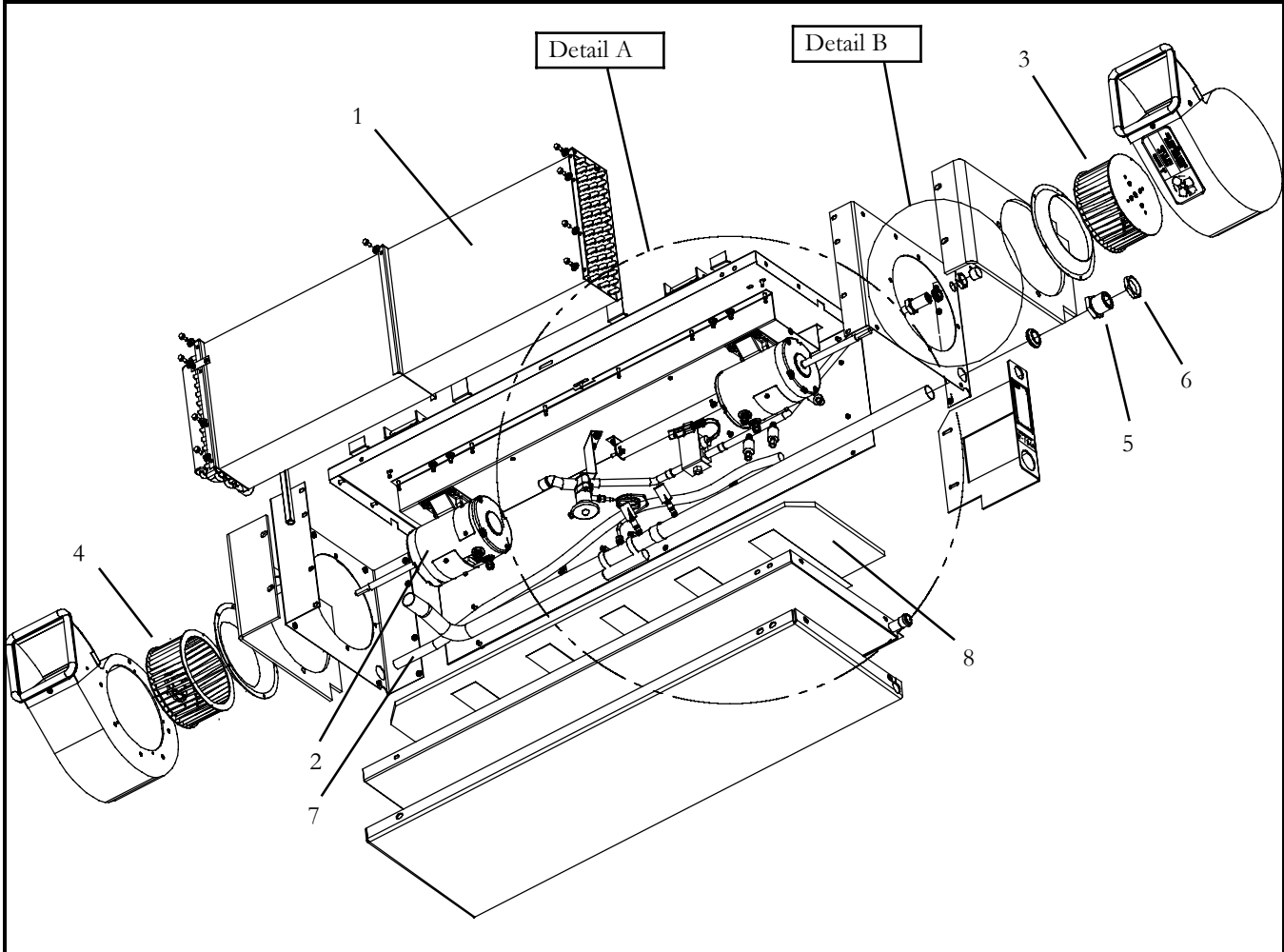
**1.8.1 EVAPORATOR, EM-17, DUAL LOOP, GEN 4 SERIES : OPTION 2**



Item	Part Number	Description	Qty
1	AC401-215	Blower Wheel, Right, (Roadside)	1
2	N/A	Coil Assembly, Split	1
3	AC501-122	Motor, Evaporator, (Leeson) - Includes:	2
N/S	22-50091-00	.....Brush, Motor	2
N/S	04-50023-00	.....Bearing, Motor	2
4	AC401-220	Blower Wheel, (CurbSide),	1
5	AC401-217	Venturi Ring	2
6	66U1-1214-5	Flange Body, 1/2 ODF X 5/8 ODF, (TXV)	2
7	14-01104-37	Valve, Thermal Expansion, 2.5 Ton, No-MOP	2
8	12-00299-01	Switch, Pressure, Low	2
9	AC201-501	Thermostat, Freeze-Up, Dual Sensor	1
10	AC801-443	Filter, Return Air (41.5 X 12.5 Inches)	1
11	56-62123-00	Tube, Equalizer	1
12	AC022-314	Baffle, Drain Pan	1



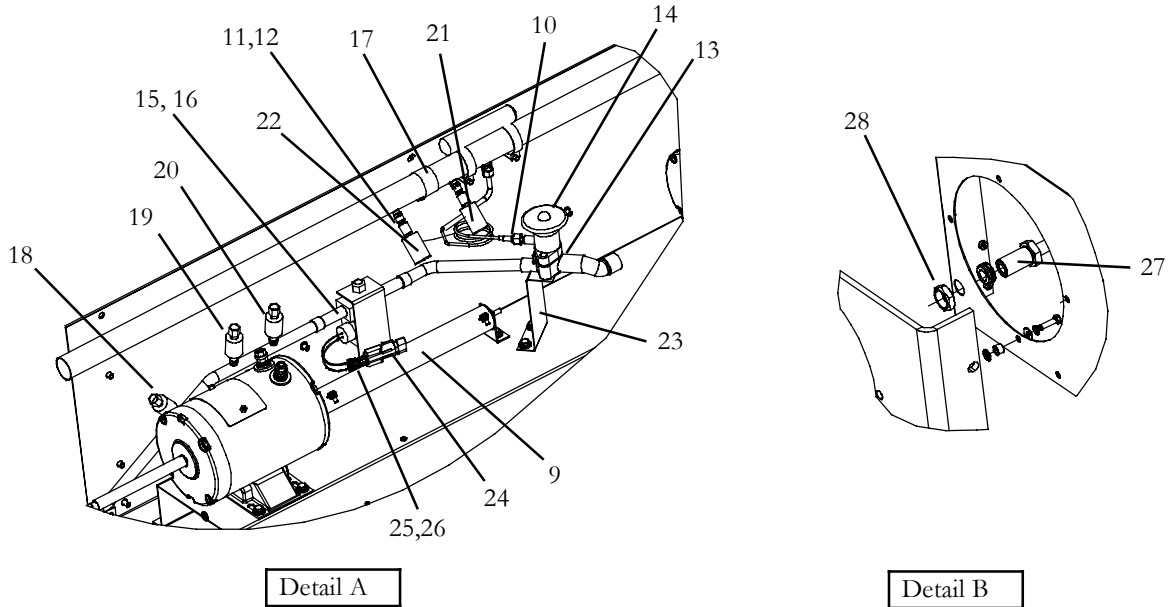
1.8.1 EVAPORATOR, EM-17, CHASSIS KITS 77-62000-11 & Y53-E1701-00: OPTION 3



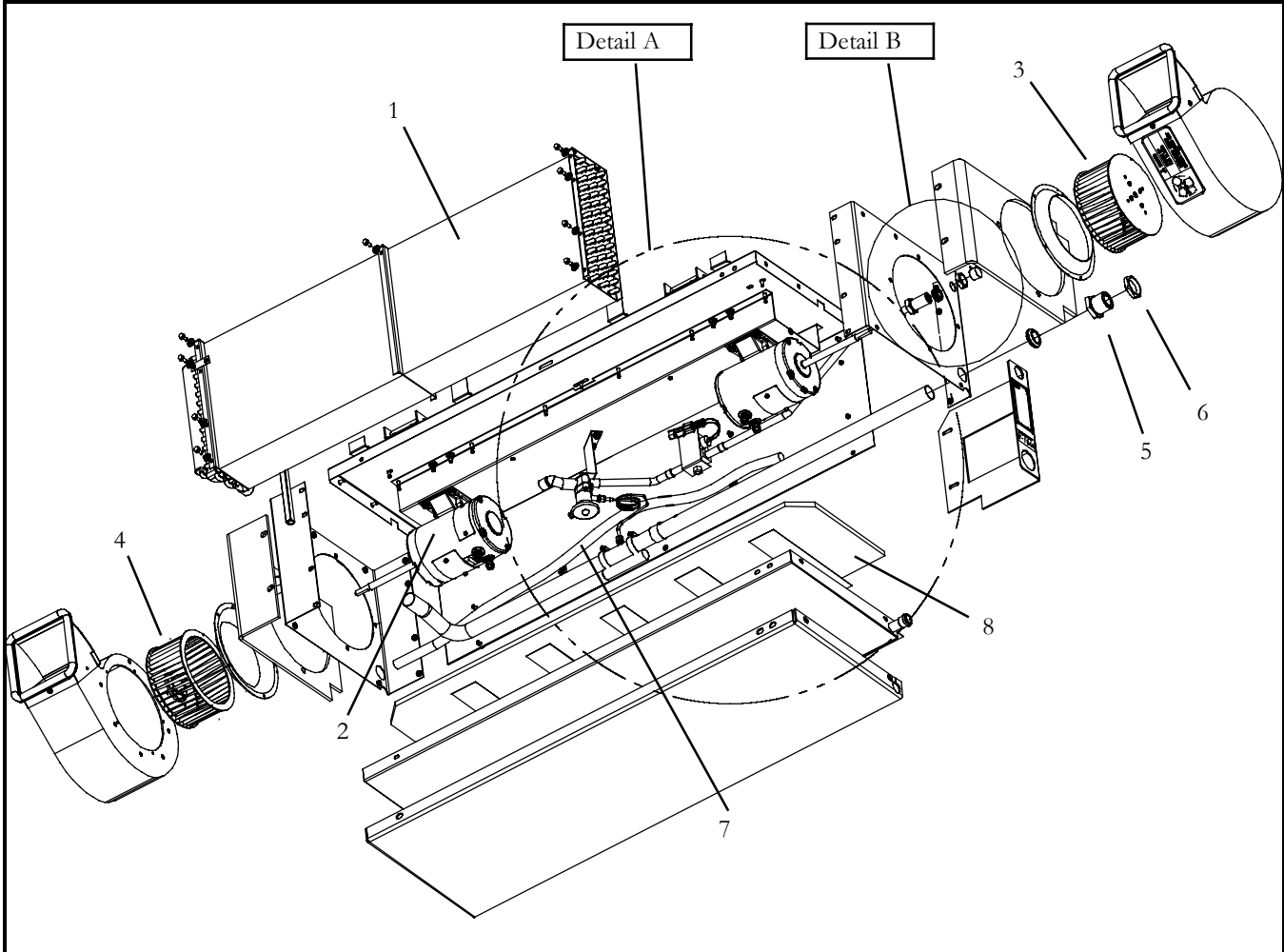
Item	Part Number	Description	Qty
1	21-2041	Coil, Evaporator, <b>(Was 08-62006-00)</b>	1
2	AC501-122	Motor, Evaporator, (Leeson) - Includes:	2
N/S	22-50091-00	.....Brush, Motor	2
N/S	04-50023-00	.....Bearing, Motor	2
3	AC401-215	Blower Wheel, Roadside	1
4	AC401-220	Blower Wheel, Curbside	1
5	40-00491-01	Fitting, 1-11/16 ORS	1
6	34-06088-01	Nut, Hex, 1-5/8-12 ORS	1
7	22-62035-00	Wire Harness	1
8	AC022-314	Baffle, Drain Pan	1
N/S	AC801-443	Filter, Return Air	1



1.8.1 EVAPORATOR, EM-17, CHASSIS KITS 77-62000-11 & Y53-E1701-00: OPTION 3 (Continued)



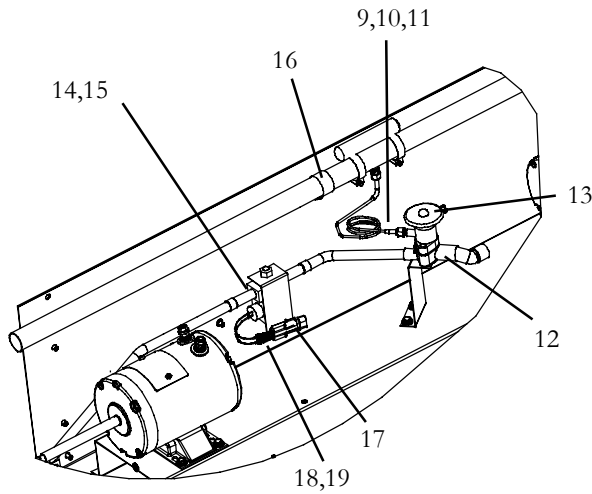
Item	Part Number	Description	Qty
9	22-01584-00	Resistor, w/Bracket	1
10	56-62134-00	Tube Assy, Equalizer	1
11	14-00351-00	Core, Schrader	5
12	40-01124-00	Valve Body, Schrader (solder to 1/4" flare)	6
13	66-U--1--1214-5	Body, Flange TXV	1
14	14-01104-39	Valve, Thermal Expansion	1
15	AC101-422	Valve, Liquid Line Solenoid, (Less Coil)	1
16	22-50030-00	Coil, 24VDC	1
17	44-00337-12	Clamp, Cushioned, 1.125 ID (High Temp)	1
18	12-00299-02	Pressure Switch, CFS2	1
19	12-00299-18	Pressure Switch, CFS1	1
20	12-00299-09	Pressure Switch,UPS3	1
21	12-00334-02	Pressure Switch, UPS2	1
22	12-00334-03	Pressure Switch,UPS1	1
23	AC021-348	Bracket, TXV	1
24	22-02392-01	Connector, 2 Pin Weatherpac	1
25	22-02393-01	Terminal, Male (18-20 AWG)	2
26	22-02394-01	Seal, Cable	2
27	40-00491-15	Fitting, 5/8 ODF x 1.00 ORS	1
28	34-06088-04	Nut, Hex, ORS 1-14	1

**1.8.1 EVAPORATOR, EM-17, CHASSIS KITS 77-62000-31 & Y53-E1702-00: OPTION 4**


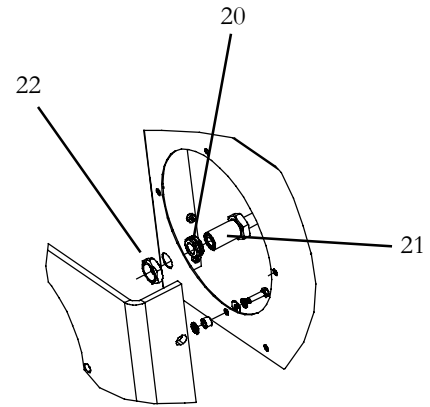
Item	Part Number	Description	Qty
1	21-2041	Coil, Evaporator, <b>(Was 08-62006-00)</b>	1
2	AC501-122	Motor, Evaporator, (Leeson) - Includes:	2
N/S	22-50091-00	.....Brush, Motor	2
N/S	04-50023-00	.....Bearing, Motor	2
3	AC401-215	Blower Wheel, Roadside	1
4	AC401-220	Blower Wheel, Curbside	1
5	40-00491-01	Fitting, 1-11/16 ORS	1
6	34-06088-01	Nut, Hex, 1-5/8-12 ORS	1
7	22-62333-00	Wire Harness	1
8	AC022-314	Baffle, Drain Pan	1
N/S	AC801-443	Filter, Return Air	1



1.8.1 EVAPORATOR, EM-17, CHASSIS KITS 77-62000-31 & Y53-E1702-00: OPTION 4 (Continued)



Detail A



Detail B

Item	Part Number	Description	Qty
9	56-62134-00	Tube Assy, Equalizer	1
10	14-00351-00	Core, Schrader	5
11	40-01124-00	Valve Body, Schrader (solder to 1/4" flare)	6
12	66-U---1--1214-5	Body, Flange TXV	1
13	14-01104-39	Valve, Expansion	1
14	AC101-422	Valve, Liquid Line Solenoid, (Less Coil)	1
15	22-50030-00	Coil, 24VDC	1
16	44-00337-12	Clamp, Cushioned, 1.125 ID (High Temp)	1
17	22-02392-01	Connector, 2 Pin Weatherpac	1
18	22-02393-01	Terminal, Male (18-20 AWG)	2
19	22-02394-01	Seal, Cable	2
20	58-00065-27	Grommet, .62 ID x .88 OD	1
21	40-00491-15	Fitting, 5/8 ODF x 1.00 ORS	1
22	34-06088-04	Nut, Hex, ORS 1-14	1



**NOTE: Complete Wire Harnesses are Non-Stock Items. Replace Components are Listed.**

**1.8.2 EVAPORATOR, EM-17, WIRE HARNESS, OPTION 1**



REF: 22-62333-00

Item	Part Number	Description	Qty
1	22-01585-00	Connector, Tower, Weatherpac	1
2	22-01566-01	Terminal, Female, 18-20 AWG	6
3	22-02394-02	Seal, Weatherpac	8
4	22-02392-00	Connector, Shroud, Weatherpac	1
5	22-02393-01	Terminal, Male, 18-20 AWG	2
6	22-01140-02	Terminal, Ring, #10 - 12 AWG	4
7	22-00119-05	Terminal, Ring, 5/16" - 12 AWG	4

**NOTE: Complete Wire Harnesses are Non-Stock Items. Replace Components are Listed.**

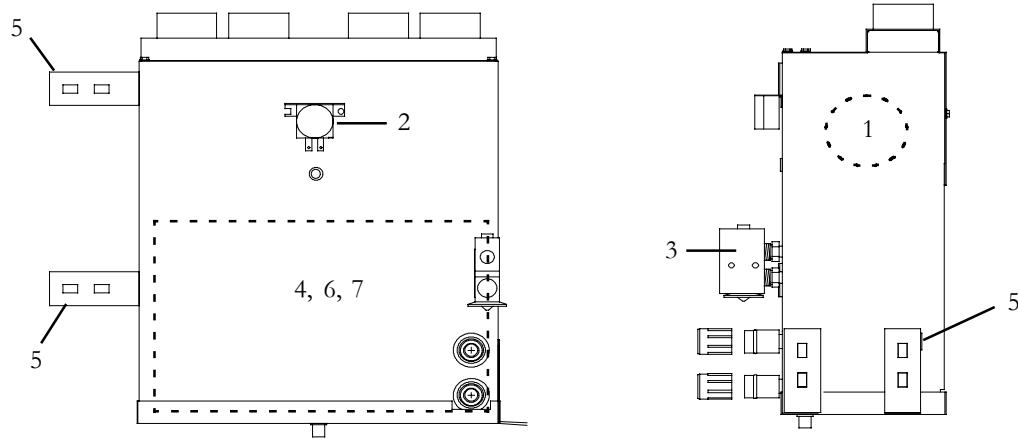
**1.8.3 EVAPORATOR, EM-17, WIRE HARNESS, OPTION 2**



REF: 22-62035-00

Item	Part Number	Description	Qty
1	AC201-951	Connector, Tower, 6 Way Weatherpac	1
2	22-01566-01	Terminal, Female, 18-20 AWG	18
3	22-02394-02	Seal, Weatherpac	24
4	AC201-952	Connector, Shroud, 6 Way Weatherpac	1
5	22-02393-01	Terminal, Male, 18-20 AWG	6
6	22-01140-02	Terminal, Ring, #10 - 12 AWG	4
7	22-00119-05	Terminal, Ring, 5/16" - 12 AWG	4
8	22-00872-01	Terminal, Ring, #10 - 8 AWG	2



**SECTION 1.9 EM-23 EVAPORATORS**
**1.9.1 EVAPORATOR KIT, EM-23, HEAT/COOL (77-62725-00)**


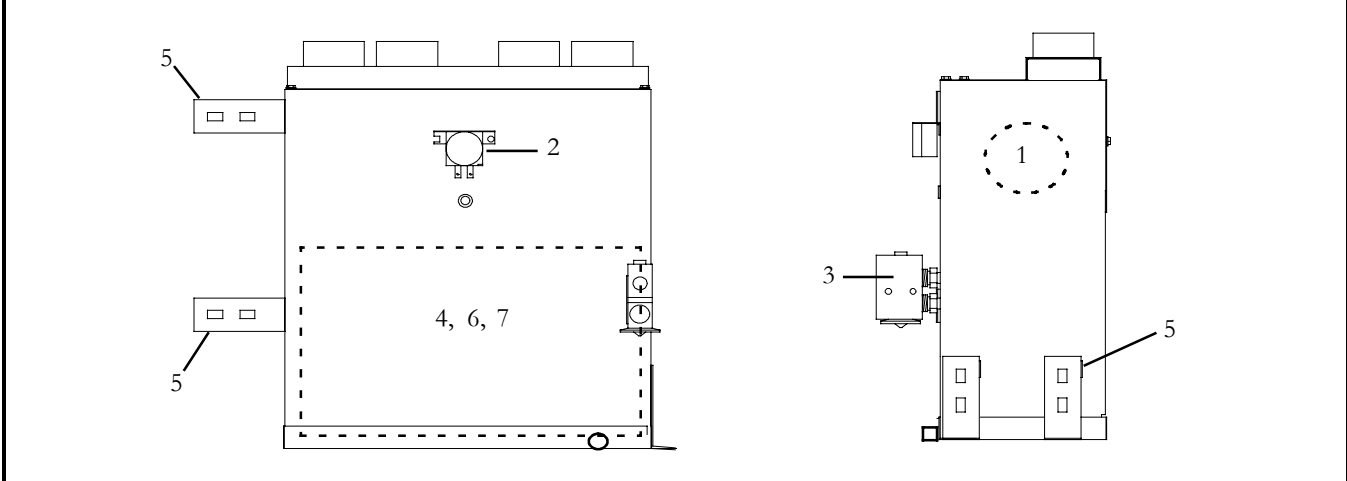
Item	Part Number	Description	Qty
1	54-50107-00	Blower & Motor Assembly, 12 VDC	1
2	12-50139-00	Switch, Freeze Thermostat	1
3	14-00397-00	Valve, Expansion, TXV, Block Type	1
4	08-50017-00	Coil Assembly, Cool/Heat, Evaporator	1
5	68-63659-00	Bracket, Mounting, EM-23	4
N/S	58-50119-00	Hose Assembly, Discharge, 10MM x 6.58	1
N/S	58-50120-00	Hose Assembly, Liquid Refrigerant, 8MM x 7.17	1
N/S	14-50098-00	Drier, Switch Port-Receiver	1
N/S	68-63660-00	Bracket, Mounting, Drier	1
N/S	12-50140-00	Switch, Hi/Low Pressure	1
N/S	58-50121-00	Hose Assembly, Liquid Refrigerant, 8MM x 3.00	1
N/S	58-50122-00	Hose Assembly, Suction, 5/16 x 25.25	1
6	68-50086-00	Grill, Filter Retaining, Evaporator	1
7	38-50032-00	Filter, Evaporator, (.44 Thick x 12.00 x 12.00 Inches)	1
N/S	N/A	Control Head, IC, EM-23 Heat/Cool - Includes:	1
N/S	68-50087-00	.....Plate, Switch/Louver	1
N/S	10-50067-00	.....Switch, AC, Heat & Vent, 3 Position	1
N/S	10-50068-00	.....Switch, Blower Speed Control, 4 Position	1
N/S	10-50069-00	.....Relay, High Speed & Power	2
N/S	58-50118-00	.....Knob, Hard, W/Set Screw	2
N/S	22-50341-00	.....Harness, EM-23, Blower, Heater - A/C	1
N/S	N/A	Kit, Parts, Installation - Includes:	1
N/S	AC801-412F25	.....Gasket, Trimlock, Black (25 Ft. Roll)	1
N/S	42-00032-00	.....Tape, Insulation, Presstite, 2.00 Inch X 30 Feet Long	1
N/S	58-00716-12	.....Hose, Drain, Silicone, 1/2 Inch I.D. x 7.00 Inches Long	1
N/S	AC301-240	.....Kazoo, Condensate Valve, 5/8 O.D.	1
N/S	44-00045-06	.....Clamp, Worm, Drain Hose, 7/8	1
N/S	22-50342-00	.....Coil, Solenoid Valve, 12 VDC	1
N/S	14-50097-00	.....Valve, Solenoid, Water, 1/2 Inch NPT	1
N/S	AC201-105	.....Breaker, Circuit, 20 Amp (Manual Reset)	2



**1.9.1 EVAPORATOR KIT, EM-23, HEAT/COOL (77-62725-00) - Continued:**

N/S	N/A	Kit, Duct, IC - Includes:	1
N/S	58-50115-00	.....Hose, 2-1/2 Inch Duct x 25 Feet Long	1
N/S	58-50116-00	.....Louver, Rectangular	3
N/S	58-50117-00	.....Louver Assembly, Vane, With 2-1/2 Inch Adapter	1

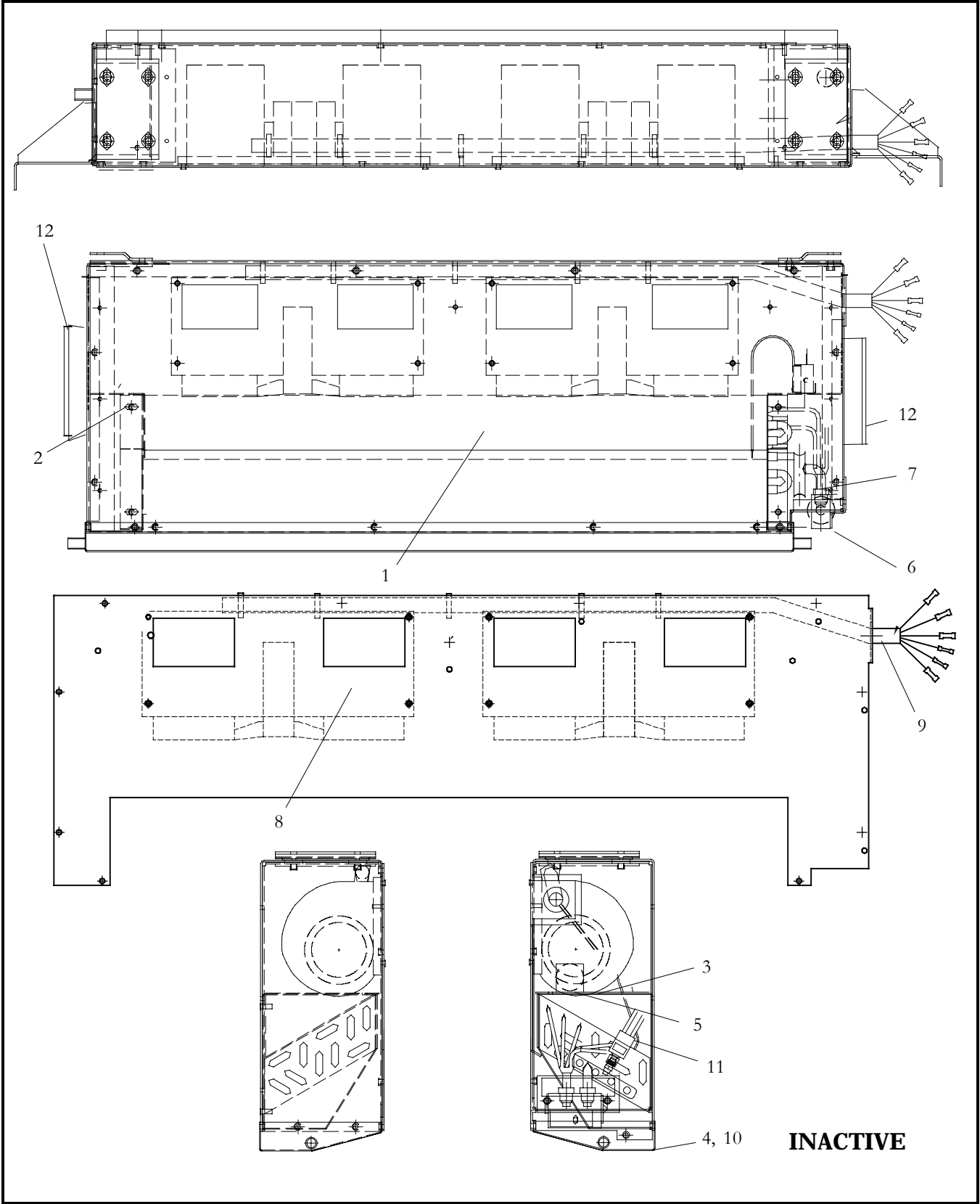
**1.9.2 EVAPORATOR KIT, EM-23 - COOL ONLY (77-62204-00)**



Item	Part Number	Description	Qty
1	54-50107-00	Blower & Motor Assembly, 12 VDC	1
2	12-50139-00	Switch, Freeze Thermostat	1
3	14-00397-00	Valve, Expansion, TXV, Block Type	1
4	08-50021-00	Coil Assembly, Cool Only, Evaporator	1
5	68-63659-00	Bracket, Mounting, EM-23	4
N/S	58-50119-00	Hose Assembly, Discharge, 10MM x 6.58	1
N/S	58-50120-00	Hose Assembly, Liquid Refrigerant, 8MM x 7.17	1
N/S	14-50098-00	Drier, Switch Port-Receiver	1
N/S	68-63660-00	Bracket, Mounting, Drier	1
N/S	12-50140-00	Switch, Hi/Low Pressure	1
N/S	58-50121-00	Hose Assembly, Liquid Refrigerant, 8MM x 3.00	1
N/S	58-50122-00	Hose Assembly, Suction, 5/16 x 25.25	1
6	68-50086-00	Grill, Filter Retaining, Evaporator	1
7	38-50032-00	Filter, Evaporator, (.44 Thick x 12.00 x 12.00 Inches)	1
N/S	N/A	Kit, Parts, Installation - Includes:	1
N/S	AC801-412F25	.....Gasket, Trimlock, Black (25 Ft. Roll)	1
N/S	42-00032-00	.....Tape, Insulation, Presstite, 2.00 Inch X 30 Feet Long	1
N/S	58-00716-12	.....Hose, Drain, Silicone, 1/2 Inch I.D. x 7.00 Inches Long	1
N/S	AC301-240	.....Kazoo, Condensate Valve, 5/8 O.D.	1
N/S	44-00045-06	.....Clamp, Worm, Drain Hose, 7/8	1
N/S	AC201-105	.....Breaker, Circuit, 20 Amp (Manual Reset)	2
N/S	N/A	Kit, Duct, IC - Includes:	1
N/S	58-50115-00	.....Hose, 2-1/2 Inch Duct x 25 Feet Long	1
N/S	58-50117-00	.....Louver Assembly, Vane, With 2-1/2 Inch adapter	4

**SECTION 1.10 IW-1 IN-WALL EVAPORATORS**

**1.10.1 EVAPORATOR, IW-1, (77-62081-11)**

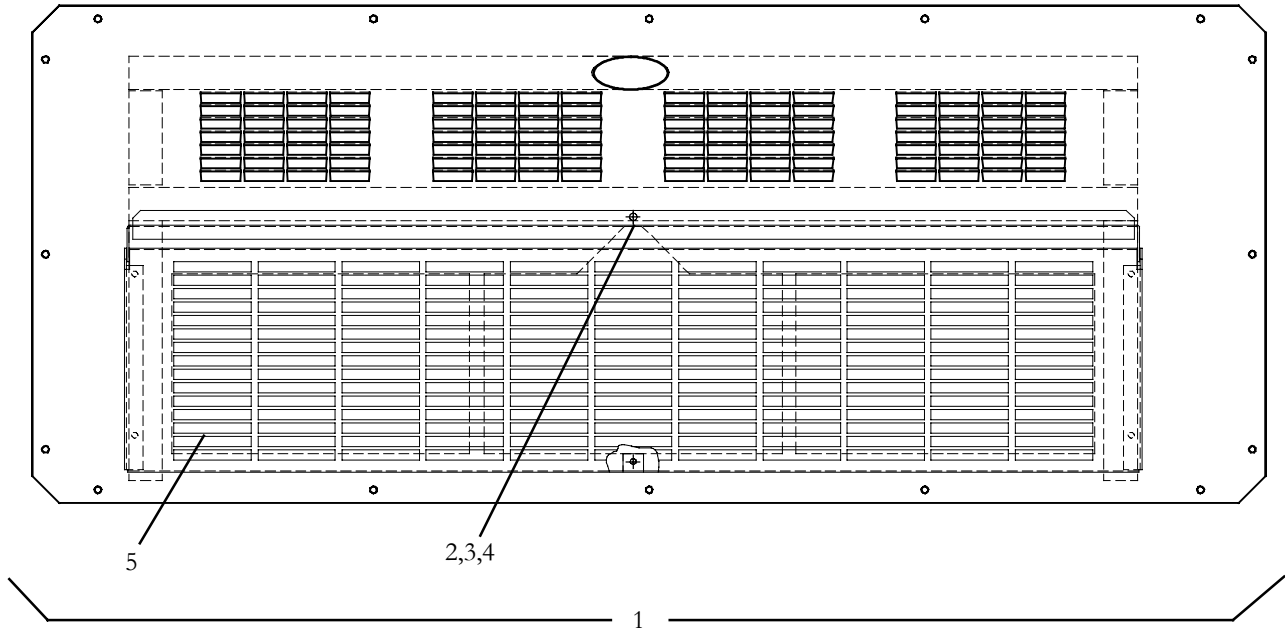




<b>1.10.1 EVAPORATOR, IW-1, (77-62081-11) - Continued:</b>			
<b>Item</b>	<b>Part Number</b>	<b>Description</b>	<b>Qty</b>
1	08-01068-00	Coil Assembly, EM-1, GEN V	1
2	AC701-101	Clip, Tinnerman, 1/4-20	4
3	AC801-300	Bushing, Universal, 1 Inch	1
4	AC022-746-1	Gasket, Drain Pan, .50 Thick X 5.50 33.25	1
5	12-00685-00	Thermostat, Freeze-Up, Non Adjustable	1
6	14-00397-00	Thermal Expansion Block Valve, (R134a)	1
7	AC801-202	O-Ring, 1/2 Inch HNBR (Package of 10)	1
8	AC040-074	Blower Assembly, 12 VDC	2
9	AC022-744	Harness, Evaporator, EM-14, GEN 4, (12/24 VDC)	1
10	86-62243-00	Drain Pan Assembly	1
11	AC201-412	Switch, Pressure, Low	1
12	68-63217-00	Bracket, Mounting	2



1.10.1 EVAPORATOR, IW-1 - GRILL ASSEMBLY (79-62056-00)



INACTIVE

Item	Part Number	Description	Qty
1	79-62056-00	Grill Assembly IW-1, Includes:	1
2	34-62019-00	.....Receptacle, 1/4 Turn	1
3	34-62020-00	.....Stud, 1/4 Turn, .25 Grip Range	1
4	34-06169-01	.....Washer, Retaining, .215 I. D.	1
5	38-00573-01	.....Filter, Air, 36.50 X 9.00 X .12, EM-1	1



**OPTION TABLE - IW-1,  
12 VDC - 3 Speed**

<b>MODEL IW-1 77-62160</b>	<b>Cover Kit</b> <small>(see Section 1.10.5)</small>	<b>Chassis Kit</b> <small>(see Section 1.10.2)</small>	<b>Wire Harness</b> <small>(see Section 1.10.3)</small>	<b>Mount Brackets</b> <small>(see Section 1.10.4)</small>
-00	1	1	1	1
-01	2	1	2	2
-02	-	1	1	-
-03	11	1	1	1
-04	3	1	1	1
-05	5	1	1	1
-06	4	1	1	3
-07	5	1	1	1
-10	6	1	3	4
-11	5	1	3	4
-12	7	1	1	5
-13	7	1	1	5
-14	6	1	1	6
-20	9	1	1	5
-21	9	1	1	5
-22	8	1	1	4
-23	8	1	1	4
-24	10	1	1	-
-25	10	1	1	-
-26	5	1	3	4
-27	11	1	1	-
-28	6	1	1	1
-29	6	1	1	1
-30	-	1	1	7
-31	-	1	5	7
-32	1	1	1	1
-33	1	1	1	1
-81	6	1	1	1
-83	6	1	1	1

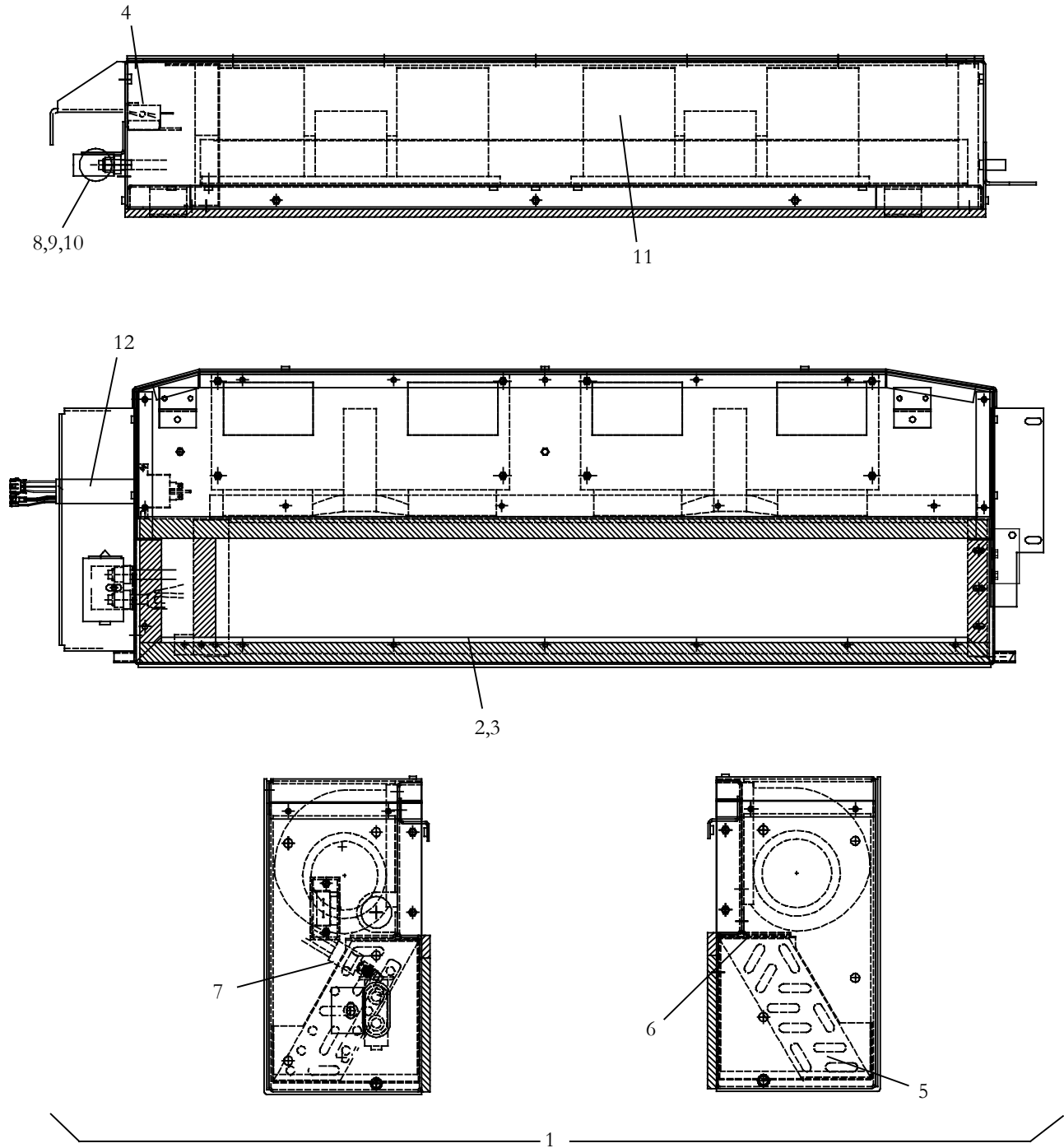
**OPTION TABLE - IW-1,  
24 VDC**

<b>MODEL IW-1 77-62160</b>	<b>Cover Kit</b> <small>(see Section 1.10.5)</small>	<b>Chassis Kit</b> <small>(see Section 1.10.2)</small>	<b>Wire Harness</b> <small>(see Section 1.10.3)</small>	<b>Mount Brackets</b> <small>(see Section 1.10.4)</small>
-15	11	1	2	1
-16	6	1	2	1
-17	6	1	2	1
-18	12	1	1	1
-19	2	1	2	2

**OPTION TABLE - IW-1,  
Variable Speed**

<b>MODEL IW-1 77-62160</b>	<b>Cover Kit</b> <small>(see Section 1.10.5)</small>	<b>Chassis Kit</b> <small>(see Section 1.10.2)</small>	<b>Wire Harness</b> <small>(see Section 1.10.3)</small>	<b>Mount Brackets</b> <small>(see Section 1.10.4)</small>
-09	1	1	4	-

**1.10.2 EVAPORATOR, IW-1, COMMON PARTS USED ON 77-62160-XX UNITS**



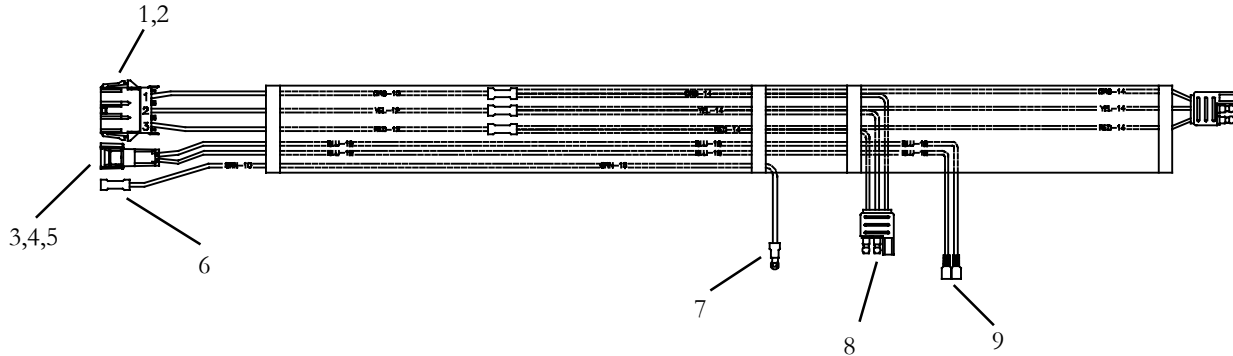


<b>1.10.2 EVAPORATOR ASSEMBLY, IW-1, COMMON PARTS USED ON 77-62160-XX UNITS</b>			
<b>Item</b>	<b>Part Number</b>	<b>Description</b>	<b>Qty</b>
1	77-00303-00	...Evaporator Assy, IW-1, Variable Speed - 12 VDC Includes:	NSI
	77-00303-01	...Evaporator Assy, IW-1, TBB - 12 VDC Includes:	NSI
	77-00303-02	...Evaporator Assy, IW-1 - 12 VDC Includes:	NSI
	77-00303-03	...Evaporator Assy, IW-1 (For use w/ flat cover) - 12 VDC Includes:	NSI
	77-00303-04	...Evaporator Assy, IW-1 - 24 VDC Includes:	NSI
	77-00303-05	...Evaporator Assy, IW-1 - 12 VDC, Enviromate Includes:	NSI
2	86-62460-00	.....Drain Pan Assembly	1
3	AC022-313-1	.....Baffle, Drain Pan	1
4	12-00685-00	.....Thermostat, Freeze-Up, Non Adjustable	1
5	08-62056-01	.....Coil Assembly, Evaporator, IW-1	1
6	NSI	.....Gasket, Coil, .125 Inch Thick X 3 X 34.18	1
7	AC201-412	.....Switch, Pressure, Low	1
8	AC801-202	.....O-Ring, 1/2 Inch HNBR	2
9	14-00397-00	.....Valve, Thermal Expansion, (R134a)	1
10	42-00032-00	.....Tape, Insulation, Prestite	1
11	AC401-202	.....Fan & Motor Assembly, 12 VDC	2
	54-00546-03	.....Fan & Motor Assembly, 24 VDC	2
12	22-62239-00	.....Harness, Wiring, Variable Speed (See Section 1.10.3 )	NSI
	22-62282-00	.....Harness, Evaporator, EM/IW, (12VDC) - (See Section 1.10.3)	NSI
	22-62274-00	.....Harness, Evaporator, EM/IW, TBB, (12VDC) - (See Section 1.10.3 )	NSI
	22-62299-00	.....Harness, Evaporator, EM/IW, (24 VDC) - (See Section 1.10.3)	NSI
	Y25-00059-00	.....Harness, Evaporator, EM/IW, (12 VDC, Enviromate) - (See Section 1.10.3 )	NSI



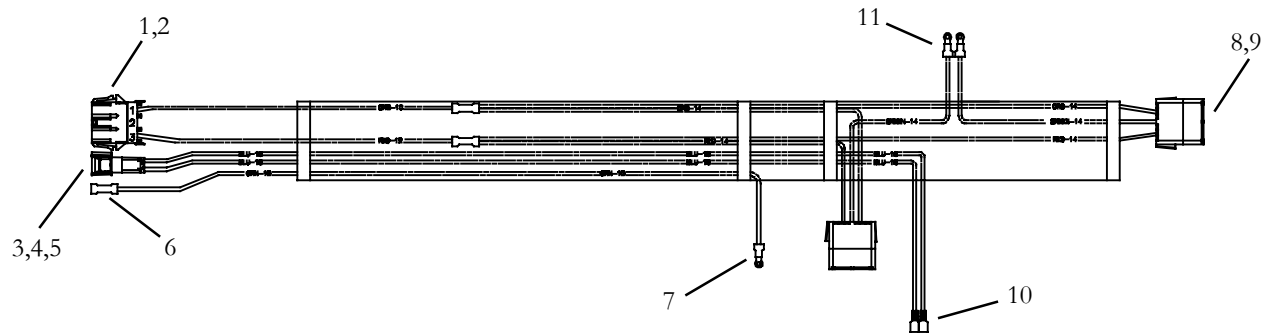
**NOTE: Complete Wire Harnesses are Non-Stock Items. Replace Components are Listed.**

**1.10.3 EVAPORATOR HARNESS, IW-1 12VDC (22-62282-00): OPTION 1**



Item	Part Number	Description	Qty
1	22-50099-32	Connector, Plug Housing (3 position)	1
2	22-50099-32A	Terminal, Male, 10/12 AWG	3
3	22-50099-37	Connector, Male Unsealed	1
4	22-50099-37A	Terminal, Male, 16/18 AWG	2
5	22-50099-37D	Lock, Secondary	1
6	22-00066-03	Terminal, Butt Splice, 10/12 AWG	1
7	22-01140-02	Terminal, Ring #10, 10/12 AWG	1
8	22-62002-00	Connector, Electrical	2
9	22-01258-01	Terminal, Female Push-on, 18/22 AWG	2

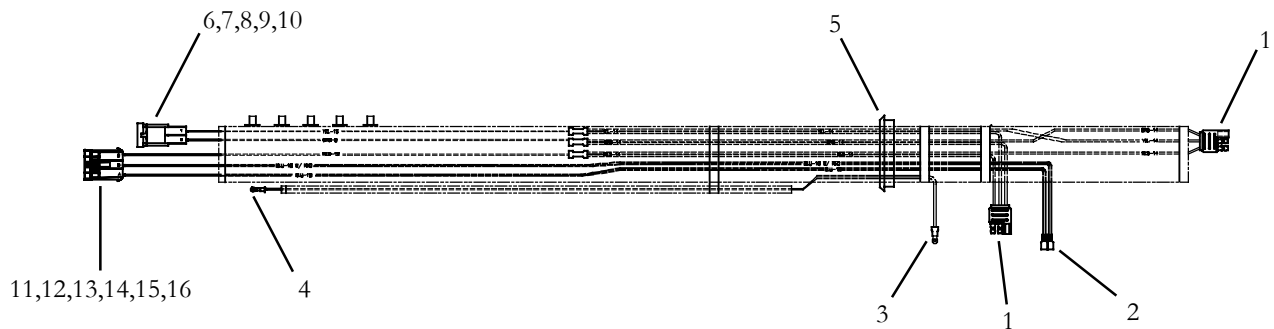
**1.10.3 EVAPORATOR HARNESS, IW-1 24VDC (22-62299-00): OPTION 2**



Item	Part Number	Description	Qty
1	22-50099-32	Connector, Plug Housing (3 position)	1
2	22-50099-32A	Terminal, Male, 10/12 AWG	3
3	22-50099-37	Connector, Male Unsealed	1
4	22-50099-37A	Terminal, Male, 16/18 AWG	2
5	22-50099-37D	Lock, Secondary	1
6	22-00066-03	Terminal, Butt Splice, 10/12 AWG	1
7	22-01140-02	Terminal, Ring #10, 10/12 AWG	1
8	22-60254-08	Receptacle Housing, (4 position)	2
9	22-60254-27	Terminal, Female, 14 AWG	6
10	22-01258-01	Terminal, Female Push-on, 18/22 AWG	2
11	22-01139-02	Terminal, Ring #10, 14/16 AWG	2

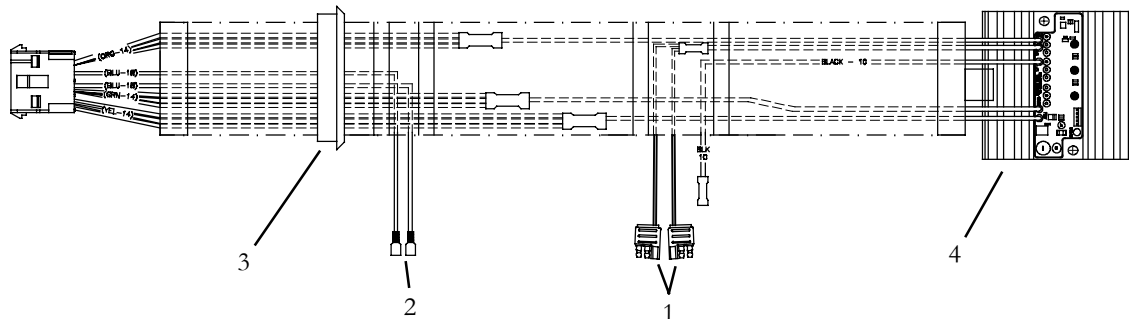
**NOTE: Complete Wire Harnesses are Non-Stock Items. Replace Components are Listed.**

**1.10.3 EVAPORATOR HARNESS, IW-1 12VDC (22-62274-00): OPTION 3**



Item	Part Number	Description	Qty
1	22-62002-00	Connector, Plug (Motor)	2
2	22-01258-01	Terminal, Female Push-On, 18/22 AWG	2
3	22-00872-01	Terminal, Ring #10, 8 AWG	1
4	22-00872-03	Terminal, Ring 5/16 , 8 AWG	1
5	58-00661-07	Bushing	1
6	22-50098-67	Connector, Male, 2 position	1
7	22-50098-67B	Terminal, Male, 8 AWG	1
8	22-50098-67D	Cable Seal, 8 AWG	1
9	22-50098-67A	Terminal, Male, 10/12 AWG	1
10	22-50098-67C	Cable Seal, 10/12 AWG	1
11	22-50078-86	Connector, Male, 3 position	1
12	22-50078-49A	Terminal, Male, 18 AWG	2
13	22-50078-53C	Cable Seal, 18 AWG	2
14	22-50078-49C	Terminal, Male, 12 AWG	1
15	22-50078-53D	Cable Seal, 12 AWG	1
16	22-50078-86A	Lock, Secondary	1

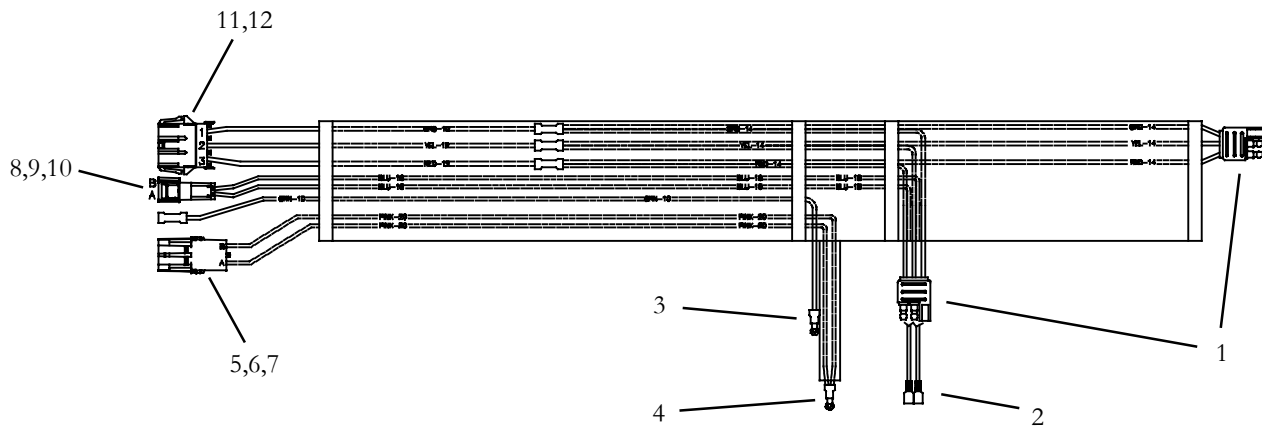
**1.10.3 EVAPORATOR HARNESS, IW-1, Variable Speed 12VDC (22-62239-00): OPTION 4**



Item	Part Number	Description	Qty
1	22-62002-00	Connector, Plug (Motor)	2
2	22-01258-01	Terminal, Female Push-On, 18/22 AWG	2
3	58-00661-07	Bushing	1
4	12-00533-01	Speed Controller w/Harness	1

**NOTE: Complete Wire Harnesses are Non-Stock Items. Replace Components are Listed.**

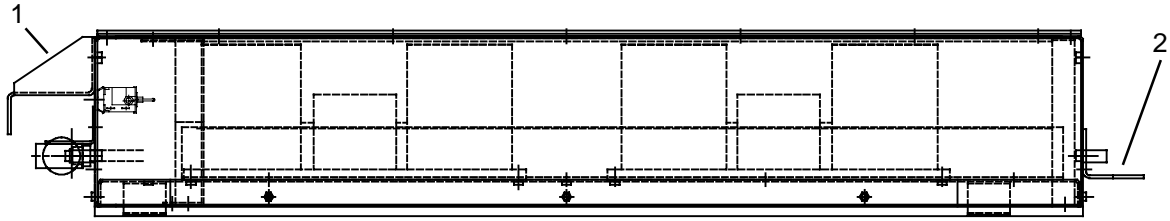
**1.10.3 EVAPORATOR HARNESS, IW-1, EnviorMATE 12VDC (Y25-00059-00): OPTION 5**



Item	Part Number	Description	Qty
1	22-62002-00	Connector, Plug (Motor)	2
2	22-01258-01	Terminal, Female Push-On, 18/22 AWG	2
3	22-01140-02	Terminal, Ring #10, 12/10 AWG	1
4	12-00305-04	Thermistor, Fenwal Ring	1
5	22-02392-00	Connector, Male, 2 position W/P	1
6	22-02393-01	... Terminal, Male, 20/18 AWG	2
7	22-02394-00	... Cable Seal	2
8	22-50099-37	Connector, Male, Unsealed	1
9	22-50099-37A	... Terminal, Male, 16/18 AWG	2
10	22-50099-37D	... TPA	1
11	22-50099-32	Connector, Plug Housing 3 Way	1
12	22-50099-32A	... Terminal, Male, 10/12 AWG	3

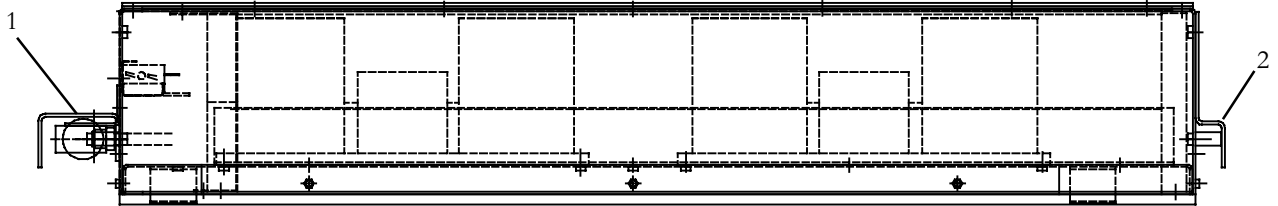


**1.10.4 EVAPORATOR, IW-1, BRACKETS (77-62160-00,-03,-04,-05,-07,-15,16,-17,-18,-28,-29,-32,-33,-81,&-83): OPTION 1**



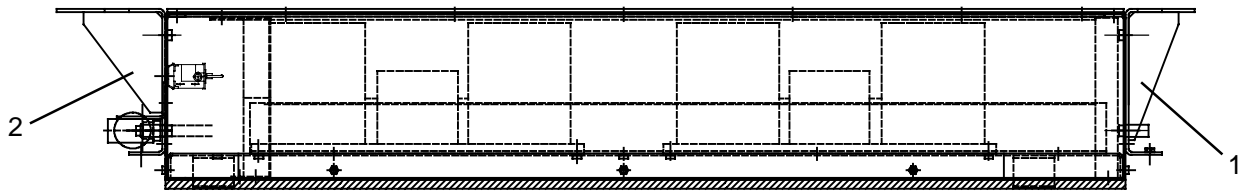
Item	Part Number	Description	Qty
1	68-63416-00	.....Bracket, Hanger, Evaporator Mounting	1
2	68-63417-00	.....Bracket, Hanger, Evaporator Mounting	1

**1.10.4 EVAPORATOR, IW-1, BRACKETS (77-62160-01 & -19): OPTION 2**



Item	Part Number	Description	Qty
1	68-63440-00	.....Bracket, Hanger, Evaporator Mounting	1
2	68-63441-00	.....Bracket, Hanger, Evaporator Mounting	1

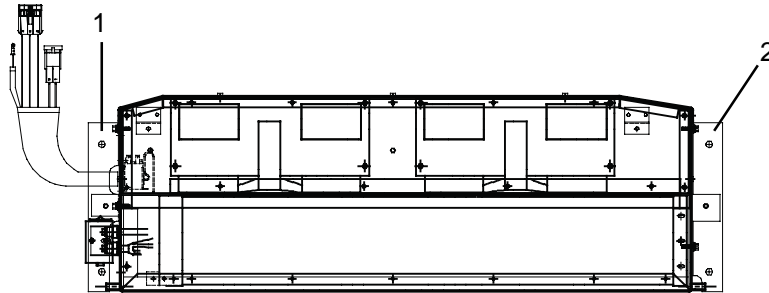
**1.10.4 EVAPORATOR, IW-1, BRACKETS (77-62160-06): OPTION 3**



Item	Part Number	Description	Qty
1	86-62577-00	.....Weld Assembly, IW-1	1
2	86-62437-00	.....Weld Assembly, IW-1	1

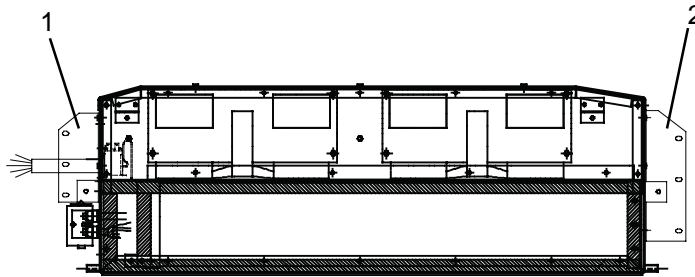


**1.10.4 EVAPORATOR, IW-1, BRACKETS (77-62160-10, -11, -22, -23 & -26 ): OPTION 4**



Item	Part Number	Description	Qty
1	68-63756-00	.....Bracket, Mounting	2
2	68-63757-00	.....Bracket, Mounting	1

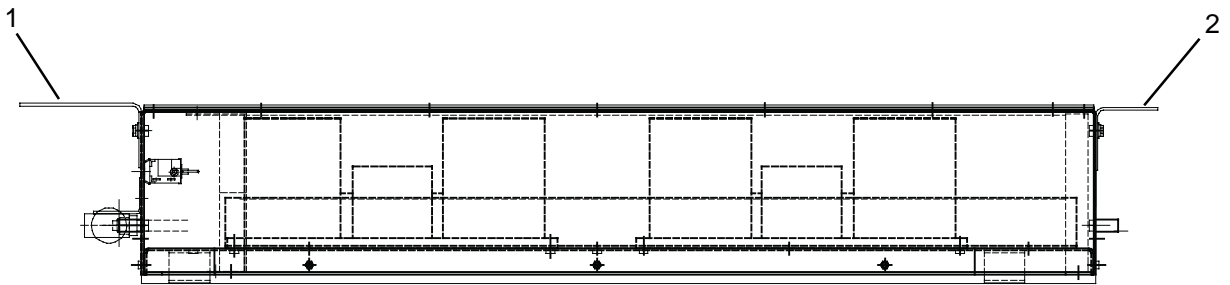
**1.10.4 EVAPORATOR, IW-1, BRACKETS (77-62160-12, -13, -20 & -21 ): OPTION 5**



Item	Part Number	Description	Qty
1	68-63763-00	.....Bracket, Mounting	2
2	68-63764-00	.....Bracket, Mounting	1

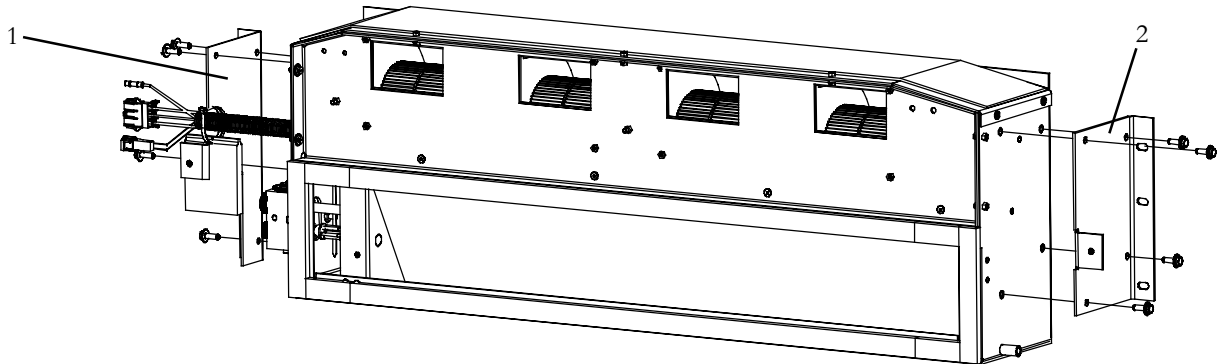


1.10.4 EVAPORATOR, IW-1, BRACKETS (77-62160-14 ): OPTION 6



Item	Part Number	Description	Qty
1	68-08216-00	.....Bracket, Mounting	1
2	68-08217-00	.....Bracket, Mounting	1

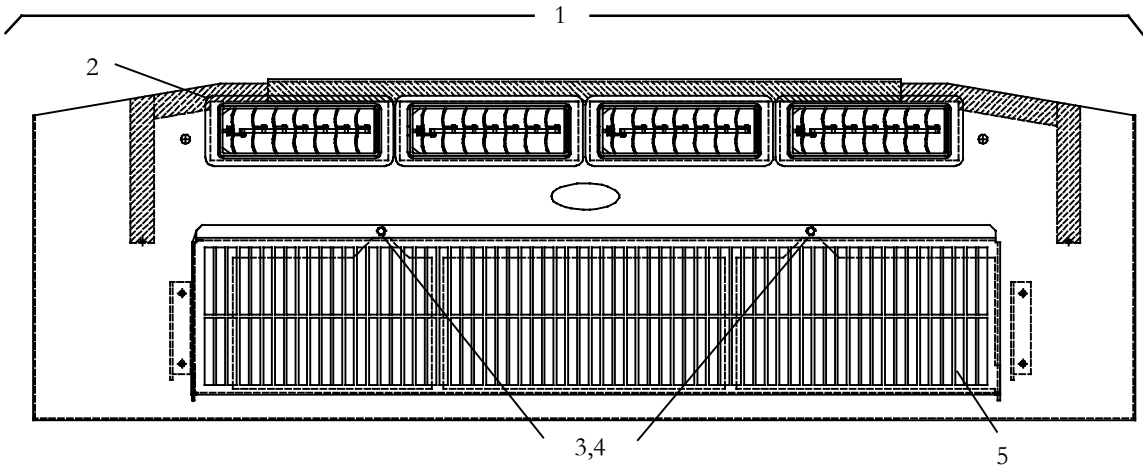
1.10.4 EVAPORATOR, IW-1, BRACKETS (77-62160-30 & -31 ): OPTION 7



Item	Part Number	Description	Qty
1	Y24-00186-00	.....Bracket, Mounting	1
2	Y24-00187-00	.....Bracket, Mounting	1

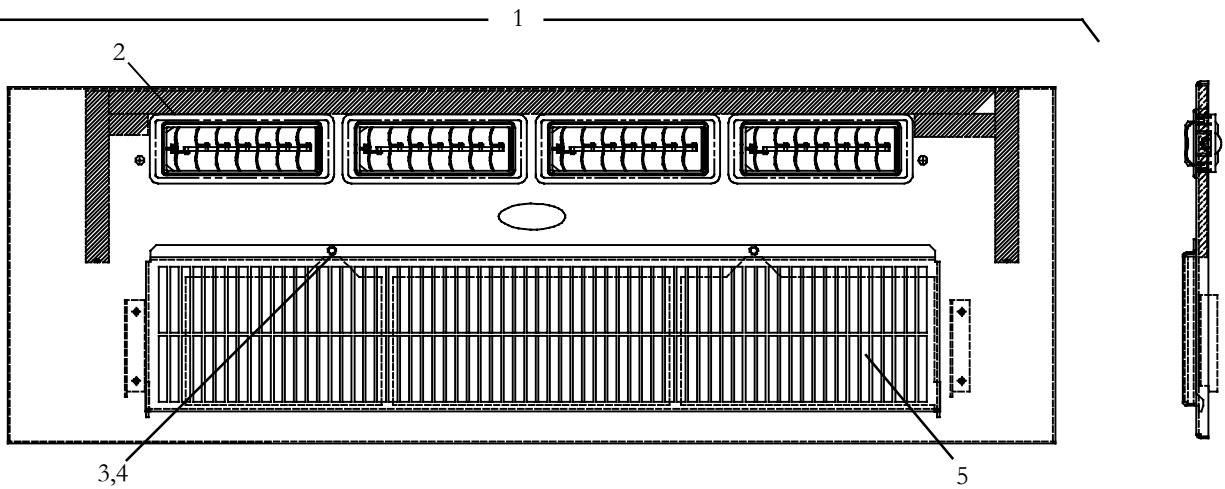


**1.10.5 COVER ASSEMBLY, IW-1, LOUVER DIFFUSER - USE WITH 77-62160-00,-09,-32 & -33 : OPTION 1**



Item	Part Number	Description	Qty
1	79-62088-00	Cover Assembly, IW-1, White, Includes: (-00 & -09)	1
	79-62088-03	Cover Assembly, IW-1, Oyster White, Includes: (-32 & -33)	1
2	58-62042-00	.....Diffuser, Air, Louver, Rectangular (8.0 X 3.0 Inches)	4
3	NSI	.....Nut, Retaining, Chimney Type, 1/4-20	2
4	801-307	.....Screw, Knurled Slotted Head, 1/4-20 x 0.75 Inch Long, Nylon	2
5	38-00573-08	.....Filter, Air, 34.00 X 6.40 X .25, (IW-1)	1

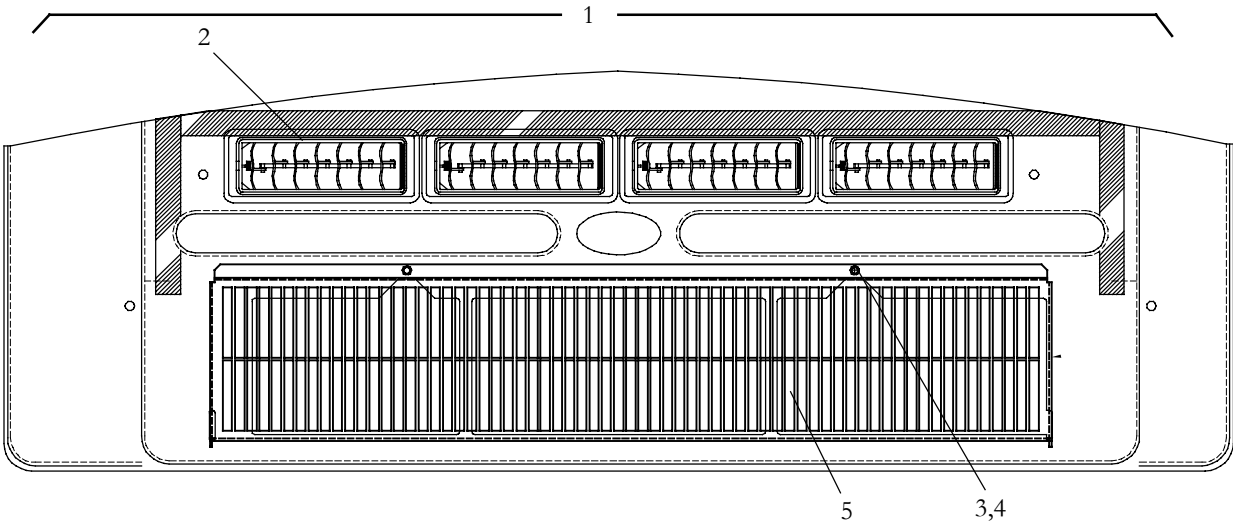
**1.10.5 COVER ASSEMBLY, IW-1, LOUVER DIFFUSER - USE WITH 77-62160-01 & -19 : OPTION 2**



Item	Part Number	Description	Qty
1	79-62088-02	Cover Assembly, IW-1, White - Includes:	1
2	58-62042-00	.....Diffuser, Air, Louver, Rectangular (8.0 X 3.0 Inches)	4
3	NSI	.....Nut, Retaining, Chimney Type, 1/4-20	2
4	801-307	.....Screw, Knurled Slotted Head, 1/4-20 x 0.75 Inch Long, Nylon	2
5	38-00573-08	.....Filter, Air, 34.00 X 6.40 X .25, (IW-1)	1

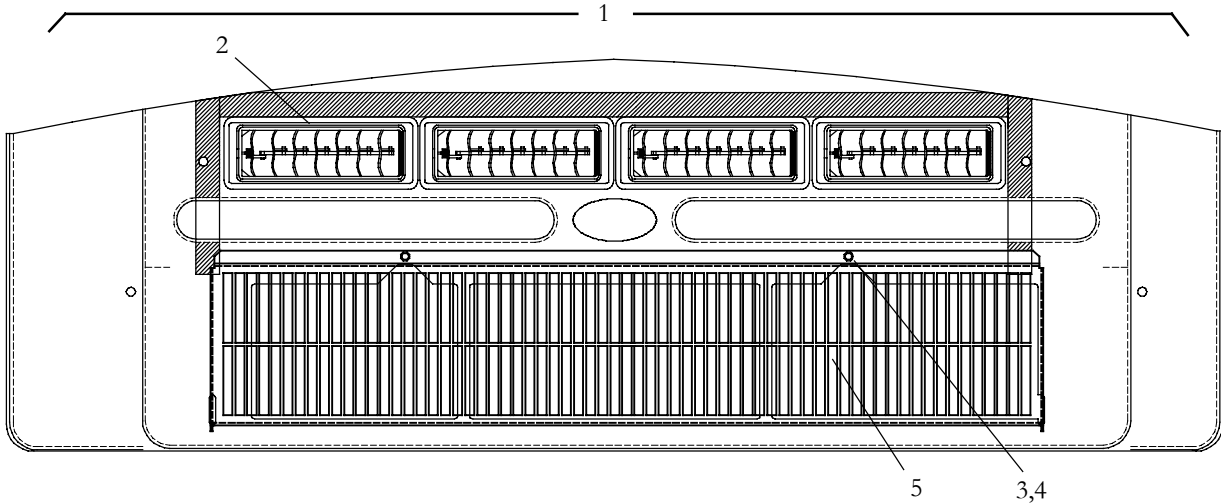


**1.10.5 COVER ASSEMBLY, IW-1 - USE WITH 77-62160-04 : OPTION 3**



Item	Part Number	Description	Qty
1	79-62096-00	Cover Assembly, IW-1, Grey (TBB FS65) - Includes: (-04)	1
2	58-62042-00	.....Diffuser, Air, Adjustable, (Rectangular)	4
3	NSI	.....Nut, Retaining, Chimney Type, 1/4-20	2
4	801-307	.....Screw, Knurled Slotted Head, 1/4-20 x 0.75 Inch Long, Nylon	2
5	38-00573-08	.....Filter, Air, 34.00 X 6.40 X .25 Inch	1

**1.10.5 COVER ASSEMBLY, IW-1 - USE WITH 77-62160-06 : OPTION 4**

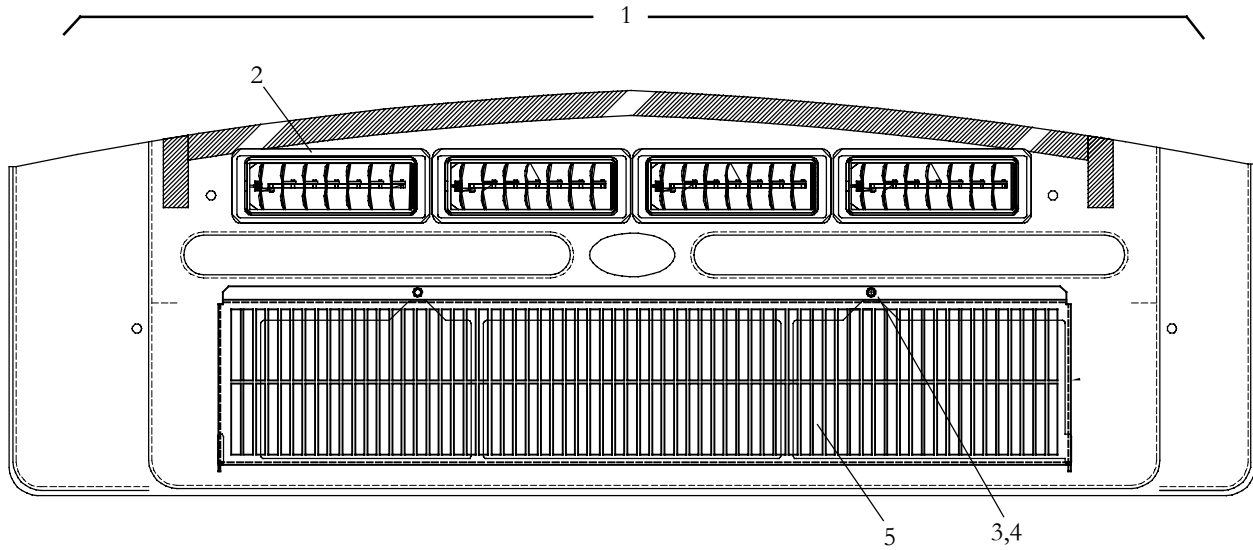


Item	Part Number	Description	Qty
1	79-62096-02	Cover Assembly, IW-1, Grey (TBB FS65) C & D Type - Includes: (-06)	1
2	58-62042-00	.....Diffuser, Air, Adjustable (Rectangular)	4
3	NSI	.....Nut, Retaining, Chimney Type, 1/4-20	2
4	801-307	.....Screw, Knurled Slotted Head, 1/4-20 x 0.75 Inch Long, Nylon	2
5	38-00573-08	.....Filter, Air, 34.00 X 6.40 X .25 Inch	1



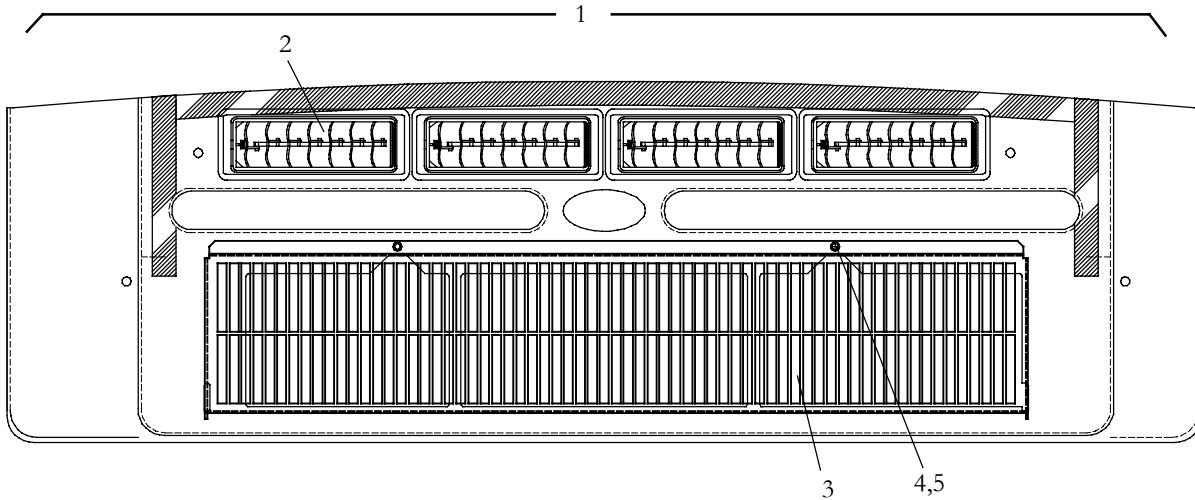


**1.10.5 COVER ASSEMBLY, IW-1 - USE WITH 77-62160-05,-07,-11 & -26 : OPTION 5**



Item	Part Number	Description	Qty
1	79-62096-04	Cover Assy, IW-1, TBB (C2), Grey, Includes: (-07 & -26)	1
	79-62096-05	Cover Assy, IW-1, TBB (C2), White, Includes: (-11)	1
2	58-62042-00	.....Diffuser, Air, Adjustable (Rectangular)	4
3	NSI	.....Nut, Retaining	2
4	AC801-307	.....Screw, Knurled Slotted Head, 1/4 - 20 x 3/4	2
5	38-00573-08	.....Filter, Air, 34.00 X 6.40 X .25 Inch	1

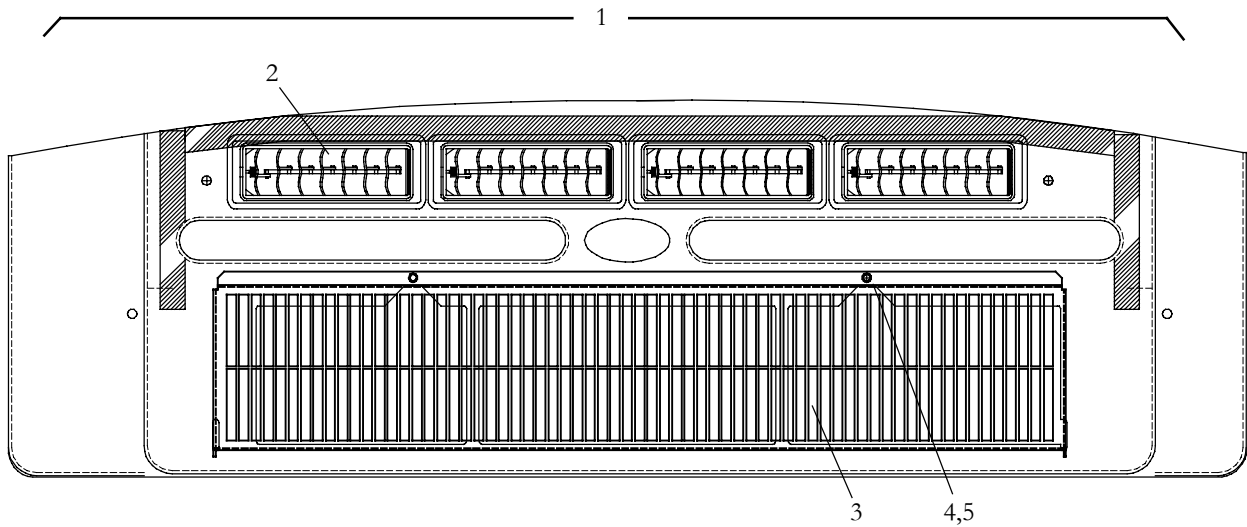
**1.10.5 COVER ASSEMBLY, IW-1 - USE WITH 77-62160-10,-14,-16,-17,-28,-29,-81 & -83 : OPTION 6**



Item	Part Number	Description	Qty
1	79-62097-00	Cover Assembly, Evaporator, Gray - Includes: (-10, -14, -17 & -83)	1
	79-62097-01	Cover Assy, IW-1, White , Includes: (77-62160-05,-16,-28,-29 & -81)	1
2	58-62042-00	.....Diffuser, Air, Adjustable (Rectangular)	4
3	38-00573-08	.....Filter, Air, 34.00 X 6.40 X .25 Inch	1
4	NSI	.....Nut, Retaining, Chimney Type, 1/4-20	2
5	AC801-307	.....Screw, Knurled Slotted Head, 1/4-20 x 0.75 Inch Long, Nylon	2

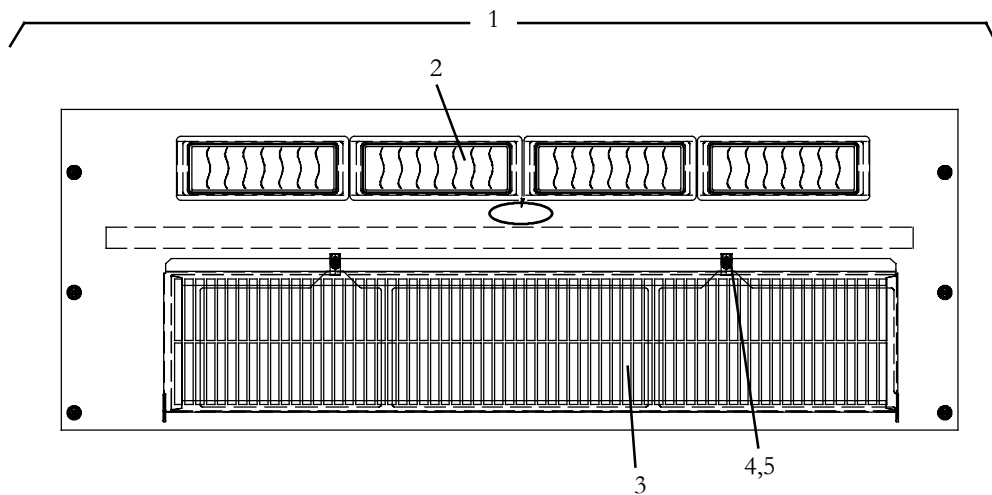


**1.10.5 COVER ASSEMBLY, IW-1 - USE WITH 77-62160-12 & -13 : OPTION 7**



Item	Part Number	Description	Qty
1	79-62096-06	Cover Assembly, Evaporator, BB (CE), Gray - Includes: (-13)	1
	79-62096-07	Cover Assembly, Evaporator, BB (CE), White - Includes: (-12)	1
2	58-62042-00	.....Diffuser, Air, Adjustable (Rectangular)	4
3	38-00573-08	.....Filter, Air, 34.00 X 6.40 X .25 Inch	1
4	NSI	.....Nut, Retaining, Chimney Type, 1/4-20	2
5	AC801-307	.....Screw, Knurled Slotted Head, 1/4-20 x 0.75 Inch Long, Nylon	2

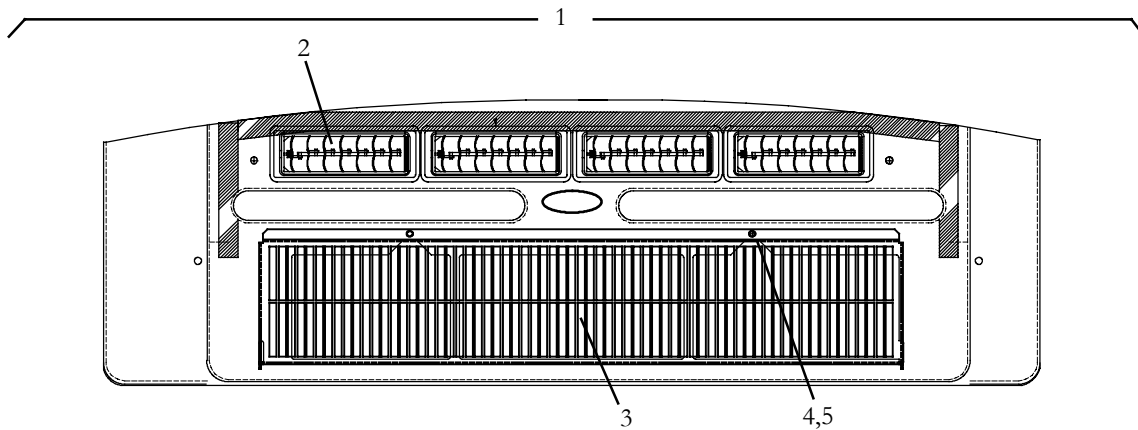
**1.10.5 COVER ASSEMBLY, IW-1 - USE WITH MODELS 77-62160-22 & -23 : OPTION 8**



Item	Part Number	Description	Qty
1	79-62118-00	Cover Assembly, Evaporator, Gray - Includes: (-22)	1
	79-62118-01	Cover Assembly, Evaporator, White - Includes: (-23)	1
2	58-62042-00	.....Diffuser, Air, Adjustable (Rectangular)	4
3	38-00573-08	.....Filter, Air, 34.00 X 6.40 X .25 Inch	1
4	NSI	.....Nut, Retaining, Chimney Type, 1/4-20	2
5	AC801-307	.....Screw, Knurled Slotted Head, 1/4-20 x 0.75 Inch Long, Nylon	2

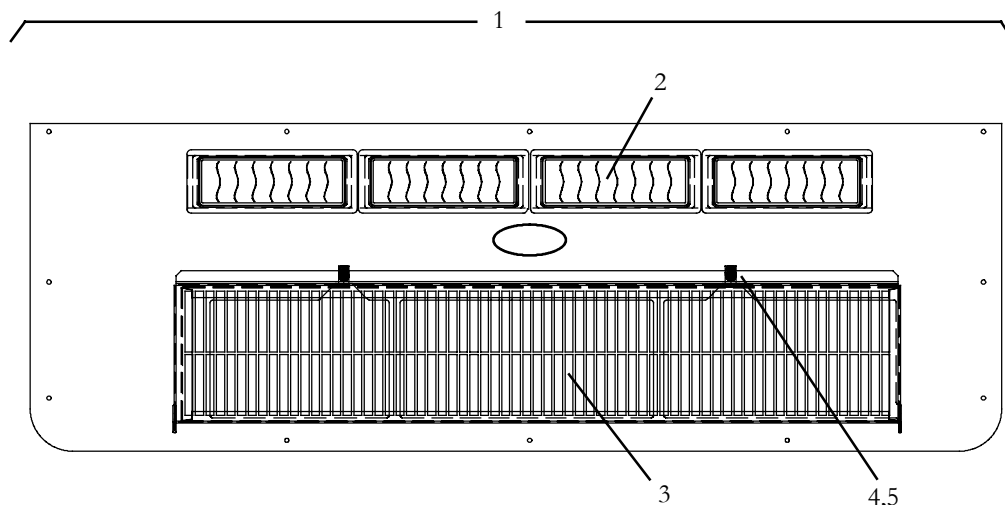


**1.10.5 COVER ASSEMBLY, IW-1 - USE WITH MODELS 77-62160-20 & -21 : OPTION 9**



Item	Part Number	Description	Qty
1	79-62096-08	Cover Assembly, Evaporator, BB (Microbird), Gray - Includes: (-21)	1
	79-62096-09	Cover Assembly, Evaporator, BB (Microbird), White - Includes: (-20)	1
2	58-62042-00	.....Diffuser, Air, Adjustable (Rectangular)	4
3	38-00573-08	.....Filter, Air, 34.00 X 6.40 X .25 Inch	1
4	NSI	.....Nut, Retaining, Chimney Type, 1/4-20	2
5	AC801-307	.....Screw, Knurled Slotted Head, 1/4-20 x 0.75 Inch Long, Nylon	2

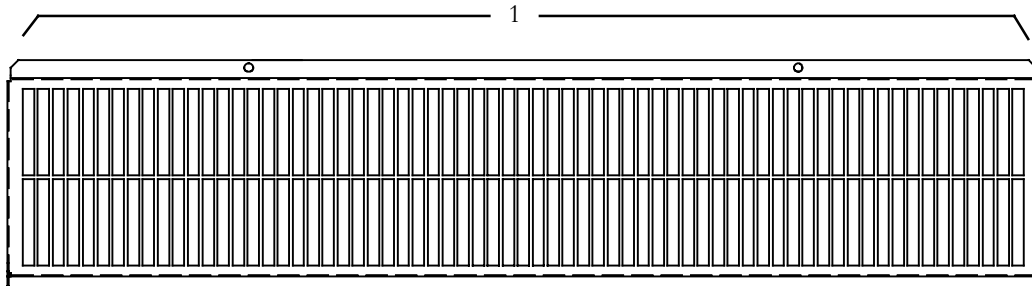
**1.10.5 COVER ASSEMBLY, IW-1 - USE WITH MODELS 77-62160-24 & -25 : OPTION 10**



Item	Part Number	Description	Qty
1	79-62118-02	Cover Assembly, Evaporator, Girardin, Gray - Includes: (-24)	1
	79-62118-03	Cover Assembly, Evaporator, Girardin, White - Includes: (-25)	1
2	58-62042-00	.....Diffuser, Air, Adjustable (Rectangular)	4
3	38-00573-08	.....Filter, Air, 34.00 X 6.40 X .25 Inch	1
4	NSI	.....Nut, Retaining, Chimney Type, 1/4-20	2
5	AC801-307	.....Screw, Knurled Slotted Head, 1/4-20 x 0.75 Inch Long, Nylon	2

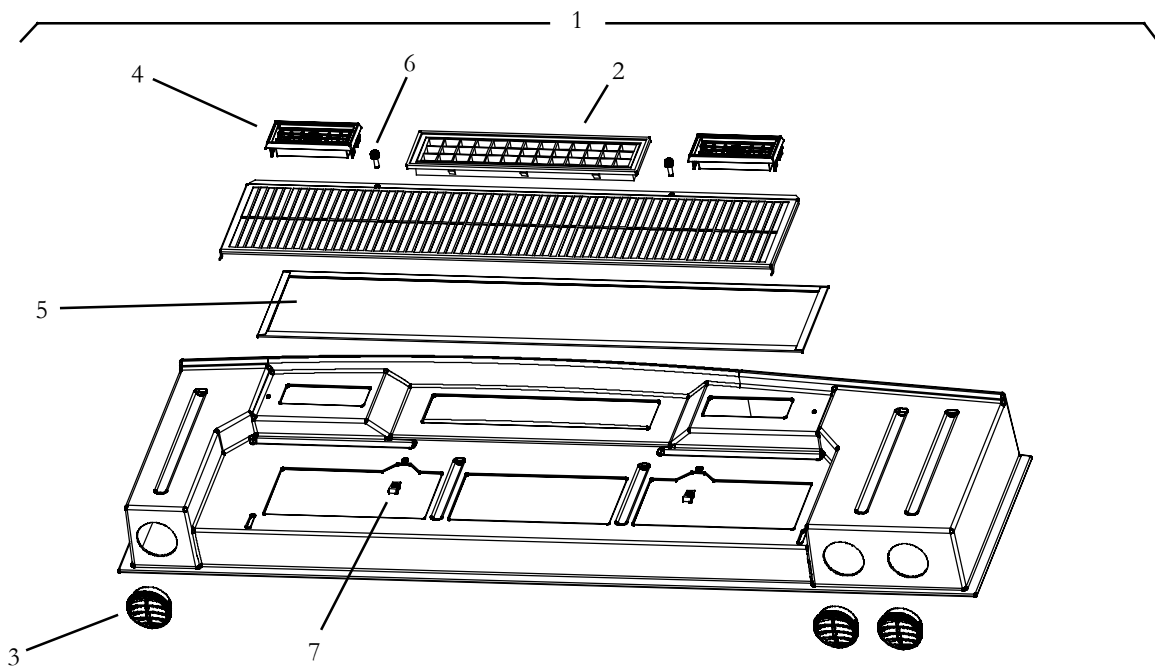


1.10.5 GRILLE, IW-1 - USE WITH MODELS 77-62160-03,-15, & -27 : OPTION 11



Item	Part Number	Description	Qty
1	68-08182-01	Grille, Black	1

1.10.5 COVER ASSEMBLY, IW-1 - USE WITH 77-62160-18 : OPTION 12



Item	Part Number	Description	Qty
1	Y28-00023-00	Cover Assembly, Evaporator, Beige - Includes:	1
2	58-62209-00	.....Diffuser, Air, Adjustable, (Rectangular)	1
3	Y23-00002-00	.....Louver, Fixed, 2.5" (Round)	3
4	Y23-00002-00	.....Louver, Bezel, 2" x 5.5" (Rectangular)	2
5	38-00573-08	.....Filter, Air, 34.00 X 6.40 X .25 Inch	1
6	NSI	.....Nut, Retaining, Chimney Type, 1/4-20	2
7	AC801-307	.....Screw, Knurled Slotted Head, 1/4-20 x 0.75 Inch Long, Nylon	2

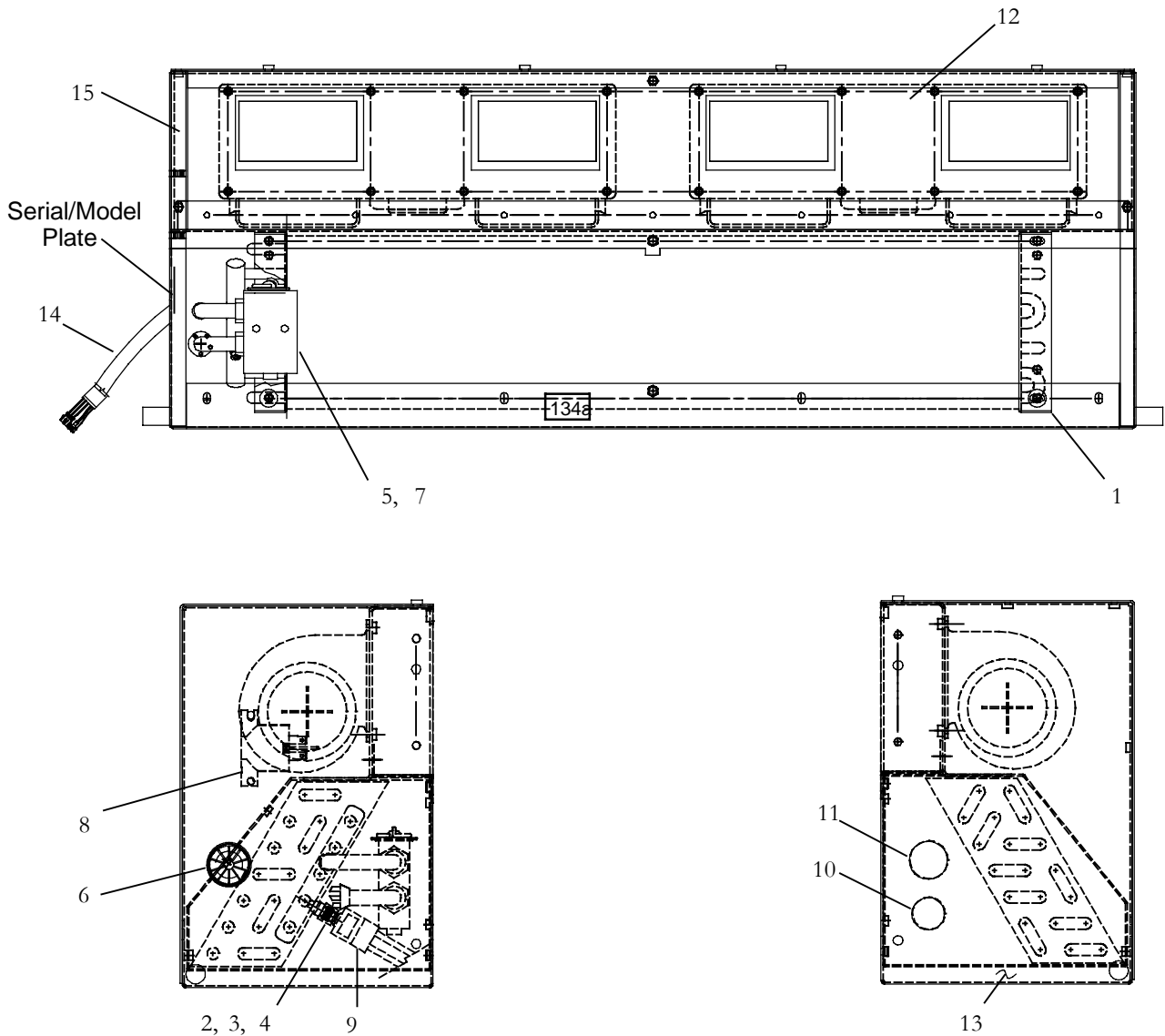
## 1.11 IW-2 IN-WALL EVAPORATORS

### OPTION TABLE - IW-2, 12 VDC - 3 Speed

<b>MODEL IW-2 77-62134</b>	<b>Cover Kit</b> <small>(see Section 1.11.4)</small>	<b>Chassis Kit</b> <small>(see Section 1.11.1)</small>	<b>Wire Harness</b> <small>(see Section 1.11.3)</small>	<b>Mount Brackets</b> <small>(see Section 1.11.2)</small>
-00	2	1	1	-
-01	1	1	1	-
-02	2	1	1	1
-03	3	1	1	2
-04	3	1	1	2
-05	3	1	1	-
-06	3	1	1	-
-07	4	1	1	-
-08	4	1	1	-
-11	-	1	1	-
-12	5	1	1	-



1.11.1 EVAPORATOR, IW-2 - 77-62134-XX (All), COMMON PARTS: OPTION 1



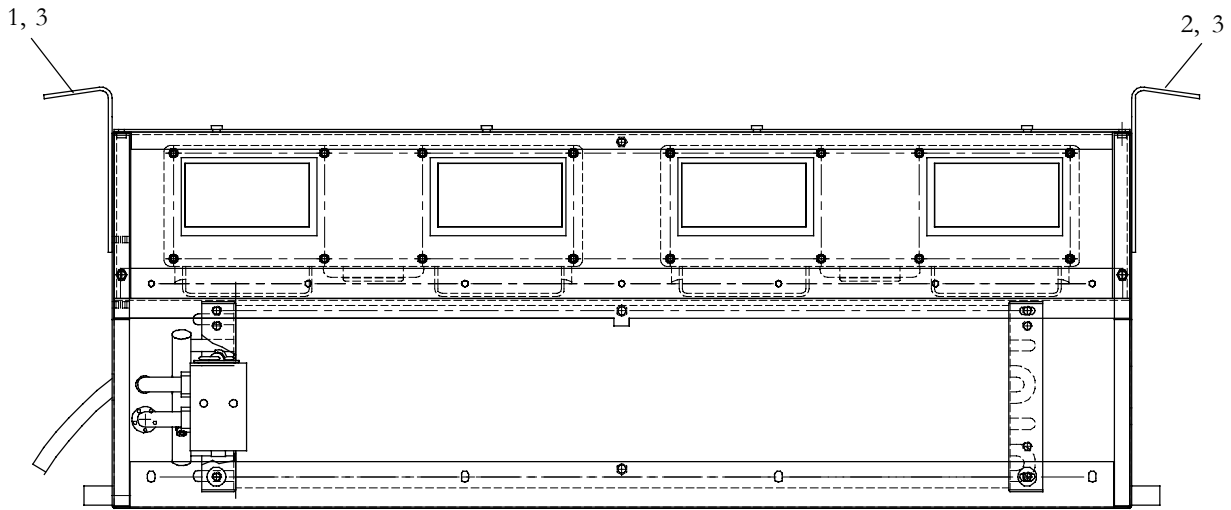
Item	Part Number	Description	Qty
-	NSS	Evaporator Chassis Assembly, IW-2 - Includes:	-
1	08-62045-01	...Coil, Evaporator, IW-2 - Includes:	1
2	40-00124-00	.....Body, Valve, Schrader, Brass, 1/4 SAE Flare - Includes:	1
3	14-00351-00	.....Core, Access Valve (Nickel Plated)	1
4	DD19CA061	.....Cap, Seal, Flare, 1/4 Inch	1
5	14-00397-00	...Valve, Thermal Expansion, (R134a)	1
6	58-00661-06	...Bushing, Nylon, 1-3/8 Inch Hole	1
7	AC801-202	...O-Ring, 1/2 Inch HNBR (Package of 10)	2
8	12-00685-00	...Thermostat, Freeze-Up, Non Adjustable	1
9	AC201-412	...Switch, Low Pressure	1



<b>1.11.1 EVAPORATOR, IW-2, 77-62134-XX (All), COMMON PARTS: OPTION 1 (Con't)</b>			
<b>Item</b>	<b>Part Number</b>	<b>Description</b>	<b>Qty</b>
10	58-00065-26	...Grommet, 0.75 I.D. X 1.06 Hole, .06 Inch Groove	2
11	58-00065-83	...Grommet, 1.00 ID X 1.25 Hole, .06 Inch Groove	2
12	AC401-203	...Blower Assembly, 12 VDC	2
13	AC022-313-2	...Baffle, Drain Pan	1
14	22-62282-00	...Harness, Evaporator, (12 VDC) - (SEE SECTION 1.11.3)	1
N.S.	42-00032-00	...Tape, Insulation, Presstite, 2.00 Inch X 30 Feet Long	1
15	AC801-414	...Gasket, Foam, 3/8 X 1 Inch, (25 Foot Roll)	1

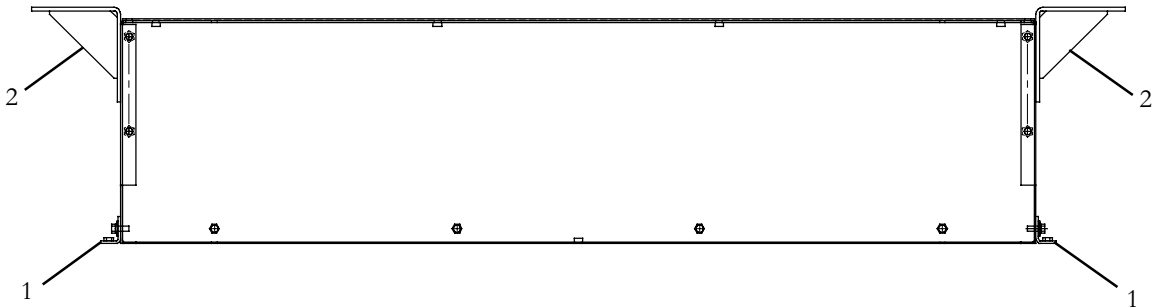


**1.11.2 EVAPORATOR, IW-2 MOUNT BRACKETS (Used on 77-62134-02): OPTION 1**



Item	Part Number	Description	Qty
1	68-63529-00	...Bracket, Evaporator Mounting	1
2	68-63529-01	...Bracket, Evaporator Mounting	1
3	NSI	...Screw, Hex Head, With Captive Washer, 1/4-20 X .75 Inch Long, SST	8

**1.11.2 EVAPORATOR, IW-2 MOUNT BRACKETS (Used on 77-62134-03 & -04 ): OPTION 2**

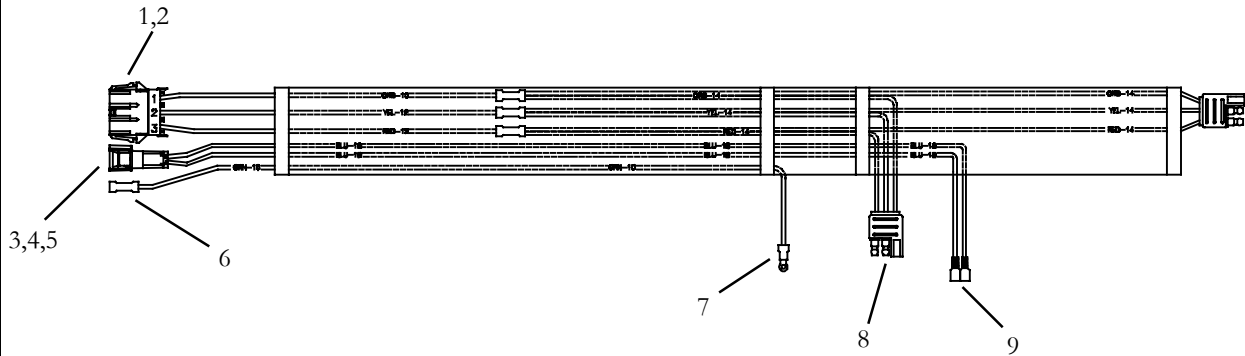


Item	Part Number	Description	Qty
1	68-63617-00	...Angle Assembly, Cover, IW-2	2
2	86-62449-00	...Bracket Assembly, Evaporator Mounting, IW-2 TBB SRW	2
3	NSI	...Bolt, Hex Head, 5/16-18 X .750 Inch Long, SST	6
4	NSI	...Washer, Split Lock, 5/16, SST	6
5	NSI	...Washer, Flat, 5/16, SST	6



**NOTE: Complete Wire Harnesses are Non-Stock Items. Replace Components are Listed.**

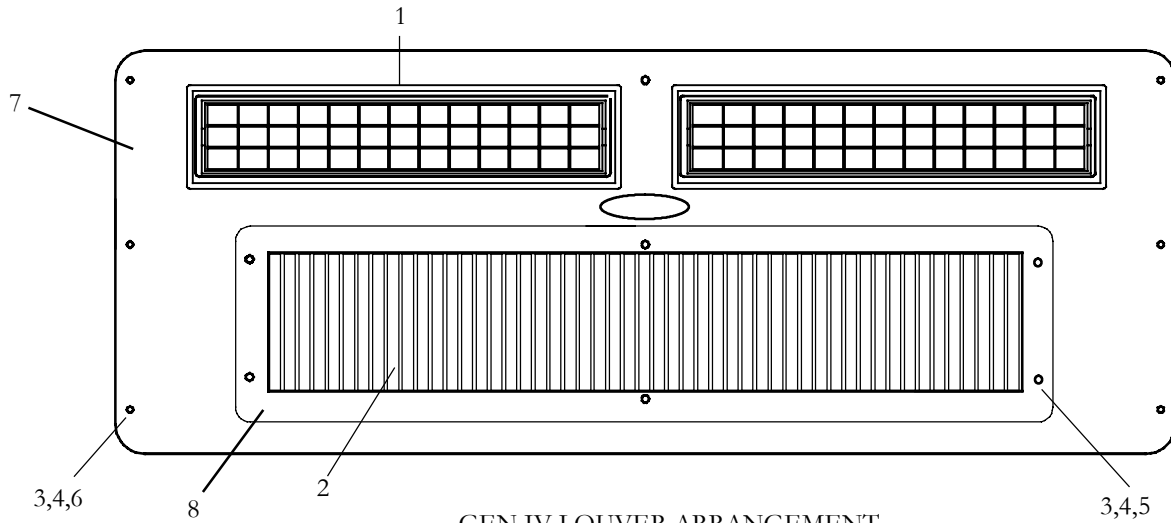
**1.11.3 EVAPORATOR HARNESS, IW-2 12VDC (22-62282-00): OPTION 1**



Item	Part Number	Description	Qty
1	22-50099-32	Connector, Plug Housing (3 position)	1
2	22-50099-32A	Terminal, Male, 10/12 AWG	3
3	22-50099-37	Connector, Male Unsealed	1
4	22-50099-37A	Terminal, Male, 16/18 AWG	2
5	22-50099-37D	Lock, Secondary	1
6	22-00066-03	Terminal, Butt Splice, 10/12 AWG	1
7	22-01140-02	Terminal, Ring #10, 10/12 AWG	1
8	22-62002-00	Connector,Electrical	2
9	22-01258-01	Terminal, Female Push-on, 18/22 AWG	2



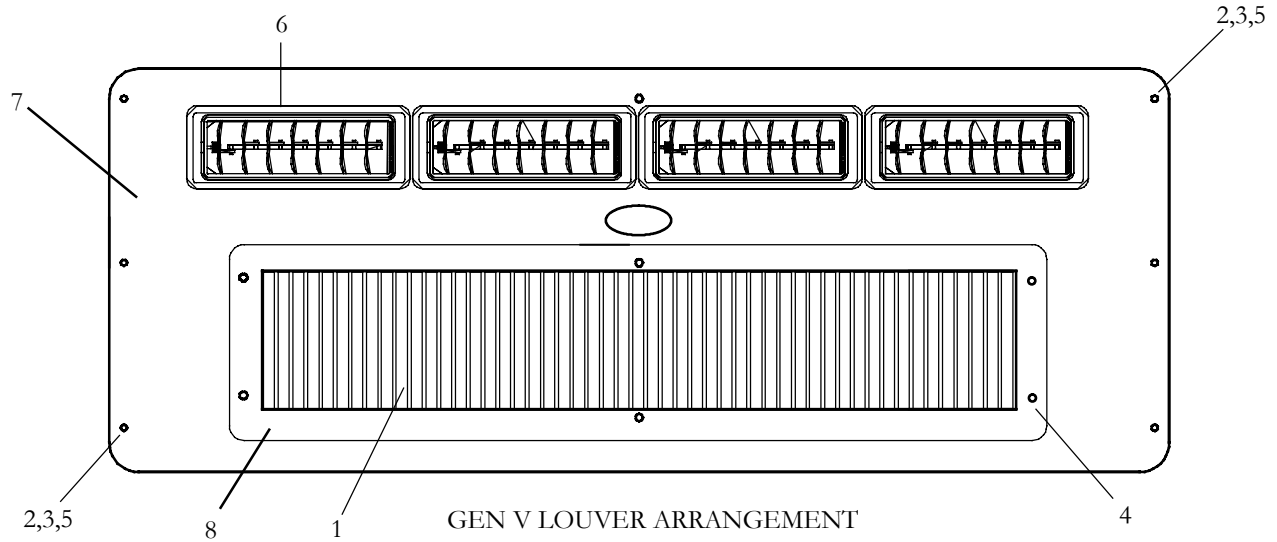
1.11.4 EVAPORATOR, IW-2, 77-62134-01 (GEN IV): OPTION 1



NOTE: ITEM 1 USED ON 77-62134-01 ONLY

Item	Part Number	Description	Qty
1	AC401-320	Diffuser, Air, Fixed	2
2	38-00573-06	Filter, Air, 26.30 X 5.75 X.25, IW-2, (Used On -00 Assembly Only))	1
3	AC801-529	Washer, Snap Cap	13
4	AC801-531	Cap, Snap, White	13
5	NSI	Screw, Pan Head, TF, #10-16 X .63 Inch Long	6
6	NSI	Screw, Pan Head, #10-32 X .50 Inch Long, Zinc	7
7	68-63703-00	Cover	1
8	68-07962-00	Grille	1

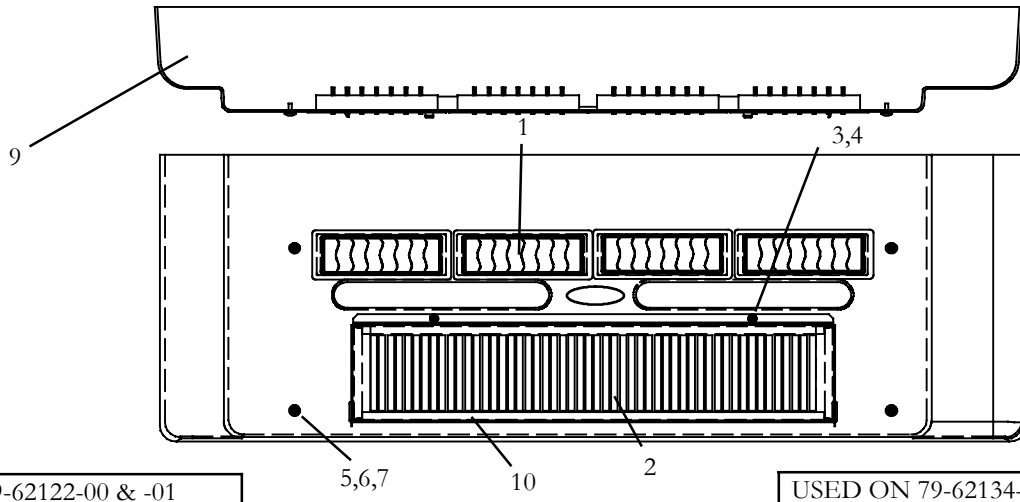
**1.11.4 EVAPORATOR, IW-2, 77-62134-00 & -02: OPTION 2**



Item	Part Number	Description	Qty
1	38-00573-06	Filter, Air, IW-2 (26.3 in. X 5.75 in.)	1
2	AC801-529	Washer, Snap Cap	13
3	AC801-531	Cap, Snap, White	13
4	NSI	Screw, Pan Head, TF, #10-16 X .63 Inch Long	6
5	NSI	Screw, Pan Head, #10-32 X .50 Inch Long, Zinc	7
6	58-62042-00	Diffuser, Air, Fixed (Rectangular, 3 x 7 Inches), (Used On -02 Assembly Only)	4
7	68-63703-00	Cover	1
8	68-07962-00	Grille	1

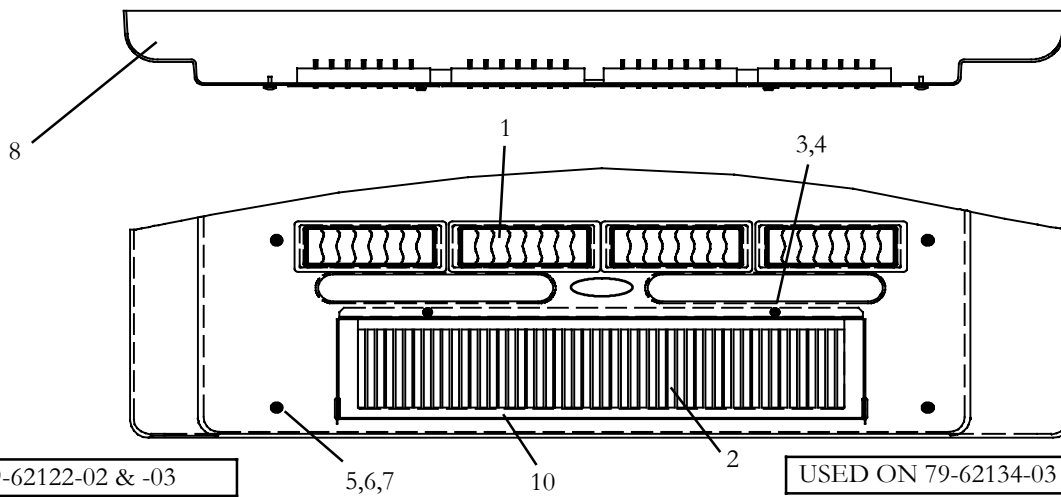


1.11.4 COVER ASSEMBLY, EVAPORATOR, IW-2 (77-62134-03, -04, -05 & -06): OPTION 3



79-62122-00 & -01

USED ON 79-62134-05 & -06



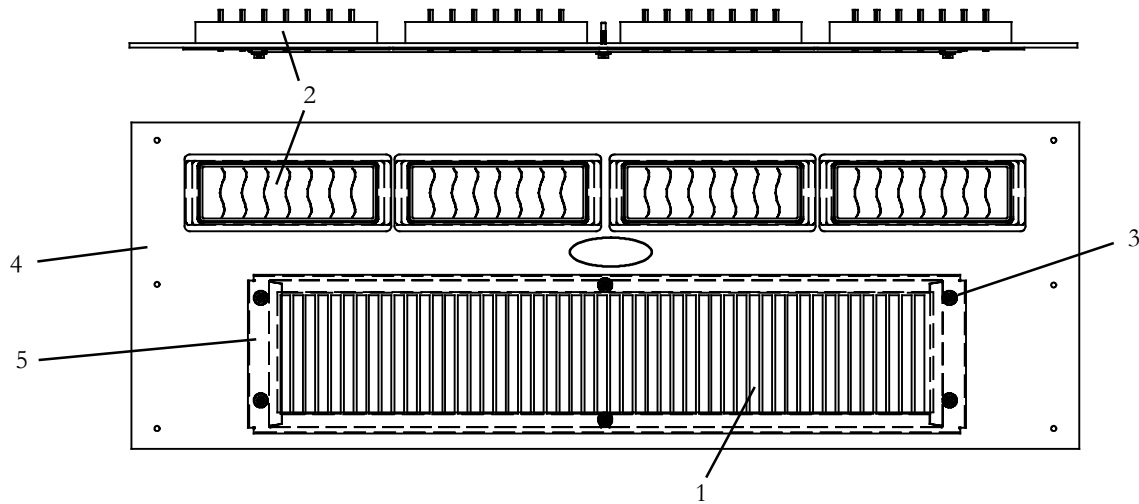
79-62122-02 & -03

USED ON 79-62134-03 & -04

Item	Part Number	Description	Qty
1	58-62042-00	Diffuser, Air, Adjustable (Rectangular)	4
2	38-00573-10	Filter, Air, IW-2 (27.88 in. X 5.75 in.)	1
3	NSI	Nut, Retaining, Tapped Hole-Chimney	2
4	AC801-307	Screw, 1/4 - 20 Knurled Head	2
5	NSI	Screw, MACH PNHD, #10-32 X 3/4 LG	4
6	AC801-529-2	Washer, .25 Dia. Snap Cap	4
7	AC801-531	Cap, Snap, White, (77-62122-00 & -02)	4
	AC801-532	Cap, Snap, Gray, (77-62122-01 & -03)	4
8	58-62203-00	Cover, IW2 Gray	1
	58-62203-01	Cover, IW2 White	1
9	58-62203-02	Cover, IW2 Gray	1
	58-62203-03	Cover, IW2 White	1
10	68-63754-00	Grille, IW2	1

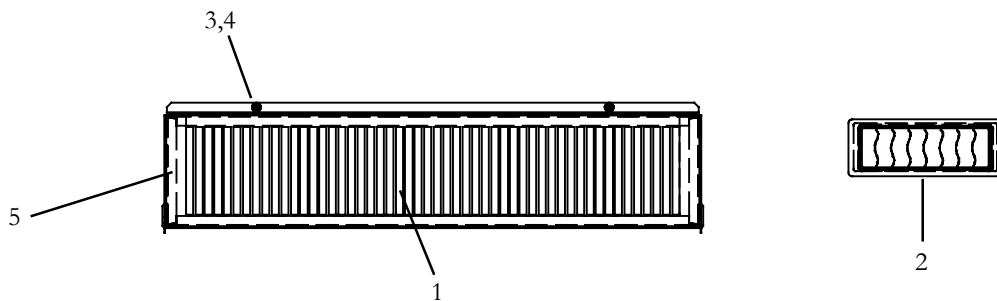


**1.11.4 COVER ASSEMBLY, EVAPORATOR, IW-2 (77-62134-07 & -08): OPTION 4**



Item	Part Number	Description	Qty
1	38-00573-06	Filter, Air, IW-2 (26.3 in. X 5.75 in.)	1
2	58-62042-00	Diffuser, Air, Adjustable Rect.	4
3	NSI	Screw, Hex Washhd, #10 -32 x 1.25	6
4	58-62206-01	Cover, IW2 Gray	1
	58-62206-00	Cover, IW2 White	1
5	68-63616-01	Grille, IW2	1

**1.11.4 COVER ASSEMBLY, EVAPORATOR, IW-2 (77-62134-12) COMPONENTS SUPPLIED: OPTION 5**



Item	Part Number	Description	Qty
1	38-00573-10	Filter, Air, IW-2 (27.88 in. X 5.75 in.)	1
2	58-62042-00	Diffuser, Air, Adjustable Rect.	4
3	NSI	Nut, Retaining, Tapped Hole-Chimney	2
4	AC801-307	Screw, 1/4 - 20 Knurled Head	2
N/S	NSI	Screw, Panhd, #10 -16 x .75 Black	6
N/S	AC801-414	Gasket, 3/8 x 1 in. soft	3 ln.ft.
5	68-63754-00	Grille, IW2	1

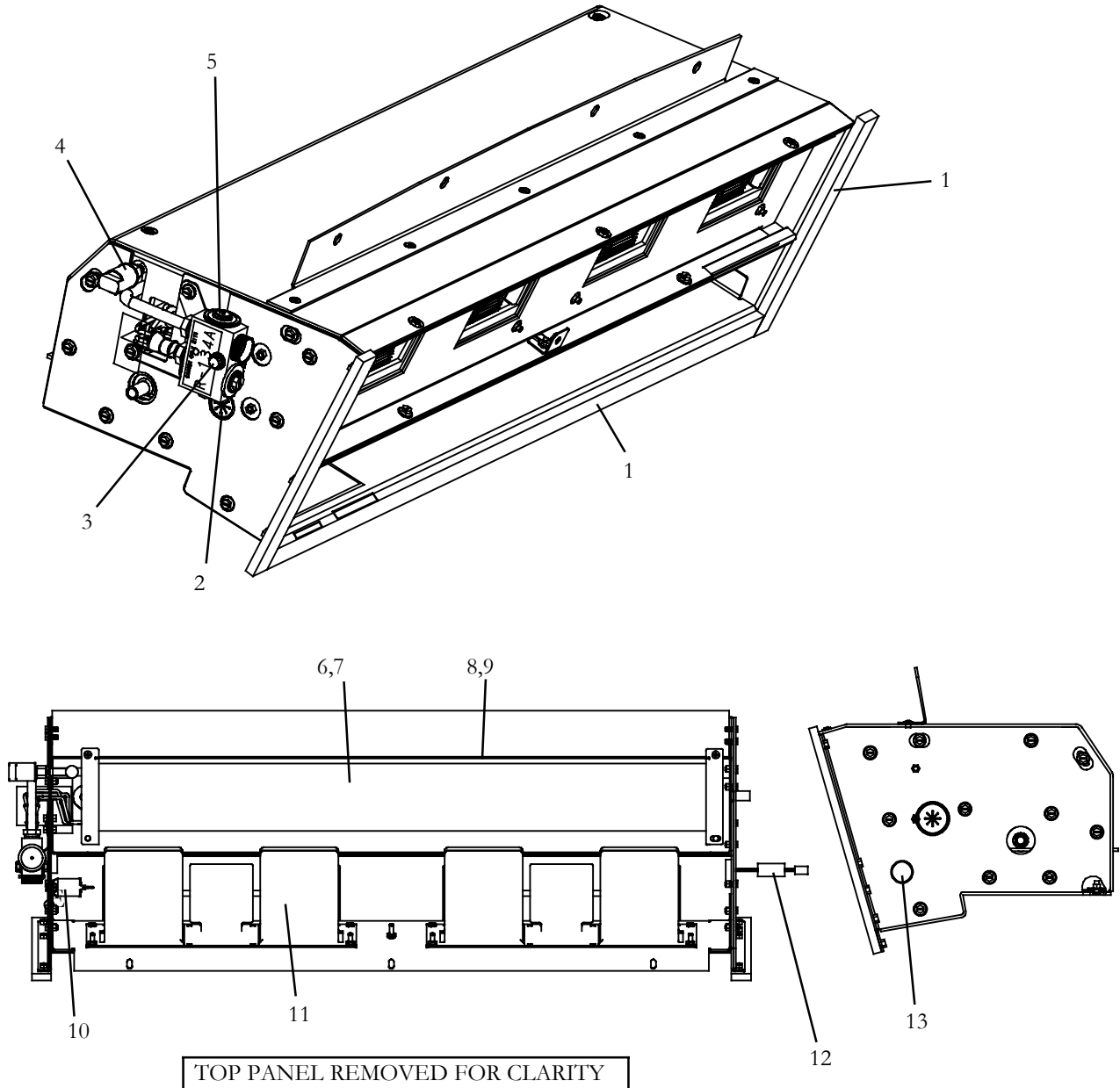
## 1.12 IW-4 IN-WALL EVAPORATORS

OPTION TABLE - IW-4,  
12 VDC - 3 Speed

<b>MODEL IW-4 77-62230</b>	<b>Cover Kit</b> <small>(see Section 1.12.3)</small>	<b>Chassis Kit</b> <small>(see Section 1.12.1)</small>	<b>Wire Harness</b> <small>(see Section 1.12.2)</small>
-00	1	1	1
-01	2	1	2



1.12.1 EVAPORATOR, IW-4 (77-62230-00 & -01) : OPTION 1



Item	Part Number	Description	Qty
N/S	77-62227-XX	Evaporator Chassis Assembly, IW-4 - Includes:	1
1	AC801-415	...Trim, Flexible	5 ft.
2	58-00661-04	...Bushing, 1.00 DIA Hole	1
3	AC701-101	...Nut, Speed, "J" Type ¼-20	1
4	AC201-412	...Pressure Switch, Low	1
5	14-00397-00	...Valve, Expansion	1
6	08-62080-00	...Coil, Evaporator, IW-4	1
7	AC022-743-9	...Gasket, ½ THK	1

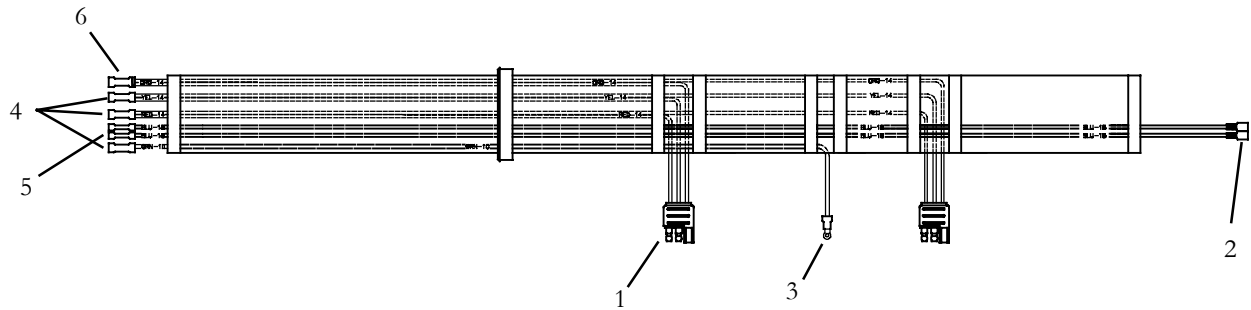


<b>1.12.1 EVAPORATOR, IW-4, (77-62230-00 &amp; -01) - Continued: OPTION 1</b>			
<b>Item</b>	<b>Part Number</b>	<b>Description</b>	<b>Qty</b>
8	86-62557-00	...Weld Assembly, Drain Pan	1
9	AC022-313-4	...Baffle, Drain Pan	1
10	12-00685-00	...Thermostat, Freeze Up Non-Adjustable	1
11	AC401-203	...Fan & Motor Assembly, 12 VDC	2
12	22-62294-00	...Harness, Evaporator, (Used on 77-62230-00) (See Section 1.12.2 )	1
	Y25-00006-00	...Harness, Evaporator, (Used on 77-62230-01) (See Section NO TAG )	1
13	Y39-00004-20	...Plug, Hole	1



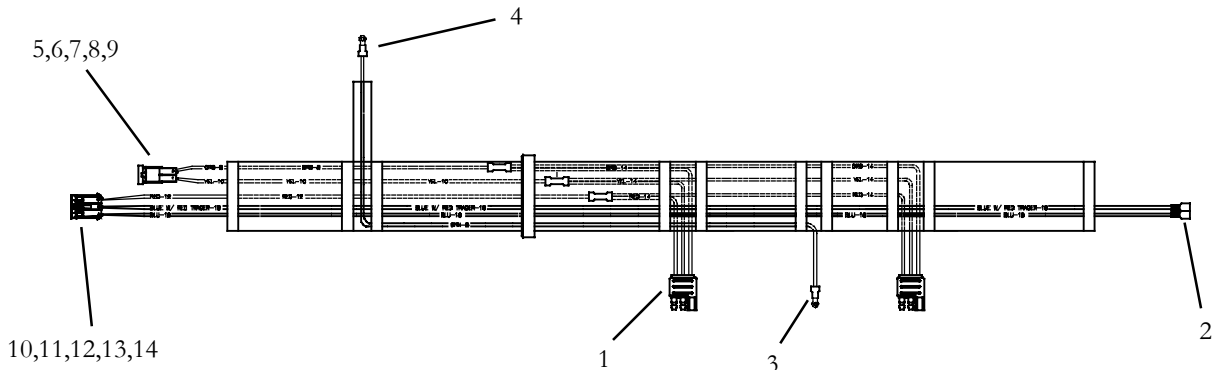
**NOTE: Complete Wire Harnesses are Non-Stock Items. Replace Components are Listed.**

**1.12.2 EVAPORATOR HARNESS, IW-4 12VDC (22-62294-00) : OPTION 1**



Item	Part Number	Description	Qty
1	22-62002-00	Connector, Plug (Motor)	2
2	22-01258-01	Terminal, Female Push-On, 18/22 AWG	2
3	22-01140-02	Terminal, Ring #10, 12/10 AWG	1
4	22-00066-03	Terminal, Butt Splice, 12/10 AWG	3
5	22-00066-01	Terminal, Butt Splice, 22/18 AWG	2
6	22-62221-02	Terminal, Butt, Step Down 12/10 - 8 AWG	1

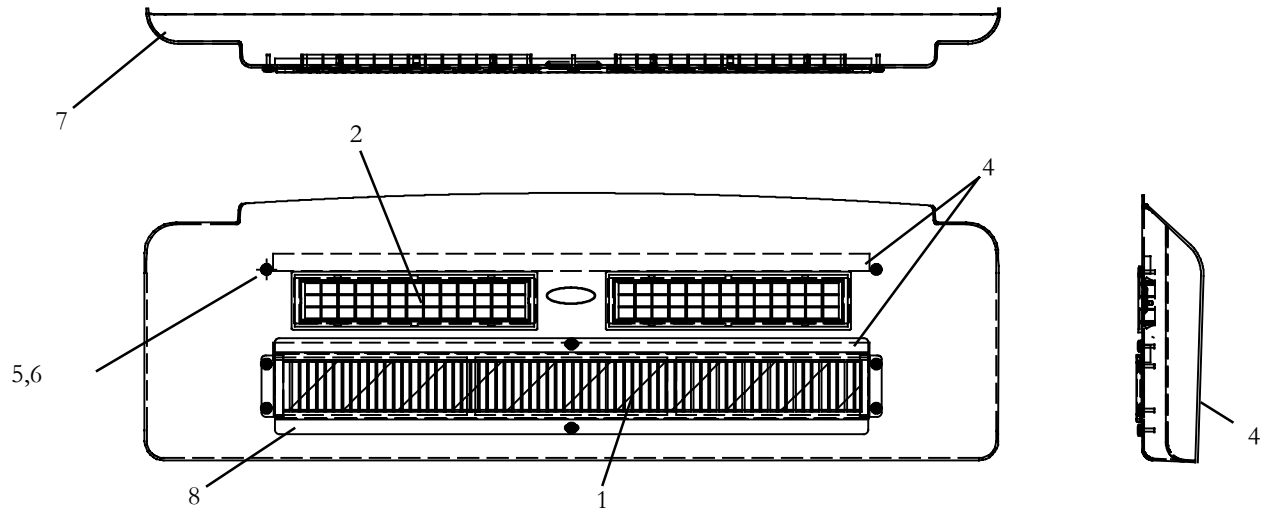
**1.12.2 EVAPORATOR HARNESS, IW-4 12VDC (Y25-00006-00): OPTION 2**



Item	Part Number	Description	Qty
1	22-62002-00	Connector, Plug (Motor)	2
2	22-01258-01	Terminal, Female Push-On, 18/22 AWG	2
3	22-00872-01	Terminal, Ring #10, 8 AWG	1
4	22-00872-03	Terminal, Ring, 5/16, 8 AWG	1
5	22-50098-67	Connector, 2 Pin Male	1
6	22-50098-67A	Terminal, Male, 10 AWG	1
7	22-50098-67B	Terminal, Male, 7-9 AWG	1
8	22-50098-67C	Cable Seal, 10 AWG	1
9	22-50098-67D	Cable Seal, 7-9 AWG	1
10	22-50078-86	Connector, 3 Pin Male	1
11	22-50078-49A	Terminal, Male, 18 AWG	2
12	22-50078-49C	Terminal, Male, 12 AWG	1
13	22-50078-53C	Cable Seal, 18 AWG	2
14	22-50078-53D	Cable Seal, 12 AWG	1

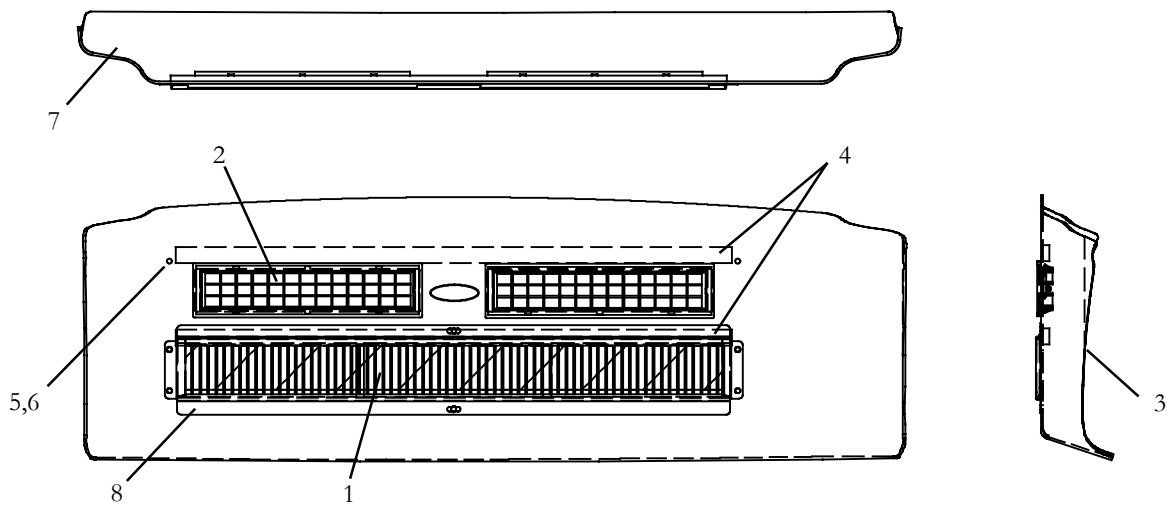


1.12.3 COVER ASSEMBLY, IW-4 USED ON (77-62230-00): OPTION 1



Item	Part Number	Description	Qty
-	79-62119-00	Cover Assembly, IW-4, TBB C2 Aftermarket, INCLUDES:	1
1	38-00573-11	...Filter, Air	1
2	58-62209-00	...Diffuser, Air	2
3	AC801-412	...Trim, Flexible	10.8 ft.
4	AC801-414	...Gasket	5.8 ft.
5	AC-801-529-2	...Washer, .25 DIA. Snap Cap	8
6	58-62217-04	...Cap, Snap, Dark Gray	8
7	58-62156-12	...Cover, White	1
8	68-63808-01	...Grille	1

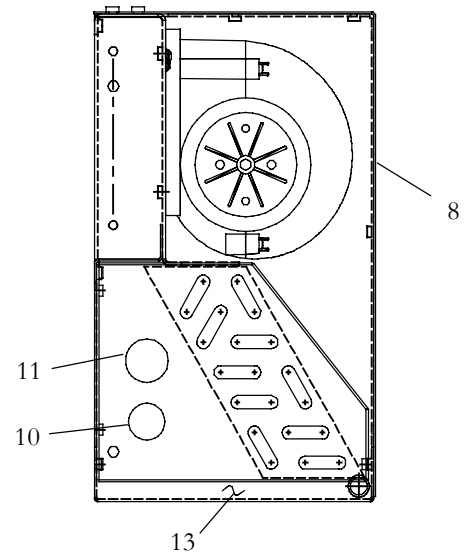
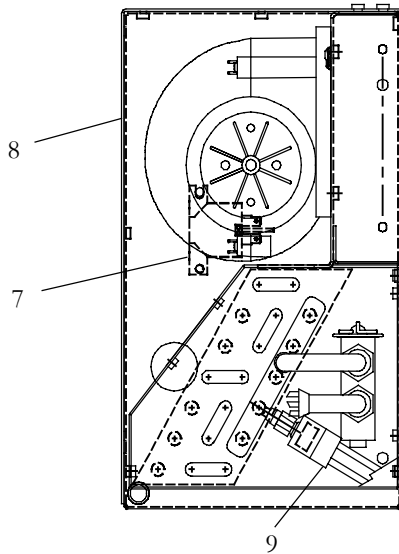
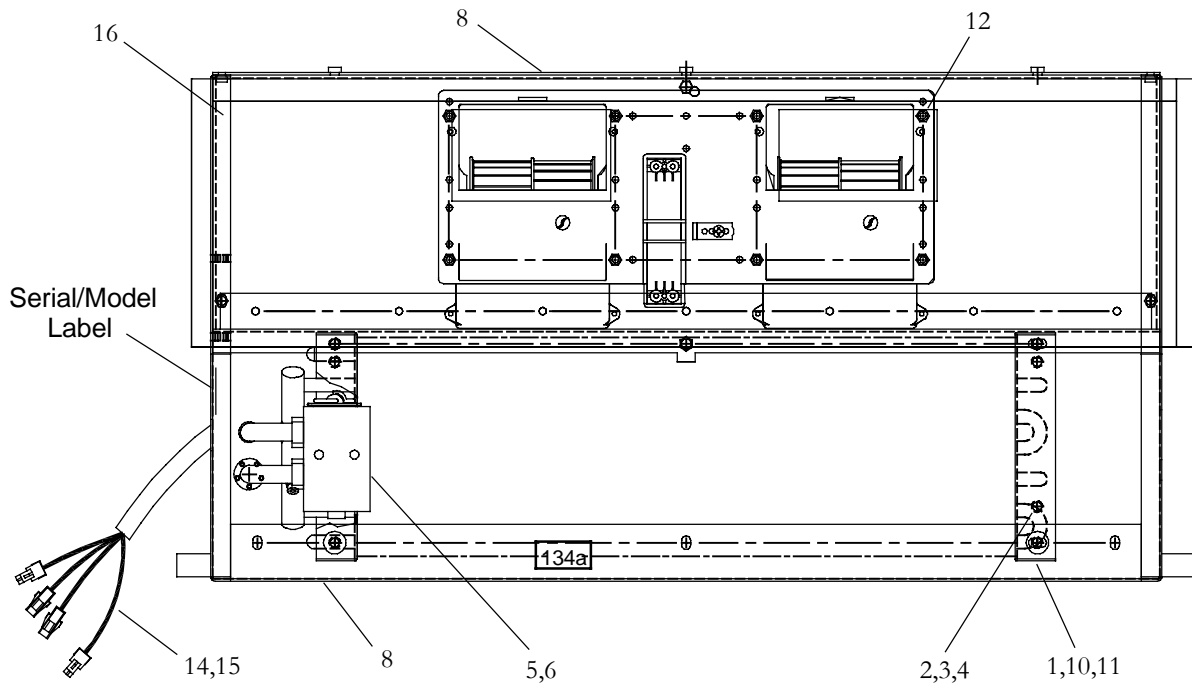
**1.12.3 COVER ASSEMBLY, IW-4 USED ON (77-62230-01): OPTION 2**



Item	Part Number	Description	Qty
-	79-62119-01	Cover Assembly, IW-4, TBB C2, OEM, INCLUDES:	1
1	38-00573-11	...Filter, Air	1
2	58-62209-00	...Diffuser, Air	2
3	AC801-412	...Trim, Flexible	10.8 ft.
4	AC801-414	...Gasket	5.8 ft.
5	AC-801-529-2	...Washer, .25 DIA. Snap Cap	8
6	58-62217-04	...Cap, Snap, Dark Gray	8
7	Y28-00014-00	...Cover, Gray	1
8	68-63808-01	...Grille	1

**1.13 IW-7 IN-WALL EVAPORATORS**

**1.13.1 EVAPORATOR, IW-7 (77-62131-00)**

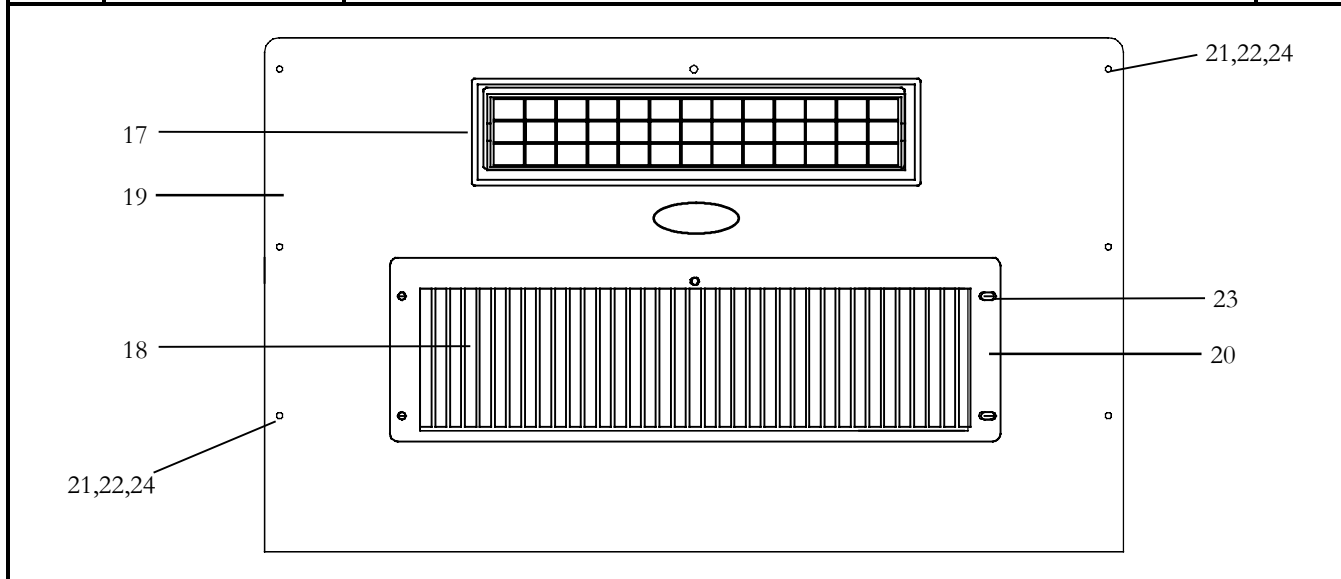


Item	Part Number	Description	Qty
-	NSS	Evaporator Chassis Assembly, IW-7 - Includes:	1
1	08-62045-00	...Coil, Evaporator, IW-7 - Includes:	1
2	40-01124-00	.....Body, Valve, Schrader, Brass, 1/4 SAE Flare - Includes:	1



**1.13.1 EVAPORATOR, IW-7, (77-62131-00) - Continued:**

Item	Part Number	Description	Qty
3	14-00351-00	.....Core, Access Valve, (Nickel Plated)	1
4	DD19CA061	.....Cap, Seal, Flare, 1/4 Inch	1
5	14-00397-00	...Valve, Thermal Expansion Block, (R134a)	1
6	AC801-202	...O-Ring, 1/2 Inch HNBR	2
7	12-00547-00	...Thermostat, Freeze-Up, Non Adjustable	1
8	AC801-416	...Gasket, Foam, 1/8 X 12-3/4 Inch (25 Ft. Roll)	1
9	AC201-412	...Switch, Low Pressure	1
10	58-00065-26	...Grommet, 3/4 Inch I.D.	2
11	58-00065-83	...Grommet, 1 Inch I.D.	2
12	54-00606-00	...Fan & Motor Assembly, Permanent Magnet, 12 VDC	1
13	AC022-313-3	...Baffle, Drain Pan	1
14	22-62175-00	...Harness, Evaporator, IW-7, Includes:	1
15	AC201-600	.....Diode, 6 Amp, 250 Volt	1
N/S	42-00032-01	...Tape, Insulation, Pressstite, 2.00 X 48.00 Inches Long	1
16	AC801-414	...Gasket, Foam, 3/8 X 1.00 Inch, (25 Foot Roll)	1
17	AC401-320	Diffuser, Air, EM-1/2/3/6, GEN 3 (Used With OEM Supplied Grill Assy)	1
18	38-00573-05	Filter, Air, IW-7, (5.5 X 19. Inches) (Used With OEM Supplied Grill Assy)	1
19	68-07965-00	Cover	1
20	68-07965-00	Grille	1
21	AC801-529	Washer, Snap Cap	12
22	AC801-531	Cap, Snap, White	12
23	NSI	Screw, Pan Head, TF, #10-16 X .63 Inch Long	6
24	NSI	Screw, Pan Head, #10-32 X .50 Inch Long, Zinc	6

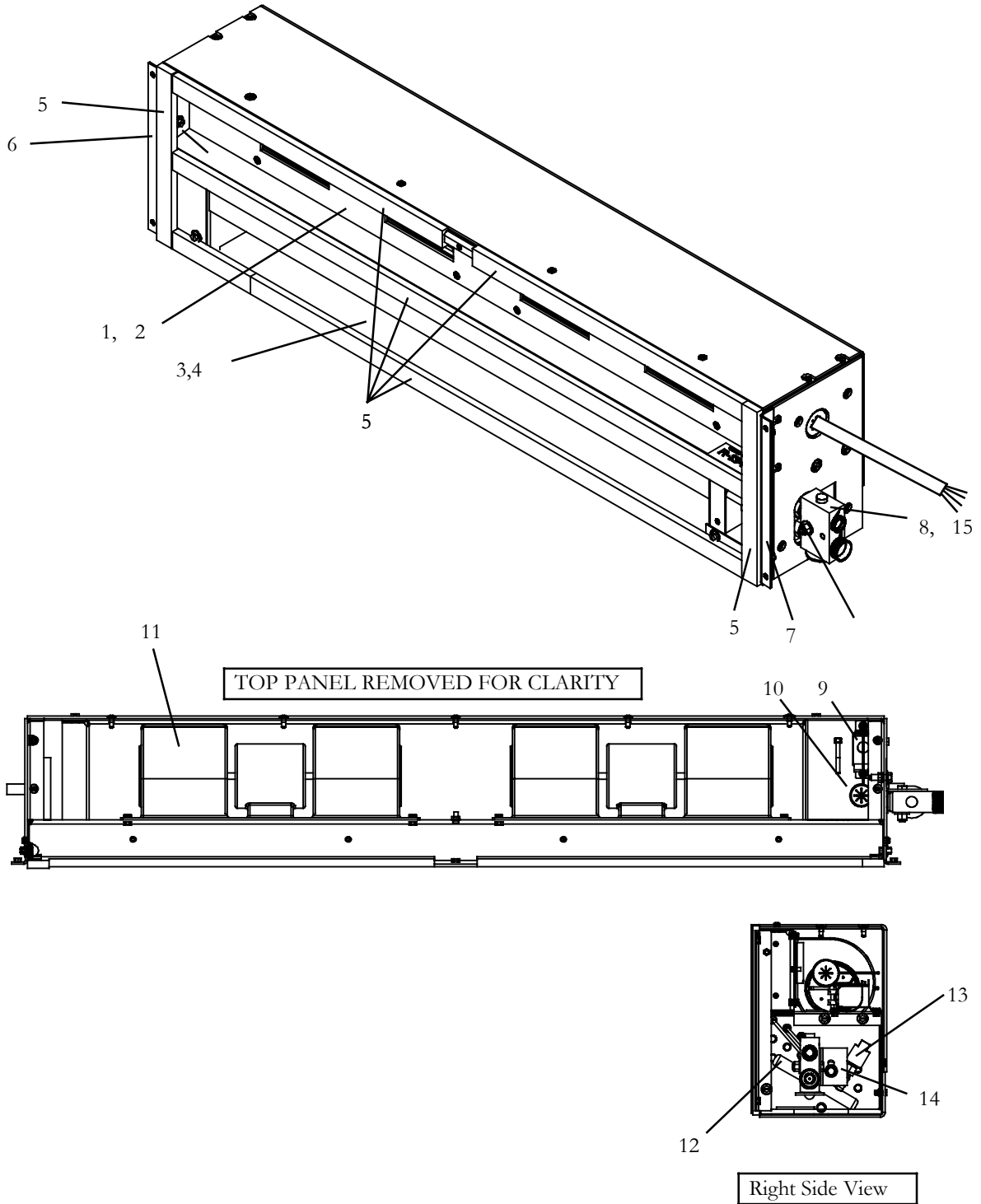


## 1.14 IW-10 IN-WALL EVAPORATORS

### OPTION TABLE - IW-10, 12 VDC - 3 Speed

<b>MODEL IW-10 77-62233</b>	<b>Cover Kit</b> <small>(see Section 1.14.4)</small>	<b>Chassis Kit</b> <small>(see Section 1.14.1)</small>	<b>Wire Harness</b> <small>(see Section 1.14.3)</small>	<b>Mount Brackets</b> <small>(see Section 1.14.2)</small>
-00	5	2	1	1
-01	5	2	1	1
-02	-	2	1	1
-03	2	2	1	1
-04	2	2	2	2
-05	3	2	1	1
-06	4	2	1	1
-07	6	2	1	1

**1.14.1 EVAPORATOR, Chassis Kit (77-62200-00), IW-10, (INACTIVE): OPTION 1**

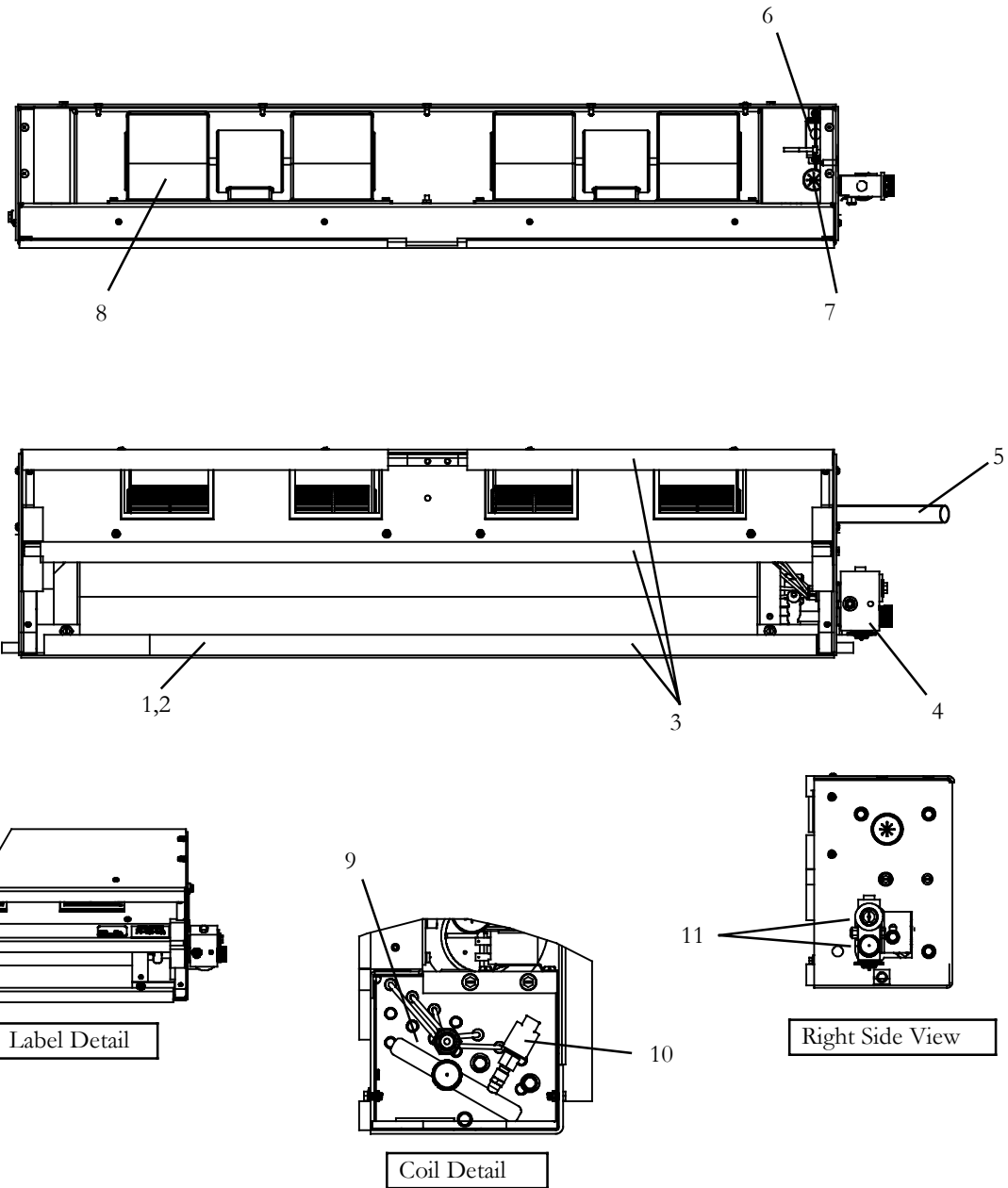




<b>1.14.1 EVAPORATOR, Chassis Kit (77-62200-00), IW-10, (INACTIVE) Continued: OPTION 1</b>			
<b>Item</b>	<b>Part Number</b>	<b>Description</b>	<b>Qty</b>
-	NSS	Evaporator Chassis Assembly, IW-10 - Includes:	1
1	68-63727-00	...Blower Panel Assembly	1
2	42-01266-00	...Insulation, Blower Panel Assembly	1
3	86-62509-00	...Weld Assembly, Bottom (Drain Pan w/Side Panels)	1
4	AC022-313-5	...Baffle, Drain Pan	1
5	AC801-414	...Gasket, 3/8 x 1 in. Soft	12 ft
6	68-08250-00	...Bracket, Mounting, LH	1
7	68-08211-00	...Bracket, Mounting, RH	1
8	14-00397-00	...Valve, Expansion (TXV)	1
9	12-00685-00	...Thermostat, Freeze Up, Non-Adjustable	1
10	58-00661-04	...Bushing, 1.00 in. DIA. Hole	1
11	AC401-203	...Fan & Motor Assembly	2
12	08-62076-00	...Coil Assembly, Evaporator	1
13	AC201-412	...Pressure Switch, Low	1
14	68-63410-00	...Bracket, TXV Mounting	1
15	AC801-202	...O-Ring,	2



**1.14.1 EVAPORATOR, Chassis Kit (77-62200-02 & -03), IW-10 : COMMOM PARTS: OPTION 2**





<b>1.14.1 EVAPORATOR, Chassis Kit (77-62200-02 &amp; -03), IW-10 : COMMOM PARTS : OPTION 2 (Continued)</b>			
<b>Item</b>	<b>Part Number</b>	<b>Description</b>	<b>Qty</b>
-	77-62200-XX	Evaporator Chassis Assembly, IW-10 - Includes:	1
1	86-62587-00	...Weld Assembly, Bottom (Drain Pan w/Side Panels)	1
2	AC022-313-5	...Baffle, Drain Pan	1
3	AC801-414	...Gasket, 3/8 x 1 in. Soft	12 ft
4	14-00397-00	...Valve, Expansion (TXV)	1
5	22-62297-00	...Harness, Evaporator, See Section 1.14.3	1
	Y25-00000-00	...Harness, Evaporator, See Section 1.14.3	1
6	12-00685-00	...Thermostat, Freeze Up, Non-Adjustable	1
7	58-00661-04	...Bushing, 1.00 in. DIA. Hole	1
8	AC401-203	...Fan & Motor Assembly	2
9	08-62076-00	...Coil Assembly, Evaporator	1
10	AC201-412	...Pressure Switch, Low	1
11	AC801-202	...O-Ring,	2

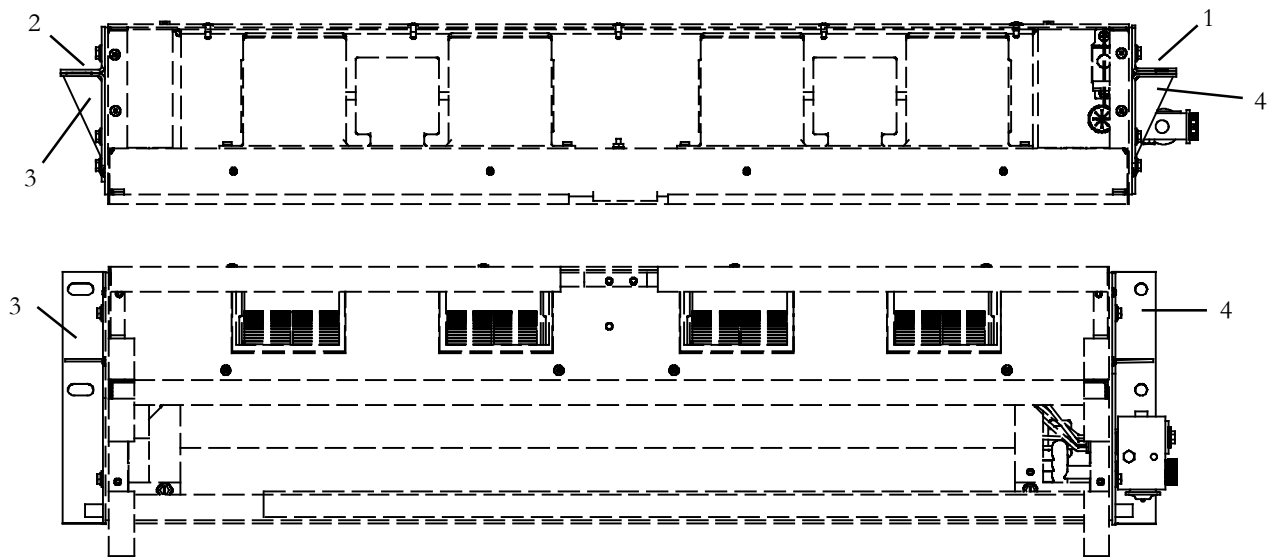


1.14.2 EVAPORATOR, Mounting Brackets, IW-10 : OPTION 1



Item	Part Number	Description	Qty
1	86-62588-00	...Weld Assembly, Mounting, RH Side	1
2	86-62589-00	...Weld Assembly, Mounting, LH Side	1

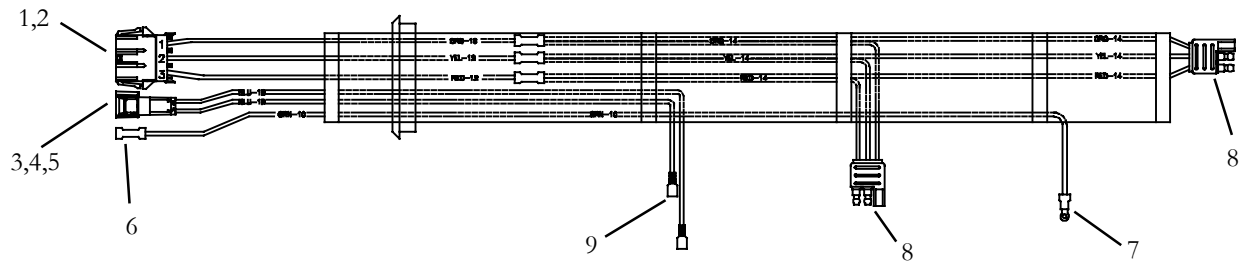
1.14.2 EVAPORATOR, Mounting Brackets, IW-10 : OPTION 2



Item	Part Number	Description	Qty
1	Y24-00021-00	...Bracket, Mounting, RH Side	1
2	Y24-00022-00	...Bracket, Mounting, LH Side	1
3	Y24-00023-00	...Weld Assembly, Mounting, LH Side	1
4	Y24-00024-00	...Weld Assembly, Mounting, RH Side	1

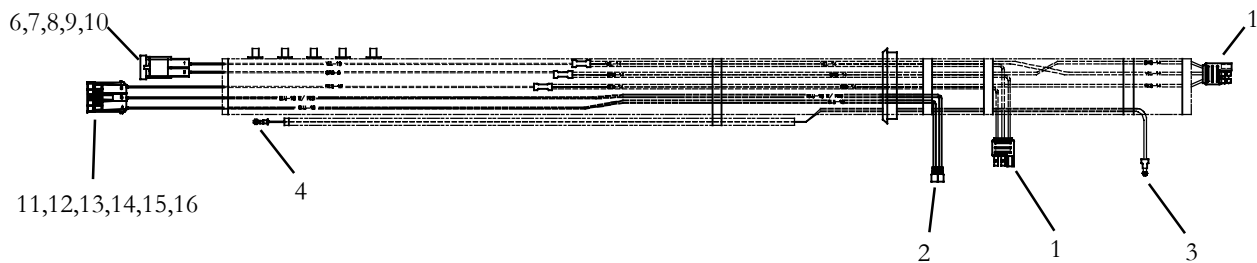
**NOTE: Complete Wire Harnesses are Non-Stock Items. Replace Components are Listed.**

**1.14.3 EVAPORATOR HARNESS, IW-10 12VDC (22-62297-00): OPTION 1**



Item	Part Number	Description	Qty
1	22-50099-32	Connector, Plug Housing (3 position)	1
2	22-50099-32A	Terminal, Male, 10/12 AWG	3
3	22-50099-37	Connector, Male Unsealed	1
4	22-50099-37A	Terminal, Male, 16/18 AWG	2
5	22-50099-37D	Lock, Secondary	1
6	22-00066-03	Terminal, Butt Splice, 10/12 AWG	1
7	22-01140-02	Terminal, Ring #10, 10/12 AWG	1
8	22-62002-00	Connector, Electrical, Motor	2
9	22-01258-01	Terminal, Female Push-on, 18/22 AWG	2

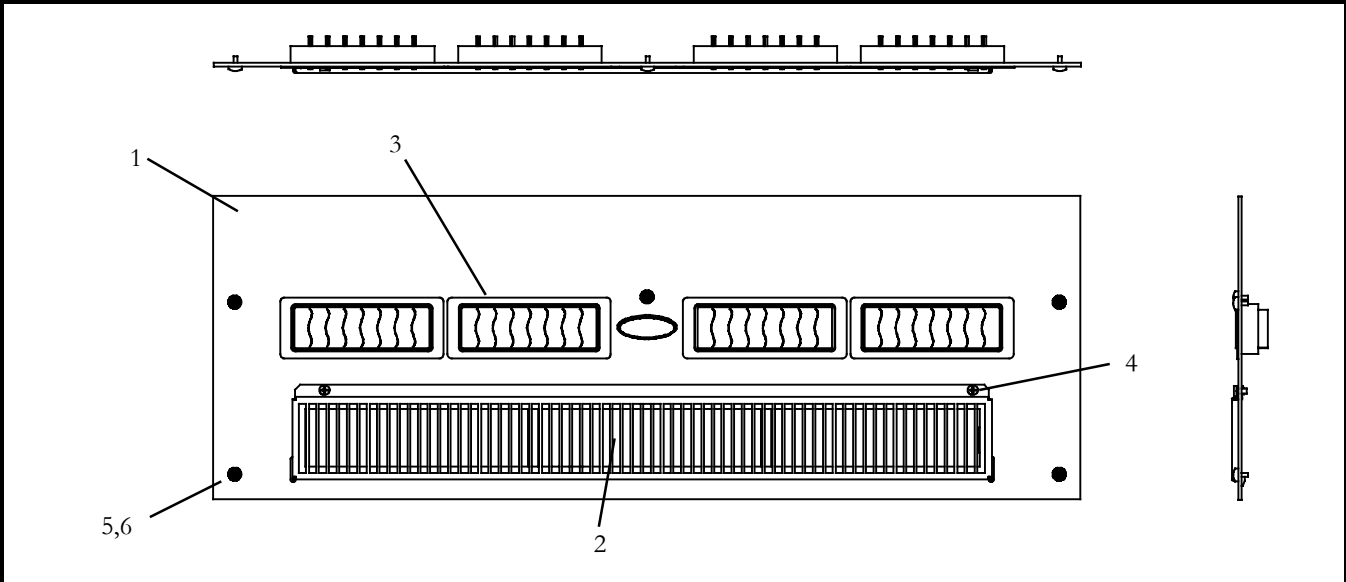
**1.14.3 EVAPORATOR HARNESS, IW-10 12VDC (Y25-00000-00): OPTION 2**



Item	Part Number	Description	Qty
1	22-62002-00	Connector, Plug (Motor)	2
2	22-01258-01	Terminal, Female Push-On, 18/22 AWG	2
3	22-00872-01	Terminal, Ring #10, 8 AWG	1
4	22-00872-03	Terminal, Ring 5/16, 8 AWG	1
5	58-00661-07	Bushing	1
6	22-50098-67	Connector, Male, 2 position	1
7	22-50098-67B	Terminal, Male, 8 AWG	1
8	22-50098-67D	Cable Seal, 8 AWG	1
9	22-50098-67A	Terminal, Male, 10/12 AWG	1
10	22-50098-67C	Cable Seal, 10/12 AWG	1
11	22-50078-86	Connector, Male, 3 position	1
12	22-50078-49A	Terminal, Male, 18 AWG	2
13	22-50078-53C	Cable Seal, 18 AWG	2
14	22-50078-49C	Terminal, Male, 12 AWG	1
15	22-50078-53D	Cable Seal, 12 AWG	1
16	22-50078-86A	Lock, Secondary	1



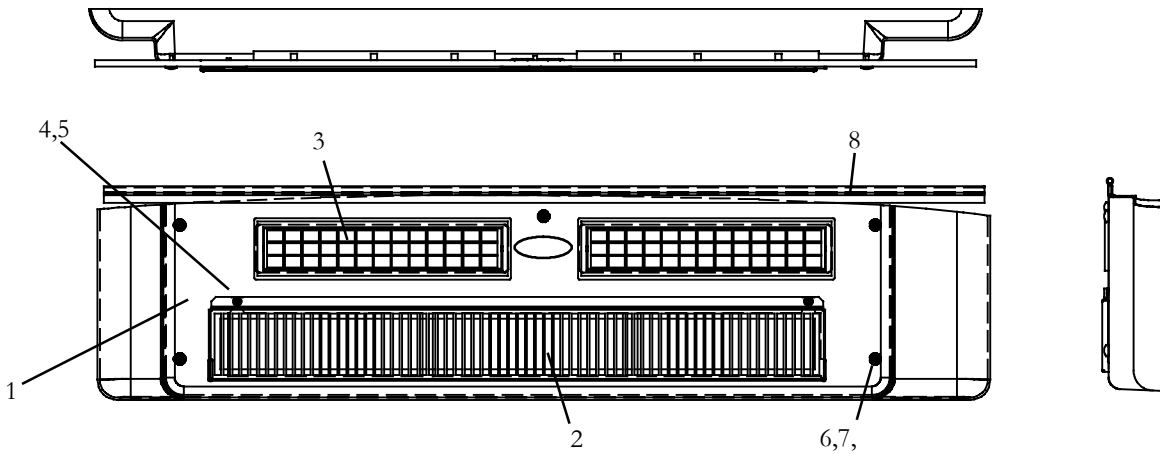
1.14.4 COVER ASSEMBLY, EVAPORATOR, IW-10: OPTION 1



Item	Part Number	Description	Qty
1	79-62125-00	Cover Assembly, White,	1
	79-62125-01	Cover Assembly, Light Gray,	1
2	38-00573-12	...Filter, Air, IW-10 (34.28 in. X 3.84 in.)	1
3	58-62042-00	...Diffuser, Air, Adjustable Rectangle	4
4	AC701-106-2	...Nut, Speed 'U', 1/4 - 20 x .19 Grip	2
5	AC801-529-1	...Washer, .15 DIA. Snap Cap	5
6	AC801-531	...Cap, Snap, White	5
	AC801-532	...Cap, Snap, Gray	5

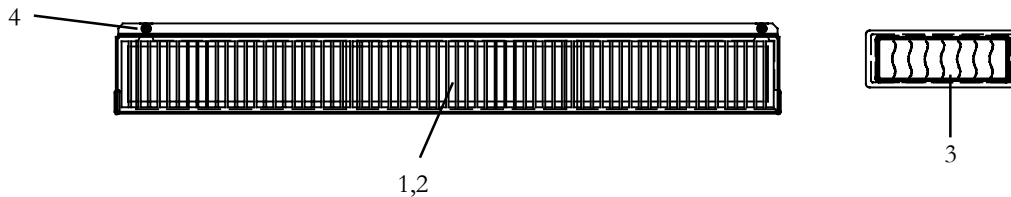


1.14.4 COVER ASSEMBLY, EVAPORATOR, IW-10: OPTION 2



Item	Part Number	Description	Qty
1	79-62125-03	...Cover, Gray, Formed, TBB Aftermarket, (Used On 77-62233-03)	1
	79-62125-04	...Cover, Gray, Formed, TBB OEM, (Used On 77-62233-04)	1
2	38-00573-12	...Filter, Air, IW-10 (34.28 in. X 3.84 in.)	1
3	58-62209-00	...Diffuser, Air, Adjustable Rectangle	2
4	AC701-106-2	...Nut, Speed 'U', ¼ - 20 x .19 Grip	2
5	AC801-307	...¼" - 20 x ¾" Screw, Nylon, Knurled Head	2
6	AC801-529-1	...Washer, .15 DIA. Snap Cap	5
7	AC801-531	...Cap, Snap, White	5
	AC801-532	...Cap, Snap, Gray	5
8	42-00264-63	...Seal, Trim, Black PVC/Neoprene	10 ft

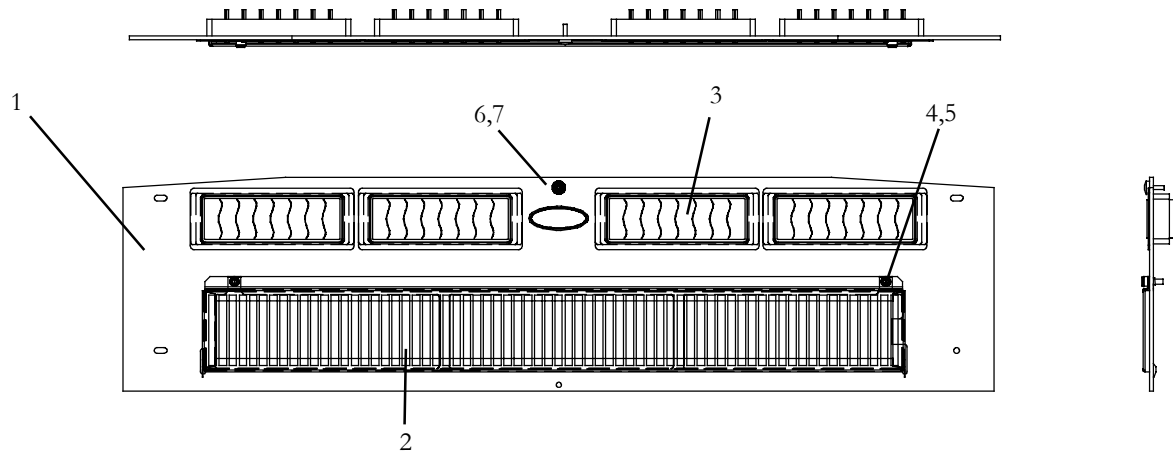
1.14.4 COVER ASSEMBLY, EVAPORATOR, IW-10: OPTION 3



Item	Part Number	Description	Qty
1	68-63737-00	Grille, Evaporator, IW-10	1
2	38-00573-12	Filter, Air, IW-10 (34.28 in. X 3.84 in.)	1
3	58-62042-00	Diffuser, Air, Adjustable Rect.	4
4	AC701-106-2	Nut, Speed 'U', ¼-20 x .19 Grip	2

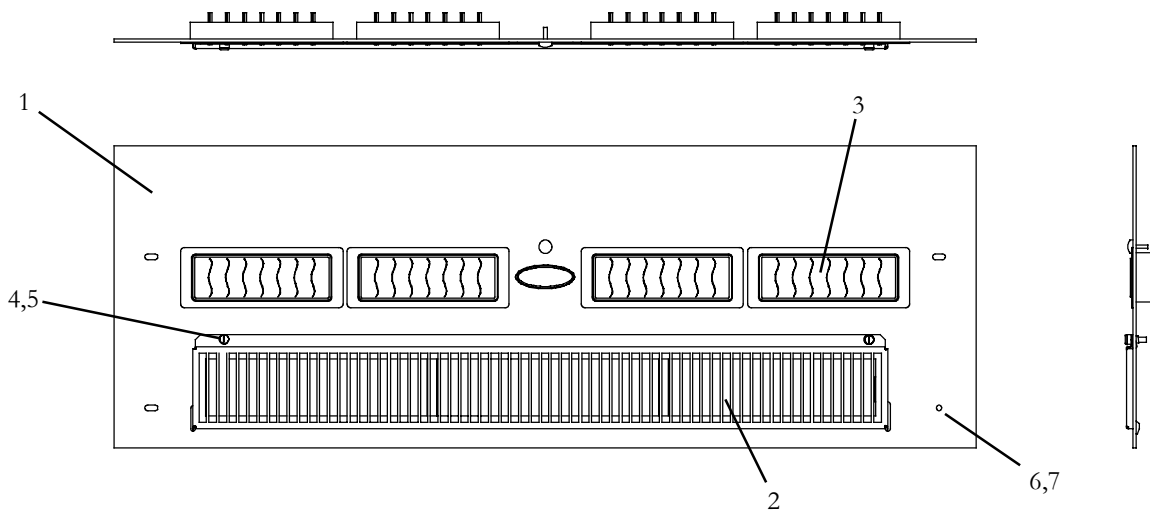


1.14.4 COVER ASSEMBLY, EVAPORATOR, IW-10: OPTION 4



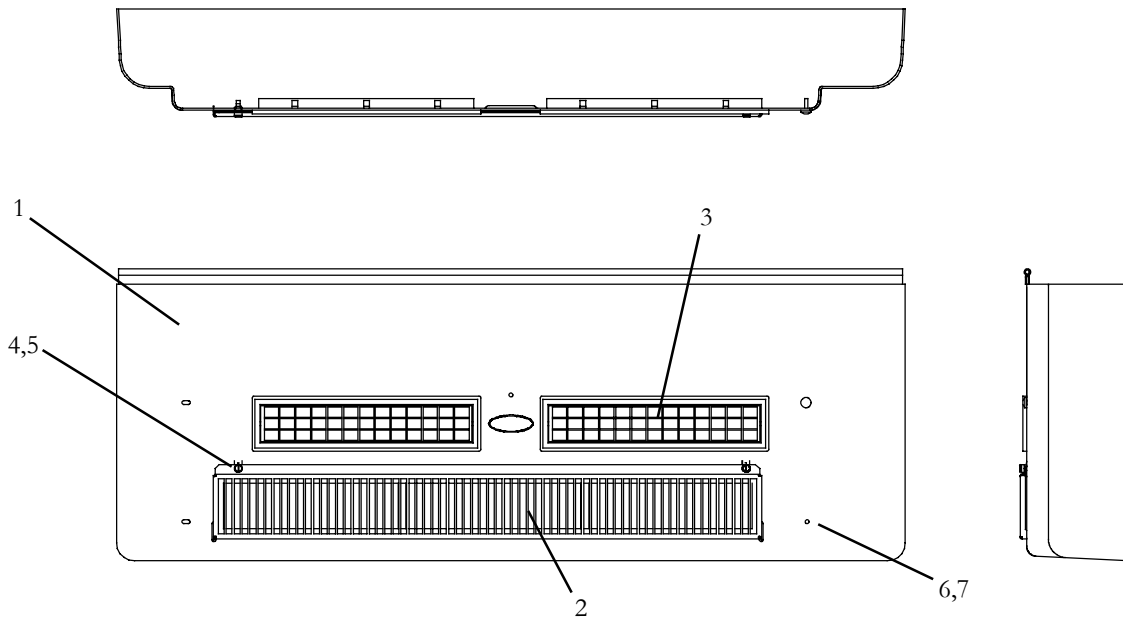
Item	Part Number	Description	Qty
1	79-62125-05	...Cover, White,	1
2	38-00573-12	...Filter, Air, IW-10 (34.28 in. X 3.84 in.)	1
3	58-62042-00	...Diffuser, Air, Adjustable Rectangle	4
4	AC701-106-2	...Nut, Speed 'U', ¼ - 20 x .19 Grip	2
5	AC801-307	...¼" - 20 x ¾" Screw, Nylon, Knurled Head	2
6	AC801-529-1	...Washer, .15 DIA. Snap Cap	5
7	AC801-531	...Cap, Snap, White	5

1.14.4 COVER ASSEMBLY, EVAPORATOR, IW-10: OPTION 5



Item	Part Number	Description	Qty
1	79-62125-06	...Cover, White,	1
	79-62125-07	...Cover, Gray	1
2	38-00573-12	...Filter, Air, IW-10 (34.28 in. X 3.84 in.)	1
3	58-62042-00	...Diffuser, Air, Adjustable Rectangle	4
4	AC701-106-2	...Nut, Speed 'U', ¼ - 20 x .19 Grip	2
5	AC801-307	...¼" - 20 x ¾" Screw, Nylon, Knurled Head	2
6	AC801-529-1	...Washer, .15 DIA. Snap Cap	5
7	AC801-531	...Cap, Snap, White	5

**1.14.4 COVER ASSEMBLY, EVAPORATOR, IW-10: OPTION 6**

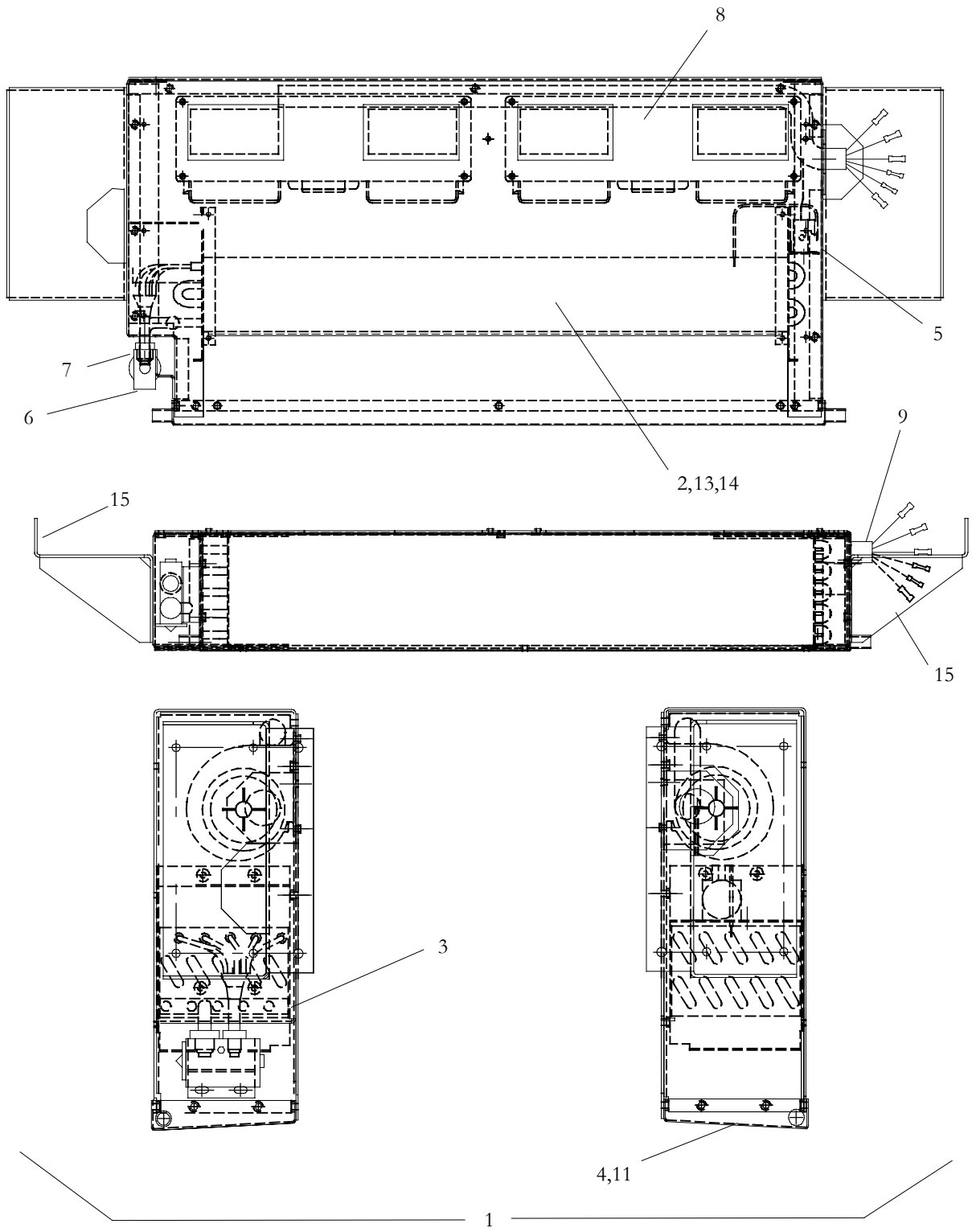


Item	Part Number	Description	Qty
1	79-62125-09	...Cover, White,	1
2	38-00573-12	...Filter, Air, IW-10 (34.28 in. X 3.84 in.)	1
3	58-62209-00	...Diffuser, Air, Adjustable Rectangle	2
4	NSI	...Nut, Tapped Hole	2
5	AC801-307	...1/4" - 20 x 3/4" Screw, Nylon, Knurled Head	2
6	AC801-529-1	...Washer, .15 DIA. Snap Cap	5
7	AC801-531	...Cap, Snap, White	5



1.15 IW-14 IN-WALL EVAPORATORS

1.15.1 EVAPORATOR, IW-14, (77-62080-00)

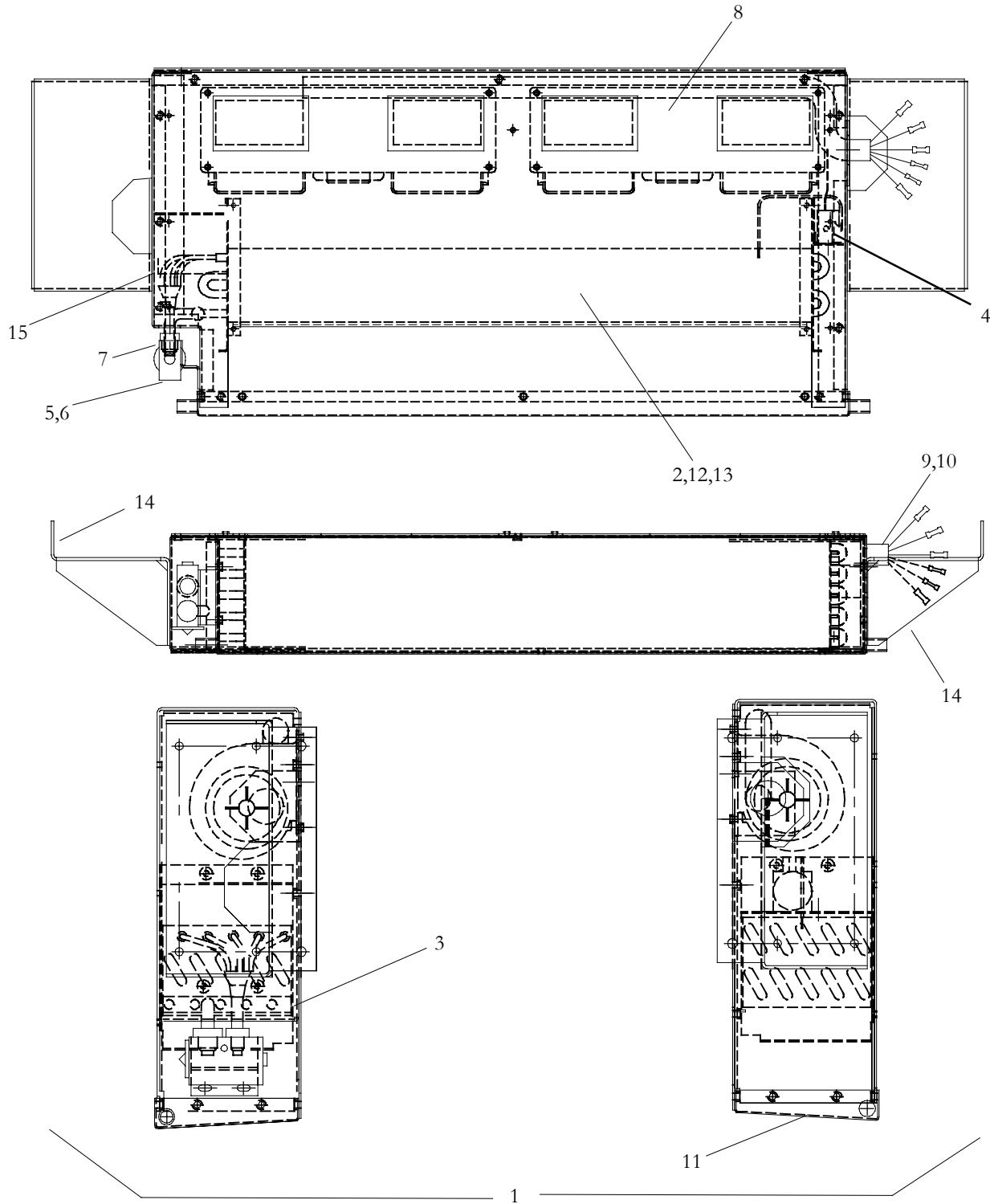




<b>1.15.1 EVAPORATOR, IW-14, (77-62080-00) - Continued:</b>			
<b>Item</b>	<b>Part Number</b>	<b>Description</b>	<b>Qty</b>
1	NSS	Chassis Assembly, Evaporator, IW-14 - Includes:	1
2	08-62064-00	...Coil Assembly, 4 Row, W/O Reheat	1
3	AC801-416	...Gasket, Foam, 1/8 X 12-3/4 Inch (300Ft. Roll)	1
4	AC022-746-1	...Gasket, Drain Pan, .50 Thick X 5.50 X 33.25	1
5	12-00685-00	...Thermostat, Freeze-Up, Non Adjustable	1
6	14-00397-00	...Valve, Thermal Expansion Block, (R134a)	1
7	AC801-202	...O-Ring, 1/2 Inch HNBR	2
8	AC401-203	.....Blower Assembly, EM-14, 12 VDC	2
9	AC022-744	.....Harness, Evaporator, EM-14, (12/24 VDC) - Includes:	1
10	22-62002-00	.....Connector, Molded Plug With 60.00 Inch leads	2
11	86-62262-00	...Panel Assembly, Drain Pan	1
12	42-00032-00	...Tape, Insulation, Presstite, 2.00 Inch X 30 Feet Long	1
13	AC801-414	...Gasket, Foam, 3/8 X 1 Inch X 25 Foot Roll	1
14	AC022-743	...Gasket, Foam, 0.12 Thick X 3.50 Wide X 26.25 Inches Long	1
15	68-63268-00	...Bracket, Mounting	2



1.15.2 EVAPORATOR, IW-14, WITH LP SWITCH (77-62080-01)

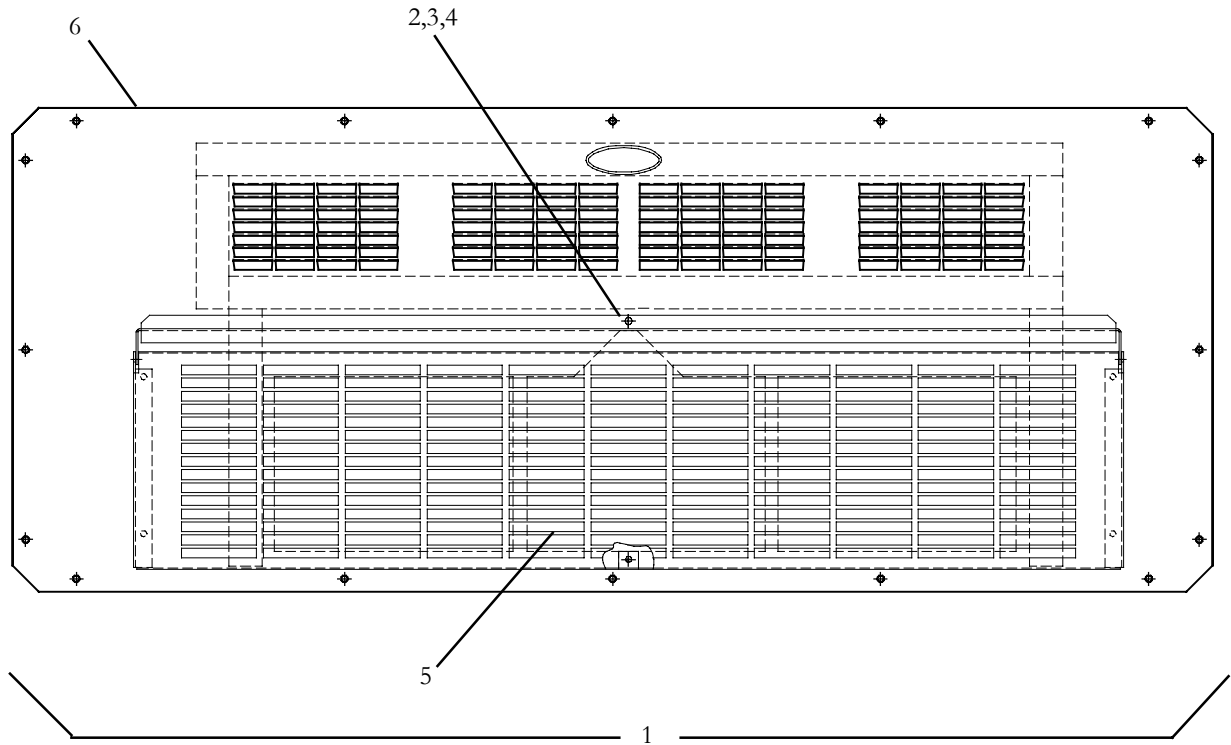




<b>1.15.2 EVAPORATOR, IW-14, WITH LP SWITCH (77-62080-01) - Continued:</b>			
<b>Item</b>	<b>Part Number</b>	<b>Description</b>	<b>Qty</b>
1	NSS	Chassis Assembly, Evaporator, IW-14 - Includes:	1
2	08-62064-00	...Coil Assembly, 4 Row - Includes:	1
3	AC801-416	...Gasket, Foam, 1/8 X 12-3/4 Inch x 25 Feet Roll	1
4	12-00685-00	...Thermostat, Freeze-Up, Non Adjustable	1
5	14-00397-00	...Valve, Thermal Expansion Block, (R134a)	1
6	42-00032-00	...Tape, Insulation, Presstite, 2.00 Inch X 30 Feet Long	1
7	AC801-202	...O-Ring, 1/2 Inch HNBR	2
8	AC401-203	.....Blower Assembly, EM-14, 12 VDC	2
9	22-62240-01	.....Harness, Evaporator, EM-14, (12/24 VDC) - Includes:	1
10	22-62002-00	.....Connector, Molded Plug With 60.00 Inch leads	2
11	86-62497-00	...Drain Pan Assembly,	1
12	AC801-414	...Gasket, Foam, 3/8 X 1 Inch X 25 Foot Roll	1
13	AC022-743	...Gasket, Foam, 0.12 Thick X 3.50 Wide X 26.25 Inches Long	1
14	68-63268-00	...Bracket, Mounting	2
15	AC201-412	...Switch, Low Pressure	1



1.15.3 GRILL ASSEMBLY, EVAPORATOR, IW-14, (77-62080-00 & -01)

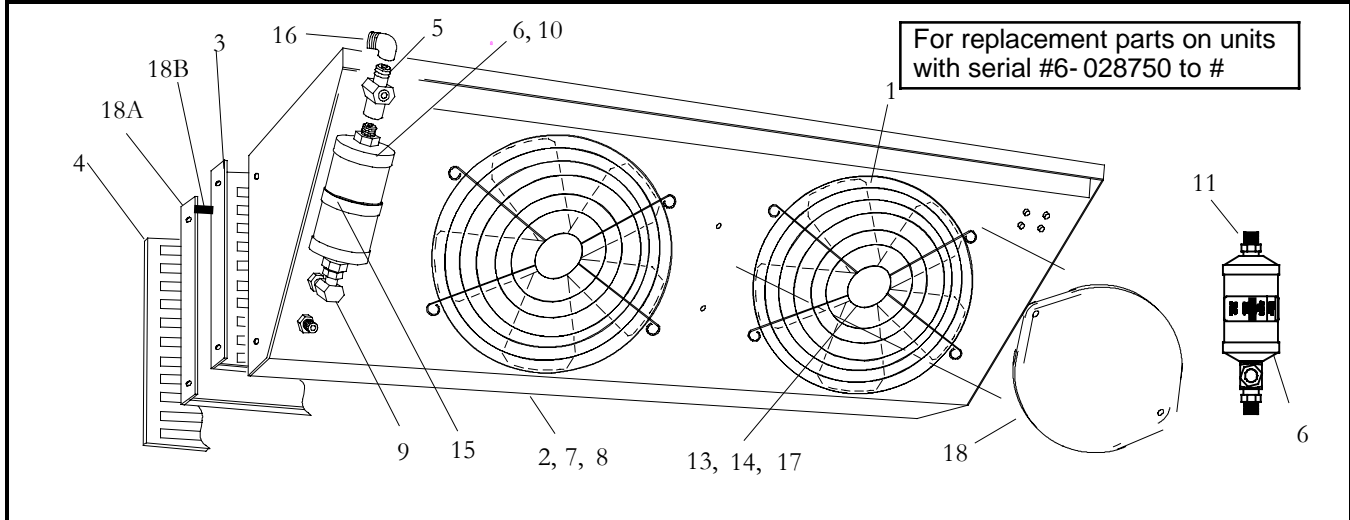


Item	Part Number	Description	Qty
1	79-62064-00	Grill Assembly IW-14, Includes:	1
2	34-62019-00	.....Receptable, 1/4 Turn	1
3	34-62020-00	.....Stud, 1/4 Turn, .25 Grip Range	1
4	34-06169-01	.....Washer, Retaining	1
5	38-00573-01	.....Filter, Air, 36.5 X 9 X .12 Inch (EM-1 GEN 5)	1
6	AC801-403	.....Gasket, Foam, 1-1/4 X 1-1/4 Inch (25 Foot Roll)	1

## SECTION 2 - CONDENSERS

### SECTION 2.1 CM-2 CONDENSERS

#### 2.1.1 CONDENSER, CM-2, GEN 4



Item	Part Number	Description	Qty
1	AC030-234	Guard, Fan (Not used with 54-00618-01)	2
2	AC033-219	Coil Assembly, With Pressure Switches, (Before serial #6-050555)	1
	08-62035-00	Coil Assembly (Beginning serial #6-050555)	1
3	AC033-134P	Grill, Condenser Mounted	1
4	AC033-136	Grill, Bus Skirt Mounted	1
5	AC101-200	Sightglass	1
6	AC101-312	Filter Drier, 16 Cubic Inch, 1/2 Inch MFO (Before serial #6-050555)	1
	14-00288-00	Filter Drier/Sightglass Combination, (Beginning with serial #6-050555)	1
7	AC201-414	Switch, High Pressure	1
8	AC201-412	Switch, Low Pressure	1
9	AC301-441	Fitting, Swivel Union, 1/2 Inch Female Flare X 1/2 Inch Female Flare	1
	40-62036-00	Fitting, Swivel Union, 1/2 Inch Female O-Ring X 1/2 Inch Female O-Ring	1
10	AC801-220	O-Ring, 1/2 Inch MF-O, (Old)	2
11	AC801-202	O-Ring, 1/2 Inch HNBR, (New)	2
12	54-00618-01	Fan & Motor Asy., Vector, 12V, W/Fuse, 11 In. (No Repl. Motor) Includes:	2
12A	22-02336-25	.....Fuse, 20 Amp	1
13	AC401-110	Assembly, Fan, 12 VDC - Includes:	2
	54-50080-00	...Motor, Fan, 12 VDC	1
	44-50024-00	...Clip, Fan Blade	1
14	CM205-197	Assembly, Fan, 24 VDC	2
15	AC701-269	Clamp, Worm Gear, (Filter Drier)	1
16	NSI	Fitting, 90°, 1/2 Inch Male Flare X 1/2 Inch Female Flare	1
17	22-62123-00	Harness, Condenser, CM-2	1
-	AC033-146	Kit, Winterization, Consisting Of:	1
18	AC033-145	.....Cover, Fan, (Winterguard)	2
18A	AC033-142	.....Cover, Coil, (Winterguard)	1
18B	AC801-412F25	.....Gasket, Trim Seal, Black (25 Ft. Roll)	1

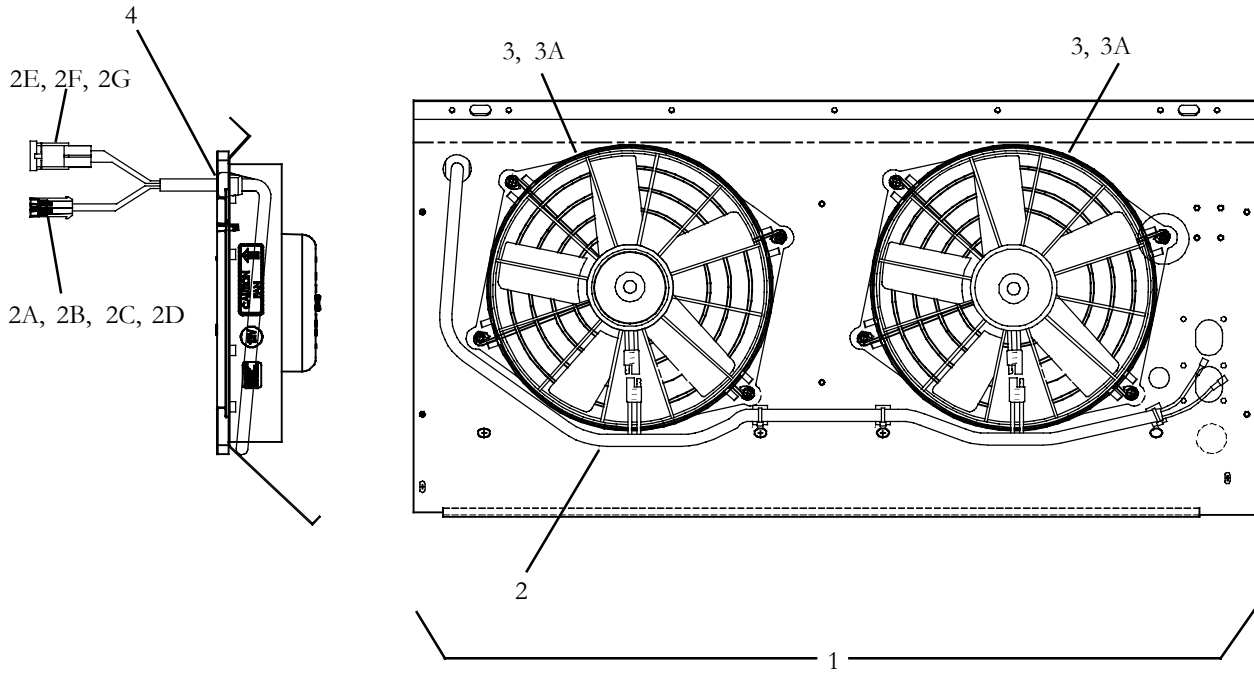


OPTION TABLE CM2 MCHX 77-01299 UNITS

<b>MODEL CM2 MCHX (Top Level) 77-01299-XX</b>	<b>Chassis Kit (See Section 2.1.4)</b>	<b>Venturi Panel (See Section 2.1.2)</b>	<b>Grill (See Section 2.1.8)</b>
-00	1	5	N/A
-11	1	5	1
-12	1	2	1
-16	1	1	N/A
-20	1	5	2
-21	1	3	3
-22	1	3	3
-30	1	5	2
-40	1	5	4
-60	1	4	1
-61	1	4	2
-62	1	4	4
-96	1	5	2



2.1.2 CONDENSER, CM-2, MCHX, VENTURI ASSEMBLY: OPTION 1



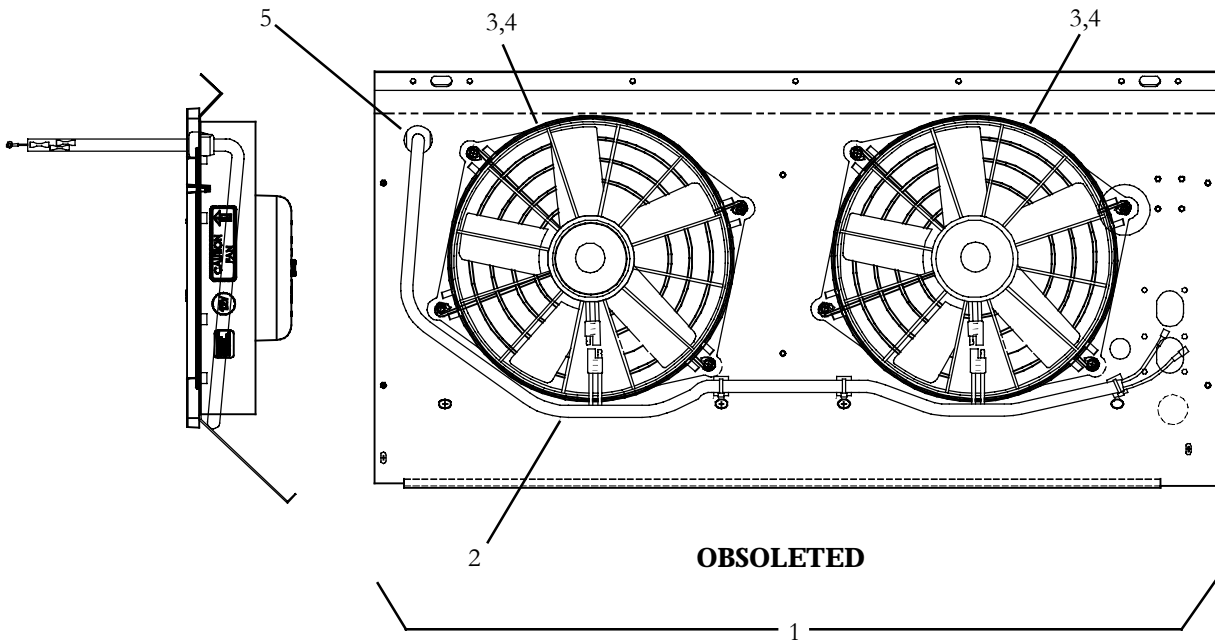
REFERENCE KIT 77-01286-00 A

Item	Part Number	Description	Qty
1	NSI	Venturi Assembly, CM-2 12VDC - Includes:	1
2	22-62206-00	...Harness, Connector, CM-2 - Includes:	1
2A	22-50078-72	.....Connector, Male	1
2B	22-50078-46A	.....Terminal, Male	2
2C	22-50078-50A	.....Seal, Cable	2
2D	22-50078-72A	.....Lock, Secondary	1
2E	22-50098-67	.....Connector, 2 Pin Black	1
2F	22-50098-67B	.....Terminal, Male	2
2G	22-50098-67D	.....Seal, Cable	2
3	54-00618-01	...Fan & Motor Assembly, Vector, 12V W/Fuse (No Repl. Motor) Includes:	2
3A	22-02336-25	.....Fuse, 20 Amp	1
4	58-62019-00	...Bushing, Strain Relief	1





2.1.2 CONDENSER, CM-2, MCHX, VENTURI ASSEMBLY: OPTION 2

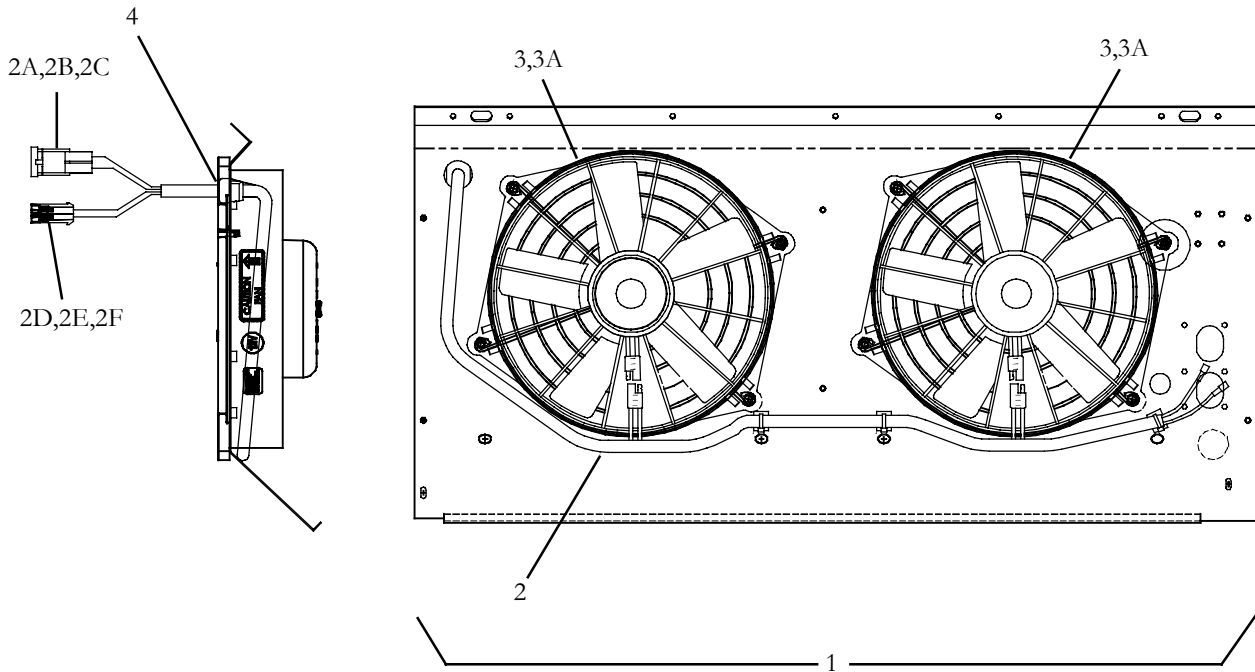


REFERENCE KIT 77-01286-01 A

Item	Part Number	Description	Qty
1	NSI	Venturi Assembly, CM-2 12VDC - Includes:	1
2	22-62123-00	...Harness, Condenser, CM-2	1
3	54-00618-01	...Fan & Motor Assembly, Vector, 12V, W/Fuse (No Repl. Motor) Includes:	2
4	22-02336-25	.....Fuse, 20 Amp	1
5	58-62019-00	...Bushing, Strain Relief	1



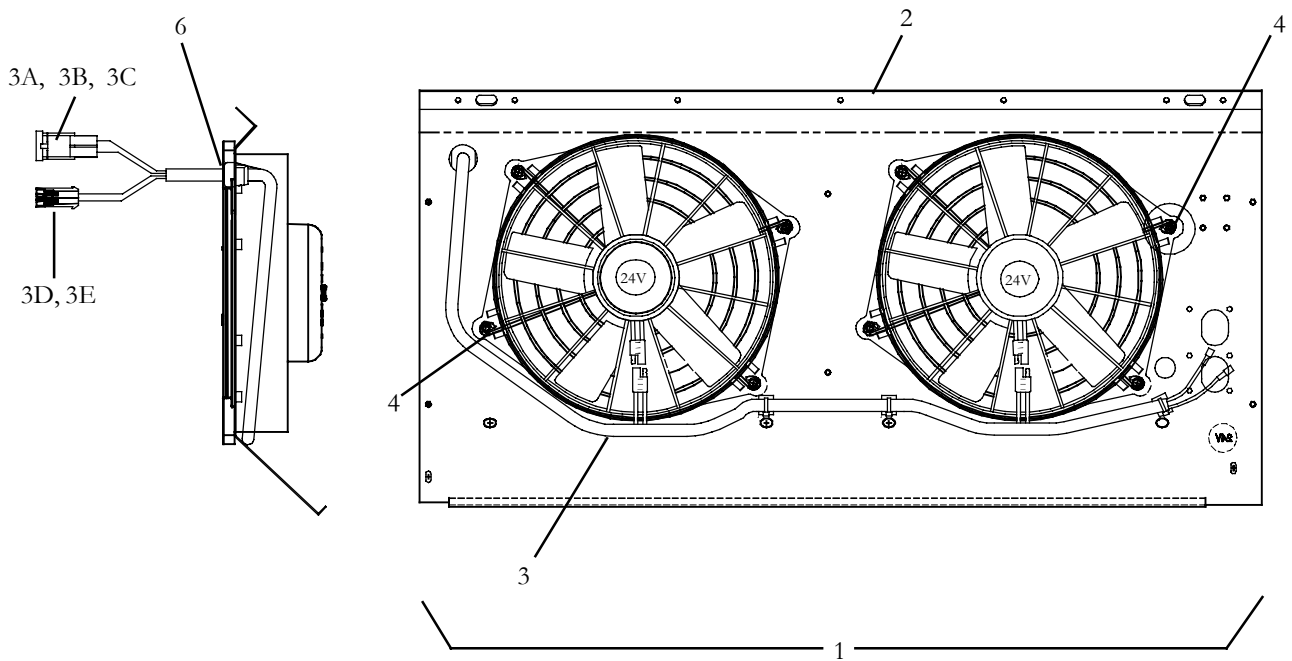
2.1.2 CONDENSER, CM-2, MCHX, VENTURI ASSEMBLY: OPTION 3



REFERENCE KIT 77-01286-03 D

Item	Part Number	Description	Qty
1	NSI	Venturi Assembly, CM-2 12VDC - Includes:	1
2	22-62260-00	...Harness, Condenser, CM-2 - Includes:	1
2A	22-02392-00	.....Connector, Male, 2 Pin Black	1
2B	22-02393-01	.....Terminal, Male, (18-20 AWG)	2
2C	22-02394-00	.....Seal, Cable, Gray	2
2D	22-50078-40	.....Connector, 2 Pin, Female, Black	1
2E	22-50098-67B	.....Terminal, Female, (10 AWG)	2
2F	22-50098-67D	.....Seal, Cable, Orange	2
3	54-00618-01	...Fan & Motor Assembly, Vector, 12V W/Fuse (No Repl. Motor) Includes:	2
3A	22-02336-25	.....Fuse, 20 Amp	1
4	58-62019-00	...Bushing, Strain Relief	1

**2.1.2 CONDENSER, CM-2, MCHX, VENTURI ASSEMBLY (24V): OPTION 4**

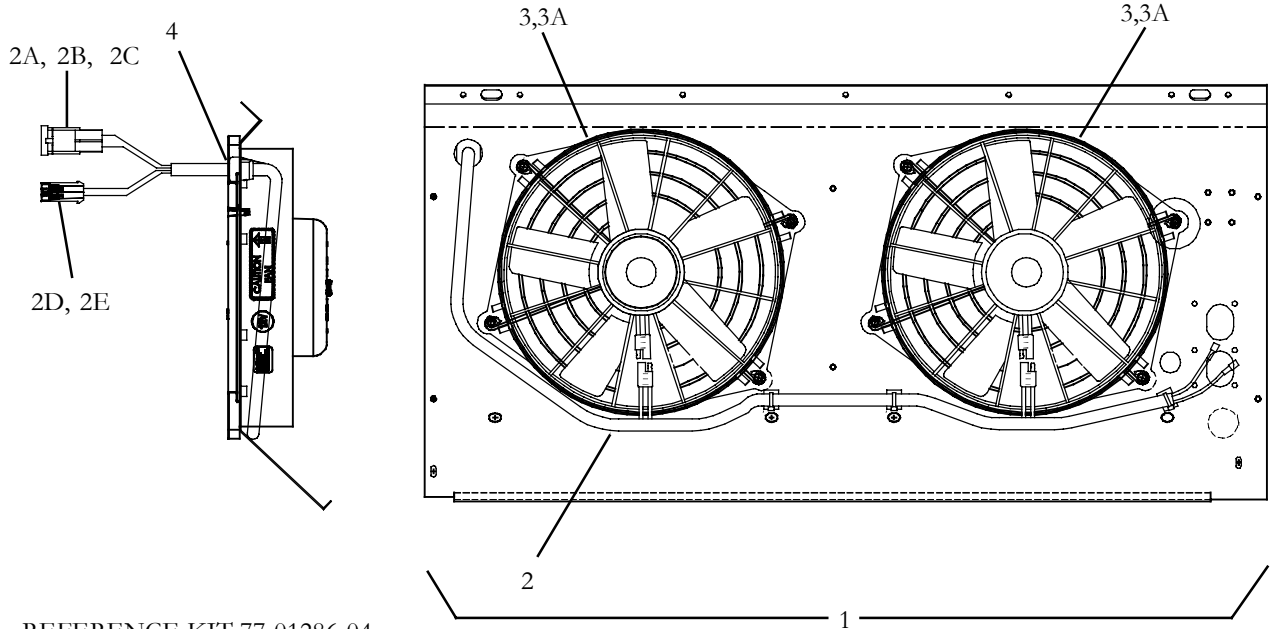


REFERENCE KIT 77-01286-60

Item	Part Number	Description	Qty
1	NSI	Venturi Assembly, CM-2 24VDC - Includes:	1
2	AC030-234	...Guard, Fan, Condenser	2
3	22-62273-00	...Harness, Condenser, CM-2 - Includes:	1
3A	22-02392-00	.....Connector, 2 Pin, Black	1
3B	22-02393-01	.....Terminal, Male, (18-20 AWG)	2
3C	22-02394-00	.....Seal, Cable, Gray	2
3D	22-50371-00	.....Connector, 2 Pin	1
3E	22-50372-00	.....Terminal, Male (8 AWG)	2
4	54-00545-00	...Fan & Motor Assembly, 24V	2
5	66U1-3882	...Wire Tie, Self-Locking, 7.00 Inches, Black	3
6	58-62019-00	...Bushing, Strain Relief	1



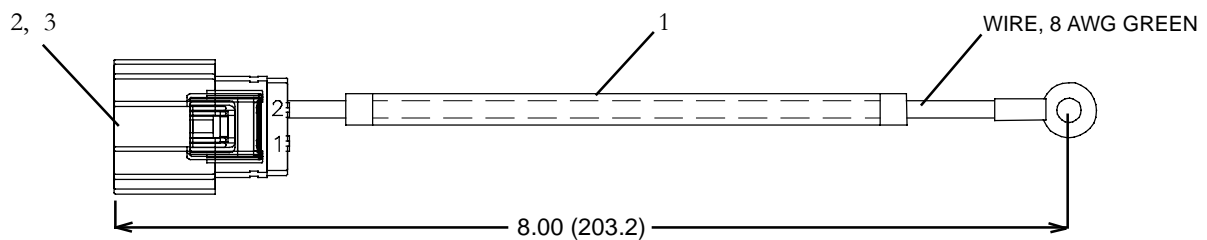
**2.1.2 CONDENSER, CM-2, MCHX, VENTURI ASSEMBLY (12V): OPTION 5**



REFERENCE KIT 77-01286-04

Item	Part Number	Description	Qty
1	NSI	Venturi Assembly, CM-2 12VDC - Includes:	1
2	22-62273-00	...Harness, Condenser, CM-2 - Includes:	1
2A	22-02392-00	....Connector, Male, 2 Pin Black	1
2B	22-02393-01	....Terminal, Male, (18-20 AWG)	2
2C	22-02394-00	....Seal, Cable, Gray	2
2D	22-50371-00	....Connector, 2 Pin	1
2E	22-50372-00	....Terminal, Male, (10 AWG)	2
3	54-00618-01	...Fan & Motor Assembly, Vector, 12V, W/Fuse (No Repl. Motor) Includes:	2
3A	22-02336-25	....Fuse, 20 Amp	1
4	66U1-3882	...Wire Tie, Self-Locking, 7.00 Inches, Black	3
5	58-62019-00	...Bushing, Strain Relief	1

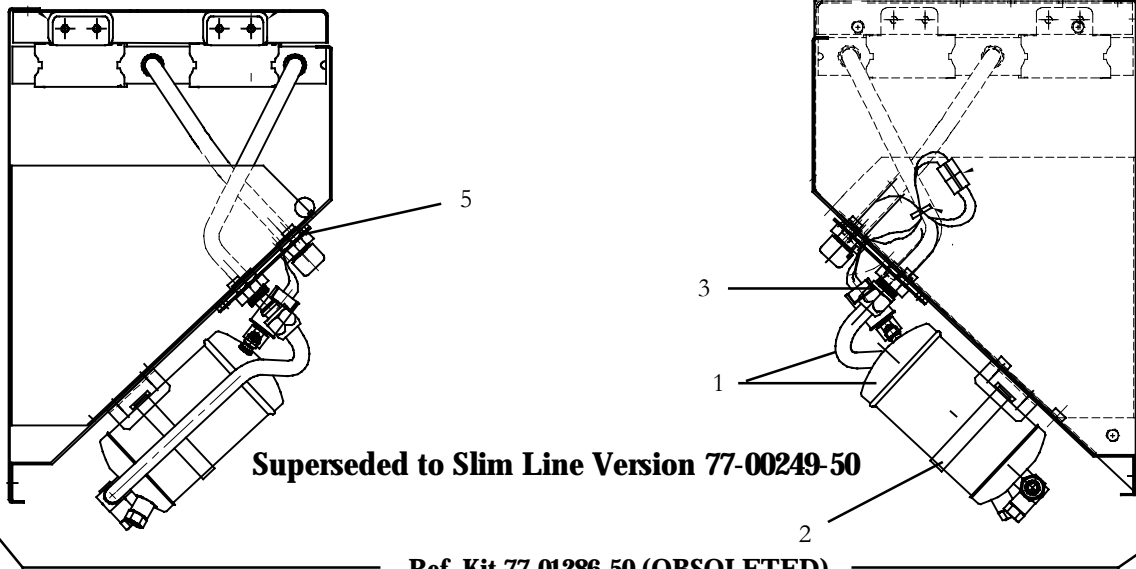
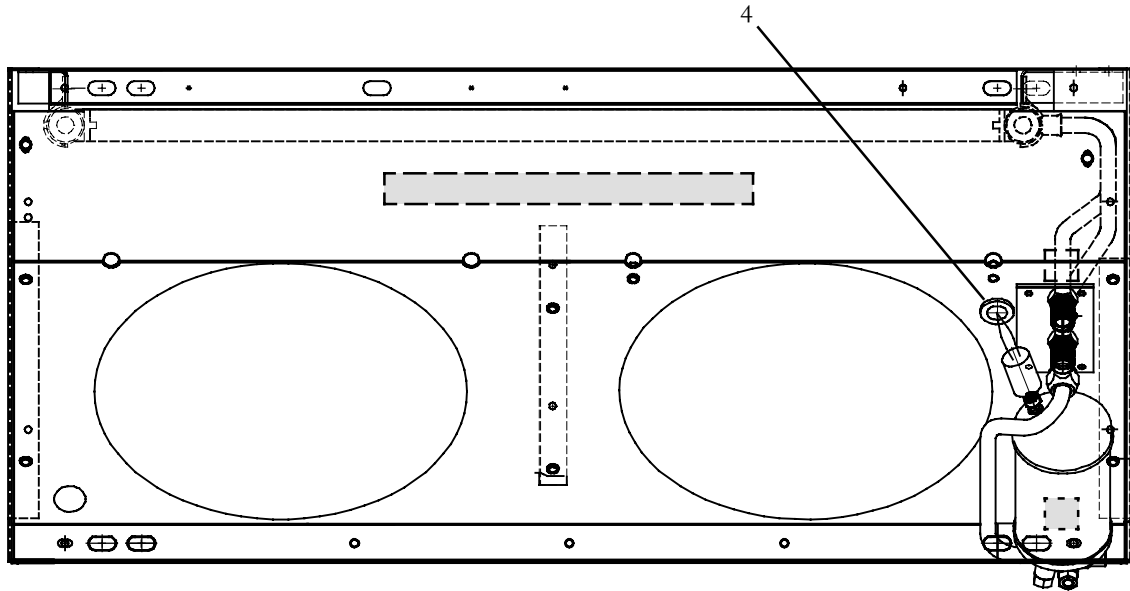
**2.1.3 CM-2, CONDENSER GROUND/POWER HARNESS**



Item	Part Number	Description	Qty
1	22-62277-00	Harness, Condenser - Includes:	1
2	22-50099-28	...Housing, Receptacle, 2 Pin, Black	1
3	22-50099-28A	...Terminal, Female (8 AWG)	1



2.1.4 CONDENSER COIL REPLACEMENT KIT, CM-2, MICRO-CHANNEL (MCHX) : OPTION 1



Ref. Kit 77-01286-50 (OBSOLETE)

2.1.4 CONDENSER COIL REPLACEMENT KIT, CM-2, MICRO CHANNEL (MCHX) - Cont:

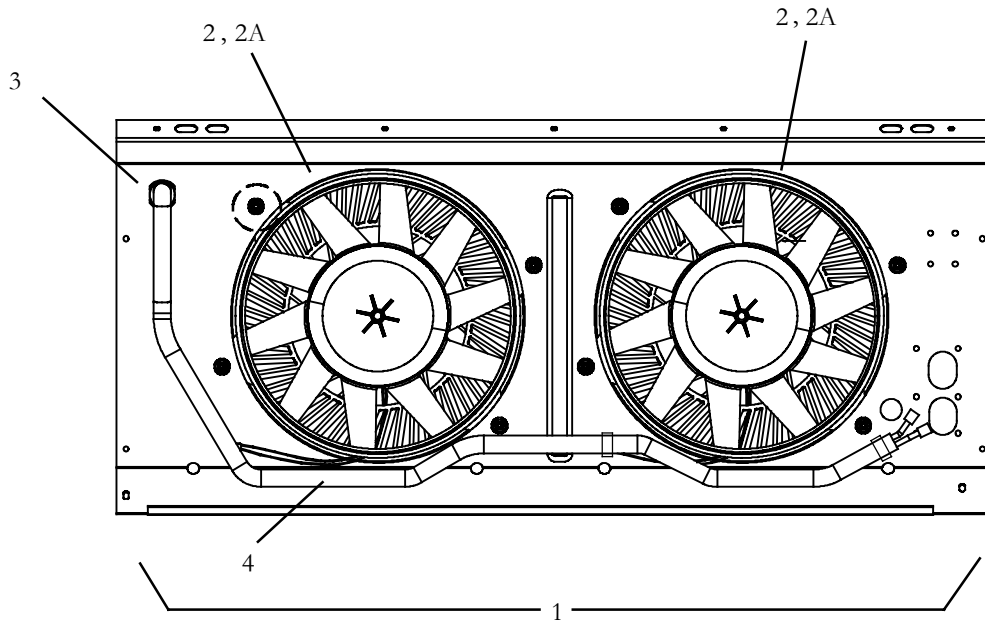
Item	Part Number	Description	Qty
N/A	77-01286-50	CM-2 Service Chassis Kit - Includes: <b>(Supersedes to 77-00249-50)</b>	1
1	65-00193-00	...Receiver, With Filter Drier	1
2	44-00045-19	...Clamp, Hose, Worm Type, Range: 2.56-3.50 Inches	1
3	AC201-414	...Switch, High Pressure, 400 - 300	1
4	58-04764-00	...Grommet, .25 ID x .84 Groove	1
5	34-06088-07	...Nut, Hex, Jam, 3/4-16	2

**OPTION TABLE CM2 MCHX 77-00273 UNITS**

<b>MODEL CM2 MCHX (Top Level) 77-00273-XX</b>	<b>Venturi Panel Common Parts (See Section 2.1.5)</b>	<b>Elec. Harness (See Section 2.1.6)</b>	<b>Grill (See Section 2.1.8)</b>	<b>Chassis Kit (See Section 2.1.7)</b>
-00	1	1	N/A	1
-11	1	1	1	1
-12	1	1	1	1
-16	1	3	N/A	1
-20	1	1	2	1
-21	1	2	5	1
-22	1	2	5	1
-23	1	2	1	1
-30	1	1	2	1
-35	1	1	2	1
-40	1	1	4	1
-60	2	1	1	1
-61	2	1	2	1
-62	2	1	4	1



2.1.5 CONDENSER, CM-2 SLIM LINE MCHX, (12VDC) COMMON PARTS: OPTION 1



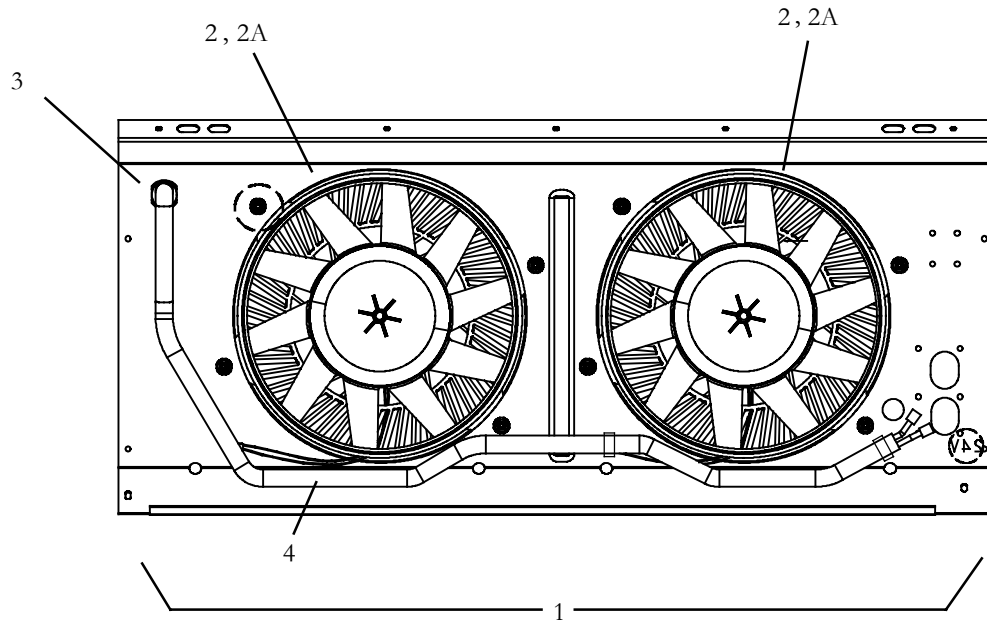
USED ON UNITS 77-00273-00, -11, -16, -20, -21, -22, -23, -30, -35 & -40

REFERENCE CHASSIS KITS 77-00249-00, 01, 02 & -03

Item	Part Number	Description	Qty
1	79-02377-XX	Venturi Assembly, CM-2 12VDC - Includes:	1
2	54-00618-01	...Fan & Motor Assembly, Vector, 12V, W/Fuse (No Repl. Motor) Includes:	2
2A	22-02336-25	.....Fuse, 20 Amp	1
3	58-62019-00	...Bushing, Strain Relief	1
4	22-62273-XX	Refer to Matrix and Section 2.1.6 for proper harness	1



2.1.5 CONDENSER, CM-2 SLIM LINE MCHX, (24VDC) COMMON PARTS: OPTION 2



USED ON UNITS 77-00273-60, -61 & -62

REFERENCE CHASSIS KITS 77-00249-60

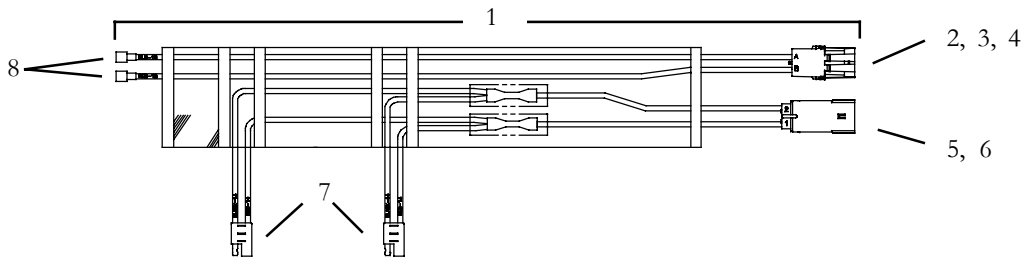
Item	Part Number	Description	Qty
1	79-02377-XX	Venturi Assembly, CM-2- 24VDC - Includes:	1
2	54-00618-02	...Fan & Motor Assembly, Vector, 24V, W/Fuse (No Repl. Motor) Includes:	2
2A	22-02336-26	.....Fuse, 25 Amp	1
3	58-62019-00	...Bushing, Strain Relief	1
4	22-62273-XX	Refer to Matrix and Section 2.1.6 for proper harness	1





**NOTE: Complete Wire Harnesses are Non-Stock Items. Replace Components are Listed.**

**2.1.6 CM-2, CONDENSER HARNESS 22-62273-00: OPTION 1**

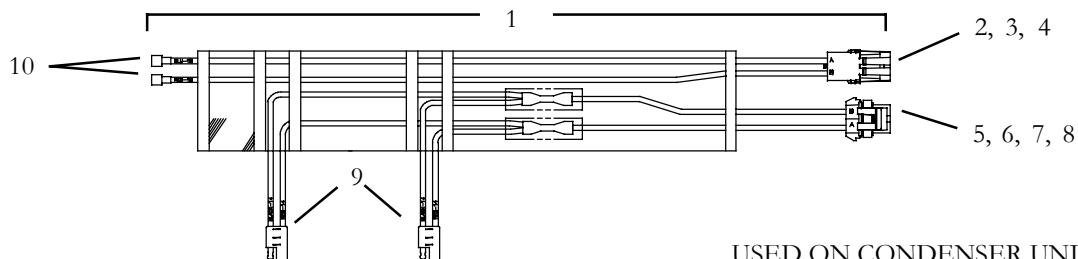


USED ON CONDENSER UNITS

77-00273-00, -11, -12, -20, -30, -35, -40, -60, -61 & -62

Item	Part Number	Description	Qty
1	22-62273-00	Harness, Condenser - Includes:	1
2	22-02392-00	...Connector, Male 2 Pin	1
3	22-02393-01	...Terminal, Male (18 AWG)	2
4	22-02394-00	...Cable Seal (18 AWG)	2
5	22-50099-27	...Housing, Plug, 2 Pin	1
6	22-50099-27A	...Terminal, Male (8 AWG)	2
7	AC201-905	...Condenser Motor Harness	2
8	22-01502-00	...Terminal, Male, Insulated Push On (18 AWG)	2

**2.1.6 CM-2, CONDENSER HARNESS 22-62260-00: OPTION 2**



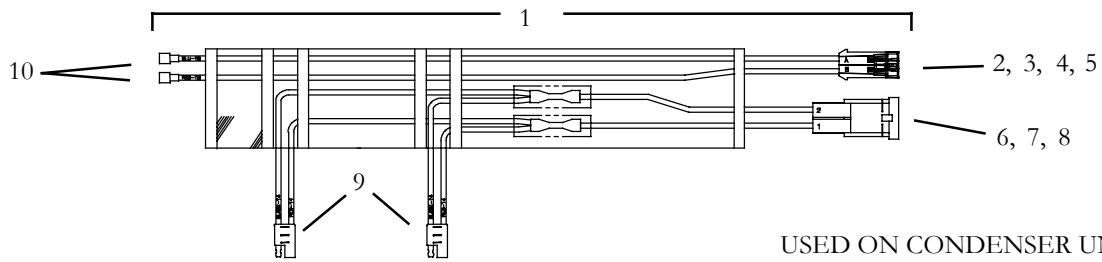
USED ON CONDENSER UNITS

77-00273-21, -22 & -23

Item	Part Number	Description	Qty
1	22-62260-00	Harness, Condenser - Includes:	1
2	22-02392-00	...Connector, Male, 2 Pin	1
3	22-02393-01	...Terminal, Male (18 AWG)	2
4	22-02394-00	...Cable Seal (18 AWG)	2
5	22-50078-40	...Connector, Female, 2 Pin	1
6	22-50078-48G	...Terminal, Female (10 AWG)	2
7	22-50078-52E	...Cable Seal (10 AWG)	2
8	22-50078-39A	...Lock, Secondary	2
9	AC201-905	...Condenser Motor Harness	2
10	22-01502-00	...Terminal, Male Nylon, Insulated Push On (18 AWG)	2

**NOTE: Complete Wire Harnesses are Non-Stock Items. Replace Components are Listed.**

**2.1.6 CM-2, CONDENSER HARNESS 22-62206-00: OPTION 3**

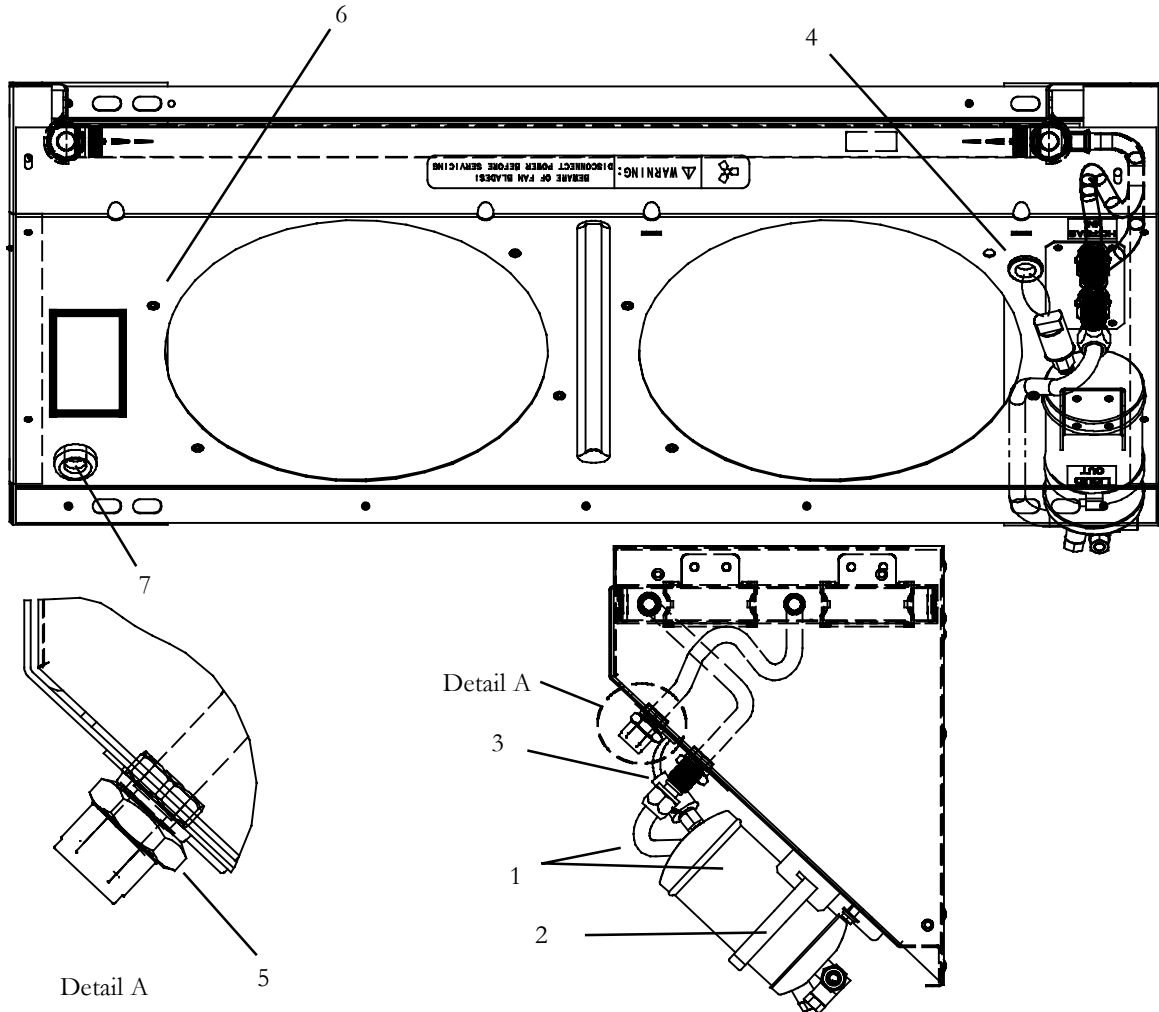


USED ON CONDENSER UNIT  
77-00273-16

Item	Part Number	Description	Qty
1	22-62206-00	Harness, Condenser - Includes:	1
2	22-50078-72	...Connector, Male, 2 Pin	1
3	22-50078-46A	...Terminal, Male (18 AWG)	2
4	22-50078-50A	...Cable Seal (18 AWG)	2
5	22-50078-72A	...Lock, Secondary	2
6	22-50098-67	...Connector, Male, 2 Pin	1
7	22-50098-67B	...Terminal, Female (8 AWG)	2
8	22-50098-67D	...Cable Seal (8 AWG)	2
9	AC201-905	...Condenser Motor Harness	2
10	22-01502-00	...Terminal, Male Nylon, Insulated Push On (18 AWG)	2



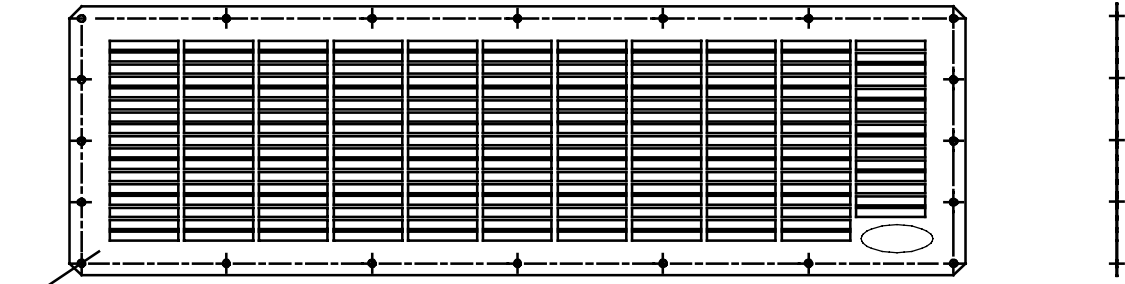
2.1.7 CONDENSER COIL REPLACEMENT KIT, CM-2 , SLIM LINE MICRO-CHANNEL (MCHX) : ALL 77-00273-XX



Item	Part Number	Description	Qty
-	77-00249-50	CM-2 Service Chassis Kit - Includes:	1
1	65-00193-00	...Receiver, With Filter Drier	1
2	44-00045-19	...Clamp, Hose, Worm Type, Range: 2.56-3.50 Inches	1
3	AC201-414	...Switch, High Pressure, 400 - 300	1
4	58-04764-00	...Grommet, .25 ID x .84 Groove	1
5	34-06088-07	...Nut, Hex, Jam, 3/4-16	2
6	34-62011-00	...1/4-20 X 1" <b>(Provided In Bag)</b>	8
7	58-62019-00	...Bushing, Strain Relief <b>(Provided In Bag)</b>	1



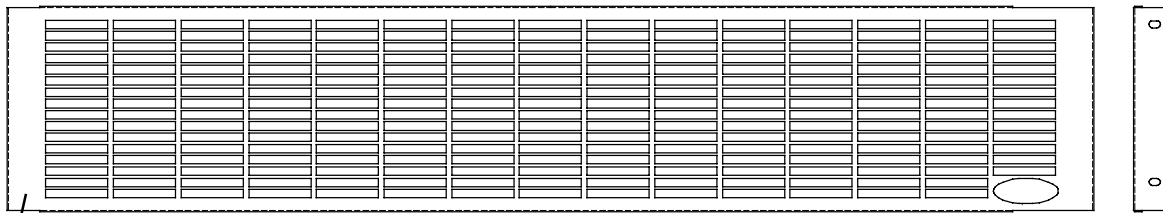
**2.1.8 CONDENSER, CM-2, MCHX, GRILL ASSEMBLY: OPTION 1**



Ref. Kit 77-01299-11 & -60  
 Ref. Kit 77-00273-11, -12 & -60

Item	Part Number	Description	Qty
1	68-08122-01	Grill, Skirt Mounted, 37.50 x 11.25 Inches (Black Smooth)	1
	68-08122-02	Grill, Skirt Mounted, 37.50 x 11.25 Inches (White Textured)	1

**2.1.8 CONDENSER, CM-2, MCHX, GRILL ASSEMBLY: OPTION 2**

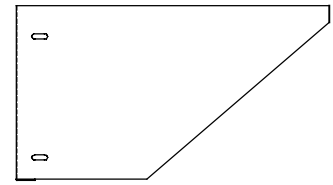
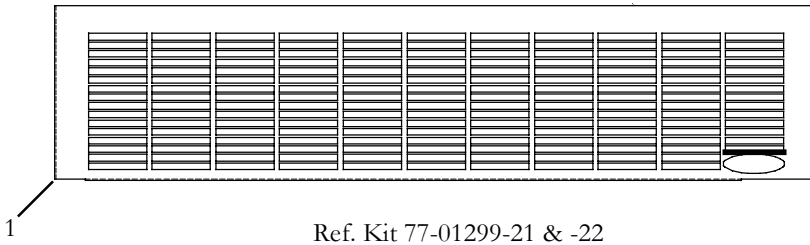


Ref. Kit 77-01299-20, -30 & -61  
 Ref. Kit 77-00273-20, -30, -35 & -61

Item	Part Number	Description	Qty
1	68-08124-00	Grill Assembly, Condenser	1



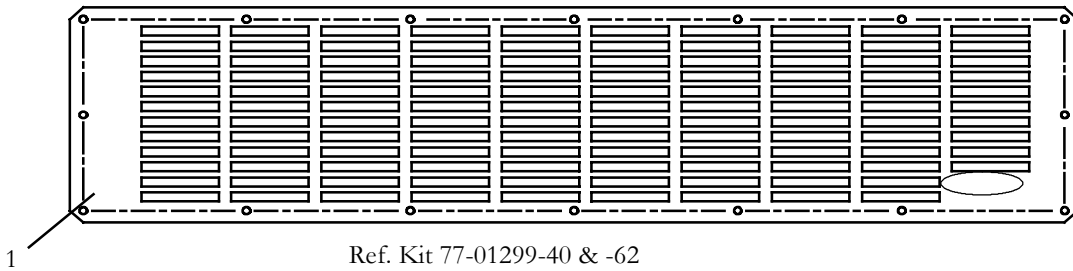
**2.1.8 CONDENSER, CM-2, MCHX, GRILL ASSEMBLY: OPTION 3**



Ref. Kit 77-01299-21 & -22

Item	Part Number	Description	Qty
1	68-62494-00	...Wrapper, Condenser, White	1

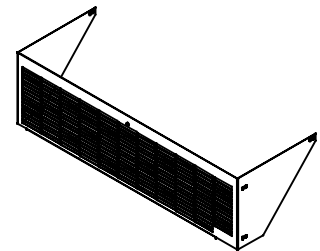
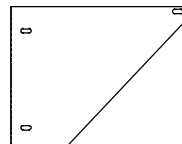
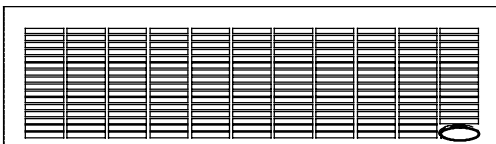
**2.1.8 CONDENSER, CM-2, MCHX, GRILL ASSEMBLY: OPTION 4**



Ref. Kit 77-01299-40 & -62  
Ref. Kit 77-00273-40 & -62

Item	Part Number	Description	Qty
1	AC033-150	...Grille, Condenser, Painted	1

**2.1.8 CONDENSER, CM-2, MCHX, GRILL ASSEMBLY; OPTION 5**



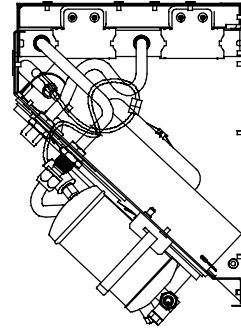
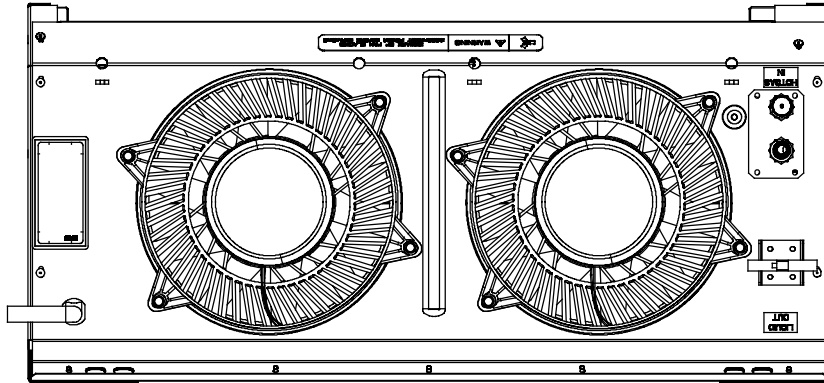
Reference Only

Ref. Kit 77-00273-21 & -22

Item	Part Number	Description	Qty
1	68-08277-00	...Wrapper, Condenser, White	1



2.1.9 CONDENSER, CM-2 HEAVY DUTY MCHX, CHASSIS KIT (12V) COMMON PARTS



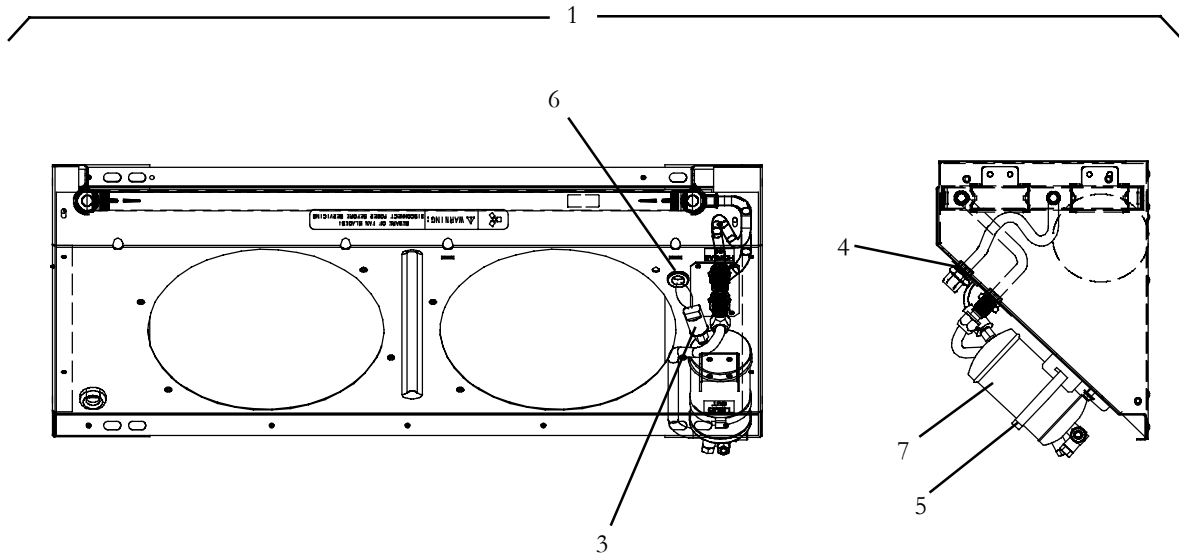
USED ON UNITS Y19-CM201-11 & -20

REFERENCE CHASSIS KITS Y24-CM201-00 & -01

Item	Part Number	Description	Qty
1	54-00618-03	Fan & Motor Assembly, 11" Vector, 12VDC W/Fuse	2
2	22-02336-25	. . . Fuse, 20A	1
3	12-00299-23	Switch, Pressure (Opens 390-410 psig - Close 290-310 psig)	1
4	34-06088-07	Nut, #8 ORS	2
5	44-00045-19	Clamp, Hose	1
6	58-04764-00	Grommet, Boot Type	1
7	58-62019-00	Bushing, Strain Relief	1
8	65-00193-00	Receiver/Filter Drier	1
9	NSI	Harness, CM-3, Butt Splice Interface (See Section 2.2.10)	1
10	68-08122-01	Grill, Skirt Mounted, <b>(Used with Y19-CM201-11 Only) (See Section 2.1.8)</b>	1
11	68-08124-00	Grill, Chassis Mounted, <b>(Used with Y19-CM201-20 Only) (See Section 2.1.8)</b>	1



2.1.9 CONDENSER, CM-2 HEAVY DUTY MCHX, SERVICE REPLACEMENT CHASSIS (12V)



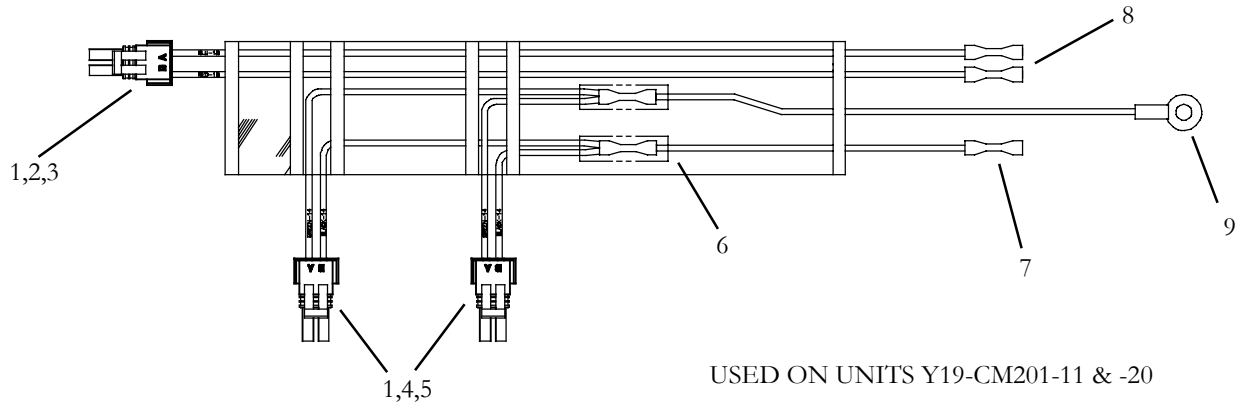
USED ON UNITS Y19-CM201-11 & -20  
 REFERENCE CHASSIS KITS Y24-CM201-00 & -01

Item	Part Number	Description	Qty
1	Y74-CM201-50	Replacement Chassis Kit: Includes	1
2	NSS	. . . Coil, Condenser, MCHX (E-Coating)	1
3	12-00299-23	. . . Switch, Pressure (Opens 390-410 psig - Close 290-310 psig)	1
4	34-06088-07	. . . Nut, #8 ORS	2
5	44-00045-19	. . . Clamp, Hose	1
6	58-04764-00	. . . Grommet, Boot Type	1
7	65-00193-00	. . . Receiver/Filter Drier	1



**NOTE: Complete Wire Harnesses are Non-Stock Items. Replace Components are Listed.**

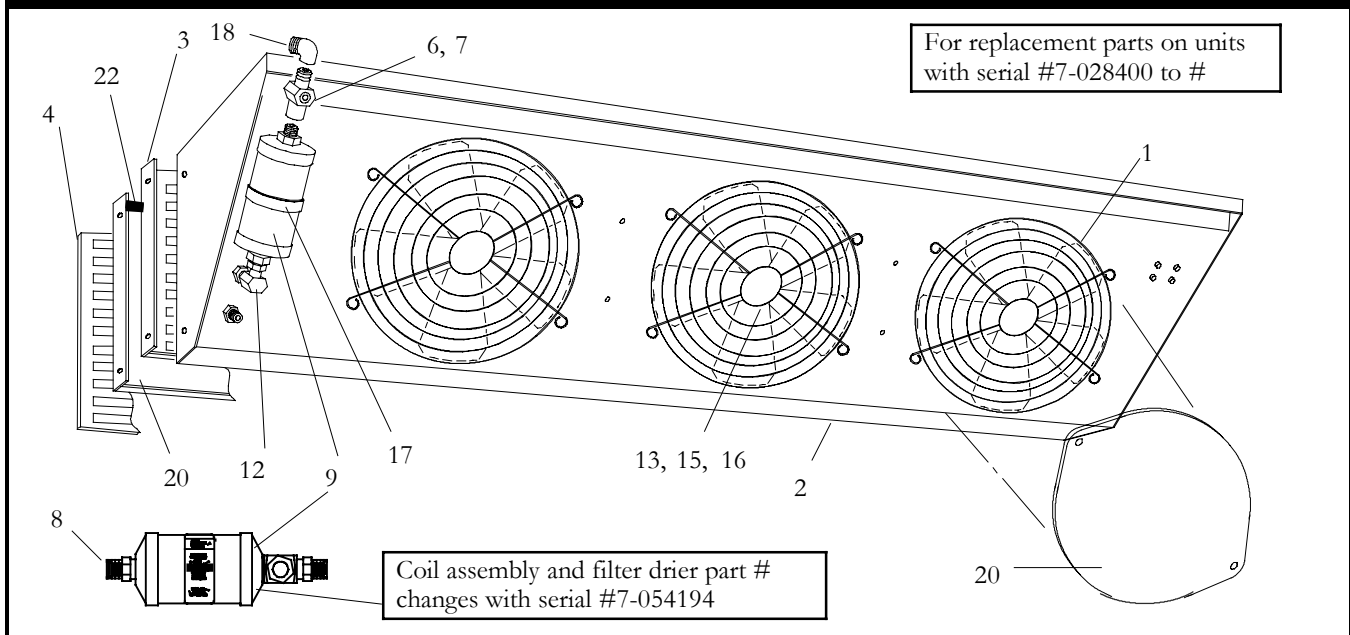
**2.1.10 CM-2, CONDENSER HARNESS , HEAVY DUTY MCHX, 12 VDC (Y24-00080-00)**



USED ON UNITS Y19-CM201-11 & -20  
REFERENCE CHASSIS KITS Y24-CM201-00 & -01

Item	Part Number	Description	Qty
1	22-01585-00	Connector, Female, 2 -Way	4
2	22-01566-01	Terminal, Female, 18-20 AWG	2
3	22-02394-02	Seal, Cable	2
4	22-01566-00	Terminal, Female, 14-16 AWG	4
5	22-02394-00	Seal, Cable	4
6	N/A	Butt Connector, Step Down, 12-10 AWG W/Heat Shrink	2
7	N/A	Butt Splice, W/Heat Shrink, 8 AWG	1
8	N/A	Butt Splice, W/Heat Shrink, 18 AWG	2
9	N/A	Ring Terminal, W/Heat Shrink, 8 AWG - 1/4" Ring	1



**SECTION 2.2 CM-3 CONDENSERS**
**2.2.1 CONDENSER, CM-3, GEN 4**


Item	Part Number	Description	Qty
1	AC030-234	Guard, Fan (Not used with 54-00618-01)	3
2	AC033-220	Coil Assembly, With Pressure Switches, (Before serial #7-054194)	1
	08-62035-01	Coil Assembly (Beginning w/serial #7-054194)	1
3	AC033-133P	Grill, Condenser Mounted, Black	1
	68-15461-00	Grill, Condenser Mounted, Black (MCHX)	1
4	AC033-135	Grill, Bus Skirt Mounted	1
5	AC033-144	Assembly, Tab, (Used with Condenser Mounted Grill)	1
6	AC101-200	Sightglass	1
7	AC801-220	O-Ring, 1/2 Inch MF-O, (Old)	2
8	AC801-202	O-Ring, 1/2 Inch HNBR, (New)	2
9	AC101-312	Filter Drier, 16 Cubic Inch, 1/2 Inch MFL-O, (Before serial #7-054194)	1
	14-00288-00	Filter Drier/Sightglass Combination, (Beginning with serial #7-054194)	1
10	AC201-414	Switch, High Pressure	1
11	AC201-412	Switch, Low Pressure	1
12	AC301-441	Fitting, Swivel Union, 1/2 Inch Female Flare X 1/2 Inch Female Flare (Old)	1
	40-62036-00	Fitting, Swivel Union, 1/2 Inch Female O-Ring X 1/2 Inch Female O-Ring	1
13	54-00618-01	Fan & Motor Assy, Vector, 12V W/Fuse, (No Repl. Motor) Includes:	3
	AC401-110	Assembly, Fan, 12 VDC - Includes:	3
13A	22-02336-25	...Fuse, 20 Amp	1
14	54-50080-00	...Motor, Fan, 12 VDC	1
	44-50024-00	...Clip, Fan Blade	1
15	CM205-197	Assembly, Fan, 24 VDC	3
16	22-62124-00	Harness, Condenser, CM-3	1
17	AC701-269	Clamp, Worm Gear, (Filter Drier)	1
18	NSI	Fitting, 90°, 1/2 Inch Male Flare X 1/2 Inch Female Flare, (Brass)	1



<b>2.2.1 CONDENSER, CM-3, GEN 4 (Continued)</b>			
<b>Item</b>	<b>Part Number</b>	<b>Description</b>	<b>Qty</b>
19	AC033-147	Kit, Winterization, Consisting Of:	1
20	AC033-145	.....Cover, Fan, (Winterguard)	3
21	AC033-143	.....Cover, Coil, (Winterguard)	1
22	AC801-412F25	.....Gasket, Trim Seal, Black (25 Ft. Roll)	1

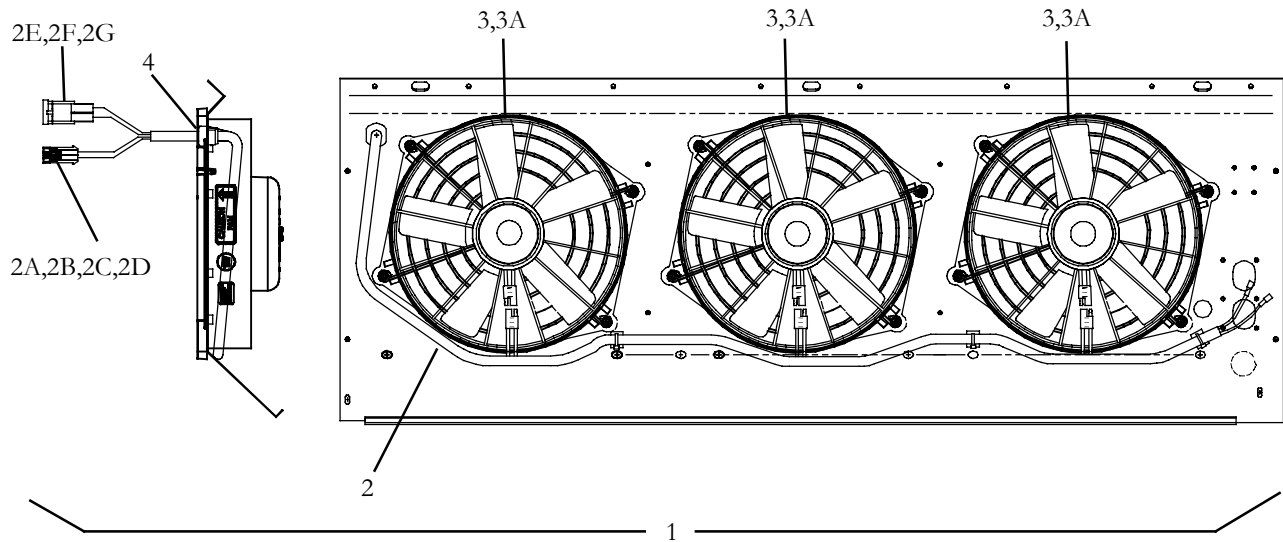


OPTION TABLE CM3 MCHX 77-01288 UNITS

<b>MODEL CM3 MCHX (Top Level) 77-01288-XX</b>	<b>Chassis Kit (See Section 2.2.4)</b>	<b>Venturi Panel (See Section 2.2.2)</b>	<b>Elec. Harness (See Section 2.2.6)</b>	<b>Grill (See Section 2.2.8)</b>
-00	1	5	3	N/A
-11	1	5	3	1
-12	1	2	-	-
-16	1	1	1	N/A
-20	1	5	3	2
-21	1	3	2	3
-22	1	3	2	3
-30	1	5	3	2
-40	1	5	3	4
-60	1	4	3	1
-61	1	4	3	2
-62	1	4	3	4
-96	1	5	3	2



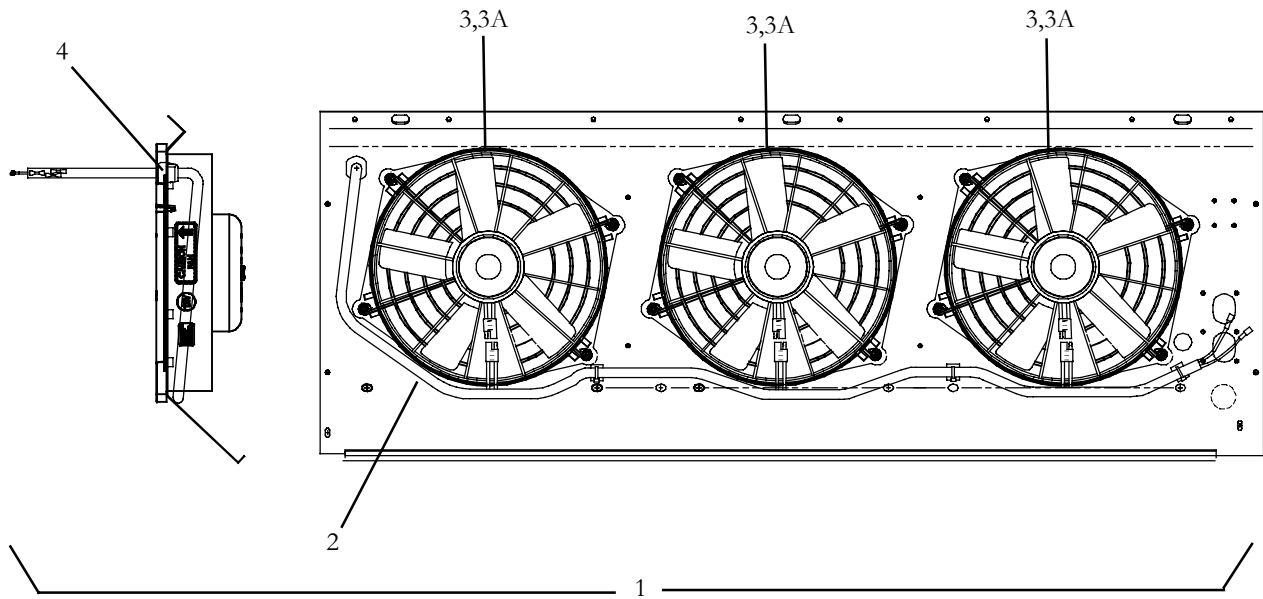
2.2.2 CONDENSER, CM-3, MCHX, VENTURI ASSEMBLY: OPTION 1



REFERENCE CHASSIS KIT 77-01277-00 C

Item	Part Number	Description	Qty
1	NSI	Venturi Assembly, CM-3 12VDC - Includes:	1
2	22-62205-00	...Harness, Connector, CM-3 - Includes:	1
2A	22-50078-72	....Connector, Male	1
2B	22-50078-46A	....Terminal, Male	2
2C	22-50078-50A	....Seal, Cable	2
2D	22-50078-72A	....Lock, Secondary	1
2E	22-50098-67	....Connector, 2 Pin Black	1
2F	22-50098-67B	....Terminal, Male	2
2G	22-50098-67D	....Seal, Cable	2
3	54-00618-01	...Fan & Motor Assembly, Vector, 12V W/Fuse (No Repl. Motor) Includes:	3
3A	22-02336-25	....Fuse, 20 Amp	1
4	58-62019-00	...Bushing, Strain Relief	1

**2.2.2 CONDENSER, CM-3, MCHX, VENTURI ASSEMBLY: OPTION 2**

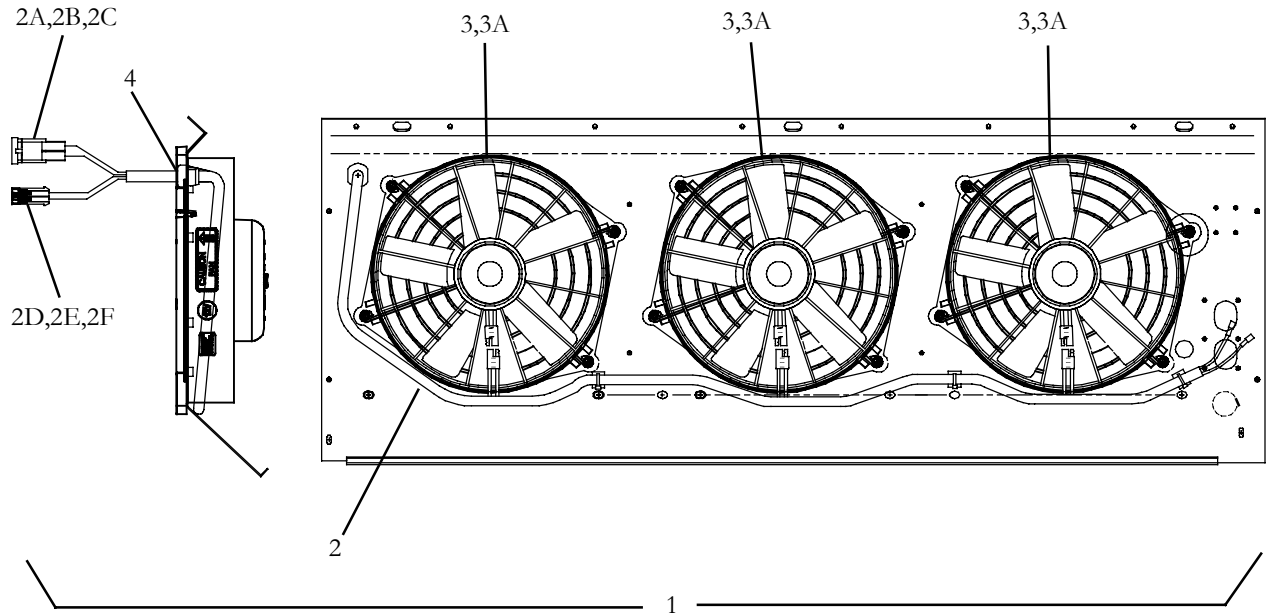


REFERENCE CHASSIS KIT 77-01277-02

Item	Part Number	Description	Qty
1	NSI	Venturi Assembly, CM-3 12VDC - Includes:	1
2	22-62124-00	...Harness, Connector, CM-3	1
3	54-00618-01	...Fan & Motor Assembly, Vector, 12V W/Fuse (No Repl. Motor) Includes:	3
3A	22-02336-25	.....Fuse, 20 Amp	1
4	58-62019-00	...Bushing, Strain Relief	1



2.2.2 CONDENSER, CM-3, MCHX, VENTURI ASSEMBLY: OPTION 3

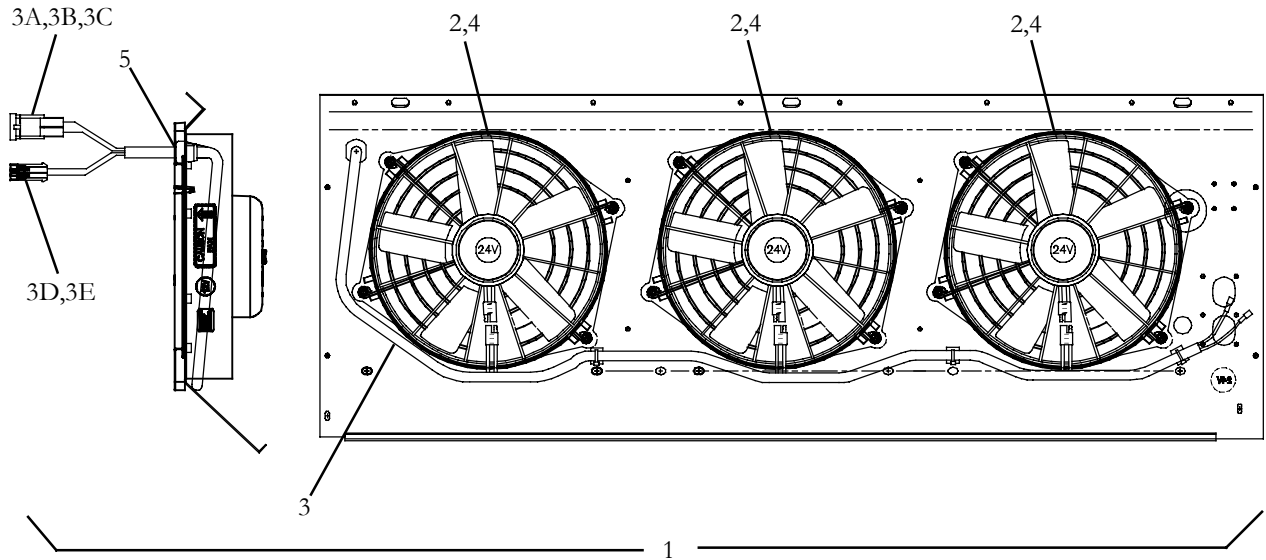


REFERENCE CHASSIS KIT 77-01277-04

Item	Part Number	Description	Qty
1	NSI	Venturi Assembly, CM-3 12VDC - Includes:	1
2	22-62258-00	...Harness, Connector, CM-3 - Includes:	1
2A	22-02392-00	.....Connector, Male, 2 Pin Black	1
2B	22-02393-01	.....Terminal, Male, (18-20 AWG)	2
2C	22-02394-00	.....Seal, Cable, Gray	2
2D	22-50078-40	.....Connector, 2 Pin, Female, Black	1
2E	22-50078-48G	.....Terminal, Female, (10 AWG)	2
2F	22-50078-52E	.....Seal, Cable, Orange	2
3	54-00618-01	...Fan & Motor Assembly, Vector, 12V/Fuse (No Repl. Motor) Includes:	3
3A	22-02336-25	.....Fuse, 20 Amp	1
4	58-62019-00	...Bushing, Strain Relief	1



2.2.2 CONDENSER, CM-3, MCHX, VENTURI ASSEMBLY: OPTION 4

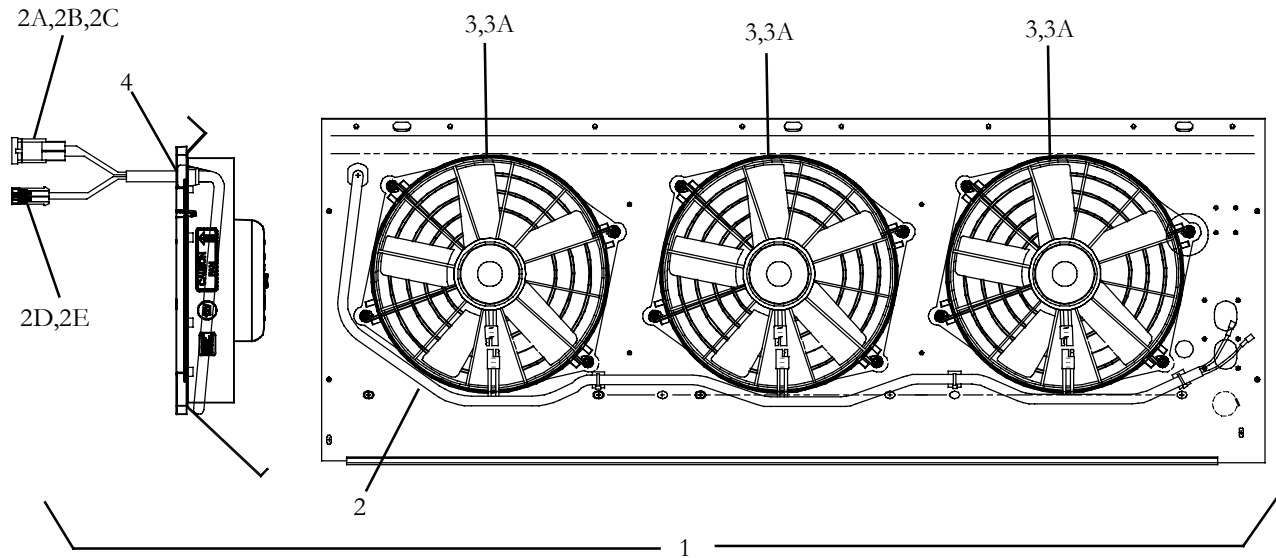


REFERENCE CHASSIS KIT 77-01277-60 F

Item	Part Number	Description	Qty
1	NSI	Venturi Assembly, CM-3 24VDC - Includes:	1
2	AC030-234	...Guard, Fan, Condenser	3
3	22-62272-00	...Harness, Connector, CM-3 - Includes:	1
3A	22-02392-00	.....Connector, 2 Pin, Black	1
3B	22-02393-01	.....Terminal, Male, (18-20 AWG)	2
3C	22-02394-00	.....Seal, Cable, Gray	2
3D	22-50371-00	.....Connector, 2 Pin	1
3E	22-50372-00	.....Terminal, Male (8 AWG)	2
4	54-00545-00	...Fan & Motor Assembly, 24V	3
5	58-62019-00	...Bushing, Strain Relief	1



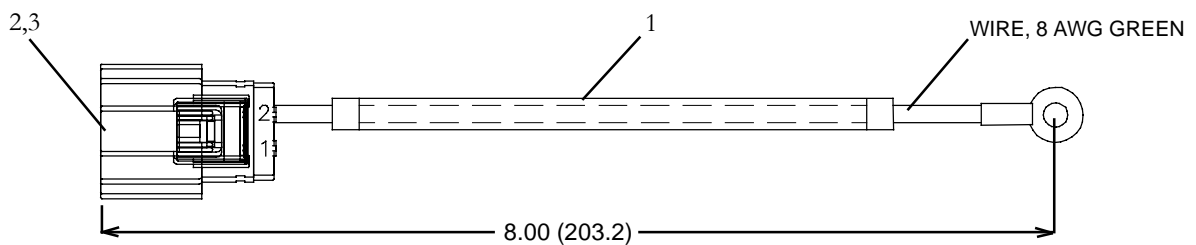
**2.2.2 CONDENSER, CM-3, MCHX, VENTURI ASSEMBLY: OPTION 5**



REFERENCE CHASSIS KIT 77-01277-05 F

Item	Part Number	Description	Qty
1	NSI	Venturi Assembly, CM-3 12VDC - Includes:	1
2	22-62272-00	...Harness, Connector, CM-3 - Includes:	1
2A	22-02392-00	....Connector, 2 Pin, Black	1
2B	22-02393-01	....Terminal, Male, (18-20 AWG)	2
2C	22-02394-00	....Seal, Cable, Gray	2
2D	22-50371-00	....Connector, 2 Pin	1
2E	22-50372-00	....Terminal, Male, (8 AWG)	2
3	54-00618-01	...Fan & Motor Assembly, Vector, 12V W/Fuse (No Repl. Motor) Includes:	3
3A	22-02336-25	....Fuse, 20 Amp	1
4	58-62019-00	...Bushing, Strain Relief	1

**2.2.3 CM-3, CONDENSER GROUND/POWER HARNESS**

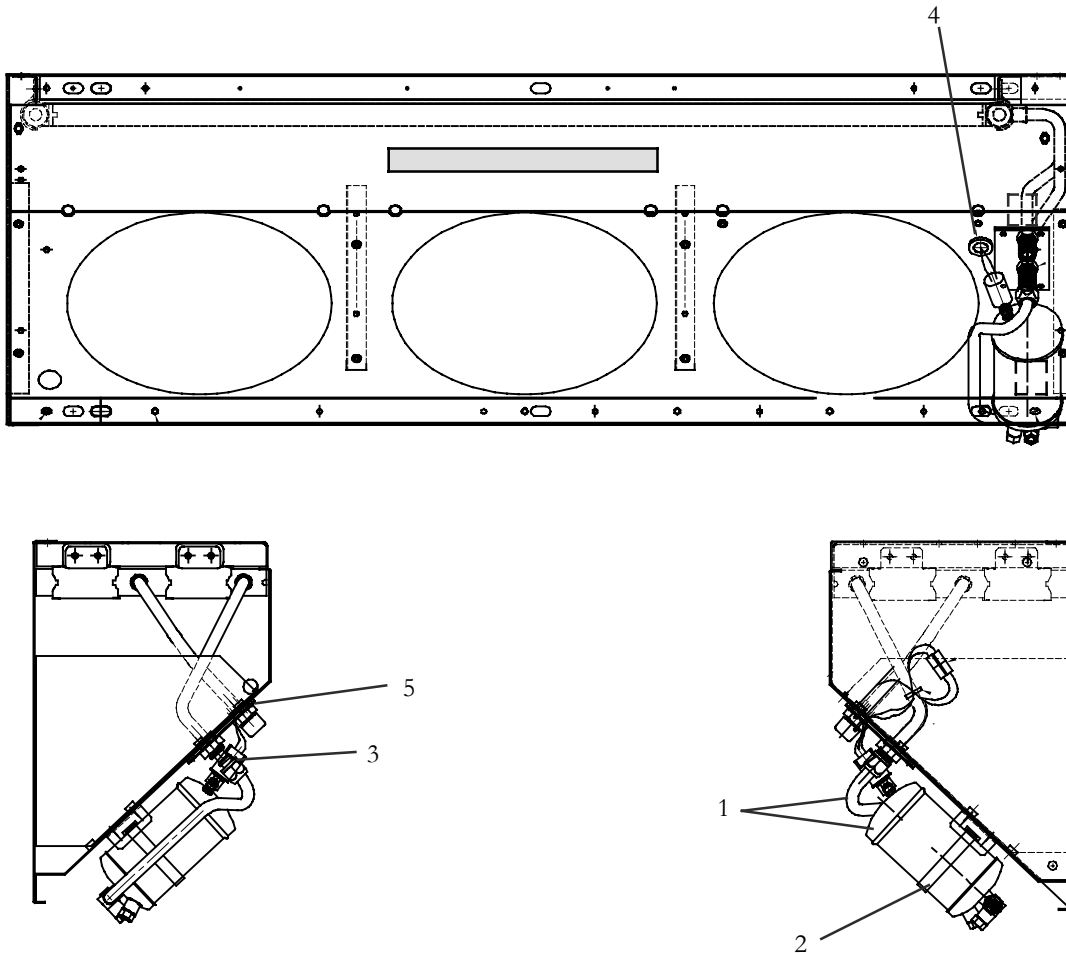


Item	Part Number	Description	Qty
1	22-62277-00	Harness, Condenser - Includes:	1
2	22-50099-28	...Housing, Receptacle, 2 Pin, Black	1
3	22-50099-28A	...Terminal, Female (8 AWG)	1





2.2.4 CONDENSER, CM-3, MCHX, REPLACEMENT CHASSIS (77-01277-50)



Superseded to Slim Line Version 77-00250-50

Item	Part Number	Description	Qty
N/A	77-01277-50	CM-3 Service Chassis Kit - Includes: <b>(Superseded to 77-00250-50)</b>	1
1	65-00193-00	...Receiver, With Filter Drier	1
2	44-00045-19	...Clamp, Hose, Worm Type, Range: 2.56-3.50 Inches	1
3	AC201-414	...Switch, High Pressure, 400 - 300	1
4	58-04764-00	...Grommet, .25 ID x .84 Groove	1
5	34-06088-07	...Nut, Hex, Jam, 3/4-16	2

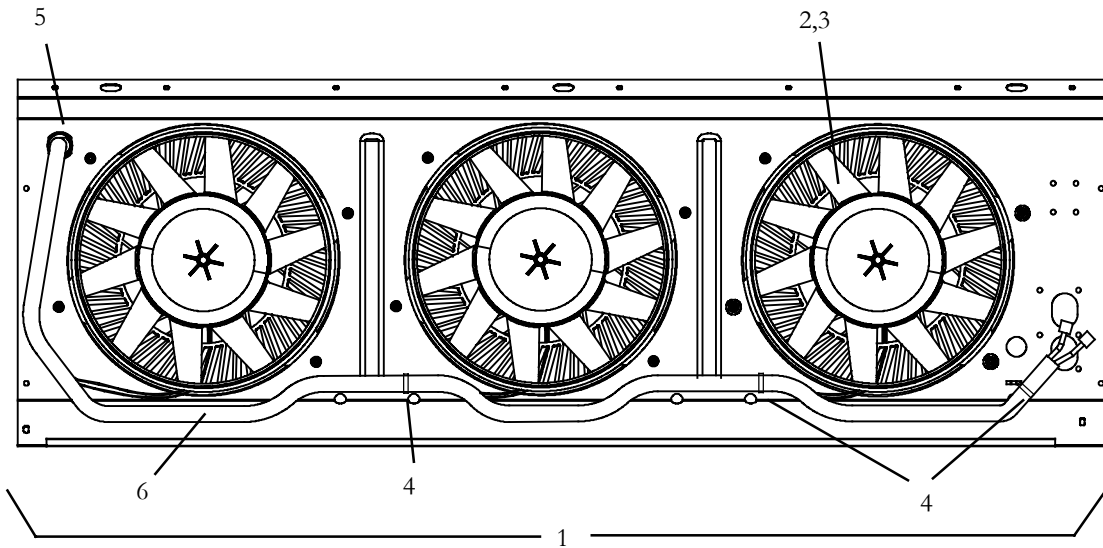


OPTION TABLE CM3 MCHX 77-00274 UNITS

<b>MODEL CM3 MCHX (Top Level) 77-00274-XX</b>	<b>Chassis Kit (See Section 2.2.7)</b>	<b>Venturi Panel (See Section 2.2.5)</b>	<b>Elec. Harness (See Section 2.2.6)</b>	<b>Grill (See Section 2.2.8)</b>
-00	1	1	3	N/A
-11	1	1	3	1
-12	1	1	3	1
-16	1	1	1	N/A
-20	1	1	3	2
-21	1	1	2	5
-22	1	1	2	5
-23	1	1	2	1
-30	1	1	3	2
-35	1	1	3	2
-40	1	1	3	4
-60	1	2	3	1
-61	1	2	3	2
-62	1	2	3	4



2.2.5 CONDENSER, CM-3 SLIM LINE MCHX, VENTURI ASSEMBLY (12V) COMMON PARTS: OPTION 1



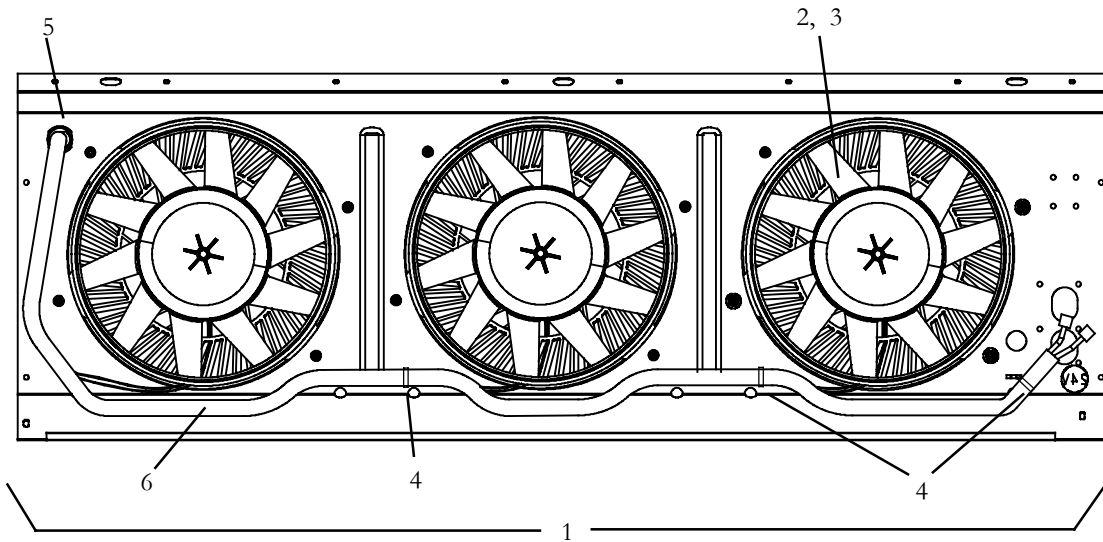
USED ON UNITS 77-00274-00, -11, -16, -20, -21, -22, -30 & -40

REFERENCE CHASSIS KITS 77-00250-00, 01, 02 & -03

Item	Part Number	Description	Qty
1	79-02379-XX	Venturi Assembly, CM-3 12VDC - Includes:	1
2	54-00618-01	...Fan & Motor Assembly, Vector, 12V, W/Fuse (No Repl. Motor) Includes:	3
3	22-02336-25	.....Fuse, 20 Amp	1
4	58-00079-02	...Sta-Strap, 0-1.75" Dia. Cable	3
5	58-62019-00	...Bushing, Strain Relief	1
6	22-62273-XX	Refer to Sections 2.2.11 thru 2.2.13 for proper harness	1



2.2.5 CONDENSER, CM-3 SLIM LINE MCHX, VENTURI ASSEMBLY (24V) COMMON PARTS: OPTION 2



USED ON UNITS 77-00274-60, -61 & -62

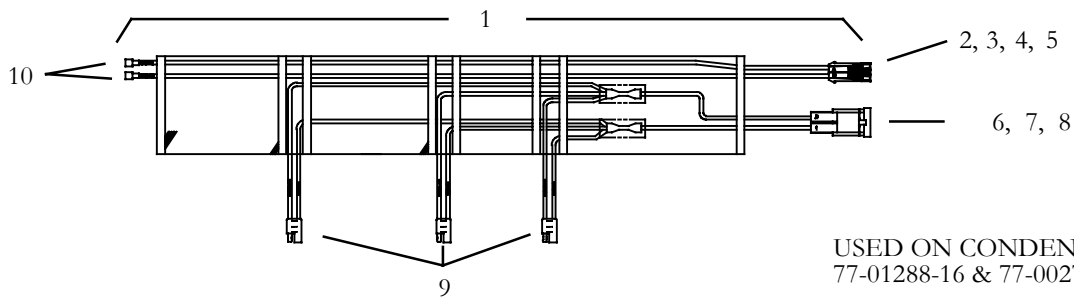
REFERENCE CHASSIS KITS 77-00250-60

Item	Part Number	Description	Qty
1	NSI	Venturi Assembly, CM-3-24VDC - Includes:	1
2	54-00618-02	...Fan & Motor Assembly, Vector, 24V, W/Fuse (No Repl. Motor) Includes:	3
3	22-02336-26	.....Fuse, 25 Amp	1
4	58-00079-02	...Sta-Strap, 0-1.75" Dia. Cable	3
5	58-62019-00	...Bushing, Strain Relief	1
6	22-62273-XX	Refer to Sections 2.2.11 thru 2.2.13 for proper harness	1



**NOTE: Complete Wire Harnesses are Non-Stock Items. Replace Components are Listed.**

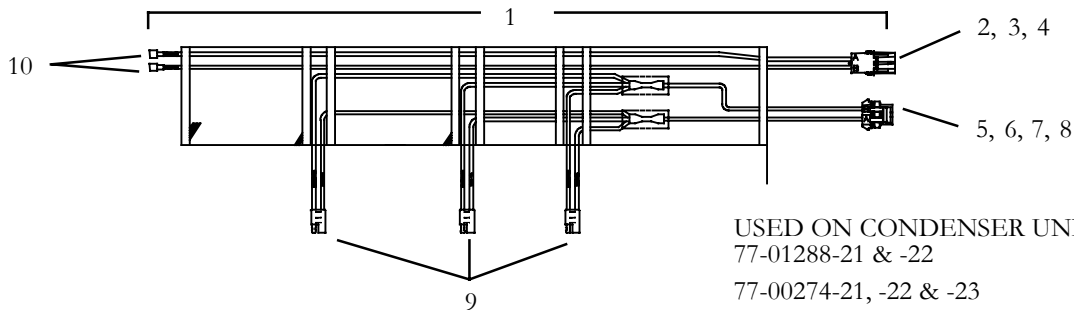
**2.2.6 CM-3, CONDENSER HARNESS 22-62205-00: OPTION 1**



USED ON CONDENSER UNITS  
77-01288-16 & 77-00274-16

Item	Part Number	Description	Qty
1	22-62205-00	Harness, Condenser - Includes:	NSI
2	22-50078-72	...Connector, Male, 2 Pin	1
3	22-50078-46A	...Terminal, Male (18 AWG)	2
4	22-50078-50A	...Cable Seal (18 AWG)	2
5	22-50078-72A	...Lock, Secondary	2
6	22-50098-67	...Connector, Male, 2 Pin	1
7	22-50098-67B	...Terminal, Female (8 AWG)	2
8	22-50098-67D	...Cable Seal (8 AWG)	2
9	AC201-905	...Condenser Motor Harness	3
10	22-01502-00	...Terminal, Male Nylon, Insulated Push On (18 AWG)	2
N.S.	76-62308-00	Mating Connector and Parts for OEM Interface	1

**2.2.6 CM-3, CONDENSER HARNESS 22-62258-00: OPTION 2**

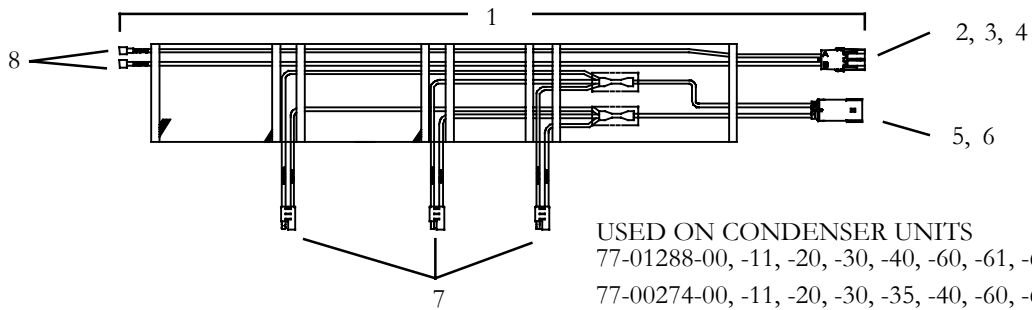


USED ON CONDENSER UNITS  
77-01288-21 & -22  
77-00274-21, -22 & -23

Item	Part Number	Description	Qty
1	22-62258-00	Harness, Condenser - Includes:	NSI
2	22-02392-00	...Connector, Male, 2 Pin	1
3	22-02393-01	...Terminal, Male (18 AWG)	2
4	22-02394-00	...Cable Seal (18 AWG)	2
5	22-50078-40	...Connector, Female, 2 Pin	1
6	22-50078-48G	...Terminal, Female (10 AWG)	2
7	22-50078-52E	...Cable Seal (10 AWG)	2
8	22-50078-39A	...Lock, Secondary	2
9	AC201-905	...Condenser Motor Harness	3
10	22-01502-00	...Terminal, Male Nylon, Insulated Push On (18 AWG)	2
N.S.	76-62308-00	Mating Connector and Parts for OEM Interface	1

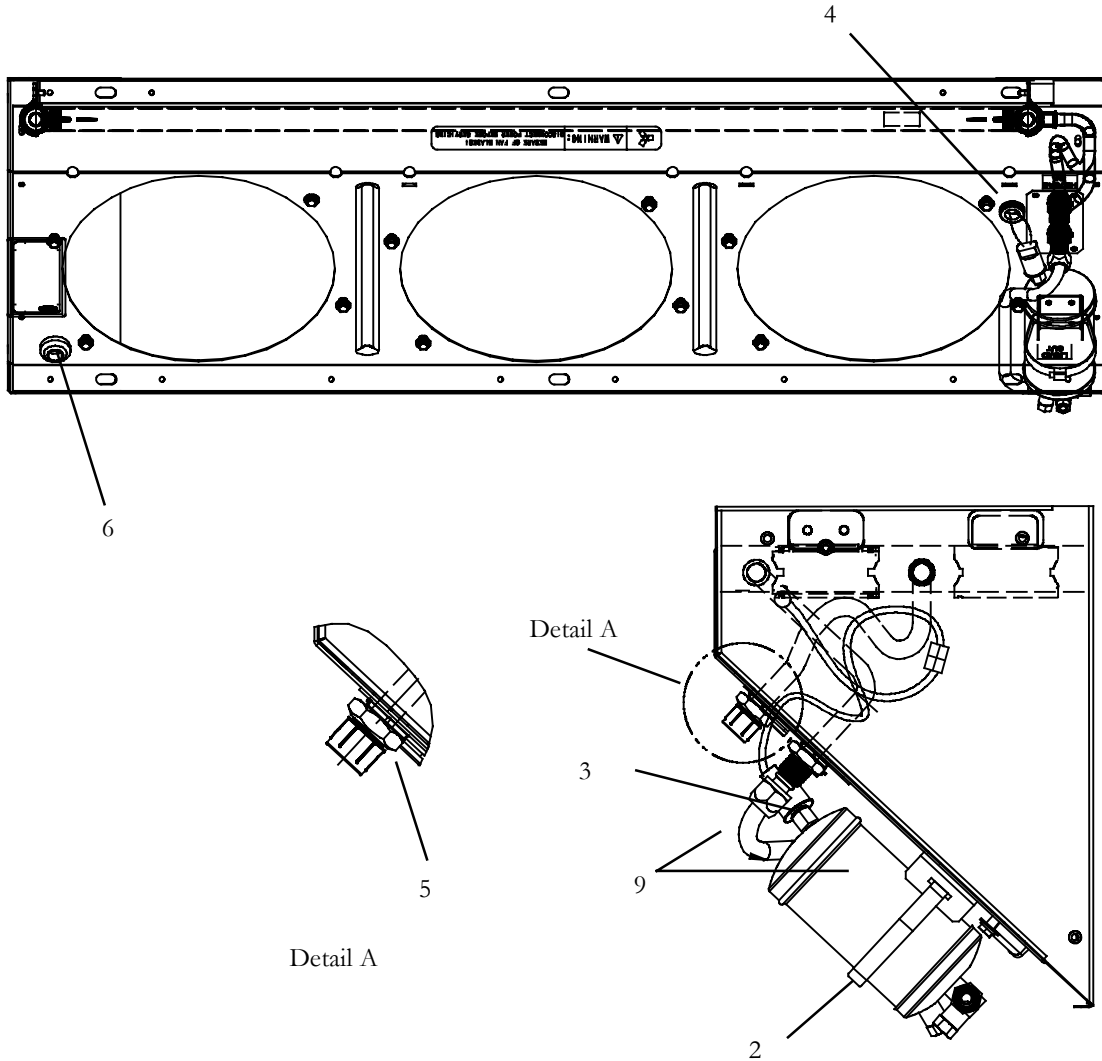
**NOTE: Complete Wire Harnesses are Non-Stock Items. Replace Components are Listed.**

**2.2.6 CM-3, CONDENSER HARNESS 22-62272-00: OPTION 3**



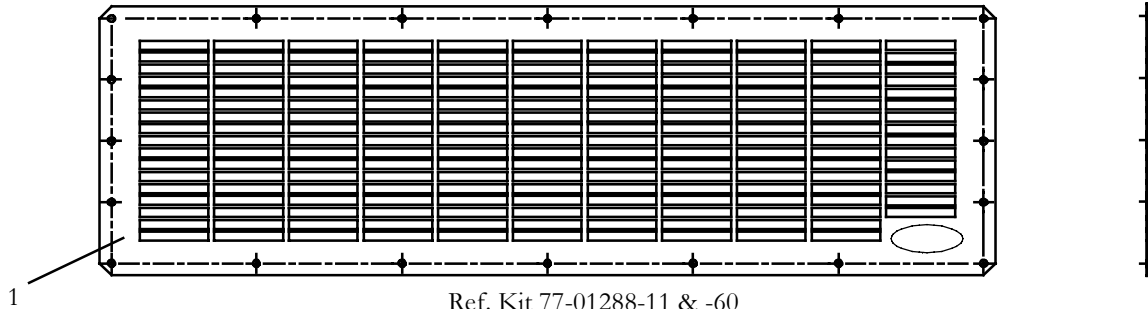
Item	Part Number	Description	Qty
1	22-62272-00	Harness, Condenser - Includes:	NSI
2	22-02392-00	...Connector, Male 2 Pin	1
3	22-02393-01	...Terminal, Male (18 AWG)	2
4	22-02394-00	...Cable Seal (18 AWG)	2
5	22-50099-27	...Housing, Plug, 2 Pin	1
6	22-50099-27A	...Terminal, Male (8 AWG)	2
7	AC201-905	...Condenser Motor Harness	3
8	22-01502-00	...Terminal, Male, Insulated Push On (18 AWG)	2
N.S.	76-62308-00	Mating Connector and Parts for OEM Interface	1

**2.2.7 CONDENSER COIL REPLACEMENT KIT, CM-3 SLIM LINE, MICRO-CHANNEL (MCHX) : OPTION 1**



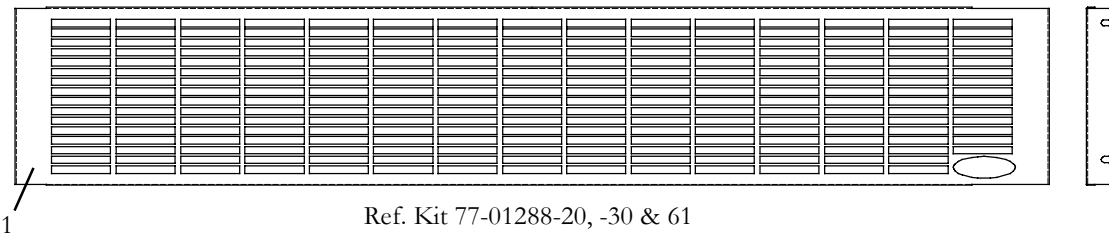
Item	Part Number	Description	Qty
-	77-00250-50	CM-3 Service Chassis Kit - Includes:	1
1	65-00193-00	...Receiver, With Filter Drier	1
2	44-00045-19	...Clamp, Hose, Worm Type, Range: 2.56-3.50 Inches	1
3	AC201-414	...Switch, High Pressure, 400 - 300	1
4	58-04764-00	...Grommet, .25 ID x .84 Groove	1
5	34-06088-07	...Nut, Hex, Jam, 3/4-16	2
6	58-62019-00	... Bushing, Strain Relief	1

**2.2.8 CONDENSER, CM-3, MCHX, GRILL ASSEMBLY: OPTION 1**



Item	Part Number	Description	Qty
1	68-08121-01	Grill, Skirt Mounted, (Black Smooth)	1
	68-08121-02	Grill, Skirt Mounted, (White Textured)	1

**2.2.8 CONDENSER, CM-3, MCHX, GRILL ASSEMBLY (CHASSIS MOUNTED): OPTION 2**

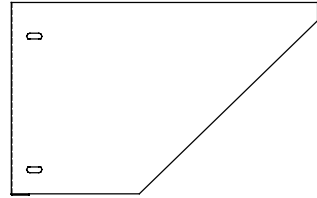
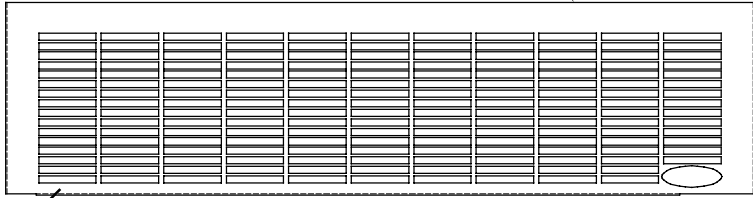


Item	Part Number	Description	Qty
1	68-08123-00	...Grill, Condenser, Black Tecture	1





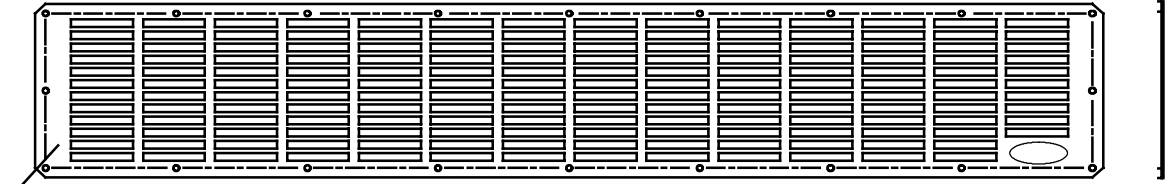
**2.2.8 CONDENSER, CM-3, MCHX, GRILL ASSEMBLY (CHASSIS MOUNTED): OPTION 3**



Ref. Kit 77-01288-21

Item	Part Number	Description	Qty
1	68-62495-00	...Wrapper, Condenser, White	1

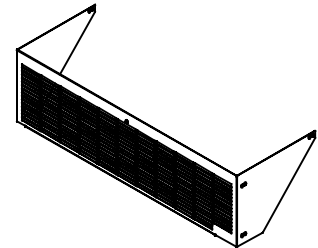
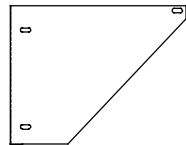
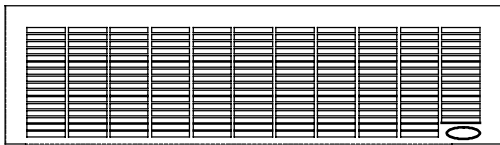
**2.2.8 CONDENSER, CM-3, MCHX, GRILL ASSEMBLY: OPTION 4**



Ref. Kit 77-01288-40 & -62  
Ref. Kit 77-00274-40 & -62

Item	Part Number	Description	Qty
1	AC033-051	...Grill, Black, Textured	1

**2.2.8 CONDENSER, CM-3, MCHX, GRILL ASSEMBLY: OPTION 5**



1

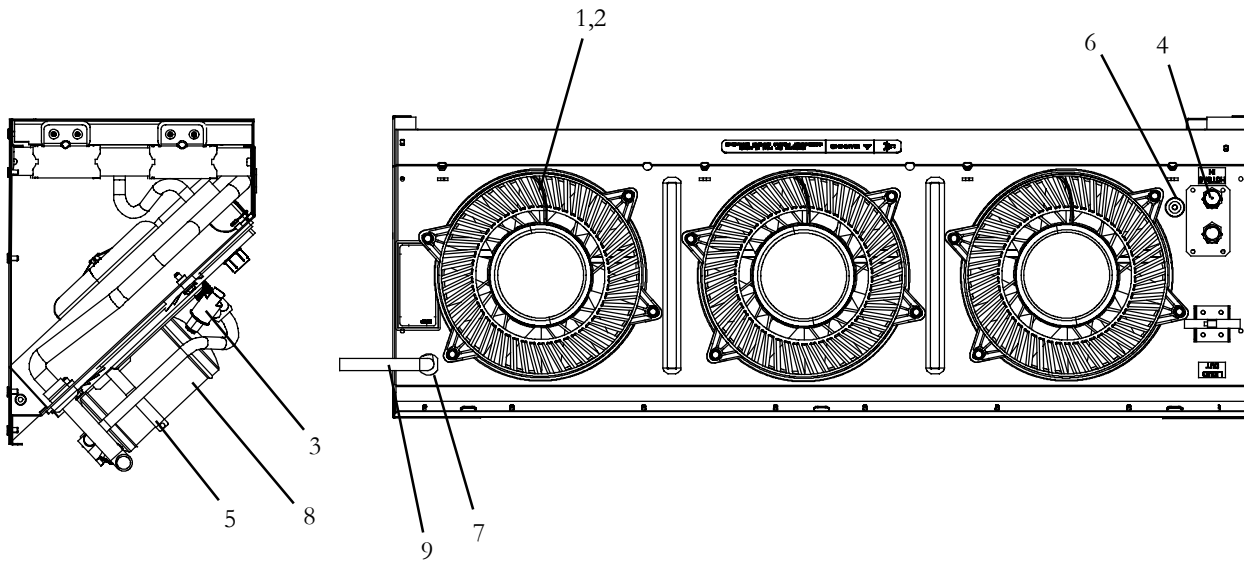
Ref. Kit 77-00274-21 & -22

Reference Only

Item	Part Number	Description	Qty
1	68-08278-00	...Wrapper, Condenser, White	1



2.2.9 CONDENSER, CM-3 HEAVY DUTY MCHX, CHASSIS KIT (12V) COMMON PARTS

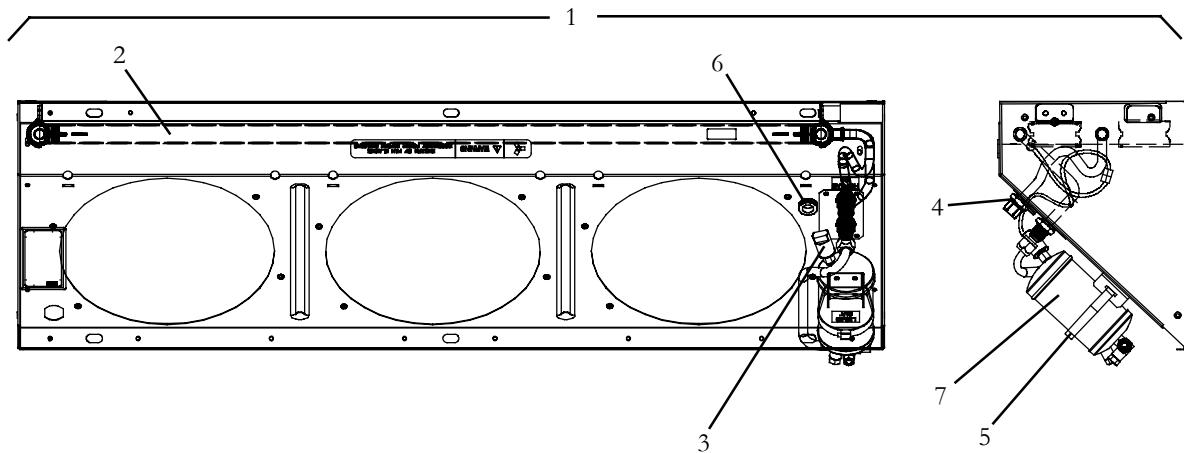


USED ON UNITS Y19-CM301-11 & -20

REFERENCE CHASSIS KITS Y24-CM301-00 & -01

Item	Part Number	Description	Qty
1	54-00618-03	Fan & Motor Assembly, 11" Vector, 12VDC W/Fuse	3
2	22-02336-25	. . . Fuse, 20A	1
3	12-00299-23	Switch, Pressure (Opens 390-410 psig - Close 290-310 psig)	1
4	34-06088-07	Nut, #8 ORS	2
5	44-00045-19	Clamp, Hose	1
6	58-04764-00	Grommet, Boot Type	1
7	58-62019-00	Bushing, Strain Relief	1
8	65-00193-00	Receiver/Filter Drier	1
9	NSI	Harness, CM-3, Butt Splice Interface (See Section 2.2.10)	1
NS	68-08121-01	Grill, Skirt Mounted, <b>(Used with Y19-CM301-11 Only) (See Section 2.2.8)</b>	1
10	68-08123-00	Grill, Chassis Mounted, <b>(Used with Y19-CM301-20 Only) (See Section 2.2.8)</b>	1

**2.2.9 CONDENSER, CM-3 HEAVY DUTY MCHX, SERVICE REPLACEMENT CHASSIS (12V)**



USED ON UNITS Y19-CM301-11 & -20

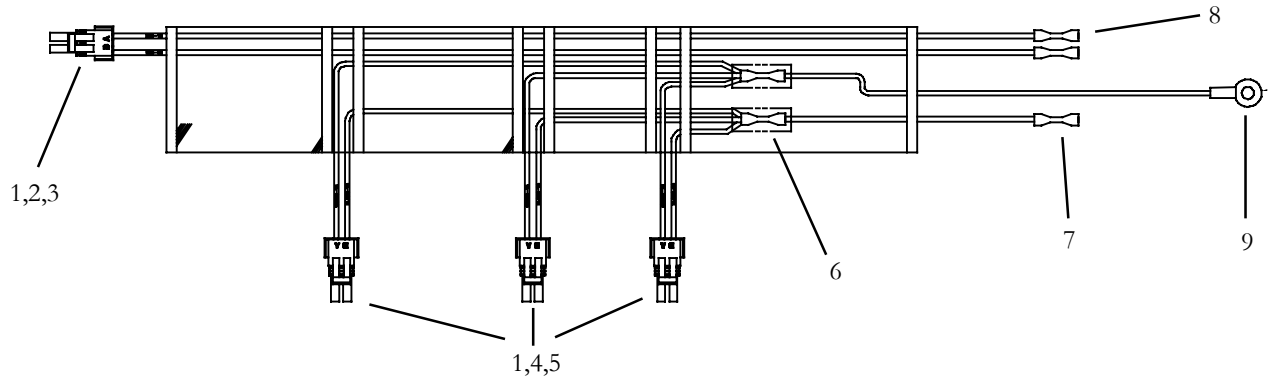
REFERENCE CHASSIS KITS Y24-CM301-00 & -01

Item	Part Number	Description	Qty
1	Y74-CM301-50	Replacement Chassis Kit: Includes	1
2	NSS	. . . Coil, Condenser, MCHX (E-Coating)	1
3	12-00299-23	. . . Switch, Pressure (Opens 390-410 psig - Close 290-310 psig)	1
4	34-06088-07	. . . Nut, #8 ORS	2
5	44-00045-19	. . . Clamp, Hose	1
6	58-04764-00	. . . Grommet, Boot Type	1
7	65-00193-00	. . . Receiver/Filter Drier	1



**NOTE: Complete Wire Harnesses are Non-Stock Items. Replace Components are Listed.**

**2.2.10 CM-3, CONDENSER HARNESS , HEAVY DUTY MCHX, 12 VDC (Y24-00079-00)**



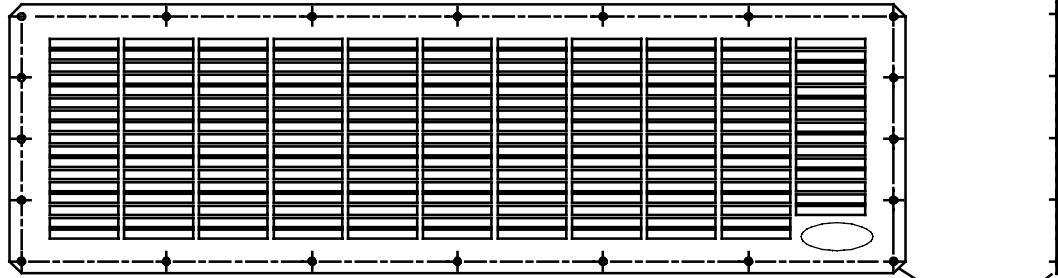
USED ON UNITS Y19-CM301-11 & -20

REFERENCE CHASSIS KITS Y24-CM301-00 & -01

Item	Part Number	Description	Qty
1	22-01585-00	Connector, Female, 2 -Way	4
2	22-01566-01	Terminal, Female, 18-20 AWG	2
3	22-02394-02	Seal, Cable	2
4	22-01566-00	Terminal, Female, 14-16 AWG	6
5	22-02394-00	Seal, Cable	6
6	N/A	Butt Connector, Step Down, 12-10 AWG W/Heat Shrink	2
7	N/A	Butt Splice, W/Heat Shrink, 8 AWG	1
8	N/A	Butt Splice, W/Heat Shrink, 18 AWG	2
9	N/A	Ring Terminal, W/Heat Shrink, 8 AWG - 1/4" Ring	1



2.2.11 CONDENSER, CM-3, MCHX, GRILL ASSEMBLY

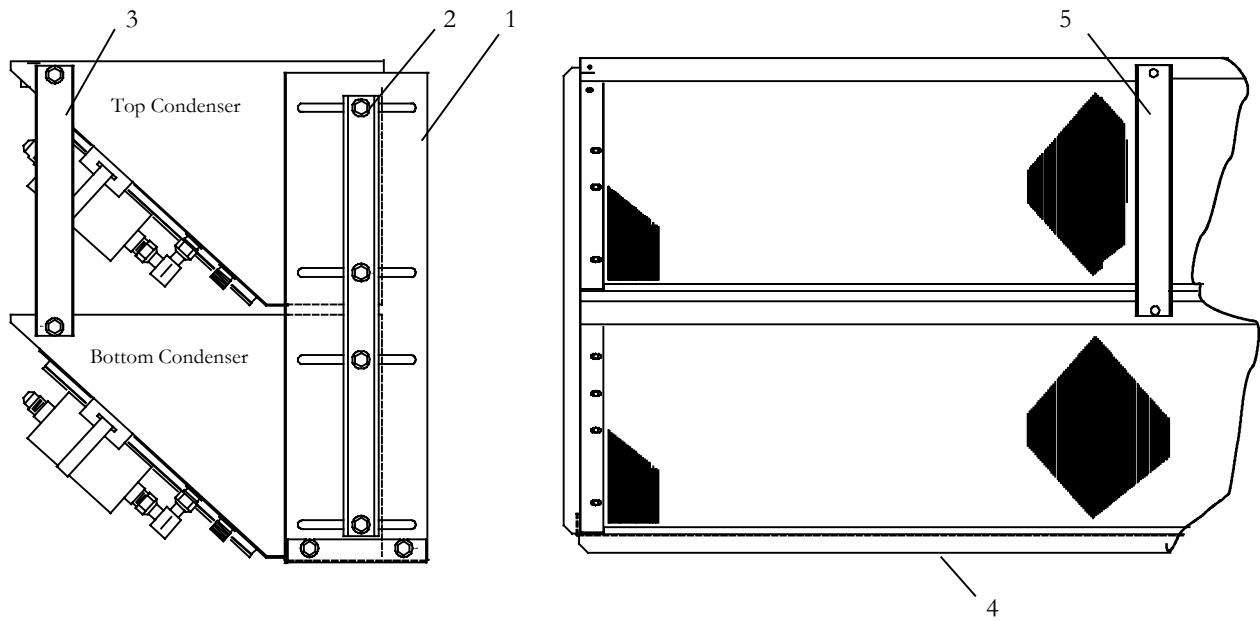


Ref. Kit 77-01288-11 & -60  
Ref. Kit 77-00274-11 & -60

Item	Part Number	Description	Qty
1	68-08121-01	Grill, Skirt Mounted, (Black Smooth)	1



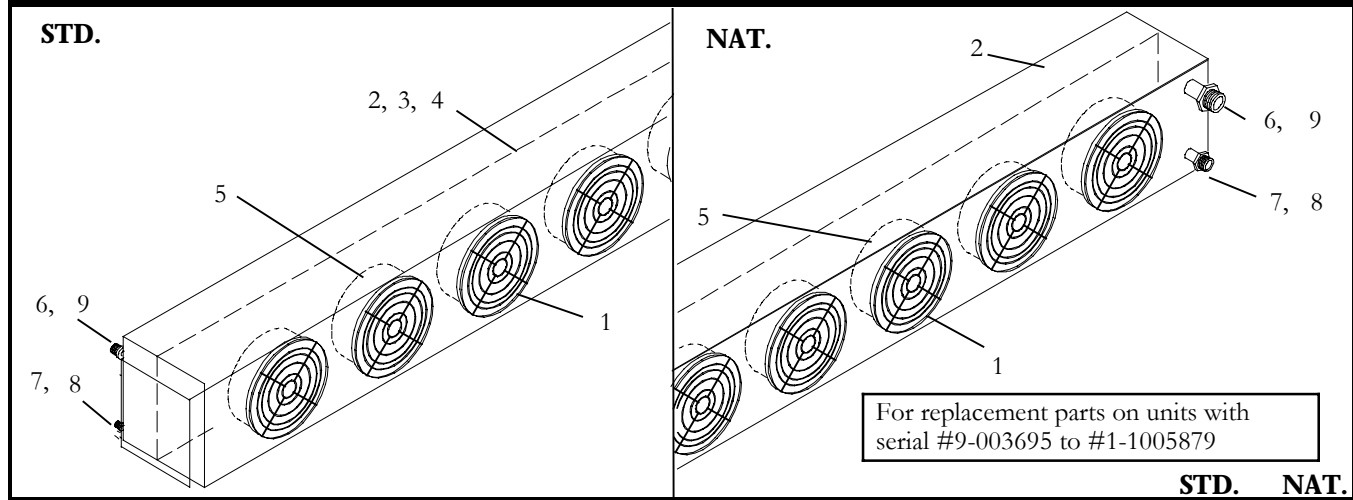
2.2.12 CONDENSER, STACKED, CM-2/CM-3



AC033-162 - KIT, CM-2 STACKED WITH BOTTOM SKIRTING  
 AC033-163 - KIT, CM-3 STACKED WITH BOTTOM SKIRTING

2.2.13 CONDENSER, STACKED, CM-2/CM-3 - Continued:

Item	Part Number	Description	Qty
1	AC033-154	Bracket, Air Inlet, Stacked Condenser, Painted	2
2	AC033-158	Stiffner, Air Inlet, Stacked Condenser, Painted	2
3	AC033-155	Bracket, Air Outlet, Stacked Condenser, Painted	2
4	AC033-156	Plate, Block-Off, Stacked Condenser, Painted, 3 Fan Only	1
	AC033-157	Plate, Block-Off, Stacked Condenser, Painted, 2 Fan Only	1
5	AC033-160	Bracket, Front, Painted, (3 Fan Only)	1
N/S	AC033-164	Instructions, Installation Drawing	1

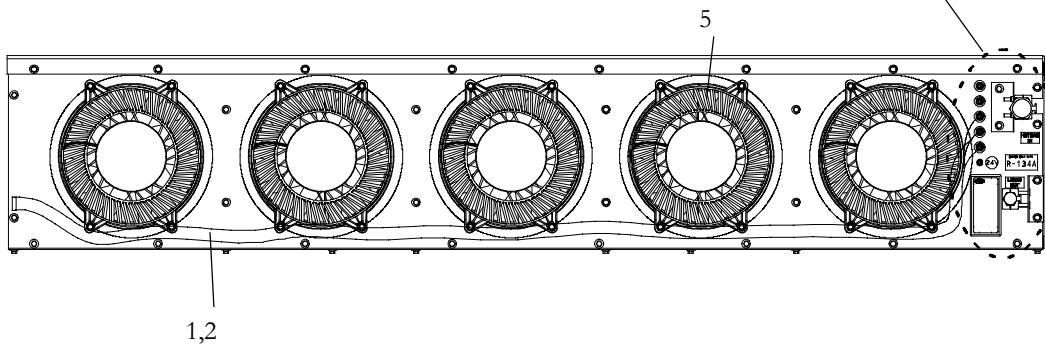
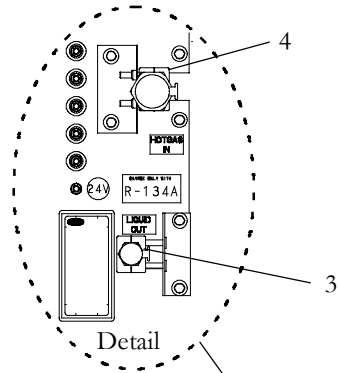
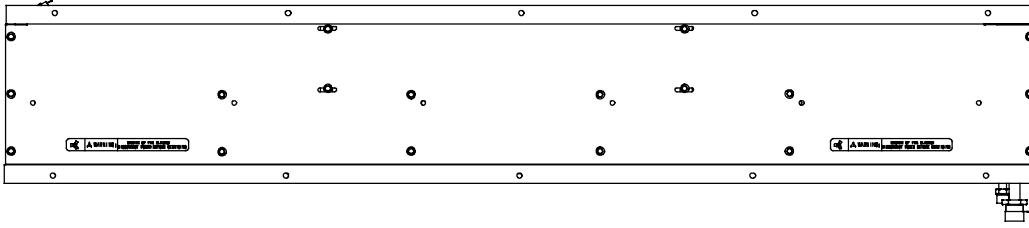
**SECTION 2.3 CM-5 CONDENSER**
**2.3.1 CONDENSER, CM-5**


			STD.	NAT.
Item	Part Number	Description	Qty	Qty
1	AC030-234	Guard, Fan	5	5
2	AC030-340	Coil Assembly	NA	1
	81-62062-00	Coil Assembly - Includes:	1	NA
3	08-62005-00	...Coil	1	NA
4	14-00029-07	...Check Valve	1	NA
N/S	22-02336-06	Fuse, 15 AMP	5	5
N/S	22-50078-23	Cover, Fuse	5	5
N/S	22-50078-22	Holder, Fuse	5	5
N/S	22-50078-49L	Terminal, Fuse	10	10
5	AC030-313	Assembly, Fan, 12 VDC	5	NA
	AC030-314	Assembly, Fan, 24 VDC	5	NA
	AC030-315	Assembly, Fan, 24 VDC, (2-Speeds)	5	5
N/S	10-00300-00	Solenoid, (Normally Open)	NA	1
N/S	12-00299-11	Switch, Pressure-CFS/R134a	NA	1
N/S	12-01132-00	Switch, Temperature (LATH)	1	NA
6	40-00491-00	Fitting, ORS, (Discharge)	1	1
7	40-00491-09	Fitting, ORS, (Liquid)	1	1
N/S	AC201-615	Resistor, .25 OHM, With Mounting Brackets	N/A	1
8	42-00243-00	O-Ring, ORS, #16	1	1
9	42-00243-03	O-Ring, ORS, #10	1	1



2.3.2 CONDENSER, CM-5, FRONT and TOP VIEWS, 77-62001-00

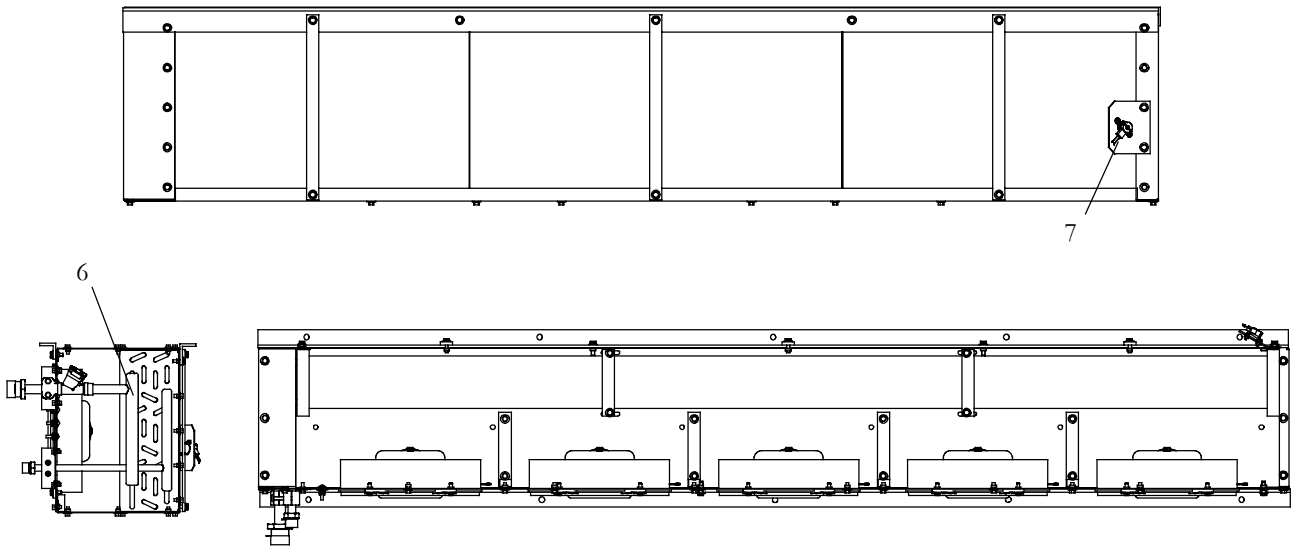
Top Panel Reference



Item	Part Number	Description	Qty
1	58-00079-02	Sta-Strap, 0-1.75 Dia. Cable	15
2	22-62012-00	Wire Harness, CM5 (See Section 2.3.4)	1
3	44-00285-82	Clamp, Tube, 5/8 in. O.D.	1
4	44-00285-83	Clamp, Tube, 7/8 in. O.D.	1
5	54-00618-02	Fan and Motor, 11 in. Vector, 24V W/Fuse	5



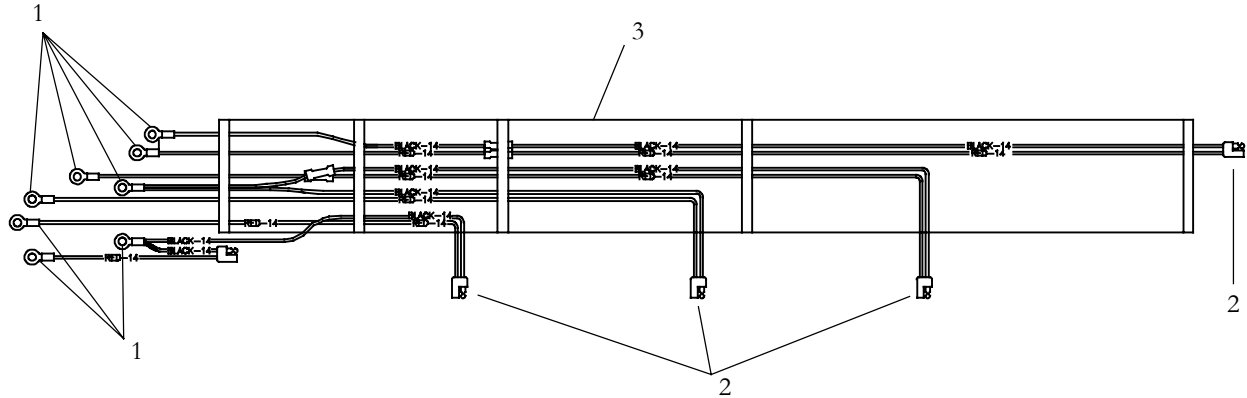
**2.3.3 CONDENSER, CM-5, BACK, SIDE and BOTTOM VIEWS, 77-62001-00**



Item	Part Number	Description	Qty
6	81-62062-00	Coil Assembly - Includes:	1
	08-62005-00	.....Coil	1
	14-00029-07	.....Discharge Check Valve	1
7	12-01132-00	Switch, Temperature	1

**NOTE: Complete Wire Harnesses are Non-Stock Items. Replace Components are Listed.**

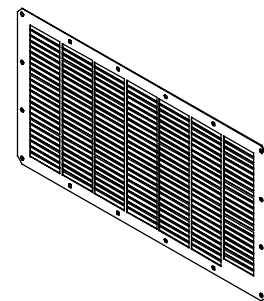
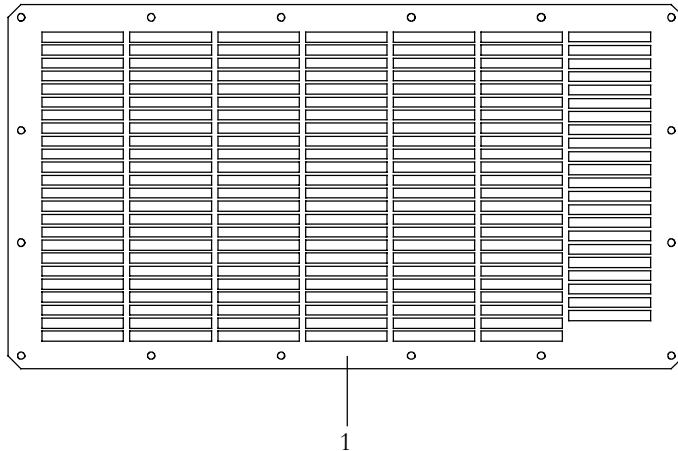
**2.3.4 CONDENSER, CM-5, HARNESS ASSEMBLY - 22-62012-00**



Used with CM5 Part # 77-62001-00

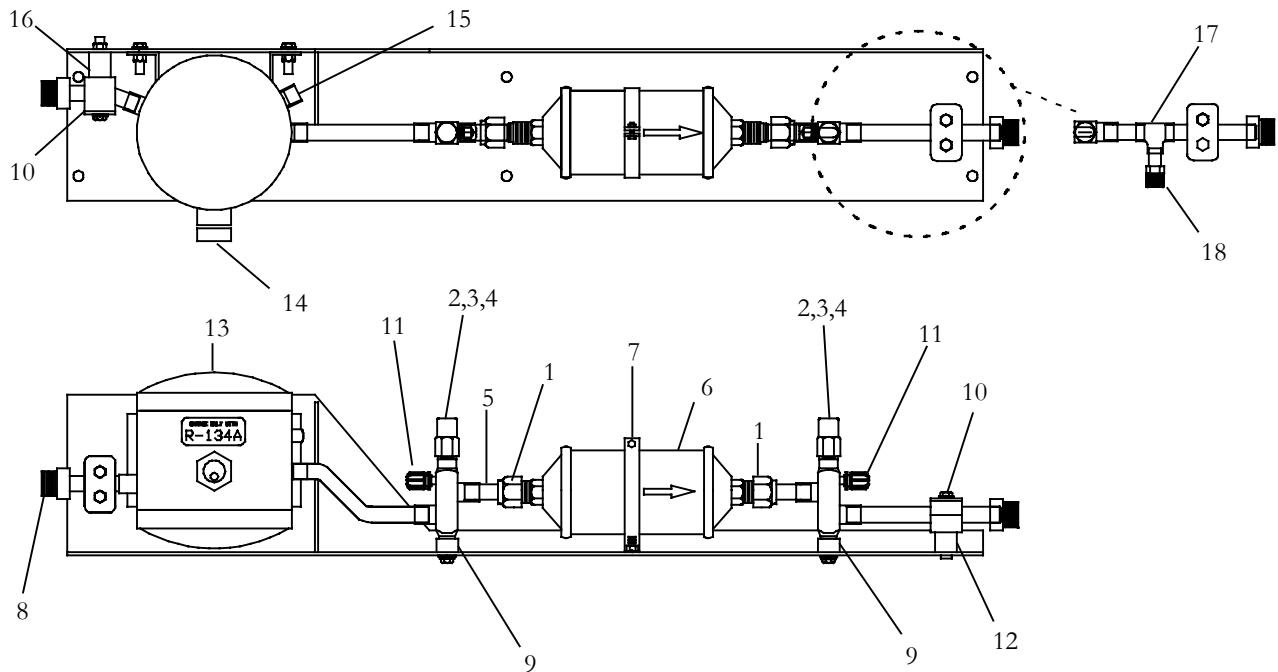
Item	Part Number	Description	Qty
1	22-01502-01	Terminal, Ring 1/4	8
2	22-01139-03	Connector, Male, Push On	4
3	58-00850-00	Split Loom, 1 in., Black	1

**2.3.5 CONDENSER, CM-5, SKIRT MOUNTED GRILL**



Reference Only

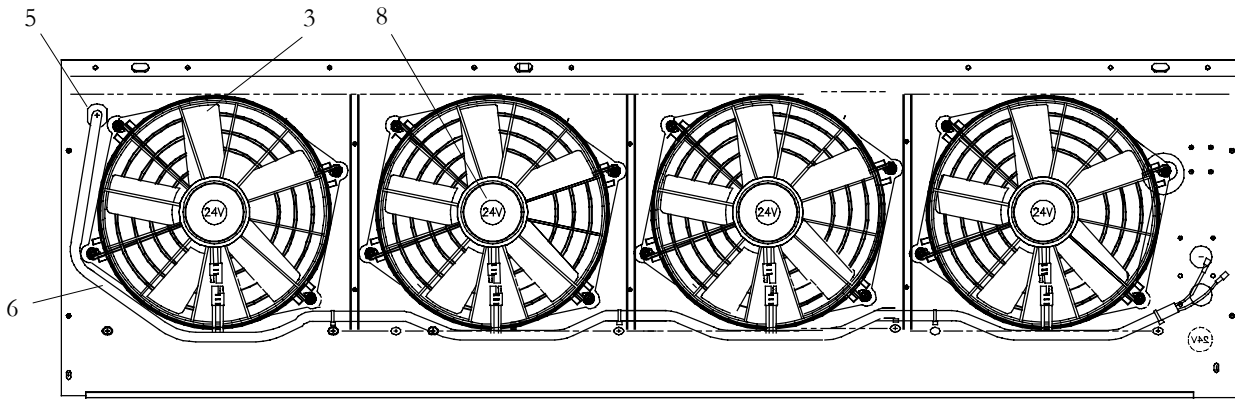
Item	Part Number	Description	Qty
1	68-62071-00	Grill, Condenser, SKT Mounted, 26 in. X 14 in.	3

**2.3.6 LIQUID LINE ASSEMBLY, CM-5, CM-14, & C4RE, (REMOTE)**


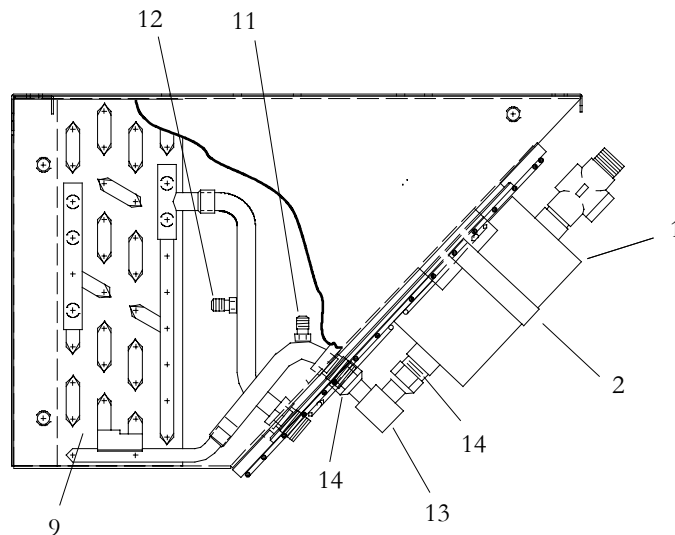
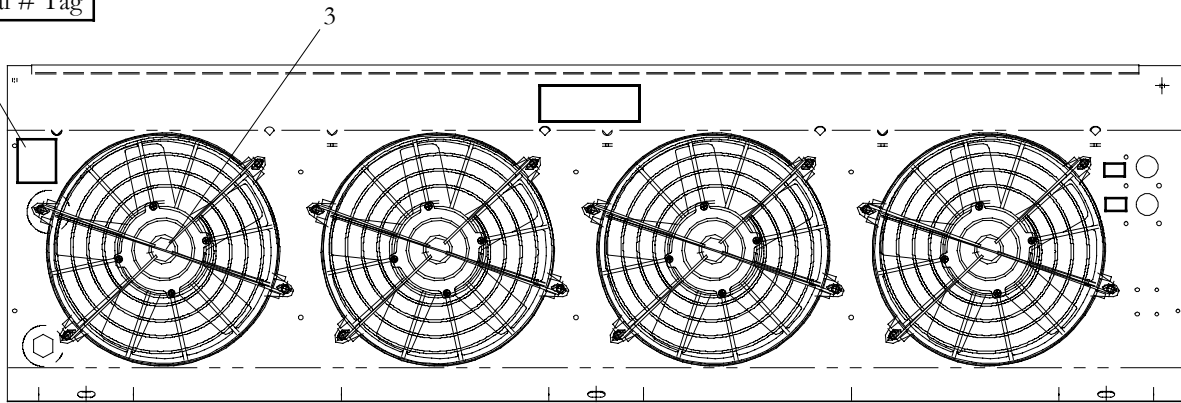
Item	Part Number	Description	Qty
1	40-00097-10	Nut, Flare, 5/8 Short	2
2	40-00501-05	Valve, King	2
3	14-00351-00	. . . Core, Schrader Valve	2
4	40-00501-50	. . . Cap, King Valve, Service Part	2
5	68RT10-1462	Tube, Flared, 5/8 OD X .040W Copper	1
6	14-00200-00	Filter Drier, 41 Cubic Inch	1
7	AC701-243	Clamp, Conduit, 3 Inch, SST	1
8	40-00491-09	Fitting, 5/8 ODF x 1.00 ORS	2
9	AC601-609	Spacer, 7/8 X 1/2 X 9/16 Inch	2
10	44-00285-82	Clamp, Tube, 5/8 OD	2
11	40-00501-50	Cap, King Valve, Service Part	2
12	AC601-615	Spacer, 7/8 X 1/2 X 15/16 Inch	2
13	65-01035-01	Receiver Assembly	1
14	AC101-203	Sightglass, Moisture Indicator, 7/8-14	1
15	14-01032-01	Plug, Fusible, 3/8 MPT	1
16	AC601-618	Spacer, 7/8 X 1/2 X 1-1/8 Inch	2
17	40-00169-33	Tee, Reducing, 5/8 X 5/8 X 1/2 , (C4RE Only)	1
18	40-62032-02	Nut, Swivel Fitting, #8 MIO X 1/2 Tube, (C4RE Only)	1

**SECTION 2.4 CM-14 CONDENSER SERIES**

**2.4.1 CONDENSER, CM-14 STANDARD MODEL (77-62083-02, -04, -08, -09, -10 & -11)**



Serial # Tag

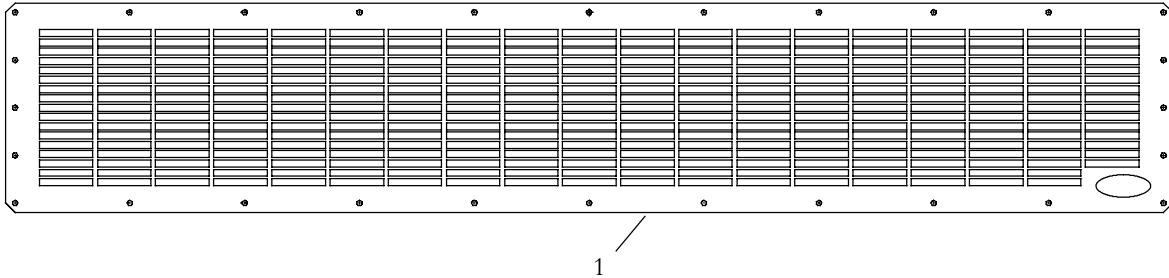




<b>2.4.1 CONDENSER, CM-14 STANDARD MODEL (77-62083-02, -04, -08, -09, -10 &amp; -11) - Continued :</b>			
<b>Item</b>	<b>Part Number</b>	<b>Description</b>	<b>Qty</b>
1	14-00288-00	Filter Drier/Sight Glass Assembly	1
2	AC701-269	Clamp, 2-1/16 Inch to 3 Inch	1
3	54-00618-01	...Fan & Motor Assembly, Vector, 12V W/Fuse, (No Repl. Motor) Includes:	4
3A	22-02336-25	.....Fuse, 20 Amp	1
4	66U1-3882	...Wire Tie, Self-Locking, 7.00 Inches, Black	A/R
5	58-62019-00	...Bushing, Strain Relief	1
6	22-62275-00	...Harness Assembly, Staged Fans, Standard 12 VDC - Includes:	1
6A	22-02392-00	.....Connector, 2 Pin, Black	1
6B	22-02393-01	.....Terminal, Male (18-20 AWG)	2
6C	22-02394-00	.....Seal, Cable, Gray	2
6D	22-50371-00	.....Connector, 2 Pin	1
6E	22-50372-00	.....Terminal, Male (8 AWG)	2
7	AC030-234	...Guard, Fan, Condenser	4
8	54-00545-00	...Fan & Motor Assembly, 24 VDC	4
	54-00618-02	...Fan & Motor Assembly, 11" Vector, 24 VDC w/Fuse	4
4	66U1-3882	...Wire Tie, Self-Locking, 7.00 Inches, Black	A/R
5	58-62019-00	...Bushing, Strain Relief	1
6	22-62275-00	...Harness Assembly, Staged Fans, CM-14, Standard, 24V - Includes:	1
6A	22-02392-00	.....Connector, 2 Pin, Black	1
6B	22-02393-01	.....Terminal, Male (18-20 AWG)	2
6C	22-02394-00	.....Seal, Cable, Gray	2
6D	22-50371-00	.....Connector, 2 Pin	1
6E	22-50372-00	.....Terminal, Male (8 AWG)	2
9	81-62105-00	Coil Assembly, Condenser, CM-14 With Pressure Switches - Includes:	1
10	08-62036-00	...Coil Assembly, Condenser (CM-14)	1
11	AC201-414	...Switch, Pressure, High	1
12	AC201-412	...Switch, Pressure, Low	1
13	40-62036-00	Fitting, 90 Degree, 1/2 Inch F.O.R. X 1/2 Inch F.O.R.	1
14	AC801-202	O-Ring, 1/2 Inch, HNBR	4

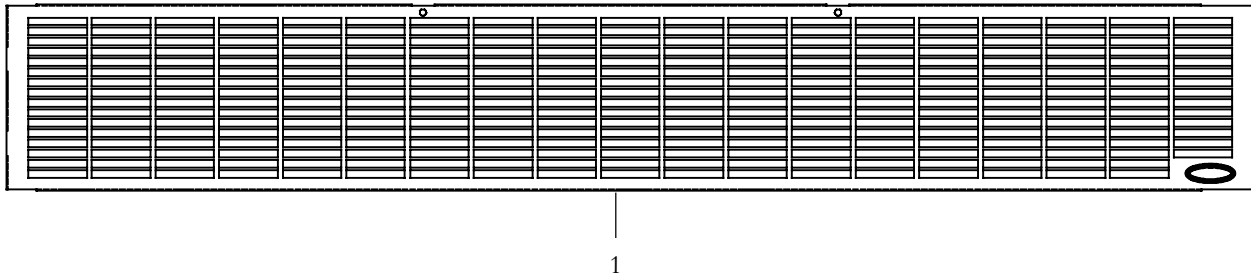


**2.4.2 CONDENSER, CM-14, GRILL, STANDARD MODEL, (77-62083-02 & -04)**



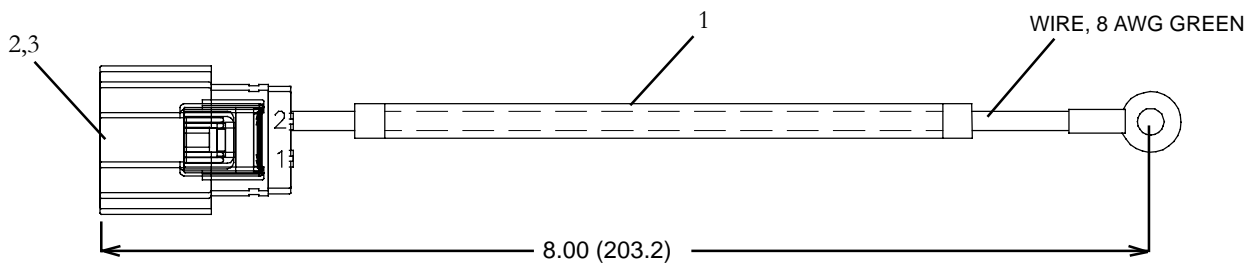
1	68-63265-00	Grill, Skirt Mounted, CM-14	1
---	-------------	-----------------------------	---

**2.4.2 CONDENSER, CM-14, GRILL, CHASSIS MOUNTED - (77-62083-08 & -09)**



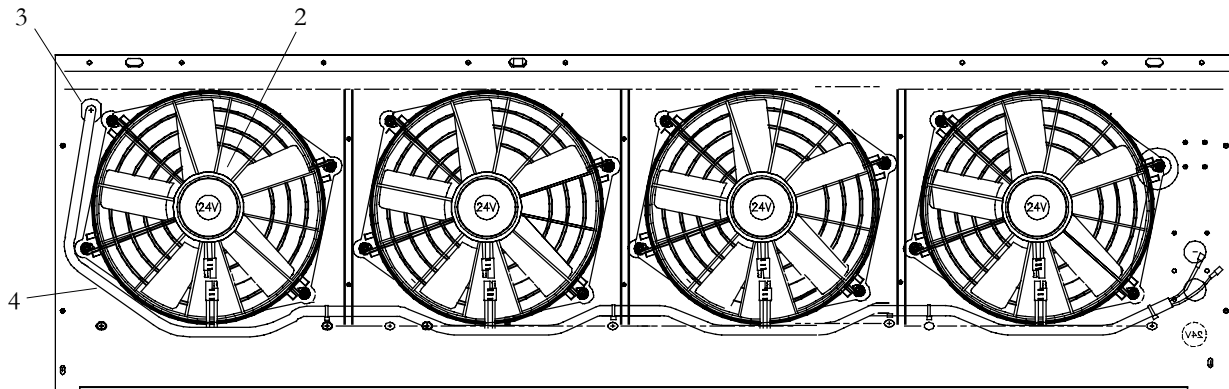
1	68-63566-00	Grill, Condenser, Chassis Mounted, Painted	1
---	-------------	--	---

**2.4.3 CM-14, CONDENSER GROUND/POWER HARNESS (FOR 77-62083-02, -04, -08, -09)**

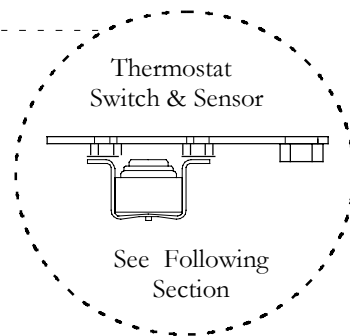
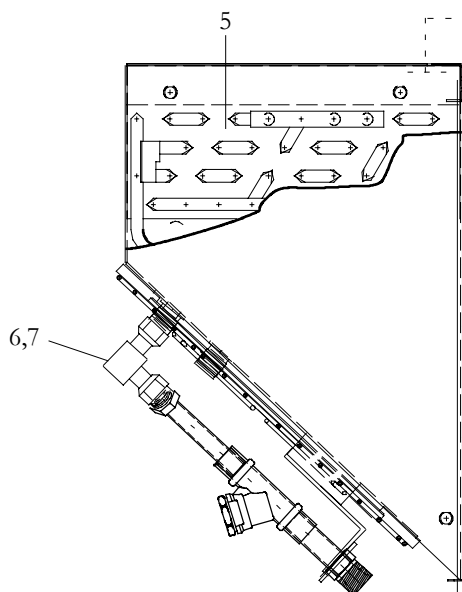
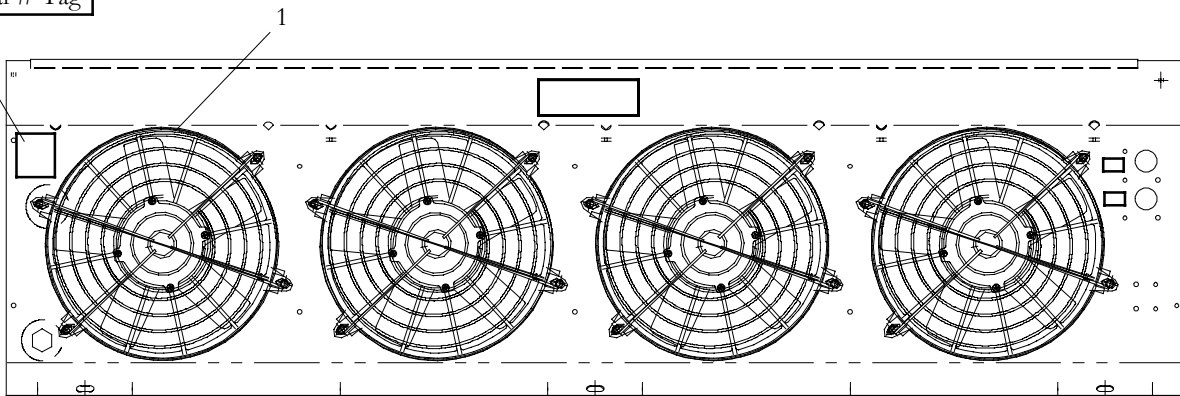


Item	Part Number	Description	Qty
1	22-62277-00	Harness, Condenser - Includes:	1
2	22-50099-28	...Housing, Receptacle, 2 Pin, Black	1
3	22-50099-28A	...Terminal, Female (8 AWG)	1

**2.4.4 CONDENSER, CM-14 C4RE MODEL (77-62083-00)**



Serial # Tag

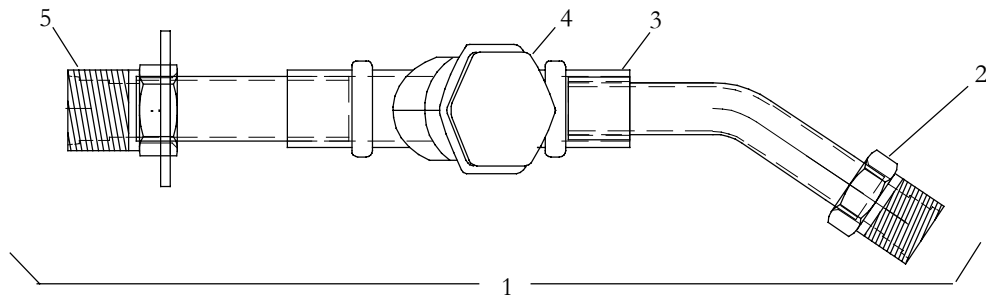




**2.4.4 CONDENSER, CM-14 C4RE MODEL (77-62083-00) - Continued :**

Item	Part Number	Description	Qty
1	AC030-234	.....Guard, Fan, Condenser	4
2	54-00545-00	.....Fan & Motor Assembly, 24 VDC	4
3	58-62019-00	.....Bushing, Strain Relief	1
4	22-62163-00	.....Harness Assembly, Staged Fans, CM-14, C4RE	1
5	08-62036-00	Assembly, Coil, CM-14	1
6	40-62036-00	Fitting, 90 Degree, 1/2 Inch F.O.R. X 1/2 Inch F.O.R.	1
7	AC801-202	O-Ring, 1/2 Inch, HNBR	2

**2.4.4 CONDENSER, CM-14 C4RE, CHECK VALVE & TUBE ASSEMBLY**

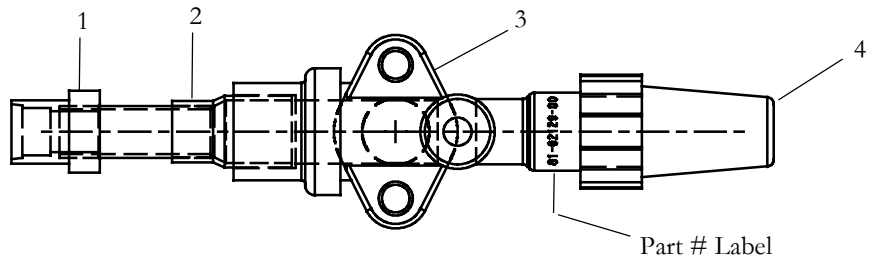


1	81-62122-00	Check Valve & Tube Assembly - Includes:	1
2	40-62032-02	.....Nut, Swivel, #8 MIO X 1/2 ODF.	1
3	40-00201-04	.....Bushing, Flush, 5/8 ODM X 1/2 ODF	1
4	14-00029-04	.....Valve, Check, 5/8 ODF	1
5	40-62032-01	.....Nut, Swivel Fitting, #10 MIO X 5/8 ODF	1



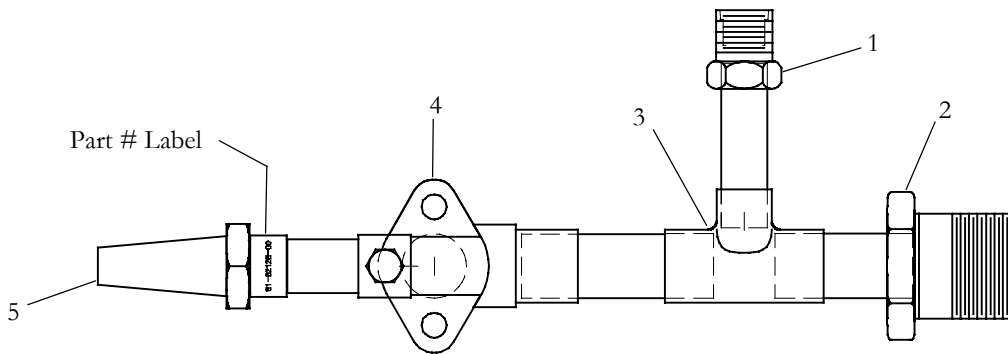


**2.4.4 CONDENSER, CM-14 C4RE, DISCHARGE VALVE ASSEMBLY (BB)**



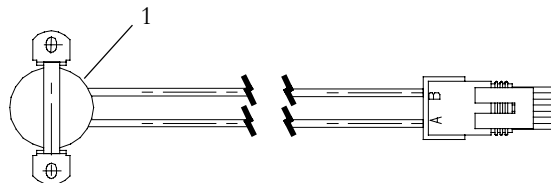
NSI	81-62129-00	Discharge Valve Assembly - Includes:	1
1	40-62032-01	.....Nut, Swivel Fitting, #10 MIO X 5/8 ODF	1
2	40-00490-12	.....Reducer, Copper	1
3	14-01042-08	.....Valve, Compressor Shut-Off, (For 7/8 Tubing)	1
4	17-10812-01	.....Cap, Valve, Plastic	1

**2.4.4 CONDENSER, CM-14 C4RE, SUCTION VALVE ASSEMBLY (BB)**



NSI	81-62128-00	Suction Valve Assembly - Includes:	1
1	40-62032-01	.....Nut, Swivel Fitting, #10 MIO X 5/8 ODF	1
2	40-00491-18	.....Fitting, ORS, Brass, 1-11/16-12 Thread (For 7/8 Tubing)	1
3	40-00169-13	.....Tee, Reducing, Copper (7/8 X 7/8 X 5/8)	1
4	EN07AA284	.....Valve, Compressor Shut-Off (For 7/8 Tubing)	1
5	17-10812-01	.....Cap, Valve, Plastic	1

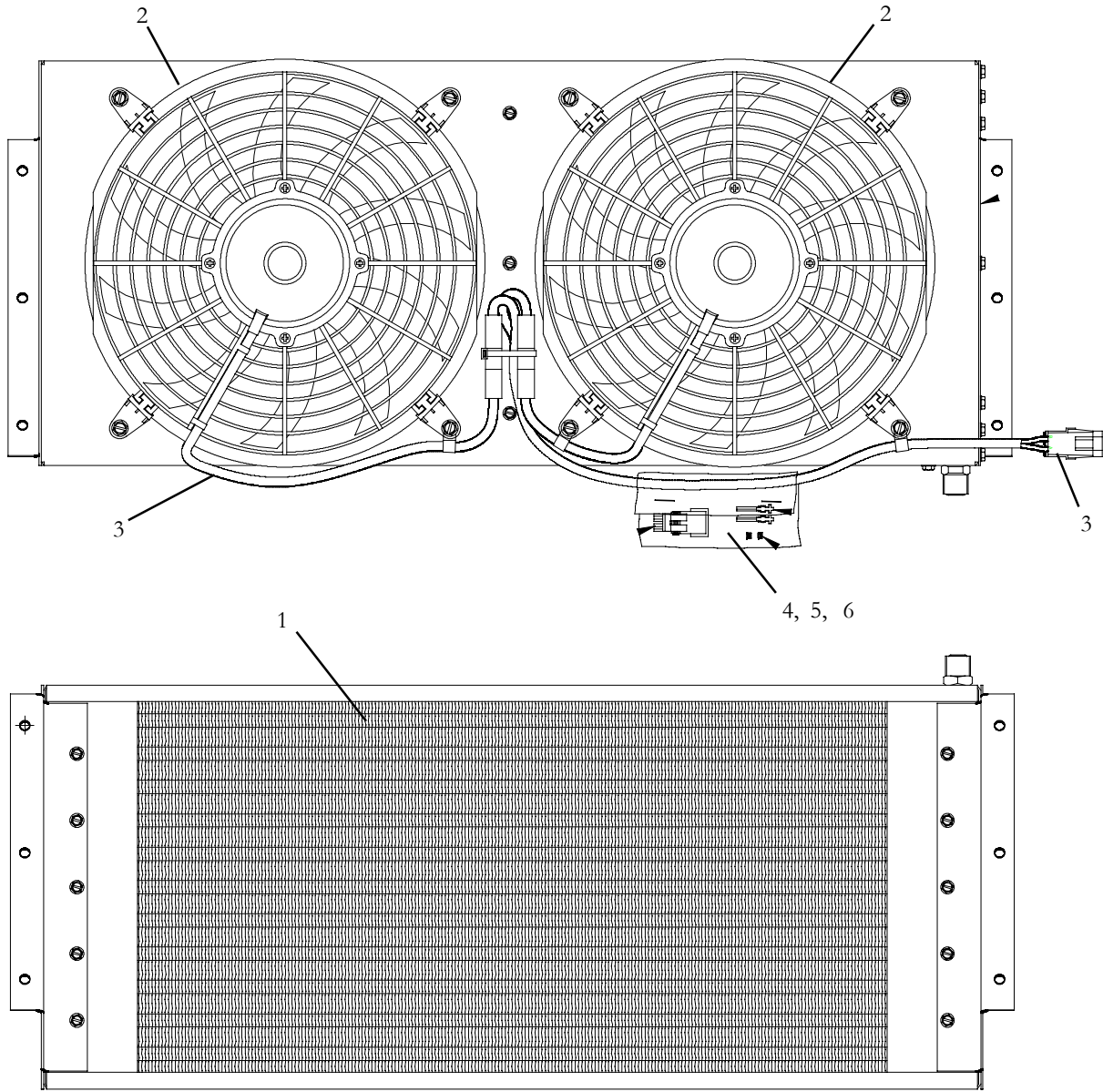
**2.4.4 CONDENSER, CM-14 C4RE LOW AMBIENT THERMOSTAT SWITCH**



1	10-00317-01	Switch, Thermostat, Low Ambient (C4RE Only)	1
---	-------------	---	---

**SECTION 2.5 CM-15 CONDENSER SERIES**

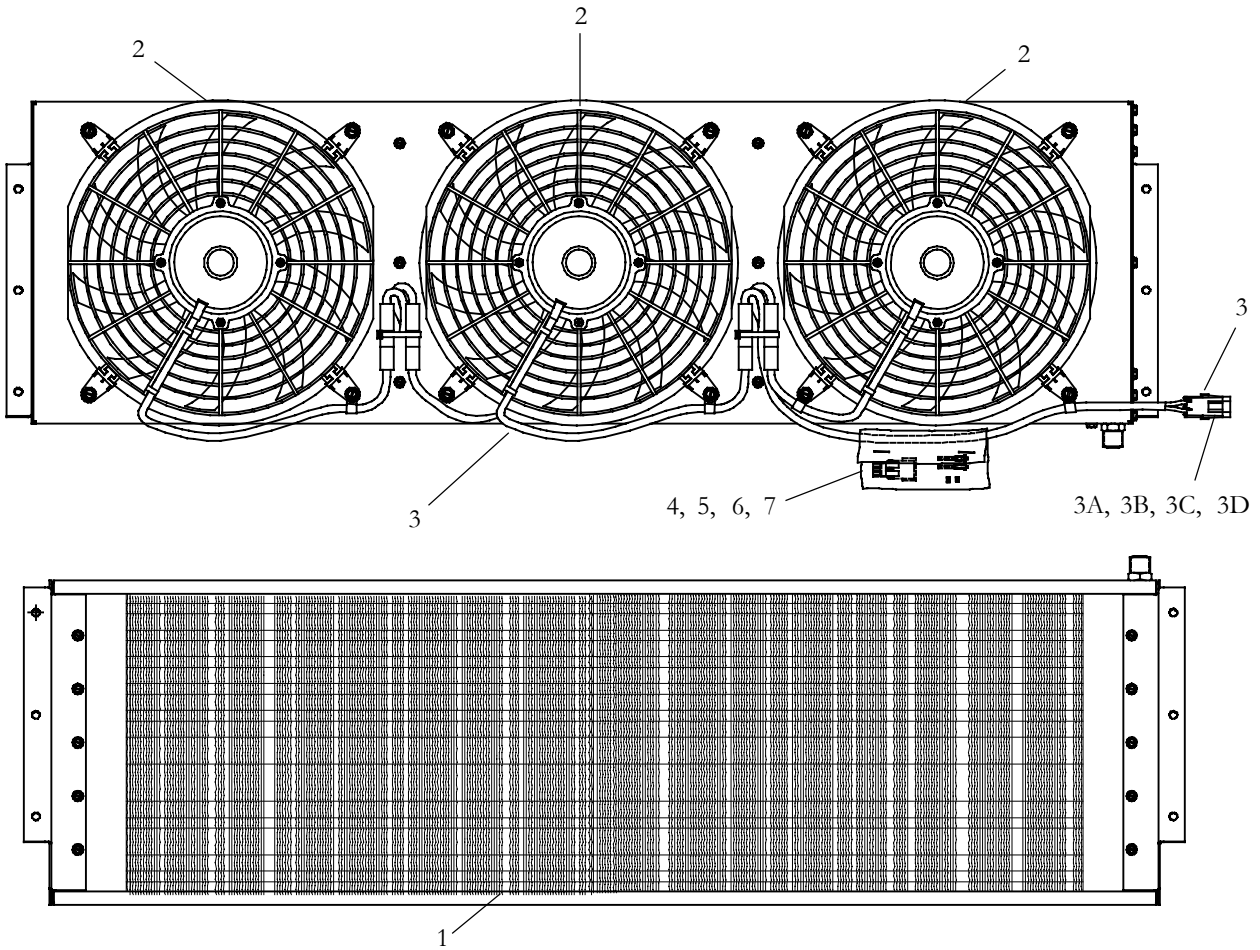
**2.5.1 CONDENSER, CM-15 (77-62175-00)**



Item	Part Number	Description	Qty
1	08-50018-00	Coil Assembly, Two Fan Condenser	1
2	54-50108-00	Fan & Motor Assembly, Condenser, 12 VDC	2
3	22-50343-00	Harness, Two Fan Condenser	1
4	22-01585-00SK	Connector, Male, 2 Pin, Black	1
5	22-50078-58H	Terminal, Female (12 AWG)	2
6	22-02394-01	Seal, Cable, Blue	2

**SECTION 2.6 CM-16 CONDENSER SERIES**

**2.6.1 CONDENSER, CM-16 (77-62201-00)**



Item	Part Number	Description	Qty
1	08-50020-00	Coil Assembly, Three Fan Condenser	1
2	54-50108-00	Fan & Motor Assembly, Condenser, 12 VDC	3
3	22-50358-00	Harness, Three Fan Condenser - Includes:	1
3A	22-50078-01	...Connector, Male, 2 Pin, Black	1
3B	22-50078-47B	...Terminal, Male (12-14 AWG)	2
3C	22-02394-00	...Seal, Cable, Gray	2
3D	22-50078-01A	...Lock, Secondary	1
4	22-50078-02	Connector, Female, 2 Pin, Black	1
5	22-50078-47E	Terminal, Female (12-14 AWG)	2
6	22-02394-00	Seal, Cable, Gray	2
7	22-50078-01A	Lock, Secondary	1



SECTION 2.7 K410 CONDENSER SERIES

2.7.1 CONDENSER, K410, 3 MOTOR, 12V (SPAIN) 02-94-10-101-00



Item	Part Number	Description	Qty
1	SES132236	Cover, Condenser, K410	1
2	SES130027	Fan & Motor Assembly, Condenser, 12 VDC	3
3	SES261045	Spade, Terminal, Male	6



2.7.1 CONDENSER, K410, 3 MOTOR, 12V ( SPAIN) - Continued:



Item	Part Number	Description	Qty
4	SES132205	Coil Assembly, Condenser, K410, Complete	1
5	SES172643	Receiver Tank/Tube Assembly	1
6	SES171087	Valve, Safety, 3/8	1
7	22-62303-00	Harness Assembly, Electrical	NSI
8	SES181104	Switch, High Pressure	1
9	SES248014	Clamp, Hose, 50/70S	1
10	66U1-3882	Wire Tie, Self-Locking, 7.00 Inches, Black	10

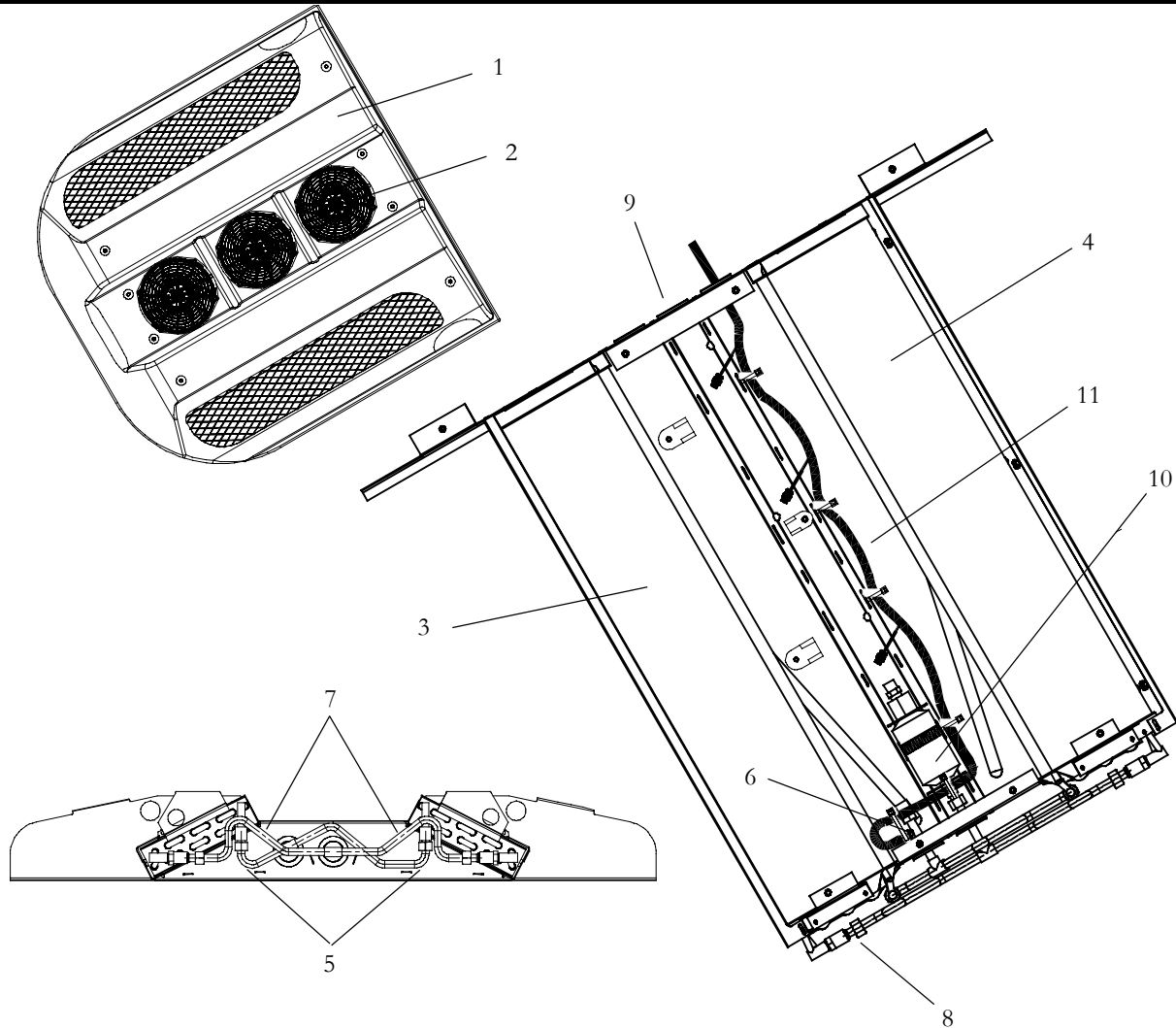


2.7.1 CONDENSER, K410, 3 MOTOR, 12V (SPAIN) - Continued:





2.7.2 CONDENSER, K410, 3 MOTOR, 12V (NORTH AMERICAN VERSION)

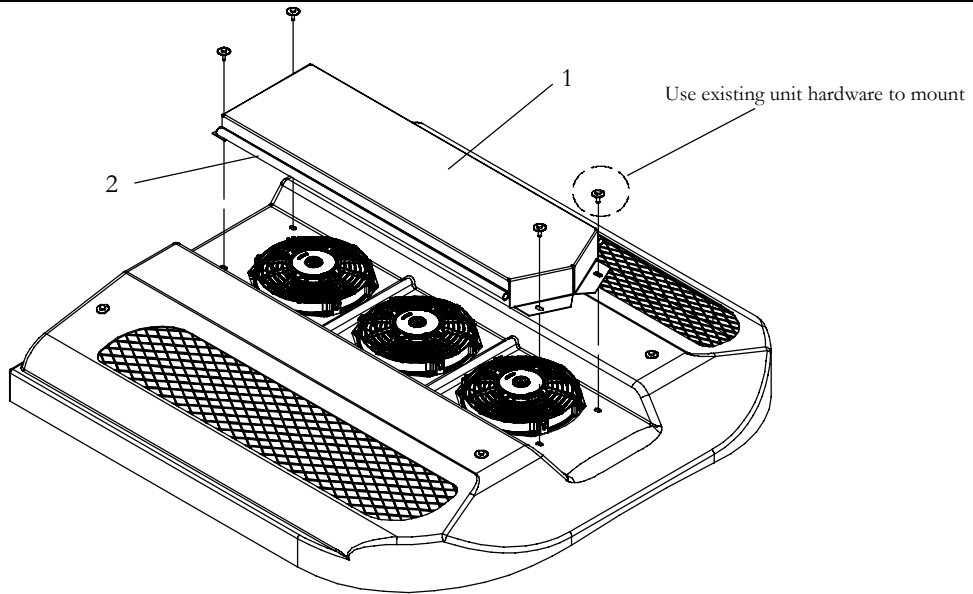


REF. UNIT #'s 77-62251-00, -01, -21, -22, -23, -24, -25, -26

Item	Part Number	Description	Qty
1	79-62136-00	Cover Assembly, NA 7071MM (Used w/ units 77-62251-00, -21, -23, -24, -25)	1
	79-62136-01	Cover Assembly, NA 3000MM (Used w/ units 77-62251-01, -22, -26)	
2	54-00643-00	Condenser Fan Assembly	3
3	08-62081-00	Condenser Coil Assembly, Curbside	1
4	08-62081-01	Condenser Coil Assembly, Roadside	1
5	81-62169-00	Tube Assembly, Hot Gas In	1
6	AC201-414	Pressure switch, High (400-300 psig)	1
7	81-62170-00	Tube Assembly, Liquid Out	1
8	AC801-202	O-Ring, (1/2" HN BR)	5
9	58-62223-00	Grommet	5
10	14-00288-00	Filter Drier, (16 cu.in. w/Sightglass)	1
11	22-62312-00	Wire Harness	1



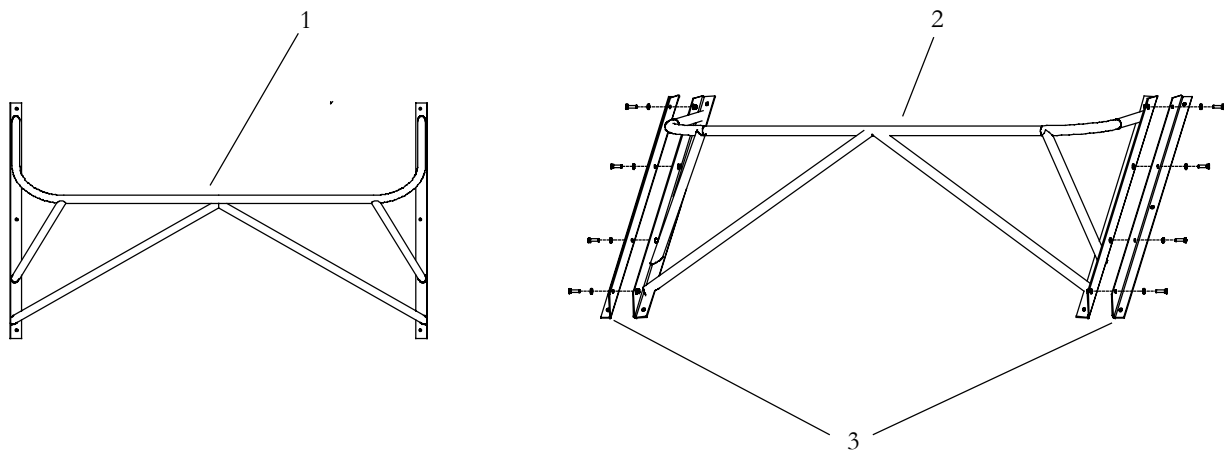
**2.7.3 CONDENSER, K410 WINTERGUARD KIT (NORTH AMERICAN VERSION) KIT # 76-62362-00**



FOR UNIT #'s 77-62251-XX (ALL N.A. VERSIONS)

Item	Part Number	Description	Qty
1	68-63885-00	Cover	1
2	58-62064-01	Trim, Flexible, 1/16 in. Grip (5.42 LN. FT.)	1

**2.7.4 CONDENSER, K410 BRUSH GUARD KIT (NORTH AMERICAN VERSION) KIT #**



Item	Part Number	Description	Qty
1	86-62565-00	Weld Assembly, Branch Guard (6° Angle Integrated Mounting Foot)	1
2	86-62565-01	Weld Assembly, Branch Guard (6° Angle & Universal Mounting Foot)	1
3	Y24-00185-00	Universal Mounting Bracket, Branch Guard	2



## SECTION 2.8 CONDENSER, K430 Condensers

### INTRODUCTION

The Mobile Climate Control model K430 series condensers are of lightweight frame construction, designed to be installed on the vehicle roof.

### CONFIGURATION IDENTIFICATION

Unit identification information is provided on a plate located inside the condenser. The plate provides the unit model number, the unit serial number. The model number identifies the overall unit configuration listed in the options table to identify the replacement parts.

This section provides a description of and a tabular listing of unit model numbers to assist the reader in identifying the equipment supplied and any required service parts.

### OPTION DESCRIPTION

Various options may be factory or field equipped to the base unit. These options are listed in the tables and described in the following subparagraphs.

#### Skins Kit

The top cover is designed to allow for different mounting arrangements on high roof radius or low roof radius configurations.

#### Refrigeration Kit

The unit may be fitted with a single or dual loop refrigeration system

#### Electrical Kit

The unit may be fitted with 12 or 24 volt fan motors.

#### Frame Kit

The condenser may be fitted with one of two different base assemblies. The assemblies differ dependent on single or dual loop refrigerant system configuration.

### OPTION LEGEND K430

<b>Skins Kit K430, 4001 &amp; 4002 Series</b>	
1	Top Cover - Radius 4.6M
2	Top Cover - Radius 7.8M
3	Top Cover - Radius 2.7M
<b>Chassis (Coil) Kit K430, 4001 &amp; 4002 Series</b>	
1	Dual Loop
2	Single Loop
<b>Refrigeration Piping Kit K430, 4001 &amp; 4002 Series</b>	
1	Dual Loop
2	Single Loop
3	Dual Loop (Less Filter Driers)
<b>Fan &amp; Motor Kit K430, 4001 &amp; 4002 Series</b>	
1	3 Fan 12 VDC W/PM Motors
2	2 Fan 12 VDC W/PM Motors
3	3 Fan 24 VDC W/PM Motors
<b>Electrical Kit K430, 4001 &amp; 4002 Series</b>	
1	Single Loop 3 Fan, W/P
2	Dual Loop 3 Fan, W/P
3	Dual Loop 2 Fan, W/P
4	Single Loop, 3 Fan, 24 vdc,W/P, Circuit Protect
5	Single Loop, 2 Fan, 12 vdc,Molex, Circuit Protect
6	Single Loop, 3 Fan, 12 vdc,Molex, Circuit Protect
7	Dual Loop, 2 Fan, 12 vdc,Molex, Circuit Protect
8	Dual Loop, 3 Fan, 12 vdc,Molex, Circuit Protect
9	Dual Loop, 2 Fan, 24 vdc,Molex, Circuit Protect
10	Dual Loop, 3 Fan, 24 vdc,Molex, Circuit Protect



**OPTION TABLE K430 - Single Circuit**

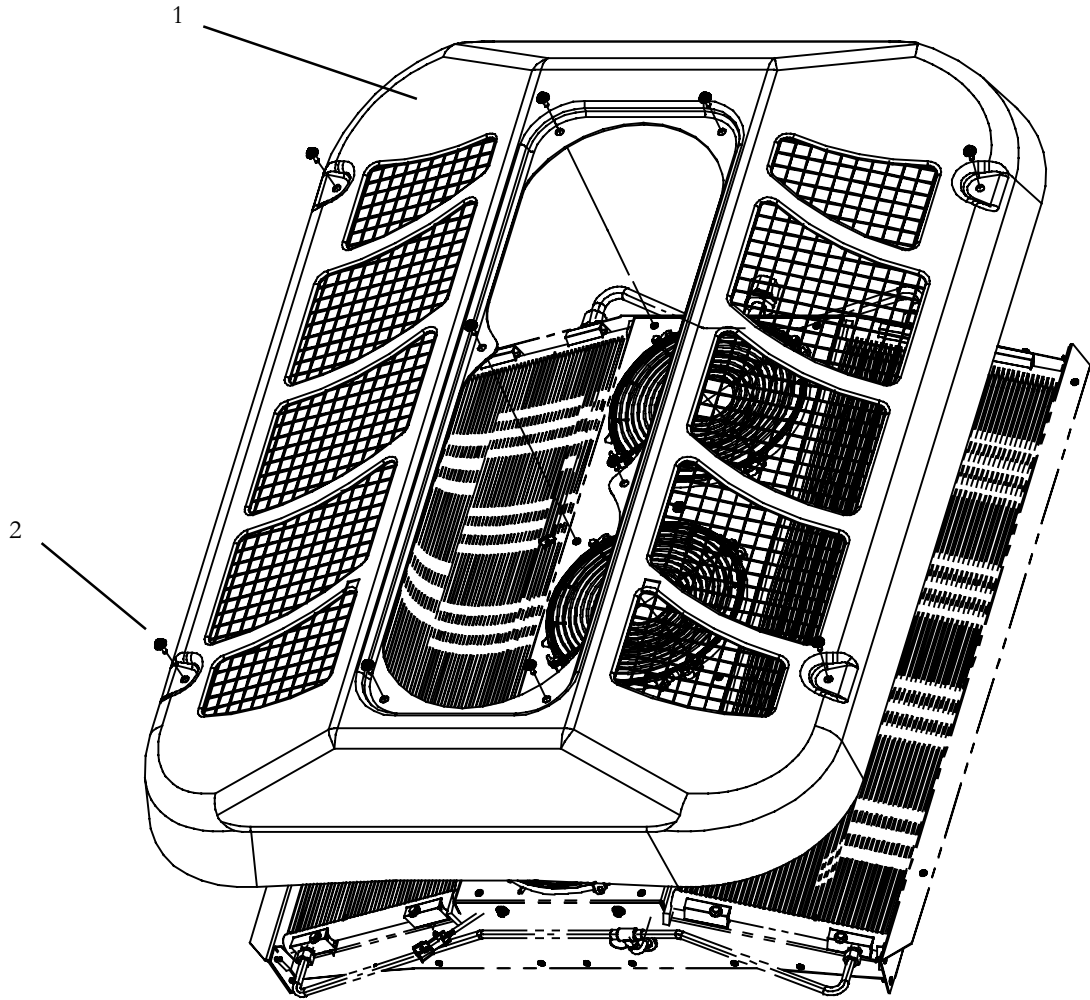
<b>MODEL K430 Y74 -43001-</b>	<b>Cover Kit</b> (See Section 2.8.1)	<b>Chassis Kit</b> (See Section 2.8.2)	<b>Piping Kit</b> (See Section 2.8.3)	<b>Fan &amp; Motor Kit</b> (See Section 2.8.4)	<b>Electrical Kit</b> (See Section 2.8.5)
-00	1	2	2	3	1
-01	2	2	2	3	1
-02	1	2	2	1	6
-03	2	2	2	1	6
-04	3	2	2	3	1
-05	1	2	2	1	1

**OPTION TABLE K430 - Dual Circuit**

<b>MODEL K430 Y74 -43002-</b>	<b>Cover Kit</b> (See Section 2.8.1)	<b>Chassis Kit</b> (See Section 2.8.2)	<b>Piping Kit</b> (See Section 2.8.3)	<b>Fan &amp; Motor Kit</b> (See Section 2.8.4)	<b>Electrical Kit</b> (See Section 2.8.5)
-00	1	1	1	2	7
-01	2	1	1	1	7
-02	1	1	1	2	8
-03	2	1	1	1	8
-04	1	1	3	2	7
-05	2	1	3	2	7
-06	1	1	3	1	8
-07	2	1	3	1	8
-08	3	1	1	2	7
-09	3	1	1	1	8
-10	1	1	1	1	8
-11	1	1	1	1	8
-12	1	1	1	2	7
-13	1	1	1	2	7
-14	1	1	1	4	7
-15	2	1	1	4	7
-16	1	1	1	3	8
-17	2	1	1	3	8



2.8.1 CONDENSER SKINS (COVERS), K430- OPTIONS 1 & 2 & 3

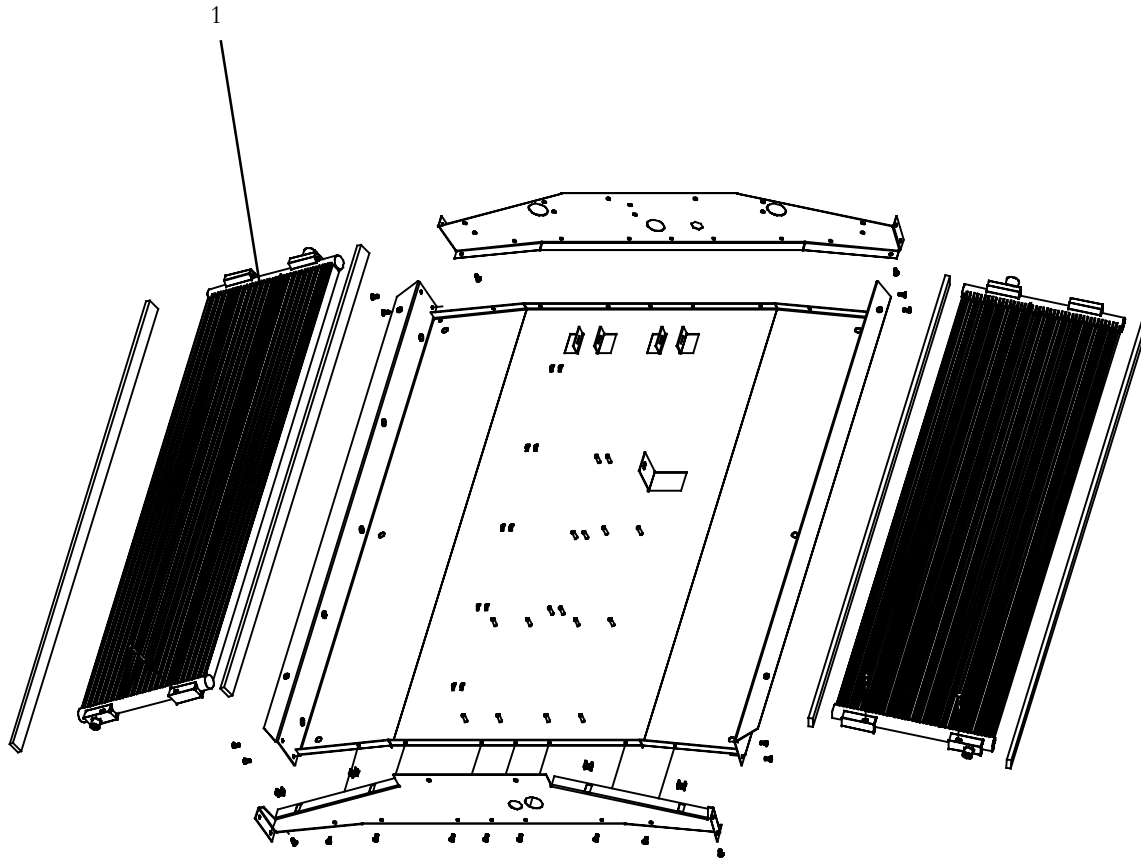


REF: Y19-43001-00 , -01 & -03

Item	Part Number	Description	Qty
1	Y28-00037-00	Cover, K430 Radius, 4.6M- <b>Option 1</b>	1
	Y28-00037-01	Cover, K430 Radius, 4.6M- <b>Option 2</b>	1
	Y28-00037-02	Cover, K430 Radius, 2.7M- <b>Option 3</b>	1
2	NSI	Screw, Hex HD SEMS, (Metric) M6 - 1.0 x 20 MM <b>(ALL)</b>	10



2.8.2 CHASSIS Kit (Coils), K430- OPTIONS 1 & 2

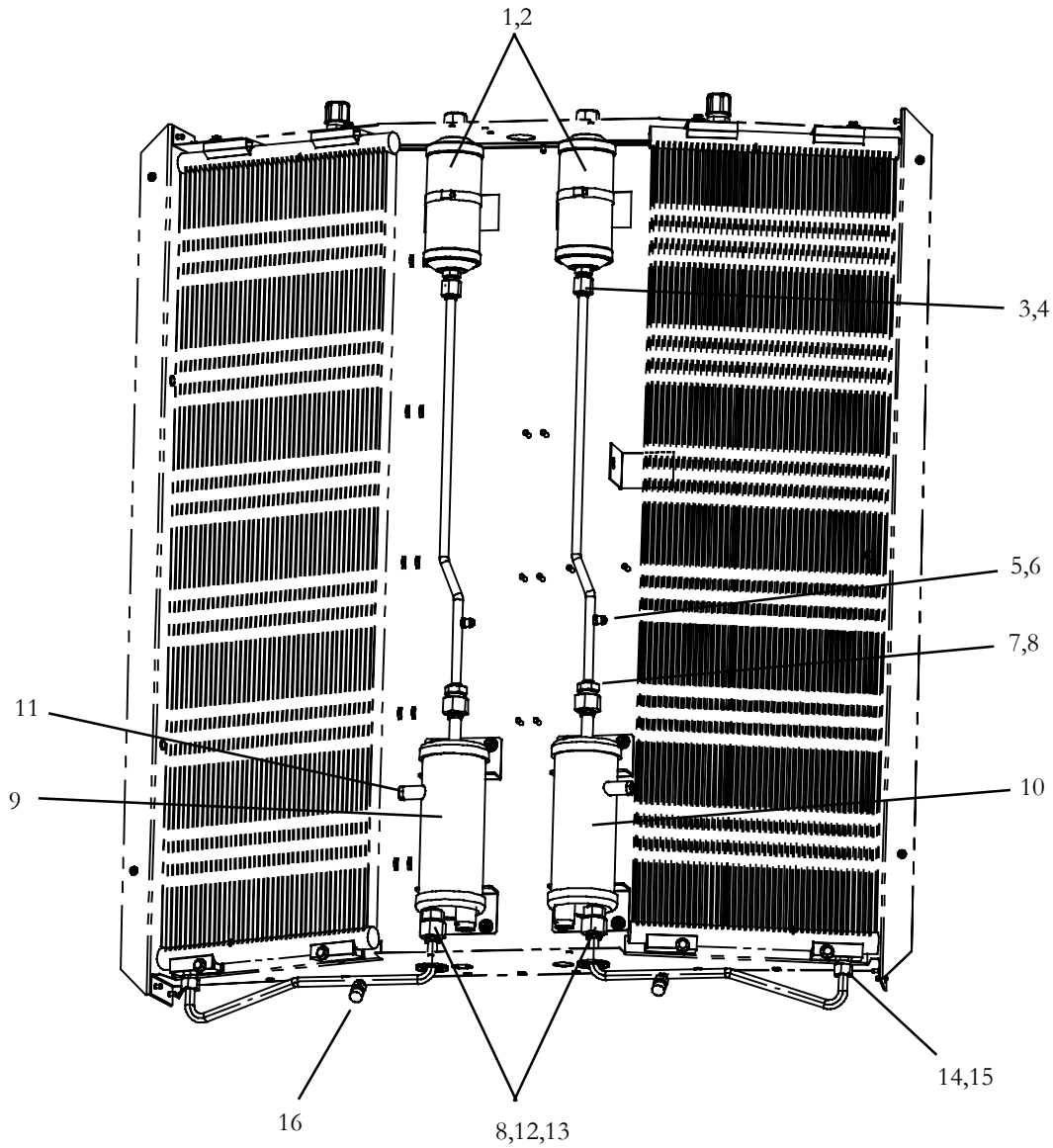


REF: Y19-43002-00 & 01

Item	Part Number	Description	Qty
1	Y21-00004-01	Coil ,Condenser, MCHX - Options 1 & 2	2



2.8.3 REFRIGERATION PIPING KIT, K430, DUAL LOOP- OPTION 1



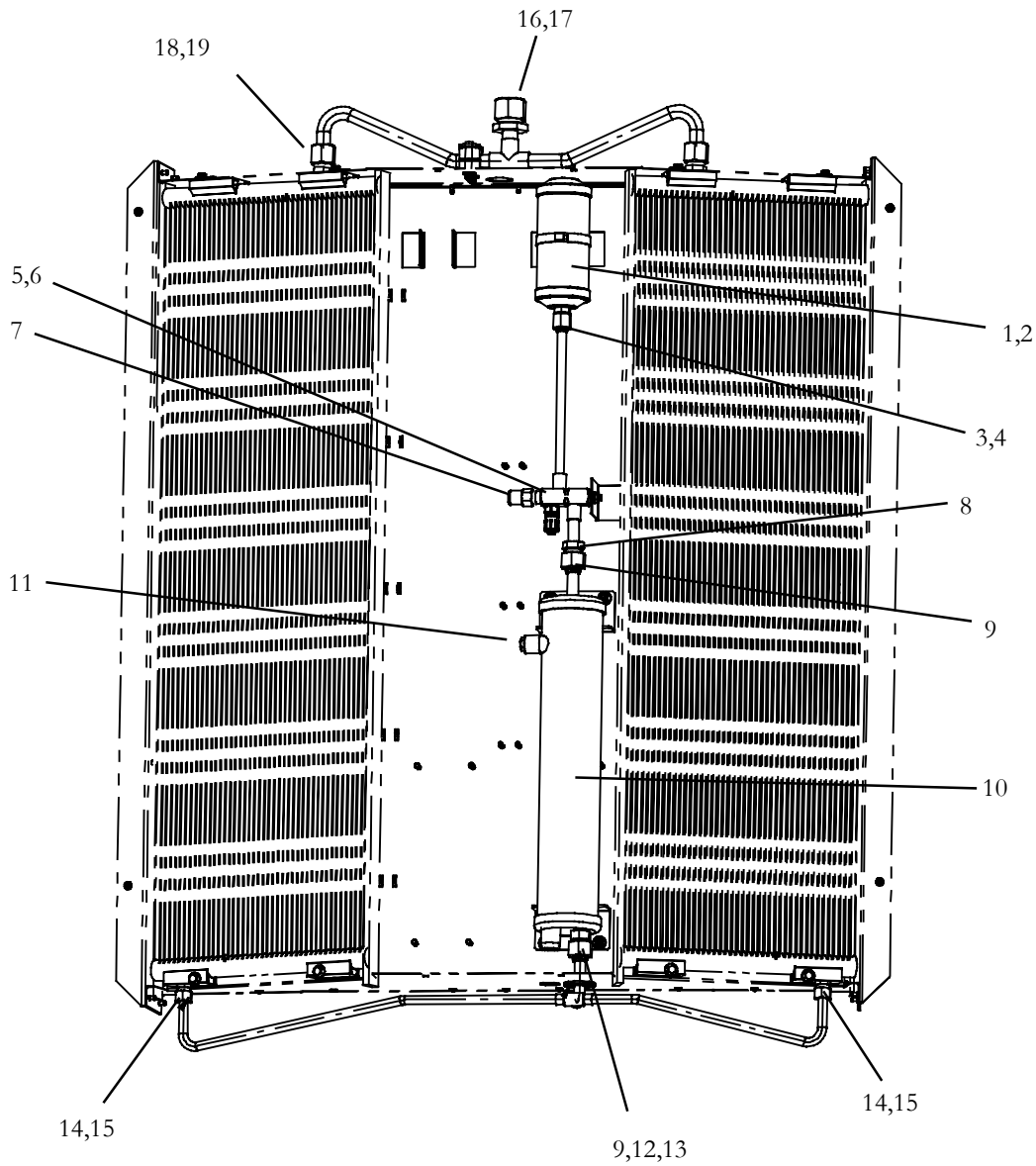
REF: Y19-43004-00

Item	Part Number	Description	Qty
1	14-00326-05	Filter Drier	2
2	42-00243-04	O-Ring, 0.489 ID x 0.070 THK	4
3	40-60008-03	Shoulder, ORS #8 x 1/2" OD Tube	2
4	40-60009-03	Hex Nut, ORS #8 x 1/2" OD Tube	2
5	40-01124-00	Valve Body, Access Port	2
6	14-00351-00	Core, Schrader Valve	2
7	40-00491-09	Fitting, ORS Ref. Conn. 1" - 14	2
8	42-00243-03	O-Ring, 0.614 ID x 0.070 THK	4
9	Y26-00054-00	Receiver Tank	1
10	Y26-00054-01	Receiver Tank	1



<b>2.8.3 REFRIGERATION PIPING KIT, K430, DUAL LOOP- OPTION 1 (Continued)</b>			
<b>Item</b>	<b>Part Number</b>	<b>Description</b>	<b>Qty</b>
11	14-01032-01	Fusible Plug	2
12	40-60008-04	Shoulder, ORS #10 x 5/8" OD Tube	2
13	40-60009-04	Hex Nut, ORS #10 x 5/8" OD Tube	2
14	40-62125-08	Adaptor Nut, Female Insert O-Ring	2
15	42-00243-12	O-Ring, 0.426 ID x 0.070 THK	2
16	40-60042-01	Coupling, M8, R134a	2

**2.8.3 REFRIGERATION PIPING KIT, K430 SINGLE LOOP- OPTION 2**



REF: Y19-43005-00

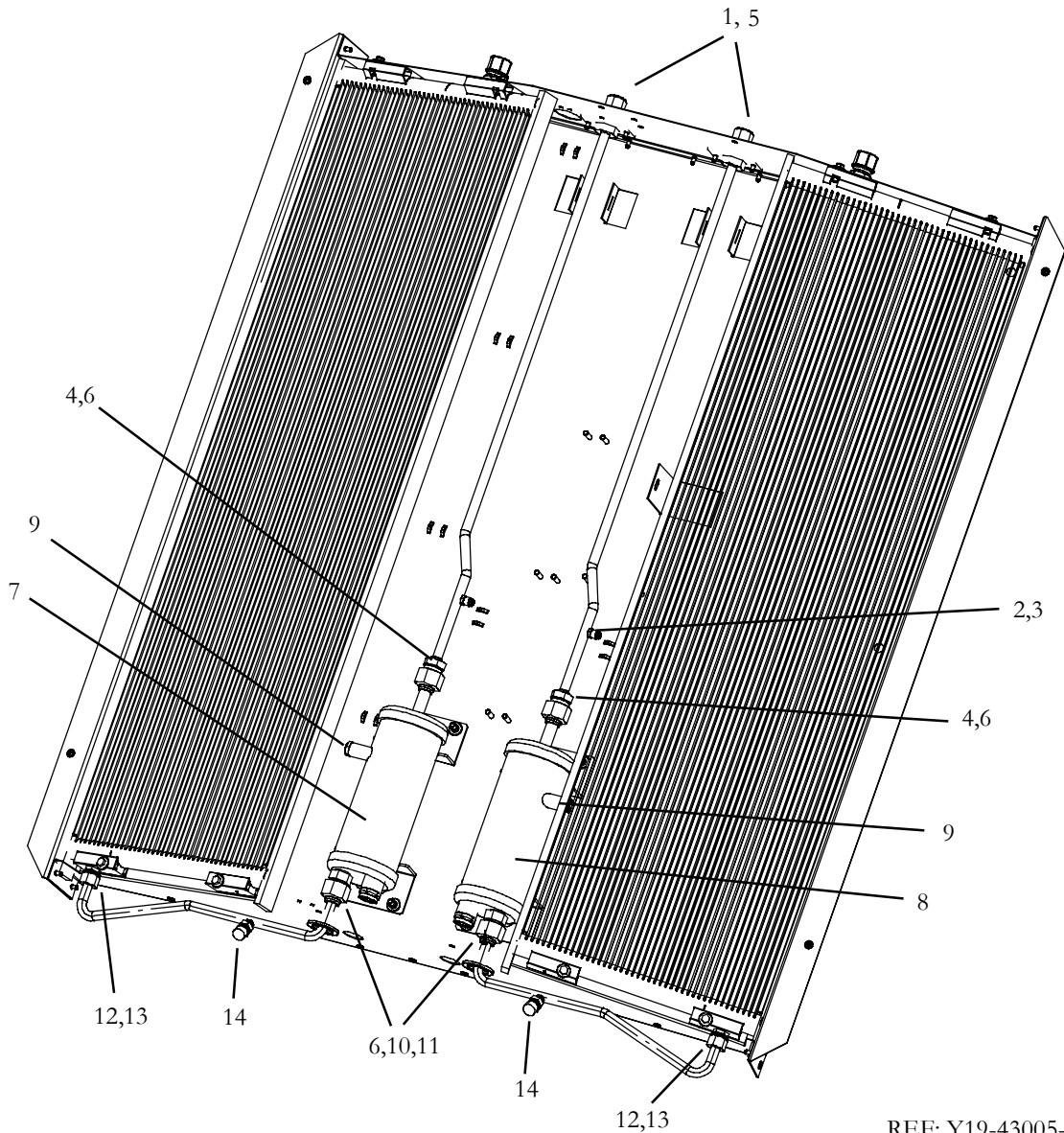
Item	Part Number	Description	Qty
1	14-00326-05	Filter Drier	1
2	42-00243-04	O-Ring, 0.489 ID x 0.070 THK	2
3	40-60008-03	Shoulder, ORS #8 x 1/2" OD Tube	2
4	40-60009-03	Hex Nut, ORS #8 x 1/2" OD Tube	2
5	40-00501-05	Valve,King	1
6	14-00351-00	. . . Core, Schrader Valve	2
7	40-00501-50	. . . Cap, King Valve, Service Part	2
8	40-00491-09	Fitting, ORS Ref. Conn. 1" - 14	1
9	42-00243-03	O-Ring, 0.614 ID x 0.070 THK	2
10	Y26-00054-02	Receiver Tank	1
11	14-01032-01	Fusible Plug	2



<b>2.8.3 REFRIGERATION PIPING KIT, K430 SINGLE LOOP- OPTION 2 (Continued)</b>			
<b>Item</b>	<b>Part Number</b>	<b>Description</b>	<b>Qty</b>
12	40-60008-04	Shoulder, ORS #10 x 5/8" OD Tube	1
13	40-60009-04	Hex Nut, ORS #10 x 5/8" OD Tube	1
14	40-62125-08	Adaptor Nut, Female Insert O-Ring	2
15	42-00243-12	O-Ring, 0.426 ID x 0.070 THK	2
16	40-00491-00	Fitting, ORS Ref. Conn. , 1-7/16" - 12 x 7/8" ODF	1
17	42-00243-00	O-Ring, 0.921 ID x 0.139 THK	1
18	40-67014-03	Nut, Hex, ORP	2
19	42-00243-11	O-Ring, 0.739 ID x 0.070 THK	2



**2.8.3 REFRIGERATION PIPING KIT, K430 DUAL LOOP (Less Filter Driers) - OPTION 3**



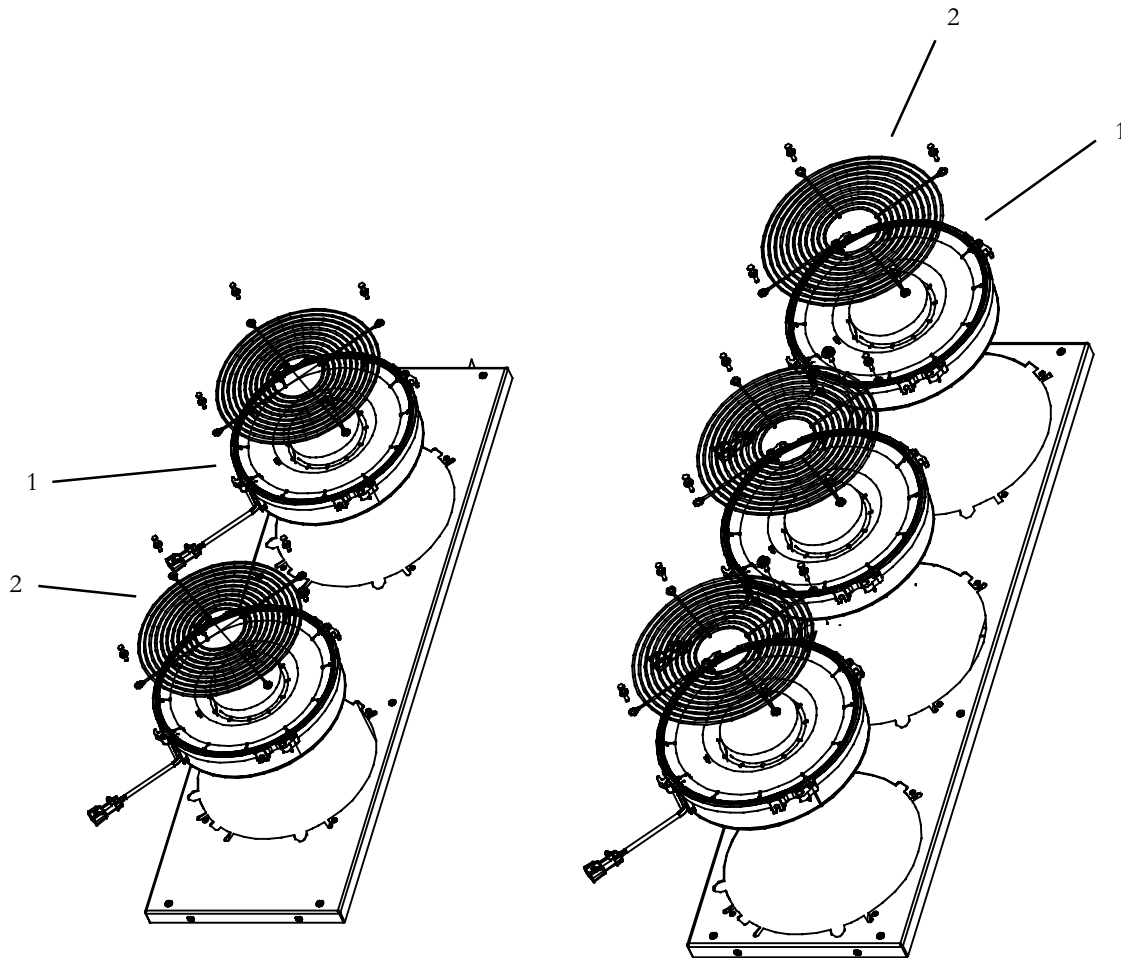
REF: Y19-43005-01

Item	Part Number	Description	Qty
1	42-00243-04	O-Ring, 0.489 ID x 0.070 THK	2
2	40-01124-00	Valve Body, Access Port	2
3	14-00351-00	Core, Schrader Valve	2
4	40-00491-09	Fitting, ORS Ref. Conn. 1" - 14	2
5	40-00491-10	Fitting, ORS Ref. Conn. 13/16" - 16	2
6	42-00243-03	O-Ring, 0.614 ID x 0.070 THK	4
7	Y26-00054-00	Receiver Tank	1
8	Y26-00054-01	Receiver Tank	1
9	14-01032-01	Fusible Plug	2



2.8.3 REFRIGERATION PIPING KIT, K430 DUAL LOOP (Less Filter Driers) - OPTION 3 (Continued)			
10	40-60008-04	Shoulder, ORS #10 x 5/8" OD Tube	2
11	40-60009-04	Hex Nut, ORS #10 x 5/8" OD Tube	2
12	40-62125-08	Adaptor Nut, Female Insert O-Ring	2
13	42-00243-12	O-Ring, 0.426 ID x 0.070 THK	2
14	40-60042-01	Coupling, M8, R134a	2

**2.8.4 FAN & MOTOR KITS, K430 OPTION 1, 2 & 3**

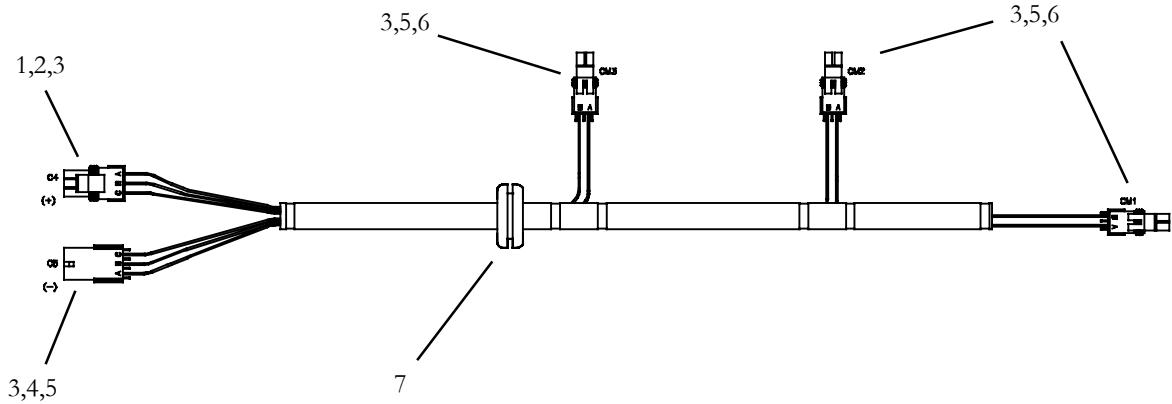


REF: Y19-43003-00, -01, -02 & -03

Item	Part Number	Description	Qty
1	54-00622-01	Fan & Motor Assembly, 12 VDC PM/Brushed- <b>Option 1</b>	3
	54-00622-01	Fan & Motor Assembly, 12 VDC PM/Brushed- <b>Option 2</b>	2
	54-00622-00	Fan & Motor Assembly, 24 VDC PM/Brushed- <b>Option 3</b>	3
	54-00622-00	Fan & Motor Assembly, 24 VDC PM/Brushed- <b>Option 4</b>	2
2	73-67002-00	Grille, Condenser Fan- <b>All Models</b>	A/R

**NOTE: Complete Wire Harnesses are Non-Stock Items. Replace Components are Listed.**

**2.8.5 ELECTRICAL KIT, K430 SINGLE LOOP 3 Fan- Option 1**

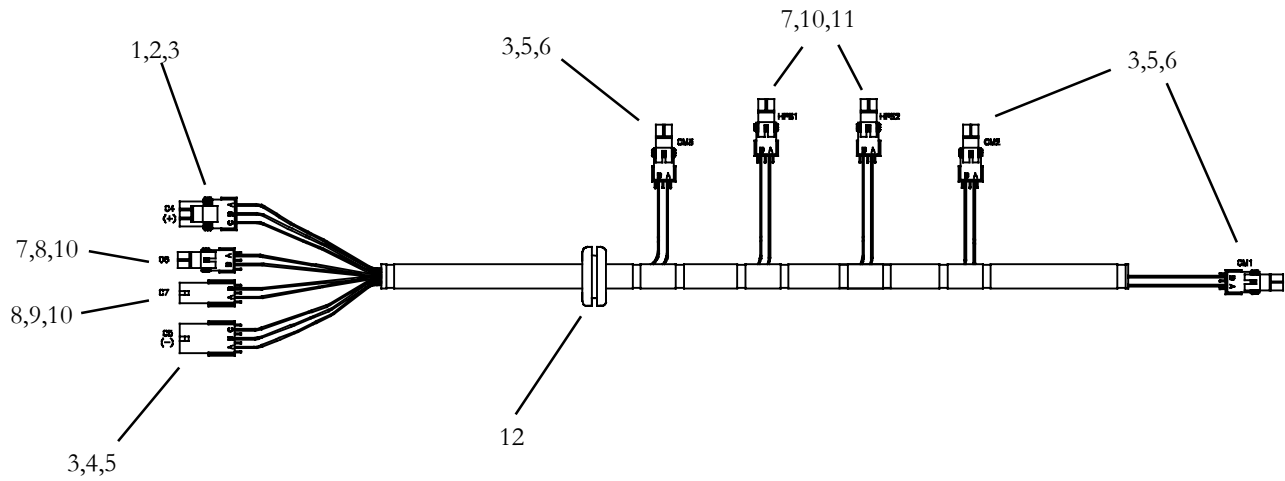


REF: Y19-43006-00

Item	Part Number	Description	Qty
1	22-01585-05	Connector, 3 Position WP (C4)	1
2	22-02393-00	Terminal, Male	3
3	22-02394-00	Seal, Cable	12
4	22-02392-04	Connector, 3 Position WP (C5)	1
5	22-01566-00	Terminal, Female	9
6	22-01585-00	Connector, 2 Position WP (CM1,2 &3)	3
7	58-00065-52	Grommet	1

**NOTE: Complete Wire Harnesses are Non-Stock Items. Replace Components are Listed.**

**2.8.5 ELECTRICAL KIT, K430 DUAL LOOP 3 Fan- Option 2**

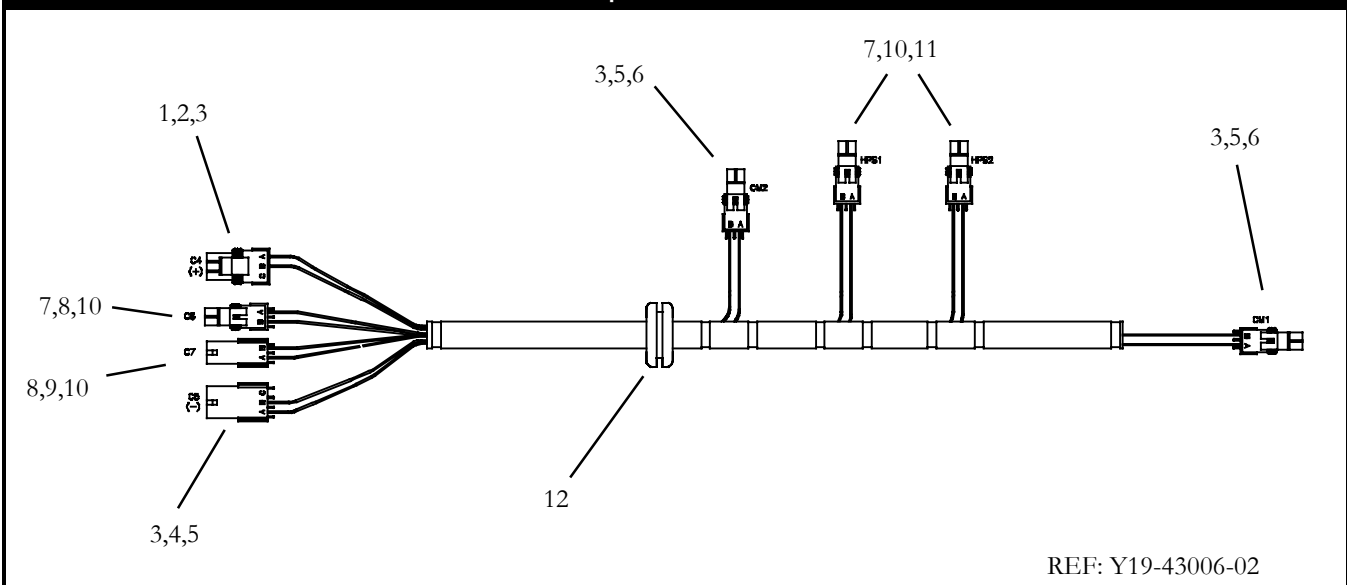


REF: Y19-43006-01

Item	Part Number	Description	Qty
1	22-01585-05	Connector, 3 Position WP (C4)	1
2	22-02393-00	Terminal, Male, 14-16 AWG	3
3	22-02394-00	Seal, Cable	12
4	22-02392-04	Connector, 3 Position WP (C5)	1
5	22-01566-00	Terminal, Female, 14-16 AWG	9
6	22-01585-00	Connector, 2 Position WP (CM1,2 &3)	3
7	22-01585-02	Connector, 2 Position WP (C6, HPS1 & HPS2)	3
8	22-02393-01	Terminal, Male, 18 AWG	4
9	22-02392-01	Connector, 2 Position WP (C7)	1
10	22-02394-02	Seal, Cable	8
11	22-01566-01	Terminal, Female, 18 AWG	4
12	58-00065-52	Grommet	1

**NOTE: Complete Wire Harnesses are Non-Stock Items. Replace Components are Listed.**

**2.8.5 ELECTRICAL KIT, K430 DUAL LOOP 2 Fan- Option 3**

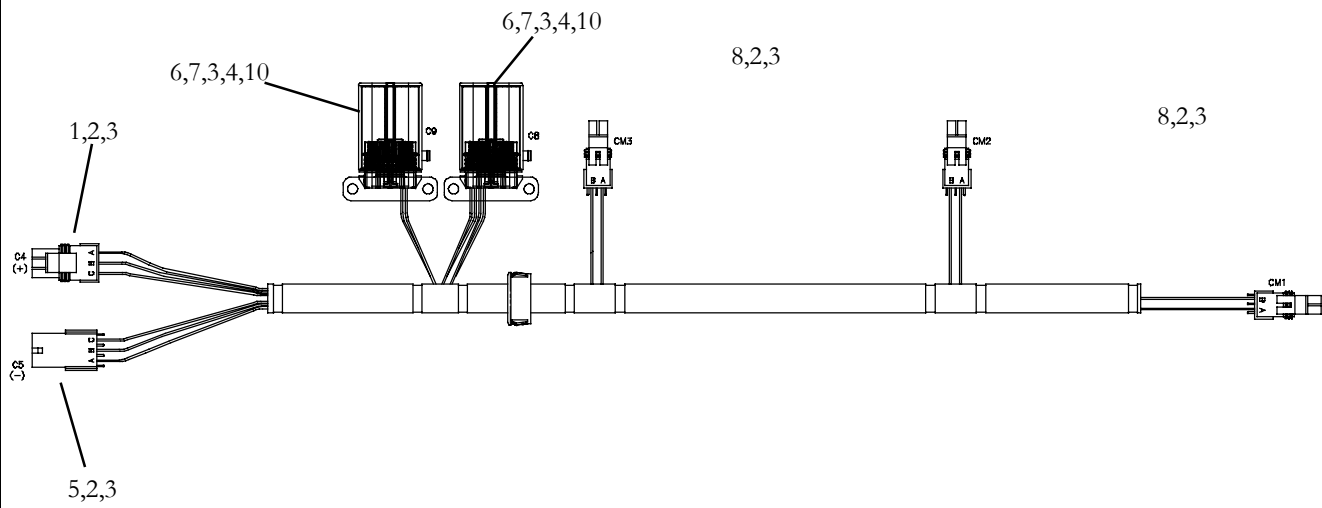


REF: Y19-43006-02

Item	Part Number	Description	Qty
1	22-01585-05	Connector, 3 Position WP (C4)	1
2	22-02393-00	Terminal, Male, 14-16 AWG	2
3	22-02394-00	Seal, Cable	10
4	22-02392-04	Connector, 3 Position WP (C5)	1
5	22-01566-00	Terminal, Female, 14-16 AWG	6
6	22-01585-00	Connector, 2 Position WP (CM1,2)	2
7	22-01585-02	Connector, 2 Position WP (C6, HPS1 & HPS2)	3
8	22-02393-01	Terminal, Male, 18 AWG	4
9	22-02392-01	Connector, 2 Position WP (C7)	1
10	22-02394-02	Seal, Cable	8
11	22-01566-01	Terminal, Female, 18 AWG	4
12	58-00065-52	Grommet	1

**NOTE: Complete Wire Harnesses are Non-Stock Items. Replace Components are Listed.**

**2.8.5 ELECTRICAL KIT, K430 SINGLE LOOP 3 Fan, 24VDC, Circuit Protection Weatherpac Connectors- Option 4**

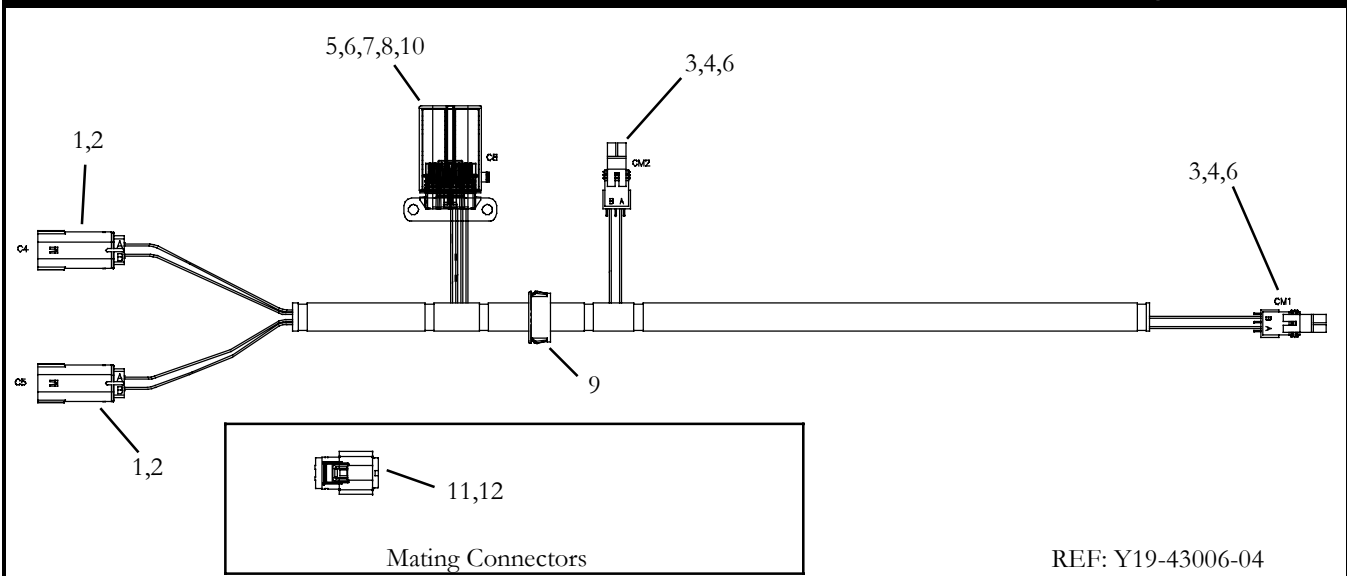


REF: Y19-43006-03

Item	Part Number	Description	Qty
1	22-01585-05	Connector, 3 Position WP (C4)	1
2	22-50078-58H	Terminal, Female, 12 AWG	12
3	22-02394-01	Seal, Cable	18
4	22-50078-55	Plug, 280 Series	A/R
5	22-02392-04	Connector, 3 Position WP (C5)	1
6	Y31-00008-00	Fuse Holder, 8 Cavity	2
7	22-50078-47E	Terminal, Female, 14-16 AWG	6
8	22-01585-00	Connector, 2 Position WP (CM1,2,3 )	3
9	58-00661-07	Grommet	1
10	Y35-00013-04	Circuit Breaker, 15A	3
N.S.	Y30-13000-00	Synthetic Lubricant, Connectors	A/R

**NOTE: Complete Wire Harnesses are Non-Stock Items. Replace Components are Listed.**

**2.8.5 ELECTRICAL KIT, K430 SINGLE LOOP 2 Fan, 12VDC, Circuit Protection Molex Connectors- Option 5**

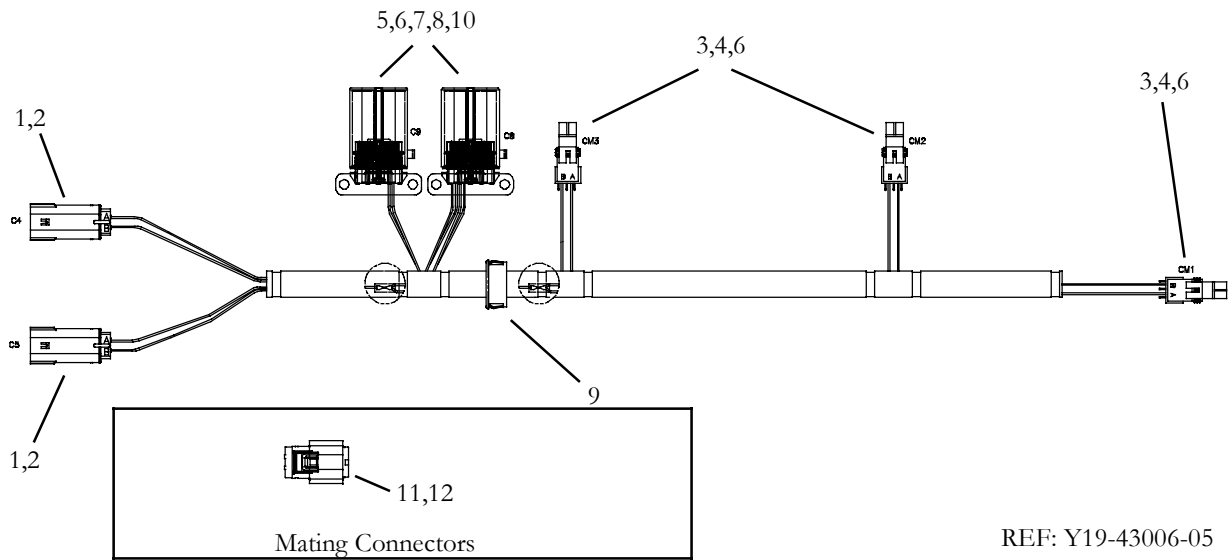


Item	Part Number	Description	Qty
1	22-50099-29	Connector, 2 Position Molex (C4 & C5)	2
2	22-50099-29A	Terminal, Male, Molex, 12 AWG	4
3	22-01585-00	Connector, 2 Position WP (CM1 & CM2 )	2
4	22-50078-58H	Terminal, Female, 12 AWG	4
5	22-50078-47E	Terminal, Female, 14-16 AWG	4
6	22-02394-01	Seal, Cable	12
7	22-50078-55	Plug, 280 Series	A/R
8	Y31-00008-00	Fuse Holder, 8 Cavity	1
9	58-00661-07	Grommet	1
10	Y35-00013-05	Circuit Breaker, 20A	2
11	22-50099-28	Mating Connector, 2 Position Molex, 8 AWG (C4 & C5)	2
12	22-50099-28A	Terminal, Female, Molex, 8 AWG	4
N.S.	Y30-13000-00	Synthetic Lubricant, Connectors	A/R



**NOTE: Complete Wire Harnesses are Non-Stock Items. Replace Components are Listed.**

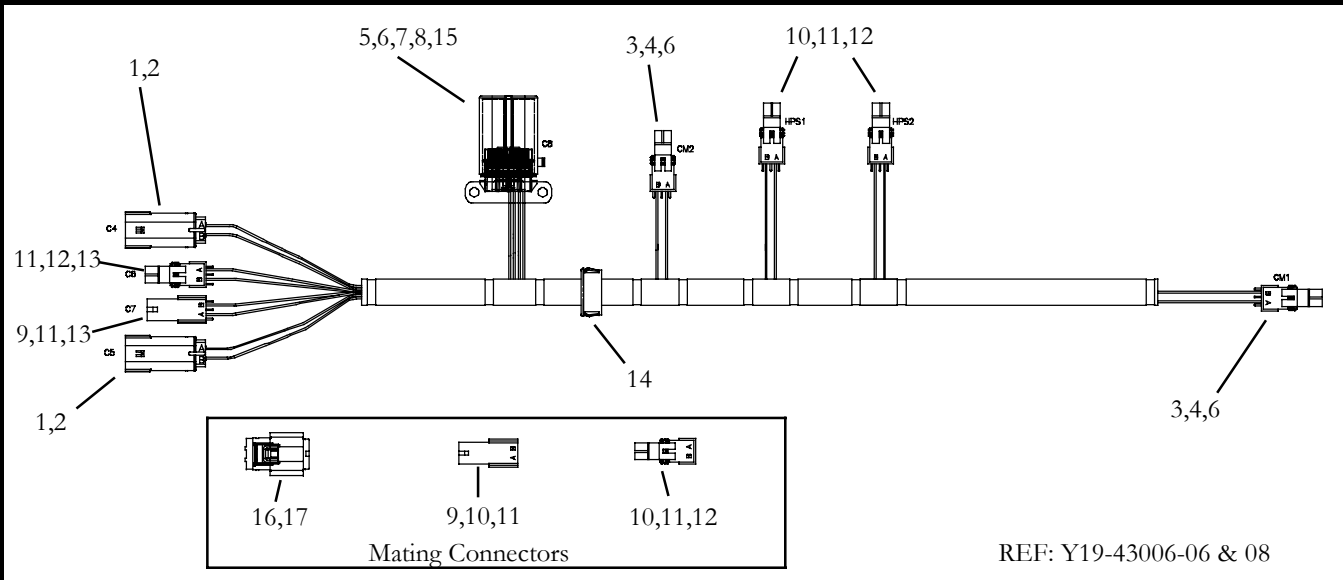
**2.8.5 ELECTRICAL KIT, K430 SINGLE LOOP 3 Fan, 12VDC, Circuit Protection Molex Connectors- Option 6**



Item	Part Number	Description	Qty
1	22-50099-29	Connector, 2 Position Molex (C4 & C5)	2
2	22-50099-29A	Terminal, Male, Molex, 12 AWG	4
3	22-01585-00	Connector, 2 Position WP (CM1,CM2 & CM3 )	3
4	22-50078-58H	Terminal, Female, 12 AWG	6
5	22-50078-47E	Terminal, Female, 14-16 AWG	6
6	22-02394-01	Seal, Cable	12
7	22-50078-55	Plug, 280 Series	A/R
8	Y31-00008-00	Fuse Holder, 8 Cavity	2
9	58-00661-07	Grommet	1
10	Y35-00013-05	Circuit Breaker, 20A	3
11	22-50099-28	Mating Connector, 2 Position Molex, 8 AWG (C4 & C5)	2
12	22-50099-28A	Terminal, Female, Molex, 8 AWG	4
N.S.	Y30-13000-00	Synthetic Lubricant, Connectors	A/R

**NOTE: Complete Wire Harnesses are Non-Stock Items. Replace Components are Listed.**

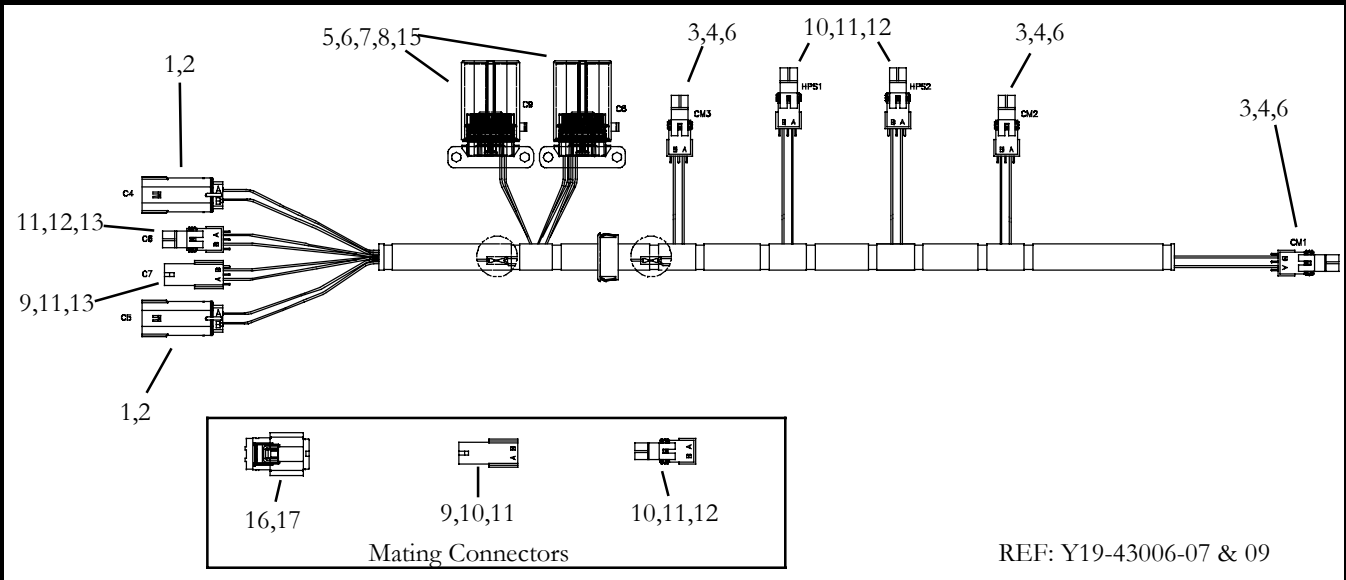
**2.8.5 ELECTRICAL KIT, K430 DUAL LOOP 2 Fan, 24 & 12VDC  
Circuit Protect, Press. Switches, Molex Connectors- Option 7**



Item	Part Number	Description	Qty
1	22-50099-29	Connector, 2 Position Molex (C4 & C5)	2
2	22-50099-29A	Terminal, Male, Molex, 12 AWG	4
3	22-01585-00	Connector, 2 Position WP (CM1 & CM2 )	2
4	22-50078-58H	Terminal, Female, 12 AWG	6
5	22-50078-47E	Terminal, Female, 12 AWG	6
6	22-02394-01	Seal, Cable	8
7	22-50078-55	Plug, 280 Series	A/R
8	Y31-00008-00	Fuse Holder, 8 Cavity	2
9	22-02392-01	Connector, 2 Position Female, WP	2
10	22-01566-01	Terminal, Female, 18 AWG	8
11	22-02394-02	Seal, Cable	8
12	22-01585-02	Connector, 2 Position Male, WP	4
13	22-02393-01	Terminal, Male, 18 AWG	4
14	58-00661-07	Grommet	1
15	Y35-00013-05	Circuit Breaker, 20A <b>(12 VDC Models)</b>	2
	Y35-00013-04	Circuit Breaker, 15A <b>(24 VDC Models)</b>	2
16	22-50099-28	Mating Connector, 2 Position Molex, 8 AWG (C4 & C5)	2
17	22-50099-28A	Terminal, Female, Molex, 8 AWG	4
N.S.	Y30-13000-00	Synthetic Lubricant, Connectors	A/R

**NOTE: Complete Wire Harnesses are Non-Stock Items. Replace Components are Listed.**

**2.8.5 ELECTRICAL KIT, K430 DUAL LOOP 3 Fan, 24 & 12VDC  
Circuit Protect, Press. Switches, Molex Connectors- Option 8**



Item	Part Number	Description	Qty
1	22-50099-29	Connector, 2 Position Molex (C4 & C5)	2
2	22-50099-29A	Terminal, Male, Molex, 12 AWG	4
3	22-01585-00	Connector, 2 Position WP (CM1, CM2 & CM3)	3
4	22-50078-58H	Terminal, Female, 12 AWG	8
5	22-50078-47E	Terminal, Female, 12 AWG	6
6	22-02394-01	Seal, Cable	10
7	22-50078-55	Plug, 280 Series	A/R
8	Y31-00008-00	Fuse Holder, 8 Cavity	2
9	22-02392-01	Connector, 2 Position Female, WP	2
10	22-01566-01	Terminal, Female, 18 AWG	8
11	22-02394-02	Seal, Cable	8
12	22-01585-02	Connector, 2 Position Male, WP	4
13	22-02393-01	Terminal, Male, 18 AWG	4
14	58-00661-07	Grommet	1
15	Y35-00013-05	Circuit Breaker, 20A <b>(12 VDC Models)</b>	3
	Y35-00013-04	Circuit Breaker, 15A <b>(24 VDC Models)</b>	3
16	22-50099-28	Mating Connector, 2 Position Molex, 8 AWG (C4 & C5)	2
17	22-50099-28A	Terminal, Female, Molex, 8 AWG	4
N.S.	Y30-13000-00	Synthetic Lubricant, Connectors	A/R



SECTION 2.9 CONDENSER, 68KR4-101 SERIES

INTRODUCTION

The Mobile Climate Control model 68KR4 series condensers are of lightweight frame construction, designed to be installed on the vehicle roof.

CONFIGURATION IDENTIFICATION

Unit identification information is provided on a plate located inside the condenser. The plate provides the unit model number, the unit serial number and the unit parts identification number (PID). The model number identifies the overall unit configuration while the PID provides information on specific optional equipment and differences in detailed parts. This section provides a description of and a tabular listing of unit model numbers and PID numbers to assist the reader in identifying the equipment supplied and any required service parts.

OPTION DESCRIPTION

Various options may be factory or field equipped to the base unit. These options are listed in the tables and described in the following subparagraphs.

Skins Kit

The top cover is designed to allow for different mounting arrangements on high roof radius or low roof radius configurations.

Refrigeration Kit

The unit may be fitted with a single or dual loop refrigeration system

Electrical Kit

The unit may be fitted with 12 or 24 volt fan motors.

Frame Kit

The condenser may be fitted with one of two different base assemblies. The assemblies differ dependent on single or dual loop refrigerant system configuration.

OPTION LEGEND KR4

<b>Skins Kit 68KR4-101 &amp; 102 Series</b>	
1	Top Cover - Small Radius for High Roof
2	Top Cover - Large Radius for Low Roof
<b>Refrigeration Kit 68KR4-101 Series</b>	
1	Dual Loop
2	Single Loop
3	Dual Loop - Less Filters & Valves
<b>Refrigeration Kit 68KR4-102 Series</b>	
4	Dual Loop
5	Single Loop
6	Dual Loop - Less Filters & Valves
<b>Electrical Kit 68KR4-101 Series</b>	
1	24 VDC W/PM Motors
2	12 VDC W/PM Motors
3	24 VDC W/PM Motors W/Fuse
4	12 VDC W/PM Motors W/Fuse
<b>Electrical Kit 68KR4-102 Series</b>	
5	24 VDC W/PM Motors W/Fuse
6	12 VDC W/PM Motors W/Fuse
<b>Condenser Frame 68KR4-101 &amp; 102 Series</b>	
1	ALL

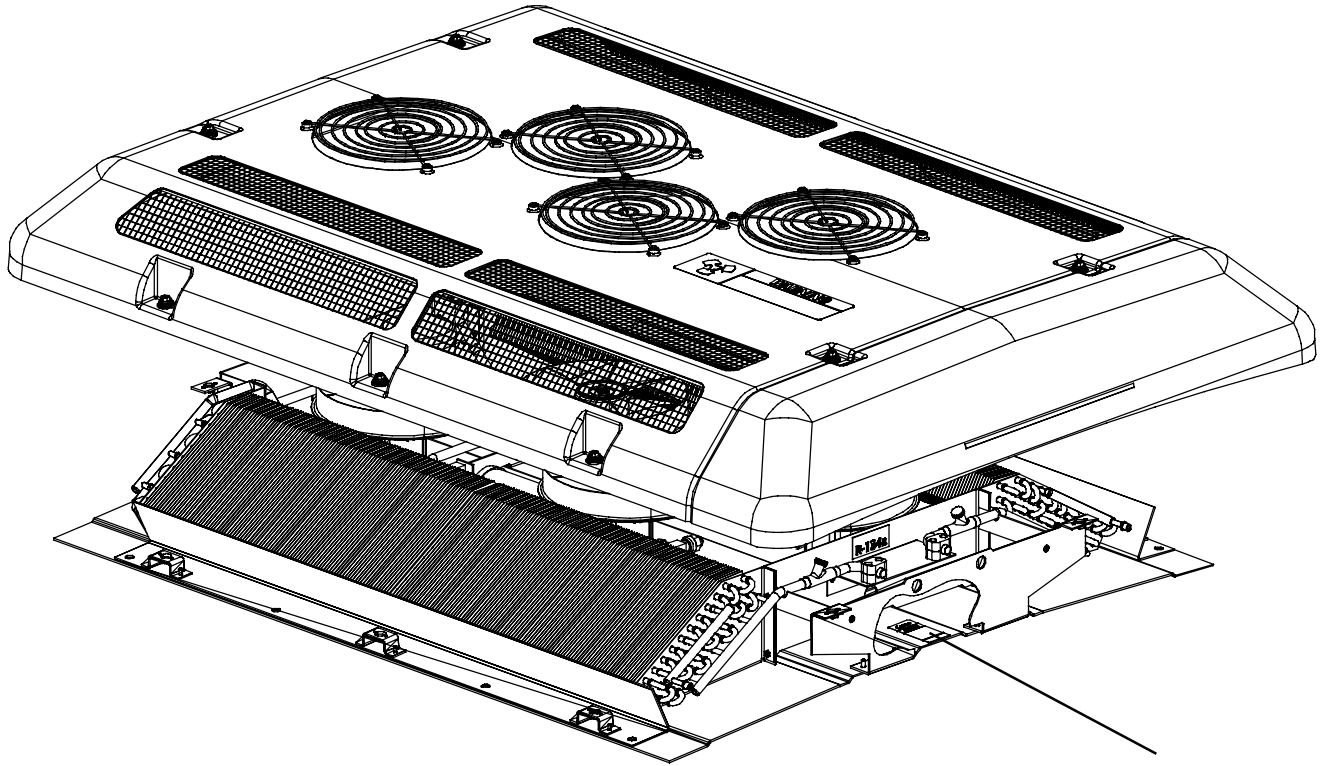


**OPTION TABLE KR4**

<b>MODEL 68KR4</b>	<b>PID Condenser KR4C</b>	<b>Skins Kit</b> (See Section 2.9.2)	<b>Refrigeration Kit</b> (See Section 2.9.3)	<b>Electrical Kit</b> (See Section 2.9.4)	<b>Frame Kit</b> (See Section 2.9.5)
-101	00030	1	1	3	1
-101-1	00031	2	1	1	1
-101-2	00032	1	1	4	1
-101-3	00033	2	1	2	1
-101-4	00034	1	2	3	1
-101-5	00035	2	2	1	1
-101-6	00036	1	2	2	1
-101-7	00037	2	2	2	1
-101-8	00038	1	3	4	1
-101-9	00039	N/A	1	4	1
-102	00040	1	4	5	1
-102-1	00041	2	4	5	1
-102-2	00042	1	4	6	1
-102-3	00043	2	4	6	1
-102-4	00044	1	5	5	1
-102-5	00045	2	5	5	1
-102-6	00046	2	4	6	1
-102-8	00048	1	6	6	1
-102-9	00049	N/A	4	6	1
-102-10	N/A	2	4	6	1



2.9.1 CONDENSER, 68KR4-101 & 68KR4-102 SERIES



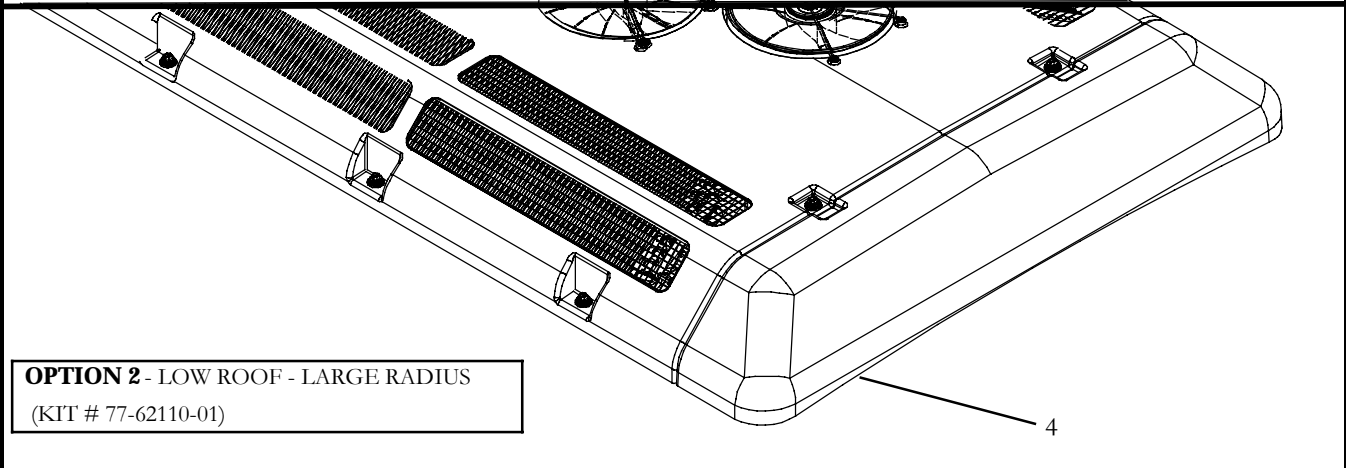
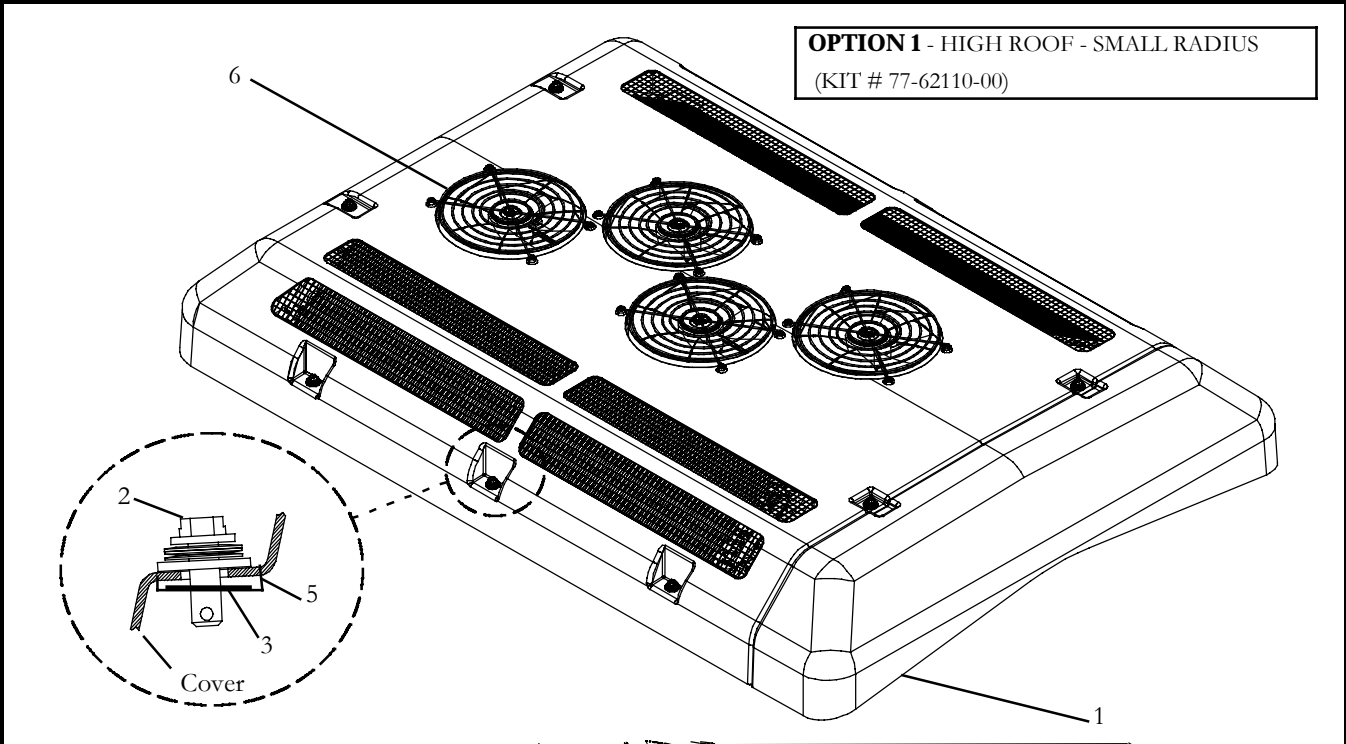
Reference Kit # 77-62111-XX

Used on ALL Models Except KR4-101-9 & KR4-102-9

PID  
Serial/Model-  
Number Plate

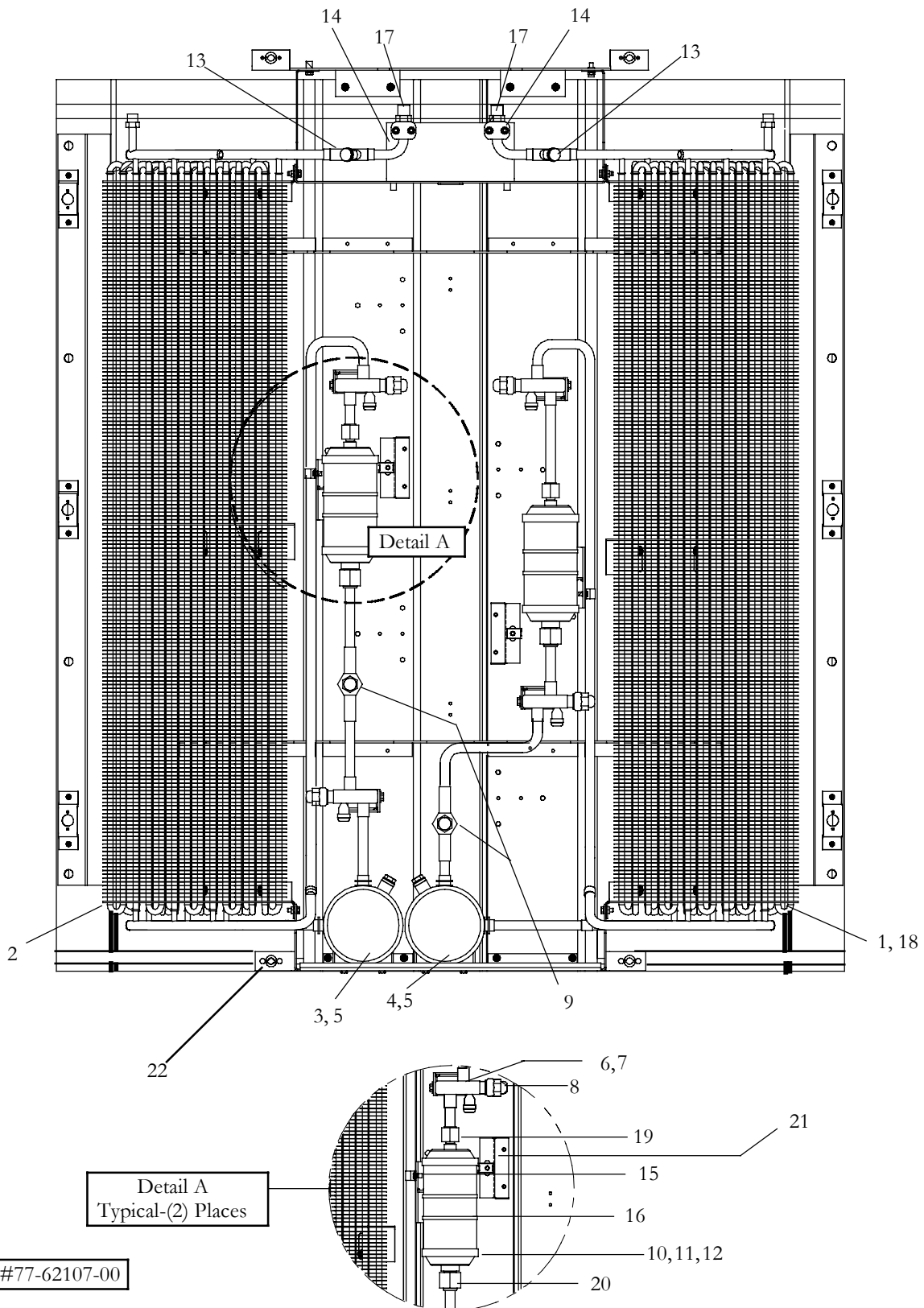


2.9.2 CONDENSER, 68KR4-101 & 68KR4-102 SERIES, SKINS KIT - OPTION 1 & 2



Item	Part Number	Description	Qty
<b>OPTION 1</b>			
1	58-62040-00	Cover, Top, Condenser, KR4, High Roof Radius, With End Cap	1
2	34-62015-00	Stud, Captive, 1/4 Turn Camloc	10
3	34-67025-00	Washer, Special, Retaining	10
<b>OPTION 2</b>			
4	58-62040-02	Cover, Top, Condenser, KR4, Low Roof Radius, With End Cap	1
2	34-62015-00	Stud, Captive, 1/4 Turn Camloc	10
3	34-67025-00	Washer, Special, Retaining	10
<b>COMMON PARTS</b>			
5	68-63648-00	Plate, Reinforcing, Cover	10
6	73-62003-00	Grill, Cover	4

**2.9.3 CONDENSER, 68KR4-101 SERIES, REFRIGERATION KIT, DUAL LOOP - OPTION 1**

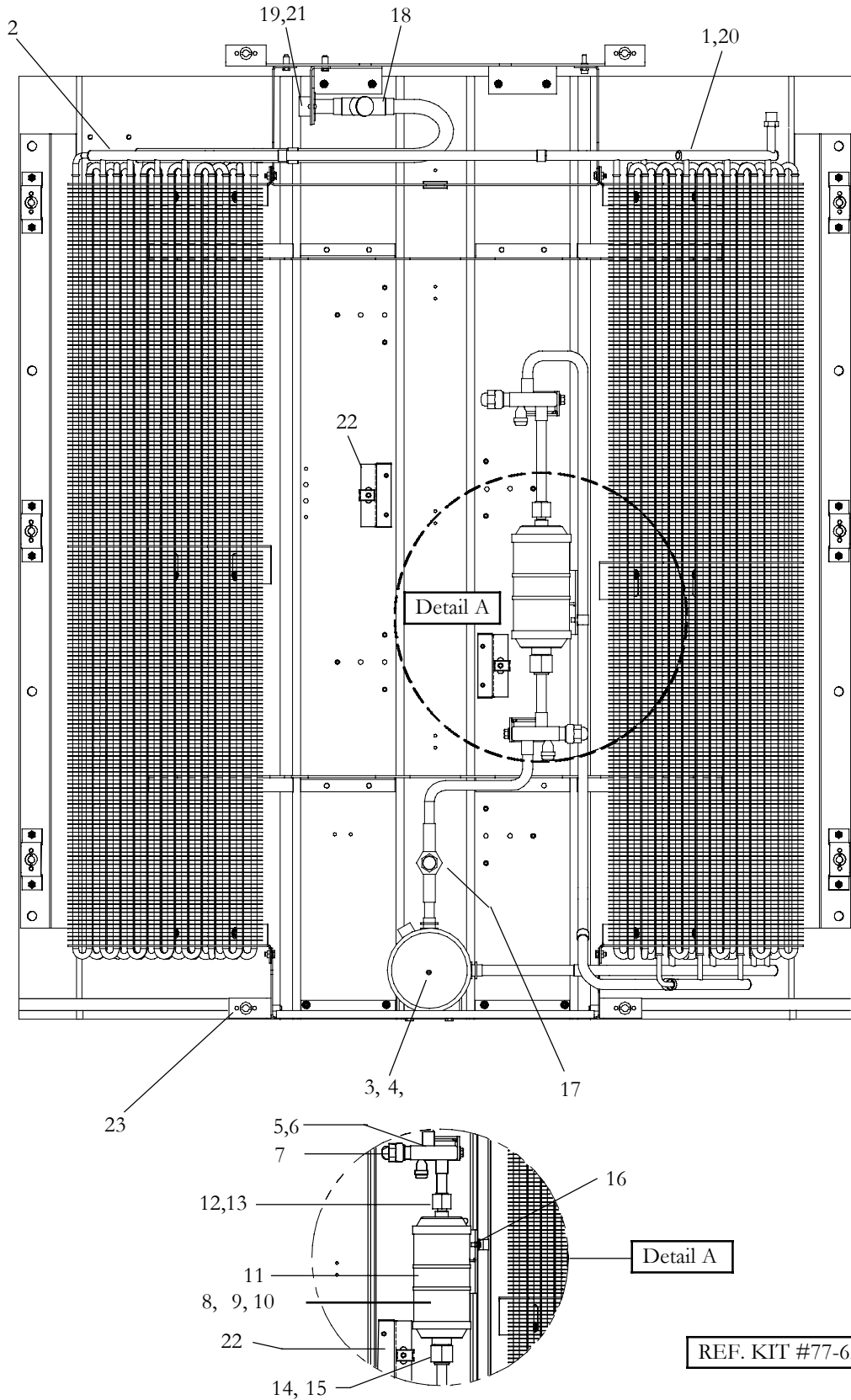






<b>2.9.3 CONDENSER, 68KR4-101 SERIES, REFRIGERANT KIT DUAL LOOP - OPTION 1 - Continued:</b>			
<b>Item</b>	<b>Part Number</b>	<b>Description</b>	<b>Qty</b>
1	08-62038-00	Coil, Condenser, Dual Loop	1
2	08-62038-01	Coil, Condenser, Dual Loop	1
3	65-62003-00	Receiver Assembly, Inlet Right, 5 Inch O.D.	1
4	65-62003-01	Receiver Assembly, Inlet Left, 5 Inch O.D.	1
5	14-01032-01	Plug, Fusible, 3/8 MPT	2
6	40-00501-05	Valve, King, Brass, 5/8 ODF	4
7	14-00351-00	. . . Core, Schrader Valve	2
8	40-00501-50	. . . Cap, King Valve, Service Part	4
9	14-00026-04	Indicator, Liquid & Moisture, 5/8 ODF	2
10	14-00320-00	Filter Drier, 3/4 ORS Inlet X 5/8 Inch ORS Outlet - Includes:	2
11	42-00243-11	.....O-Ring, .739 ID X .070 Thick	1
12	42-00243-03	.....O-Ring, .614 ID X .070 Thick	1
13	14-00029-04	Valve, Check, 5/8 ODF	2
14	44-00285-81	Clamp, Tube, Saddle, 5/8 Inch (With Cover Plate)	2
15	NSI	Clamp, Tube, 0.625 Dia. Cushion	2
16	44-00045-20	Clamp, Hose, Worm Type (3.063 - 4.00 Inches)	4
17	40-62032-01	Nut, Swivel Fitting, Male Insert O-Ring, 7/8-14 X 5/8 ODF	2
18	AC801-414	Gasket, Foam, 3/8 X 1.00 Inch X 25 Foot Roll	1
19	40-00503-03	Collar, Tube - 5/8 ORS, Brass	2
20	40-00503-04	Collar, Tube - 5/8 ORS, Nickel Plated Steel	2
21	AC701-101	Nut, Speed, "J" Type, 1/4-20	2
22	34-62016-00	Plate, Locking	2

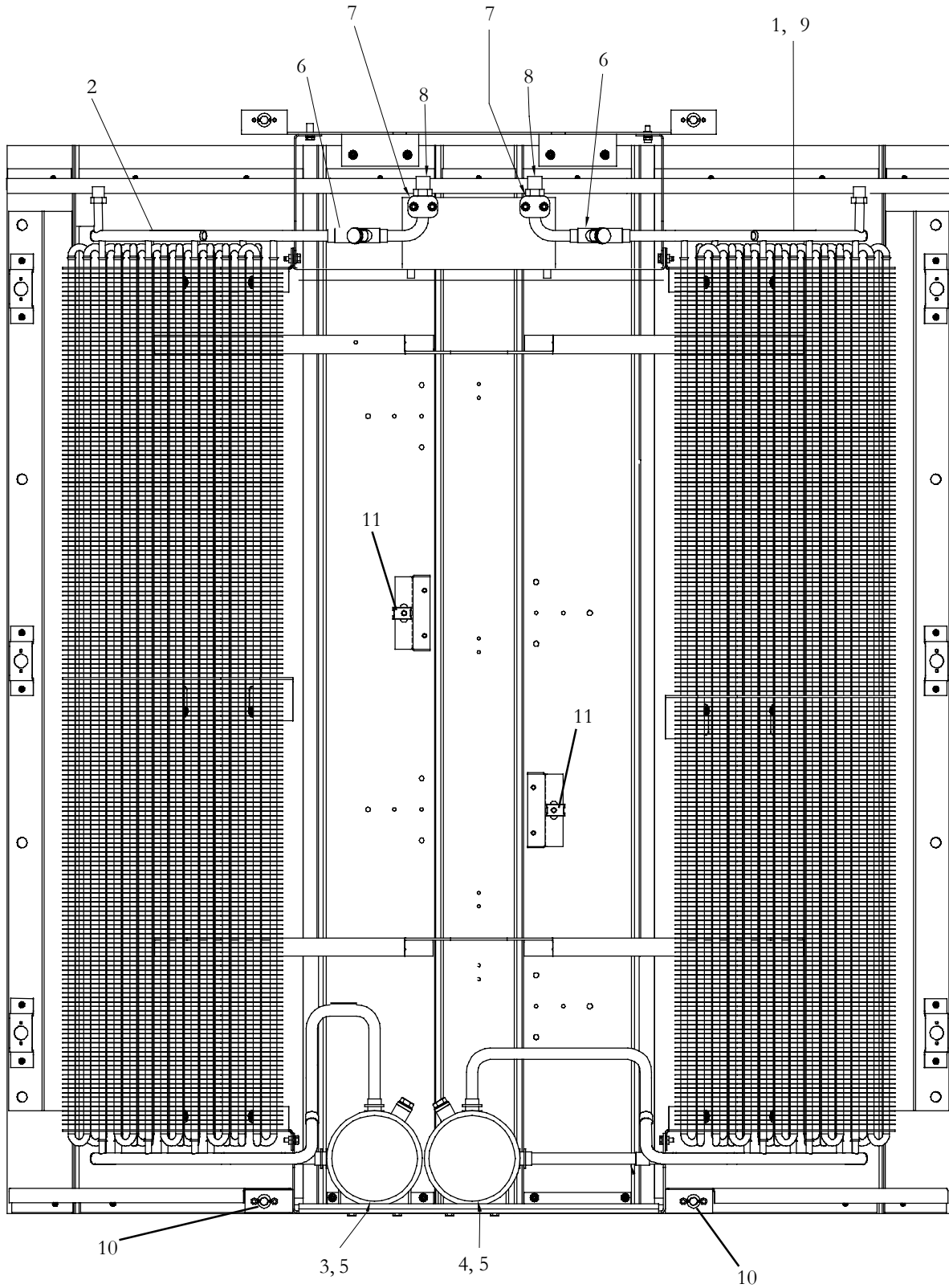
**2.9.3 CONDENSER, 68KR4-101 SERIES, REFRIGERANT KIT, SINGLE LOOP - OPTION 2**





<b>2.9.3 CONDENSER, 68KR4-101 SERIES, REFRIGERANT KIT, SINGLE LOOP - OPTION 2 - Continued:</b>			
<b>Item</b>	<b>Part Number</b>	<b>Description</b>	<b>Qty</b>
1	08-62046-00	Coil Assembly, Condenser, Right Side	1
2	08-62046-01	Coil Assembly, Condenser, Left Side	1
3	65-62003-01	Receiver Assembly, Inlet Left, 5 Inch OD	1
4	14-01032-01	Plug, Fusible, Safety, 3/8 NPTF	1
5	40-00501-05	Valve, King, Brass, 5/8 ODF	2
6	14-00351-00	. . . Core, Schrader Valve	2
7	40-00501-50	. . . Cap, King Valve, Service Part	2
8	14-00320-00	Filter Drier, 3/4 ORS Inlet X 5/8 ORS Outlet (41 Cu. In.) - Includes:	1
9	42-00243-11	...O-Ring, .739 ID X .070 Thick	1
10	42-00243-03	...O-Ring, .614 ID X .070 Thick	1
11	44-00045-20	Clamp, Hose, Worm Type, (3.063 - 4.00 Inches)	2
12	34-06121-04	Nut, Hex, ORS Braze (1-3/16-12 Threads) 12,13	1
13	40-00503-04	Collar, Tube, 5/8 ORS, Nickel Plated Steel	1
14	34-06121-03	Nut, Hex, ORS Braze (1-14 Threads)	1
15	40-00503-03	Collar, Tube - 5/8 ORS, Brass	1
16	NSI	Clamp, Tube, 0.625 Dia. Cushioned	1
17	14-00026-04	Indicator, Liquid & Moisture, 5/8 ODF	1
18	14-00029-09	Valve, Check, 7/8 ODF	1
19	40-00491-00	Fitting, ORS, 7/8 x 1 3/16-12, Brass	1
20	AC801-414	Gasket, Foam, .375 X 1.00 X 25 Foot Roll	1
21	34-06088-00	Nut, Hex, 1-7/16-12, Brass	1
22	AC701-101	Nut, Speed, 'J' Type, 1/4-20	2
23	34-62016-00	Plate, Locking	2

**2.9.3 CONDENSER, 68KR4-101 SERIES, REFRIGERATION KIT, DUAL LOOP - OPTION 3**

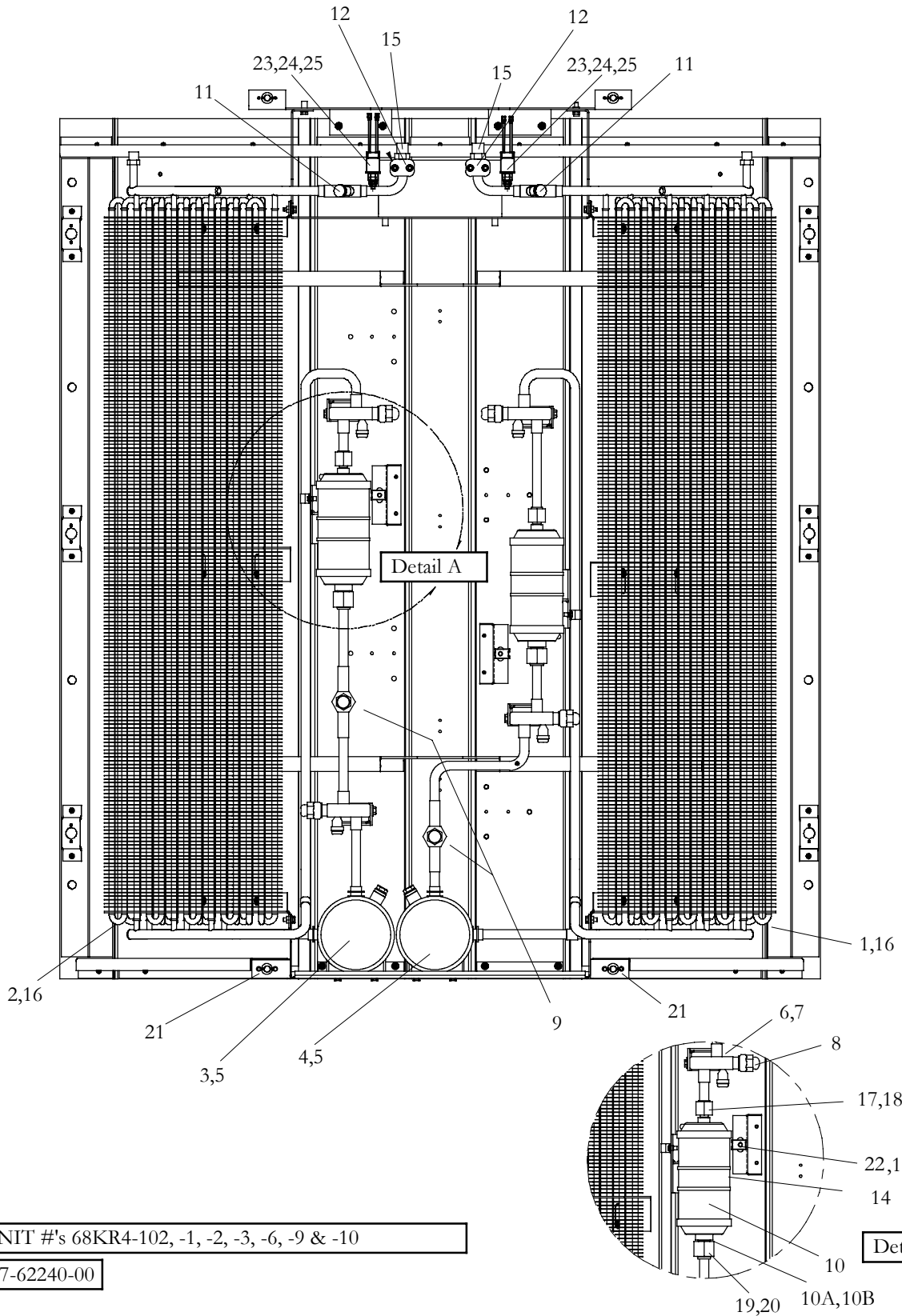


REF. KIT #77-62107-01 (LESS FILTERS & VALVES)



<b>2.9.3 CONDENSER, 68KR4-101 SERIES, REFRIGERANT KIT DUAL LOOP - OPTION 3 - Continued:</b>			
<b>Item</b>	<b>Part Number</b>	<b>Description</b>	<b>Qty</b>
1	08-62038-00	Coil, Condenser, Dual Loop, R.H.	1
2	08-62038-01	Coil, Condenser, Dual Loop, L.H.	1
3	65-62003-00	Receiver Assembly, Inlet Right, 5 Inch O.D.	1
4	65-62003-01	Receiver Assembly, Inlet Left, 5 Inch O.D.	1
5	14-01032-01	Plug, Fusible, 3/8 MPT	2
6	14-00029-04	Valve, Check, 5/8 ODF	2
7	44-00285-81	Clamp, Tube, Saddle, 5/8 Inch (With Cover Plate)	2
8	40-62032-01	Nut, Swivel Fitting, Male Insert O-Ring, 7/8-14 X 5/8 ODF	2
9	AC801-414	Gasket, Foam, 3/8 X 1.00 Inch X 25 Foot Roll	1
10	34-62016-00	Plate, Locking	2
11	AC701-101	Nut, Speed, "J" Type, 1/4-20	2

**2.9.3 CONDENSER, 68KR4-102 SERIES, REFRIGERATION KIT, DUAL LOOP - OPTION 4**



REF. UNIT #'s 68KR4-102, -1, -2, -3, -6, -9 & -10

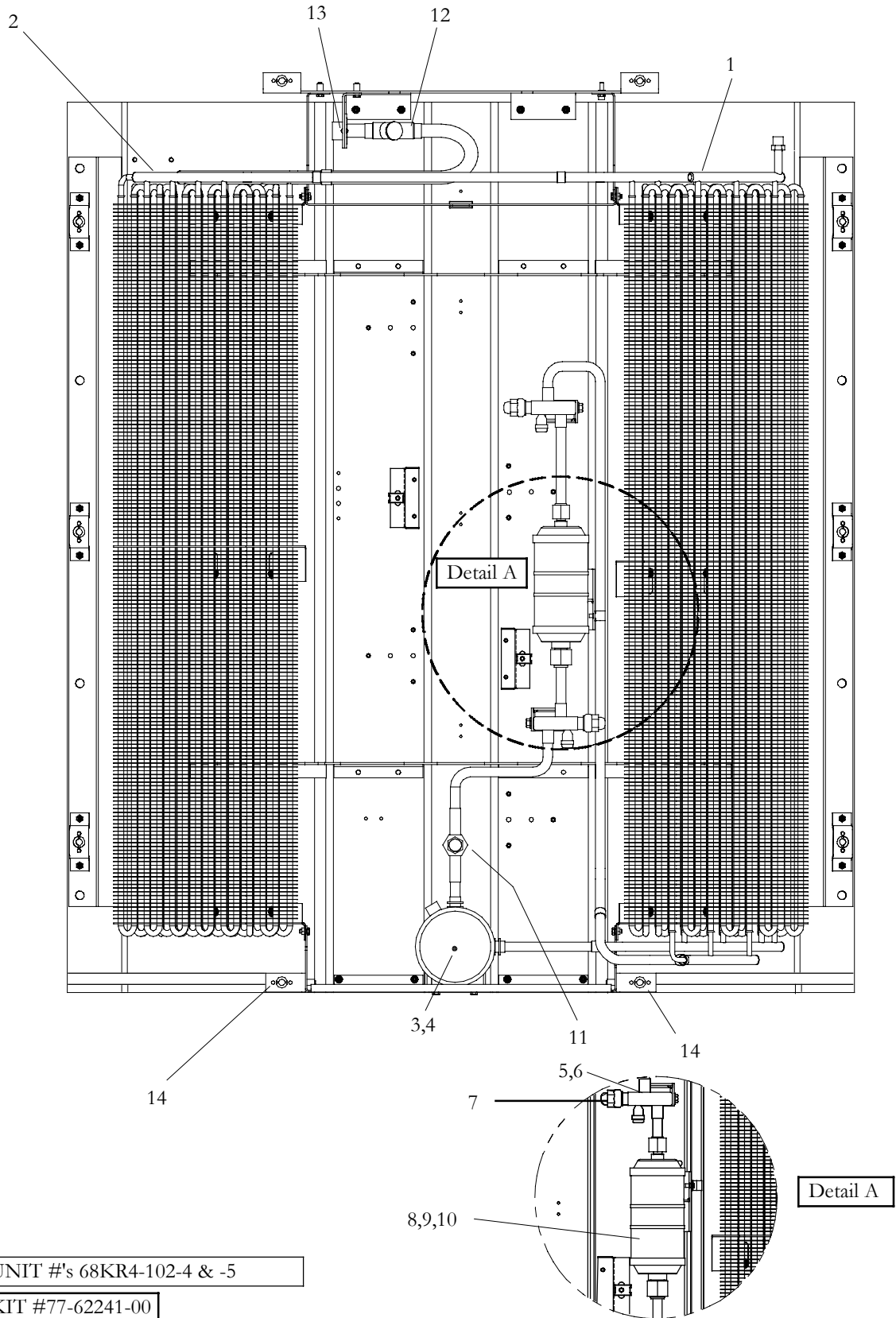
KIT #77-62240-00

Detail A



<b>2.9.3 CONDENSER, 68KR4-102 SERIES, REFRIGERANT KIT DUAL LOOP - OPTION 4 - Continued:</b>			
<b>Item</b>	<b>Part Number</b>	<b>Description</b>	<b>Qty</b>
1	08-62038-00	Coil, Condenser, Dual Loop, R.H.	1
2	08-62038-01	Coil, Condenser, Dual Loop, L.H.	1
3	65-62003-00	Receiver Assembly, Inlet Right, 5 Inch O.D.	1
4	65-62003-01	Receiver Assembly, Inlet Left, 5 Inch O.D.	1
5	14-01032-01	Plug, Fusible, 3/8 MPT	2
6	40-00501-05	Valve, King, Brass, 5/8 ODF	4
7	14-00351-00	. . . Core, Schrader Valve	2
8	40-00501-50	. . . Cap, King Valve, Service Part	4
9	14-00026-04	Indicator, Liquid & Moisture, 5/8 ODF	2
10	14-00320-00	Filter Drier, 3/4 ORS Inlet X 5/8 Inch ORS Outlet - Includes:	2
10A	42-00243-11	.....O-Ring, .739 ID X .070 Thick	1
10B	42-00243-03	.....O-Ring, .614 ID X .070 Thick	1
11	14-00029-04	Valve, Check, 5/8 ODF	2
12	44-00285-81	Clamp, Tube, Saddle, 5/8 Inch (With Cover Plate)	2
13	NSI	Clamp, Tube, 0.625 Dia. Cushion	2
14	44-00045-20	Clamp, Hose, Worm Type (3.063 - 4.00 Inches)	4
15	40-62032-01	Nut, Swivel Fitting, Male Insert O-Ring, 7/8-14 X 5/8 ODF	2
16	AC801-414	Gasket, Foam, 3/8 X 1.00 Inch X 25 Foot Roll	1
17	34-06121-03	Nut, Hex, ORS Braze (1-14 Threads)	2
18	40-00503-03	Collar, Tube - 5/8 ORS, Brass	2
19	34-06121-04	Nut, Hex, ORS Braze (1-3/16-12 Threads)	2
20	40-00503-04	Collar, Tube - 5/8 ORS, Nickel Plated Steel	2
21	34-62016-00	Plate, Locking	2
22	AC701-101	Nut, Speed, "J" Type, 1/4-20	2
23	40-01124-00	Valve Body	2
24	14-00351-00	Core, Schrader	2
25	12-00299-23	Switch, High Pressure	2

**2.9.3 CONDENSER, 68KR4-102 SERIES, REFRIGERANT KIT, SINGLE LOOP - OPTION 5**



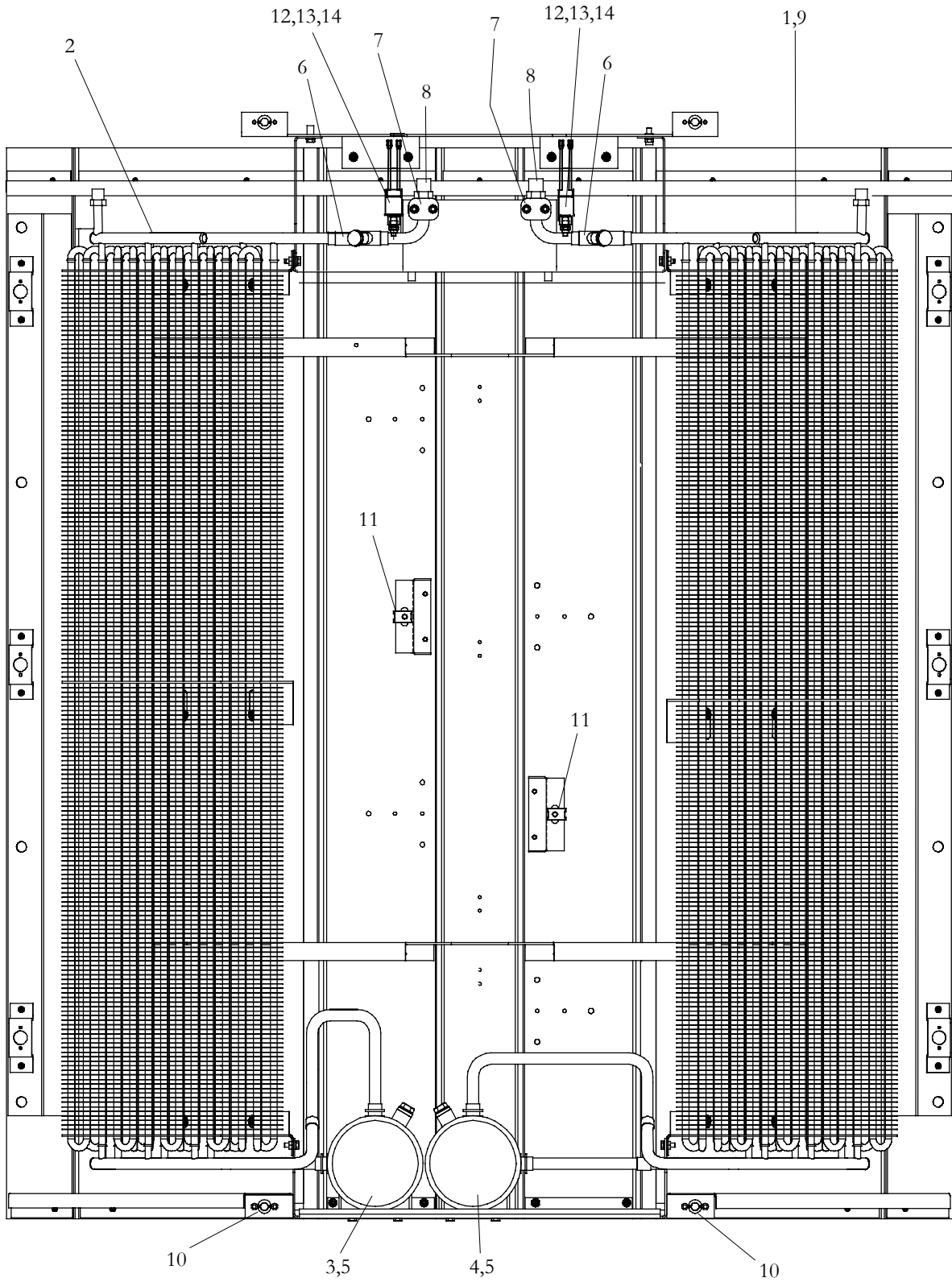
REF. UNIT #'s 68KR4-102-4 & -5  
 REF. KIT #77-62241-00





<b>2.9.3 CONDENSER, 68KR4-102 SERIES, REFRIGERANT KIT, SINGLE LOOP - OPTION 5 - Continued:</b>			
<b>Item</b>	<b>Part Number</b>	<b>Description</b>	<b>Qty</b>
1	08-62046-00	Coil Assembly, Condenser, Single Loop	1
2	08-62046-01	Coil Assembly, Condenser, Single Loop	1
3	65-62003-01	Receiver Assembly, Inlet Left, 5 Inch OD	1
4	14-01032-01	Plug, Fusible, Safety, 3/8 NPTF	1
5	40-00501-05	Valve, King, Brass, 5/8 ODF	2
6	14-00351-00	. . . Core, Schrader Valve	2
7	40-00501-50	. . . Cap, King Valve, Service Part	2
8	14-00320-00	Filter Drier, 3/4 ORS Inlet X 5/8 ORS Outlet (41 Cu. In.) - Includes:	1
9	42-00243-11	...O-Ring, .739 ID X .070 Thick	1
10	42-00243-03	...O-Ring, .614 ID X .070 Thick	1
11	14-00026-04	Indicator, Liquid & Moisture, 5/8 ODF	1
12	14-00029-09	Valve, Check, 7/8 ODF	1
13	34-06088-00	Nut, Hex, 1-7/16-12, Brass	1
14	34-62016-00	Plate, Locking	2

**2.9.3 CONDENSER, 68KR4-102 SERIES, REFRIGERATION KIT, DUAL LOOP - OPTION 6**



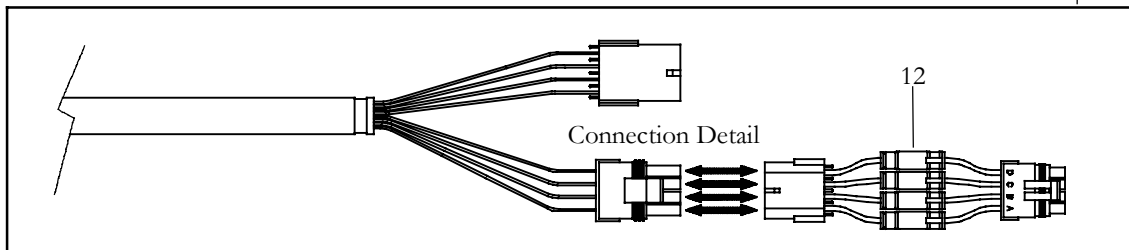
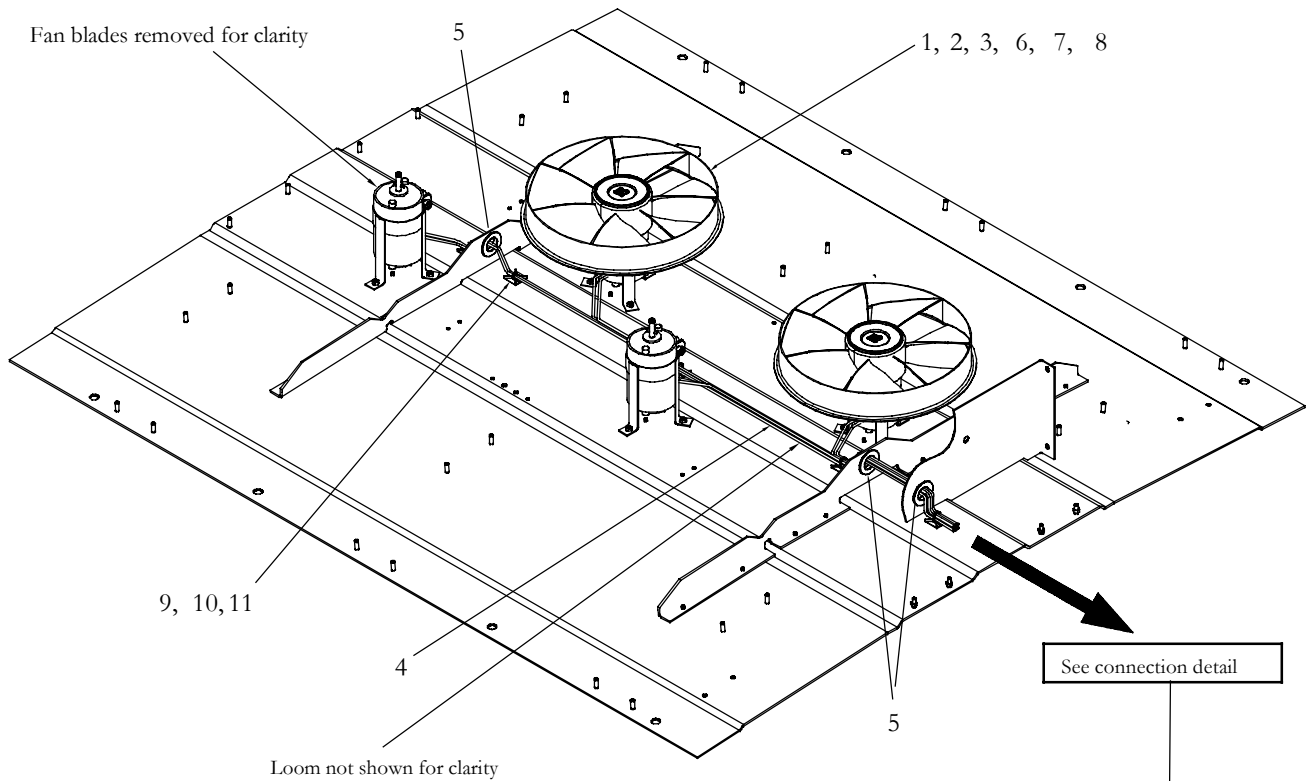
REF. KIT #77-62107-01 (LESS FILTERS & VALVES)



<b>2.9.3 CONDENSER, 68KR4-102 SERIES, REFRIGERANT KIT DUAL LOOP - OPTION 6 - Continued:</b>			
<b>Item</b>	<b>Part Number</b>	<b>Description</b>	<b>Qty</b>
1	08-62038-00	Coil, Condenser, Dual Loop, R.H.	1
2	08-62038-01	Coil, Condenser, Dual Loop, L.H.	1
3	65-62003-00	Receiver Assembly, Inlet Right, 5 Inch O.D.	1
4	65-62003-01	Receiver Assembly, Inlet Left, 5 Inch O.D.	1
5	14-01032-01	Plug, Fusible, 3/8 MPT	2
6	14-00029-04	Valve, Check, 5/8 ODF	2
7	44-00285-81	Clamp, Tube, Saddle, 5/8 Inch (With Cover Plate)	2
8	40-62032-01	Nut, Swivel Fitting, Male Insert O-Ring, 7/8-14 X 5/8 ODF	2
9	AC801-414	Gasket, Foam, 3/8 X 1.00 Inch X 25 Foot Roll	1
10	34-62016-00	Plate, Locking	2
11	AC701-101	Nut, Speed, "J" Type, 1/4-20	2
12	40-01124-00	Valve Body	2
13	14-00351-00	Core, Schrader	2
14	12-00299-23	Pressure Switch, High	2



2.9.4 CONDENSER, 68KR4-101 SERIES, ELECTRICAL KIT - OPTION 1, 2, 3 & 4



KIT #77-62109-00 (24VDC)  
KIT #77-62109-01 (12VDC)

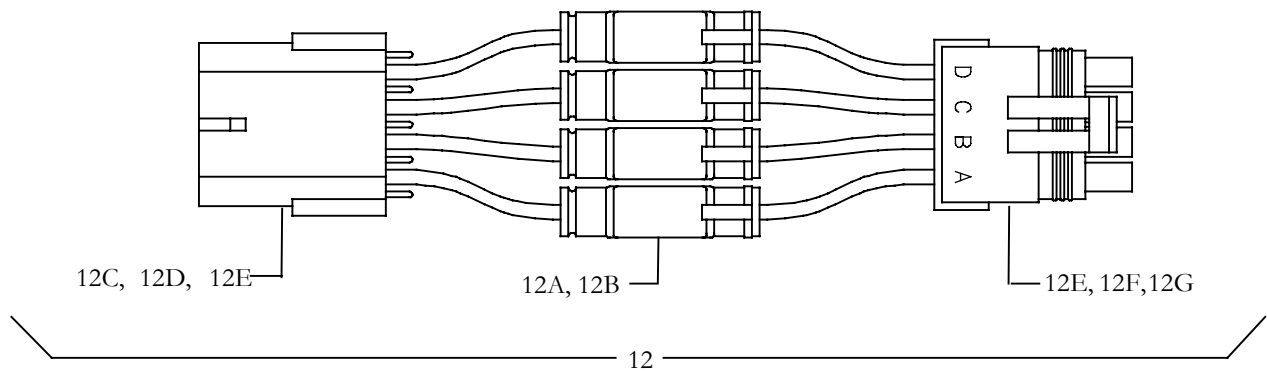
KIT #77-62109-02 (24VDC W/FUSE)  
KIT #77-62109-03 (12VDC W/FUSE)

Item	Part Number	Description	Qty
<b>OPTION 1</b>			
1	54-00583-00	Motor, 24 VDC	4
<b>OPTION 2</b>			
1	54-00583-01	Motor, 12 VDC	4
<b>OPTION 3</b>			
1	54-00583-00	Motor, 24 VDC	4
12	22-62243-01	Fuse Assembly, 10 Amp, 24VDC	1
<b>OPTION 4</b>			
1	54-00583-01	Motor, 12 VDC	4
12	22-62243-00	Fuse Assembly, 15 Amp, 12VDC	1



**2.9.4 COMMON PARTS, 68KR4-101 SERIES, ELECTRICAL KIT - OPTION 1 THRU 4 - Continued:**

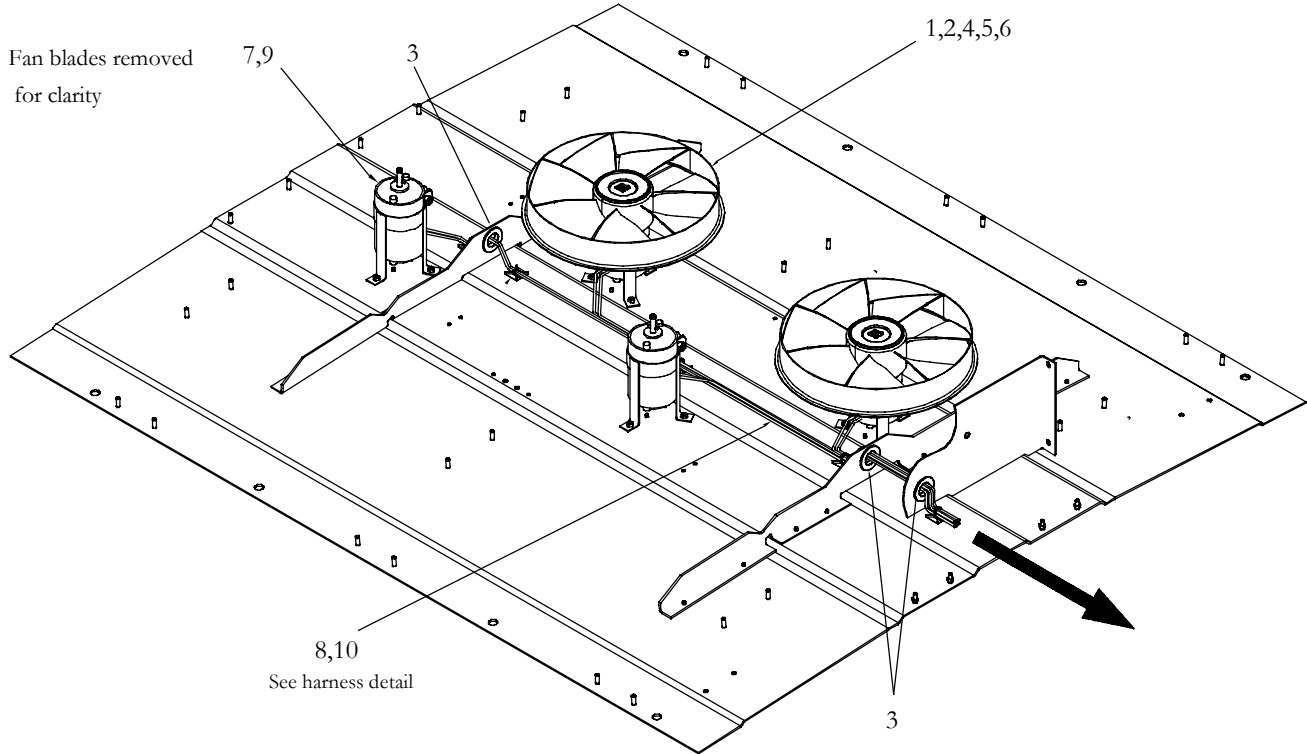
Item	Part Number	Description	Qty
2	38-00566-00	Fan, Condenser	4
3	34-62017-00	Clip, Retaining, Condenser Fan	4
4	22-62153-00	Wire Harness, KR4, DC Motors	1
5	58-00065-51	Grommet, 7/8 I.D.	3
6	22-01585-00	Connector, Male, 2 Pin Weatherpack	4
7	22-02393-01	Terminal, Male, 18-20 AWG	8
8	22-02394-01	Seal, Cable	8
9	66U1-3882	Wire Tie, Self-Locking, 7 Inches, Black	5
10	58-00079-02	Sta-Strap, 0-1.75 Inch Diameter Cable	5
11	34-00928-09	Rivet, Blind, .156 Diameter	10



Item	Part Number	Description	Qty
12	22-62243-00	Fuse Assembly, 15 Amp, 12VDC - Includes:	1
12A	22-02336-24	.....Fuse, 15 Amps, Blue	4
12B	22-02338-03	.....Holder, Fuse	4
12C	22-02392-03	.....Connector, Female, , 4 Pin, Black	1
12D	22-01566-00	.....Terminal, Female (14-16 AWG)	4
12E	22-02394-00	.....Seal, Cable, Gray (.11-.14 Cable OD)	8
12F	22-01585-04	.....Connector, Male, 4 Pin, Black	1
12G	22-02393-00	.....Terminal, Male (14-16 AWG)	4
12	22-62243-01	Fuse Assembly, 10 Amp, 24VDC - Includes:	1
12A	22-02336-23	.....Fuse, 10 Amps, Red	4
12B	22-02338-03	.....Holder, Fuse	4
12C	22-02392-03	.....Connector, Female, , 4 Pin, Black	1
12D	22-01566-00	.....Terminal, Female (14-16 AWG)	4
12E	22-02394-00	.....Seal, Cable, Gray (.11-.14 Cable OD)	8
12F	22-01585-04	.....Connector, Male, 4 Pin, Black	1
12G	22-02393-00	.....Terminal, Male (14-16 AWG)	4
N/S	02-00067-01	Sealant, Caulking, Black (10.3 Ounce Tube)	1



**2.9.4 CONDENSER, 68KR4-102 SERIES, ELECTRICAL KIT - OPTIONS 5 & 6**



OPTION 5: KIT #77-62109-02 (24VDC) Used On Models 68KR4-102, -1, -4 & -5

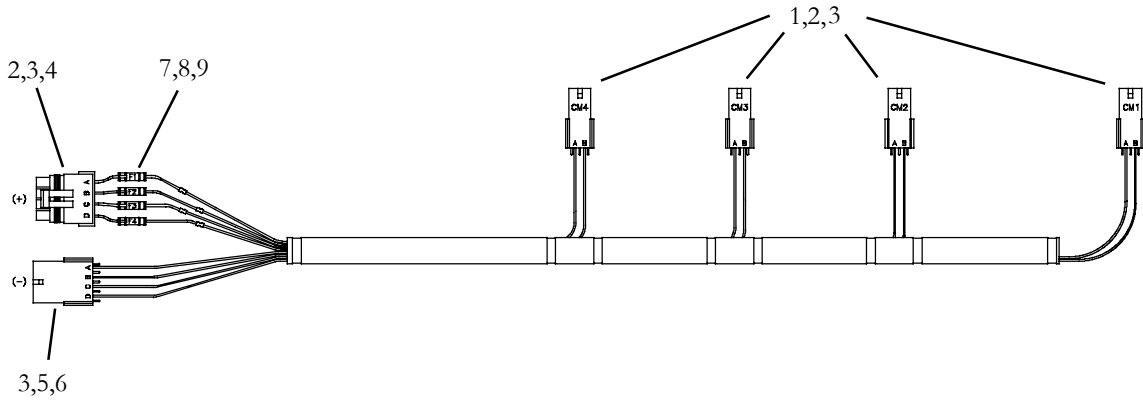
OPTION 6: KIT #77-62109-03 (12VDC) Used On Models 68KR4-102-2, -3, -6, -8, -9 & -10

**2.9.4 COMMON PARTS, 68KR4-102 SERIES, ELECTRICAL KIT**

Item	Part Number	Description	Qty
1	38-00566-00	Fan, Condenser	4
2	34-62017-00	Clip, Retaining, Condenser Fan	4
3	58-00065-51	Grommet, 7/8 I.D.	3
4	22-01585-00	Connector, Male, 2 Pin Weatherpack	4
5	22-02393-01	Terminal, Male, 18-20 AWG	8
6	22-02394-01	Seal, Cable	8
<b>OPTION 5</b>			
7	54-00583-00	Motor, 24 VDC	4
8	22-62351-01	Wire Harness, 24 VDC Motors	1
<b>OPTION 6</b>			
9	54-00583-01	Motor, 12 VDC	4
10	22-62351-00	Wire Harness, 12 VDC Motors	1

**NOTE: Complete Wire Harnesses are Non-Stock Items. Replace Components are Listed.**

**2.9.4 CONDENSER, 68KR4-102 SERIES HARNESS DETAIL, OPTIONS 5 & 6**



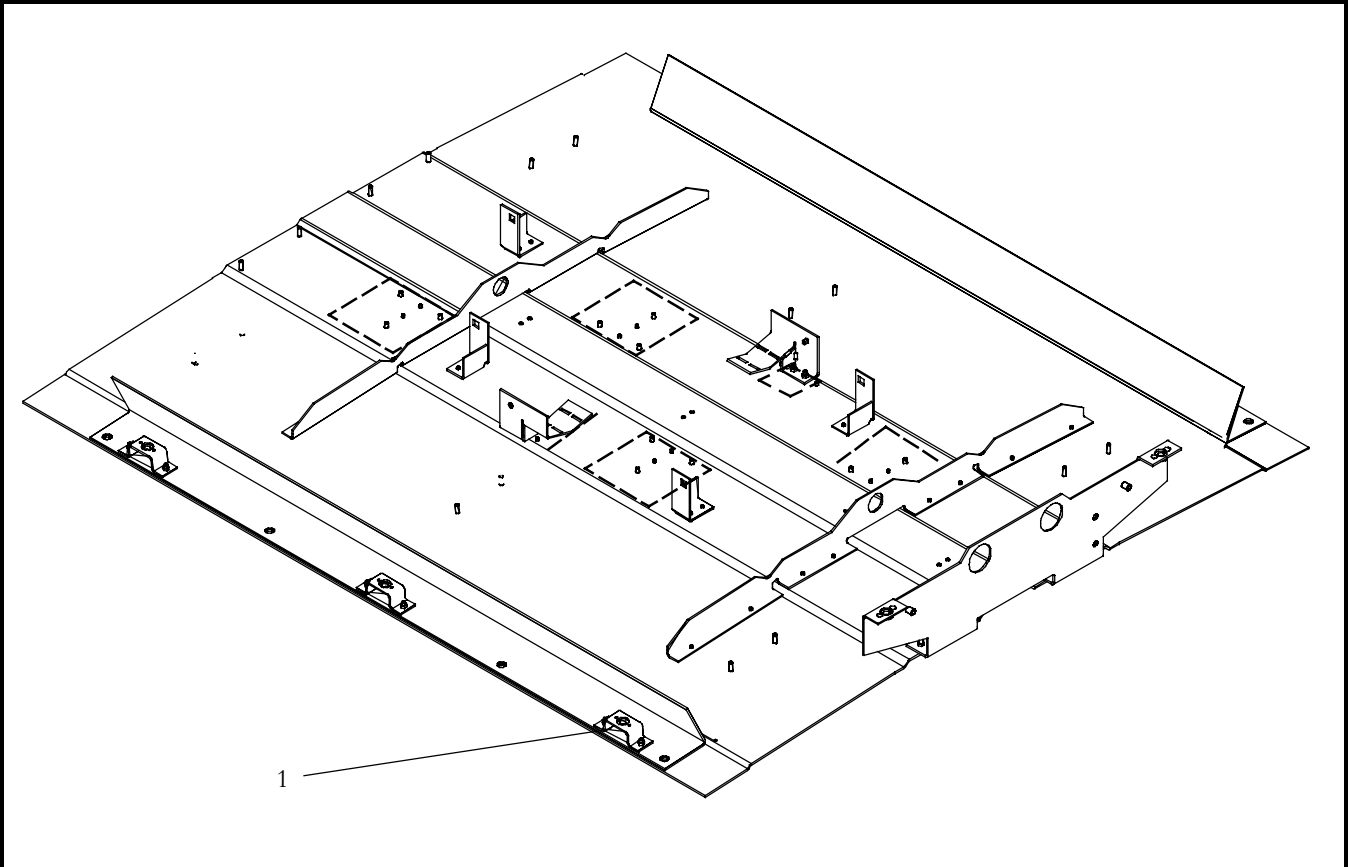
Harness: Option 5 (24VDC) Used On Models 68KR4-102, -1, -4 & -5

Harness: Option 6 (12VDC) Used On Models 68KR4-102-2, -3, -6, -8, -9 & -10

Item	Part Number	Description	Qty
1	22-02392-00	Connector, Female, Weatherpac (2 position)	4
2	22-01566-00	Terminal, Female (14-16 AWG)	12
3	22-02394-00	Seal, Cable (Gray)	16
4	22-01585-04	Connector, Weatherpac (4 position)	1
5	22-02393-00	Terminal, Male (14-16 AWG)	4
6	22-02392-03	Connector, Weatherpac (4 position)	1
7	22-02338-03	Holder, Fuse	4
8	22-02336-24	Fuse, 15 A (24 VDC) <b>Option 5 Only</b>	4
9	22-02336-25	Fuse, 20 A (12 VDC) <b>Option 6 Only</b>	4



2.9.5 68KR4-101 SERIES, FRAME KIT, OPTION 1 (ALL)

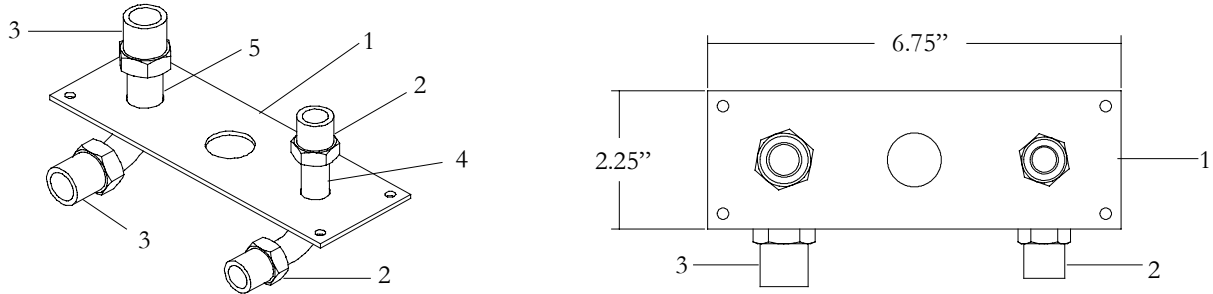


Item	Part Number	Description	Qty
1	34-62016-00	Plate, Locking	8



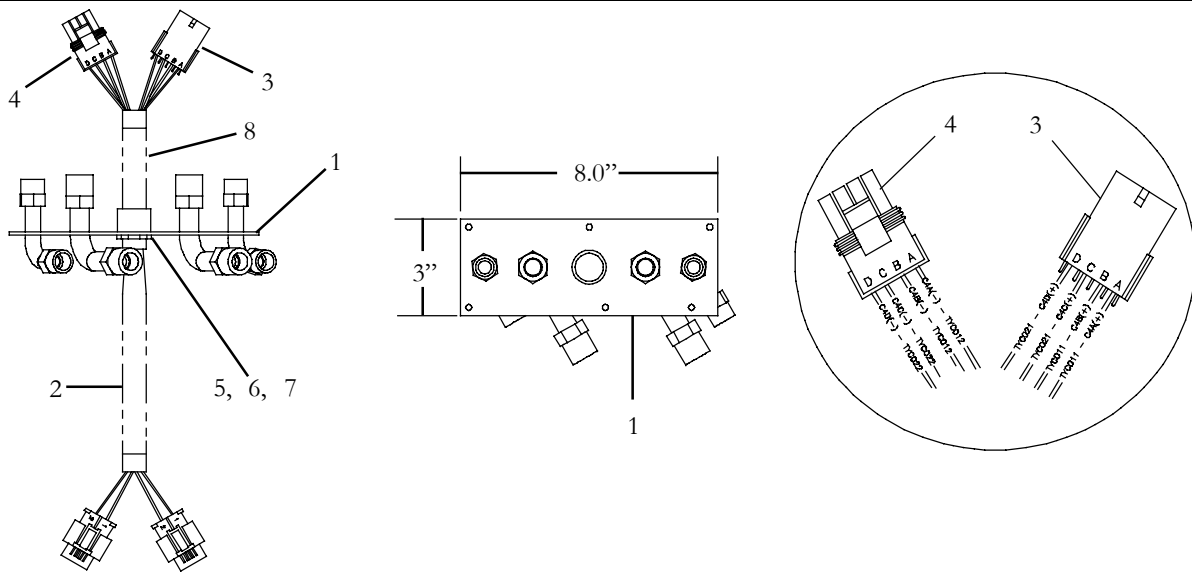


**2.9.6 KR4 FEED-THROUGH PLATE ASSEMBLY (81-62151-00)**



Item	Part Number	Description	Qty
1	68-63691-00	Plate Assembly (6.75 x 2.25 Inches)	1
2	40-62032-02	Nut, 3/4-16 UNF x 1/2 OD	2
3	40-62032-01	Nut, 7/8-14 UNF x 5/8 OD	2
4	56-62037-01	Tube, 1/2 OD	1
5	56-62311-00	Tube, 5/8 OD	1

**2.9.7 KR4 BULKHEAD FEED-THROUGH ASSEMBLY (79-62105-00 REFERENCE ONLY)**



Item	Part Number	Description	Qty
1	81-62147-00	Plate Assembly, Feed-Through Bulkhead, KR4 (8 x 3 Inches)	1
2	22-62249-00	Harness, Interface, KR4 - Includes:	1
2A	22-50098-71	.....Connector, Female, 2 Pin, Black	2
2B	22-02393-00	.....Terminal, Male (14-16 AWG)	4
2C	22-01566-00	.....Terminal, Female (14-16 AWG)	4
2D	22-02394-00	.....Seal, Cable, Gray (.11-.14 Cable OD)	8
3	22-02392-03	Connector, Female, 4 Pin, Black	1
4	22-01585-04	Connector, Male, 4 Pin, Black	1
5	58-62172-00	Adapter, Male Terminal, 1/2. Gray	1
6	22-00118-02	Nut, Lock, 1/2 Inch, Conduit	1
7	AC801-203	O-Ring	1
8	58-00849-11	Tubing, Split, Corrugated, 5/8 Inch x 7.50 Feet Long	1

**SECTION 2.10 CONDENSER, 68KR2/3-101 SERIES**
**OPTION TABLE KR2**
**INTRODUCTION**

The Mobile Climate Control model 68KR2/3 series condensers are of lightweight frame construction, designed to be installed on the vehicle roof.

**CONFIGURATION IDENTIFICATION**

Unit identification information is provided on a plate located inside the condenser. The plate provides the unit model number, the unit serial number and the unit parts identification number (PID). The model number identifies the overall unit configuration while the PID provides information on specific optional equipment and differences in detailed parts.

This section provides a description of and a tabular listing of unit model numbers and PID numbers to assist the reader in identifying the equipment supplied and any required service parts.

**OPTION DESCRIPTION**

Various options may be factory or field equipped to the base unit. These options are listed in the tables and described in the following subparagraphs.

**Cover Kit**

The top cover is designed to allow for different mounting arrangements on high roof radius, low roof radius and flat roof configurations.

**Electrical Kit**

The unit may be fitted with 12 or 24 volt fan motors, or with, or without in-line fuse assemblies.

**OPTION LEGEND KR2/3**

<b>Cover Kit KR2</b>	
1	Top Cover - KR2 Flat Roof Radius
2	Top Cover - KR2 High Roof Radius
<b>Cover Kit KR3</b>	
1	Top Cover - KR3 Flat Roof Radius
2	Top Cover - KR3 High Roof Radius
3	Top Cover - KR3 Intermediate Roof Radius
<b>Electrical Kit</b>	
1	12 VDC W/PM Motors
2	24 VDC W/PM Motors
3	12 VDC W/PM Motors & In-Line Fuses
4	24 VDC W/PM Motors & In-Line Fuses

<b>Model 68KR2</b>	<b>PID Condenser KR2</b>	<b>Frame Kit</b> Section 2.10.1	<b>Cover Kit</b> Section 2.10.4	<b>Electrical Kit</b> Section 2.10.5
-101	00073	1	1	1
-101-1	00075	1	1	2
-101-2	00076	1	2	1
-101-3	00077	1	2	2
-101-4	00103	1	1	1
-101-5	00104	1	1	2
-101-6	00105	1	2	1
-101-7	00106	1	2	2
-101-8	00107	1	3	1
-101-9	00108	1	3	1
-101-10	00109	1	1	1
-101-11	00110	1	1	1
-101-12	00111	1	3	1

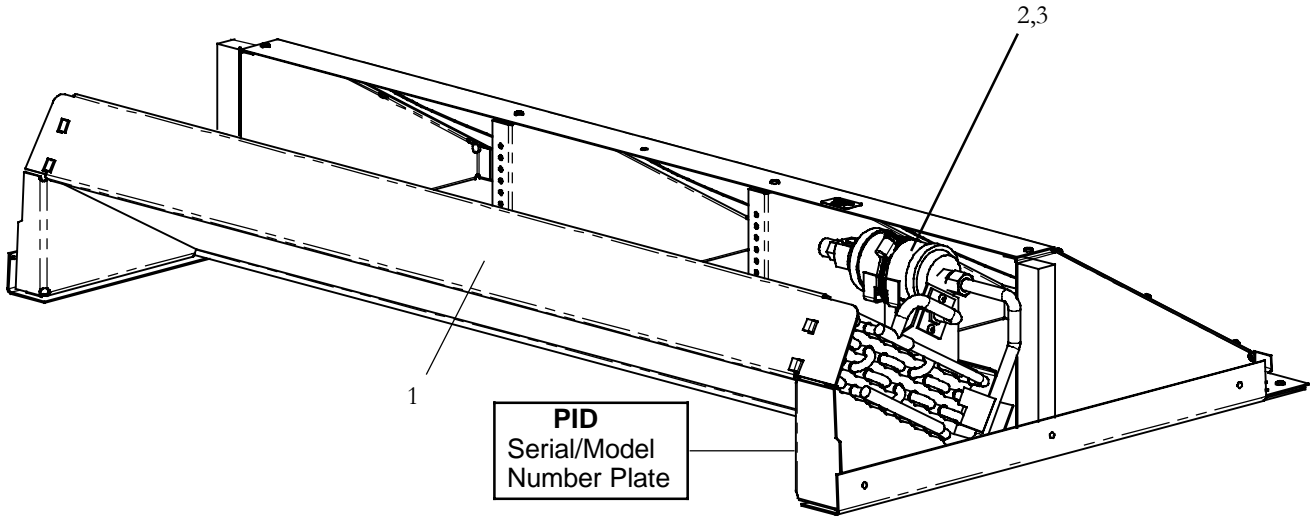
**OPTION TABLE KR3**

<b>Model 68KR3</b>	<b>PID Condenser KR3</b>	<b>Frame Kit</b> Section 2.10.1	<b>Cover Kit</b> Section 2.10.2	<b>Electrical Kit</b> Section 2.10.3
-101	00074	2	1	1
-101-1	00078	2	1	2
-101-2	00079	2	2	1
-101-3	00080	2	2	2
-101-4	00107	2	3	1
-101-5	00108	2	3	2
-101-6	00099	2	1	1
-101-7	00100	2	1	2
-101-8	00101	2	2	1
-101-9	00102	2	2	2
-101-10	00109	2	3	1
-101-11	00110	2	3	2
-101-12	00111	2	4	1
-101-13	00112	2	4	1
-101-14	00113	2	4	1
-101-15	00114	2	4	1
-101-16	00115	2	1	1
-101-17	00116	2	1	1
-101-18	00117	2	4	1

**SECTION 2.10 CONDENSER, 68KR2 & 68KR3-101 SERIES**

**2.10.1 CONDENSER, 68KR2 & 68KR3-101 SERIES - FRAME KIT : ALL OPTIONS 1 & 2**

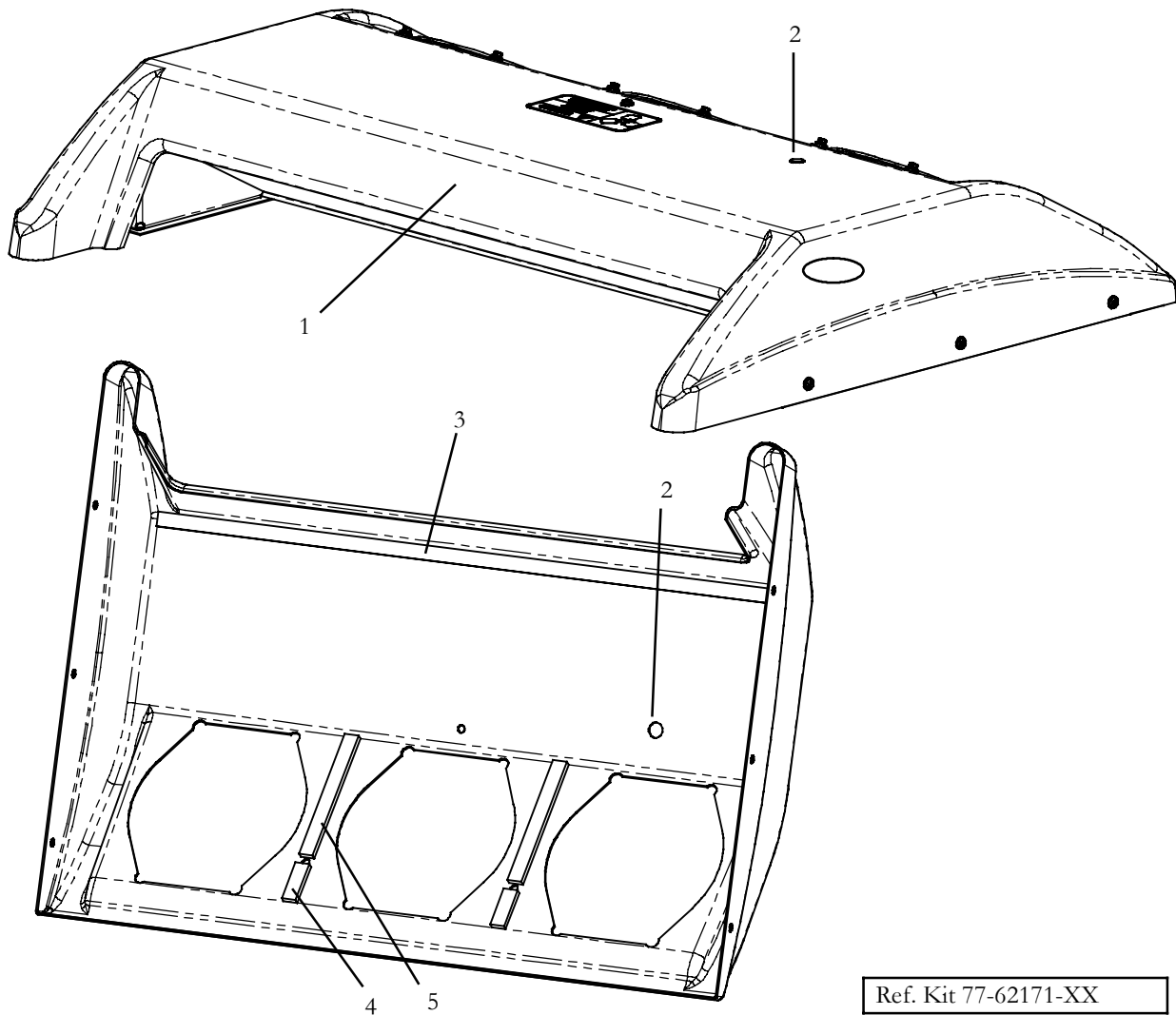
KIT #77-62170-02 & 06  
 KIT#77-62170-03, -04, -05



Item	Part Number	Description	Qty
1	08-62057-00	Coil Assembly, Condenser, KR2: <b>Option 1</b>	1
	08-62057-01	Coil Assembly, Condenser, KR3: <b>Option 2</b>	1
2	14-00288-00	Filter Drier, Sight Glass, 1/2 Inch M.O.R. (16 Cubic Inch)	1
3	AC801-202	O-Ring, 1/2 Inch, HNBR	1



2.10.2 CONDENSER, 68KR3-101 SERIES - COVER KIT - OPTIONS 1 thru 4

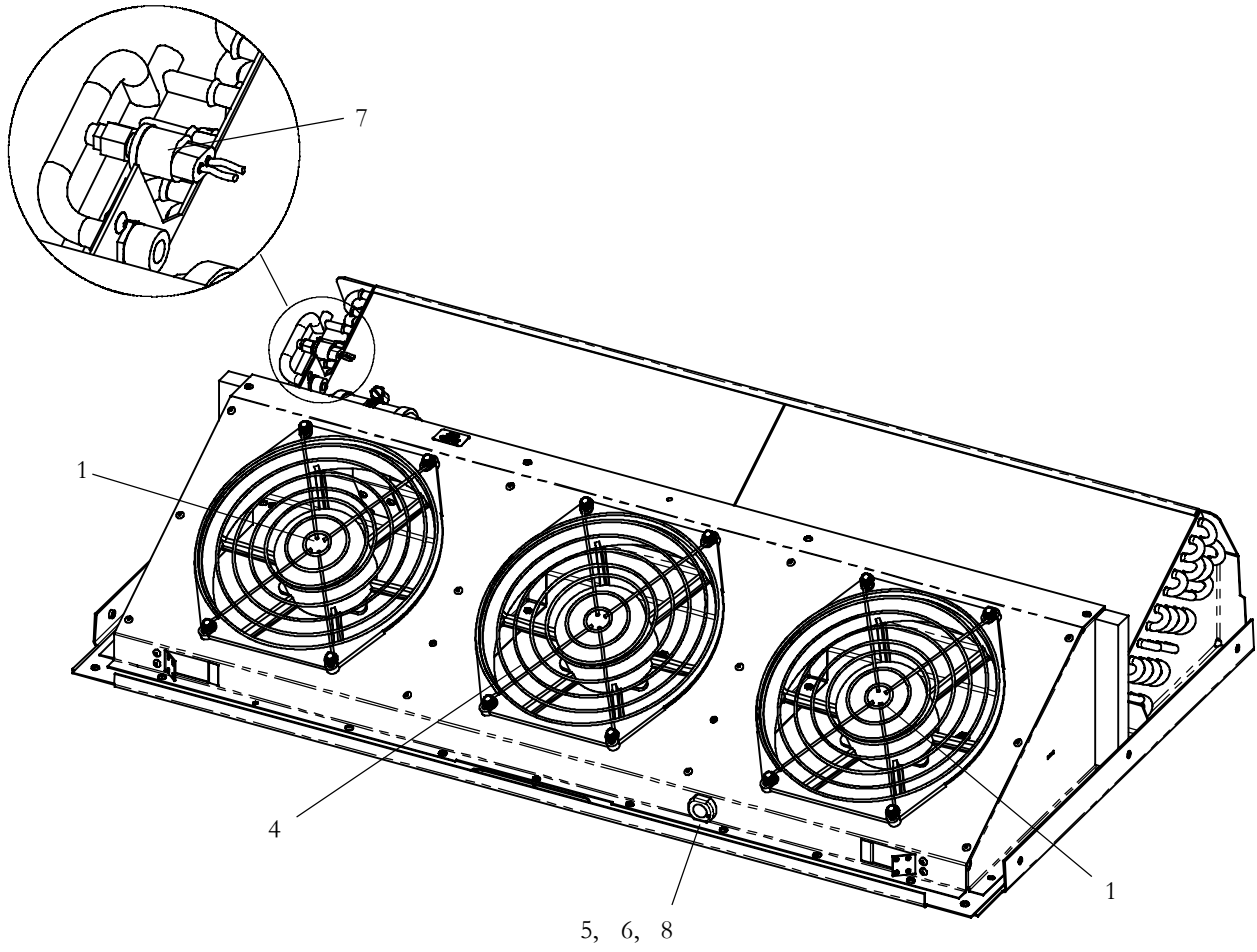


Ref. Kit 77-62171-XX

Item	Part Number	Description	Qty
1	77-62171-01	Cover, Condenser, KR3, Flat <b>(OPTION 1)</b>	1
	77-62171-03	Cover, Condenser, KR3, 196.85 Radius <b>(OPTION 2)</b>	1
	77-62171-04	Cover, Condenser, KR3, 275.59 Radius <b>(OPTION 3)</b>	1
	77-62171-06	Cover, Condenser, KR3, Standard (Flat) Radius <b>(OPTION 4)</b>	1
2	AC801-342	Plug, Clear, 1.00 Inch Diameter Hole	1
3	42-00221-18	Gasket, Foam, 1.00 Thick x .38 Wide x 46.50 Long, Adhesive Backed	1
4	42-00221-21	Gasket, Foam, 1.00 Thick x .38 Wide x 2.80 Long, Adhesive Backed	2
5	42-00221-20	Gasket, Foam, 1.00 Thick x .38 Wide x 9.32 Long, Adhesive Backed	2



2.10.3 CONDENSER, 68KR3-101 SERIES - ELECTRICAL KITS - (77-62172-01, -03, -05, -07)

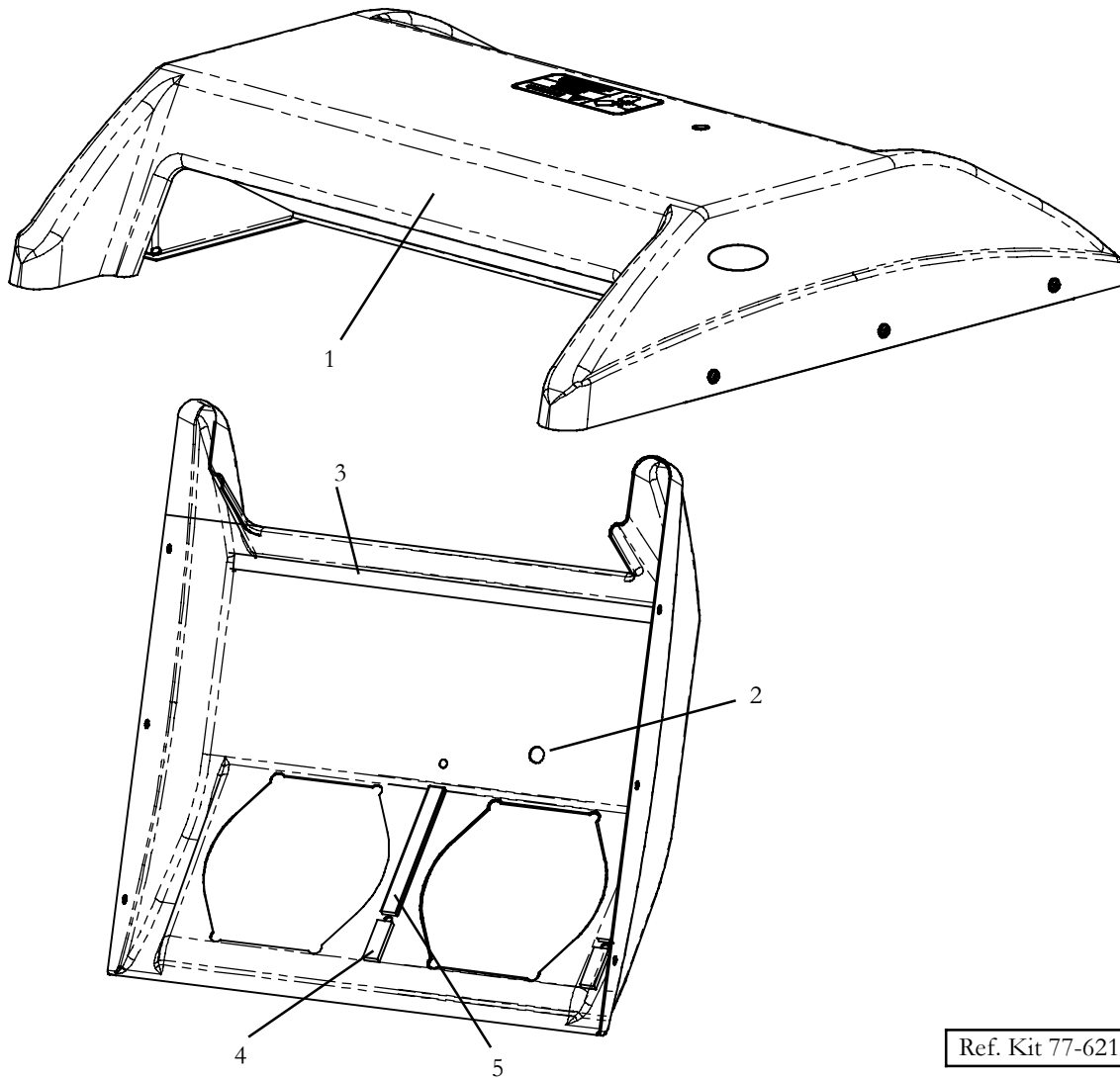


Ref. Kit 77-62172-XX

Item	Part Number	Description	Qty
1	54-00618-01	Fan & Motor Assembly, 12 VDC <b>(OPTION 1)</b>	3
	54-00618-02	Fan & Motor Assembly, 24 VDC <b>(OPTION 2)</b>	3
2	22-02336-25	.....Fuse, 20 Amp (Used in 12 VDC application) <b>(OPTION 1)</b>	3
3	22-02336-26	.....Fuse, 25 Amp (Used in 24 VDC application), <b>(OPTION 2)</b>	3
4	AC030-234	Guard, Fan, Condenser	3
5	22-62236-00	Harness Assembly, <b>(ALL)</b>	<b>NSI</b>
6	66U1-3882	Wire Tie, Self-Locking, 7 Inch, Black	9
7	AC201-414	Switch, Pressure, 1/4 Inch Female Flare (400-300 PSIG)	1
8	58-62019-00	Bushing, Harness, Strain Relief	1



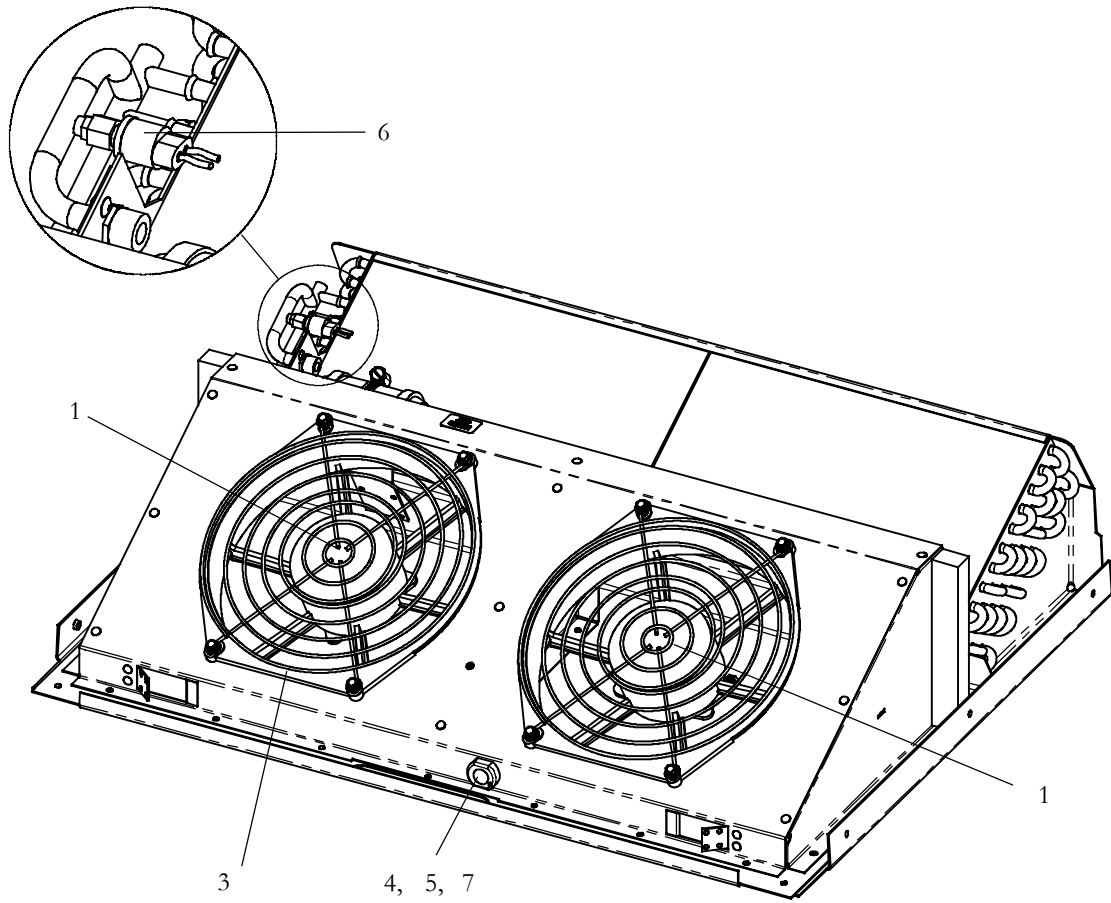
2.10.4 CONDENSER, 68KR2-101 SERIES - COVER KIT - 77-62171-00, -02 & -05



Ref. Kit 77-62171-XX

Item	Part Number	Description	Qty
1	77-62171-00	Cover, KR2, Flat <b>(OPTION 1)</b>	1
	77-62171-02	Cover, KR2, Radius <b>(OPTION 2)</b>	1
	77-62171-05	Cover, KR2, Standard (Flat) Radius <b>(OPTION 3)</b>	1
2	AC801-342	Plug, Clear, 1.00 Inch Diameter Hole	1
3	42-00221-19	Gasket, Foam, 1.00 Thick x .38 Wide x 34.25 Long, Adhesive Backed	1
4	42-00221-21	Gasket, Foam, 1.00 Thick x .38 Wide x 2.80 Long, Adhesive Backed	2
5	42-00221-20	Gasket, Foam, 1.00 Thick x .38 Wide x 9.32 Long, Adhesive Backed	2

**2.10.5 CONDENSER, 68KR2-101 SERIES - ELECTRICAL KIT - 77-62172-00, -02, -04 & -06**



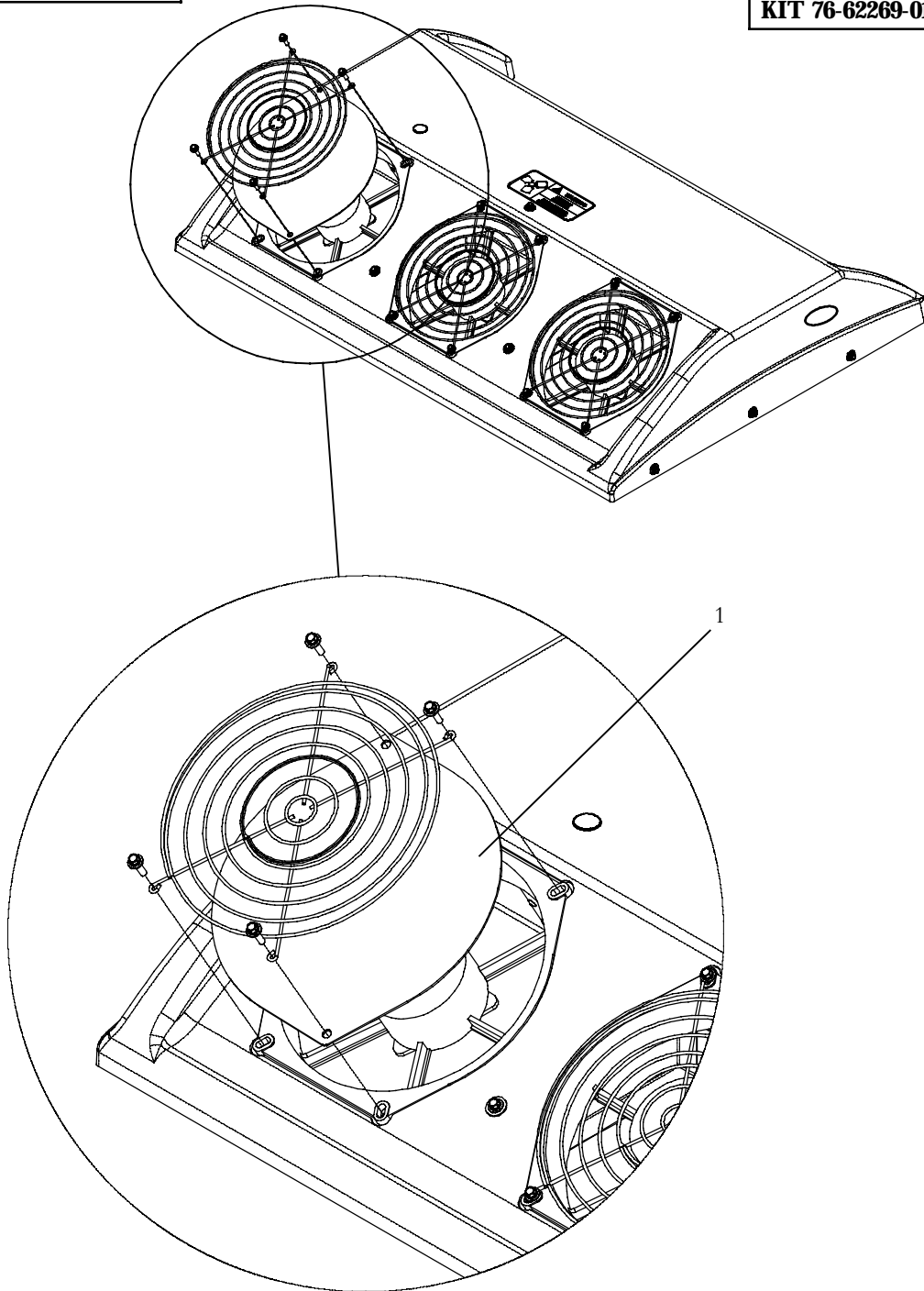
Ref. Kit 77-62172-XX

Item	Part Number	Description	Qty
1	54-00618-01	Fan & Motor Assembly, Vector, 12V, With Fuse <b>(OPTION 1)</b>	2
	54-00618-02	Fan & Motor Assembly, 24 VDC, With Fuse, <b>(OPTION 2)</b>	2
2	22-02336-25	.....Fuse, 20 Amp (Used in 12 VDC application) <b>(OPTION 1)</b>	2
	22-02336-26	.....Fuse, 25 Amp (Used in 24 VDC application), <b>(OPTION 2)</b>	2
3	AC030-234	Guard, Fan, Condenser	2
4	22-62235-00	Harness Assembly <b>(ALL)</b>	<b>NSI</b>
5	66U1-3882	Wire Tie, Self-Locking, 7 Inch, Black	6
6	AC201-414	Switch, Pressure, 1/4 Inch Female Flare, (400-300 PSIG)	1
7	58-62019-00	Bushing, Harness, Strain Relief	1

2.10.6 Figure 3-1 WINTERGUARD KITS - KR2/3 - (76-62269-00 & -01)

INSTALLATION DRAWING

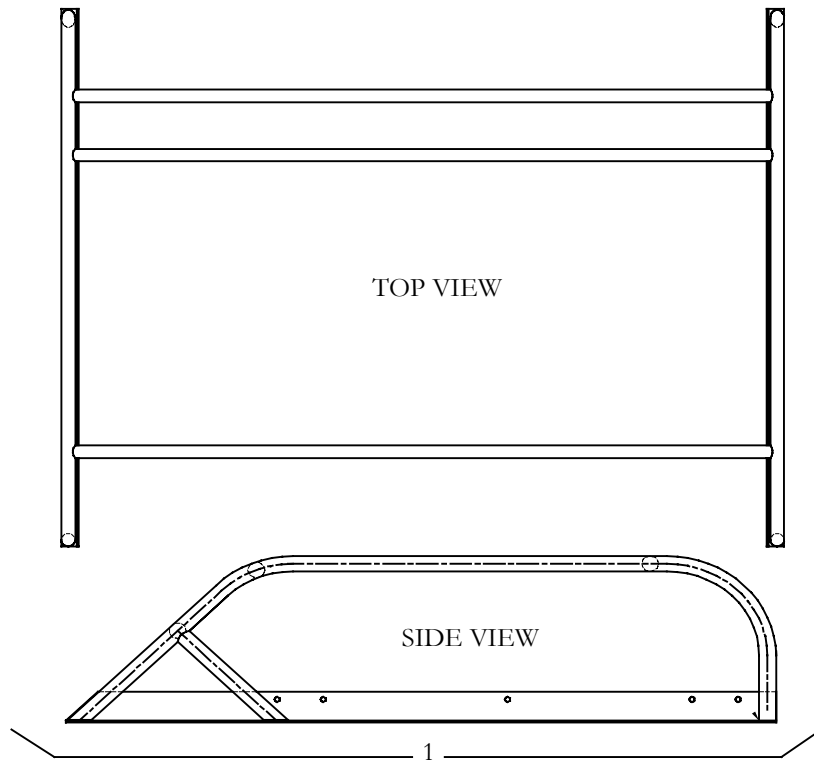
**KIT 76-62269-00 KR2**  
**KIT 76-62269-01 KR3**



Item	Part Number	Description	Qty
1	AC033-145	Winterguard Cover, KR2/KR3	2 / 3



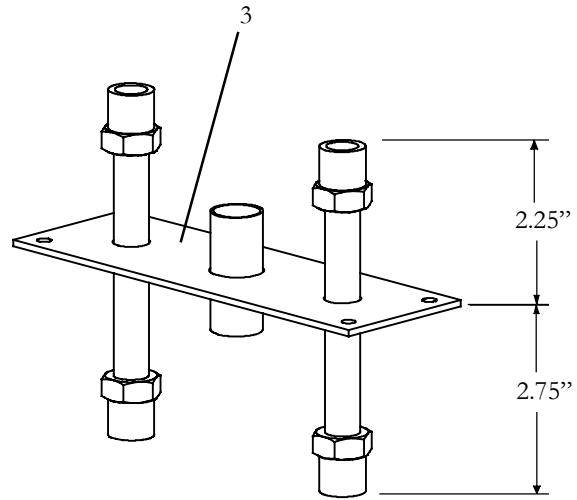
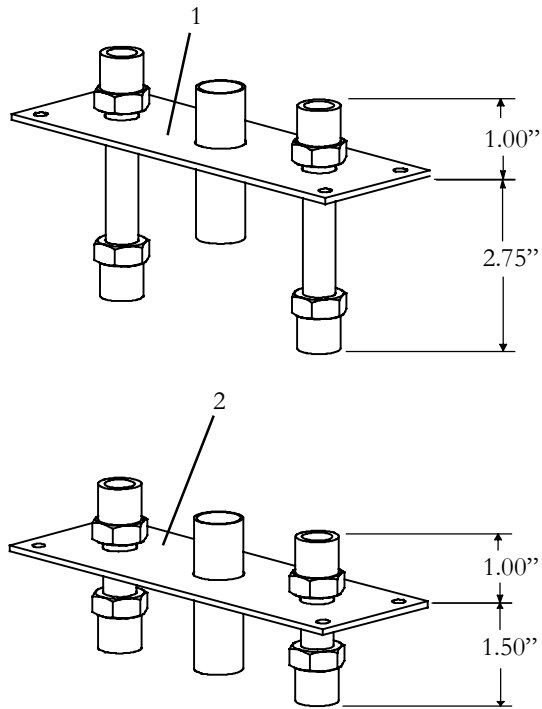
2.10.7 Figure 3-2 BRUSH GUARD, CONDENSER, KR2/3 AND CM-7/11



Item	Part Number	Description	Qty
1	86-62150-00	Brush Guard, <b>KR3 &amp; CM-7</b> (49.68 Inch Wide)	1
	86-62150-01	Brush Guard, <b>KR2 &amp; CM-11</b> (37.43 Inch Wide)	1



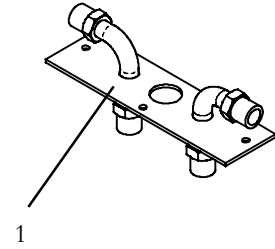
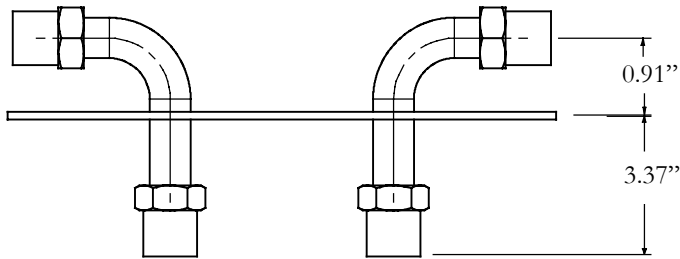
2.10.8 FEED-THROUGH PLATE ASSEMBLIES - ROOFTOPS - (81-62138)



Item	Part Number	Description	Qty
1	81-62138-00	Plate Assembly, Feed Through (6.75" x 2.25")	1
2	81-62138-01	Plate Assembly, Feed Through (6.75" x 2.25")	1
3	81-62138-02	Plate Assembly, Feed Through (6.75" x 2.25")	1

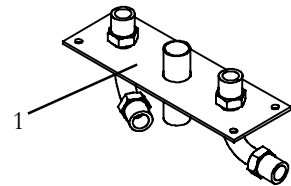
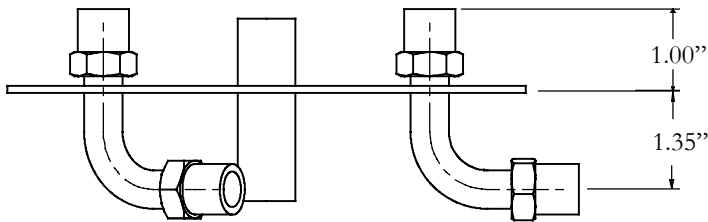


2.10.9 FEED-THROUGH PLATE ASSEMBLIES - ROOFTOPS - (81-62145)



Item	Part Number	Description	Qty
1	81-62145-01	KR2/3 Feed Thru Plate Assembly (6.75" x 1.88")	2

2.10.10 FEED-THROUGH PLATE ASSEMBLIES - ROOFTOPS - (81-62156)



Item	Part Number	Description	Qty
1	81-62156-00	Plate, Feed Thru (6.75" x 2.25")	1

SECTION 3 - FITTINGS & HOSE

SECTION 3.1 FITTINGS

**PLEASE REFERENCE MANUAL T-352PL FOR A MORE COMPLETE SELECTION OF FITTINGS AND HOSE OFFERED THROUGH MOBILE CLIMATE CONTROL.**

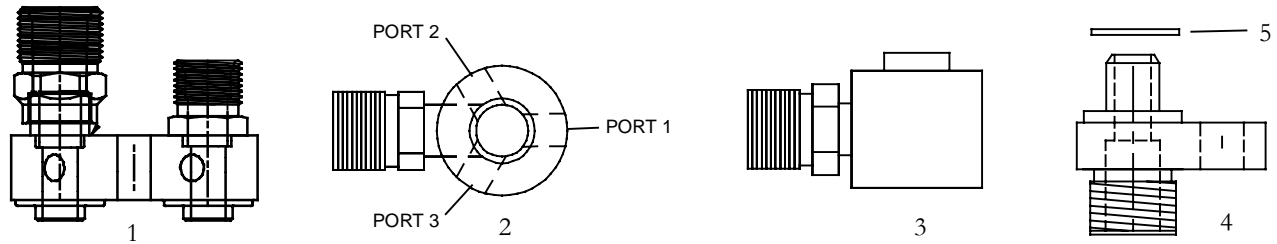
Cross Reference Part Numbers are Provided to Upgrade Quick-CLICK Hose and Fittings to FlexCLIK



**SERVICE PARTS LIST  
AND  
ASSEMBLY INSTRUCTIONS**  
for  
**“FlexCLIK” Hose & Fittings**



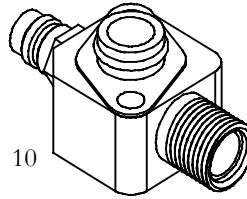
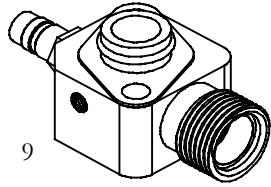
3.1.1 FITTING, A-6 COMPRESSOR, (GM STYLE)



Item	Part Number	Description
1	40-62057-03	Fitting, Block, GM Style, #10 M.I.O X #10 M.I.O. X #12 M.I.O.(Tapped Ports/Steel)
2	40-62033-03	Fitting, Block, GM Style, #8 M.I.O. With Ports #1 & #2, (Steel)
	40-62033-04	Fitting, Block, GM Style, #10 M.I.O. With Ports #1 & #3, (Steel)
	40-62033-05	Fitting, Block, GM Style, #12 M.I.O. With Ports #1 & #3, (Steel)
3	40-62008-03	Fitting, Block, GM Style, #8 M.I.O., (Steel)
	40-62008-04	Fitting, Block, GM Style, #10 M.I.O., (Steel)
	40-62008-05	Fitting, Block, GM Style, #12 M.I.O., (Steel)
4	40-62119-00	Fitting, Block, GM Style, Liquid, #6 M.I.O.
5	58-62121-00	Seal, 2003 GM Fitting Block, .44 I.D.
6	40-62120-00	Fitting, Block, GM Style, Discharge, #10 M.I.O.
7	40-62078-00	Fitting, Block, GM Style, Suction, #10 M.I.O.
8	40-62079-00	Fitting, Block, GM Style, Liquid, #6 M.I.O.

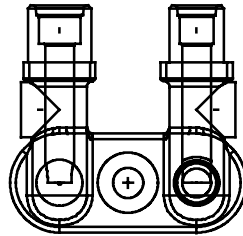


**3.1.2 FITTINGS - TM-31**



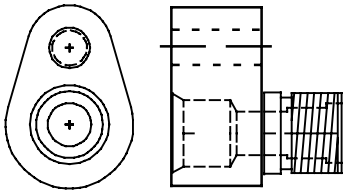
9	40-62068-00	Fitting, Manifold, Compressor, Suction, (TM-31)
10	40-62068-01	Fitting, Manifold, Compressor, Discharge, (TM-31)

**3.1.3 FITTINGS - MISCELLANEOUS**

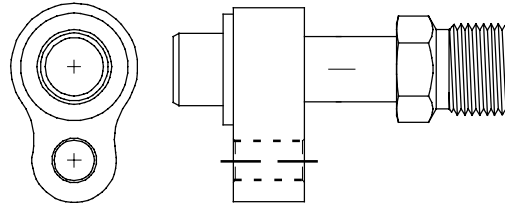


11

11	40-62113-00	Fitting, Manifold, 3/4 X 7/8 Female "O" Ring (VOR UP)
12	40-62113-01	Fitting, Manifold, 3/4 X 7/8 Female "O" Ring (VOR DOWN)

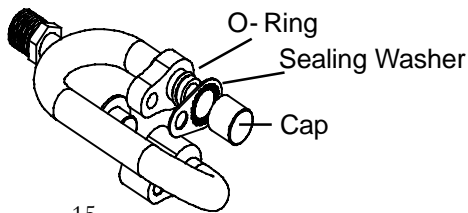


13

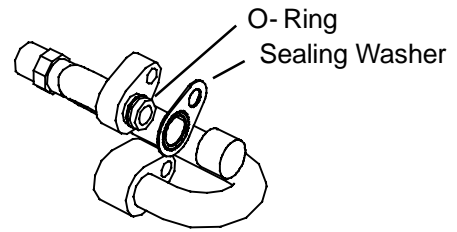


14

13	40-62090-00	Fitting, Block, 07 Ford Discharge x #8 MIO
14	40-62092-00	Fitting, Block, Peanut Block To #10 MIO



15

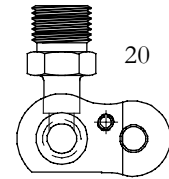
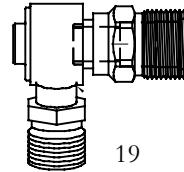
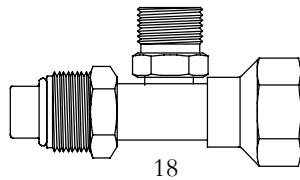
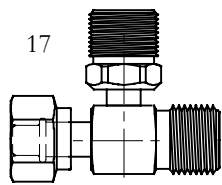


16

15	40-62091-00	Fitting, Block, 07 Ford Suction x #10 MIO
16	40-62126-00	Fitting, Block, 09 Ford Suction x #10 MIO

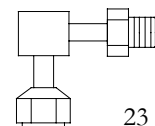
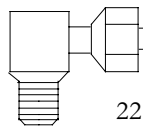
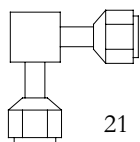


**3.1.4 FITTINGS, TEE**



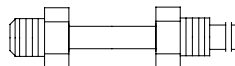
Item	Part Number	Description
17	40-62019-01	Fitting, Tee, #8 F.O-Ring X #8 M.I.O-Ring X #8 M.I.O-Ring
	40-62019-02	Fitting, Tee, #12 F.O-Ring X #12 M.I.O-Ring X #12 M.I.O-Ring
	40-62019-03	Fitting, Tee, #12 F.O-Ring X #12 M.I.O-Ring X #10 M.I.O-Ring
18	40-62043-00	Fitting, Tee, #12 M.O-Ring (Swivel Nut) X #12 F.I.O-Ring X #10 F.I.O-Ring
19	40-62058-00	Block, Fitting, #10 M.I.O-Ring X #10 M.I.O-Ring X #12 M.I.O-Ring
20	40-62070-00	Block, Fitting, (Liquid) #6 M.I.O-Ring, (For 2003 Sprinter)
	40-62071-00	Block, Fitting, (Suction) #10 M.I.O-Ring, (For 2003 Sprinter)

**3.1.5 FITTING, SWIVEL UNIONS**



Item	Part Number	Description
21	AC301-441	Fitting, 90°, 1/2 Inch Female Flare X 1/2 inch Female Flare
22	AC302-450	Fitting, 90°, 5/8 Inch Male Flare X 1/2 inch Female O-Ring
23	AC301-452	Fitting, 90°, 1/2 Inch Female Flare X 1/2 inch Male Flare
	AC301-453	Fitting, 90°, 5/8 Inch Female Flare X 5/8 inch Male Flare

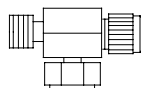
**3.1.6 FITTING, FLARE TO O-RING**



24

Item	Part Number	Description
24	AC301-459	Fitting, Straight, 3/8 Inch Male O-Ring X 3/8 inch Male Flare

**3.1.7 FITTING, TUBE-O, R134a**

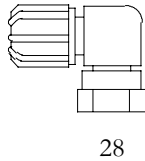
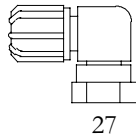
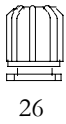


25

Item	Part Number	Description
25	AC302-453	Fitting, Tube-O X 1/2 Inch O-Ring with Access (R134a)
	AC302-454	Fitting, Tube-O X 5/8 Inch O-Ring with Access (R134a)

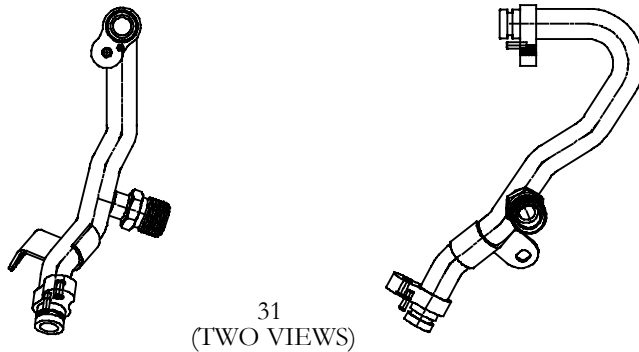


**3.1.8 FITTING, ADAPTER AND CAP**



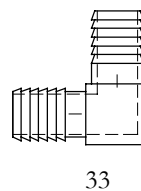
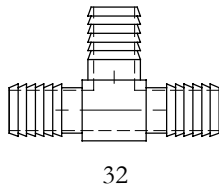
Item	Part Number	Description
26	40-60042-01	Fitting, Brass, Straight, (High-Side Tap R-12 to R-134a)
27	AC302-441	Fitting, Brass, 90°, (High-Side Tap R-12 to R-134a) (40-62116-00)
28	AC302-440	Fitting, Brass, 90°, (Low-Side Tap R-12 to R-134a) (40-62117-00)
29	40-00520-02	Fitting, Cap, Low-Side (R134a - M8 X1) Red or Black
30	40-00520-03	Fitting, Cap, High-Side (R134a - M10 X1) Blue or Black

**3.1.9 FITTING, SUCTION (SPRINTER)**



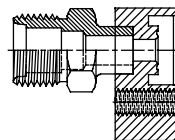
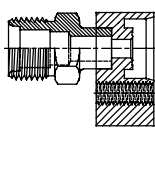
Item	Part Number	Description
31	40-62099-00	Fitting, Suction (Sprinter)

**3.1.10 FITTINGS - BRONZE & BRASS - MISC.:**



Item	Part Number	Description
32	40-62095-00	Fitting, Hose, Tee, Bronze, 1 Inch Heater Hose
33	40-62096-00	Fitting, Hose, Elbow, Bronze, 1 Inch Heater Hose

**3.1.11 FITTINGS -BLOCK ASSEMBLY**

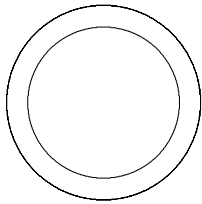


Item	Part Number	Description
34	Y27-00186-00	Fitting, 8MM MSF x #8 MIOR (Liquid @ B Pillar), 2015 Ford Transit
35	Y27-00186-01	Fitting, 5/8" MSF x #10 MIOR (Suction @ B Pillar), 2015 Ford Transit

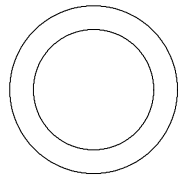




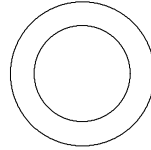
3.1.12 "O"-RINGS, HNBR



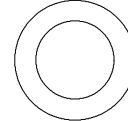
5



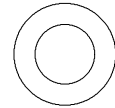
4



3



2



1

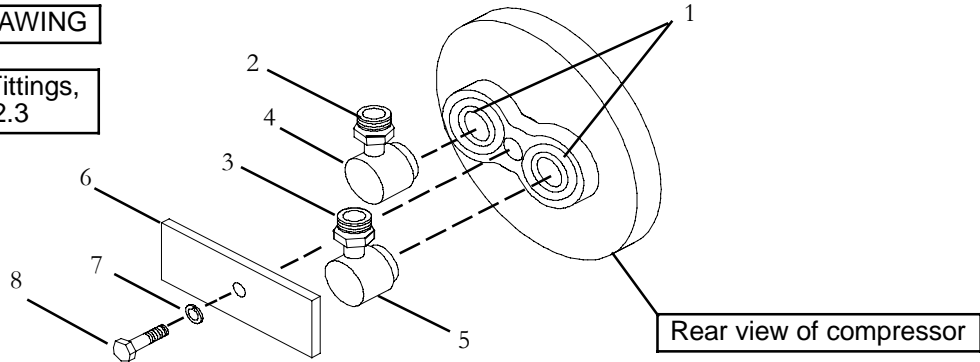
Item	Part Number	Description
1	AC801-201	O-Ring, Inch, HNBR, .301 I.D.
2	AC801-202	O-Ring, 1/2 Inch, HNBR, .426 I.D.
3	AC801-203	O-Ring, 5/8 Inch, HNBR, .551 I.D.
4	AC801-207	O-Ring, HNBR, .556 I.D.
5	AC801-217	O-Ring, HNBR, .676 I.D.
6	AC801-222	O-Ring, HNBR, Seltec/Sanden Manifold
7	42-00243-21	O-Ring, HNBR, A-6 Replacement, .796 I.D.

**SECTION 3.2 COMPRESSOR FITTING KITS**

**3.2.1 INSTALLATION INSTRUCTIONS FOR COMPRESSORS WITH GM STYLE PORTS ON REAR**

**INSTALLATION DRAWING**

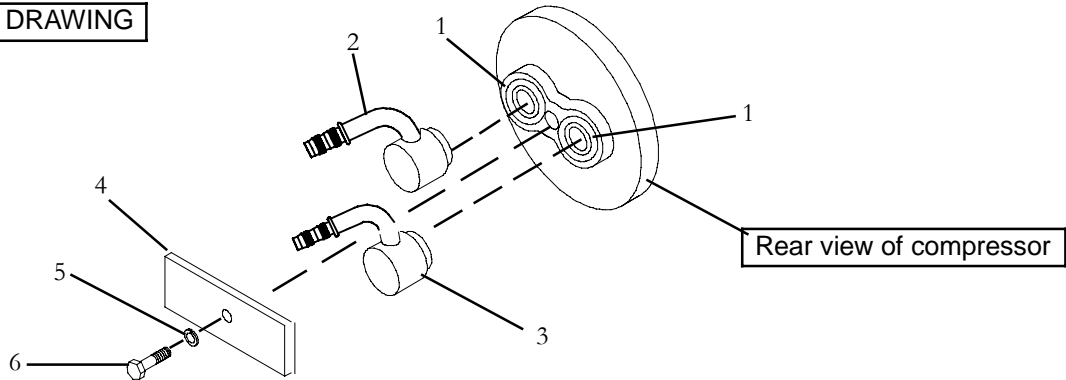
For Hose Interface Fittings,  
Refer To Section 3.2.3



Item	Part Number	Description
1	AC801-222	O-Ring, HNBR, Seltec/Sanden Manifold
	42-00243-21	O-Ring, HNBR, A-6 Replacement, .796 I.D.
2	AC801-202	O-Ring, 1/2 Inch, HNBR, .426 I.D.
3	AC801-203	O-Ring, 5/8 Inch, HNBR, .551 I.D.
5	40-62008-03	Fitting, Block, GM, 90 X #8 M.I.O.
	40-62008-04	Fitting, Block, GM, 90 X #10 M.I.O.
	40-62008-05	Fitting, Block, GM, 90 X #12 M.I.O.
6	68-62139-00	Plate, Fitting Lock
7	34-00945-10	Washer, Split Lock, 10MM
8	NSI	Bolt, Hex Head, 10MM-1.50P X 50MM Grade 10.9 (A-6 Only)
	NSI	Bolt, Hex Head, 10MM-1.50P X 55MM Grade 10.9 (Seltec & Sanden Only)

**3.2.2 INSTALLATION INSTRUCTIONS FOR COMPRESSORS WITH GM STLE PORTS (FlexCLIK MANIFOLD FITTINGS)**

**INSTALLATION DRAWING**



Item	Part Number	Description
1	AC801-222	O-Ring, HNBR, Seltec/Sanden Manifold
	42-00243-21	O-Ring, HNBR, A-6 Replacement, .796 I.D.
2	40-62136-51	Fitting Kit, Block, GM, 90 Degree X #12 FlexCLIK Hose
3	40-62136-50	Fitting Kit, Block, GM, 90 Degree X #10 FlexCLIK Hose
4	68-62139-00	Plate, Fitting Lock
5	34-00945-10	Washer, Split Lock, 10MM
6	NSI	Bolt, Hex Head, 10MM-1.50P X 50MM Grade 10.9

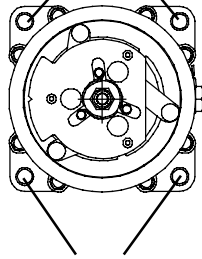
<b>3.2.3 COMPRESSOR TO REFRIGERANT HOSE, INTERFACE FITTINGS</b>		
1	AC301-419	Fitting, 90 Degree, 1/2 Inch Female O-Ring X #10 Beadlock Hose
2	AC302-432	Fitting, 90 Degree, 5/8 Inch Female O-Ring X #12 Beadlock Hose
3	AC302-436	Fitting, Straight, With Access #12 X #12 Beadlock Hose
4	AC302-437	Fitting, Straight, With Access #10 X #10 Beadlock Hose
5	AC302-494	Fitting, 90 Degree, 1/2 Inch Female O-Ring X #10 Beadlock Hose W/Access
6	AC302-495	Fitting, 90 Degree, 5/8 Inch Female O-Ring X #12 Beadlock Hose W/Access
7	AC301-447	Fitting, Straight, 1/2 Inch Female O-Ring X #10 Beadlock Hose
8	AC302-459	Fitting, Straight, 5/8 Inch Female O-Ring X #12 Beadlock Hose
9	40-64075-53	Fitting Kit, 90 Degree, 1/2 Inch Female O-Ring X #10 FlexCLIK Hose
10	40-64075-55	Fitting Kit, 90 Degree, 5/8 Inch Female O-Ring X #12 FlexCLIK Hose
11	40-64115-51	Fitting Kit, Splicer With Access, #12 X #12 FlexCLIK Hose
12	40-64115-50	Fitting Kit, Splicer With Access, #10 X #10 FlexCLIK Hose
13	40-62103-50	Fitting Kit, 90 Degree, 1/2 Inch Female O-Ring X #10 FlexCLIK Hose W/Access
14	40-62103-55	Fitting Kit, 90 Degree, 5/8 Inch Female O-Ring X #12 FlexCLIK Hose W/Access

SECTION 4 - COMPRESSORS

**COMPRESSOR IDENTIFICATION**

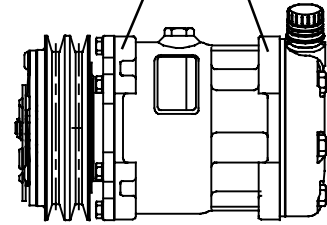
**4.1 MOUNTING IDENTIFICATION**

Mounting Holes



Mounting Holes

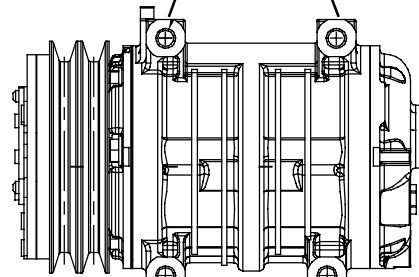
Mounting Holes



(Side View Reference Only)

**EAR MOUNT VERSION**

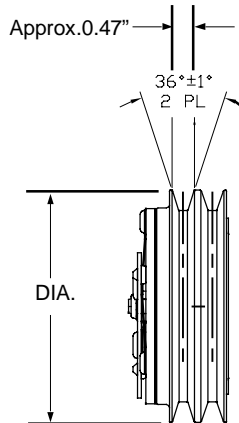
Mounting Holes



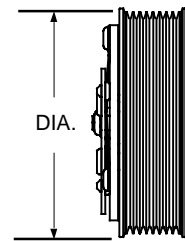
Mounting Holes

**DIRECT MOUNT VERSION**

**4.2 CLUTCH IDENTIFICATION**



2 A Groove Pulley

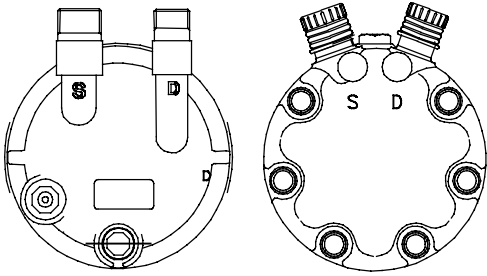


Poly- V Groove Pulley  
6,8 & 10 Groove

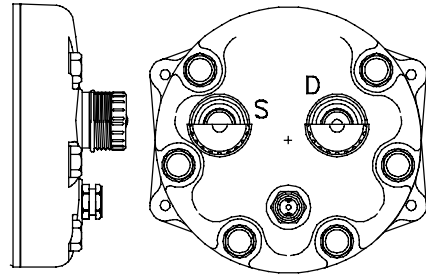
NOTE: Clutch assembly kits are specific to pulley diameter and clutch coil voltage of 12 VDC or 24 VDC

# COMPRESSOR IDENTIFICATION

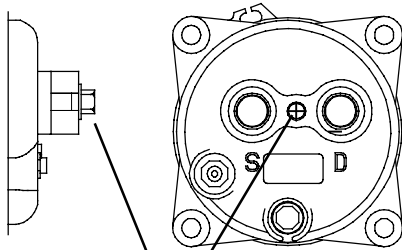
## 4.3 MANIFOLD IDENTIFICATION



Vertical O- Ring Fittings

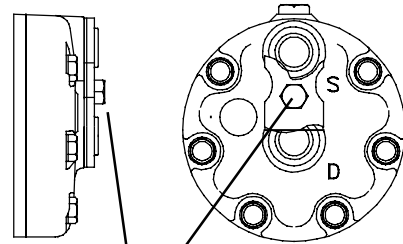


Horizontal O- Ring Fittings



GM Pad Mount Fittings

(Fittings are secured by a Manifold with Single Bolt in the Center)





4.4 SANDEN, SD-508, (R12)



Part Number	Description
AC501-249A	Compressor, SD-508, 12 VDC, (7) Gr. Poly-V, Ear Mount., Horizontal Tube-O (9570)

4.5 SANDEN, SD-709, (R12)



AC501-226A	Compressor, SD-709, (6) Gr. Poly-V, Direct Mt, Vertical O-Ring, (7416)
AC501-252A	Compressor, SD-709, (6) Gr. Poly-V, 12 VDC, Ear Mount, Vertical Tube-O (7427)

THE LETTER "A" OR "B" AT END OF THE PART # (EX. AC501-224A) MEANS THAT THE COMPRESSOR IS SUPPLIED WITH FITTINGS AND O-RINGS



4.6 SANDEN, SD-709 (R12 & R134a)



AC501-236	Field Coil, Clutch, 24 VDC, SD-709 and SD-7H15
AC501-247	Clutch Assembly, (6) Groove, 12 VDC, Poly-V, SD-709
AC501-257	Kit, Seal, SD-709 (R-22)



THE LETTER "A" OR "B" AT END OF THE PART # (EX. AC501-224A) MEANS THAT THE COMPRESSOR IS SUPPLIED WITH FITTINGS AND O-RINGS



4.7 SANDEN, SD-510, (R12)

AC501-248	Compressor, SD-510, 12 VDC, (2) "A" Gr., Vertical O-Ring, (9137)
AC501-223A	Compressor, SD-510, 12 VDC, (7) Gr., Ear Mount, Vertical O-Ring, (9663) With Fittings







4.8 SANDEN, SD-7H15, (R134a)



AC501-282A	Compressor, SD-7H15, (2) "A" Gr.132mm, Direct Mt., Vert. O-Ring, 12 VDC, (4626) W/Fittings
AC501-289A	Compressor, SD-7H15, (8) Gr. Poly-V, 12 VDC, Ear Mount H.Tube-O, (7822), W/90 Deg. Ftg
AC501-298A	Compressor, SD-7H15, (8) Gr. Poly-V, 119mm, 12 VDC, Direct Mt, Hor. O-Ring, W/Ftgs (4666)
18-00093-00	Compressor, SD-7H15-SHD, (2) "A" Grv.125mm, 12VDC, Ear Mount, 3/4 In. X 7/8 In. Vert. O-Ring, <b>(supersede to 18-00093-07)</b>
18-00093-01	Compressor, SD-7H15-SHD, (2) "A" Grv. 125mm,12 VDC, Ear Mount, GM Pad Fitting, (4708)
18-00093-14	Compressor, SD-7H15-SHD, (2) "A" Grv. 125 mm,12 VDC, Direct Mount, GM Pad Fitting, (4419)
18-00093-15	Compressor, SD-7H15-SHD, (2) "A" Grv. 125 mm,12 VDC, Ear Mount, GM Pad Fittings W/Connections
18-00093-16	Compressor, SD7H15 EHC, 10 Grv., Poly-V123 mm, 12VDC, Direct Mount, GM Pad Fitting (4034)



THE LETTER "A" OR "B" AT END OF THE PART # (EX. AC501-224A) MEANS THAT THE COMPRESSOR IS SUPPLIED WITH FITTINGS AND O-RINGS



**4.9 SANDEN SD-7H15 SHD, PARTS**

AC501-285	Head, Cylinder, With Gasket, Horizontal O-Ring, SD-7H15
AC501-286	Head, Cylinder, With Gasket, Vertical O-Ring, SD-7H15



**4.10 SELTEC, TM-15, (R12)**



AC501-270A	Compressor, TM-15, (2) "A" Gr.,12 VDC, Horizontal Tube-O
AC501-271A	Compressor, TM-15, (2) "A" Gr., 12 VDC, Ear Mount, Vertical O-Ring, With Fittings
AC501-273A	Compressor, TM-15, (8) Gr. Poly-V, 12 VDC, Ear Mount, Vertical O-Ring, With Fittings

THE LETTER "A" OR "B" AT END OF THE PART # (EX. AC501-224A) MEANS THAT THE COMPRESSOR IS SUPPLIED WITH FITTINGS AND O-RINGS



4.11 SELTEC, TM-15, (R134a)



AC501-266A Compressor, TM-15, (2) "A" Grv., 12 VDC, Ear Mount, Horizontal Tube-O, With Fittings

AC501-267A Compressor, TM-15, (2) "A" Grv., (125mm), 12 VDC, Ear Mount, Vertical O-Ring, With Fittings  
**(Supersede to 18-00093-07)**



AC501-268A Compressor, TM-15, (6) Grv. Poly-V, 12 VDC, Direct Mt., Vertical O-Ring, With Fittings



AC502-208A Compressor, TM-15, (8) Grv. Poly-V, 12 VDC, Ear Mount, Horizontal Tube-O W/Ftgs.

AC502-209A Compressor, TM-15, (8) Grv. Poly-V, 12 VDC, Ear Mount, Vertical Tube-O W/Ftgs  
**(Supersede to AC502-209Z)**





4.12 SELTEC, TM-15, (R134a) - Continued:



AC502-215A Compressor, TM-15, (2) "A" Grv., 125 mm, 12 VDC, Ear Mount, (Without Manifold - Without Fittings)

4.13 SELTEC, TM-16 & TM-16HS, (R134a)



18-00093-05 Compressor, TM-16, (8) Grv., Poly-V, 12 VDC, Ear Mount, Vertical O-Ring, Monolithic Head, (was AC502-210)



18-00093-07 Compressor, TM-16, (2) "A" Grv., 12 VDC, Ear Mount, Vert.O-Ring, Monolithic Head (125MM), (was AC502-220)

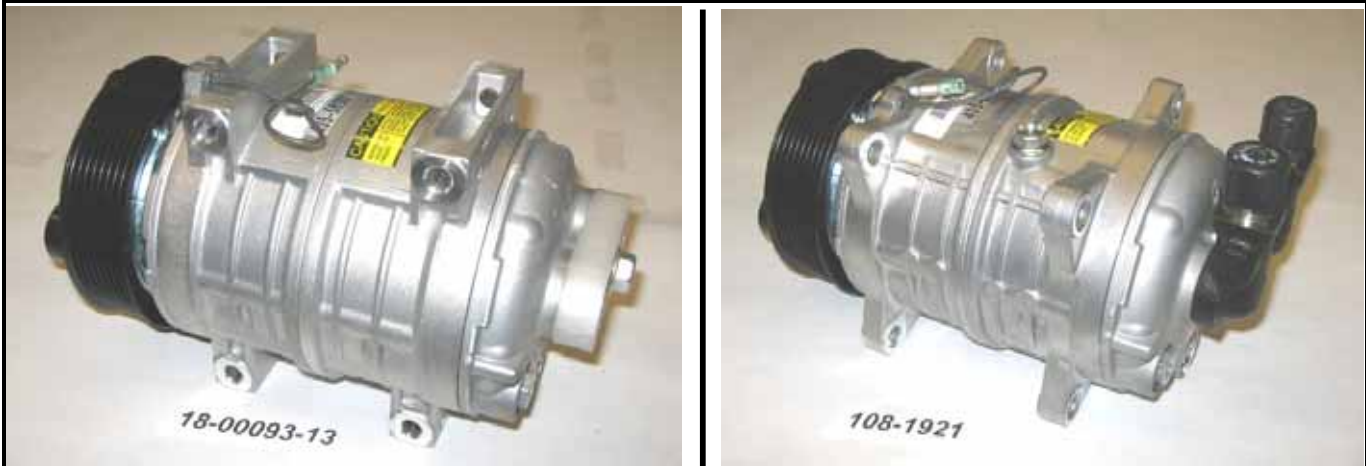
18-00093-09 Compressor, TM-16, (8) Grv., Poly-V, 12 VDC, Ear Mount, Pad Fittings, Monolithic Head, (was 18-00074-35)



4.13 SELTEC, TM-16 & TM-16HS, (R134a) - Continued:



18-00093-06	Compressor, TM-16HS (8) Grv., Poly-V, 24 VDC, Ear Mount, 3/4" O-Ring & 7/8" O-Ring (V.O.R. Head)
18-00093-07	Compressor, TM-16HS (2) "A" Grv., 12 VDC, Ear Mount, 3/4" O-Ring & 7/8" O-Ring (V.O.R. Head)
18-00093-09	Compressor, TM-16HS (8) Grv., Poly-V, (123 mm), 12 VDC, Ear Mount, GM Pad Fittings Monolithic Head
18-00093-10	Compressor, TM-16HS (8) Grv., Poly-V, (123 mm), 24 VDC, Ear Mount, GM Pad Fittings Monolithic Head
18-00093-11	Compressor, TM-16HS (2) "A" Grv., (125mm), 12 VDC, Ear Mount, GM Pad Fittings, Monolithic Head, <b>(Was 18-00074-36)</b>
18-00093-12	Compressor, TM-16HS (2) "A" Grv., (125 mm), 24 VDC, Ear Mount, GM Pad Fittings Monolithic Head



18-00093-13	Compressor, TM-16HS (8) Grv., Poly-V, (123mm), 12 VDC, Direct Mount, GM Pad Fittings
18-00093-17	Compressor, TM-16HS (6) Grv., Poly-V, 12 VDC, Ear Mount, Vertical "O"-Ring, 3/4"-7/8" Pad Fitting
108-1921Z	Compressor, TM-16, (8) Grv., Poly-V, 12 VDC, Vertical "O" Ring



**4.14 QUE COMPRESSORS (Alternative Compressor for Valeo TM16 Line)**

<b>QUE Compressors (Alternative Compressor for Valeo TM16 Models)</b>		
<b>QUE Part #</b>	<b>TM16 Part #</b>	<b>Description</b>
Y61-Q1601-00	18-00093-13	Compressor, (8) Grv., Poly-V, (119mm),12 VDC, Direct Mount, GM Pad Fittings
Y61-Q1601-01	18-00093-09	Compressor, (8) Grv., Poly-V, (119 mm), 12 VDC, Ear Mount, GM Pad Fittings Monolithic Head
Y61-Q1601-02	18-00093-11	Compressor, (2) "A" Grv., (125mm), 12 VDC, Ear Mount, GM Pad Fittings, Monolithic Head
Y61-Q1601-03	18-00093-05	Compressor, (8) Grv., Poly-V, (119mm), 12 VDC, Ear Mount, 3/4" O-Ring & 7/8" O-Ring (V.O.R. Head)
Y61-Q1601-04	18-00093-07	Compressor, (2) "A" Grv., (125mm), 12 VDC, Ear Mount, 3/4" O-Ring & 7/8" O-Ring (V.O.R. Head)



4.15 SELTEC, TM-15/16 PARTS (Replaces DK-15 Diesel Kiki Parts)



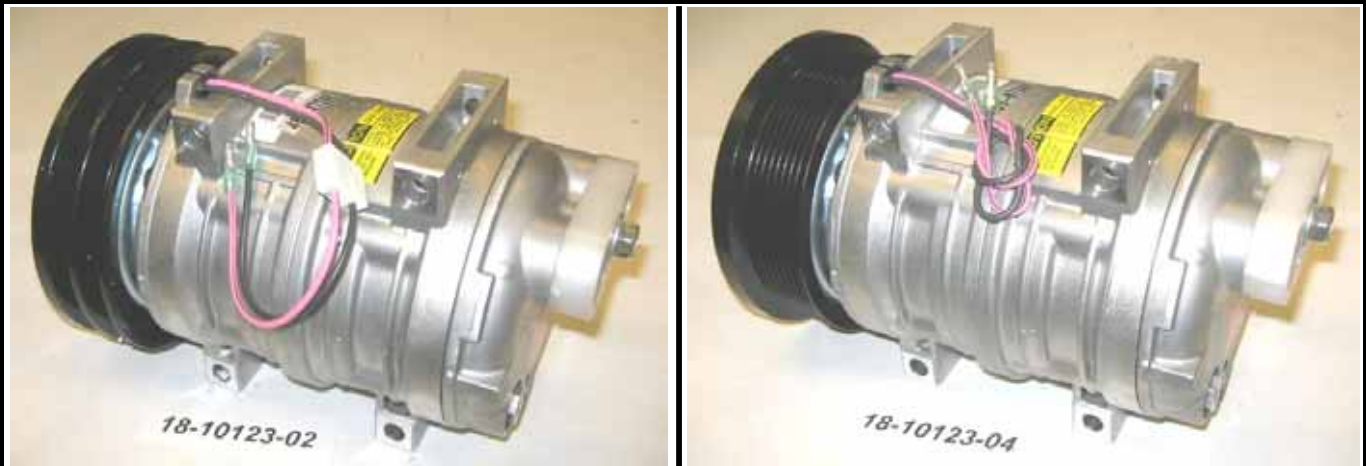
AC501-291	Clutch, Assembly, TM-15/16, (8) Gr. Poly-V, 12 VDC (Splined Shaft)
AC501-292	Clutch, Assembly, TM-15, (2) "A" Gr., (125mm) 12 VDC
50-60135-00	Clutch, Assembly, TM-15/16, (2) "A" Gr., (135mm) 12 VDC
42-60023-00	O-Rings For Bolt On Manifold, TM-08 Thru TM-16 <b>(S/S to AC801-222)</b>



17-31307-00	Coil, Clutch, 12 VDC, (TM-15/16) 4 Inch O.D.
-------------	--



4.16 SELTEC, TM-21HX, (R134a)



18-10123-00	Compressor, TM-21-HX, (8) Grv., Poly-V, 12 VDC, (137MM), Direct Mount, GM Pad Fitting
18-10123-02	Compressor, TM-21-HX, (2) "A" Grv., 12 VDC, (145MM), Direct Mount, GM Pad Fitting
18-10123-04	Compressor, TM-21-HX, (8) Grv., Poly-V, 12 VDC, (127MM), Direct Mount, GM Pad Fitting <b>(Superseded to 18-10123-08)</b>
18-10123-06	Compressor, TM-21-HX, 6 Grv., Poly-V, 12VDC, (137mm), Direct Mount, GM Pad Fitting
18-10123-07	Compressor, TM-21-HX, 10 Grv., Poly-V, (141MM),12VDC, Direct Mount, GM Pad Fitting
18-10123-08	Compressor, TM-21-HX, 8 Grv., Poly-V, (127MM),12VDC, Direct Mount, GM Pad Fitting
18-10123-09	Compressor, TM-21-HX, (2) A Grv., (145MM),12VDC, Direct Mount, GM Pad Fitting
50-50074-00	Clutch, 12 VDC, Poly-V 8-Groove, 141 MM
50-50076-00	Coil, Clutch, 12VDC

4.17 QUE COMPRESSORS (Alternative Compressor for Valeo TM21 Line)

<b>QUE Compressors</b> <b>(Alternative Compressor for Valeo TM21 Models)</b>		
QUE Part #	TM16 Part #	Description
Y61-Q2101-00	18-10123-00	Compressor, (8) Grv., Poly-V, (137mm),12 VDC, Direct Mount, GM Pad Fittings, no diode in clutch wire
Y61-Q2101-01	18-10123-07	Compressor, (10) Grv., Poly-V, (141 mm), 12 VDC, Direct Mount, GM Pad Fittings
Y61-Q2101-02	18-10123-08	Compressor, (8) Grv., Poly-V, (127mm), 12 VDC, Direct Mount, GM Pad Fittings
Y61-Q2101-03	18-10123-09	Compressor, (2) "A"Grv., (145mm), 12 VDC, Direct Mount, GM Pad Fittings
Y61-Q2101-04	18-10123-06	Compressor, (6) Grv., Poly-V, (137mm), 12 VDC, Direct Mount, GM Pad Fittings





**4.18 SELTEC, TM-26, (R12)**

AC501-218	Compressor, TM-26, (2) "A" Gr., 12 VDC, Horiz. Flow - <b>(Supersedes to 17-31244-00 (TM-31))</b>
AC501-218A	Compressor, TM-26, (2) "A" Gr., 12 VDC, Horiz. Flow - <b>(Supersedes to 17-31244-00 (TM-31))</b>
THE LETTER "A" OR "B" AT END OF THE PART # (EX. AC501-224A) MEANS THAT THE COMPRESSOR IS SUPPLIED WITH FITTINGS AND O-RINGS	

**4.19 SELTEC, TM-26, (R134a)**

AC501-277A	Compressor, TM-26, (2) "A" Gr., 12 VDC, Horizontal O-Ring <b>(Supersedes to 17-31244-00)</b>
AC501-277B	Compressor, TM-26, (2) "A" Gr., 12 VDC, Horizontal O-Ring, (Str. Ftgs.) <b>(Supersedes to 17-31244-00)</b>
AC502-213A	Compressor, TM-26, (8) Gr. Poly-V, 12 VDC, Horizontal O-Ring <b>(Supersedes to 18-60012-11)</b>
THE LETTER "A" OR "B" AT END OF THE PART # (EX. AC501-224A) MEANS THAT THE COMPRESSOR IS SUPPLIED WITH FITTINGS AND O-RINGS AS A KIT	

**4.20 SELTEC, TM-26 PARTS**

AC501-221	Pulley, Clutch, (2) "A" Groove, With (Armature) Plate
AC501-253	Shaft Seal,Kit, Carbon Type
AC051-1173	Clutch, Assembly, (8) Gr. Poly-V, With (Armature) Plate, (No Coil)



4.21 SELTEC, TM-31, (R134a)



17-31244-00	Compressor, TM-31, (2) "A" Gr., 12 VDC, Direct Mount, Horizontal O-Ring
18-60012-09	Compressor, TM-31, (2) "B" Gr., 12 VDC, Direct Mount, Horizontal O-Ring <b>(Supersede to Y61-Q3101-00)</b>
17-31248-00	Compressor, TM-31, (8) Gr. Poly-V, 12 VDC, Direct Mount, Horizontal O-Ring, <b>(Superseded to 18-60012-11)</b>

4.22 QUE COMPRESSORS (Alternative Compressor for Valeo TM31 Line)

**QUE Compressors**  
**(Alternative Compressor for Valeo TM31 Models)**

QUE Part #	TM16 Part #	Description
Y61-Q3101-00	18-60012-09	Compressor, (2) "B" Gr., 12 VDC, Direct Mount, Horizontal O-Ring,

4.23 SELTEC, TM-31 PARTS



17-31262-00	Clutch Assembly, TM-31, (8) Gr. Poly-V, 158mm, 5 Eye, 12 VDC
-------------	--



4.24 YORK COMPRESSORS & PARTS



AC501-201A

AC501-201A Compressor, York, EF-210, (2) "A" Gr., 12 VDC, Horizontal Flow

THE LETTER "A" OR "B" AT END OF THE PART # (EX. AC501-224A) MEANS THAT THE COMPRESSOR IS SUPPLIED WITH FITTINGS AND O-RINGS

4.25 ALMA, A-6, (R134a)



18-00073-01

AC502-216 Compressor, A-6, (1) "A" Gr., 12 VDC

18-00073-00 Compressor, A-6, 6 Groove Poly-V, 12 VDC

18-00073-01 Compressor, A-6, 8 Groove Poly-V, 12 VDC



4.26 ALMA, A-6 PARTS



50-50062-00 Clutch Armature (Driver) & Key



50-50070-00 Clutch Assembly, 8 Groove Poly-V, 12 VDC, 4.81 Inch O.D.



50-50072-00 Clutch Assembly, 6 Groove Poly-V, 12 VDC, 5.5 Inch O.D.

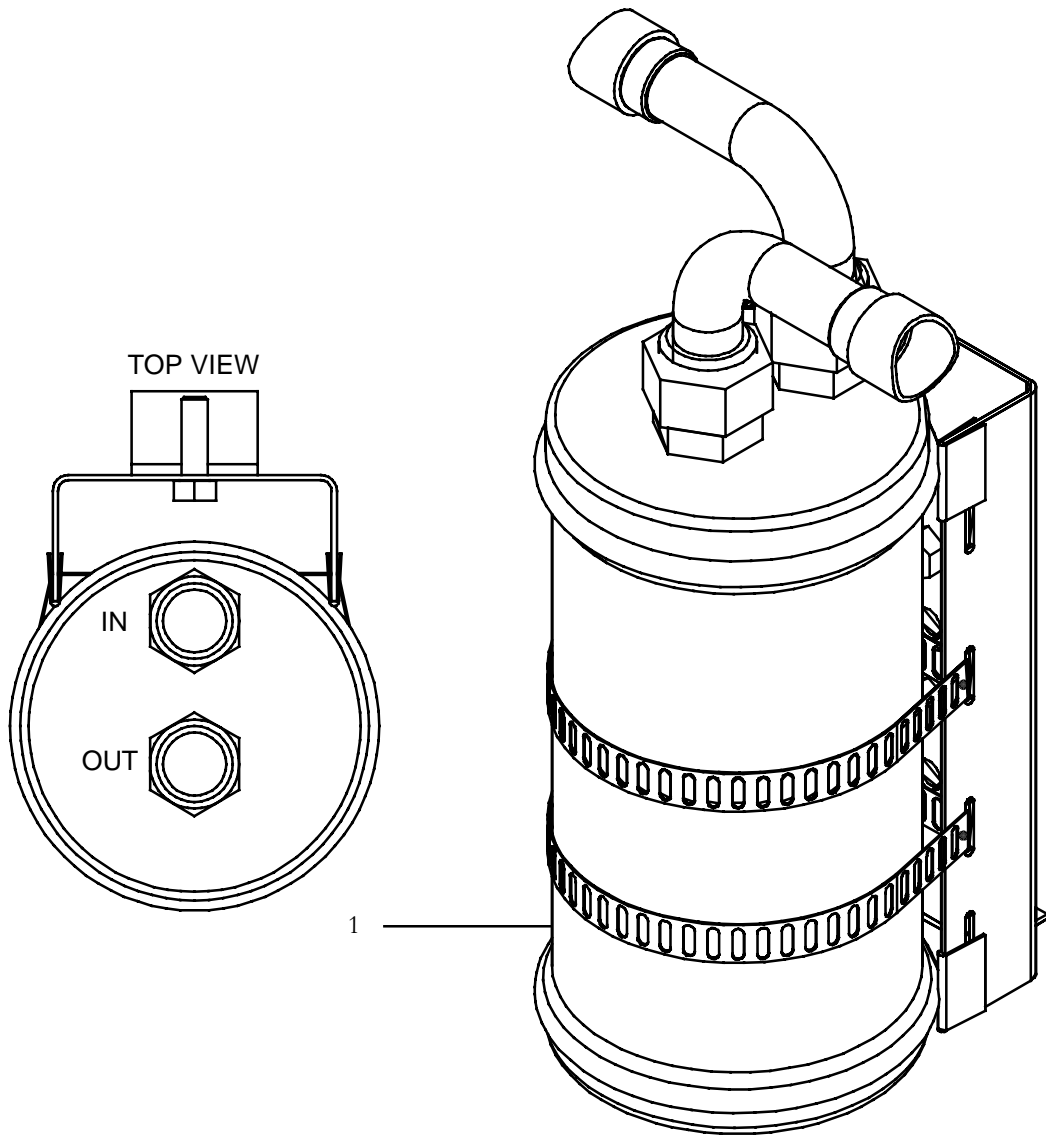
4.27 OIL - COMPRESSOR

46-50004-00 ISO 150 PAG For Alma Products A6 Compressors Using R-134a (250CC Metal Can)

46-50006-00 ISO 46 PAG For Seltec TM-15, 16, 21 & 31 and Sanden SD7 (1Quart Metal Can)



4.28 SUCTION LINE ACCUMULATOR

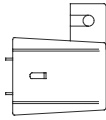


Item	Part Number	Description	Qty
1	65-62004-00	Accumulator, Suction Line	1

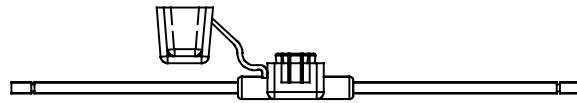


SECTION 5 - ELECTRICAL

5.1 FUSE AND FUSE HOLDERS



ATC Fuse Holder

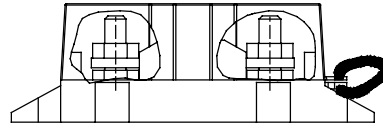


JCASE Fuse Holder

Part Number	Description
22-02336-06	Fuse, 15 AMP, ATC
22-62328-00	Fuse, 40 AMP, JCASE
22-62328-01	Fuse, 30 AMP, JCASE
22-62328-02	Fuse, 25 AMP, JCASE
22-62328-03	Fuse, 20 AMP, JCASE

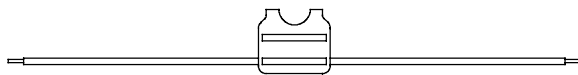


Mega - Series  
22- 02336- 15 or 31

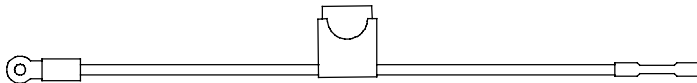


Mega - Series  
22-02898-00

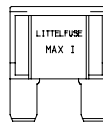
22-62119-00	Assembly, Fuse Holder, 10 AMP/ ATC-Series
22-62119-01	Assembly, Fuse Holder, 15 AMP/ ATC-Series
22-62119-02	Assembly, Fuse Holder, 20 AMP/ ATC-Series
22-02336-02	Fuse, 5 AMP/ ATC-Series
22-02336-04	Fuse, 10 AMP/ ATC-Series
22-02336-06	Fuse, 14 AMP/ ATC-Series
22-02336-01	Fuse, 20 AMP/ ATC-Series
22-02338-02	Fuse Holder, #16 AWG Stranded, (In-Line ATC Series)
22-62110-00	Fuse Holder, With Cover, (In-Line Maxi Series)
22-02898-00	Fuse Holder, With Cover (Mega- Series) Surface Mount
22-02336-15	Fuse, 150 AMP/ Mega- Series
22-02336-31	Fuse, 100 AMP/ Mega- Series
22-02336-17	Fuse, 60 AMP/ Maxi- Series



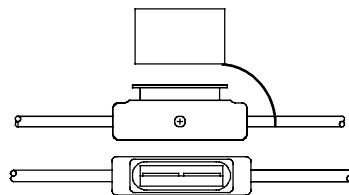
22- 02338



22- 62119  
ATC - Series



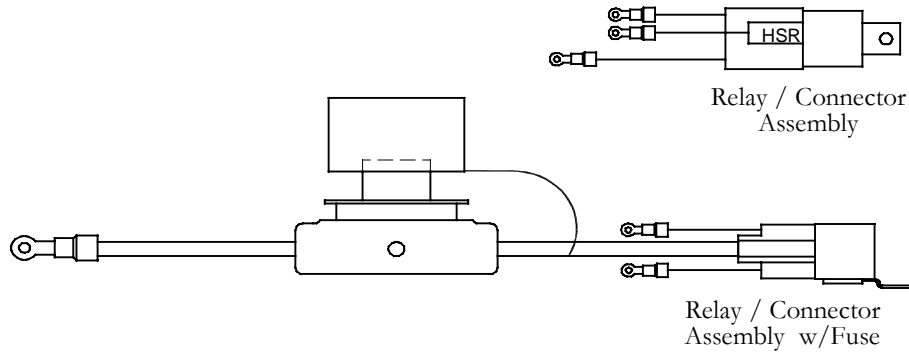
Maxi - Series  
22- 02336- 17



Maxi - Series  
22-62110-00

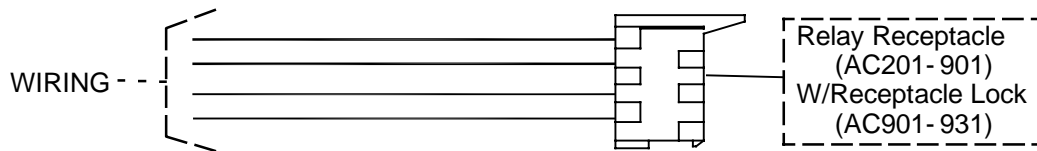


**5.2 RELAY ASSEMBLIES, 70 Amp**



Part Number	Description
22-62210-00	Relay/Connector Assembly, (HSR), (With Wiring) - Includes:
Y25-00089-00	Relay, 70 Amp (12VDC)
22-62210-02	Connector/Wiring Assembly, (HSR), <b>(Less Relay)</b> - Includes:
22-50078-18	Connector, Relay
NSI	Label, HSR (High Speed Relay)
22-62210-01	Relay/Connector Assembly, (HSR), With Wiring & Fuse- Includes:
Y25-00089-00	Relay, 70 Amp (12VDC)
22-62210-03	Connector/Wiring/Fuse Holder Assembly, (HSR), <b>(Less Relay)</b> - Includes:
22-50078-18	Connector, Relay
22-62110-00	Fuse Holder, With Cover
22-02336-17	Fuse, 60 Amp
NSI	Label, HSR (High Speed Relay)
22-62210-04	Relay/Connector Assembly, (CR), With Wiring, - Includes:
Y25-00089-00	Relay, 70 Amp (12VDC)
22-62210-05	Relay/Connector Assembly, (MSR), With Wiring, - Includes:
Y25-00089-00	Relay, 70 Amp (12VDC)

**5.3 RELAY CONNECTOR ASSEMBLIES, (40/50 Amp)**

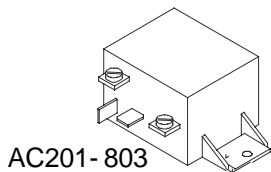


Part Number	Description
AC201-922	Connector Assembly, High Speed Relay, 4 Prong
22-62238-00	Connector Assembly, Medium Speed Relay, 4 Prong
22-62238-01	Connector Assembly, Low Speed Relay, 4 Prong
22-62238-02	Connector Assembly, Clutch Relay, 4 Prong
22-62238-03	Connector Assembly, Condenser Relay, 4 Prong

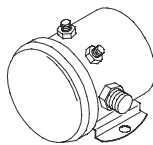




**5.4 RELAYS - SOLENOIDS**



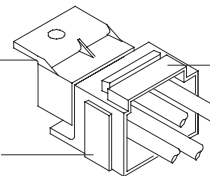
AC201-803



AC201-800

10-00286-00  
RELAY

AC201-901  
CONNECTOR

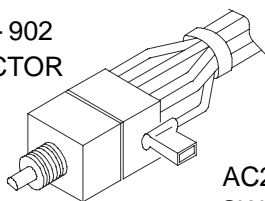


AC201-931  
LOCK

Part Number	Description
AC201-800	Contactora, Solenoid, 12 VDC, 70 AMP (With Nuts & Washers)
AC201-803	Contactora, Solenoid, 24 VDC, 50 AMP
AC201-804	Relay, 5 Prong, 24 VDC, 30 AMP
AC201-805	Solenoid, Choke, 12VDC
AC201-812	Contactora, Relay, 12 VDC, 20/30 AMP
10-00286-00	Relay, 4 Prong, 12 VDC, 40 AMP, With Bracket
10-00286-03	Relay, 5 Prong, 12 VDC, 30 AMP, With Bracket
10-00286-09	Relay, 5 Prong, 24 VDC, 40 AMP, No Bracket
10-00286-12	Relay, 5 Prong, 24 VDC, 40 AMP, No Bracket
10-00286-14	Relay, 5 Prong, 12 VDC, 50 AMP, With Bracket, (Arc Suppression Diode)
Y25-00001-05	Relay, 5 Prong, 12 VDC, 50 AMP, No Bracket
10-00286-15	Relay, 5 Prong, 12 VDC, 40 AMP, With Bracket, (Arc Suppression Diode)
Y25-00089-00	Relay, 4 Prong, 12 VDC, 70 AMP, With Bracket

**5.5 SWITCHES**

AC201-902  
CONNECTOR



AC201-305  
SWITCH

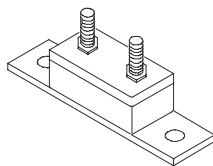
NOTE:  
USE AC201-902 CONNECTOR  
WITH AC201-305

Part Number	Description
AC201-302	Switch, Toggle, SPDT, (ON-OFF-ON)
AC201-303	Switch, Toggle, SPST, (OFF-ON)
AC201-305	Switch, Rotary, Heavy Duty, (Double Nuts)





**5.6 CIRCUIT BREAKER**



CIRCUIT BREAKER COLOR CODE

20 AMP - YELLOW DOT  
 30 AMP - GREEN DOT  
 40 AMP - RED DOT  
 50 AMP - WHITE DOT

CIRCUIT BREAKER IDENTIFICATION



TYPE III - MANUAL RESET - RESETS WHEN EXTERNAL BUTTON IS PUSHED.



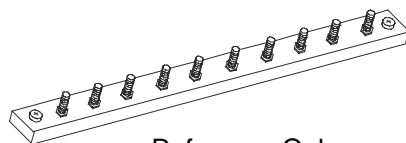
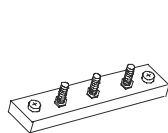
TYPE II - RESETS WHEN OVERCURRENT IS CORRECTED OR REMOVED.



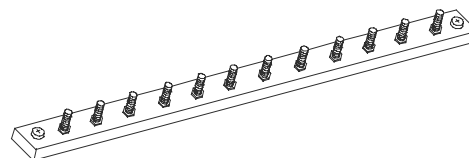
TYPE I - AUTOMATIC RESET CYCLES CONTINUOUSLY.

Part Number	Description
AC201-109	Circuit Breaker, 0.5 AMP, Manual Reset
AC201-121	Circuit Breaker, 20 Amp, Type I
AC201-105	Circuit Breaker, 20 AMP, Manual Reset, Type III
AC201-105-1	Circuit Breaker, 10 AMP, Manual Reset, Type III
AC201-113	Circuit Breaker, 20 Amp, Thermal Reset, (Panel Mount)
AC201-101	Circuit Breaker, 30 Amp, Type II
AC201-106	Circuit Breaker, 30 AMP, Manual Reset, Type III
AC201-119	Circuit Breaker, 40 Amp, Type I
AC201-112	Circuit Breaker, 40 AMP, Manual Reset, Type III
AC201-102	Circuit Breaker, 50 Amp, Type II, <b>(Supersedes to AC201-107)</b>
AC201-107	Circuit Breaker, 50 AMP, Manual Reset, Type III

**5.7 TERMINAL BOARDS**



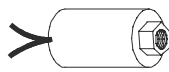
Reference Only



22-02897-00	Terminal Board, 3 Position, 300 VDC, 30 Amp (Replaces 22-01334-00)
22-02897-07	Terminal Board, 10 Position, 300 VDC, 30 Amp (Replaces 22-01334-07)
22-02897-09	Terminal Board, 12 Position, 300 VDC, 30 Amp (Replaces 22-01334-09)
22-02897-11	Terminal Board, 14 Position, 300 VDC, 30 Amp (Replaces 22-01334-11)
22-02897-13	Terminal Board, 16 Position, 300 VDC, 30 Amp (Replaces 22-01334-13)



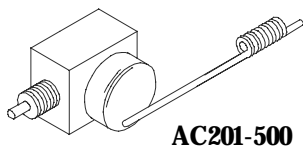
**5.8 PRESSURE SWITCHES**



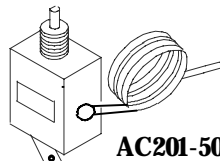
Pressure switch (Female)

Part Number	Description
AC201-400	Switch, High, Female, 350-250 PSI, (GEN-I & GEN-II)
AC201-408	Switch, High, Female, 400-300 PSI
AC201-414	Switch, High, Female, 400-300 PSI, (GEN III & GEN 4)
AC201-404	Switch, Low, Female, 10-25 PSI, (GEN I & GEN II)
AC201-412	Switch, Low, Female, 10-25 PSI, (GEN III & GEN 4)
AC201-409	Switch, Low, Female, 40-80 PSI
AC201-410	Switch, Low, Female, 60 PSI
AC201-403	Switch, Oil Pressure, (DM Series)

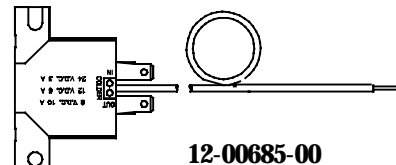
**5.9 THERMOSTATS**



AC201-500



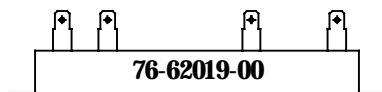
AC201-501



12-00685-00

AC201-500	Thermostat, Air, (With 2 Nuts)
AC201-501	Thermostat, Coil, Insert, (With 2 Nuts)
22-62007-00	Temperature Selector Assembly
12-00685-00	Thermostat, Non-Adjustable, Gen 5

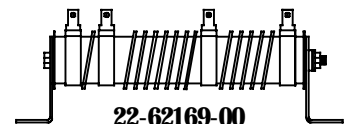
**5.10 DIODES-LIGHTS-RESISTORS**



76-62019-00



AC201-600



22-62169-00

Part Number	Description
AC201-600	Diode, In line, 6 AMP
AC201-616	Light, LED, Red, 24 VDC
AC201-609	Resistor, 1.6 OHM, 3 Post
AC201-610	Resistor, 2.5 OHM, (For AC401-200 Blower Assembly)
AC201-623	Resistor, 1 OHM, With Bracket, (For AC401-205 Blower Assembly)
76-62019-00	Resistor, Kit, 1.8 OHM, 4 Post, GEN 4 Evaporators, (AC201-611)
22-62169-00	Resistor, 0.815 OHM, 220 Watt, 4 Post, Gen V Evaporators, (3 Speed)

**5.11 GAUGES-SENDERS**

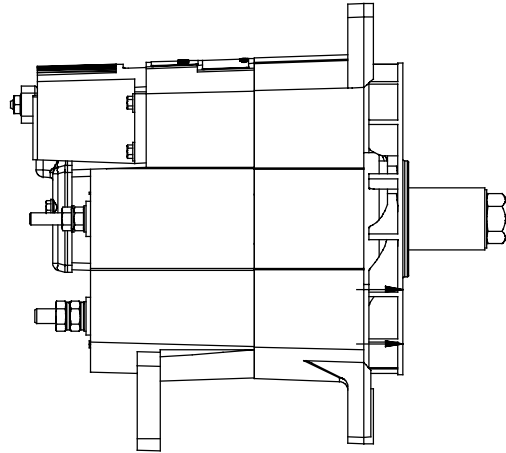
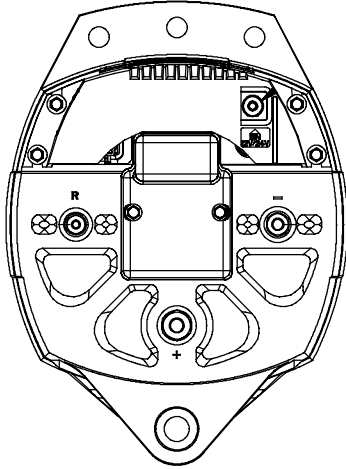
AC201-702	Gauge, Oil Pressure, Round (Cummins)
AC201-706	Gauge, Temperature Switch, Round, (Diesel Engine) (Includes: 3/8 Inch NPT Adapter)
AC201-707	Gauge, Temperature Switch, Round, (Gas Engine)
AC201-703	Sender, Oil Pressure, (Florida Specs.-Cummins)



5.12 HARNESS, ELECTRICAL	
AC201-905	Harness, Condenser Motor
AC201-910	Harness, Condenser, Black Jacket, (Gen IV)
AC201-921	Harness, Evaporator, Gray X Ft.
22-62101-00	Cable, Evaporator, Gen 5 - GSA, Orange Jacket
22-62102-00	Cable, Evaporator, Gen 5 - GSA, White Jacket <b>(NSI)</b>
22-62103-00	Cable, Condenser, Gen 5 - GSA, Red Jacket
5.13 CONNECTORS, ELECTRICAL	
10-50052-00	Block, Junction, Stud-Type, 3/8-16, Black
10-50052-01	Block, Junction, Stud-Type, 3/8-16, Red



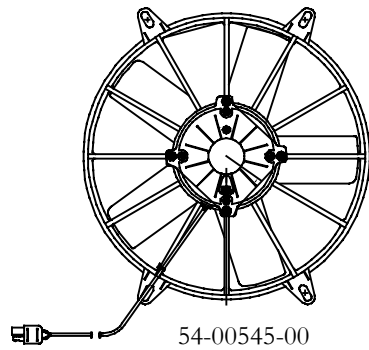
5.14 ALTERNATOR, BATTERYLESS, 24VDC



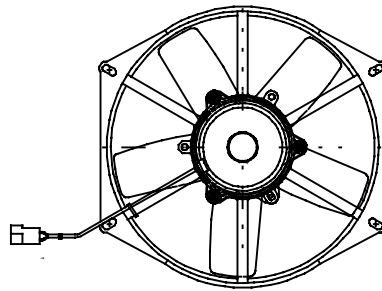
Part Number	Description
30-62004-00	Alternator, 24 VDC Batteryless



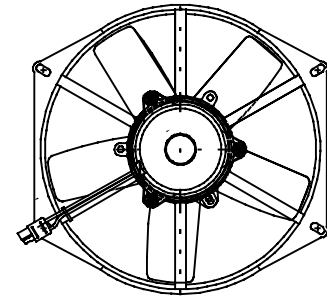
5.15 FAN BLADES AND FAN ASSEMBLIES



54-00545-00

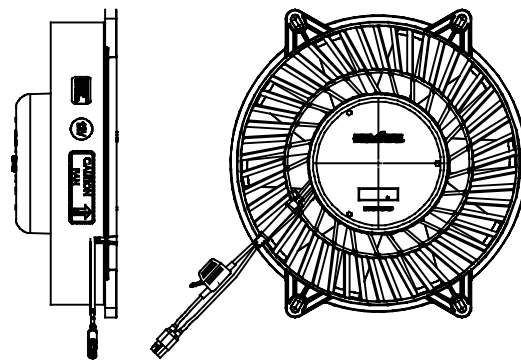


54-00545-01



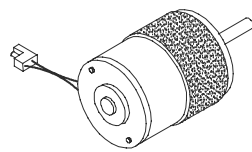
54-00545-02

AC401-100	Blade, Fan, 10 inch, 35, Condenser
AC401-110	Assembly, Fan, Condenser, 11 inch, 12 VDC, <b>(Supersedes to 54-00618-01)</b>
54-00545-00	Assembly, Fan, Condenser, 11 inch, 24 VDC, (SPAL)
54-00618-01	Fan & Motor Assembly, Vector, 12V With 20 Amp Fuse (No Replacement Motor) Includes:
22-02336-25	Fuse, 20 Amp



54-00618-01

5.16 MOTORS

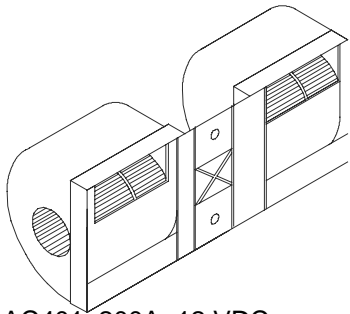


AC501-102 (12 VDC)  
AC501-103A, (24 VDC)

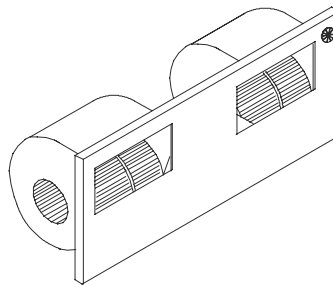
AC501-102A	Motor, Condenser, 12 VDC, 2-1/2 Diameter With Gasket
AC501-103A	Motor, Condenser, 24 VDC, 2-1/2 Diameter With gasket
AC501-122	Motor, Evaporator, 12 VDC, (EM-10 & EM-17) - Includes:
22-50091-00	.....Brush, Motor
04-50023-00	.....Bearing, Motor
54-50080-00	Motor, Condenser, 12 VDC, <b>(Supersedes to 54-00618-01)</b>



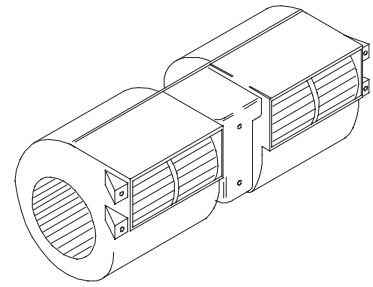
5.17 BLOWER ASSEMBLIES



AC401-200A, 12 VDC  
AC401-201A, 24 VDC



54-00546-03

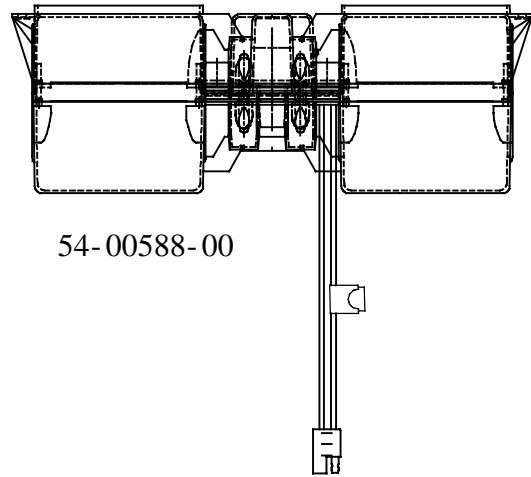
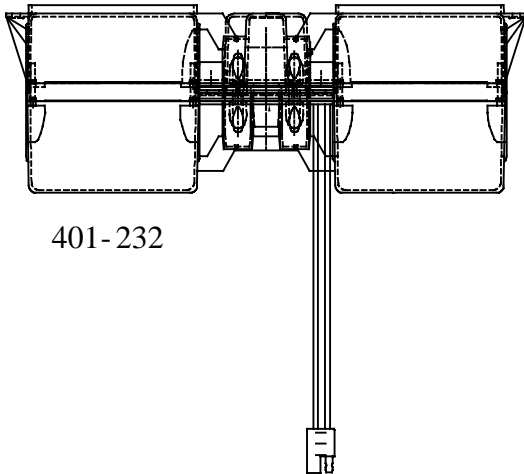
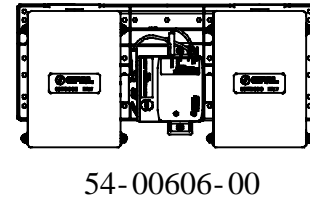
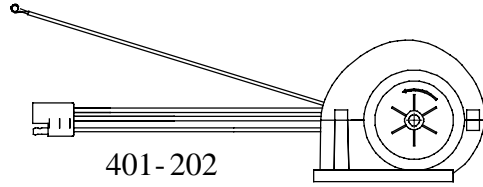
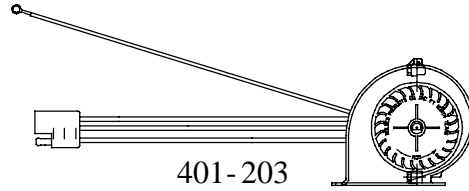
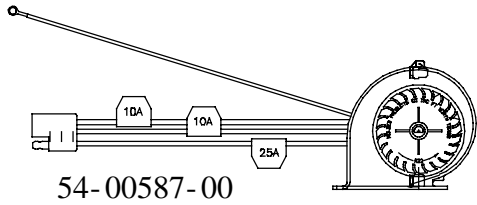


AC401-209A, 12 VDC  
AC401-210A, 24 VDC

Part Number	Description
AC401-200A	Assembly, Blower, Dual, 12 VDC, GEN I Replacement Kit
AC401-204	Assembly, Blower, Dual, 24 VDC, GEN II, (EM-14)
54-00546-03	Assembly, Blower, Dual, 24 VDC, (EM-21 / EM-22 / EM-30)
AC401-209A	Assembly, Blower, Dual, 12 VDC, GEN II, (EM-1 / EM-2 / EM-3 / EM-6)
AC401-210A	Assembly, Blower, Dual, 24 VDC, GEN II, (EM-1 / EM-2 / EM-3 / EM-6)
AC401-214	Clip, Mounting, Use With 401-200
AC401-215	Blower Wheel, (EM-10)
AC401-217	Venturi Ring, (EM-10)
AC401-220	Blower Wheel, EM-10, Driver's Side
AC401-221	Assembly, Blower, Dual, 12 VDC, GEN III, (EM-1 / EM-2 / EM-3 / EM-6)
AC401-222	Assembly, Blower, Dual, 12 VDC, GEN III, (EM-1 / EM-2 / EM-3 / EM-6)
AC401-229	Assembly, Blower, Dual, 24 VDC, GEN III, (EM-14)
AC040-074	Assembly, Blower, Dual, 12 VDC, (EM-21) (Also Replacement Number AC401-202)
AC401-202	Assembly, Blower, Dual, 12 VDC, (IW-1)



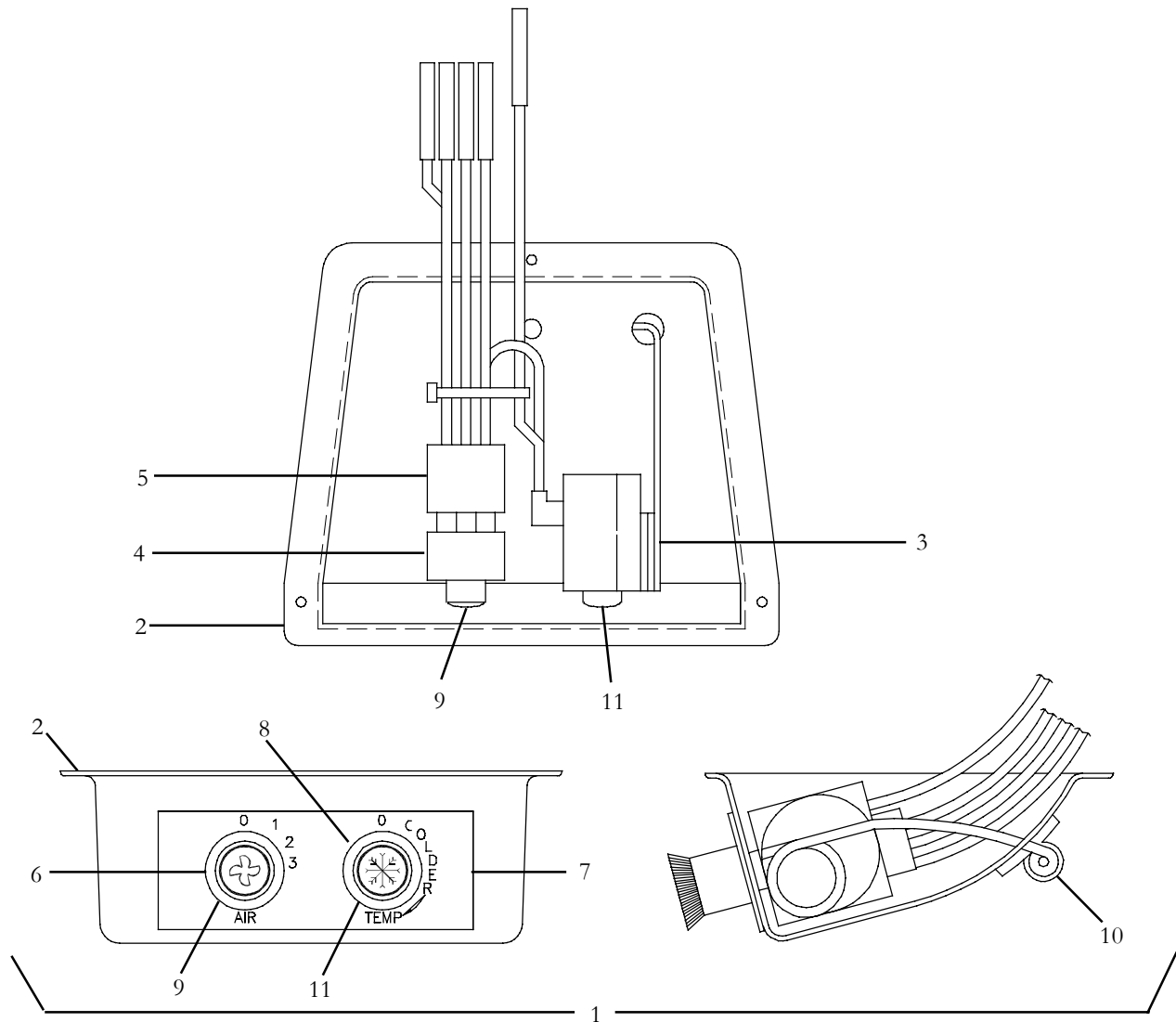
5.17 BLOWER ASSEMBLIES - Continued



Part Number	Description
AC040-074	Fan & Motor Assembly, 12 VDC, EM-21, EM-22 & !W-1
AC401-203	Fan & Motor Assembly, 12 VDC, GEN II, EM-14
AC401-232	Fan & Motor Assembly, 12 VDC, GEN 4, (EM-1 / EM-2 / EM-3 / EM-6)
AC401-233	Fan & Motor Assembly, 24 VDC, GEN 4, (EM-1 / EM-2 / EM-3 / EM-6)
54-00588-00	Fan & Motor Assembly, 12 VDC, Fused, Gen 4, GSA
54-00606-00	Fan & Motor Assembly, 12 VDC, Permanent Magnet, IW-7



5.18 DRIVERS CONTROL PANEL (GEN 1 THROUGH GEN 4)

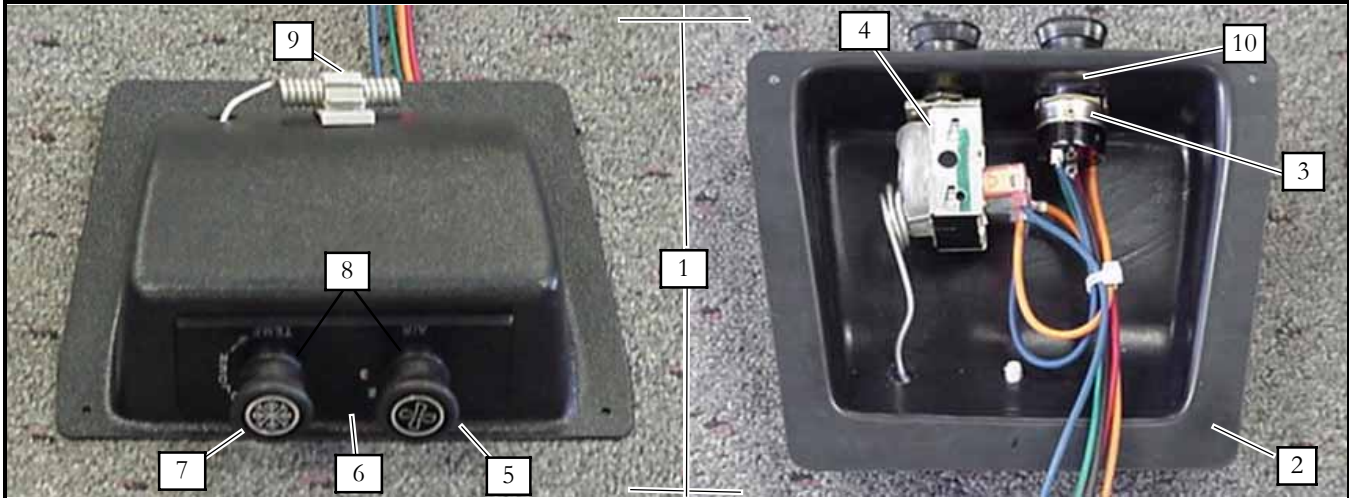


Item	Part Number	Description	Qty
1	AC010-006	Assembly, Drivers Control Panel, Includes:	1
2	AC010-204	.....Housing, Control Panel, Black, (Cover)	1
3	AC201-500	.....Thermostat, With Double Nut	1
4	AC201-305	.....Switch, Fan Speed	1
5	AC201-902	.....Harness, With 5 Position Connector, ( Fan Speed Switch)	1
6	AC202-300	.....Knob, Fan	1
7	AC202-301	.....Nameplate, plastic, Black	1
8	AC202-303	.....Knob, Snowflake	1
9	AC202-305	.....Nut, Cover, Dressing	2
10	AC701-206	.....Clamp, Thermostat Coil	1
11	AC202-307	.....Nut, Hex, 7/16-28 Thread	2
12	77-62135-00	Kit, Drivers Control Panel, (Items 3 through 11)	1





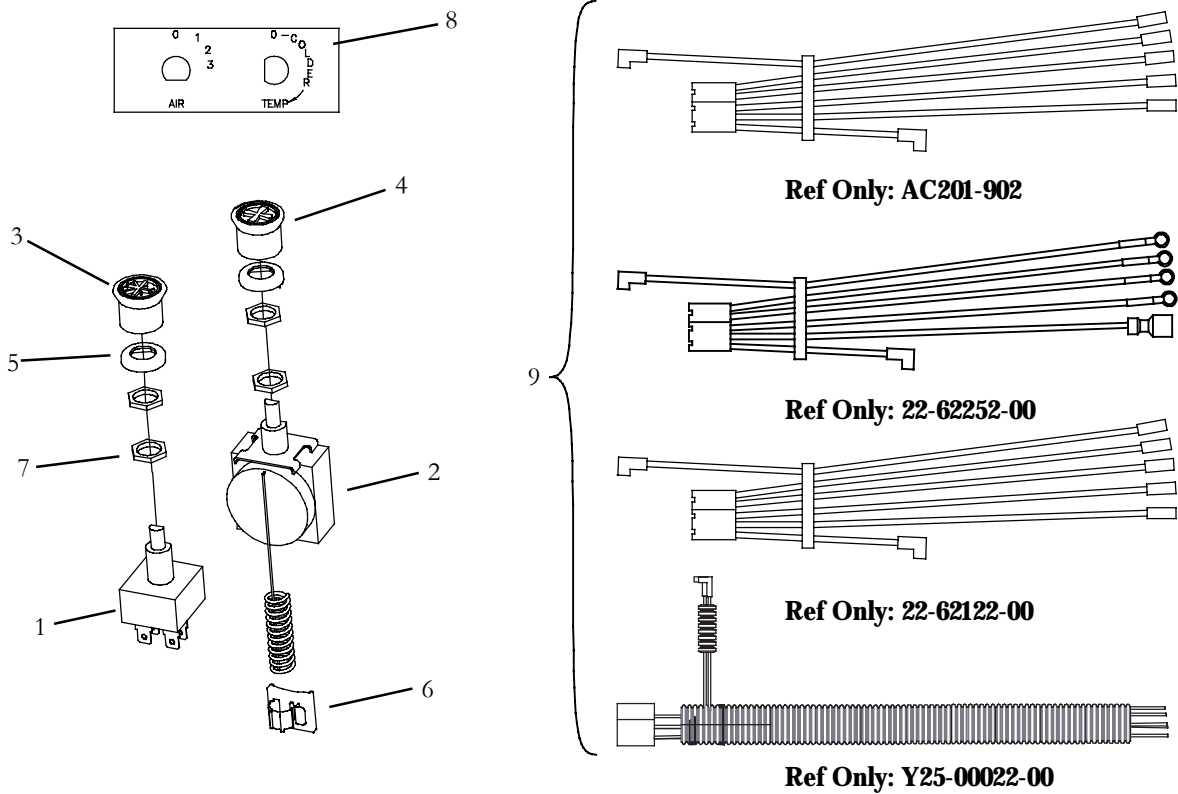
5.19 DRIVERS CONTROL PANEL GEN-5 (VARIABLE)



Item	Part Number	Description	Qty
1	91-62016-00	Assembly, Drivers Control Panel, Consisting Of:	1
2	AC010-204	.....Housing, Control Panel, Black	1
3	22-62131-00	.....Switch, Fan Speed	1
4	AC201-500	.....Thermostat, Control With Double Nut	1
5	AC202-300	.....Knob, Fan	1
6	AC202-301	.....Switchplate, Control Panel, Plastic, Black	1
7	AC202-303	.....Knob, Snowflake	1
8	AC302-305	.....Nut, Cover	2
9	AC701-206	.....Clamp, Thermostat Coil	1
10	AC202-307	..... Nut, Hex, (Fan Speed Switch)	2



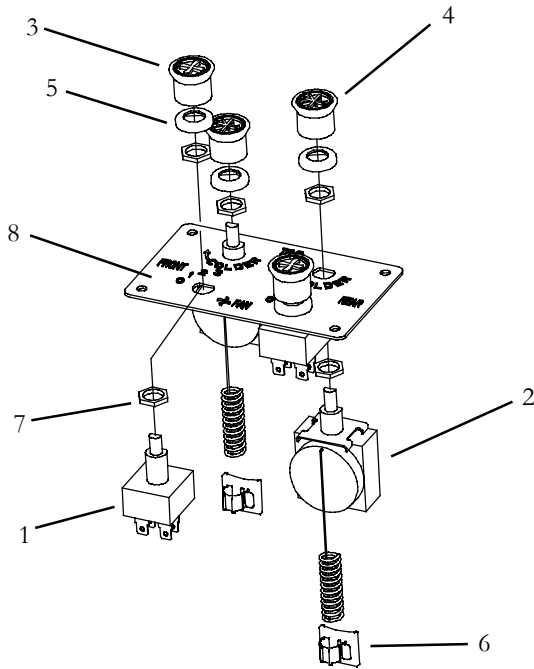
5.20 DRIVERS CONTROL PANEL KITS 77-62135-00, -01, -02, 03, -04 & -05



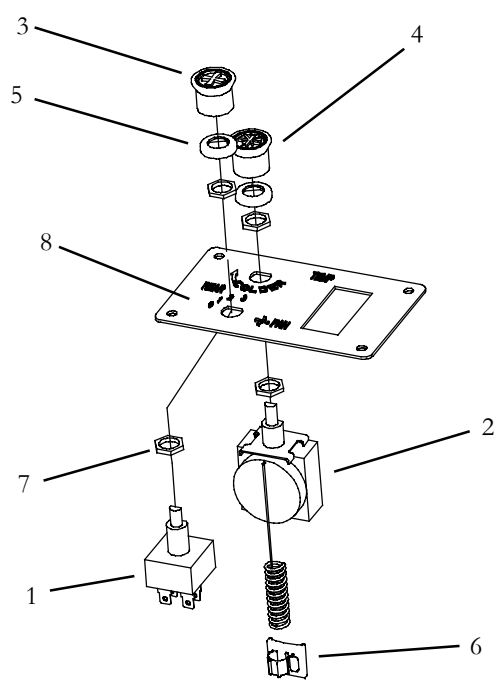
Item	Part Number	Description	Qty
-	77-62135-XX	Assembly, Drivers Control Panel, Consisting Of:	1
1	AC201-305	.....Switch, Fan Speed	1
2	AC201-500	.....Thermostat, Control With Double Nut	1
3	AC202-300	.....Knob, Fan	1
4	AC202-303	.....Knob, Snowflake	1
5	AC302-305	.....Nut, Cover	2
6	AC701-206	.....Clamp, Thermostat Coil	1
7	AC202-307	..... Nut, Hex, (Fan Speed Switch)	A/R
8	AC202-301	.....Switch Plate, Mounting	1
9	AC201-902	.....Wire Harness, Fan Speed Switch ( <b>77-62135-00 ONLY</b> )	1
	22-62252-00	.....Wire Harness, Fan Speed Switch ( <b>77-62135-01 ONLY</b> )	1
	22-62122-00	.....Wire Harness, Fan Speed Switch ( <b>77-62135-02 ONLY</b> )	1
	Y25-00022-00	.....Wire Harness, Fan Speed Switch ( <b>77-62135-05 ONLY</b> )	1



5.21 DRIVERS CONTROL PANEL KITS 77-62135-06 & -07



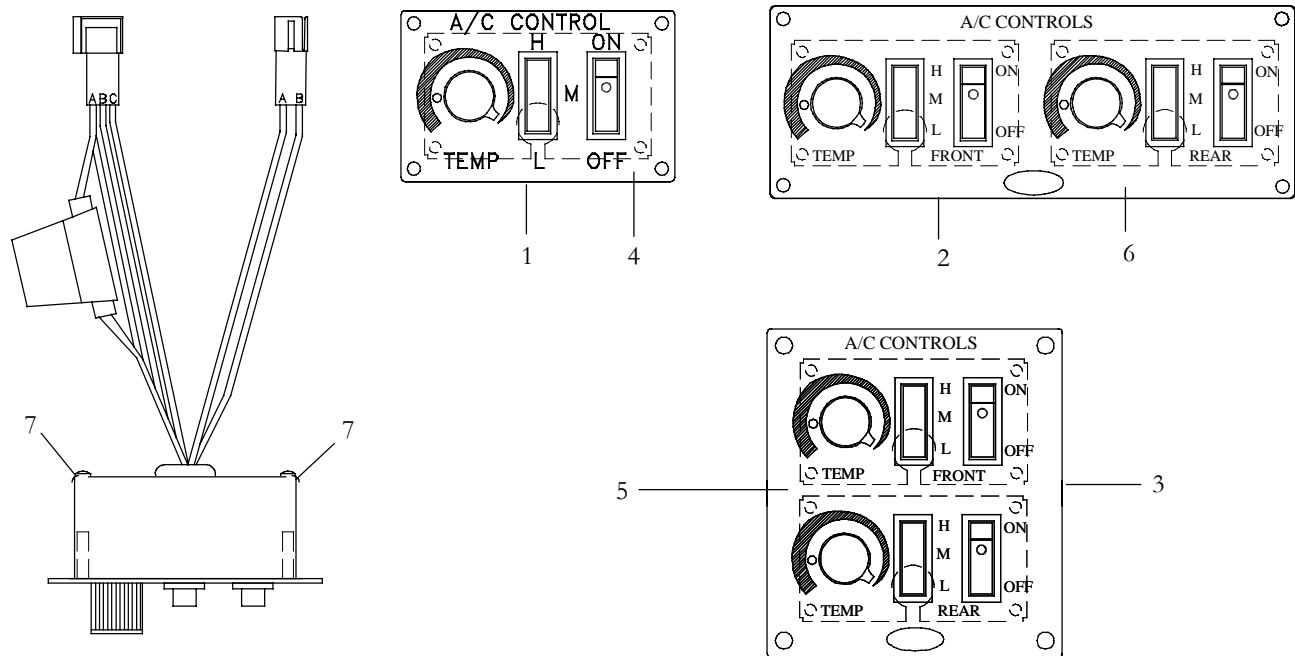
Ref: 77-62135-06



Ref: 77-62135-07

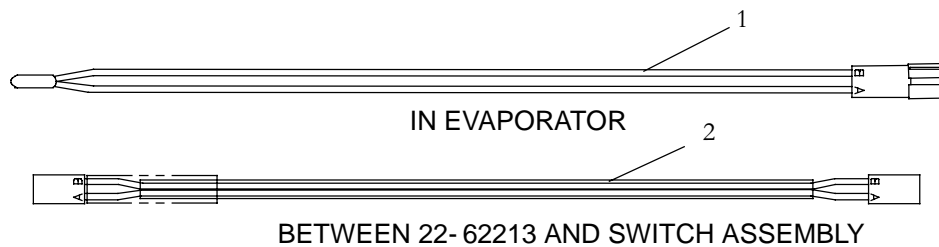
Item	Part Number	Description	Qty
-	77-62135-XX	Assembly, Drivers Control Panel, Consisting Of:	1
1	AC201-305	.....Switch, Fan Speed	A/R
2	AC201-500	.....Thermostat, Control With Double Nut	A/R
3	AC202-300	.....Knob, Fan	A/R
4	AC202-303	.....Knob, Snowflake	A/R
5	AC302-305	.....Nut, Cover	A/R
6	AC701-206	.....Clamp, Thermostat Coil	A/R
7	AC202-307	..... Nut, Hex, (Fan Speed Switch)	A/R
8	Y24-00196-00	.....Switch Plate, Mounting (Dual Circuit)	1
	Y24-00196-01	.....Switch Plate, Mounting (Single Circuit)	1

**5.22 TEMPCON CONTROL PANELS**



Item	Part Number	Description	Qty
1	22-62212-00	Switch Assembly, Tempcon, (Single)	1
2	22-62212-01	Switch Assembly, Tempcon, (Dual, Horizontal)	1
3	22-62212-02	Switch Assembly, Tempcon, (Dual, Vertical)	1
4	68-63540-00	Plate, Face (4 x 2.50)	1
5	68-63644-00	Plate, Face (4.38 x 4.88)	1
6	68-63644-01	Plate, Face (7.50 x 2.75)	1
7	68-63547-00	Cover, Back	2

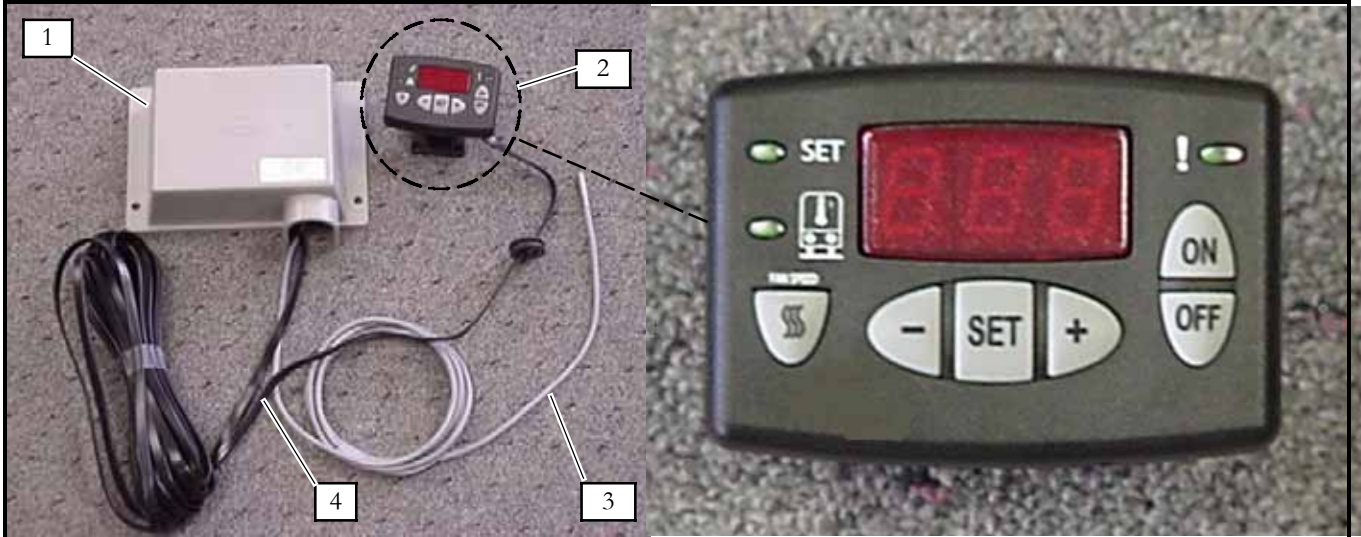
**5.23 Tempcon SENSOR ASSEMBLY (KITS)**



Part Number	Description	Qty	
1	22-62213-00	Sensor Assembly, Tempcon (13 Inch)	1
	22-62213-01	Sensor Assembly, Tempcon (46 Inch)	1
2	22-62214-30	Cable Assembly, Shielded, Tempcon, Florida Control (360 Inches)	1
	22-62214-58	Cable Assembly, Shielded, Tempcon, Florida Control (696 Inches)	1
	22-62214-68	Cable Assembly, Shielded, Tempcon, Florida Control (816 Inches)	1



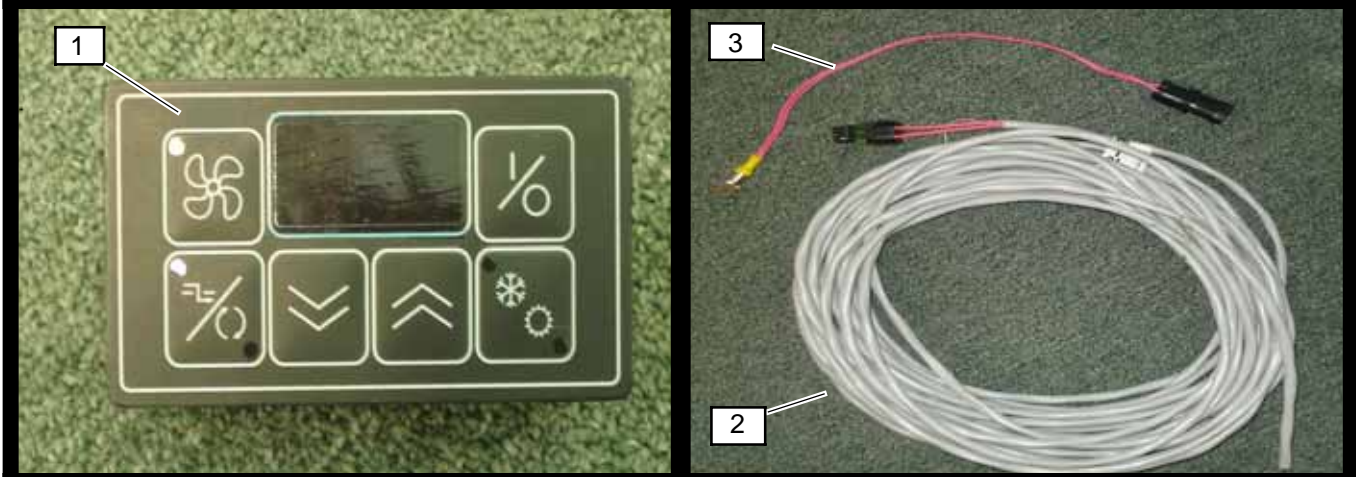
5.24 DRIVERS CONTROL PANEL, (TOTAL CONTROL)



Item	Part Number	Description	Qty
1	12-00567-00	Module, Logic	1
2	12-00570-00	Cab Command	1
3	12-00512-02	Sensor, Thermistor, (50 Ft.)	1
	12-00512-00	Sensor, Thermistor, (6.9 Ft.)	1
4	22-60551-07	Cable, Cab Command, (52 Ft.)	1
	22-60168-04	Cable, Cab Command, (32 Ft.)	1
	22-60168-03	Cable, Cab Command, (15 Ft.)	1
N/S	76-62139-00	Sensor Kit, Replacement, Includes:	1
	NSS	..... Sensor, Thermistor (5 Ft.)	1
	NSS	..... Butt Splice Connector, Insulated, (16-22 AWG)	2



5.25 DRIVERS CONTROL PANEL, (EnviroMATE)



Item	Part Number	Description	Qty
1	12-00672-00	Display, EnviroMATE, Small Bus, Zone 1	1
	12-00672-01	Display, EnviroMATE, EM-17	1
	12-00672-02	Display, EnviroMATE, Rooftop, Brushless Motors <b>(NSI)</b>	1
	12-00672-03	Display, EnviroMATE, Small Bus, 2 Zone, GSA Qualified	1
2	22-62290-00	Cable Assembly, Thermistor/Sensor (55 ft.), <b>(NSI)</b>	1
	22-62290-01	Cable Assembly, Thermistor/Sensor (30 ft.), <b>(NSI)</b>	1
	22-62290-02	Cable Assembly, Thermistor/Sensor (20 ft.), <b>(NSI)</b>	1
	22-62290-10	Cable Assembly, Thermistor/Sensor (4 ft.), TBB C2, <b>(NSI)</b>	1
3	12-00305-07	Sensor, Thermistor w/connector, (12")	1

**5.26 REPLACEMENT ELECTRICAL CONTROL PANELS, CROSS-REFERENCE MATRIX**

A listing of obsolete relay panels can be found below with the current replacement relay panel identified. Individual components can be found in referenced sections listed in Sections 5.27 and 5.32.

<b>OLD ELECTRICAL PANEL</b>	<b>NEW ELECTRICAL PANEL</b>
AC010-560	Y25-00012-00
AC010-561	
AC010-565	
91-62022-00	
91-62040-00	
AC010-566	Y25-00013-00
91-62017-00	
91-62046-00	
AC010-568	Y25-00014-00
AC010-570	
91-62018-00	
91-62019-00	
91-62023-00	
91-62045-00	
91-62052-00	

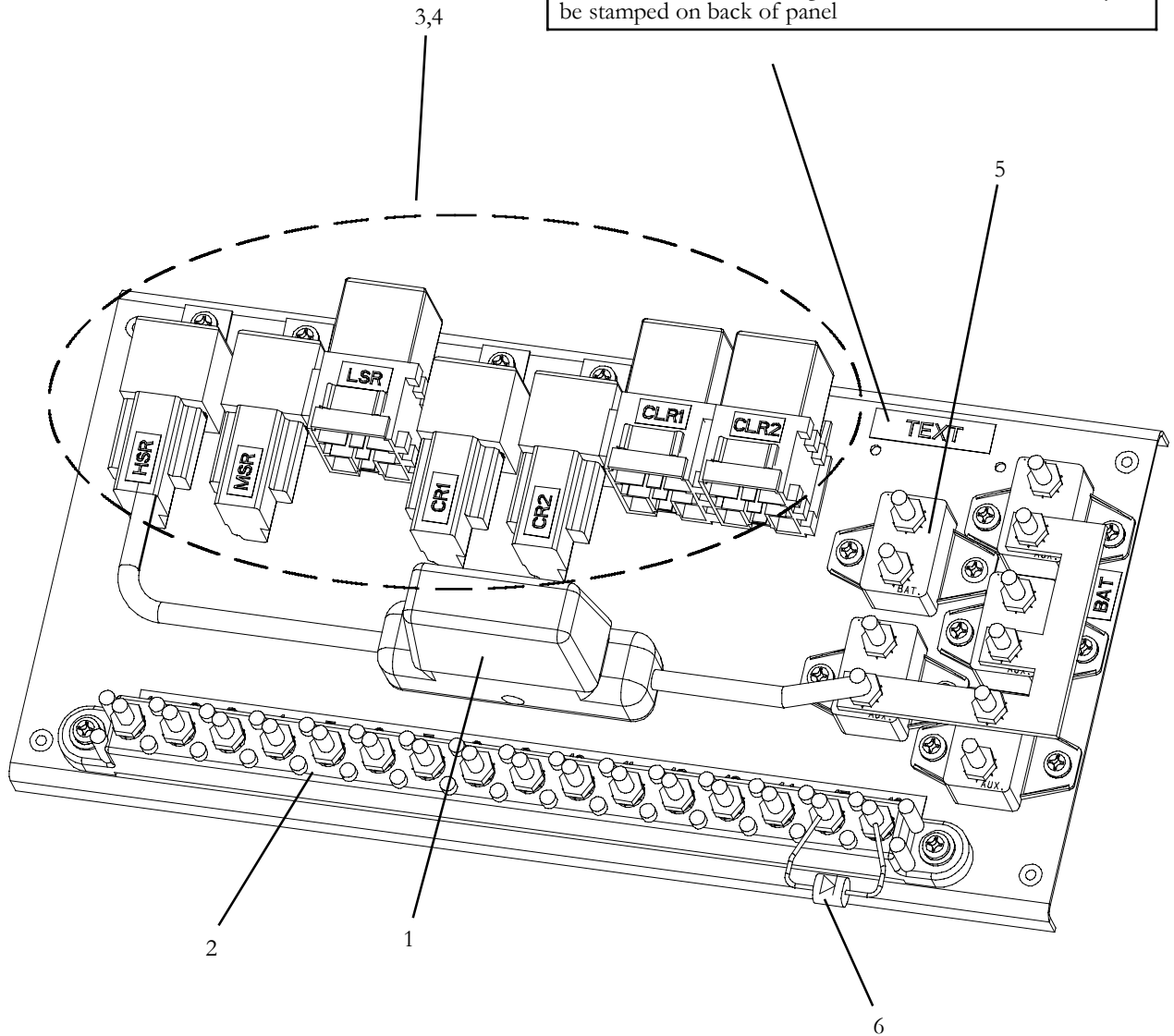
<b>OLD ELECTRICAL PANEL</b>	<b>NEW ELECTRICAL PANEL</b>
91-62027-00	Y25-00031-00
AC010-563	Y25-00032-00
91-62070-00	
91-62024-00	
91-62044-00	
91-62081-00	91-62110-00
91-62083-00	91-62111-00
91-62085-00	91-62112-00
91-62102-00	91-62113-00
91-62103-00	91-62114-00





5.27 ELECTRICAL CONTROL PANELS (TYPICAL)

NOTE: For Electrical Panel Assembly Part Number, refer to label shown. For older panels, Panel Part Number may be stamped on back of panel

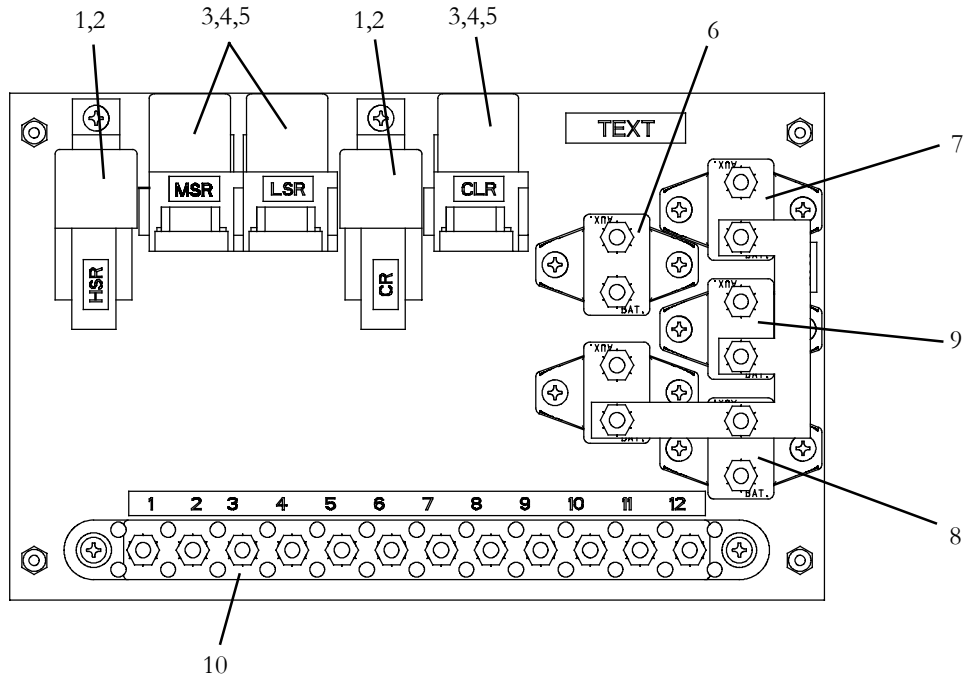


TYPICAL PANEL COMPONENTS  
REFERENCE ONLY

Item	Description
1	Fuses and Fuse Holders, <b>Refer to section 5.1</b> for proper replacement options
2	Terminal Boards, <b>Refer to section 5.7</b> for proper replacement options
3	Relays, <b>Refer to section 5.4</b> for proper replacement options
4	Relay Base Assemblies, <b>Refer to sections 5.2 and 5.3</b> for proper replacement options
5	Circuit Breakers, <b>Refer to section 5.6</b> for proper replacement options
6	Diodes, <b>Refer to section 5.10</b> for proper replacement options



**5.28 ELECTRICAL Panel, Y25-00012-00**

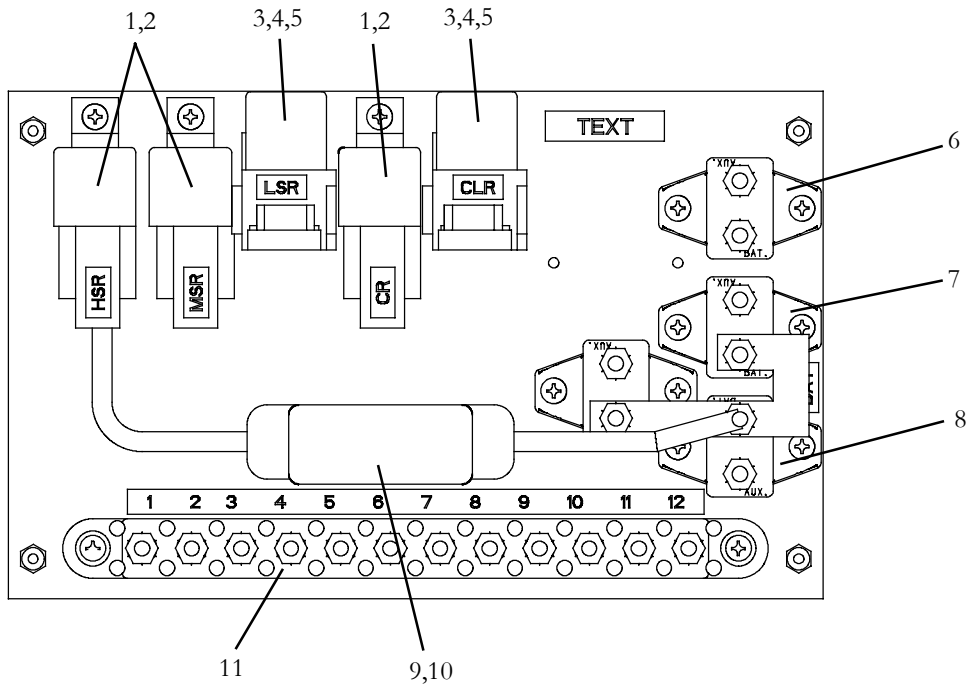


Used w/ 1EM w/1CM

Item	Description		
1	Y25-00089-00	Relay, 70A, 12VDC	2
2	22-50078-18	Connector, Relay Socket	2
3	Y25-00001-05	Relay, 50A, SPDT, 12VDC	3
4	AC201-901	Connector, Relay Socket	3
5	AC201-931	Connector Lock	3
6	AC201-105-1	Circuit Breaker, 10A Manual Reset	1
7	AC201-105	Circuit Breaker, 20A Manual Reset	1
8	AC201-112	Circuit Breaker, 40A Manual Reset	2
9	AC201-107	Circuit Breaker, 50A Manual Reset	1
10	22-02897-09	Junction Block, (12) #10-32	1



5.29 ELECTRICAL Panel, Y25-00013-00

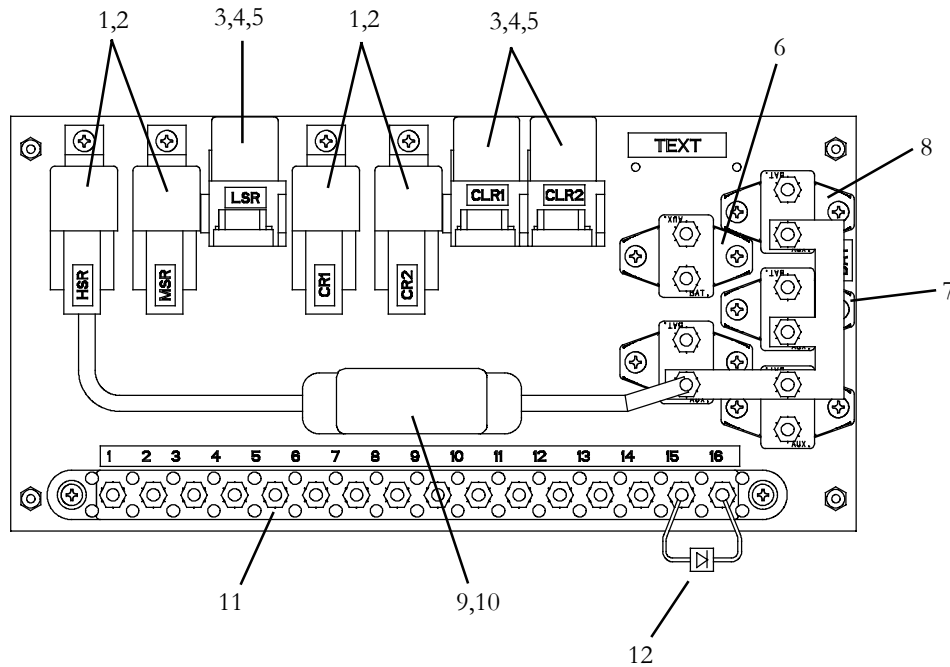


Used w/ 1 EM3 & 1 CM

Item	Description		
1	Y25-00089-00	Relay, 70A, 12VDC	3
2	22-50078-18	Connector, Relay Socket	3
3	Y25-00001-05	Relay, 50A, SPDT, 12VDC	2
4	AC201-901	Connector, Relay Socket	2
5	AC201-931	Connector Lock	2
6	AC201-105	Circuit Breaker, 20A Manual Reset	1
7	AC201-106	Circuit Breaker, 30A Manual Reset	1
8	AC201-112	Circuit Breaker, 40A Manual Reset	2
9	22-62110-00	Fuse Holder	1
10	22-02336-17	Fuse, 60A	1
11	22-02897-09	Junction Block, (12) #10-32	1



5.30 ELECTRICAL Panel, Y25-00014-00

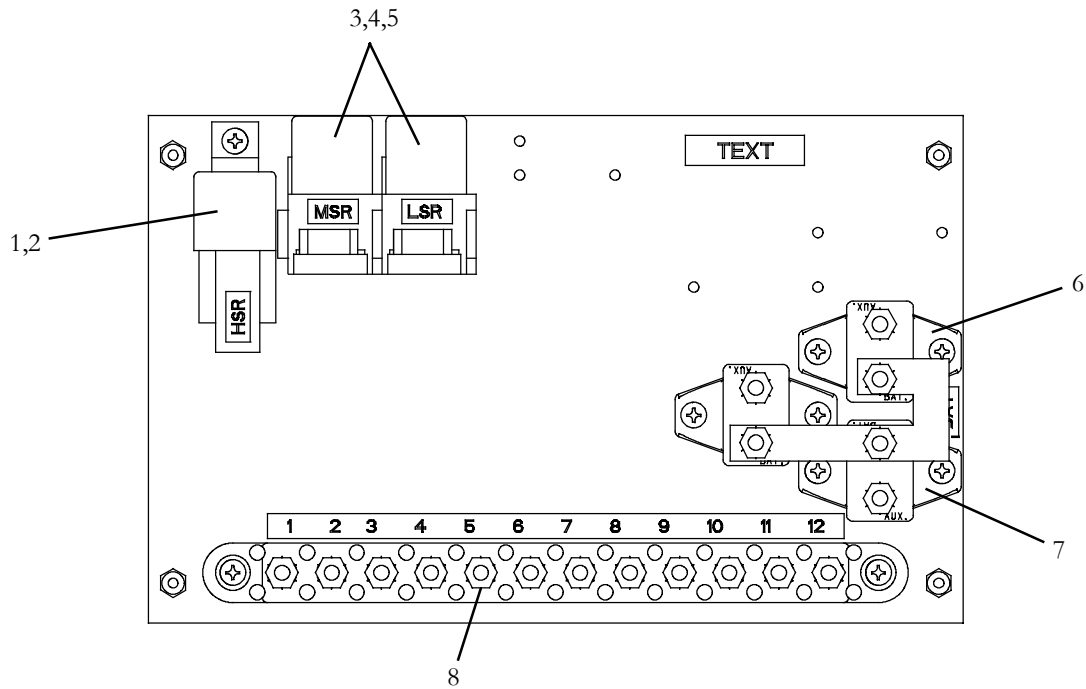


Used w/ EM3 and 2 CM

Item	Description		
1	Y25-00089-00	Relay, 70A, 12VDC	4
2	22-50078-18	Connector, Relay Socket	4
3	Y25-00001-05	Relay, 50A, SPDT, 12VDC	3
4	AC201-901	Connector, Relay Socket	3
5	AC201-931	Connector Lock	3
6	AC201-105	Circuit Breaker, 20A Manual Reset	1
7	AC201-106	Circuit Breaker, 30A Manual Reset	1
8	AC201-212	Circuit Breaker, 40A Manual Reset	3
9	22-62110-00	Fuse Holder	1
10	22-02336-17	Fuse, 60A	1
11	22-02897-13	Junction Block, (16) #10-32	1
12	AC201-600	In-Line Diode, 6 AMP	1



**5.31 ELECTRICAL Panel, Y25-00031-00**

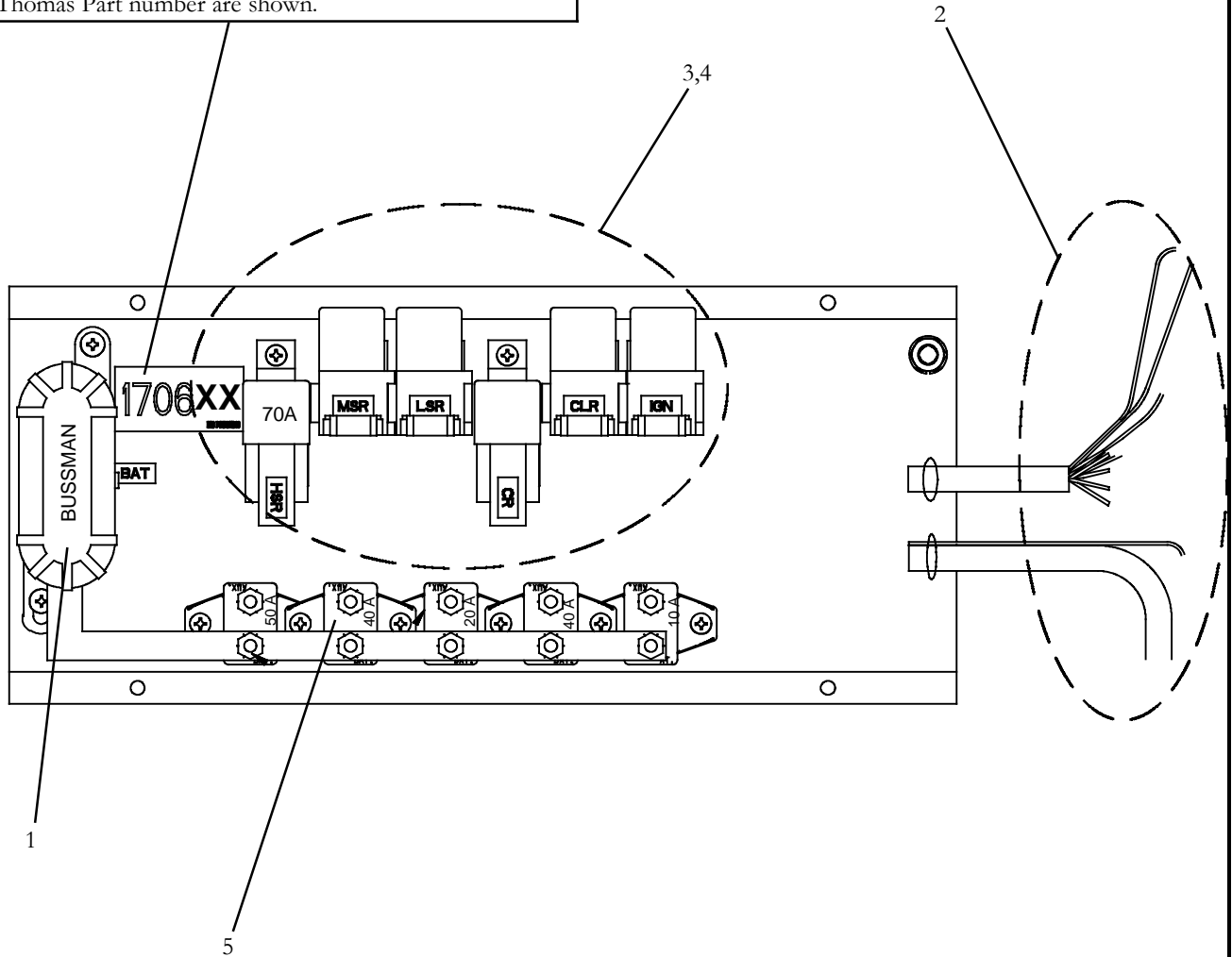


Used w/ Add On Evaporator

Item	Description		
1	Y25-00089-00	Relay, 70A, 12VDC	1
2	22-50078-18	Connector, Relay Socket	1
3	Y25-00001-05	Relay, 50A, SPDT, 12VDC	2
4	AC201-901	Connector, Relay Socket	2
5	AC201-931	Connector Lock	2
6	AC201-105	Circuit Breaker, 20A Manual Reset	2
7	AC201-212	Circuit Breaker, 40A Manual Reset	1
8	22-02897-09	Junction Block, (12) #10-32	1

**5.32 ELECTRICAL CONTROL PANELS (THOMAS)**

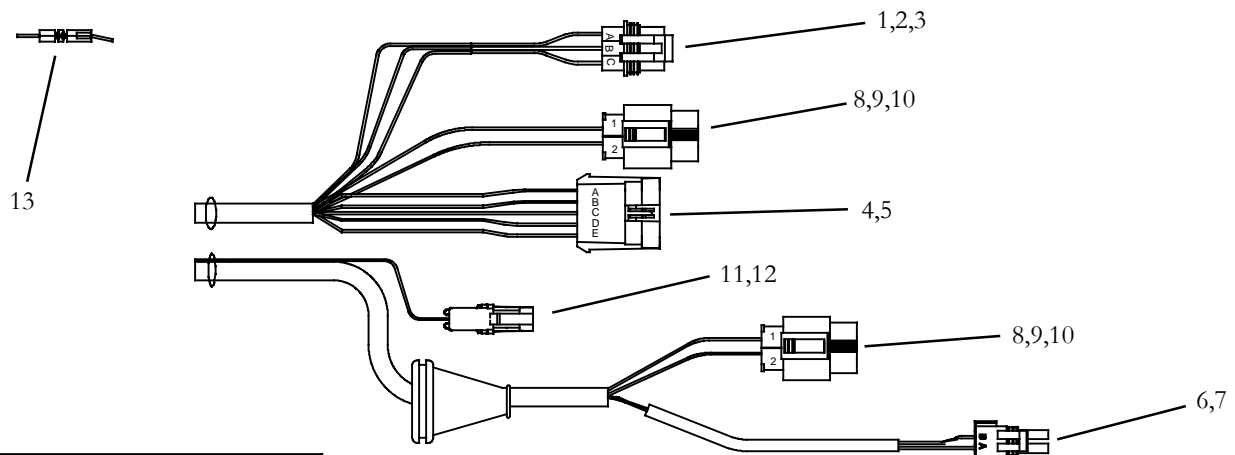
NOTE: For Electrical Panel Assembly Part Number, refer to label shown. MCC Part number, as well as Thomas Part number are shown.



**TYPICAL PANEL COMPONENTS  
REFERENCE ONLY**

Item	Description
1	Fuses and Fuse Holders, <b>Refer to section 5.1</b> for proper replacement options
2	Harness Connectors, <b>Refer to section 5.33</b> for proper replacement options
3	Relays, <b>Refer to section 5.4</b> for proper replacement options
4	Relay Base Assemblies, <b>Refer to sections 5.2 and 5.3</b> for proper replacement options
5	Circuit Breakers, <b>Refer to section 5.6</b> for proper replacement options

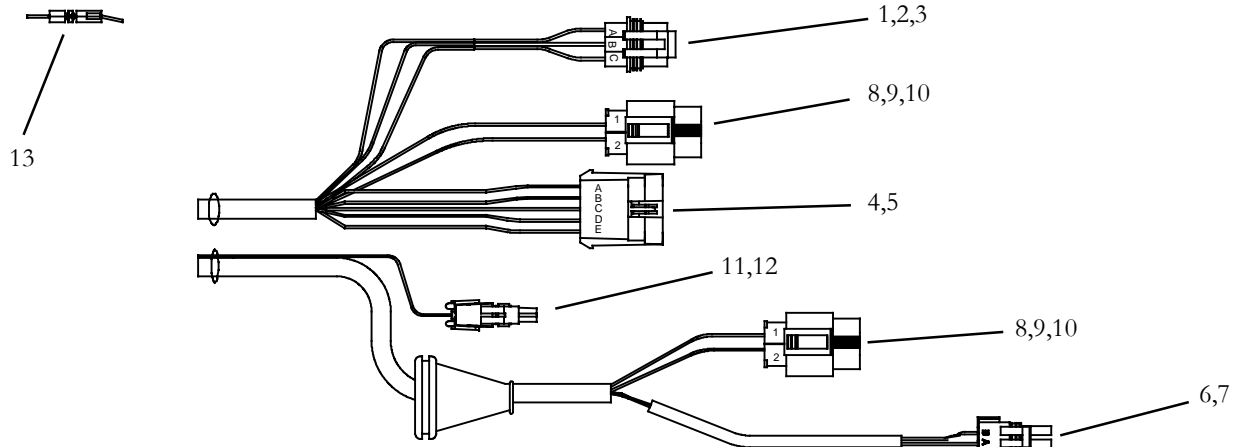
**5.33 ELECTRICAL HARNESS Replacement Parts (THOMAS)**



MCC Panel # 91-62113  
Thomas Panel # 170623

Item	Description		
1	22-50078-87	Connector, Female, 3 Pin, Black	1
2	22-50078-49E	Terminal, Female, 18-20 AWG	2
3	22-50078-49H	Terminal, Female, 10-12 AWG	1
4	22-50078-45	Connector, Male, 10 Pin, Black	1
5	22-50078-46A	Terminal, Male, 16-18 AWG	7
6	22-01585-02	Connector, Female, 2 Pin, Black	1
7	22-02393-01	Terminal, Male, 18-20 AWG	2
8	22-50098-71	Connector, Female, 2 Pin, Black	2
9	22-50098-71B	Terminal, Female, 8 AWG	3
10	22-50098-71A	Terminal, Female, 10-12 AWG	1
11	22-50078-64	Connector, Male, 1 Pin, Black	1
12	22-02393-01	Terminal, Male, 18-20 AWG	2
13	AC201-600	In-Line Diode, 6 AMP	2

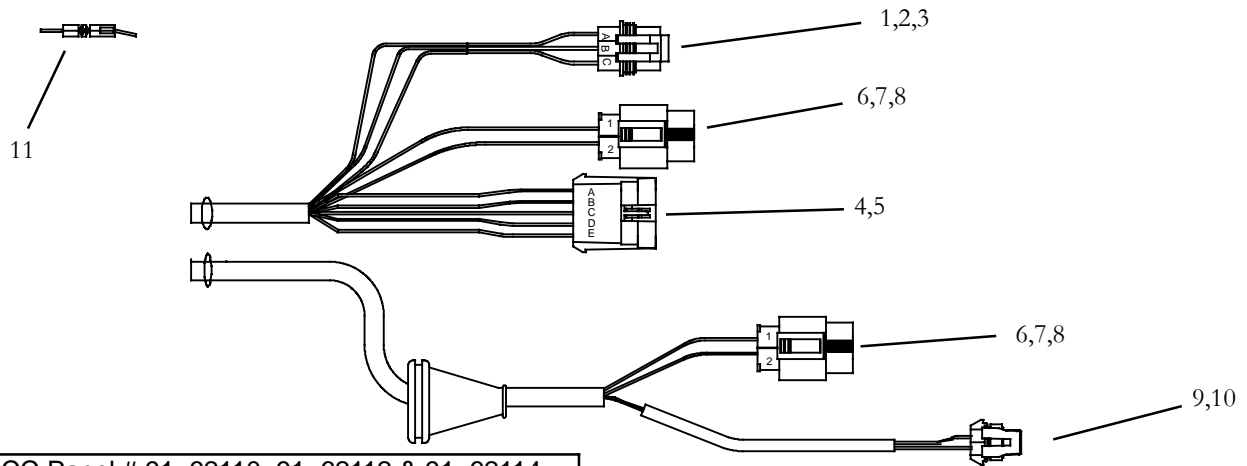
**5.33 ELECTRICAL HARNESS Replacement Parts (THOMAS) : Continued**



MCC Panel # 91-62111  
Thomas Panel # 170622

Item	Description		
1	22-50078-87	Connector, Female, 3 Pin, Black	1
2	22-50078-49E	Terminal, Female, 18-20 AWG	2
3	22-50078-49H	Terminal, Female, 10-12 AWG	1
4	22-50078-45	Connector, Male, 10 Pin, Black	1
5	22-50078-46A	Terminal, Male, 16-18 AWG	7
6	22-01585-02	Connector, Female, 2 Pin, Gray	1
7	22-02393-01	Terminal, Male, 18-20 AWG	2
8	22-50098-71	Connector, Female, 2 Pin, Black	2
9	22-50098-71B	Terminal, Female, 8 AWG	3
10	22-50098-71A	Terminal, Female, 10-12 AWG	1
11	22-50078-63	Connector, Female, 1 Pin, Black	1
12	22-50078-58F	Terminal, Female, 18-20 AWG	1
13	AC201-600	In-Line Diode, 6 AMP	2

**5.33 ELECTRICAL HARNESS Replacement Parts (THOMAS) : Continued**

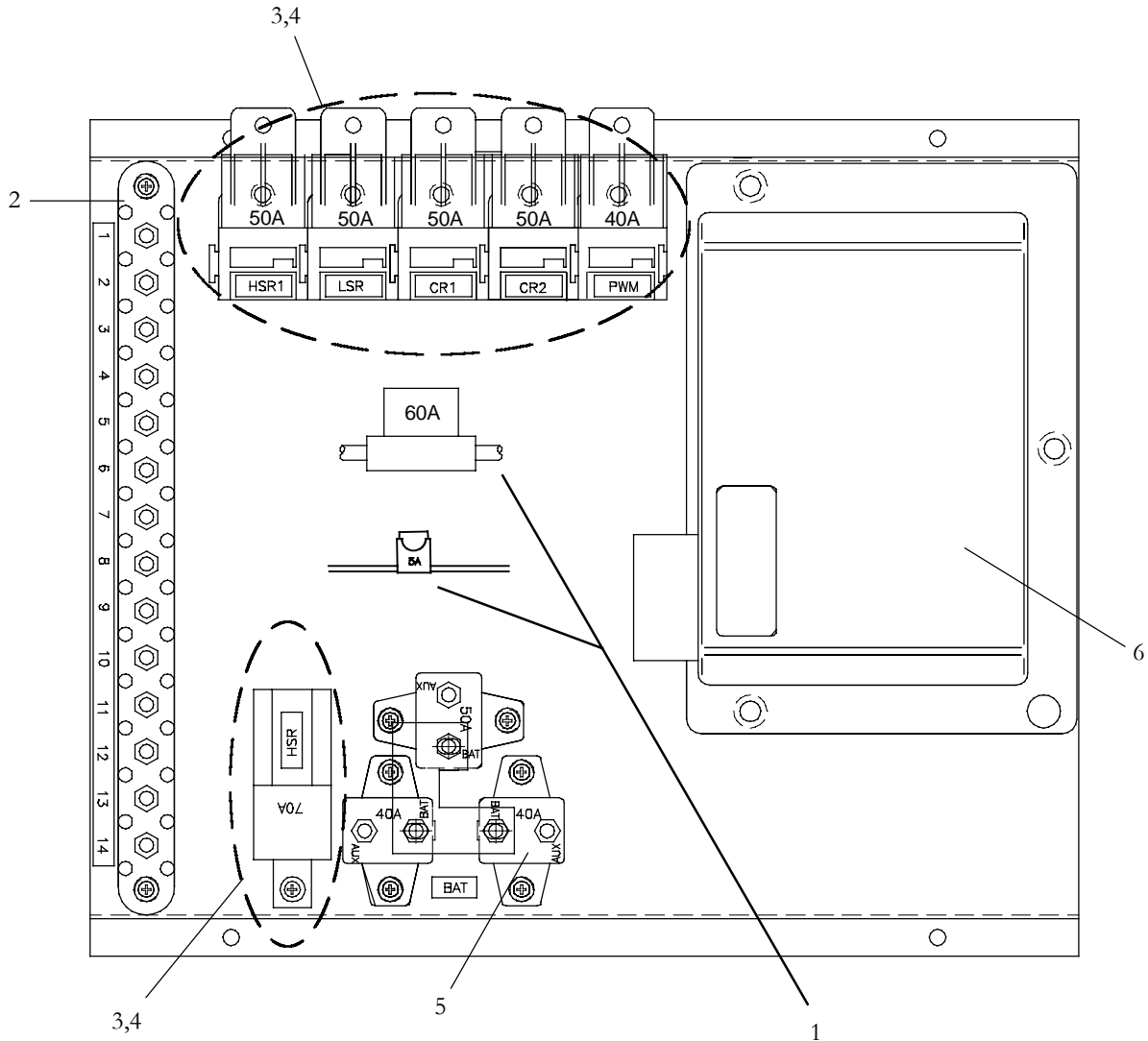


MCC Panel # 91-62110, 91-62112 & 91-62114  
 Thomas Panel # 170619, 170621 & 170620

Item	Description		
1	22-50078-87	Connector, Female, 3 Pin, Black: Uses	1
2	22-50078-49E	Terminal, Female, 18-20 AWG	2
3	22-50078-49H	Terminal, Female, 10-12 AWG	1
4	22-50078-45	Connector, Male, 10 Pin, Black: Uses	1
5	22-50078-46A	Terminal, Male, 16-18 AWG	7
6	22-50098-71	Connector, Female, 2 Pin, Black	2
7	22-50098-71B	Terminal, Female, 8 AWG	3
8	22-50098-71A	Terminal, Female, 10-12 AWG	1
9	22-50078-73	Connector, Female, 2 Pin, Black	1
10	22-50078-46B	Terminal, Female, 16-18 AWG	2
11	AC201-600	In-Line Diode, 6 AMP	1

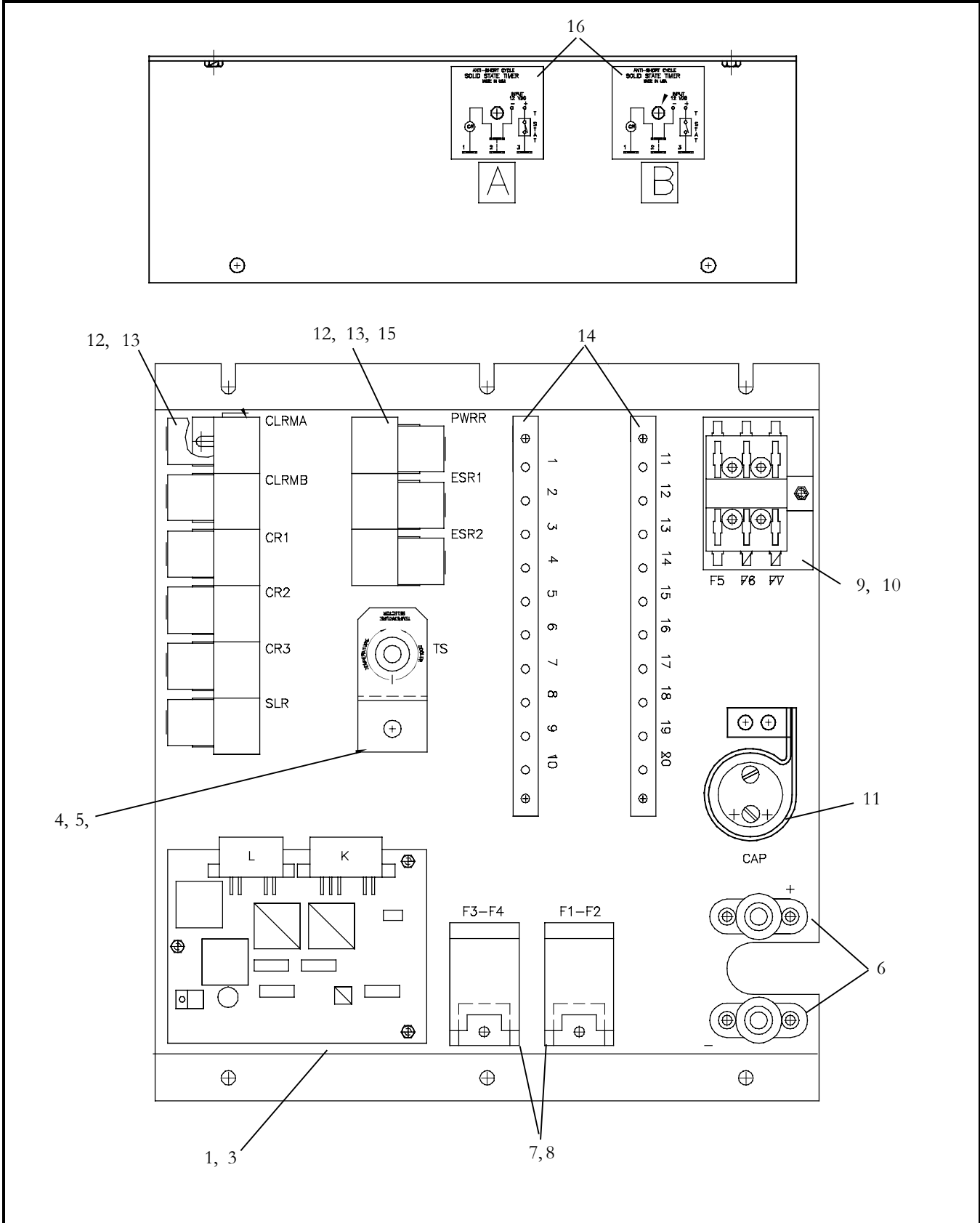


**5.34 PANEL ASSEMBLIES, TOTAL CONTROL (TYPICAL)**



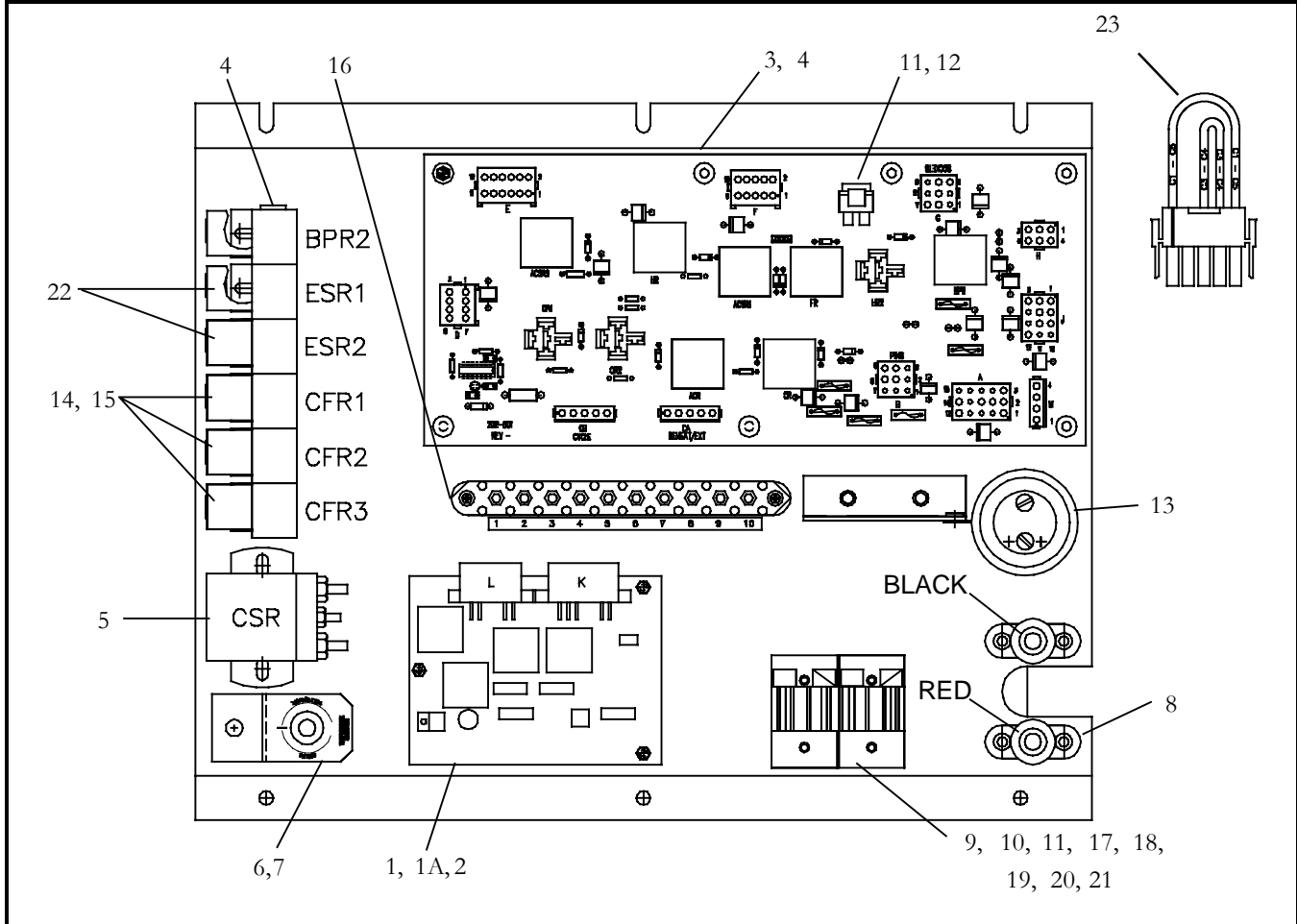
Item	Part Number	Description	Qty
1		Fuses and Fuse Holders, <b>Refer to section 5.1</b> for proper replacement options	
2		Terminal Boards, <b>Refer to section 5.7</b> for proper replacement options	
3		Relays, <b>Refer to section 5.4</b> for proper replacement options	
4		Relay Base Assemblies, <b>Refer to sections 5.2 and 5.3</b> for proper replacement options	
5		Circuit Breakers, <b>Refer to section 5.6</b> for proper replacement options	
6		Module, Logic <b>Refer to section 5.24</b> for proper replacement options	

**5.35 CONTROL PANEL, EM-17 SPLIT, KR-4D, (24 VDC)**





<b>5.35 CONTROL PANEL, EM-17 SPLIT, KR-4D, (24 VDC) - Continued:</b>			
<b>Item</b>	<b>Part Number</b>	<b>Description</b>	<b>Qty</b>
NSI	91-62035-00	Assembly Panel, EM-17 Split, KR-4D, (24 VDC) - (Above), Includes:	1
1	12-00657-00	Controller, Temp-4 Relay, W/O Box - Includes:	1
2	10-00286-09	Relay, SPDT, 40Amp, 24V	4
3	AC201-508	Return Air Probe	1
4	10-00311-00	Temperature Selector	1
5	10-00312-00	Knob, Temperature Selector	1
6	22-50098-91A	Stud-Type, Junction Block, (3/8-16)	2
7	22-01828-00	Fuse Holder (For 22-02336-16)	4
8	22-02336-16	Fuse, 40 Amp, (Use With Fuse Holder 22-01828-00)	4
9	22-01827-01	Fuse Holder, 6 PC. Common Ground, (For AC201-123)	1
10	22-02336-06	Fuse, 15 Amp, (ATC)	3
11	AC201-634	Capacitor, 50 VDC, 18,000 Micro F.	1
12	AC201-901	Connector, Relay Socket	10
13	AC201-931	Lock, Packard Connector	10
14	22-02897-07	Terminal Board, 10 Position	2
15	10-00286-03	Relay, 12 VDC, 30 Amp	3
16	10-00436-01	Lockout, Timer, 24 VDC	2

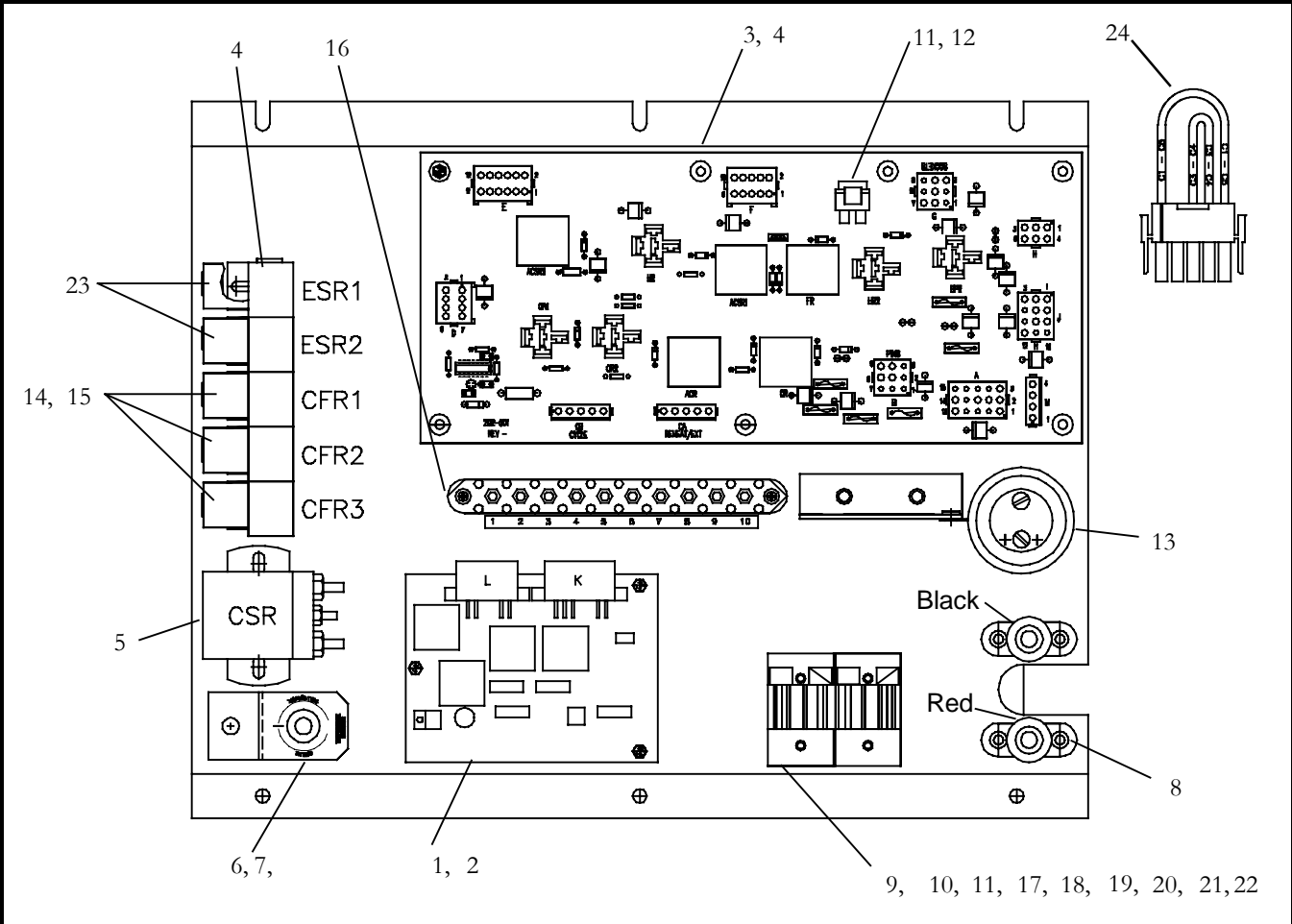
**5.36 CONTROL PANEL, EM-17 & CM-5, (WITH HEAT)**


Item	Part Number	Description	Qty
NSI	91-62011-01	Assembly, Panel, EM-17 With CM-5, (With Heat), Above, Includes:	1
1	12-00657-00	Controller, Temp-4 Relay, W/O Box - Includes:	1
1A	10-00286-09	Relay, Single Pole, Double Throw, (24 VDC)	4
2	AC201-508	Return Air Probe	1
3	AC202-501	Relay Board, Fused	1
4	10-00286-09	Relay, Single Pole, Double Throw, (24 VDC)	13
5	10-00300-02	Solenoid, Normally Open (N.O.), 28 VDC	1
6	10-00311-00	Temperature Selector	1
7	10-00312-00	Knob, Temperature Selector	1
8	10-50052-00	Junction Block, Stud-Type, (3/8-16) Black	1
	10-50052-01	Junction Block, Stud-Type, (3/8-16) Red	1
9	22-02336-16	Fuse, 40 Amp, (Use With Fuse Holder 22-01828)	2
10	22-02336-17	Fuse, 60 Amp, (Use With Fuse Holder 22-01828)	1
11	22-02336-06	Fuse, 15 Amp, (ATC)	6
12	22-01449-00	Clip, Fuse	1
13	AC201-634	Capacitor, 50 VDC, 18,000 Micro F.	1
14	AC201-901	Connector, Relay Socket	4
15	AC201-931	Lock, Packard Connector	4



<b>5.36 CONTROL PANEL, EM-17 &amp; CM-5, (WITH HEAT) - Continued:</b>			
<b>Item</b>	<b>Part Number</b>	<b>Description</b>	<b>Qty</b>
16	22-02897-07	Terminal Board, 10 Position	1
17	22-62036-00	Fuse Holder, 7 Position	1
18	22-62037-00	Maxifuse Holder, 4 Position	1
19	22-62039-01	Secondary Lock, (22-62036-00)	12
20	22-62039-02	Secondary Lock, (22-62037-00)	6
21	22-62040-00	Locking Wedge, (Fuse Holder)	2
22	22-62216-00	Connector/Lock Assembly, RElay, With Wiring (ESR) - Includes:	2
22A	AC201-901	Connector, Relay	1
22B	AC201-931	Lock, Connector, Relay	1
23	AC202-502	Connector, Reheat/Cycle, Jumper	1

**5.37 CONTROL PANEL, EM-17 & CM-5 (W/O HEAT)**



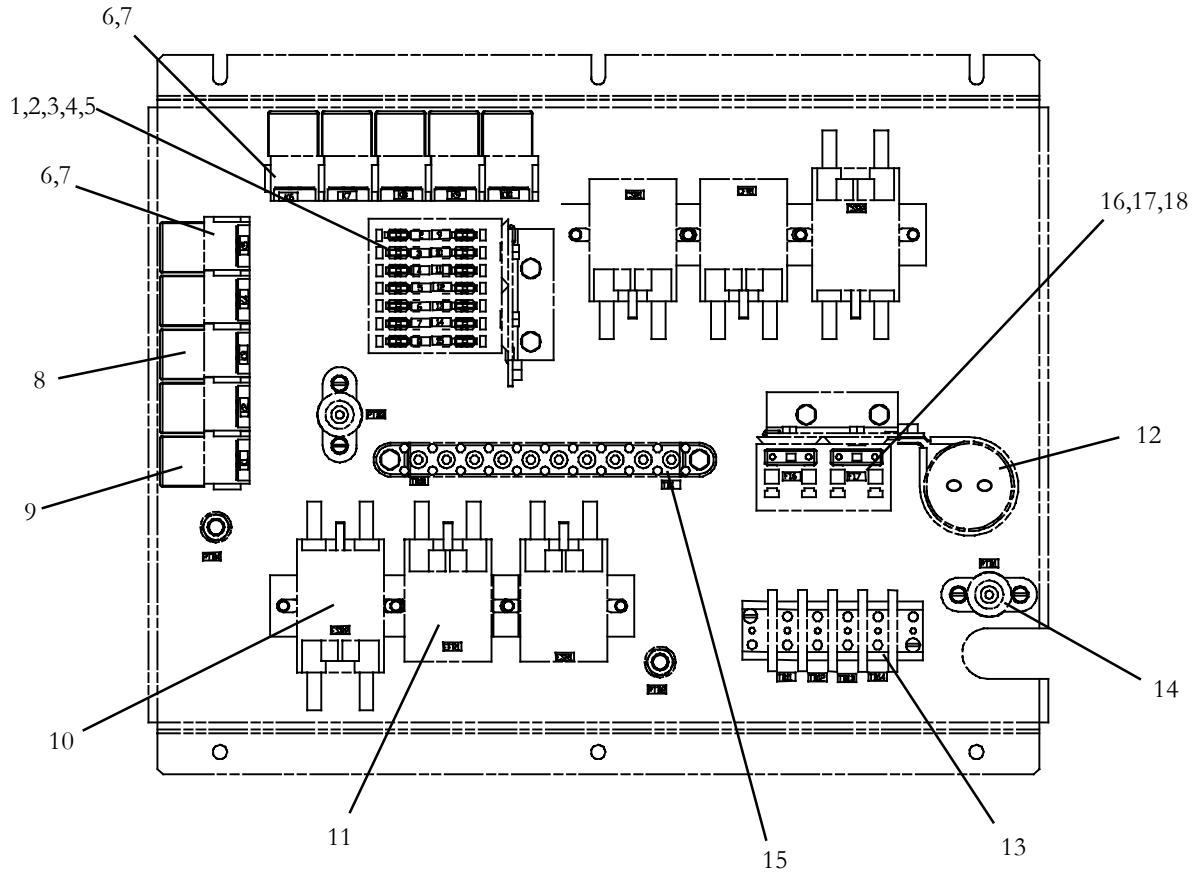
Item	Part Number	Description	Qty
NSI	91-62011-00	Assembly, Panel, EM-17 With CM-5, Shown Above, Includes:	1
1	12-00657-00	Controller, Temp-4 Relay, W/O Box - Includes:	1
1A	10-00286-09	Relay, Single Pole, Double Throw, (24 VDC)	4
2	AC201-508	Return Air Probe	1
3	AC202-501	Relay Board, Fused	1
4	10-00286-09	Relay, Single Pole, Double Throw, (24 VDC)	10
5	10-00300-02	Solenoid, Normally Open (N.O.), 28 VDC	1
6	10-00311-00	Temperature Selector	1
7	10-00312-00	Knob, Temperature Selector	1
8	10-50052-00	Junction Block, Stud-Type, (3/8-16) Black	1
	10-50052-01	Junction Block, Stud-Type, (3/8-16) Red	1
9	22-02336-16	Fuse, 40 Amp, (Use With Fuse Holder 22-01828)	2
10	22-02336-17	Fuse, 60 Amp, (Use With Fuse Holder 22-01828)	1
11	22-02336-06	Fuse, 15 Amp, (ATC)	6
12	22-01449-00	Clip, Fuse	1
13	AC201-634	Capacitor, 50 VDC, 18,000 Micro F.	1
14	AC201-901	Connector, Relay Socket	3
15	AC201-931	Lock, Packard Connector	3



<b>5.37 CONTROL PANEL, EM-17 &amp; CM-5 - (W/O HEAT) Continued:</b>			
<b>Item</b>	<b>Part Number</b>	<b>Description</b>	<b>Qty</b>
16	22-02897-07	Terminal Board, 10 Position	1
17	22-62036-00	Fuse Holder, 7 Position	1
18	22-62037-00	Maxifuse Holder, 4 Position	1
19	22-62038-00	Mounting Bracket, (Fuse Holder)	2
20	22-62039-01	Secondary Lock, (22-62036-00)	12
21	22-62039-02	Secondary Lock, (22-62037-00)	6
22	22-62040-00	Locking Wedge, (Fuse Holder)	2
23	22-62216-00	Connector/Lock Assembly, Relay, With Wiring (ESR) - Includes:	2
23A	AC201-901	Connector, Relay	1
23B	AC201-931	Lock, Connector, Relay	1
24	AC202-502	Connector, Reheat/Cycle, Jumper	1



5.38 CONTROL PANEL, EM-17 & KR4, 91-62011-04

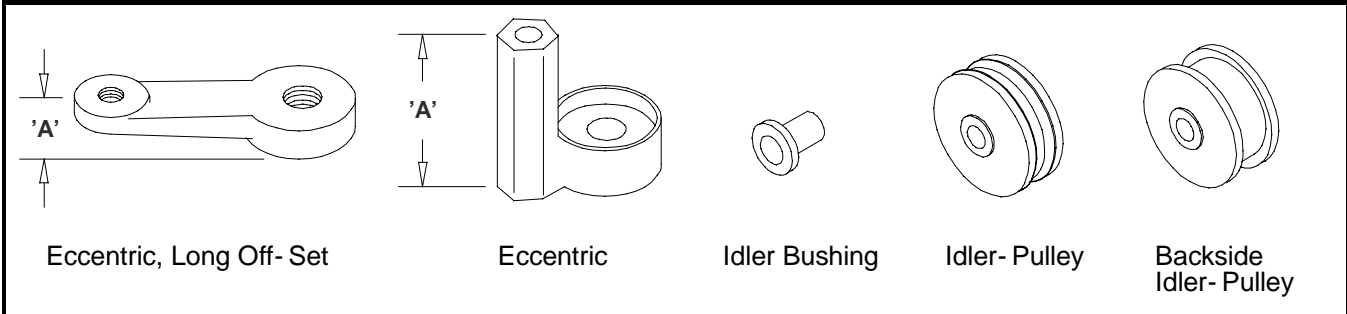


Item	Part Number	Description	Qty
NSI	91-62011-04	Assembly, Panel, EM-17 With KR-4, Shown Above, Includes:	1
1	22-62036-00	Fuse Holder, ATC	2
2	22-62040-00	Secondary Lock, Wedge, Fuse Holder	2
3	22-62039-01	Secondary Lock, Fuse Holder	28
4	22-02336-21	Fuse, 5 Amp	8
5	22-02336-06	Fuse, 15 Amp	6
6	AC201-901	Connector, Relay Socket	10
7	AC201-931	Lock	10
8	10-00286-13	Relay, 24VDC	9
9	10-00286-07	Relay, 12VDC	1
10	10-00300-07	Contactora,28 VDC, N.O.	2
11	10-00300-02	Contactora,28 VDC, N.O.	4
12	AC201-634	Capacitor, 50 V, 18,000 micro f	1
13	22-62100-03	Terminal Block, 4 Position	1
14	22-50098-91	Junction Block, Stud-Type, (3/8-16) Red	2
15	22-02897-07	Terminal Block, 10 Position	1
16	22-62037-00	Fuse Holder, Maxi	1
17	22-62237-00	Secondary Lock, Fuse Holder	4
18	22-02336-16	Fuse, 40 Amp, Maxi	2



## SECTION 6 - ENGINE KIT PARTS

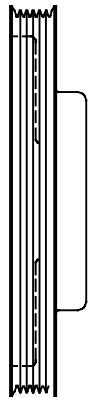
### 6.1 BUSHINGS - IDLERS - ECCENTRICS - FAN SPACERS



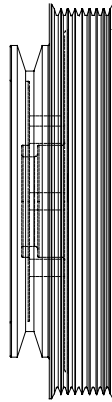
Part Number	Description
AC601-525	Eccentric, "A" Dimension, 3/4 inch, Long Offset
AC601-505	Eccentric, "A" Dimension, 1-1/8 inch
AC601-522	Eccentric, "A" Dimension, 1-3/16 inch, Long Offset
AC601-527	Eccentric, "A" Dimension, 1-1/4 inch, Center Hole Tapped
AC601-511	Eccentric, "A" Dimension, 2 inch
AC601-525	Eccentric, "A" Dimension 3/4 Inch, Long Off-Set, (Drilled Thru) (AC601-525-1)
AC601-519	Bushing, Idler, 3/8 inch Bolt
AC601-508	Bushing, Idler, 7/16 inch Bolt
AC601-520	Bushing, Idler, 1/2 inch Bolt
48-62013-00	Bushing, Idler, 8MM Bolt
AC601-545	Bushing, Idler, Double Bearing, 10mm
AC601-500	Idler, Kit, Single Groove, 3-3/4 inch Diameter
AC601-542	Idler, Pulley, Backside, 2-7/8 inch Diameter
AC601-528	Idler, Pulley, Backside, Single, 3-1/4 inch Diameter
AC051-586	Idler, Pulley, Backside, Dual, 3-5/8 inch Diameter
AC601-538	Idler, Pulley, Single, "A" Groove, 3-3/4 inch Diameter
50-62051-00	Idler, Pulley, Poly V, 6-Groove, Single, 3-1/4 inch Diameter
AC601-548	Spacer, Fan, 1 inch, 6CTA, 8.3 Cummins
AC601-524	Bolt, Shoulder, Single Bearing Idler
AC601-547	Manifold Assembly, Ford, 7.3 Liter, (Seltec)



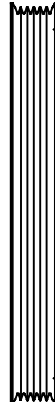
6.2 PULLEYS



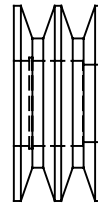
50-62014-00



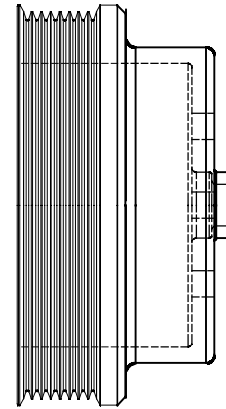
50-62029-00



50-62009-00



50-62011-00

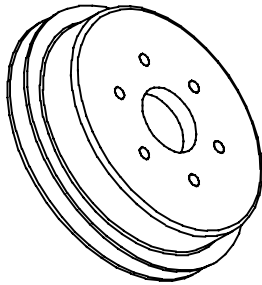


50-62025-00

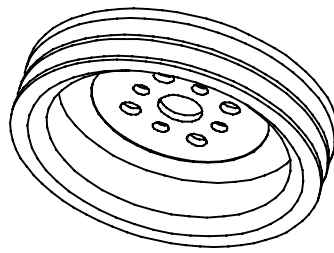
Part Number	Description
AC601-336	Pulley, Crank, Dual "B" Groove, (Cummins 6BT)
AC051-1116P	Pulley, Crank, Dual "A" Groove, Add-On, (94 I.H. T444E)
AC051-1111P	Pulley, Water Pump, Backside, Add-On, (I.H. 444E)
AC051-1112P	Pulley, Water Pump, Backside, (I.H. 444E)
50-62002-00	Pulley, Crank, 6 BTA, 2 B-Grooves
50-62003-00	Pulley, Dual, Water Pump, Navistar, T444E
50-62005-00	Pulley, Crank, 94-97 T444E Conventional
50-62006-00	Pulley, Crank, Cummins, 6BT - 6BTA
50-62007-00	Pulley, Add-On, 97 Ford, 6.8L - V10
50-62009-00	Pulley, Add-On Fan Idler, Cat 3126
50-62009-02	Pulley, Fan Idler, Add-On, 2002 Cat 3126
50-62011-00	Pulley, Idler, 2 B-Grooves
50-62012-00	Pulley, Crank, Poly-V6, IH, DT466/530
50-62014-00	Pulley, Crank, 6 Groove Poly-V, T444E I.H.
50-62017-00	Pulley, Backside Idler
50-62025-00	Pulley, Poly-V, 8 Groove, Fan Hub, Add-On, Cat 3126



6.3 PULLEYS



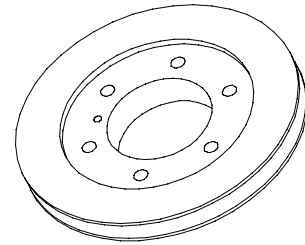
50-62031-00



50-62041-00

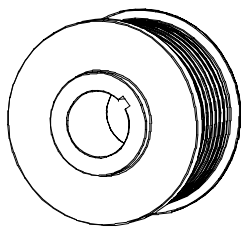


50-62051-00

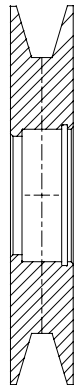


50-62054-00

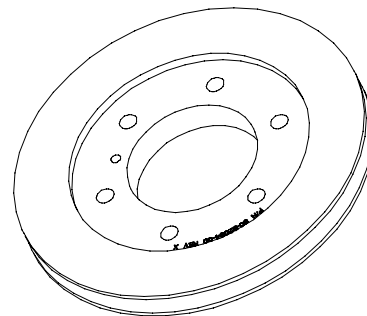
Part Number	Description
50-62029-00	Pulley, Fan Hub Add-On, 8 Groove Poly-V & "A" Groove, Painted Black, (Mercedes)
50-62031-00	Pulley, Cat 3126 & C7, VGR
50-62032-00	Pulley, Crank, Add-On, 466, V-Belt
50-62040-00	Pulley, Crank, Add-On, ISB02, 2 B-Grooves
50-62041-00	Pulley, 2 A-Grooves, 7.00" Dia.
50-62045-00	Pulley, Idler, Backside, 4.5" OD X 1.75"
50-62045-01	Pulley, Idler, Backside, 4.5" OD X 1.75" (Larger Bearing)
50-62048-00	Pulley, Crank, Add-On, 04 Ford, 6.0L, 6 Groove Poly-V
50-62049-00	Pulley, Backside Idler, Stamped Steel (Goodyear)
50-62051-00	Pulley, Idler, Poly-V, 6 Groove
50-62054-00	Pulley, Crank, Add-On, B-Groove
50-62056-00	Pulley, Pentex, Alternator, 8-Groove, Pentex



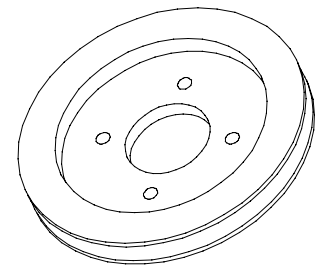
50-62056-00



50-62057-00



50-62064-00

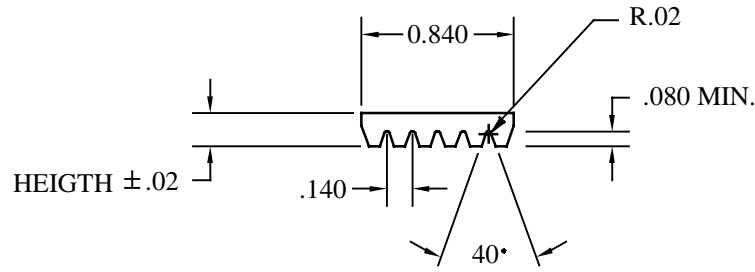


50-62066-00

50-62057-00	Pulley, Idler, 4.5" OD X 0.75", B-Groove
50-62059-00	Pulley, Water Pump, 6 Groove, Add-On
50-62064-00	Pulley, Crank, 05 ICRE 300, 1 A-Groove
50-62066-00	Pulley, Engine, 05 CE200, 365
50-62069-00	Pulley, Idler, Backside, Stamped Steel (Dayco)
50-62070-00	Pulley, Idler, Backside, 6.00" OD X 1.75"
50-62070-01	Pulley, Idler, Backside, 6.00" OD X 1.75", (Larger Bearing)
50-62072-00	Pulley, Idler, Dual, A-Groove
50-62073-00	Pulley, Idler, Backside, Stamped Steel (Ford)



**6.4 BELTS, POLY-V, 6 GROOVES, 0.840 WIDTH**



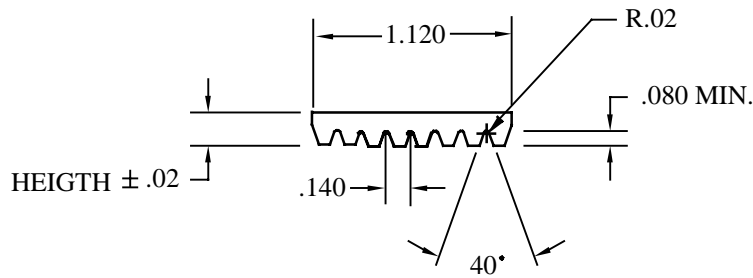
Part Number	Description	Length (Inches)
50-62000-00	BELT, POLY-V, 6 GROOVE	66.00
50-62000-01	BELT, POLY-V, 6 GROOVE	99.50
50-62000-08	BELT, POLY-V, 6 GROOVE	48.50
50-62000-09	BELT, POLY-V, 6 GROOVE	64.00
50-62000-11	BELT, POLY-V, 6 GROOVE	98.00
50-62000-12	BELT, POLY-V, 6 GROOVE	59.00
50-62000-16	BELT, POLY-V, 6 GROOVE	54.80
50-62000-17	BELT, POLY-V, 6 GROOVE	120.00
50-62000-18	BELT, POLY-V, 6 GROOVE	91.60
50-62000-19	BELT, POLY-V, 6 GROOVE	57.00
50-62000-20	BELT, POLY-V, 6 GROOVE	63.00
50-62000-22	BELT, POLY-V, 6 GROOVE	128.00
50-62000-24	BELT, POLY-V, 6 GROOVE	107.50
50-62000-25	BELT, POLY-V, 6 GROOVE	74.50
50-62000-26	BELT, POLY-V, 6 GROOVE	113.00
50-62000-27	BELT, POLY-V, 6 GROOVE	72.00
50-62000-28	BELT, POLY-V, 6 GROOVE	52.00
50-62000-30	BELT, POLY-V, 6 GROOVE	91.60
50-62000-31	BELT, POLY-V, 6 GROOVE	72.00
50-62000-32	BELT, POLY-V, 6 GROOVE	52.80
50-62000-33	BELT, POLY-V, 6 GROOVE	96.10
50-62000-36	BELT, POLY-V, 6 GROOVE	87.10
50-62000-37	BELT, POLY-V, 6 GROOVE	76.90
50-62000-38	BELT, POLY-V, 6 GROOVE	103.10
50-62000-46	BELT, POLY-V, 6 GROOVE	83.70
50-62000-48	BELT, POLY-V, 6 GROOVE	110.60
50-62000-50	BELT, POLY-V, 6 GROOVE	67.50
50-62000-52	BELT, POLY-V, 6 GROOVE	73.50
50-62000-53	BELT, POLY-V, 6 GROOVE	88.30
50-62000-54	BELT, POLY-V, 6 GROOVE	72.60
50-62000-55	BELT, POLY-V, 6 GROOVE	70.60
50-62000-57	BELT, POLY-V, 6 GROOVE	75.50
50-62000-60	BELT, POLY-V, 6 GROOVE	52.80
50-62000-61	BELT, POLY-V, 6 GROOVE	139.60
50-62000-62	BELT, POLY-V, 6 GROOVE	118.00
50-62000-63	BELT, POLY-V, 6 GROOVE	126.50



**6.4 BELTS, POLY-V, 6 GROOVES, 0.840 WIDTH - Continued:**

Part Number	Description	Length (Inches)
50-62000-68	BELT, POLY-V, 6 GROOVE	59.40
50-62000-78	BELT, POLY-V, 6 GROOVE	123.00
50-62000-79	BELT, POLY-V, 6 GROOVE	54.00
50-62000-80	BELT, POLY-V, 6 GROOVE	54.50
50-62000-81	BELT, POLY-V, 6 GROOVE	55.50
50-62000-84	BELT, POLY-V, 6 GROOVE	43.50
50-62000-85	BELT, POLY-V, 6 GROOVE	142.00
50-62000-86	BELT, POLY-V, 6 GROOVE	124.50
50-62000-87	BELT, POLY-V, 6 GROOVE	77.00
50-62000-91	BELT, POLY-V, 6 GROOVE	57.80
50-62000-92	BELT, POLY-V, 6 GROOVE	55.90
50-62000-95	BELT, POLY-V, 6 GROOVE	136.00
50-62000-96	BELT, POLY-V, 6 GROOVE	55.00
50-62000-97	BELT, POLY-V, 6 GROOVE	60.50

**6.5 BELTS, POLY-V, 8 GROOVES, 1.120 WIDTH**

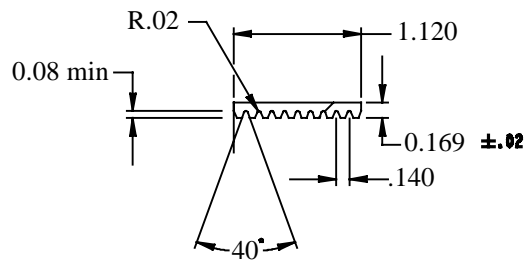


Part Number	Description	Length (Inches)
50-62000-06	BELT, POLY-V, 8 GROOVE	58.00
50-62000-13	BELT, POLY-V, 8 GROOVE	60.50
50-62000-14	BELT, POLY-V, 8 GROOVE	60.00
50-62000-15	BELT, POLY-V, 8 GROOVE	121.00
50-62000-21	BELT, POLY-V, 8 GROOVE	81.00
50-62000-23	BELT, POLY-V, 8 GROOVE	91.00
50-62000-29	BELT, POLY-V, 8 GROOVE	112.50
50-62000-39	BELT, POLY-V, 8 GROOVE	104.50
50-62000-40	BELT, POLY-V, 8 GROOVE	123.00
50-62000-41	BELT, POLY-V, 8 GROOVE	120.20
50-62000-43	BELT, POLY-V, 8 GROOVE	126.50
50-62000-44	BELT, POLY-V, 8 GROOVE	100.70
50-62000-47	BELT, POLY-V, 8 GROOVE	127.50
50-62000-58	BELT, POLY-V, 8 GROOVE	149.00
50-62000-59	BELT, POLY-V, 8 GROOVE	95.00
50-62000-65	BELT, POLY-V, 8 GROOVE	52.00
50-62000-66	BELT, POLY-V, 8 GROOVE	131.30
50-62000-67	BELT, POLY-V, 8 GROOVE	125.30
50-62000-69	BELT, POLY-V, 8 GROOVE	107.50



6.5 BELTS, POLY-V, 8 GROOVES, 1.120 WIDTH - Continued:		
Part Number	Description	Length (Inches)
50-62000-70	BELT, POLY-V, 8 GROOVE	95.20
50-62000-71	BELT, POLY-V, 8 GROOVE	82.00
50-62000-72	BELT, POLY-V, 8 GROOVE	85.50
50-62000-73	BELT, POLY-V, 8 GROOVE	83.00
50-62000-74	BELT, POLY-V, 8 GROOVE	103.50
50-62000-75	BELT, POLY-V, 8 GROOVE	55.20
50-62000-76	BELT, POLY-V, 8 GROOVE	56.60
50-62000-77	BELT, POLY-V, 8 GROOVE	105.50
50-62000-82	BELT, POLY-V, 8 GROOVE	79.00
50-62000-83	BELT, POLY-V, 8 GROOVE	77.00
50-62000-88	BELT, POLY-V, 8 GROOVE	99.00
50-62000-89	BELT, POLY-V, 8 GROOVE	100.00
50-62000-90	BELT, POLY-V, 8 GROOVE	142.00

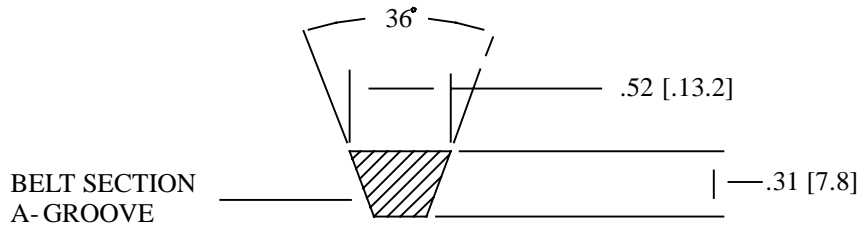
6.6 BELTS, POLY-V, 10 GROOVES, 1.380 WIDTH



Part Number	Description	Length (Inches)
50-62075-00	BELT, POLY-V, 10 GROOVE	103.00
50-62075-01	BELT, POLY-V, 10 GROOVE	87.50
50-62075-02	BELT, POLY-V, 10 GROOVE	105.00



**6.7 V-BELT, SINGLE "A" GROOVE**



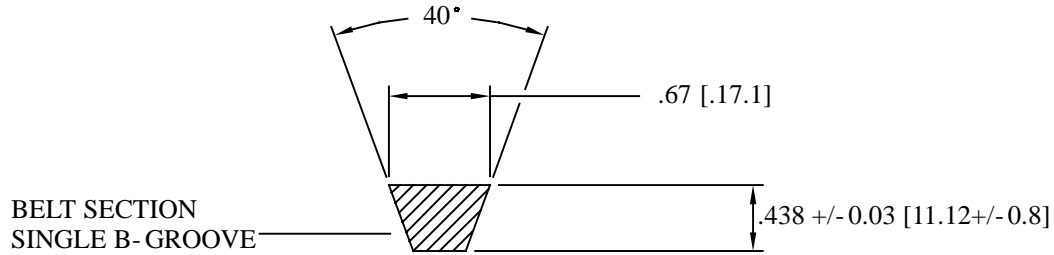
Part Number	Description	Length (Inches)
50-62019-00	V-BELT, SINGLE "A" GROOVE	75.00
50-62019-10	V-BELT, SINGLE "A" GROOVE	37.40
50-62019-11	V-BELT, SINGLE "A" GROOVE	39.90
50-62019-12	V-BELT, SINGLE "A" GROOVE	40.40
50-62019-15	V-BELT, SINGLE "A" GROOVE	42.90
50-62019-17	V-BELT, SINGLE "A" GROOVE	43.90
50-62019-18	V-BELT, SINGLE "A" GROOVE	44.90
50-62019-20	V-BELT, SINGLE "A" GROOVE	45.90
50-62019-22	V-BELT, SINGLE "A" GROOVE	46.90
50-62019-24	V-BELT, SINGLE "A" GROOVE	47.90
50-62019-25	V-BELT, SINGLE "A" GROOVE	48.40
50-62019-26	V-BELT, SINGLE "A" GROOVE	49.40
50-62019-27	V-BELT, SINGLE "A" GROOVE	50.40
50-62019-28	V-BELT, SINGLE "A" GROOVE	51.40
50-62019-29	V-BELT, SINGLE "A" GROOVE	52.40
50-62019-30	V-BELT, SINGLE "A" GROOVE	75.00
50-62019-31	V-BELT, SINGLE "A" GROOVE	53.40
50-62019-32	V-BELT, SINGLE "A" GROOVE	54.40
50-62019-34	V-BELT, SINGLE "A" GROOVE	55.90
50-62019-35	V-BELT, SINGLE "A" GROOVE	56.40
50-62019-37	V-BELT, SINGLE "A" GROOVE	58.40
50-62019-38	V-BELT, SINGLE "A" GROOVE	59.40
50-62019-39	V-BELT, SINGLE "A" GROOVE	60.40
50-62019-40	V-BELT, SINGLE "A" GROOVE	60.90
50-62019-42	V-BELT, SINGLE "A" GROOVE	62.40
50-62019-45	V-BELT, SINGLE "A" GROOVE	65.40
50-62019-46	V-BELT, SINGLE "A" GROOVE	66.40
50-62019-47	V-BELT, SINGLE "A" GROOVE	67.40
50-62019-48	V-BELT, SINGLE "A" GROOVE	68.40
50-62019-52	V-BELT, SINGLE "A" GROOVE	72.40
50-62019-53	V-BELT, SINGLE "A" GROOVE	73.40
50-62019-57	V-BELT, SINGLE "A" GROOVE	77.90
50-62019-59	V-BELT, SINGLE "A" GROOVE	44.00
50-62019-60	V-BELT, SINGLE "A" GROOVE	45.00
50-62019-61	V-BELT, SINGLE "A" GROOVE	47.00
50-62019-64	V-BELT, SINGLE "A" GROOVE	66.50
50-62019-67	V-BELT, SINGLE "A" GROOVE	86.00



**6.7 V-BELT, SINGLE "A" GROOVE - Continued:**

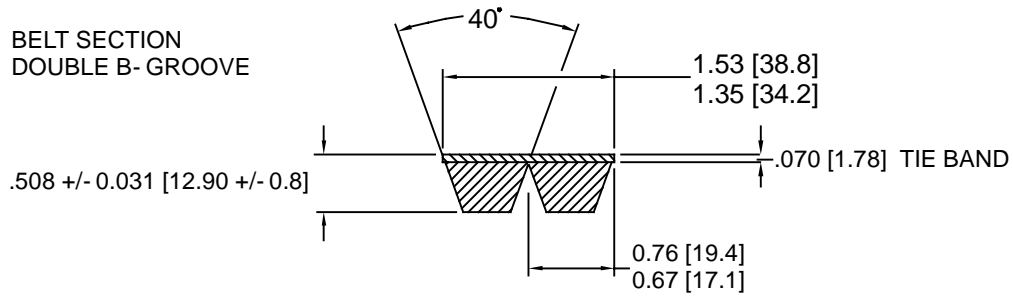
Part Number	Description	Length (Inches)
50-62019-68	V-BELT, SINGLE "A" GROOVE	88.00
50-62019-69	V-BELT, SINGLE "A" GROOVE	79.00

**6.8 V-BELT, SINGLE "B" GROOVE**



Part Number	Description	Length (Inches)
50-62010-17	V-BELT, SINGLE "B" GROOVE	92.90
50-62010-20	V-BELT, BANDED, 2 RIB	102.90

**6.9 V-BELT, 2 GROOVE, BANDED**



Part Number	Description	Length (Inches)
50-62010-00	V-BELT, BANDED, 2 RIB, COG	102.90
50-62010-01	V-BELT, BANDED, 2 RIB	92.90
50-62010-02	V-BELT, BANDED, 2 RIB	83.90
50-62010-03	V-BELT, BANDED, 2 RIB	89.90
50-62010-04	V-BELT, BANDED, 2 RIB	80.90
50-62010-06	V-BELT, BANDED, 2 RIB	95.90
50-62010-07	V-BELT, BANDED, 2 RIB	85.90
50-62010-13	V-BELT, BANDED, 2 RIB	76.90
50-62010-14	V-BELT, BANDED, 2 RIB	101.90
50-62010-20	V-BELT, BANDED, 2 RIB	102.90
50-62010-21	V-BELT, BANDED, 2 RIB	91.80
50-62010-22	V-BELT, BANDED, 2 RIB	91.60
50-62010-23	V-BELT, BANDED, 2 RIB	92.70

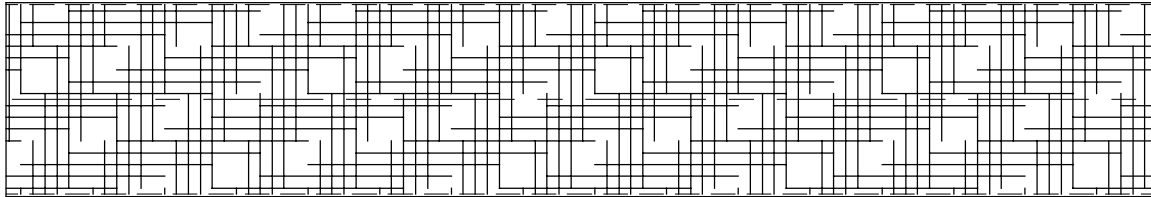




**6.10 HOSE, MISCELLANEOUS**

<b>Part Number</b>	<b>Description</b>
AC301-205	Hose, Duct, 2-1/2 Inch ID X 6 Foot (Section)
AC301-202	Hose, Radiator, 1-1/2 Inch ID
AC301-219	Hose, Radiator, 88 Ford 460, Add-On

**6.11 INSULATION TUBE, (HEAT)**

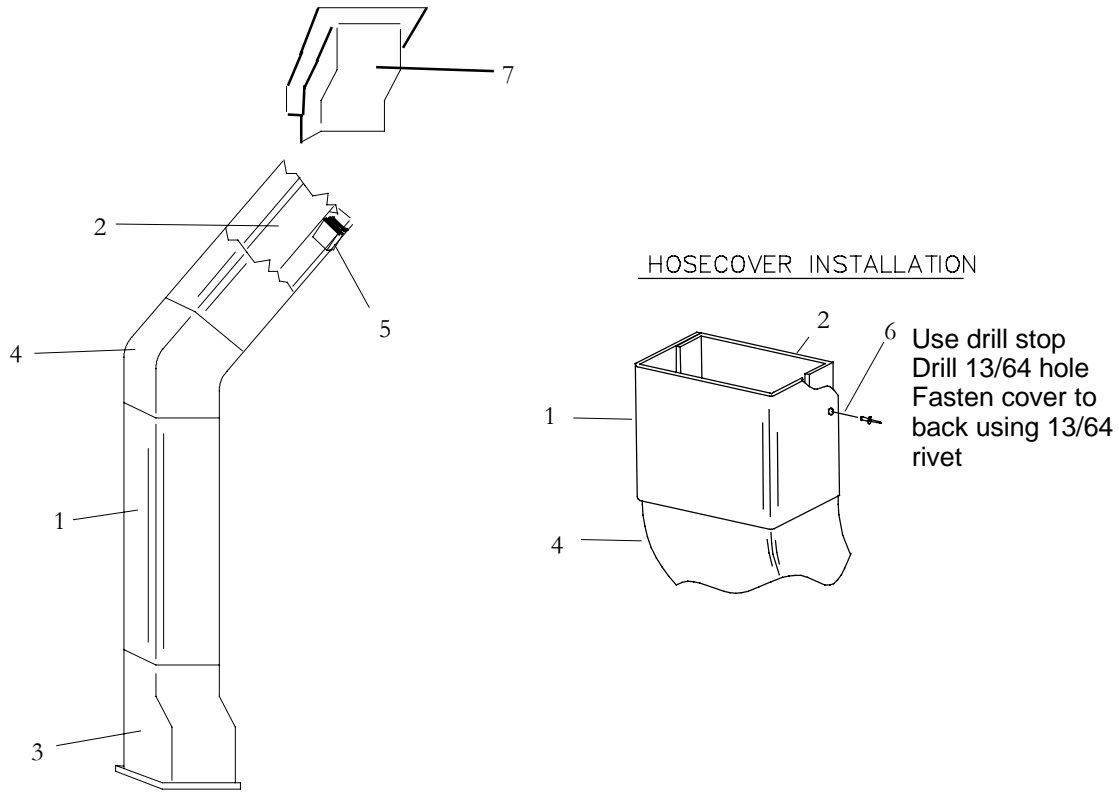


For protecting refrigerant hose in engine compartment or any other high heat areas

58-62062-00	Tube, Insulation, (Fyrejacket), 2 Inch I.D X 24 Inch, Fiberglass With Orange Silicone Rubber
58-62062-01	Tube, Insulation, (Fyrejacket), 2 Inch I.D X 48 Inch, Fiberglass With Orange Silicone Rubber
58-62062-02	Tube, Insulation, (Fyrejacket), 2 Inch I.D X 72 Inch, Fiberglass With Orange Silicone Rubber
58-62062-10	Tube, Insulation, (Fyrejacket), 2 Inch I.D X 1200 Inch, Fiberglass With Orange Silicone Rubber
58-62030-00	Tube, Insulation, 2 Inch I.D X 24 Inches, Fiberglass With Aluninum Cover
58-62030-01	Tube, Insulation, 2 Inch I.D X 48 Inches, Fiberglass With Aluninum Cover
58-62030-02	Tube, Insulation, 2 Inch I.D X 72 Inches, Fiberglass With Aluninum Cover
58-62030-10	Tube, Insulation, 2 Inch I.D X 100 Foot Roll, Fiberglass With Aluninum Cover

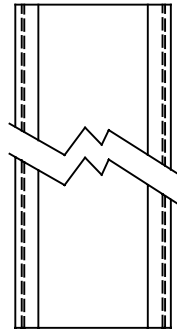
**SECTION 7 - MISCELLANEOUS**

**7.1 HOSECOVERS AND ACCESSORIES**

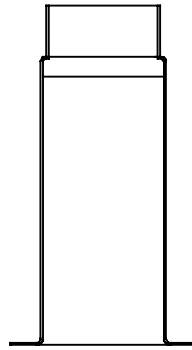


Item	Part Number	Description
1	AC010-007-1	Hosecover, Vinyl Coated Steel, 36 inch, (White)
	AC010-007-2	Hosecover, Vinyl Coated Steel, 36 inch, (Gray)
2	AC010-008	Hosecover, Back, 36 inch
	AC011-031	Hosecover, Back, 47 inch
3	AC011-032-1	Hosecover, Transition, (White) For use at Floor
	AC011-032-2	Hosecover, Transition, (Gray) For use at Floor
4	AC011-049-1	Hosecover, Elbow. 60°, (White)
	AC011-049-2	Hosecover, Elbow. 60°. (Gray)
5	AC701-103	Clip, Tinnerman, S-Type, (Hosecover)
6	AC701-401	Rivet, Pop, Steel, (SD62BS)
7	Y28-00041-01	Hosecover, Transition, (White) For use at Ceiling
	Y28-00041-00	Hosecover, Transition, (Gray) For use at Ceiling

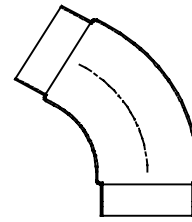
**7.2 HOSECOVERS - 2 PIECE DESIGN**



1



2



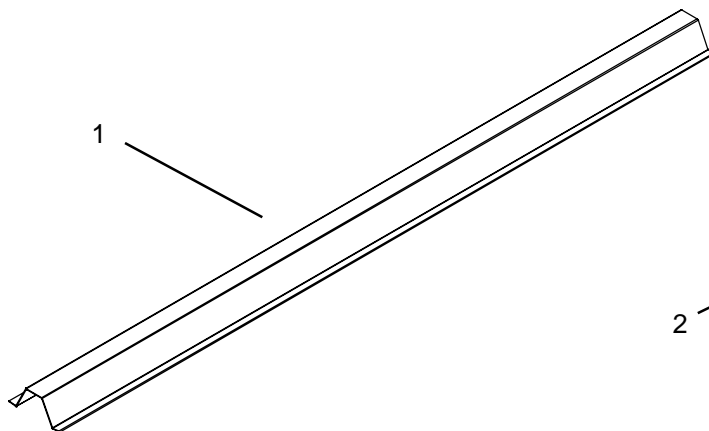
3



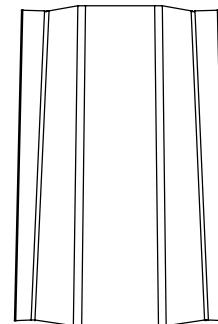
TOP VIEW

Item	Part Number	Description
1	58-01384-00	Hosecover, 2 Piece, Gray, 36 in.
	58-01384-01	Hosecover, 2 Piece, White, 36 in.
	58-01384-02	Hosecover, 2 Piece, Gray, 48 in.
	58-01384-03	Hosecover, 2 Piece, White, 48 in.
2	58-01383-00	Hosecover, Transition, Gray
	58-01383-01	Hosecover, Transition, White
	58-62184-00	Hosecover, Transition, Gray
	58-62191-00	Hosecover, Transition, ABS, Gray
3	58-01382-00	Corner Cover, 60 Degree Elbow, Gray
	58-01382-01	Corner Cover, 60 Degree Elbow, White

**7.3 HOSECOVERS - 1 PIECE DESIGN**

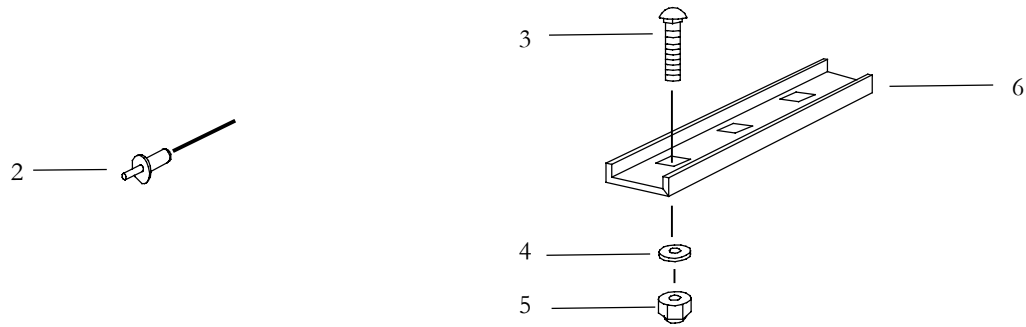


1

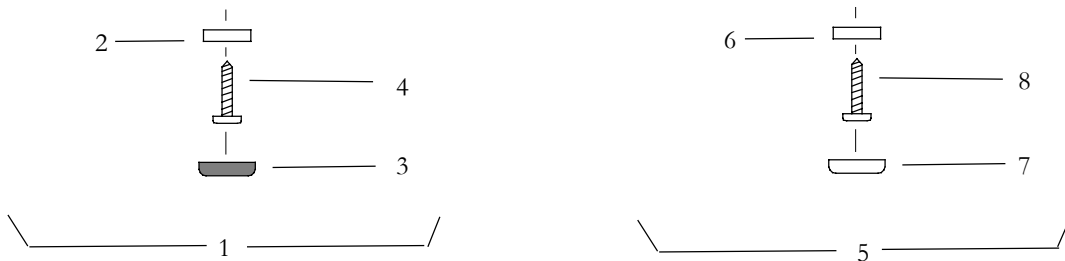


2

Item	Part Number	Description	
1	58-62204-00	Hose Cover, Gray, 52.00" LG, For Use in IC Made Buses	1
2	58-62205-00	Hose Cover, Transition, Gray, 7.00" LG, For Use in IC Made Buses	1

**7.4 HARDWARE KIT, EVAPORATOR MOUNTING TO CHANNELS, (REAR)**


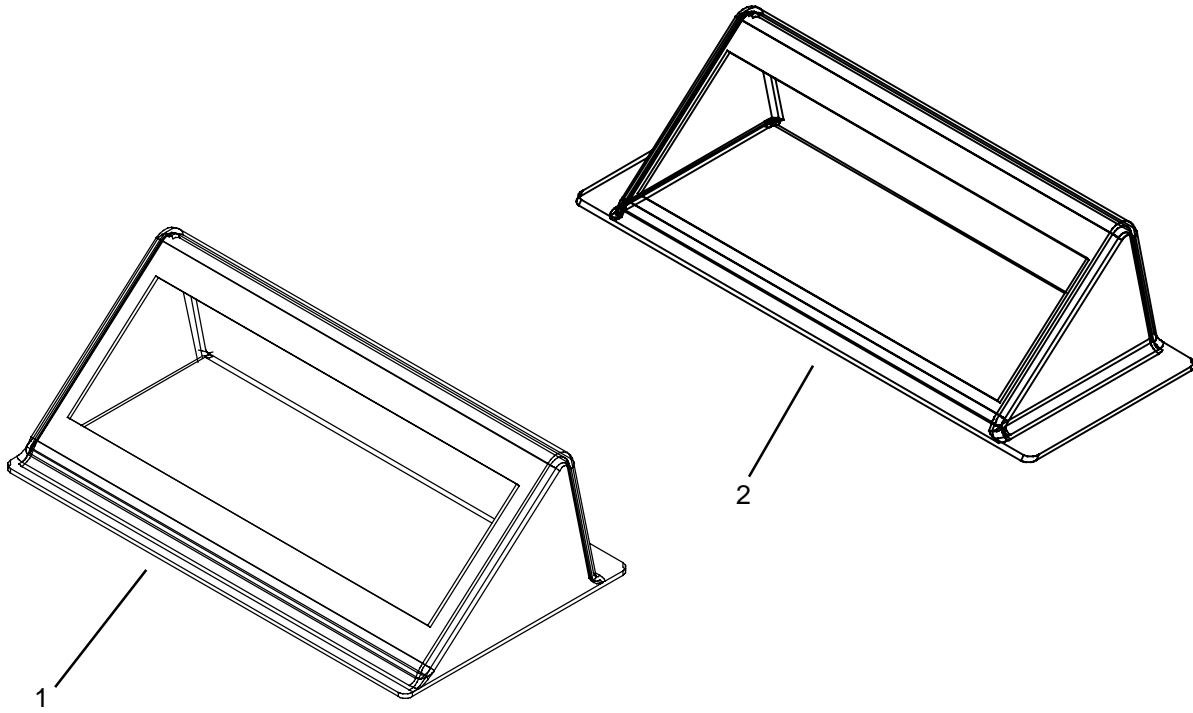
Item	Part Number	Description	
1	76-62103-01	Hardware Kit, Unit Mounting To Channels, Includes:	1
2	AC701-403	..... Rivet, Pop, 1/8-Steel	3
3	34-01310-01	..... Bolt, Carriage, Round Head, 3/8-16 X 4 Inches, Zinc plated	4
4	34-00588-13	..... Washer, Flat, 3/8 Inch, Zinc Plated	4
5	34-00361-13	..... Nut, Hex, Lock, 3/8-16, Zinc Plated	4
6	AC020-009	Channel, Mounting, 3/16 X 30 Inches Long	2
	AC021-360	Channel, Mounting, 3/16 X 15.75 Inch, (Model 77-62112-80 & -82 Only)	2

**7.5 HARDWARE KIT, EVAPORATOR COVER MOUNTING, (REAR AND SIDE MOUNT)**


Item	Part Number	Description	
1	76-62103-00	Hardware Kit, Cover Mounting To Unit, Gray, Includes:	1
2	AC801-529	..... Washer, Snap Cap	8
3	AC801-532	..... Snap Cap, Gray	8
4	34-62046-00	..... Screw, Pan Head, Phillips, #10 X 5/8 Inch, AB, Black	8
5	76-62103-04	Hardware Kit, Cover Mounting To Unit, White, Includes:	1
6	AC801-529	..... Washer, Snap Cap	8
7	AC801-531	..... Snap Cap, White	8
8	34-50044-00	..... Screw, Pan Head, Phillips, #10 X 5/8 Inch, AB, Black	8



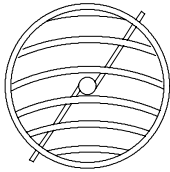
7.6 DEFLECTORS



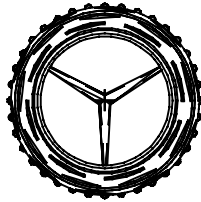
Item	Part Number	Description	
1	58-62185-00	Deflector, Gray, 8.50" x 4.75", ABS	1
	58-62185-01	Deflector, White, 8.50" x 4.75", ABS	1
2	58-01398-00	Deflector, Lt. Gray, 9.56" x 3.57", ABS	1
	58-01398-01	Deflector, White, 9.56" x 3.57", ABS	1



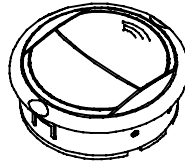
7.7 LOUVERS



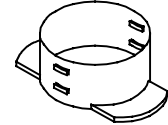
AC401-300



58-01379-00

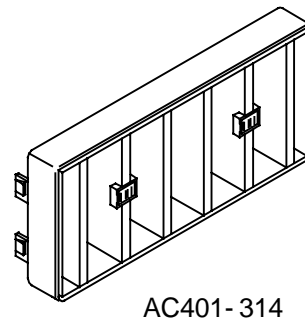
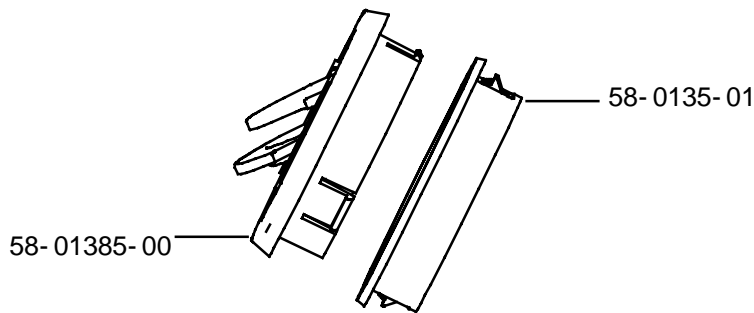


58-62077-00



AC401-307

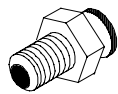
Part Number	Description
AC401-300	Grill, Round, 2 inch
AC401-301	Grill, Round, 3 inch
AC401-302	Louver, With Bezel - Black, 2 Inch X 1-1/2 Inch
58-01386-00	Ball Louver - 2-1/2 Inch Black, With Hose Back
AC401-306	Mounting Ring, Black - 2-1/4 Inch I.D.
AC401-307	Hose Adapter - 2-1/2 Inch
AC401-308	Louver, With Bezel - Black, 3 Inch X 7 Inch
AC401-309	Louver, Ball, 2 inch
AC401-310	Hose Connector - 2 Inch X 2-1/2 Inch
58-01379-00	Ball Louver, 2 Inch Black (Triple Vane) With 2.5 Inch Hose Adapter & Lock Ring
AC401-312	Louver Assembly With 2-1/2 Adapter, (401-313)
AC401-313	Louver Cover, (401-312)
AC401-314	Louver With Bezel - Black, 3-1/4 Inch X 7-3/4 Inch
AC401-315	Louver, With Bezel, Black, 1-1/2 inch X 4-3/4 inch
AC401-320	Louver, EM-1-2-3-6-14 (Gen III & GEN 4)
AC401-322	Adapter, Hose, 2 inch
AC401-323	Adapter, Hose, 3 inch
58-62077-00	Louver, Round, 2-1/2 Inch
58-01385-00	Louver, 3" (Requires 1 Ring 58-01385-01)
58-01385-01	Ring, Louver, Used With 58-01385-00



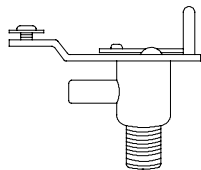
AC401-314



7.8 REFRIGERATION COMPONENTS



Valve, Air Vent



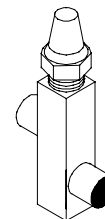
Valve - Heat Control



Core - Access Valve



Valve Body



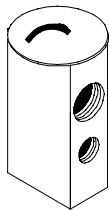
Shut- Off Valve

Part Number	Description
40-00081-00	Valve, Air Vent, 1/8 Inch MPT, Brass
AC101-408	Valve, Discharge, 5/8I Inch OD Tube
AC101-405	Valve, Drain Cock, 1/8 Inch MPT
AC101-406	Valve, Drain Cock, 1/4 Inch MPT
AC101-403	Valve, Water Service, Hand Operated
AC101-400	Valve, Heat Control, Cable Operated, (EM-21)
AC101-412	Valve, Refrigerant, 1/2 Inch Flare X 1/2 Inch Flare
AC101-415	Valve, Refrigerant, Angle, 1/2 Inch Flare X 1/2 Inch Flare
AC101-429	Valve, Shutoff, 1/2 Inch Flare X 1/2 Inch Flare
AC101-430	Valve, Shutoff, 1/2 Inch Female Flare X 1/2 Inch Male Flare O-Ring
AC101-428	Valve, Shutoff, 1/2 Inch Female Flare O-Ring X 1/2 Inch Male O-Ring
AC101-441	Valve, Shutoff, 5/8 inch Female O-Ring X 5/8 Inch Male O-Ring
EP32UZ232	Valve, Shutoff, 5/8 Inch Solder
AC101-404	Valve, Solenoid, 12 VDC, Refrigerant
AC101-401	Valve, Solenoid, 12 VDC, Water Service
AC101-407	Valve, Suction, 7/8 Inch OD Tube
AC101-425	Valve, 4-Way, Toggle, (Pivot Base)
AC101-426	Regulator, With Gauge, (Use with AC101-427)
AC101-427	Bracket, Regulator, (Use with AC101-426)
40-00190-00	Valve Body, 1/4 Inch MFL X 1/8 Inch MPT
17-13010-00	Fitting Access, 1/8 Inch MPT X 1/4 Inch Flare, With Schrader, Brass - Includes:
DD19CA061	...Cap, Seal, Flare, 1/4 Inch, Brass
14-00351-00	...Core, Access Valve (Nickel Plated)

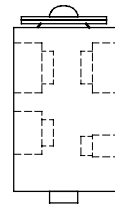


**7.9 THERMAL EXPANSION VALVE, BLOCK**

R- 12  
VALVE

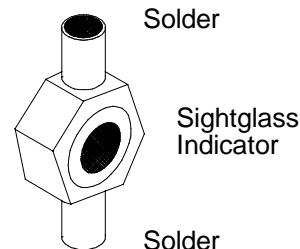
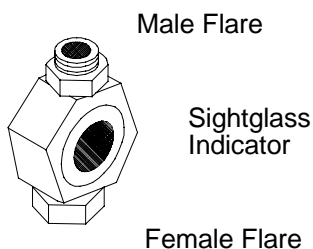


R- 134A  
VALVE  
14- 00301



N/A	Thermal Expansion Valve, Block, R12 (AC101-100)
AC040-076	Thermal Expansion Valve, Block, R12, (EM-21)
AC101-103	Thermal Expansion Valve, Block, R22
14-00301-03	Thermal Expansion Valve, Block, R134a (GEN III, GEN 4 & GEN 5)
AC040-103	Thermal Expansion Valve, Block, R134a, (EM-21)
AC101-101	Thermal Expansion Valve, 3/8 Inch Flare X 1/2 Inch Flare
AC101-102	Thermal Expansion Valve, 3/8 Inch O-Ring X 1/2 Inch O-Ring
AC101-108	Thermal Expansion Valve, 4 Ton, Externally Equalized, R12 / R134a

**7.10 SIGHTGLASSES**

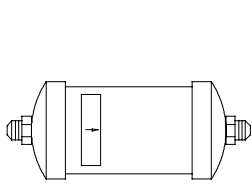


Part Number	Description
AC101-200	Sightglass Indicator. 1/2 Inch Male Flare X 1/2 Inch Female Flare (GEN 4) Includes:
P806-B2-8	.....Gasket, Flare, 1/2 SAE, Copper
AMI1SS3	Sightglass Indicator. 3/8 Inch Solder X 3/8 Inch Solder (AC101-201)
KM43AG301	Sightglass Indicator. 5/8 Inch Solder X 5/8 Inch Solder
AC101-202	Sightglass, Bullseye, 7/8-14 Thread (GEN III)
AC101-203	Sightglass, Moisture Indicator, 7/8-14 Thread (GEN 4 - GEN-V)

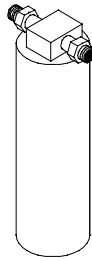




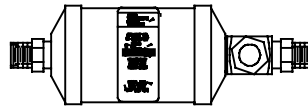
7.11 DRIERS



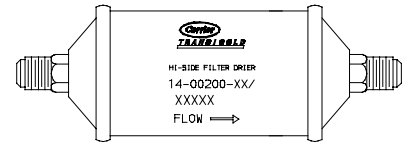
1, 2



5



11



12

Item	Part Number	Description
1	AC101-303	Filter Drier, 16 Cubic Inch, 1/2 Inch Flare
2	AC101-312	Filter Drier, 16 Cubic Inch, 1/2 Inch Flare-O, (GEN 4)
3	N/A	Receiver Drier, 3/8 Inch Flare (AC101-301)
4	AC101-302	Receiver Drier, 3/8 Inch O-Ring, With Low Pressure Switch
5	AC101-311	Receiver Drier, 3/8 Inch Male O-Ring X 3/8 Inch Male O-Ring
6	AC101-304	Receiver Drier, Push-On, #8 Hose
7	AC101-305	Receiver Drier, Push-On, #6 Hose
8	AC101-307	Receiver Tank, (RF Series)
9	AC101-310	Receiver, Vertical, (CM-8)
10	AC101-306	Filter, Suction, 5/8 Inch Flare
11	14-00288-00	Filter Drier/Sightglass, 16 Cubic Inch, 1/2 Inch MO-R, (With Moisture Indicator)
12	14-00200-00	Filter Drier, 41 Cubic Inch, 5/8 Inch Flare
13	14-00320-00	Filter Drier, 41 Cubic Inch, 3/4 ORS (IN) X 5/8 ORS (OUT)



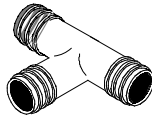
7.12 PLASTIC FITTINGS



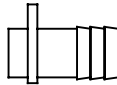
NYLON SPLICER



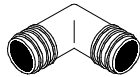
MPT TO BARB



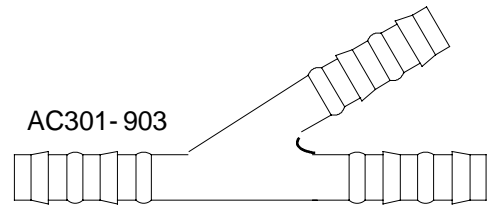
PLASTIC DRAIN TEE



Drain Pan Nipple



PLASTIC DRAIN ELBOW

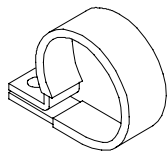


“Y” DRAIN LINE CONNECTION

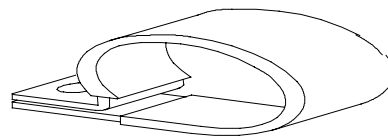
AC301-900	Fitting, Plastic, Drain Elbow, 90°, 1/2 Inch OD
AC301-901	Fitting, Plastic, Drain Tee, 1/2 Inch OD
AC301-902	Fitting, Plastic, Drain Tube, Straight, 1/2 Inch OD, Anti-Slip
AC301-903	Fitting, Plastic, Heater, “Y”, 5/8 OD or 3/4 Inch OD
N/A	Fitting, Plastic, Drain Tube, 90°, 1/2 inch OD, (EM-14) (AC301-904)
AC301-905	Elbow, Nylon, 90°, 1/4 Inch MPT, X 1/2 Inch Hose
AC301-907	Fitting, Plastic, Drain Tee, 5/8 Inch OD, (GEN III & GEN 4)
AC301-908	Fitting, Nylon, Drain Elbow, 90°, 5/8 Inch OD, (GEN III & GEN 4)
AC301-908-5	Fitting, Nylon, Drain Elbow, 90°, 1 Inch OD, (Blue Bird)
40-00541-00	Fitting, Hose, Plastic, 1 Inch MPT X 1 Inch “Barb”, (Black)
40-00541-01	Fitting, Hose, Plastic, 3/4 Inch MPT X 1 Inch “Barb”, (Black)
40-00541-02	Fitting, Hose, Plastic, 3/4 Inch MPT X 1 Inch “Barb”, (White)
58-62142-02	Fitting, Splicer, Nylon, 1/2 Inch OD
58-62142-03	Fitting, Splicer, Nylon, 5/8 Inch OD
58-01380-00	Fitting, Hose, Nylon “Y”, 5/8-3/4 Inch, Barbed (Black)
58-62159-00	Tube, Plastic, Drain Pans, GEN 5
58-50123-00	Fitting “Y” Connector, 1/2 “ OD Nylon Hose Barb



**7.13 INSULATED CLAMPS**



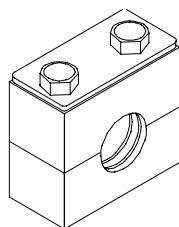
**INSULATED CLAMP**



**INSULATED CLAMP - DOUBLE HOSE**

<b>Part Number</b>	<b>Description</b>
34-00373-51	Clamp, Insulated, 1/4 Inch ID, Black
34-00373-53	Clamp, Insulated, 3/8 Inch ID, Black
34-00373-05	Clamp, Insulated, 1/2 Inch ID, Black
AC701-201	Clamp, Insulated, 5/8 Inch ID, Adel
44-00337-08	Clamp, Insulated, 3/4 Inch ID, Adel (AC701-221)
AC701-222	Clamp, Insulated, 7/8 Inch ID, Adel
44-00337-11	Clamp, Insulated, 1 Inch ID, Adel (AC701-223)
AC701-224	Clamp, Insulated, 1-1/8 Inch ID, Adel
AC701-245	Clamp, Insulated, 1-1/4 Inch ID, Black
AC701-230	Clamp, Insulated, 1-1/2 Inch ID, Black
AC701-263	Clamp, Insulated, Heavy Duty, 1-1/2 Inch ID, Black
AC701-246	Clamp, Insulated, 1-3/8 Inch ID, Black
AC701-227	Clamp, Insulated, 1-3/4 Inch ID, Black
34-00373-27	Clamp, Insulated, 1-7/8 Inch ID, Black
AC701-233	Clamp, Insulated, Double, 5/8 Inch OD, Tube
AC701-226	Clamp, Insulated, Double Hose, Black

**7.14 STAUFF CLAMPS**

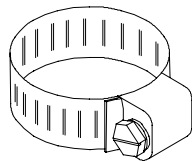


**STAUFF CLAMP**

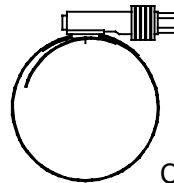
AC701-248	Clamp, Stauff, 5/8 Inch OD Tube
AC701-242	Clamp, Stauff, 3/4 Inch OD Tube
44-00285-72	Clamp, Stauff, 7/8 Inch OD Tube
AC701-241	Clamp, Stauff, 1-1/8 Inch OD Tube
AC701-240	Clamp, Stauff, 1-3/8 Inch OD Tube
AC701-254	Clamp, Stauff, 1-3/8 Inch OD Tube, High Temperature



7.15 HOSE CLAMPS



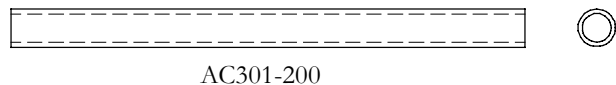
HOSE CLAMP



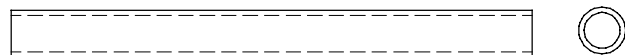
44-62003-00 THRU -03  
CLAMP, CONSTANT TORQUE

Part Number	Description
AC701-205	Clamp, Drain Hose
AC701-207	Clamp, #16 Hose
AC701-211	Clamp, Hose, Mini, 7/32 Inch to 5/8 Inch Diameter
44-00045-28	Clamp, Hose, 1/2 Inch to 1-1/4 Inch Diameter <b>(NSI)</b>
AC701-229	Clamp, Hose, 1-1/8 Inch to 3 Inch Diameter
AC701-210	Clamp, Hose, 1-5/16 Inch to 2-1/4 Inch Diameter
AC701-247	Clamp, Hose
AC701-269	Clamp, Hose, 2-1/16 Inch to 3 Inch, Stainless Steel,, (GEN III / GEN 4)
44-62003-00	Clamp, Constant Torque (Effective Range: 2.75 - 3.62)
44-62003-01	Clamp, Constant Torque (Effective Range: 3.25 - 4.13)
44-62003-02	Clamp, Constant Torque (Effective Range: 1.75 - 2.63)
44-62003-03	Clamp, Constant Torque (Effective Range: 2.25 - 3.13)

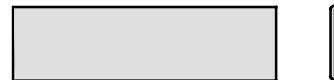
7.16 CONDENSATE VALVE & DRAIN HOSE



AC301-200



AC301-239



AC301-204

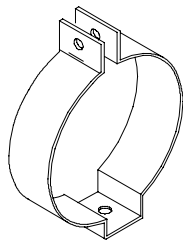


AC301-240

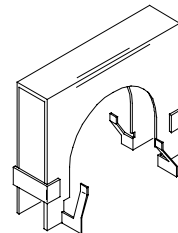
Part Number	Description
AC301-204	Hose, Condensate Valve, 1 Inch X 3 inch Long, GEN I, GEN II & GEN 5 (Kazoo)
AC301-240	Hose, Condensate Valve, 1-1/4 Inch X 3 inch Long, GEN III & GEN 4 (Kazoo)
AC301-200	Hose, Drain, 1/2 Inch ID X 50 Feet Long, (GEN I, GEN II & GEN 5)
AC301-239	Hose, Drain, 5/8 Inch ID X Foot, (GEN III & GEN 4)



**7.17 MISCELLANEOUS CLAMPS**



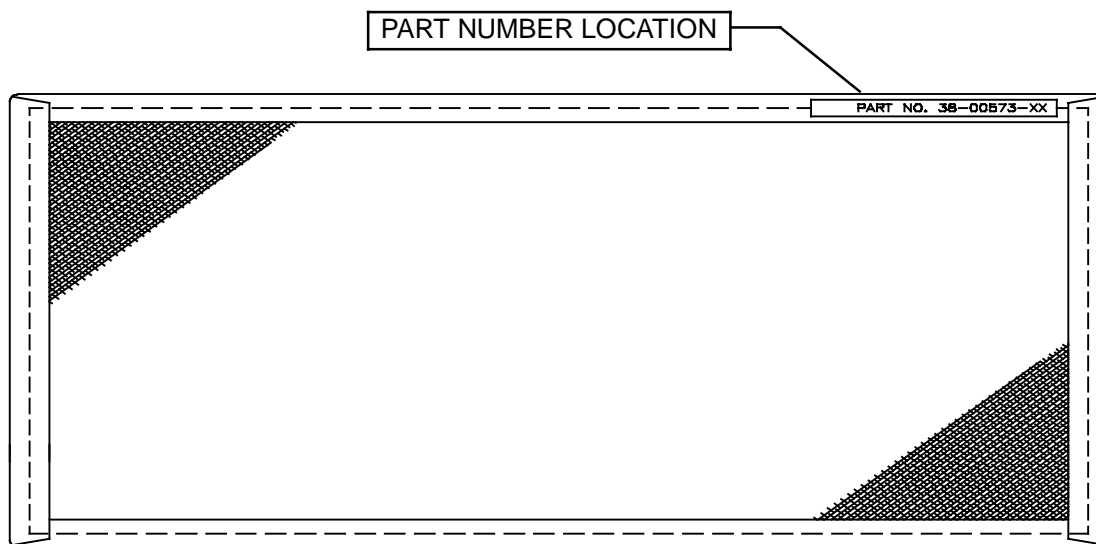
Filter Drier Mounting Clamp



Spring-Lock Clip

N/A	Clip, Spring-Lock, #8 (AC701-251)
N/A	Clip, Spring-Lock, #10 (AC701-252)
N/A	Clip, Spring-Lock, #12 (AC701-253)
AC701-235	Clamp, Lock, #6 to #12 Hose
AC701-243	Clamp, Conduit, 3 Inch, Stainless Steel
AC701-208	Clamp, Filter Drier Mounting, (GEN I & II)
AC701-212	Clamp, Muffler, 1-1/2 Inch
AC701-231	Clamp, One Hole Strap, 2 Inch ID, (CM-9)
AC701-274	Clamp, Slotted, 3/8 Inch Conduit, (GEN III & GEN 4)
AC701-206	Clamp, Thermostat Coil
AC701-237	Connector, Romex, 1/2 Inch

**7.18 RETURN AIR FILTERS**



Part Number	Description
38-00573-00	Filter, Return Air, EM-22, 13.82 x 8.00 Inches (351.0 x 203.2 MM)
38-00573-01	Filter, Return Air, EM-1, 36.50 x 9.00 Inches (927.1 x 228.6 MM)
38-00573-02	Filter, Return Air, EM-2, 27.92 x 9.00 Inches (709.2 x 228.6 MM)
38-00573-03	Filter, Return Air, EM-7, 20.65 x 9.00 Inches (524.5 x 228.6 MM)
38-00573-04	Filter, Return Air, EM-3, 26.81 x 9.00 Inches (681.0 x 228.6 MM)
38-00573-05	Filter, Return Air, IW-7, 19.00 x 5.50 Inches (482.6 x 139.7 MM)
38-00573-06	Filter, Return Air, IW-2, 26.30.82 x 5.75 Inches (668.0 x 146.1 MM)
38-00573-07	Filter, Return Air, EM-3 Gen 4, 26.25 x 8.00 Inches (666.8 x 203.2 MM)



7.18 RETURN AIR FILTERS (Continued)	
38-00573-08	Filter, Return Air, IW-1, 34.00 x 6.40 Inches (863.6.0 x 162.6 MM)
38-00573-09	Filter, Return Air, ESS, 18.20 x 8.00 Inches (462.3 x 203.2 MM)
AC801-405	Filter, Return Air, EM-1 (G4), 35.00 x 7.25 Inches (889 x 184.2 MM)
AC801-452	Filter, Return Air, EM-3 (G4), 26.25 x 8.25 Inches (666.8 x 209.6 MM)
AC801-462	Filter, Return Air, EM6 (G4), 19.00 x 8.00 Inches (482.6 x 203.2 MM)
AC801-461	Filter, Return Air, EM-14 (G4), 28.50 x 5.00 Inches (723.9 x 127 MM)
AC801-443	Filter, Return Air, EM17 (G4), 41.50 x 12.5 Inches (1054.1 x 317.5 MM)
38-00558-00	Filter, Return Air, EM9 (G4), 18.25 x 6.50 Inches (463.6 x 165.1 MM)



# INDEX

PART NO.	PAGE NO.	PART NO.	PAGE NO.
<b>0</b>			
02-00067-01	256	08-62068-00	7, 53, 63
04-50023-00	100, 101, 102, 104, 304	08-62076-00	147, 149
08-01068-00	17, 111	08-62080-00	138
08-01068-01	32, 42, 49	08-62081-00	218
08-01068-02	75, 84	08-62081-01	218
08-50017-00	108	<b>1</b>	
08-50018-00	213	10-00286-00	299
08-50020-00	214	10-00286-03	299, 326
08-50021-00	109	10-00286-09	299, 326, 327, 329
08-62005-00	202, 204	10-00286-12	299
08-62023-00	100	10-00286-14	299
08-62035-00	161	10-00300-00	202
08-62035-01	180	10-00300-02	327, 329
08-62036-00	208, 211	10-00311-00	326, 327, 329
08-62038-00	244, 248, 250, 254	10-00312-00	326, 327, 329
08-62038-01	244, 248, 250, 254	10-00317-01	212
08-62045-00	143	10-00328-07	298, 299, 316, 317, 318, 319
08-62045-01	129	10-00436-01	326
08-62046-00	246, 252	10-50052-00	302, 327, 329
08-62046-01	246, 252	10-50052-01	302, 327, 329
08-62056-01	115	10-50067-00	108
08-62057-00	262	10-50068-00	108
08-62057-01	262	10-50069-00	108
08-62059-00	1, 3, 24, 27, 29	108-1921Z	288
08-62060-00	1, 24, 27	12-00299-01	101
08-62061-00	67, 70	12-00299-02	100, 103
08-62062-00	67, 70	12-00299-09	100, 103
08-62063-00	95	12-00299-11	202
08-62064-00	95, 157, 159	12-00299-18	100, 103
08-62065-00	90	12-00299-23	177, 178, 197, 198, 250, 254
08-62066-00	90	12-00305-04	118
08-62067-00	53, 63	12-00305-07	313
		12-00334-02	100, 103

# INDEX

PART NO.	PAGE NO.	PART NO.	PAGE NO.
12-00334-03	100, 103	14-01042-08	212
12-00512-00	312	14-01104-37	101
12-00512-02	312	14-01104-39	100, 103, 105
12-00533-00	8, 33, 59, 78	14-50047-00	100
12-00533-01	117	14-50097-00	108
12-00547-00	144	14-50098-00	108, 109
12-00567-00	312	17-10812-01	212
12-00570-00	312	17-13010-00	346
12-00657-00	326, 327, 329	17-31244-00	292, 293
12-00672-00	313	17-31248-00	293
12-00672-01	313	17-31258-00	290
12-00672-02	313	17-31262-00	293
12-00672-03	313	17-31307-00	290
12-00685-00	3, 7, 17, 24, 29, 32, 42, 49, 56, 63, 70, 75, 84, 111, 115, 129, 139, 147, 149, 157, 159, 301	18-00073-00	294
12-01132-00	202, 204	18-00073-01	294
12-50139-00	108, 109	18-00093-00	284
12-50140-00	108, 109	18-00093-01	284
14-00026-04	244, 246, 250, 252	18-00093-05	287
14-00029-04	211, 244, 248, 250, 254	18-00093-06	288
14-00029-07	202, 204	18-00093-07	287, 288
14-00029-09	246, 252	18-00093-09	287, 288
14-00200-00	206, 348	18-00093-10	288
14-00288-00	161, 180, 218, 262, 348	18-00093-11	288
14-00301-03	347	18-00093-12	288
14-00320-00	244, 246, 250, 252, 348	18-00093-13	288
14-00326-05	224, 226	18-00093-14	284
14-00351-00	103, 105, 129, 144, 206, 224, 226, 228, 244, 246, 250, 252, 254, 346	18-00093-15	284
14-00397-00	1, 3, 7, 17, 24, 27, 29, 32, 42, 49, 53, 56, 63, 67, 70, 75, 84, 90, 95, 108, 109, 111, 115, 129, 138, 144, 147, 149, 157, 159	18-00093-16	284
14-01032-01	206, 225, 226, 228, 244, 246, 248, 250, 252, 254	18-00093-17	288
		18-10123-00	291
		18-10123-02	291
		18-10123-04	291
		18-10123-06	291
		18-10123-07	291
		18-10123-08	291



# INDEX

PART NO.	PAGE NO.	PART NO.	PAGE NO.
18-10123-09	291	22-01566-00	179, 199, 231, 232, 233, 256, 258, 260
18-60012-11	292	22-01566-01	106, 107, 179, 199, 232, 233, 237, 238
<b>2</b>			
21-2041	100, 102, 104	22-01584-00	100, 103
22-00066-01	91, 96, 140	22-01585-00	106, 179, 199, 231, 232, 233, 234, 235, 236, 237, 238, 256, 257
22-00066-03	91, 92, 96, 97, 116, 132, 140, 151	22-01585-02	213, 232, 233, 237, 238, 321, 322
22-00118-02	260	22-01585-04	256, 258, 260
22-00119-03	8, 9, 10, 33, 34, 35, 57, 59, 76, 77	22-01585-05	231, 232, 233, 234
22-00119-05	106, 107	22-01827-01	326
22-00121-25	57	22-01828-00	326
22-00121-27	8, 9, 10, 33, 34, 35, 57, 58, 59, 76, 77, 78, 79	22-02245-01	20, 45, 87
22-00872-01	9, 10, 21, 34, 35, 46, 59, 76, 77, 88, 107, 117, 140, 151	22-02245-02	8, 20, 21, 26, 33, 45, 46, 51, 57, 59, 65, 72, 76, 78, 87, 88, 91, 92
22-00872-03	10, 20, 21, 35, 45, 46, 59, 77, 87, 88, 117, 140, 151	22-02336-01	297
22-01139-02	9, 20, 34, 45, 58, 78, 87, 116	22-02336-02	297
22-01139-05	58	22-02336-04	297
22-01140-02	8, 9, 10, 20, 21, 33, 34, 45, 46, 57, 58, 59, 78, 79, 87, 88, 96, 97, 106, 107, 116, 118, 132, 140, 151	22-02336-06	202, 297, 326, 327, 329, 331
22-01140-04	9, 20, 34, 45, 58, 78, 87	22-02336-15	297
22-01140-05	57, 58	22-02336-16	326, 327, 329
22-01141-01	26, 51, 65, 72	22-02336-17	297, 298, 317, 318, 327, 329
22-01142-XX	26, 51, 65, 72	22-02336-21	331
22-01258-01	96, 97, 116, 117, 118, 132, 140, 151	22-02336-23	256
22-01334-00	300	22-02336-24	75, 256, 258
22-01334-07	300, 326, 328, 330	22-02336-25	161, 163, 164, 165, 167, 170, 177, 180, 183, 184, 185, 187, 190, 197, 208, 258, 264, 266, 304
22-01334-09	300	22-02336-26	26, 51, 65, 72, 171, 191, 264, 266
22-01334-11	300	22-02336-31	297
22-01334-13	300	22-02338-02	297
22-01449-00	327, 329	22-02338-03	256, 258
22-01502-00	26, 51, 65, 72, 91, 92, 96, 97, 172, 173, 192, 193	22-02338-07	26, 51, 65, 72
		22-02392-00	106, 118, 165, 166, 167, 172, 185, 186, 187, 192, 193, 208, 258
		22-02392-01	103, 105, 232, 233, 237, 238
		22-02392-03	256, 258, 260

# INDEX

PART NO.	PAGE NO.	PART NO.	PAGE NO.
22-02392-04	231, 232, 233, 234	22-50078-49L	202
22-02393-00	231, 232, 233, 256, 258, 260	22-50078-50A	163, 173, 183, 192
22-02393-01	103, 105, 106, 107, 118, 165, 166, 167, 172, 185, 186, 187, 192, 193, 208, 232, 233, 237, 238, 256, 257, 321, 322	22-50078-52E	172, 185, 192
22-02394-00	118, 165, 166, 167, 172, 179, 185, 186, 187, 192, 193, 199, 208, 214, 231, 232, 233, 256, 258, 260	22-50078-53C	117, 140, 151
22-02394-01	103, 105, 213, 234, 235, 236, 237, 238, 256, 257	22-50078-53D	117, 140, 151
22-02394-02	106, 107, 179, 199, 232, 233, 237, 238	22-50078-55	234, 235, 236, 237, 238
22-02897-09	316, 317	22-50078-58F	322
22-02897-13	318	22-50078-58H	213, 234, 235, 236, 237, 238
22-02898-00	297	22-50078-63	322
22-50030-00	100, 103, 105	22-50078-64	321
22-50078-01	214	22-50078-72	173, 183, 192
22-50078-01A	214	22-50078-72A	163, 173, 183, 192
22-50078-02	214	22-50078-73	323
22-50078-18	298, 316, 317, 318, 319	22-50078-86	10, 21, 35, 46, 59, 77, 88, 117, 140, 151
22-50078-22	202	22-50078-86A	10, 21, 35, 46, 59, 77, 88, 117, 151
22-50078-23	202	22-50078-86B	10, 21, 35, 46, 59, 77, 88
22-50078-39A	172, 192	22-50078-87	321, 322, 323
22-50078-40	165, 172, 185, 192	22-50079-72	163
22-50078-45	321, 322, 323	22-50091-00	100, 101, 102, 104, 304
22-50078-46A	163, 173, 183, 192, 321, 322, 323	22-50098-67	10, 21, 35, 46, 59, 77, 88, 117, 140, 151, 163, 173, 183, 192
22-50078-46B	323	22-50098-67A	10, 21, 35, 46, 59, 77, 88, 117, 140, 151
22-50078-47B	214	22-50098-67B	10, 21, 35, 46, 59, 77, 88, 117, 140, 151, 163, 165, 173, 183, 192
22-50078-47E	214, 234, 235, 236, 237, 238	22-50098-67C	10, 21, 35, 46, 59, 77, 88, 117, 140, 151
22-50078-48G	172, 185, 192	22-50098-67D	10, 21, 35, 46, 59, 77, 88, 117, 140, 151, 163, 165, 173, 183, 192
22-50078-49A	10, 21, 35, 46, 59, 77, 88, 117, 140, 151	22-50098-71	260, 321, 322, 323
22-50078-49C	10, 21, 35, 46, 59, 77, 88, 117, 140, 151	22-50098-71A	321, 322, 323
22-50078-49E	321, 322, 323	22-50098-71B	321, 322, 323
22-50078-49H	321, 322, 323	22-50098-91A	326
		22-50099-27	172, 193
		22-50099-27A	172, 193
		22-50099-28	167, 187, 209, 235, 236, 237, 238

# INDEX

PART NO.	PAGE NO.	PART NO.	PAGE NO.
22-50099-28A	167, 187, 209, 235, 236, 237, 238	22-62052-00	266
22-50099-29	235, 236, 237, 238	22-62053-00	264
22-50099-29A	235, 236, 237, 238	22-62100-01	7, 56
22-50099-32	9, 20, 34, 45, 76, 87, 92, 97, 116, 118, 132, 151	22-62101-00	302
22-50099-32A	9, 20, 34, 45, 76, 87, 92, 97, 116, 118, 132, 151	22-62102-00	302
22-50099-32B	9, 20, 34, 45, 76, 87	22-62103-00	302
22-50099-37	9, 20, 34, 45, 76, 87, 92, 97, 116, 118, 132, 151	22-62110-00	297, 298, 317, 318
22-50099-37A	9, 20, 34, 45, 76, 87, 92, 97, 116, 118, 132, 151	22-62119-00	297
22-50099-37D	9, 20, 34, 45, 76, 87, 92, 97, 116, 118, 132, 151	22-62119-01	297
22-50341-00	108	22-62119-02	297
22-50342-00	108	22-62122-00	309
22-50343-00	213	22-62123-00	161, 164
22-50358-00	214	22-62124-00	180, 184
22-50371-00	166, 167, 186, 187, 208	22-62125-00	2
22-50372-00	166, 167, 186, 187, 208	22-62131-00	308
22-60168-03	312	22-62141-00	31
22-60168-04	312	22-62141-01	56, 75
22-60254-08	116	22-62153-00	256
22-60254-27	116	22-62163-00	211
22-60551-07	312	22-62169-00	7, 32, 56, 75, 84, 301
22-62002-00	96, 97, 116, 117, 118, 132, 140, 151, 157, 159	22-62175-00	144
22-62007-00	301	22-62205-00	183, 192
22-62012-00	203	22-62206-00	163, 173
22-62035-00	102	22-62210-00	298
22-62036-00	328, 330, 331	22-62210-01	298
22-62037-00	328, 330	22-62210-02	298
22-62038-00	330	22-62210-04	298
22-62039-01	328, 330, 331	22-62210-05	298
22-62039-02	328, 330	22-62212-00	311
22-62040-00	328, 330, 331	22-62212-01	311
		22-62212-02	311
		22-62213-00	311
		22-62213-01	311
		22-62214-30	311
		22-62214-58	311

# INDEX

PART NO.	PAGE NO.	PART NO.	PAGE NO.
22-62214-68	311	22-62351-00	257
22-62216-00	328, 330	22-62351-01	257
22-62221-02	140		
22-62238-00	298	<b>3</b>	
22-62238-01	298	31-1247	8, 33, 57, 76, 91, 92
22-62238-02	298	34-00361-13	343
22-62238-03	298	34-00373-05	350
22-62240-00	2, 115	34-00373-27	350
22-62240-01	159	34-00373-51	350
22-62243-00	255, 256	34-00373-53	350
22-62243-01	255, 256	34-00482-05	7, 32, 56, 75
22-62249-00	260	34-00588-13	343
22-62252-00	309	34-00928-09	256
22-62258-00	185, 186, 192	34-00945-10	277
22-62260-00	165, 172	34-06088-00	246, 252
22-62272-00	187, 193	34-06088-01	102, 104
22-62273-00	166, 167, 172	34-06088-04	103, 105
22-62274-00	115	34-06088-07	168, 174, 177, 178, 188, 194, 197, 198
22-62275-00	208	34-06121-03	246, 250
22-62277-00	167, 187, 209	34-06121-04	246, 250
22-62282-00	115, 130	34-06169-01	11, 12, 36, 37, 60, 80, 81, 112, 160
22-62290-00	313	34-50044-00	343
22-62290-01	313	34-50068-00	343
22-62290-02	313	34-62011-00	174
22-62290-10	313	34-62015-00	242
22-62294-00	139	34-62016-00	244, 246, 248, 250, 252, 254, 259
22-62299-00	115	34-62017-00	256, 257
22-62303-00	216	34-62019-00	11, 12, 36, 37, 60, 80, 81, 112, 160
22-62312-00	218	34-62020-00	11, 12, 36, 37, 60, 80, 81, 112, 160
22-62328-00	7, 297	34-62046-00	343
22-62328-01	31, 55, 297	34-67025-00	242
22-62328-02	7, 75, 297	38-00558-00	93, 353
22-62328-03	31, 55, 297	38-00564-50	7
22-62333-00	104	38-00564-51	32



# INDEX

PART NO.	PAGE NO.	PART NO.	PAGE NO.
38-00564-52	75	40-00501-05	206, 226, 244, 246, 250, 252
38-00564-53	56	40-00501-50	206, 226, 244, 246, 250, 252
38-00566-00	256, 257	40-00503-03	244, 246, 250
38-00573-00	352	40-00503-04	244, 246, 250
38-00573-01	11, 12, 18, 19, 112, 123, 160, 352	40-00520-02	275
38-00573-02	36, 37, 43, 44, 80, 81, 352	40-00520-03	275
38-00573-03	85, 86, 352	40-00541-00	349
38-00573-04	60, 352	40-00541-01	349
38-00573-05	144, 352	40-00541-02	349
38-00573-06	133, 134, 136, 352	40-01124-00	103, 105, 143, 224, 228, 250, 254
38-00573-07	53, 63, 352	40-60008-03	224, 226
38-00573-08	122, 123, 124, 125, 126, 127, 353	40-60008-04	225, 227, 229
38-00573-09	353	40-60009-03	224, 226
38-00573-10	135, 136	40-60009-04	225, 227, 229
38-00573-11	141, 142	40-60042-01	225, 229, 275
38-00573-12	152, 153, 154, 155	40-62008-03	272, 277
38-50032-00	108, 109	40-62008-04	272, 277
		40-62008-05	272, 277
		40-62019-01	274
		40-62019-02	274
		40-62019-03	274
		40-62032-01	211, 212, 244, 248, 250, 254, 260
		40-62032-02	206, 211, 260
		40-62033-03	272
		40-62033-04	272
		40-62033-05	272
		40-62036-00	161, 180, 208, 211
		40-62043-00	274
		40-62057-03	272
		40-62058-00	274
		40-62068-00	273
		40-62068-01	273
		40-62070-00	274
		40-62071-00	274
		40-62078-00	272

## 4

40-00081-00	346
40-00097-10	206
40-00124-00	129
40-00169-13	212
40-00169-33	206
40-00190-00	346
40-00201-04	211
40-00243-21	277
40-00490-12	212
40-00491-00	202, 227, 246
40-00491-01	100, 102, 104
40-00491-09	202, 206, 224, 226, 228
40-00491-10	228
40-00491-15	100, 103, 105
40-00491-18	212



# INDEX

PART NO.	PAGE NO.	PART NO.	PAGE NO.
40-62079-00	272	42-00243-12	225, 227, 229
40-62090-00	273	42-00243-15	244, 246, 250, 252
40-62091-00	273	42-00243-21	276
40-62092-00	273	42-00264-63	153
40-62095-00	275	42-01266-00	147
40-62096-00	275	42-62052-00	31, 56, 75
40-62099-00	275	42-62140-00	7, 17
40-62103-50	278	42-62140-01	31, 42, 55, 75
40-62103-55	278	42-62140-02	84
40-62113-00	273	44-00045-06	108, 109
40-62113-01	273	44-00045-19	168, 174, 177, 178, 188, 194, 197, 198
40-62116-00	275	44-00045-20	244, 246, 250
40-62117-00	275	44-00045-28	351
40-62119-00	272	44-00285-72	350
40-62120-00	272	44-00285-81	244, 248, 250, 254
40-62125-08	225, 227, 229	44-00285-82	203, 206
40-62126-00	273	44-00285-83	203
40-62136-50	277	44-00337-08	350
40-62136-51	277	44-00337-11	350
40-64075-53	278	44-00337-12	103, 105
40-64075-55	278	44-50024-00	161, 180
40-64115-50	278	44-62003-00	351
40-64115-51	278	44-62003-01	351
40-67014-03	227	44-62003-02	351
42-00032-00	3, 29, 32, 56, 75, 108, 109, 115, 130, 157, 159	44-62003-03	351
42-00032-01	144	46-50004-00	295
42-00221-18	263	46-50006-00	295
42-00221-19	265	48-62013-00	332
42-00221-20	263, 265		
42-00221-21	263, 265	<b>5</b>	
42-00243-00	202, 227	50-50062-00	295
42-00243-03	202, 224, 226, 228	50-50070-00	295
42-00243-04	224, 226, 228	50-50072-00	295
42-00243-11	227, 244, 246, 250, 252	50-50074-00	291



# INDEX

PART NO.	PAGE NO.	PART NO.	PAGE NO.
50-50076-00	291	50-62000-40	336
50-60135-00	290	50-62000-41	336
50-62000-00	335	50-62000-43	336
50-62000-01	335	50-62000-44	336
50-62000-06	336	50-62000-46	335
50-62000-08	335	50-62000-47	336
50-62000-09	335	50-62000-48	335
50-62000-11	335	50-62000-50	335
50-62000-12	335	50-62000-52	335
50-62000-13	336	50-62000-53	335
50-62000-14	336	50-62000-54	335
50-62000-15	336	50-62000-55	335
50-62000-16	335	50-62000-57	335
50-62000-17	335	50-62000-58	336
50-62000-18	335	50-62000-59	336
50-62000-19	335	50-62000-60	335
50-62000-20	335	50-62000-61	335
50-62000-21	336	50-62000-62	335
50-62000-22	335	50-62000-63	335
50-62000-23	336	50-62000-65	336
50-62000-24	335	50-62000-66	336
50-62000-25	335	50-62000-67	336
50-62000-26	335	50-62000-68	336
50-62000-27	335	50-62000-69	336
50-62000-28	335	50-62000-70	337
50-62000-29	336	50-62000-71	337
50-62000-30	335	50-62000-72	337
50-62000-31	335	50-62000-73	337
50-62000-32	335	50-62000-74	337
50-62000-33	335	50-62000-75	337
50-62000-36	335	50-62000-76	337
50-62000-37	335	50-62000-77	337
50-62000-38	335	50-62000-78	336
50-62000-39	336	50-62000-79	336
		50-62000-80	336



# INDEX

PART NO.	PAGE NO.	PART NO.	PAGE NO.
50-62000-81	336	50-62010-23	339
50-62000-82	337	50-62011-00	333
50-62000-83	337	50-62012-00	333
50-62000-84	336	50-62014-00	333
50-62000-85	336	50-62017-00	333
50-62000-86	336	50-62019-00	338
50-62000-87	336	50-62019-10	338
50-62000-88	337	50-62019-25	338
50-62000-89	337	50-62019-29	338
50-62000-90	337	50-62019-30	338
50-62000-91	336	50-62019-31	338
50-62000-92	336	50-62019-32	338
50-62000-95	336	50-62019-34	338
50-62000-96	336	50-62019-35	338
50-62000-97	336	50-62019-39	338
50-62002-00	333	50-62019-40	338
50-62003-00	333	50-62019-45	338
50-62005-00	333	50-62019-46	338
50-62006-00	333	50-62019-61	338
50-62007-00	333	50-62019-64	338
50-62009-00	333	50-62019-67	338
50-62009-02	333	50-62019-68	339
50-62010-00	339	50-62019-69	339
50-62010-01	339	50-62025-00	333
50-62010-02	339	50-62029-00	334
50-62010-03	339	50-62031-00	334
50-62010-04	339	50-62032-00	334
50-62010-06	339	50-62040-00	334
50-62010-07	339	50-62041-00	334
50-62010-13	339	50-62045-00	334
50-62010-14	339	50-62045-01	334
50-62010-17	339	50-62048-00	334
50-62010-20	339	50-62049-00	334
50-62010-22	339	50-62051-00	332, 334
		50-62054-00	334



# INDEX

PART NO.	PAGE NO.	PART NO.	PAGE NO.
50-62056-00	334	54-50107-00	108, 109
50-62057-00	334	54-50108-00	213, 214
50-62059-00	334	56-62037-01	260
50-62064-00	334	56-62123-00	101
50-62066-00	334	56-62134-00	103, 105
50-62069-00	334	56-62311-00	260
50-62070-00	334	58-00065-26	130, 144
50-62070-01	334	58-00065-27	105
50-62072-00	334	58-00065-51	256, 257
50-62073-00	334	58-00065-52	231, 232, 233
50-62075-00	337	58-00065-83	130, 144
50-62075-01	337	58-00079-02	190, 191, 203, 256
50-62075-02	337	58-00661-04	138, 147, 149
54-00545-00	166, 186, 208, 211, 304	58-00661-06	129
54-00546-03	115, 305	58-00661-07	117, 151, 234, 235, 236, 237, 238
54-00583-00	255, 257	58-00716-12	108, 109
54-00583-01	255, 257	58-00849-11	260
54-00588-00	3, 29, 306	58-01379-00	345
54-00606-00	144, 306	58-01380-00	349
54-00618-01	161, 163, 164, 165, 167, 170, 180, 183, 184, 185, 187, 190, 208, 264, 266, 304	58-01382-00	342
54-00618-02	171, 191, 203, 208, 264, 266	58-01382-01	342
54-00618-03	177, 197	58-01383-00	342
54-00622-00	230	58-01383-01	342
54-00622-01	230	58-01384-00	342
54-00643-00	218	58-01384-01	342
54-00646-00	17	58-01385-00	345
54-00646-01	42	58-01385-01	345
54-00646-02	84	58-01386-00	4, 52, 345
54-00646-50	17, 42, 84	58-04764-00	168, 174, 177, 178, 188, 194, 197, 198
54-00646-60	17	58-50115-00	109
54-00646-61	42	58-50116-00	109
54-00646-62	84	58-50117-00	109
54-50080-00	161, 180, 304	58-50118-00	108
		58-50119-00	108, 109
		58-50120-00	108, 109

# INDEX

PART NO.	PAGE NO.	PART NO.	PAGE NO.
58-50121-00	108, 109	58-62203-01	135
58-50122-00	108, 109	58-62203-02	135
58-50123-00	349	58-62203-03	135
58-62019-00	163, 164, 165, 166, 167, 170, 171, 174, 177, 183, 184, 185, 186, 187, 190, 191, 194, 197, 208, 211, 264, 266	58-62204-00	342
58-62030-00	340	58-62205-00	342
58-62030-01	340	58-62206-00	136
58-62030-02	340	58-62206-01	136
58-62030-10	340	58-62209-00	127, 141, 142, 153, 155
58-62040-00	242	58-62217-04	141, 142
58-62040-02	242	58-62223-00	218
58-62042-00	11, 12, 18, 19, 36, 37, 43, 44, 60, 80, 81, 85, 86, 122, 123, 124, 125, 126, 134, 135, 136, 152, 153, 154	<b>6</b>	
58-62062-00	340	65-00193-00	168, 174, 177, 178, 188, 194, 197, 198
58-62062-01	340	65-01035-01	206
58-62062-02	340	65-62003-00	244, 248, 250, 254
58-62062-10	340	65-62003-01	244, 246, 248, 250, 252, 254
58-62064-00F25	7, 31, 55, 75	65-62004-00	296
58-62064-01	219	66-U---1--1214-5	103, 105
58-62077-00	11, 12, 36, 37, 80, 81, 345	66U1-1214-5	100, 101
58-62121-00	272	66U1-3882	166, 167, 208, 216, 256, 264, 266
58-62142-02	349	68-07962-00	133, 134
58-62142-03	349	68-08121-01	195, 197, 200
58-62156-12	141	68-08121-02	195
58-62159-00	349	68-08122-01	175, 177
58-62172-00	260	68-08122-02	175
58-62184-00	342	68-08123-00	197
58-62186-00	17	68-08124-00	175, 177, 195
58-62186-01	42	68-08182-01	127
58-62186-02	84	68-08211-00	147
58-62191-00	342	68-08216-00	121
58-62203-00	135	68-08217-00	121
		68-08250-00	147
		68-08277-00	176
		68-08278-00	196

# INDEX

PART NO.	PAGE NO.	PART NO.	PAGE NO.
68-15461-00	180	68-63764-00	120
68-50086-00	108, 109	68-63808-01	141, 142
68-50087-00	108	68-63874-00	13, 38
68-62139-00	277	68-63875-00	13
68-62494-00	176, 196	68-63878-00	38
68-63217-00	111	68-63885-00	219
68-63265-00	209	68RT10-1462	206
68-63268-00	157, 159		
68-63275-03	60	<b>7</b>	
68-63410-00	147	73-62003-00	242
68-63416-00	119	73-67002-00	230
68-63417-00	119	76-62019-00	2, 3, 27, 29, 53, 67, 90, 301
68-63440-00	119	76-62103-00	343
68-63441-00	119	76-62103-01	343
68-63529-00	131	76-62103-04	343
68-63529-01	131	76-62139-00	312
68-63540-00	311	76-62257-00	7, 32, 56, 75
68-63547-00	311	77-00249-50	174
68-63566-00	209	77-00250-50	194
68-63616-01	136	77-01277-50	188
68-63617-00	131	77-01286-50	168
68-63644-00	311	77-62135-00	307
68-63644-01	311	77-62171-00	265
68-63648-00	242	77-62171-01	263
68-63659-00	108, 109	77-62171-02	265
68-63660-00	108, 109	77-62171-03	263
68-63691-00	260	77-62171-04	263
68-63703-00	133, 134	77-62171-05	265
68-63727-00	147	77-62171-06	263
68-63737-00	153	79-02383-00	2, 24, 49
68-63754-00	135, 136	79-62035-01	11
68-63756-00	120	79-62035-02	11
68-63757-00	120	79-62036-01	12
68-63763-00	120	79-62036-02	12
		79-62044-01	36, 80, 81

# INDEX

PART NO.	PAGE NO.	PART NO.	PAGE NO.
79-62044-02	36, 81	79-62107-00	55
79-62045-01	37	79-62118-00	125
79-62045-02	37	79-62118-01	125
79-62046-02	80	79-62118-02	126
79-62056-00	112	79-62118-03	126
79-62064-00	160	79-62119-00	141
79-62065-01SV	60	79-62119-01	142
79-62065-02SV	60	79-62125-00	152
79-62070-01	98	79-62125-01	152
79-62071-00	1, 25	79-62125-03	153
79-62071-01	1, 25	79-62125-04	153
79-62072-00	50	79-62125-05	154
79-62072-01	50	79-62125-06	154
79-62073-00	53, 64	79-62125-07	154
79-62073-01	53, 64	79-62125-09	155
79-62074-00	67, 71	79-62127-00	63
79-62074-01	67, 71	79-62128-00	70
79-62076-01	66	79-62129-00	95
79-62088-00	122	79-62136-00	218
79-62088-02	122	79-62136-01	218
79-62096-00	123		
79-62096-02	123	<b>8</b>	
79-62096-04	124	801-307	122, 123
79-62096-05	124	81-62062-00	202, 204
79-62096-06	125	81-62105-00	208
79-62096-07	125	81-62122-00	211
79-62096-08	126	81-62128-00	212
79-62096-09	126	81-62129-00	212
79-62097-00	124	81-62138-00	269
79-62097-01	124	81-62138-01	269
79-62105-00	260	81-62138-02	269
79-62106-00	7	81-62145-01	270
79-62106-01	31	81-62147-00	260
79-62106-02	75	81-62151-00	260
		81-62169-00	218



# INDEX

PART NO.	PAGE NO.	PART NO.	PAGE NO.
81-62170-00	218	91-62052-00	314
86-62150-00	268	91-62070-00	314
86-62150-01	268		
86-62243-00	111	<b>A</b>	
86-62262-00	157	AC-801-529-2	141, 142
86-62437-00	119	AC010-006	307
86-62449-00	131	AC010-007-1	341
86-62460-00	115	AC010-007-2	341
86-62497-00	159	AC010-008	341
86-62509-00	147	AC010-204	307, 308
86-62557-00	139	AC010-560	314
86-62565-00	219	AC010-561	314
86-62565-01	219	AC010-563	314
86-62577-00	119	AC010-565	314
86-62587-00	149	AC010-566	314
86-62588-00	150	AC010-568	314
86-62589-00	150	AC010-570	314
		AC011-031	341
<b>9</b>		AC011-032-1	341
91-62011-00	329	AC011-032-2	341
91-62011-01	327	AC011-049	341
91-62016-00	308	AC011-049-2	341
91-62017-00	314	AC020-009	67, 343
91-62018-00	314	AC020-174	13
91-62019-00	314	AC021-190-1	93
91-62022-00	314	AC021-190-2	93
91-62023-00	314	AC021-344	100
91-62024-00	314	AC021-348	103
91-62027-00	314	AC021-360	343
91-62035-00	326	AC021-366	93
91-62040-00	314	AC022-251	25, 50
91-62044-00	314	AC022-252	64
91-62045-00	314	AC022-253	71
91-62046-00	314	AC022-313	3, 27, 29

# INDEX

PART NO.	PAGE NO.	PART NO.	PAGE NO.
AC022-313-1	115	AC033-163	201
AC022-313-2	130	AC033-164	201
AC022-313-3	144	AC033-211P	208
AC022-313-4	139	AC033-219	161
AC022-313-5	147, 149	AC033-220	180
AC022-314	53, 100, 101, 102, 104	AC033-135	180
AC022-717	2	AC033-136	161
AC022-743	157, 159	AC040-074	111, 305, 306
AC022-743-9	138	AC040-076	347
AC022-744	111, 157	AC040-103	347
AC022-746	95	AC051-1111P	333
AC022-746-1	111, 157	AC051-1112P	333
AC030-234	161, 166, 180, 186, 202, 208, 211, 264, 266	AC051-1116P	333
AC030-313	202	AC051-1173	292
AC030-314	202	AC051-586	332
AC030-315	202	AC101-100	347
AC030-340	202	AC101-101	347
AC033-051	196	AC101-102	347
AC033-133P	180	AC101-103	347
AC033-134P	161	AC101-108	347
AC033-142	161	AC101-200	161, 180, 347
AC033-143	181	AC101-202	347
AC033-144	180	AC101-203	206, 347
AC033-145	161, 181, 267	AC101-301	348
AC033-146	161	AC101-302	348
AC033-147	181	AC101-303	348
AC033-150	176	AC101-304	348
AC033-154	201	AC101-305	348
AC033-155	201	AC101-306	348
AC033-156	201	AC101-307	348
AC033-157	201	AC101-310	348
AC033-158	201	AC101-311	348
AC033-160	201	AC101-312	161, 180, 348
AC033-162	201	AC101-400	346
		AC101-401	346

# INDEX

PART NO.	PAGE NO.	PART NO.	PAGE NO.
AC101-403	346	AC201-408	301
AC101-404	346	AC201-409	301
AC101-405	346	AC201-410	301
AC101-406	346	AC201-412	2, 3, 7, 17, 24, 27, 29, 32, 42, 49, 53, 56, 63, 67, 70, 75, 84, 90, 95, 111, 115, 129, 138, 144, 147, 149, 159, 161, 180, 208, 301
AC101-407	346	AC201-414	161, 168, 174, 180, 188, 194, 208, 218, 264, 266, 301
AC101-408	346	AC201-500	7, 301, 307, 308, 309, 310
AC101-412	346	AC201-501	1, 27, 53, 67, 90, 95, 101, 301
AC101-415	346	AC201-508	326, 327, 329
AC101-422	100, 103, 105	AC201-600	91, 144, 301, 318, 323
AC101-425	346	AC201-609	301
AC101-426	346	AC201-610	301
AC101-427	346	AC201-611	301
AC101-428	346	AC201-615	202
AC101-429	346	AC201-616	301
AC101-430	346	AC201-623	301
AC101-441	346	AC201-634	326, 327, 329
AC201-101	300	AC201-702	301
AC201-102	300	AC201-703	301
AC201-105	108, 109, 300, 316, 317, 318, 319	AC201-706	301
AC201-105-1	300, 316	AC201-707	301
AC201-106	300, 317, 318	AC201-800	299
AC201-107	300, 316	AC201-803	299
AC201-109	300	AC201-804	299
AC201-112	300, 316, 317	AC201-805	299
AC201-113	300	AC201-812	299
AC201-119	300	AC201-901	316, 317, 318, 319, 326, 327, 328, 329, 330, 331
AC201-121	300	AC201-902	307, 309
AC201-212	318, 319	AC201-905	91, 92, 172, 173, 192, 193, 302
AC201-302	299	AC201-910	302
AC201-303	299	AC201-921	302
AC201-305	299, 307, 309, 310	AC201-922	298
AC201-400	301		
AC201-403	301		
AC201-404	301		



# INDEX

PART NO.	PAGE NO.	PART NO.	PAGE NO.
AC201-931	316, 317, 318, 319, 326, 327, 328, 329, 330, 331	AC302-436	278
AC201-951	107	AC302-437	278
AC201-952	107	AC302-440	275
AC202-300	307, 308, 309, 310	AC302-441	275
AC202-301	307, 308, 309	AC302-450	274
AC202-303	307, 308, 309, 310	AC302-453	274
AC202-305	307	AC302-454	274
AC202-307	307, 308, 309, 310	AC302-459	278
AC202-501	327, 329	AC302-494	278
AC202-502	328, 330	AC302-495	278
AC301-200	351	AC401-100	304
AC301-202	340	AC401-110	161, 180, 304
AC301-204	351	AC401-200A	305
AC301-205	4, 52, 340	AC401-202	115, 305
AC301-219	340	AC401-203	95, 130, 139, 147, 149, 157, 159, 306
AC301-239	351	AC401-204	95, 305
AC301-240	108, 109, 351	AC401-209A	305
AC301-419	278	AC401-210A	305
AC301-441	161, 180, 274	AC401-214	305
AC301-447	278	AC401-215	100, 101, 102, 104, 305
AC301-452	274	AC401-217	101, 305
AC301-453	274	AC401-220	100, 101, 102, 104, 305
AC301-459	274	AC401-221	305
AC301-900	349	AC401-222	305
AC301-901	349	AC401-229	305
AC301-902	349	AC401-232	1, 27, 53, 67, 90, 306
AC301-903	349	AC401-233	1, 27, 53, 67, 90, 306
AC301-904	349	AC401-300	345
AC301-905	349	AC401-301	345
AC301-907	349	AC401-302	345
AC301-908	349	AC401-306	4, 52, 345
AC301-908-5	349	AC401-307	4, 52, 345
AC302-305	308, 309, 310	AC401-308	66, 345
AC302-432	278	AC401-309	345
		AC401-310	345



# INDEX

PART NO.	PAGE NO.	PART NO.	PAGE NO.
AC401-312	345	AC501-289A	284
AC401-313	345	AC501-291	290
AC401-314	345	AC501-292	290
AC401-315	345	AC501-298A	284
AC401-320	1, 4, 25, 27, 50, 52, 53, 64, 67, 71, 98, 133, 144, 345	AC502-208A	286
AC401-322	345	AC502-209A	286
AC401-323	345	AC502-213A	292
AC501-102A	304	AC502-215A	287
AC501-103A	304	AC502-216	294
AC501-122	100, 101, 102, 104, 304	AC601-336	333
AC501-201A	294	AC601-500	332
AC501-218	292	AC601-505	332
AC501-218A	292	AC601-508	332
AC501-221	292	AC601-511	332
AC501-223A	283	AC601-519	332
AC501-226A	281	AC601-520	332
AC501-236	282	AC601-522	332
AC501-247	282	AC601-524	332
AC501-248A	283	AC601-525	332
AC501-249A	281	AC601-527	332
AC501-252A	281	AC601-528	332
AC501-253	292	AC601-538	332
AC501-257	282	AC601-542	332
AC501-266A	286	AC601-545	332
AC501-267A	286	AC601-547	332
AC501-268A	286	AC601-548	332
AC501-270A	285	AC601-602	13, 38
AC501-271A	285	AC601-609	206
AC501-273A	285	AC601-615	206
AC501-277A	292	AC601-616	13, 38
AC501-277B	292	AC601-618	206
AC501-282A	284	AC701-101	75, 111, 138, 244, 246, 248, 250, 254
AC501-285	285	AC701-103	341
AC501-286	285	AC701-106	98
		AC701-106-2	152, 153, 154

# INDEX

PART NO.	PAGE NO.	PART NO.	PAGE NO.
AC701-123	14, 39, 53, 66, 67, 75, 95	AC701-274	352
AC701-201	350	AC701-401	29, 341
AC701-205	351	AC701-403	343
AC701-206	307, 308, 309, 310, 352	AC801-12F25	38
AC701-207	351	AC801-201	276
AC701-208	352	AC801-202	2, 3, 7, 17, 24, 27, 29, 32, 42, 49, 53, 56, 63, 67, 70, 75, 84, 90, 95, 111, 115, 129, 144, 147, 149, 157, 159, 161, 180, 208, 211, 218, 262, 276, 277
AC701-210	351	AC801-203	260, 276, 277
AC701-211	351	AC801-207	276
AC701-212	352	AC801-217	276
AC701-221	350	AC801-220	161, 180
AC701-222	350	AC801-222	276, 277
AC701-224	350	AC801-300	111
AC701-226	350	AC801-307	124, 125, 126, 127, 135, 136, 153, 154, 155
AC701-227	350	AC801-342	263, 265
AC701-229	351	AC801-403	67, 160
AC701-230	350	AC801-405	1, 3, 24, 29, 49, 353
AC701-231	352	AC801-412	141, 142
AC701-233	350	AC801-412F25	13, 27, 29, 53, 66, 67, 108, 109, 161, 181
AC701-235	352	AC801-414	53, 67, 130, 136, 141, 142, 144, 147, 149, 157, 159, 244, 246, 248, 250, 254
AC701-237	352	AC801-415	138
AC701-240	350	AC801-416	90, 144, 157, 159
AC701-241	350	AC801-443	100, 101, 102, 104, 353
AC701-242	350	AC801-451	27
AC701-243	206, 352	AC801-452	353
AC701-245	350	AC801-461	95, 353
AC701-246	350	AC801-462	67, 70, 353
AC701-247	351	AC801-529	2, 14, 39, 60, 133, 134, 144, 343
AC701-248	350	AC801-529-1	152, 153, 154, 155
AC701-251	352	AC801-529-2	135
AC701-252	352		
AC701-253	352		
AC701-254	350		
AC701-263	350		
AC701-269	161, 180, 208, 351		

# INDEX

PART NO.	PAGE NO.	PART NO.	PAGE NO.
AC801-531	2, 14, 39, 60, 66, 133, 134, 135, 144, 152, 153, 154, 155, 343		
AC801-532	2, 14, 39, 60, 66, 135, 152, 153, 343		
AMI1SS3	347		
<b>C</b>			
CM205-197	161, 180		
<b>D</b>			
DD19CA061	129, 144, 346		
<b>E</b>			
EN07AA284	212		
EP32UZ232	346		
<b>K</b>			
KM43AG301	347		
<b>P</b>			
P806-B2-8	347		
<b>S</b>			
SES130027	215		
SES132205	216		
SES132236	215		
SES171087	216		
SES172643	216		
SES181104	216		
SES248014	216		
SES261045	215		
<b>Y</b>			
Y15-00003-00	24, 49, 63, 70		
Y21-00004-01	223		
Y23-00002-00	18, 19, 43, 44, 60, 85, 86, 127		
Y24-00021-00	150		
Y24-00022-00	150		
Y24-00023-00	150		
Y24-00024-00	150		
Y24-00108-00	18, 19		
Y24-00109-00	43, 44		
Y24-00110-00	85, 86		
Y24-00185-00	219		
Y24-00186-00	121		
Y24-00187-00	121		
Y24-00196-00	310		
Y24-00196-01	310		
Y25-00001-05	299, 316, 317, 318, 319		
Y25-00006-00	139		
Y25-00012-00	314		
Y25-00013-00	314		
Y25-00014-00	314		
Y25-00022-00	309		
Y25-00031-00	314		
Y25-00032-00	314		
Y25-00059-00	115		
Y26-00054-00	224, 228		
Y26-00054-01	224, 228		
Y26-00054-02	226		
Y27-00186-00	275		
Y27-00186-01	275		
Y28-00007-00	93		
Y28-00014-00	142		
Y28-00023-00	127		
Y28-00025-00	18		



# INDEX


PART NO.	PAGE NO.	PART NO.	PAGE NO.
Y28-00025-01	18	Y35-00013-04	234, 237, 238
Y28-00025-02	19	Y35-00013-05	235, 236, 237, 238
Y28-00025-03	19	Y39-00004-20	139
Y28-00026-00	43	Y45-00005-50	7
Y28-00026-01	43	Y45-00005-51	31, 55
Y28-00026-02	44	Y45-00005-52	75
Y28-00026-03	44	Y45-00005-53	7
Y28-00027-00	85	Y45-00005-54	31, 55
Y28-00027-01	85	Y45-00005-55	75
Y28-00027-02	86	Y61-Q1601-00	289
Y28-00027-03	86	Y61-Q1601-01	289
Y28-00037-00	222	Y61-Q1601-02	289
Y28-00037-01	222	Y61-Q1601-03	289
Y28-00037-02	222	Y61-Q1601-04	289
Y28-00041-00	341	Y61-Q2101-00	291
Y28-00041-01	341	Y61-Q2101-01	291
Y30-13000-00	26, 51, 65, 72, 234, 235, 236, 237, 238	Y61-Q2101-02	291
Y31-00007-00	9, 20, 34, 45, 58, 78, 87	Y61-Q2101-03	291
Y31-00007-50	9, 20, 34, 45, 58, 78, 87	Y61-Q2101-04	291
Y31-00007-51	9, 20, 34, 45, 58, 78, 87	Y61-Q3101-00	293
Y31-00008-00	234, 235, 236, 237, 238	Y74-CM201-50	178
Y35-00010-00	17, 42	Y74-CM301-50	198

# Every driver deserves the best possible vehicle climate with MCC products

MCC provides exceptional performance in mobile climate comfort.



[www.mcc-hvac.com](http://www.mcc-hvac.com)

Member of MCC Group  Certified ISO 9001 and ISO 1 4001.  
Specifications subject to change without notice. MCC is a registered trademark.