



XV. Parts

Heater Solenoids Valve



26-0348
Heater solenoid valve 12V, 3/4" 2 way

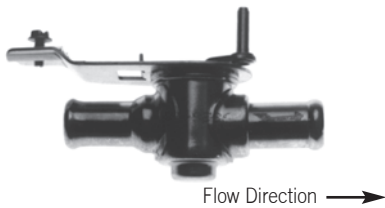


26-0330
Heater solenoid valve 24V 3/4" 3 way



26-0194
Heater solenoid valve 24V, 3/4" 2 way

Heater Control Valves



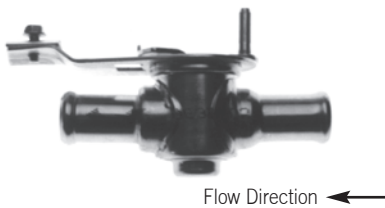
26-0025
Heater control valve 5/8"*
pull to open



26-0043
Heater control valve 5/8"
3-way. Inlet from bottom
when bracket on top*.
Pull for water flow to left side.



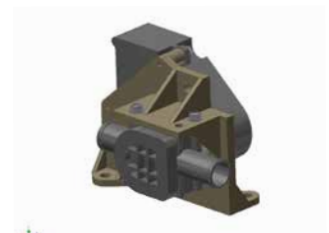
27-0064
Shut off valve 5/8" x 5/8" hose



26-0074
Heater control valve 5/8"*
pull to open



27-0100
Shut off valve 5/8" hose
x 3/8" male pipe

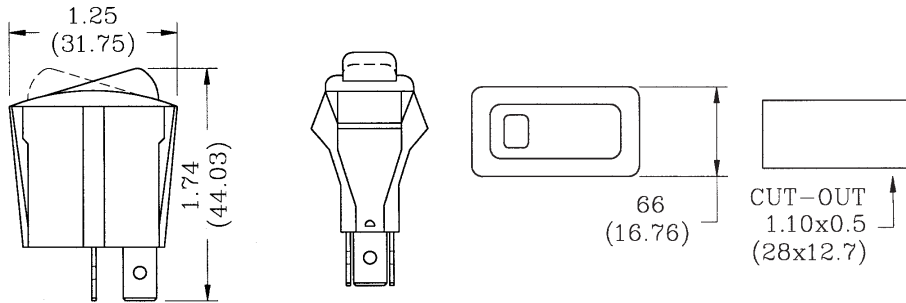


26-1661 24V
26-1656 12V
Motorized Heater
control valve 5/8"

26-0154
Heater control valve 3/4"*
pull to open

*Heater control valve is directional and will leak if connected wrong

Single Pole (Sealed) Rocker Switches

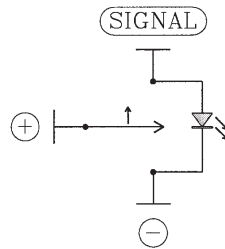
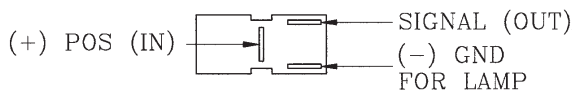


TERMINALS (BOTTOM VIEW)

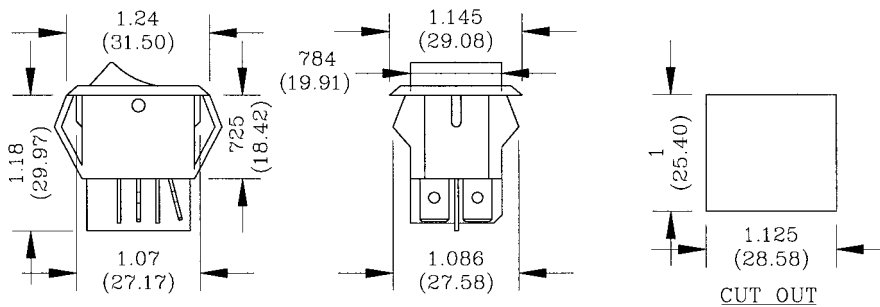
CIRCUIT DIAGRAM

NOTES:
 CUT-OUT IS 1.10x.5
 (28x12.7 mm)
 LAMP IS A LED

- 25-1105
- Green, 12V
- 25-1106
- Green, 24V
- 25-1107
- Amber, 12
- 25-1108
- Amber, 24V



Double Pole Rocker Switches

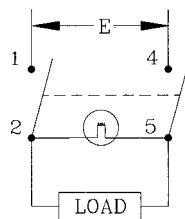
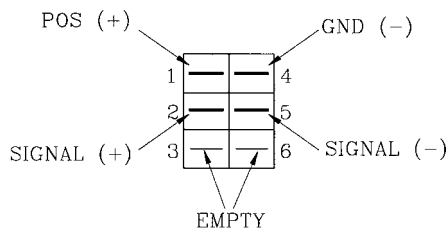


TERMINALS (BOTTOM VIEW)

CIRCUIT DIAGRAM

NOTES:
 CUT-OUT IS
 28.6x25.4 mm.
 LAMP IS 12V (24V)
 INCANDESCENT.

- 25-1167
- Green, 12V
- 25-1168
- Green, 24V



Note:
 25-1167 replaces 25-0114 (12V)
 25-1168 replaces 25-0084 (24V)

Used in A/C systems to turn system on/off. Provides a lighted indication when on. Green is used for the A/C. Amber for other functions.

Expansion Solenoid Valves

Expansion valves



26-0162 Expansion valve R12/R134a, 2 Ton
26-0167 Expansion valve R22, 2 Ton
 12" cap tube, 5/8"-18 male inlet and 3/4" -16 male outlet



26-0580 Expansion valve R134a Externally equalized, 5/8"-18 male inlet, 3/4"-16 male outlet 18" capillary tube and 18" external capillary tube with 1/4" Fe nut, 1.5 Ton



26-0190 Block expansion valve R12/R134a
26-0384 Block expansion valve R22
 2 ton externally equalized, 3/4" -16 connection to coil, 5/8"-18 inlet and 7/8"-14 outlet female



26-0006 Bulb clamp cadmium plated for above expansion valves

Solenoid valves

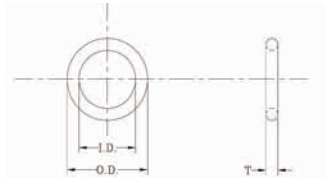


25-0380 Solenoid valve 12V, R12/R134a, 5/8"-18 male
25-0381 Solenoid valve 24V, R12/R134a, 5/8"-18 male

Thermostatic Expansion Valves

<u>Part No.</u>	<u>Description</u>
14-00344-00	TXV
14-00397-00	TXV, EM1, Gen V, R134a
14-01104-35	TXV, 5.5 ton, R134a
26-0190	Valve, Block
26-0580	Expansion Valve

O-Rings



Part No.	Description	I.D.	O.D.	T
T27-0601	O-Ring #6	7.65	7/16"	1.78
27-0602	O-Ring #8	10.82	9/16"	1.78
27-0603	O-Ring #10	14	11/16"	1.78
27-0604	O-Ring #12	17.17	13/16"	1.78
27-0647	O-Ring #7			For pressure switches
27-0693	O-Ring			For solenoid valve

Hose Pipe Insulation & Sleeves

Hose Pipe Insulation

Hose / pipe insulation is used to insulate heater and refrigerant hose. Sold in multiples of 6 feet.

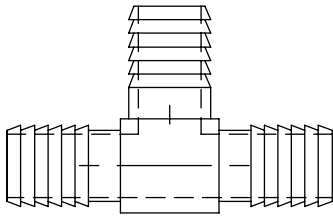
- 28-0077 Hose/ pipe insulation 1 1/8" ID x 3/8" wall
Use for 5/8" HD heater hose and #10 refrigerant hose
- 28-0136 Hose/ pipe insulation 7/8" ID x 1/2" wall Use for 5/8" standard heater hose

Polyurethane Sleeves

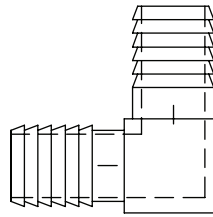
Polyurethane sleeve is used for hose protection in very difficult environments. This product is used extensively in the mining industry. Sold in multiples of 12 feet.

- 27-0806 Polyurethane sleeve for refrigerant hose #6
- 27-0807 Polyurethane sleeve for refrigerant hose #10

Bronze & Brass



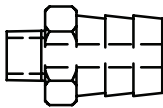
1



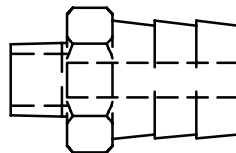
2

Item	Part No.	Description
1	40-62095-00	Fitting, Hose, Tee, Bronze, 1 Inch Heater Hose
2	40-62096-00	Fitting, Hose, Elbow, Bronze, 1 Inch Heater Hose

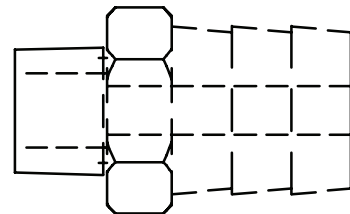
Hose Barb



1



10



20

Item	Part No.	Description
1	40-01094-01	Fitting, Hose, Barb, 3/16 x 1/8 MPT
2	40-01094-02	Fitting, Hose, Barb, 1/4 x 1/8 MPT
3	40-01094-03	Fitting, Hose, Barb, 1/4 x 1/4 MPT
4	40-01094-04	Fitting, Hose, Barb, 1/4 x 3/8 MPT
5	40-01094-05	Fitting, Hose, Barb, 5/16 x 1/8 MPT
6	40-01094-06	Fitting, Hose, Barb, 5/16 x 1/4 MPT
7	40-01094-07	Fitting, Hose, Barb, 3/8 x 1/8 MPT
8	40-01094-08	Fitting, Hose, Barb, 3/8 x 1/4 MPT
9	40-01094-09	Fitting, Hose, Barb, 3/8 x 3/8 MPT
10	40-01094-10	Fitting, Hose, Barb, 1/2 x 1/4 MPT
11	40-01094-11	Fitting, Hose, Barb, 1/2 x 3/8 MPT
12	40-01094-12	Fitting, Hose, Barb, 1/2 x 1/2 MPT
13	40-01094-13	Fitting, Hose, Barb, 1/2 x 3/4 MPT
14	40-01094-14	Fitting, Hose, Barb, 5/8 x 3/8 MPT
15	40-01094-15	Fitting, Hose, Barb, 5/8 x 1/2 MPT
16	40-01094-16	Fitting, Hose, Barb, 3/4 x 1/2 MPT
17	40-01094-17	Fitting, Hose, Barb, 3/4 x 3/4 MPT
18	40-01094-18	Fitting, Hose, Barb, 1/8 x 1/8 MPT
19	40-01094-19	Fitting, Hose, Barb, 5/8 x 1/8 MPT
20	40-01094-20	Fitting, Hose, Barb, 1 x 3/4 MPT

Splicers and Adapters



27-0102
Y-splicer 5/8" 43% fibreglass reinforced nylon 6/12. For 5/8 and 3/4" hose.



27-0244
Straight splicer 3/4" x 5/8", steel



27-0278
Elbow 5/8" Plastic
27-0125
Elbow 5/8" Copper (not pictured)



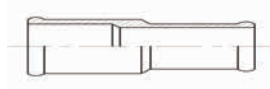
27-0018
Straight splicer 5/8" copper
27-1110
Straight splicer 3/4" copper
27-0018

27-0098
Adapter converts 3/8" male to 1/2" male pipe (not pictured)

27-0140
Adapter converts 3/4" male to 3/8" male pipe (not pictured)



27-0710
T-splicer 5/8" Copper



Part No.	Description
27-2107	Splicer - Straight 5/8" Hose x 1/2" Hose
27-0244	3/4" Hose x 5/8" Hose
27-0018	5/8" Hose x .035" Hose



Nipples



27-0141
Elbow 3/8" male x 3/8" female

27-0140
Adapter 3/4" male NPT x 3/8 female NPT, brass



27-1159
Hex nipple 3/4" hose x 3/4" male
NPT, brass



27-0097
Hex nipple 5/8" hose x 3/8" male
NPT, steel
27-0371
Hex nipple 3/4" hose x 1/2" male
NPT, steel

Heater Hose

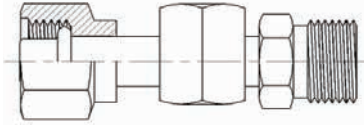


- 27-0017 Heater hose elbow 5/8" (standard) black.
- 27-0019 Heater hose elbow 3/4" (standard) black

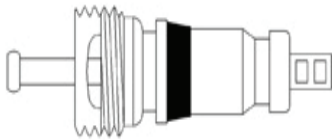
- 27-0025 Heater hose 5/8" (standard) black sold per 250 feet reels
- 27-0220 Heater hose 3/4" (standard) black sold per 50 feet rolls
- 27-0225 Heater hose 5/8" (heavy duty) black sold per 50 foot rolls
- 27-0235 Silicon hose 5/8" (long life) green or blue sold per foot
- 27-0238 Silicon hose 3/4" (long life) green or blue sold per foot

(See also hose insulation and sleeves under hose section.)

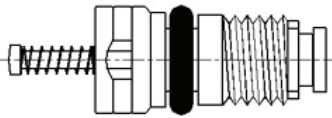
Service for (R134a)



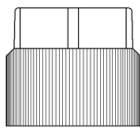
Part No.	Description
27-0015	Switch Port In-Line O-Ring style 5/8"-18 M 5/8 "-18 Fe Port is 3/8 "-24



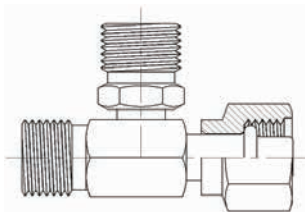
Part No.	Description
YC-14-00351-00	Valve Core Standard flow .210"-36 M



Part No.	Description
27-1235	Valve Core Hi-flow .75"x 6 M Seal Compounds Compatible with R134a and Lubricants



Part No.	Description
28-0287	Plastic Cap for R134a Service Port Hi-Side Cap (Standard Flow)
28-0246	Plastic Cap
28-0247	Plastic Cap
27-1234	Valve Core
28-0288	Lo-Side Cap (High Flow)

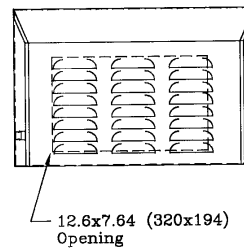
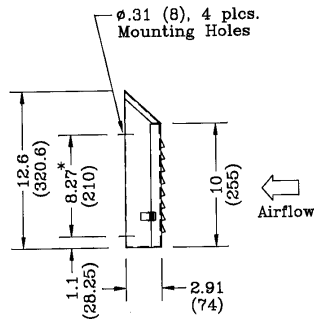
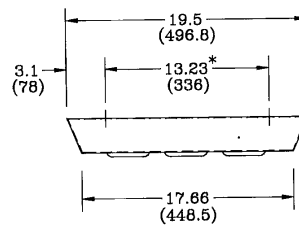
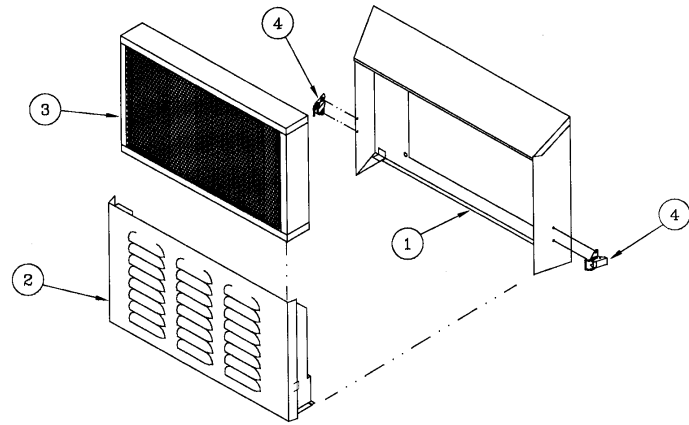


Part No.	Description
27-3376	Adapter Tee O-ring style 5/8"-18 M
27-3375	7/8"-14 M



Part No.	Description
27-1803	Screw-on Adapter Straight R134a Service Port For retrofit 7/16"-20 Fe 13mm R134 Permanently Converts Service To Low Side Port

Filter Kit 601



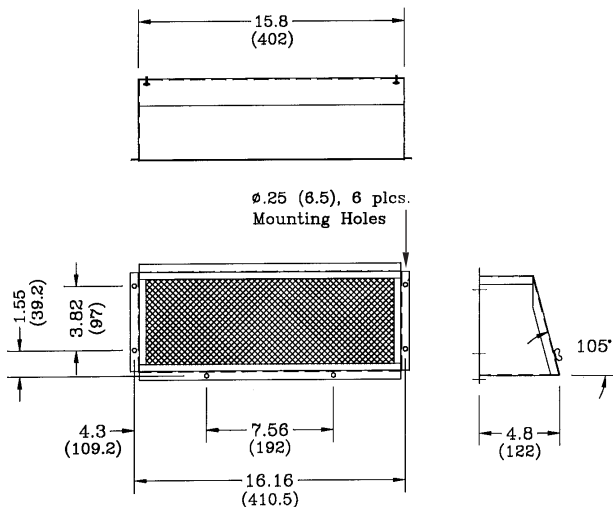
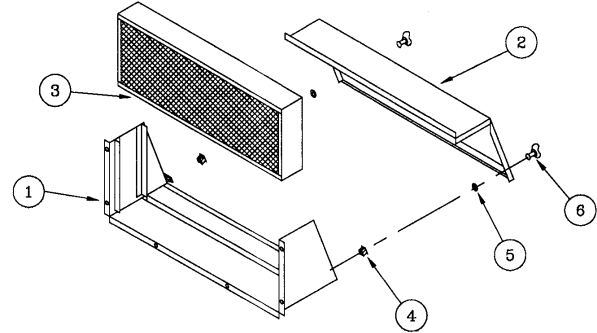
Part Descriptions: Specifications

Part No.	No.	Part No.	Description
16-0195	1	24-1151	Filter Assy.
Made of 18GA (1.25mm) Cold Rolled Steel and finished in a black semi-gloss epoxy powder coat.	2	24-1152	Casing
* Mounting holes location	3	26-0004	Cover
	4	29-0022	Filter
			Latch

Features

The 601 has an aluminum frame and a disposable filter element.

Filter Kit 602



PN

- 28-0150
- 38-00547-00
- 38-00547-04
- 38-00573-01
- 38-00573-04

Description

- Filter, Air 48.5" x 5" x 0.5", 30 PPI
- Filter, Air 1.00" x 16.5" x 46", Washable
- Filter, Air 1.00" x 18" x 46"
- Filter, Air 9" x 36.5", EM1, Gen V
- Filter, Air 1.00" x 18" x 46"

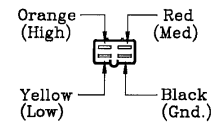
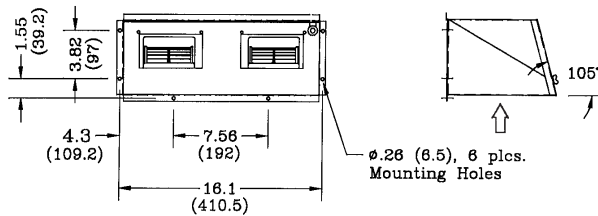
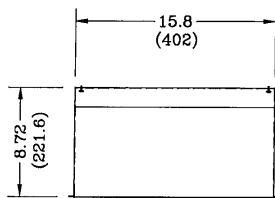
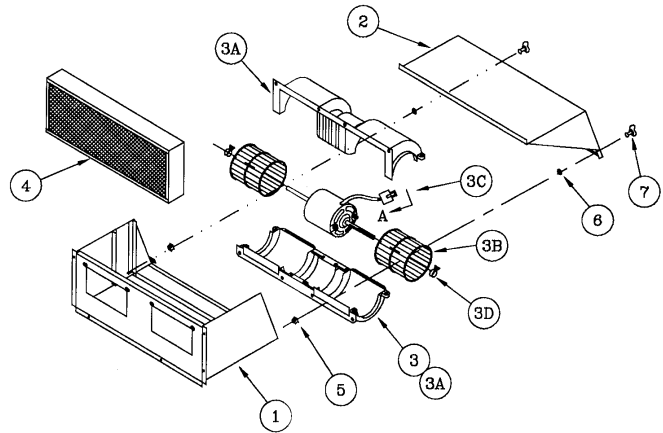
Part Descriptions: Specifications

Part No.	No.	Part No.	Description
16-0200 Filter Assy.	1	24-2220	Filter Box
Made of 18GA (1.25mm) Cold Rolled	2	24-2209	Cover
Steel and finished in black semi-gloss	3	26-0041	Air Filter
epoxy powder coat.	4	29-0075	Retainer
	5	29-0077	Receptacle
	6	29-0082	Stud Wing Head

Features

The 602 has an aluminum frame and a disposable filter element.

Filter Kit 603 - Pressurizer



View A

Packard EL 4-way Conn. #294544 with #2971962-L Terminal (4x)

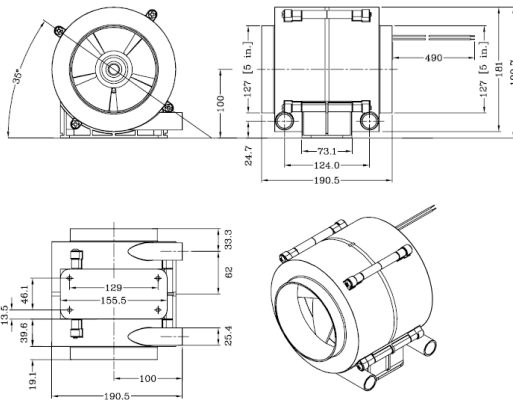
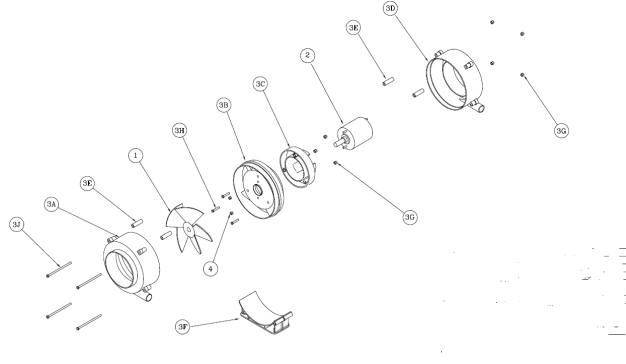
Part Descriptions: Specifications

Part No.	No.	Part No.	Description	No.	Part No.	Description	
16-0353	Filter Assy./12V	1	24-1627	Filter Box	4	26-0041	Air Filter
16-0354	Filter Assy./24V	2	24-1628	Cover	5	29-0075	Receptacle
Current	-12 Amps/12V	3	15-0533	Blower 12V	6	29-0077	Retainer
	-6 Amps/24V	3A	15-0534	Blower 24V	7	29-0078	Stud Wing Head
Made of 18GA (1.25mm) Cold Rolled Steel and finished in black semi-gloss epoxy powder coat.		3B	25-0017	Blower Housing			
		3C	25-0021	Blower Wheel			
			25-0643	Blower Motor 12V			
			25-0644	Blower Motor 24V			
		3D	25-0022	Clip			

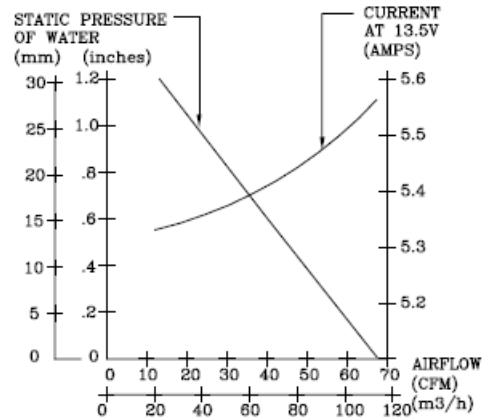
Features

The 603 has an aluminum frame and a disposable filter element.

Filter Kit 605 - Pressurizer



Airflow



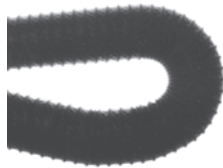
Part Descriptions: Specifications

No.	Part No.	Description
4	29-0230	HEX NUT (10-32)
3K	29-0746	BASE INSERT (M6)
3J	29-0745	¼ - 20X5" SLOT SCREW
3H	29-0744	¼ - 20X1.25" HEX HEAD BOLT
3G	29-0743	HEX LOCK NUT (1/4-20)
3F	28-0623	BASE
3E	28-0622	SPACERS
3D	28-0621	OUTLET
1	25-0013	FAN

No.	Part No.	Description
3C	28-0620	MOTOR MOUNT
3B	28-0619	LOUVER MOUNT
3A	28-0881	Ø3" INLET
3	28-0649	BODY ASSY. (Ø3" INLET)
2	25-0894	MOTOR 24V



Air Hose



23-0102
2" Low friction, non collapsible,
sold in length of 47" (1200 mm)

23-0104
2.5" Low friction, non collapsible,
sold in length of 47" (1200 mm)



23-0015	2"	Collapsible	sold in multiples of 50 feet
23-0020	2.5"	"	"
23-0025	3"	"	"
23-0035	3.5"	"	"
23-0040	4"	"	"

Round Louvers



27-1211
max 3" diameter stainless steel

27-0183
3.16 - 4.5" diameter stainless steel



23-0045
Nylon strap up to 3" diameter

Louvres shown have diameters of 3.94" (100 mm) and are manufactured of super tough nylon. The ST801 was specially designed for extreme low temperatures. The louvres must be used with any of the adapters below.

Adapters for 23-0005, 45, 47 & 86



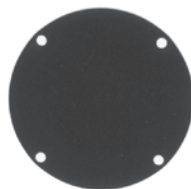
23-0048
Adapter, Nylon 66



23-0017
Hose adapter, 2"
23-0018
Hose adapter, 2.5"



23-0032
Hose adapter, 3",
Nylon 66



23-0006
Cover plate (ABS)



23-0143
Hose adapter,
60mm, Nylon 66

Mounting hole Ø 3.1" (79mm) . Screw hole 4 x Ø 84 mm.

Round Louvers



23-0171
Rotates and closes, adapter include



23-0172
Rotates and closes, hose adapter 2" included

Above louvers are manufactured of prime grade ABS. The overall Ø 2.75" (70 mm), screw hole Ø 2.204" (56 mm) (4x), mounting hole Ø 2.10" (53.5mm). Adapter will also accept snap in installation without screws.



23-0100
Rotates and closes comes with 4" hose adapter (ABS) . Four screw holes at Ø 4.93" (125.2mm)
Used in the RV and motor home industry.



23-0065
Non adjustable, mounts in 3" (76.2mm) hole.
Mounting spring included.
Low cost (ABS) .

Ball Type Louvers (ABS)



23-0164
Black ball, hose adapter 2" included
23-0067
Black ball, hose adapter 2.5" included



23-0057
Chrome ball, hose adapter 2.5" included



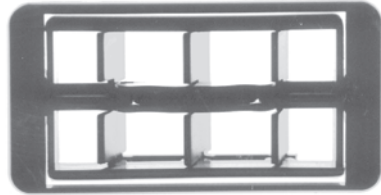
23-0087
Black ball, adapter included
23-0097
Large black ball, adapter included mounts in a Ø 3" (76.2mm) hole.

Louvers
23-0164, 23-0057, 23-0067, and 23-0087
Mount in a Ø2.5" (63.5 mm) hole.



23-0098
Large black ball, hose adapter Ø 2.5" included
Louvers 23-0097 and 23-0098 mounts in a Ø 3" (76.2mm) hole.

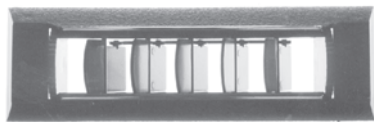
Rectangular and Square Louvers (closable and adjustable)



23-0042
3.65" (92.2mm) x 1.88" (47.8mm) , (ABS)
snaps into hole
3.41" (86.6mm) x 1.72" (43.7mm)



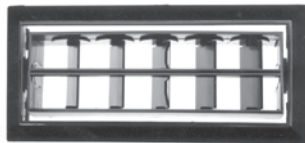
23-0027
2.45" (62.2mm) x 2.44" (62mm) , (ABS)
2" hose adapter included, snaps into hole
2.2" (55.9mm) x 2.375" (60.3mm)



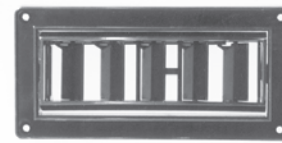
23-0029
6" (152.4mm) x 1.87" (47.6mm) , (ABS)
snaps into hole
5.73" (145.5mm) x 1.72" (43.7mm)



23-0046
6" (152.4mm) x 1.562" (39.7mm), (ABS)
snaps into hole
5.75" (146mm) x 1.375" (34.9mm)



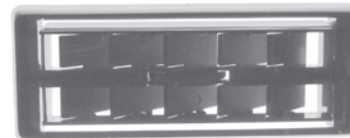
23-0055
7.1" (180.3mm) x 3.3" (83.8mm) , (ABS)
snaps into hole
6.38" (162.1mm) x 2.48" (63mm)



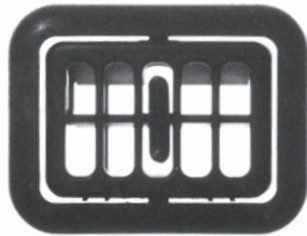
23-0053
5.43" (137.9mm) x 2.68" (68.1mm) ,
(ABS) fits hole
4.75" (120.7mm) x 2" (50.8mm)



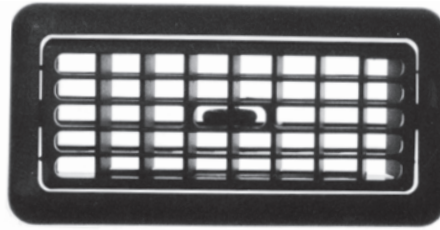
23-0054
Adapter for 23-0053 with 2.5" (63.5mm)
hose adapter. (ABS)



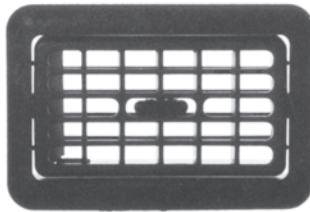
23-0116
5.43" (138mm) x 2.17" (55mm) , (ABS)
snaps into hole
5.12" (130mm) x 1.81" (46mm)

Rectangular and Square Louvers (closeable & adjustable)


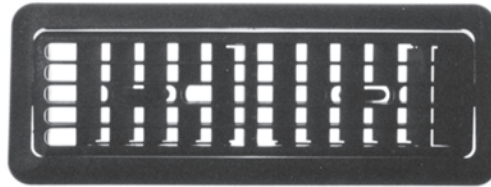
23-0173



23-0175



23-0174



23-0176

DIMENSIONS						
ABOVE LOUVERS SNAP INTO 1/16" (1.59mm) TO 1/8" (3.19mm) WALL THICKNESS OPENINGS						
Part No.	Overall Size		Mounting Hole		Snap-in	Hose* Adapter
	in.	mm	in.	mm		
23-0173	2.62 x 3.45	66.5 x 87.6	2.02 x 2.85	51.3 x 72.4	yes	no
23-0174	3.82 x 5.64	97.0 x 143.3	2.82 x 5.13	71.6 x 130.3	yes	no
23-0175	3.82 x 7.87	97.0 x 199.9	2.85 x 7.34	72.4 x 186.5	yes	no
23-0176	3.82 x 10.11	97.0 x 256.8	2.82 x 9.61	71.6 x 244.1	yes	no

*Louvers available on request with Ø2.5" (63.5 mm) hose adapter as a one piece design.



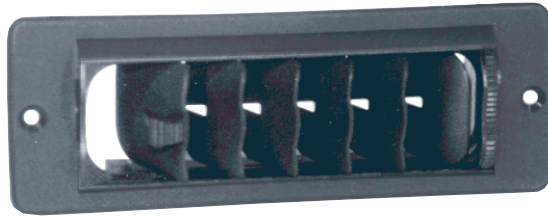
23-0177



23-0178

DIMENSIONS					
ABOVE LOUVERS SNAP INTO 1/16" (1.59mm) TO 1/8" (3.19mm) WALL THICKNESS OPENINGS					
Part No.	Overall Size		Mounting Hole	Snap-in	Hose* Adapter
	in.	mm			
23-0177	2.17x 6.08	55.1 x 154.4	request sample	yes	No
23-0178	2.17 x 6.08	55.1 x 154.4	request sample	yes	No

Rectangular and Square Louvers (closable and adjustable)

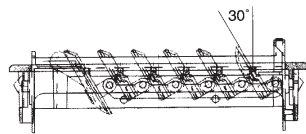
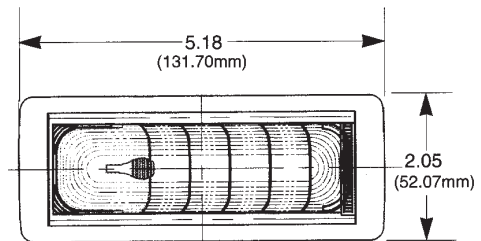
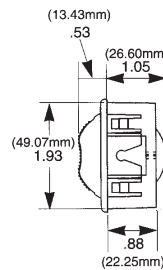
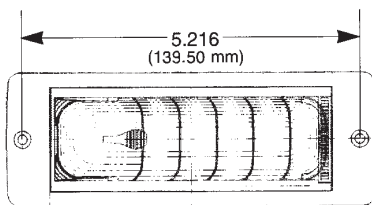


23-0186

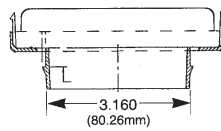
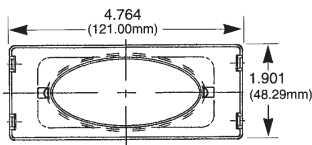


23-0145

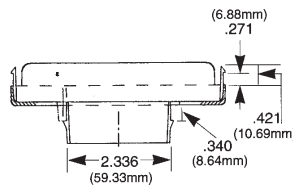
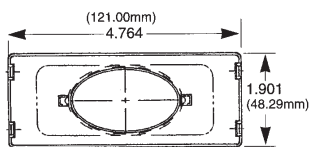
Louver Vents



Hose Adapters



23-0203 Hose Adapter \varnothing 2.5" (63.5 mm)



Hose Adapter \varnothing 2" (50.8 mm)

Windshield Louvers



23-0094
9.33" (237mm) x 1.18" (30mm) .
Two centered screw holes at 8.70" (221mm) .(ABS)



23-0115
8.07" (205mm) x 1.02" (26mm) (ABS)
Snaps into oblong hole 7.80" (98mm) x 0.69" (17.5mm) (ABS)



23-0095
As 23-0094 but angled 40° from vertical line

Hose adapters

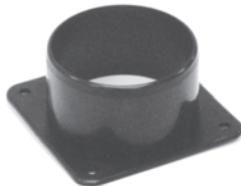


23-0110 /2"
2.36" (60mm) , four screw holes Ø 2.56" (65mm) , mounts in 2" (50.8mm) hole (ABS)

23-0125 /2.5"
2.91" (74mm) , four screw holes Ø 3.25" (83mm) , mounts in 2.48" (62.8mm) hole (ABS)



23-0049 y-splicer 2.5" (ABS)



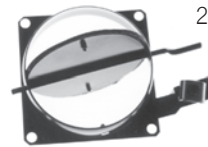
23-0141
60mm, nylon 66



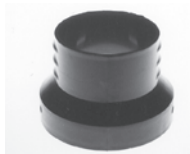
23-0051 Reducer from 2.5" - 3" (ABS)



23-0037 2" Snap in mounting (ABS)
23-0038 2.5" Snap in mounting (ABS)
23-0039 3" Snap in mounting (ABS)



23-0129 4" Steel with flapper door: four screw holes at Ø 5.30" (134.6mm)



23-0050 Reducer from 2.5" - 2" (ABS)



23-0091 3" Steel four screw holes at Ø 3.54" (90mm)

23-0090 4" Steel four screw holes at Ø 4.72" (120mm)

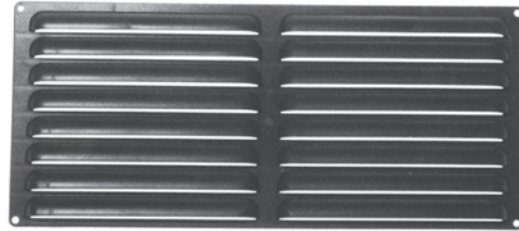
23-0142 3.5" (88mm) , nylon 66

Recirculating Air Grills



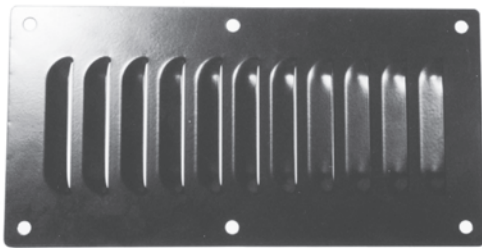
23-0084

Grill 5.51" (140mm) high x 6.18" (157mm) wide (ABS)
 For opening 4.96" (126mm) high x 5.31" (135mm) wide
 Four screw holes at 5.12" (130mm) high x 5.79" (147mm) wide.



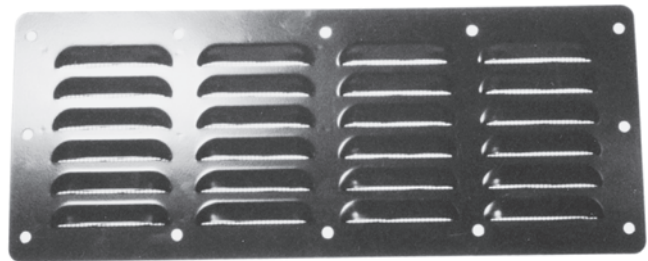
23-0041

Grill 5.51" (140mm) high x 12.36" (314mm) wide (ABS)
 For opening 4.96" (126mm) high x 11.18" (284mm) wide
 Four screw holes at 5.12" (130mm) high x 11.97" (304mm) wide.



24-0025

Grill Steel 12" (304.8mm) x 6.13" (155.7mm)



23-0075

Grill Steel with metal mesh 7.50" (190.5mm) x 18.5" (469.9mm)



Knobs



25-0061
Fan plate for rotary switches



25-0133
Lever, 1/4" slot, black, for 25-0100 and lever controls



25-0067
Fan/blower, Ø 1", D-shaft



25-0186
Lever, 1/4" slot, black, for 25-0100 lever controls



25-0581
Position, Ø 1 3/8", rubber coated with set screw and brass insert.



25-0072
Position, Ø 1", D shaft



25-0142
Position, Ø 1.5" with set screw and brass insert



25-0435
Position, Ø 1 1/8" with set screw



25-0068
Thermostat, Ø1", D-shaft



26-0266
Ball, thread Fe 10-32 brass insert Ø 1"



25-0061
Fan plate for rotary switches



26-0263
Knurled, thread Fe 1/4"-20 brass insert Ø 1"



25-0549
Position, Ø 7/8" with set screw and metal insert

Caps



Part No.	Description
28-0065	Cap #8 M
28-0068	Cap #8 Fe
28-0064	Cap #6 M
28-0067	Cap #6 Fe
28-0066	Cap #10 M
28-0069	Cap #10 Fe

Insulation Tape



26-0032 Insulation tape 1/8" x 2" x 30 ft. (3.2 mm x 51 mm x 10 meter)
 (Prevents condensed water from forming on expansion valves and copper tubes.)
 26-0324 Insulation tape as above but 2 ft long.
 26-0158 Insulation tape as above but 1850mm.

Hose Clamp



1108 Hose clamp for 1/2" tube O.D.

Circulation Pump



These pumps are used when the main pump in the vehicle is insufficient to support the coolant flow to an auxiliary heater. The circulation pump is of a very high quality. The compact design (length 177mm, width 68mm, height 85mm) and low weight makes installation a breeze. It is weather proof, dust-proof and can be installed in dirty, humid environments. This high-tech pump has a 5000-hour continual service life! Comes with black painted aluminum bracket.

Technical specifications: Magnetic drive (no shaft between motor and pump) , CE-marked (radio disturbance shielded) as perEN55014, Ball bearing-permanent magnet motor, Liquid temperatures -40°C to 100°C, Ambient operational temperatures -40°C to70°C.

Pressure and Capacity data (based on water at 20° C)	Back Pressure		FLOW			AMPERAGE	
	Bark	Pa	ft	l/min	USGPM	12V	24V
26-0688 (12V) Ø16 5/8" 71-4161 (24V)	0.1	10	3.3	15.0	4.0	1.2	0.6
	0.15	15	4.9	12.0	3.2	1.0	0.5
	0.2	20	6.6	4.0	1.1	0.8	0.4
64-5012 (12V) Ø20 3/4"	0.1	10	3.3	17.0	4.5	1.2	
	0.15	15	4.9	12.0	3.2	1.0	
	0.2	20	6.6	3.0	0.8	0.8	

Drain, Hose and Clamps



27-0091
Drain clamp (Do not use between drain connector and drain valve.)



27-0030
Drain hose 1/2" ID x 5/8" O.D.



27-0032
Drain tee



27-0421
Drain Valve 1" kazoo tube.



27-0264
Air Restrictor

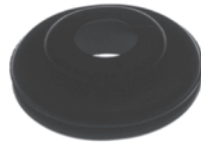
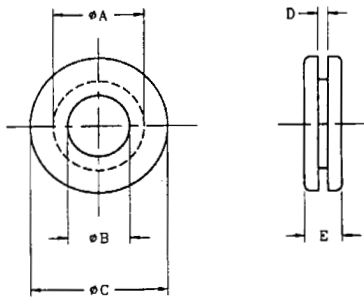


27-0422
Drain connector, connects between drain valve and drain hose.



27-0031
Drain elbow

Rubber Grommets



Part No.	A	B	C	D	E
28-0014	9.5	7	14.3	1.6	6.35
28-0004	12.7	9.5	17.5	1.6	7
28-0045	17.5	11	24	1.6	8
28-0083	17.5	11	24	4.8	11
28-0293	19.05	12.7	24.6	2.4	7.14
28-0009	22.2	16	28.5	1.6	8
28-0008	26.98	19	35	1.6	9.5
28-0007	35	28.5	50.8	1.2	9.5
28-0005	32	16-30	47	2.0	9.5

Note: Dimensions in mm

Grommets and Clamps



27-0209
Gear clamp 3/4" hose, stainless steel



27-0048
Constant Tension Clamp



27-0910
Constant Gear Tension Clamp

PN	Diameter	
	Max	Min
27-2487	0.65" (16.5 mm)	0.547" (13.9 mm)
27-0048	1.024" (26 mm)	0.866" (22 mm)
27-2277	1.138" (28.9 mm)	0.992" (25.2 mm)
27-2039	1.023" (26 mm)	0.866" (22 mm)

PN	Diameter	
	Max	Min
27-0910	1 1/16" (27 mm)	11/16" (17.5 mm)
27-3176	1 1/16" (27 mm)	9/16" (14.3 mm)
27-3838	1 1/2" (38 mm)	13/16" (20.6 mm)
27-3716	3 1/8" (79 mm)	2 1/4" (57 mm)
39-0004	3 5/8" (92 mm)	2 3/4" (70 mm)

Grommets and Clamps



28-0005
Grommet fits 1.25" (32 mm) hole.
Use to protect refrigeration or heater hose



27-0012
Hose clamp for #6 hose

27-0502
Hose clamp for 5/8" tube O.D. (Drain)

Gear Clamp



27-1211
27-0183



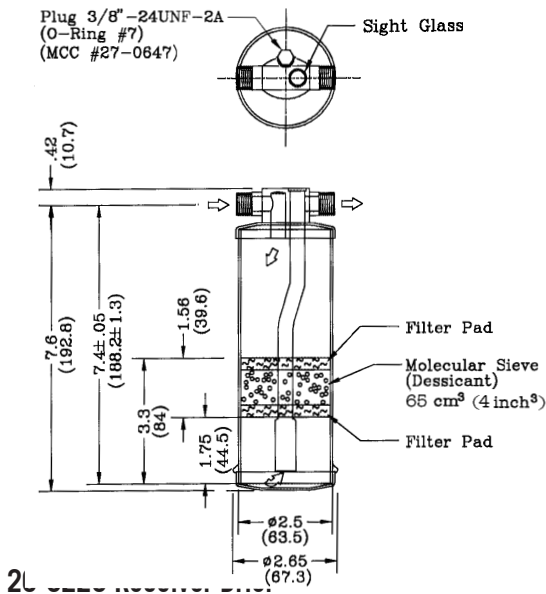
23-0045
Nylon strap up to 3"
diameter

PN	Diameter	
	Max	Min
27-0183	4.50" (114mm)	2.5" (64mm)
27-0059	1.06"(27mm)	0.71" (18mm)
27-2193	2.5" (64 mm)	1.56" (40 mm)
27-3579	2.75" (70mm)	1.81" (46 mm)
27-1211	3.25" (83 mm)	2.31" (59 mm)
27-2686	6.0" (152 mm)	4.0" (102 mm)
27-3496	1.25" (32 mm)	0.5" (13 mm)
27-0209	1.125" (28.6 mm)	0.75" (19.1 mm)
27-2687	1.75" (44 mm)	0.75" (19.1 mm)

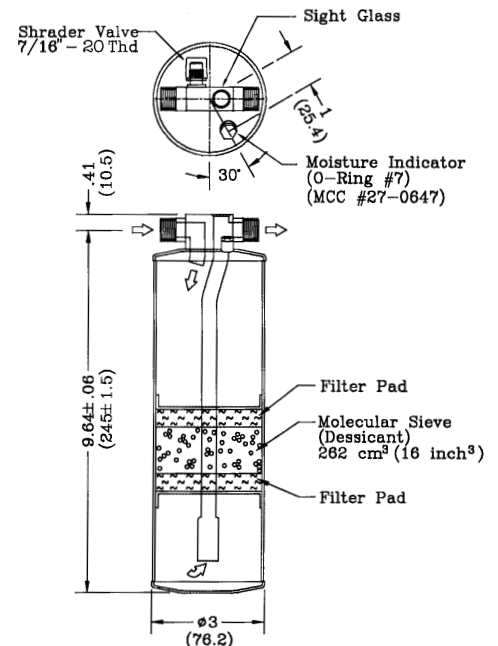
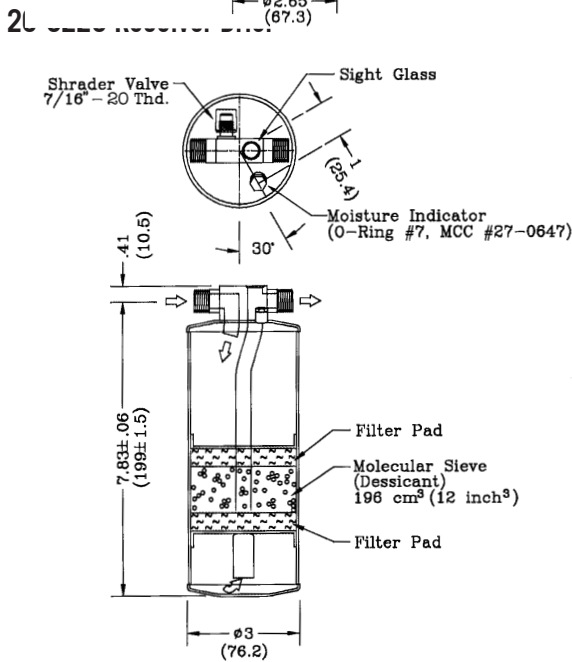
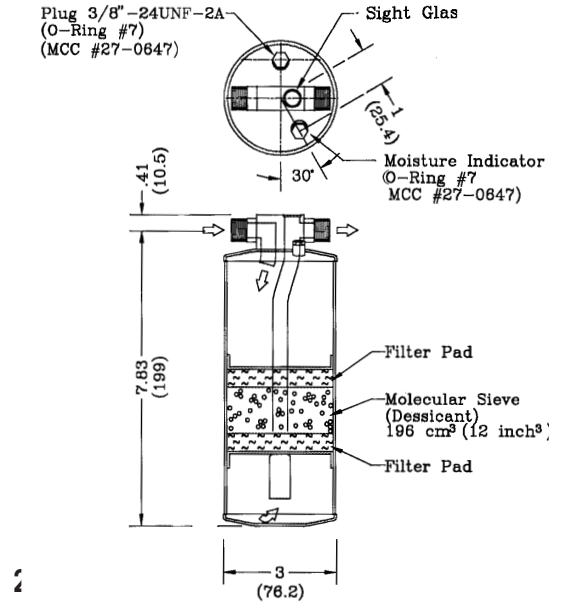
Receiver Driers

Most of MCC high capacity receiver driers are equipped with a moisture indicator that turns colour from blue to beige. It takes the guesswork out of determining moisture content in the system. Beige means replace receiver drier and refrigeration oil by draining compressor. Then recharge the system. Blue means OK. RD's should be mounted as close to the condenser as possible and in the air stream of the radiator fan. Please note that many of the forced air condensers are already equipped with a RD. All RD's are equipped with sight glass and some with shradar valves, making it possible to replace the pressure switch without the loss of refrigerant. We recommend installation of a pressure switch on the RD.

26-0014 Receiver Drier

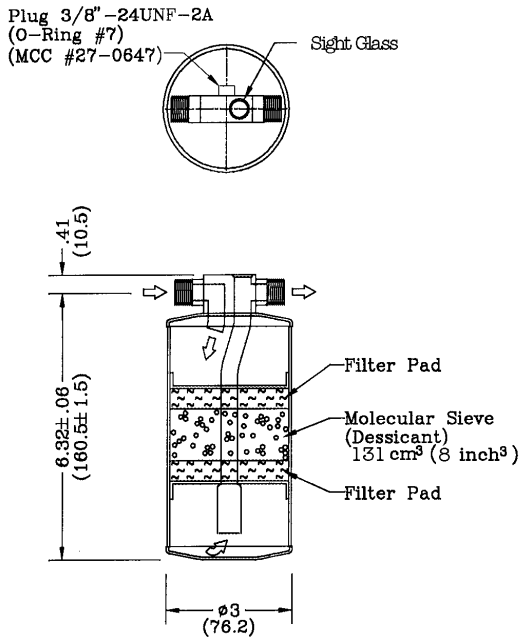


26-0219 Receiver Drier

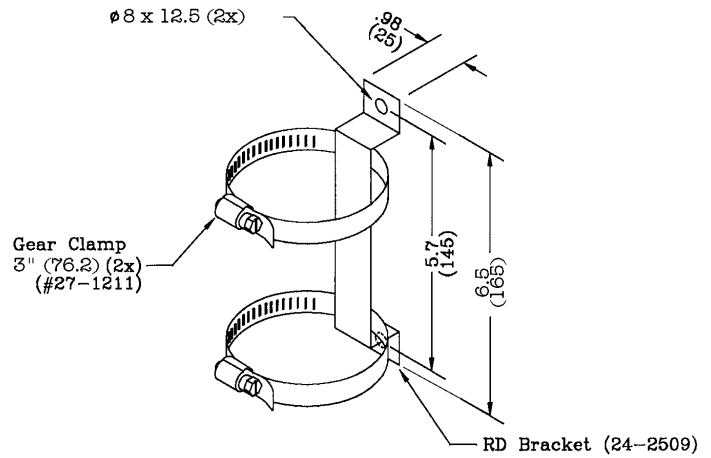


Receiver Driers

26-0016 Receiver Drier



26-0449 Receiver Drier Bracket Assy.



Note: RD Bracket Assy. made of 12GA (2.5mm) satin coated steel and powder coated black.

Part No.	Description
14-00326-05	Filter Drier
14-00320-00	Filter Drier, 3/4" ORS x 5/8" ORS
65-00193-00	Receiver w/ Filter Drier
14-00288-00	Filter Drier /Sightglass, 16 cu.in., 1/2" Male O-Ring

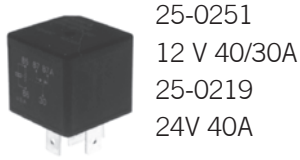


MCC P/N: 14-00320-00



MCC P/N: 65-00193-00

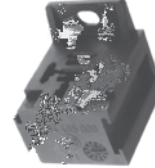
Relays



25-0251
12 V 40/30A
25-0219
24V 40A

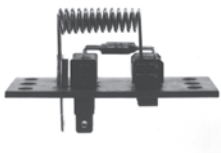


25-0074
12V 40/30A



25-0221
Socket for 25-0251
and 25-0219

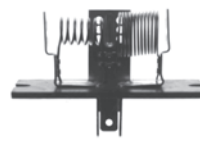
Resistors



25-0136 12V(0.4 | +0.4 |)300°F(150°C)
meltfuse

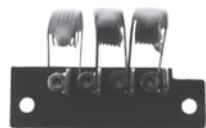
25-0156 24V (1.8 | +2.0 |)

25-0552 24V (0.8 | +1.8 |)

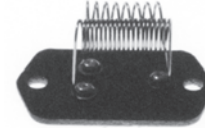


25-0120
12V (0.5 | +1.3 |)

25-0139
12V (0.35 | +1.5 |)



25-0095
12V (0.5 | +0.5 | +1 |)



25-0090
24V (1.4 | +4.5 |)



25-0601 12V (0.4 | +1.5 |) ceramic 333°F (167°C) meltfuse

25-0602 24V (1.2 | +3.5 |) ceramic 333°F (167°C) meltfuse

25-0604 24V (0.8 | +1.8 |)

29-0130 Resistor bracket for ceramic resistor Used with blower #515 (not pictured)

Diodes



25-0097 Heavy duty type, 12 amp, 10-32 thread

Automatic Circuit Breakers



25-0026 12V, 30 amp, 1/4" male terminal (Not pictured)

25-0406 24V, 20 amp,10-32 thread

25-0421 24V, 12 amp,10-32 thread

25-0442 12V, 40 amp,10-32 thread

Junction Block



25-0006 10-32 thread brass studs, rated 30A, 600V.
Max 302°F (150°C)

Pressure Switches

Pressure switches safeguard the compressor against extreme high and low pressures. This occurs when condenser capacity is reduced or after a loss of refrigerant. Recommended to be installed on the receiver-driers. They can also be installed on special fitting with switch port.



25-0038
R12 Male 3/8" - 24
25-0058
R12 Male 3/8" - 24
25-0308
R134a Male 3/8" - 24
25-0667
R134a Male 3/8" - 24



25-0343
R134a Fe 7/16" - 20
fits schrader valves
25-0674
R134a Fe 7/16" - 20
fits schrader valves

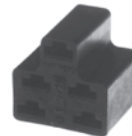
Cut Out Pressure Settings Psig (MPa)			
Part	High	Medium	Low
25-0038	370 (2.6)	-	27 (0.2)
25-0058	370 (2.6)	213 (1.5)	27 (0.2)
25-0308	455 (3.1)	-	28 (0.2)
25-0667	455 (3.1)	228 (1.6)	28 (0.2)
25-0343	455 (3.1)	-	28 (0.2)
25-0674	455 (3.1)	228 (1.6)	28 (0.2)

Rotary Switches



25-0029
For 3 speed motors, 15 amp, 4 pos
25-0044
For 3 speed motors, 25 amp, 4 pos
25-0305
For 2 speed motors, 15 amp, 3 pos
25-0307
On/off, 15 amp, 2 pos

Rotary switches include 25-0066 nut. Switches 25-0029/44/28 include an A/C circuit that closes when in low, medium or high speed



25-0034
Connector for 25-0029/44



25-0028
For 3 speed motors, 15 amp with resistor, 4 pos. Must be mounted in the air stream for cooling

Toggle Switches



25-0536
Two positions
25-0537
Three positions



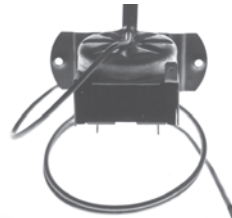
25-0100
For 3 speed motors, 15 amp, 4 pos
Includes an A/C circuit that closes when in low medium or high speed.

Thermostats

All thermostats include nut 25-0066. Thermostats are used to prevent icing of the coil by cycling the compressor clutch. Temp settings are 26° F (-3°C) cut out and 35° F (2° C) cut in. Capillary tube to be inserted at the coldest area in the coil. It must be inserted with minimum 15% of the capillary tubes total length.



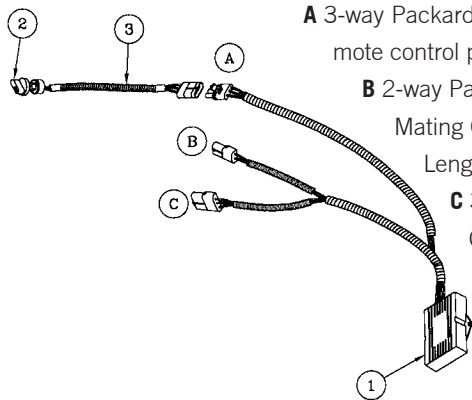
- 25-0030 19" capillary tube
- 25-0045 36" capillary tube
- 25-0118 As above with PVC tube protected capillary tube



- 25-0069 24" capillary tube
- 28-0031 PVC tube 1/4" OD
(Not pictured)
(used to protect capillary tube, specify length when ordering)

Stepless Blower Controller

19-0062 Blower Speed Kit



A 3-way Packard Weather Pack to Potentiometer Assy., an extension wire harness can be supplied for remote control panel installations. Length 21.7±0.2 (550±5)

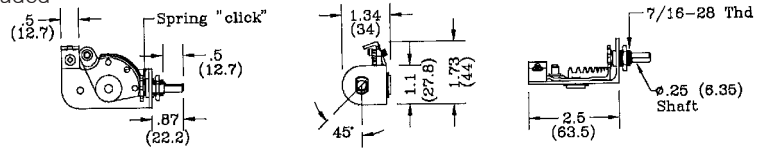
B 2-way Packard Weather Pack to Blower Motor Terminals: (A) Battery -A , (B) Motor-B
Mating Connector: MCC #31-1068, with terminal MCC #31-1039
Length 23±0.2 (585±.5)

C 3-way Packard Weather Pack to Power Input Terminals: (A) Battery-A, (B) Ground-C (C) Ignition-G Mating Connector: MCC #31-1091, with terminal MCC #31-1026 Length 23±0.2 (585±5)

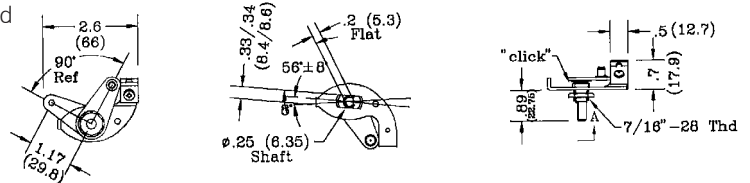
No.	Part No.	Description
1	35-0033	Motor Stepless Control
2	25-0581	Knob
3	35-0036	Potentiometer Assy.

Rotary Controls

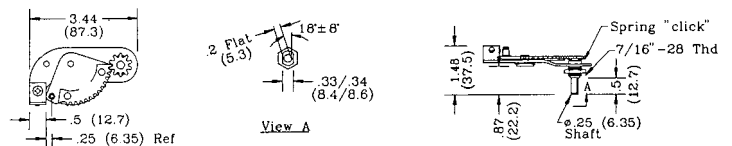
26-0350 Heavy duty steel rotary control, nut 25-0066 included



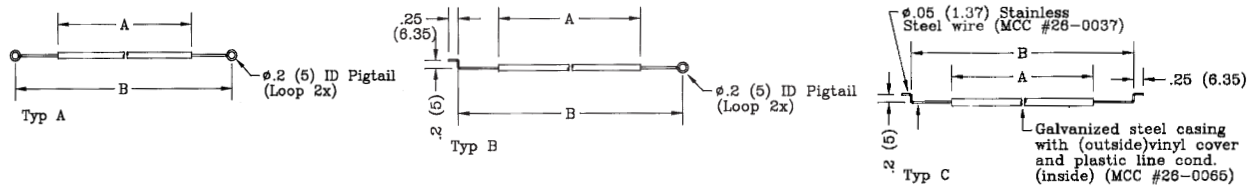
26-0345 Heavy duty steel rotary control, nut 25-0066 included



26-0359 Heavy duty steel rotary control, nut 25-0066 included



Bowden Cables



26-0037 Stainless steel wire
Specify length when ordering

26-0065 Vinyl cover galvanized steel spring with plastic insert.
Specify length when ordering.

29-0424 3/16" pushnut used for holding pigtails on shafts

(Use this Bowden Cable with metal controls only.)
Vinyl cover to be removed under cable clamp.

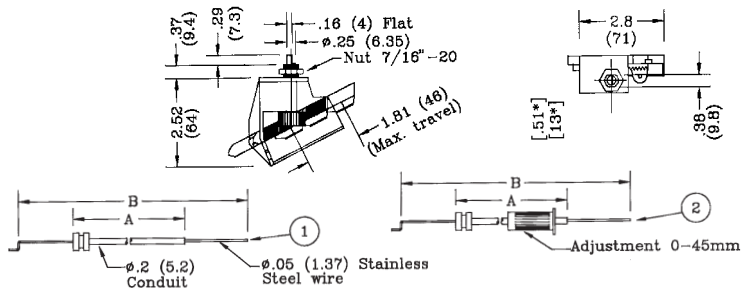
Injection Molded Rotary Control & Cable

26-0095 Medium duty injection molded rotary control, nut included.

26-0335 As above but with extended shaft (13mm) nut included.

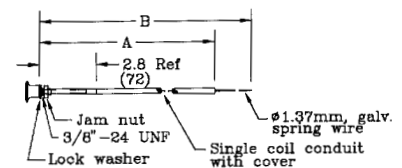
Sym	Part No.	Description	Note	A mm	B mm	A in	B in
	29-0040	Nut 7/16" - 20					
2	26-0099	Bowden Cable	With adjuster	2100	2250	82	88
2	26-0097	Bowden Cable	With adjuster	1100	1250	46	49
1	26-0098	Bowden Cable	W/O adjuster	2100	2250	82	88
1	26-0096	Bowden Cable	W/O adjuster	1100	1250	46	49

Use these bowden cables with injection molded controls only



Push & Pull Control

26-0008 Pull and push control for heavy duty use. A = 84" (2124 mm) B = 90" (2286 mm) 26-0058
26-0058 Longer version of above. A = 156" (3962 mm) B = 162" (4124 mm)



Fuse Holder
INLINE FUSE HOLDER

25-0682	Fuse holder (in Line)	Little Fuse	FHAC - 2	.75
25-0568	Fuse 3A	Little Fuse	ATO - 7.5	.18
25-0569	Fuse 5A	Little Fuse	ATO - 7.5	.18
25-0683	Fuse 7.5A	Little Fuse	ATO - 7.5	.18
25-0684	Fuse 10A	Little Fuse	ATO - 10	.18
25-0685	Fuse 15A	Little Fuse	ATO - 15	.18
25-0686	Fuse 20A	Little Fuse	ATO - 20	.18
25-0687	Fuse 25A	Little Fuse	ATO - 25	.18
25-0688	Fuse 30A	Little Fuse	ATO - 30	.18
25-0689	Fuse 40A	Little Fuse	ATO - 40	.18



FlexCliK Assembly Tools



07-00507-00
MCC FlexCLIK System
Installation Kit



07-00508-00
Ratching Connecting Tool
for #16 Hose



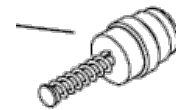
07-00467-00
Connecting Tool (Pliers)



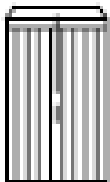
AC101-708
Hose Cutter Tool
AC101-711
Hose Cutter Replacement Blade



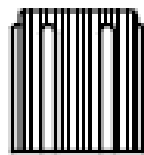
Y03-00001-00
Core Access Tool (High &
Low Access Fittings)



Y27-00047-00
Access Core, R134a Low Side
Y27-00047-01
Access Core, R134a High Side



Y27-00048-00
Cap, Access Port, R134a Low Side



Y27-00048-01
Cap, Access Port, R134a High Side

Pag Compressor Oil & Fin Comb



30-0005

Fin comb for 6, 8, 10, 12, 14 and 15 fins/inch coils. Can be used for heater, evaporator and condenser coils.



30-0001

Pag OIL for compressors, 1 liter bottle