



## Heater **Whisper 3C, 7C and 12C**

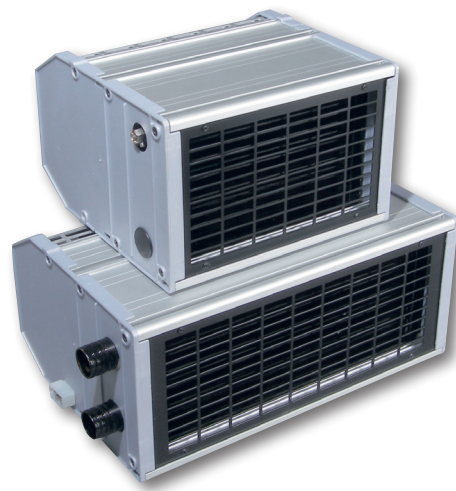
# High performance heating system

The Whisper 3C, 7C and 12C heaters are units designed for high output. Whisper 3C available only in 24V, 7C and 12C Units are available in 12V and 24V versions. Thanks to its modular design, piping can be mounted on either left or

right side for easy installation. 3C, 7C and 12C are electromagnetic interference conformance (EMC) approved according to 72/245/EG including revision 2005/83/EG.



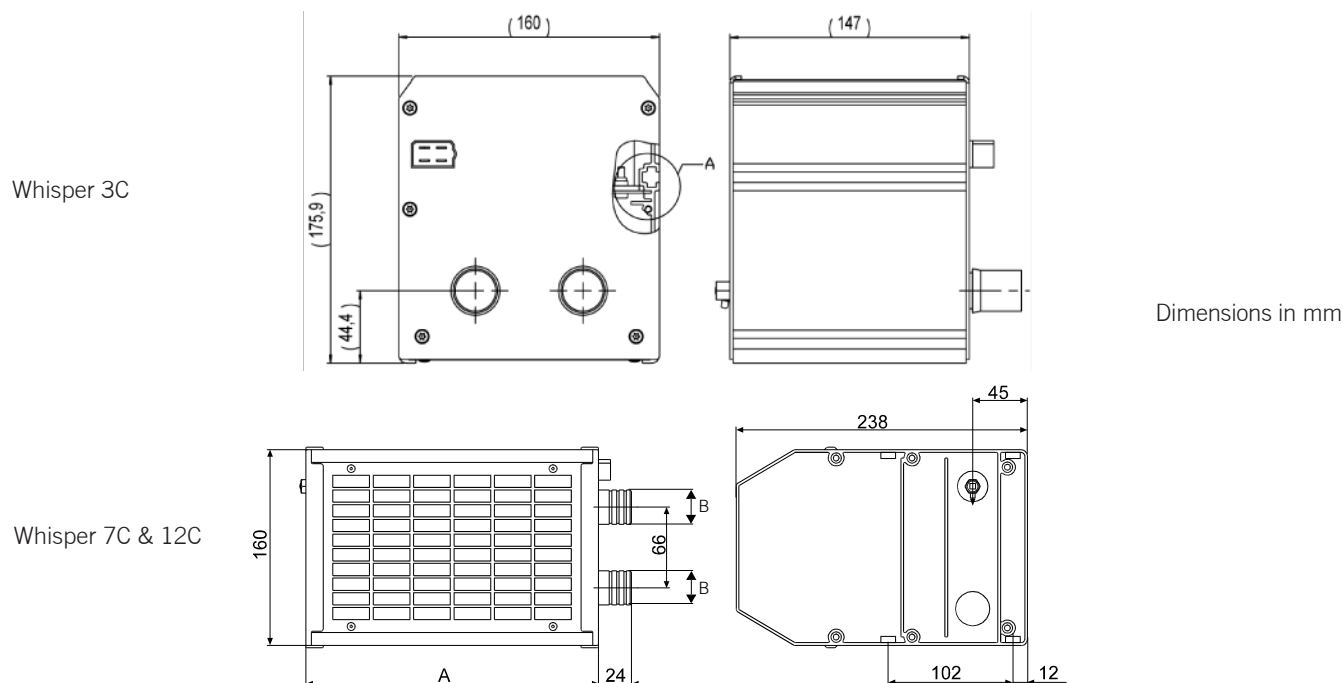
Whisper 3C



Whisper 7C & 12C

### Features

- Design for buses, off-road and marine applications
- High performance
- Rugged design
- Piping can be mounted either left or right side
- Can be mounted in horizontal or vertical position



## Technical Data

	<b>3C</b>	<b>7C</b>	<b>12C</b>
Heat @ 24V	10577 Btu/hr (3.1 kW) $Q_{80}$ <sup>[1]</sup>	24567 Btu (7 kW) $Q_{80}$ <sup>[1]</sup>	39240 Btu (11.5 kW) $Q_{80}$ <sup>[1]</sup>
Heat @ 12V	N/A	21496 Btu (6 kW) $Q_{80}$ <sup>[1]</sup>	35827 Btu (10.5 kW) $Q_{80}$ <sup>[1]</sup>
Air flow @ 24 V	102 CFM (175 m <sup>3</sup> /h)	212 CFM (360 m <sup>3</sup> /h)	309 CFM (525 m <sup>3</sup> /h)
Air flow @ 12 V	N/A	182.5 CFM (310 m <sup>3</sup> /h)	256 CFM (435 m <sup>3</sup> /h)
Max current @ 24 V (A)	2.6 Amp	4.3	6.2
Max current @ 12 V (A)	N/A	8.3	11.7
Hose connection	22/28 mm	22/28 mm	22/28 mm
Weight	6 lbs (2.6 kg)	11.2 lbs (5.1 kg)	14.5 lbs (6.6 kg)
Depth	6.3" (160 mm)	9.3" (238 mm)	9.3" (238 mm)
Height	6.9" (175 mm)	6.3" (160 mm)	6.3" (160 mm)
Length	5.7" (147 mm)	9.4" (239 mm)	14" (356 mm)
Electrical connection	4 pin AMP 180901-0 connector		
Heat exchanger	Copper fins with brass and plates		
Casing	Natural anodised aluminium sections		
Standard colour	Natural aluminium		
Accessories	Different types of hoses, brackets etc, see product sheet		

[1] The  $Q_x$  value stands for the temperature difference between the water inlet temp and the air temp in the room where the heat exchanger is. For instance water inlet temp +80°C and air temp +20°C is known as  $Q_{80}$ .