



**Mobile Climate Control**  
On Road



# Total comfort day or night



PN: 89-0028

**EcoSleeper Lite** – Fully Battery Operated DC Powered Modular A/C System

## EcoSleeper Lite

– Fully Battery Operated DC Powered Modular A/C System

# Stay comfortable and save while you rest



Relax in peace and quiet, without engine noise. The MCC Ecosleeper Lite will always give you a comfortable sleeping temperature during your down time, whether in the heat of the day or warm nights.

Turn off the engine, set the temperature with the Electronic Climate Controller and you turn down operating costs. The MCC battery powered A/C system maintains an even temperature without using the truck's engine. The system is comprised of an Evaporator Unit, a Condenser Unit, a Compressor unit, and an Electronic Climate Controller.

It is easy to both install and maintain.



## Summary of advantages

- Fast financial payback
- Low weight
- Quick and easy installation
- Low maintenance and easily accessible
- Save fuel during bunk cooling
- State of the art battery management system

## Features

- Meets stringent anti-idling regulations
- Quiet operation less than 65dB
- Stand alone electronic climate control
- Unit run-time 8 hours\*
- Simple unit installation and low maintenance operation
- Reduces engine wear
- Low battery voltage protection
- Uses R134a refrigerant

## Solid Construction

- Aluminum enclosure for durability
- Robust mounting kit options

## Leading Edge Technology

- Advanced electronic climate control with built in system diagnostics
- Data logging option
- Semi hermetic scroll compressor with built in brushless motor
- State of the art battery management system to extend battery life and reduce costs

## MCC recommended installations

- AGM pure lead batteries
- Revolutionary MCC Fleet tracking system
- High current 230 Amp alternator

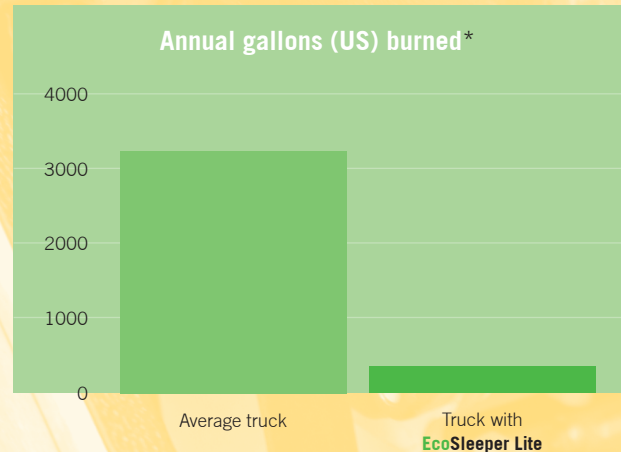
\*Using four AGM batteries and truck batteries.

	EcoSleeper Lite 8500	EcoSleeper Lite 13000
Cooling capacity (@95°F)	8500 Btu/hr (2.5 kW)	13000 Btu/hr (3.8 kW)
Run time (hrs)	Up to 8	Up to 8
Refrigerant	R134a	R134a
Number of batteries	4	4 + truck batteries
Voltage	12V	24V
Number of major components	4	4
Power Requirements	700 Watts Max	1200 Watts Max
Air flow	300 CFM (509.7 m³/hr)	300 CFM (509.7 m³/hr)
Approx. system weight without batteries	55 lbs (25 kg)	55 lbs (25 kg)

\*Truck alternator must be a minimum of 220 Amp capacity

## Estimated Savings with the EcoSleeper Lite

All test results have been verified in the MCC climate chamber.



\*Based on truck idling for 6 hours on 250 operating nights per year

## Estimated drop in CO<sub>2</sub> emissions with the EcoSleeper Lite

- Reductions per night 106 lbs
- Reductions per year 26 455 lbs
- Reductions over five years 132 277 lbs

# System components

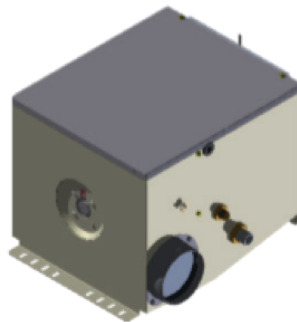
## 1 MVC control Unit

Mounted inside the sleeper area, the display allows user to turn the system on, adjust temperature and fan speed. The MVC can also provide system diagnostics for service technician.



## 2 Evaporator Unit

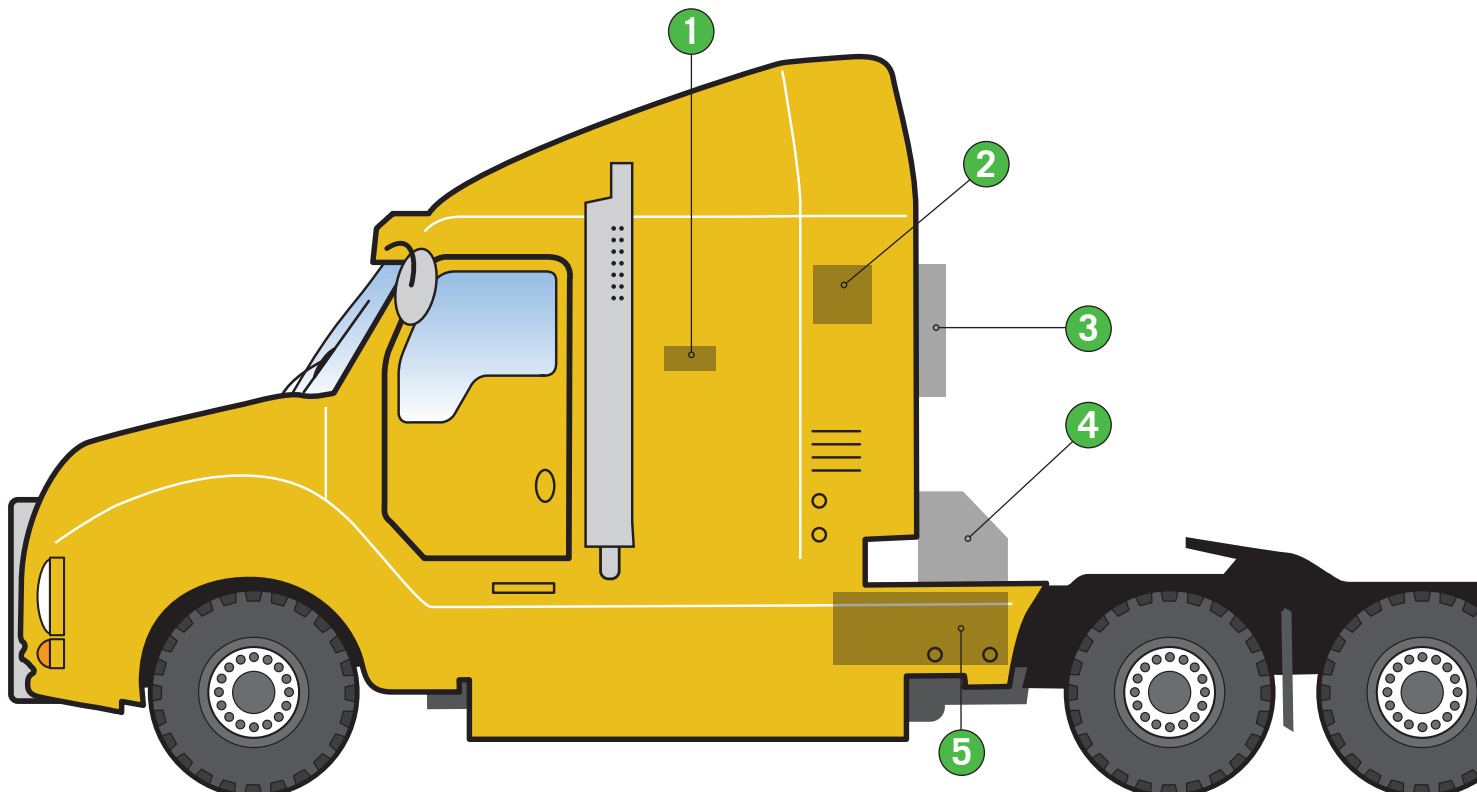
Ecosleeper Lite's evaporator is a modular and flexible platform. It can work with any evaporator unit of the correct size. This gives a multitude of configuration options that were not available with the other systems.



Ducted



Non-ducted



### 3 Condenser Unit

Ecosleeper Lite's condenser is made of high performance aluminum and is modular. It can be mounted on the cover of the compressor box or back of driver's cab and the system can be offered pre-charged with refrigerant.



Cab mount



Compressor mount

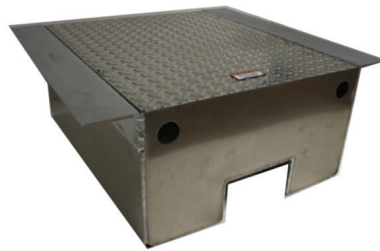
### 4 Power/Cooling Module

The A/C compressor and power electronics are enclosed in a lightweight aluminum enclosure.



### 5 Battery box

In frame or side mounted after market battery boxes can be used.



In frame mount

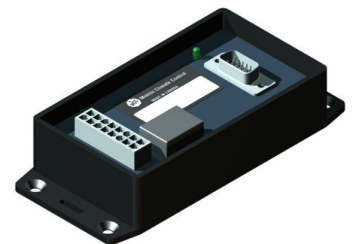


Side mount

### Fleet tracker module (optional)

The MCC Fleet Tracker is an optional communication module that collects data from the vehicle's CAN BUS and RS-485 and sent via a GSM/GPRS modem for the EcoSleeper Lite. Fleet Tracker software allows real-time monitoring and diagnostic of HVAC system status and other CAN BUS parameters. The Fleet Tracker software is able to monitor multiple vehicles at the same time.

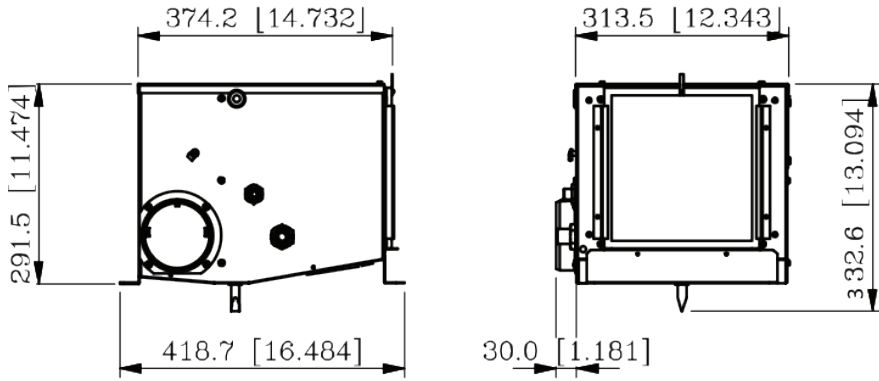
- Easy to install and use
- Real-time monitoring
- Reduces A/C system downtime
- Works with world-wide GSM/GRPS cellular network



# Dimensions

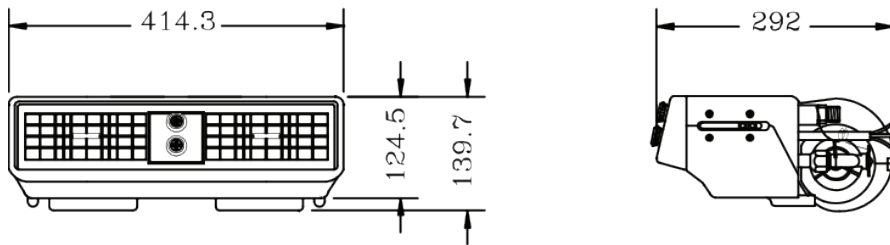
## Ducted evaporator unit

---



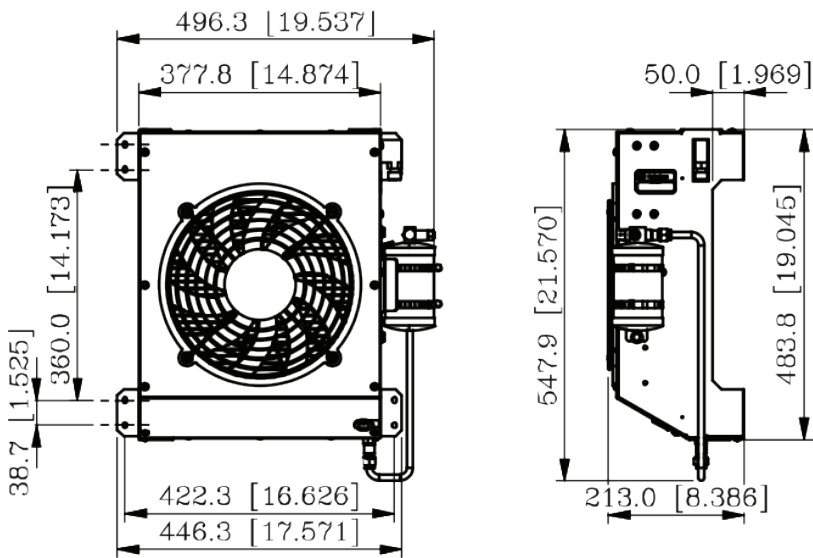
## Non-ducted evaporator unit

---



## Condenser unit

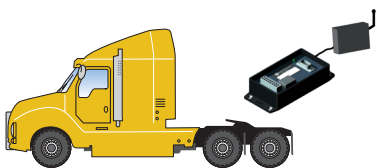
---



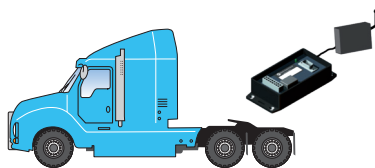
# Link up to perfect conditions

MCC Coolview Fleet Tracking is a standard MVC with an optional Wi-Fi or 3G GSM transceiver. Coolview Fleet Tracking allows real-time monitoring and diagnostics.

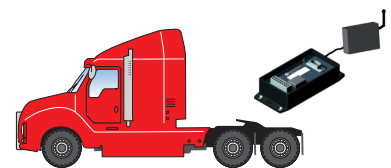
Data stored in ECC's memory can be downloaded at any time for troubleshooting or analysis by MCC and local service personnel.



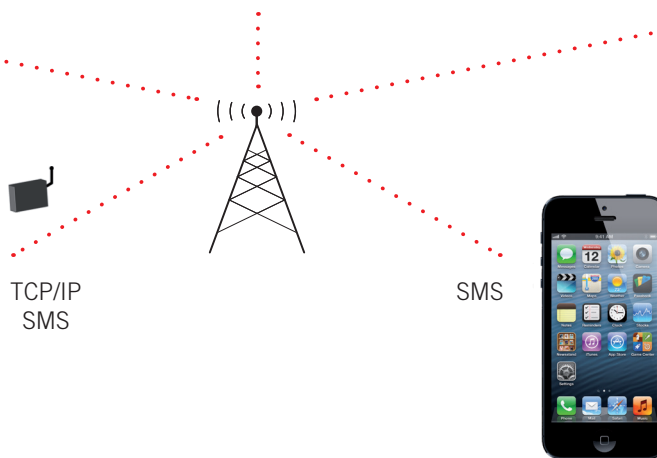
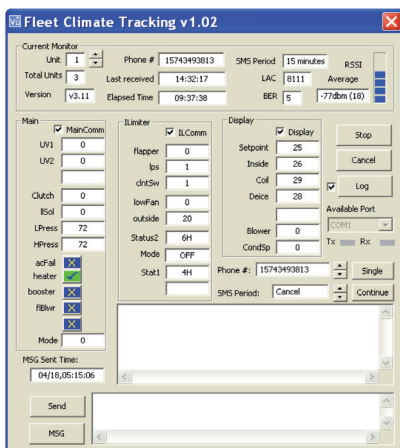
Fleet Tracker/GPRS Modem



Fleet Tracker/GPRS Modem



Fleet Tracker/GPRS Modem



# Every driver deserves the best possible vehicle climate with MCC products



Visit [www.mcc-hvac.com](http://www.mcc-hvac.com) to calculate your  
investment payback time!