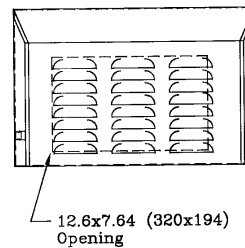
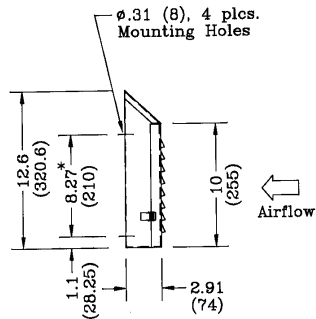
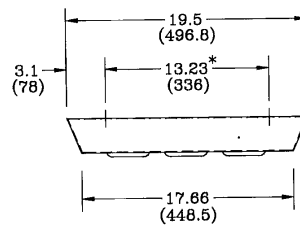
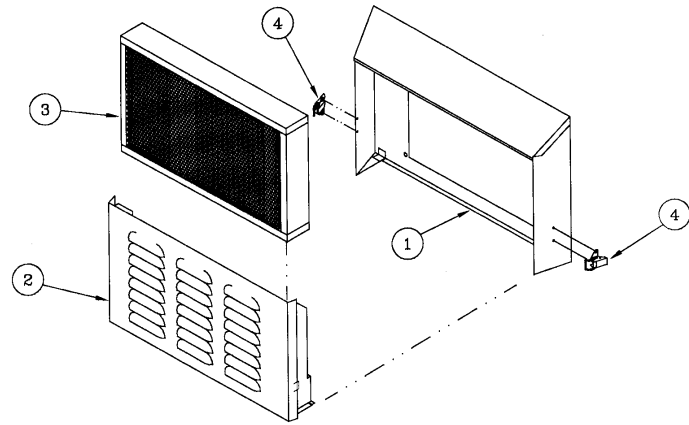


# Filter Kit 601



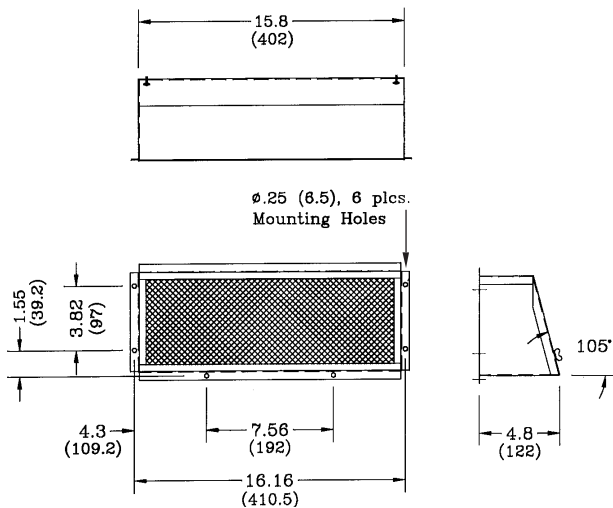
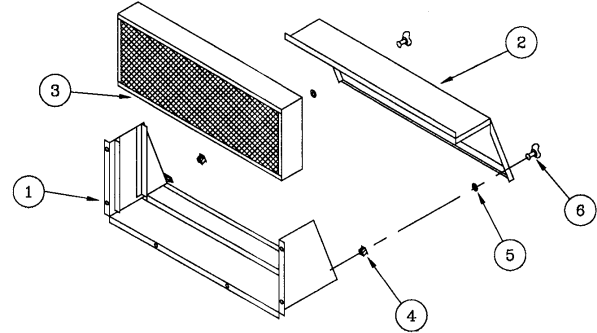
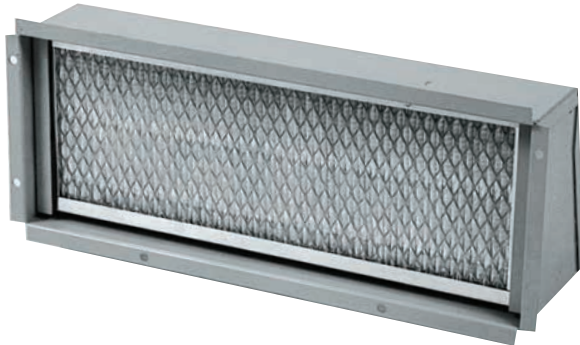
## Part Descriptions: Specifications

Part No.	No.	Part No.	Description
16-0195	1	24-1151	Filter Assy.
Made of 18GA (1.25mm) Cold Rolled Steel and finished in a black semi-gloss epoxy powder coat.	2	24-1152	Casing
* Mounting holes location	3	26-0004	Cover
	4	29-0022	Filter
			Latch

## Features

The 601 has an aluminum frame and a disposable filter element.

# Filter Kit 602



**PN**

- 28-0150
- 38-00547-00
- 38-00547-04
- 38-00573-01
- 38-00573-04

**Description**

- Filter, Air 48.5" x 5" x 0.5", 30 PPI
- Filter, Air 1.00" x 16.5" x 46", Washable
- Filter, Air 1.00" x 18" x 46"
- Filter, Air 9" x 36.5", EM1, Gen V
- Filter, Air 1.00" x 18" x 46"

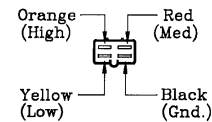
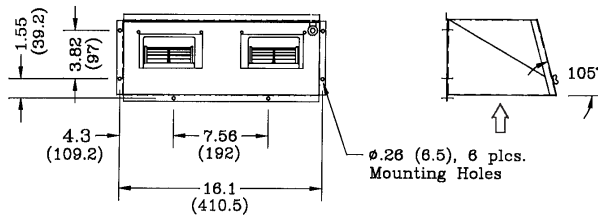
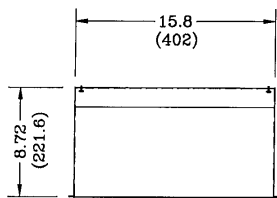
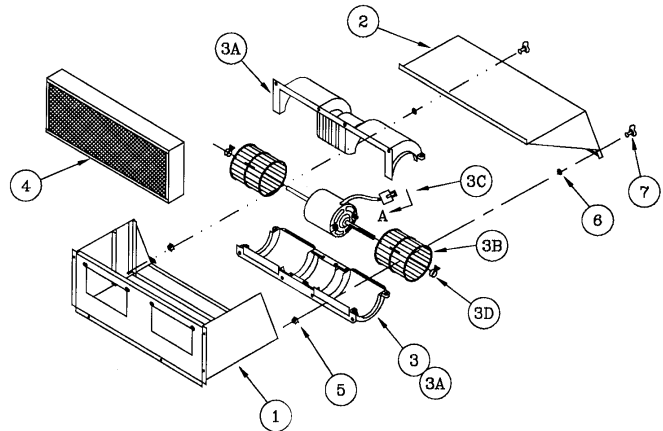
## Part Descriptions: Specifications

Part No.	No.	Part No.	Description
16-0200 Filter Assy. Made of 18GA (1.25mm) Cold Rolled Steel and finished in black semi-gloss epoxy powder coat.	1	24-2220	Filter Box
	2	24-2209	Cover
	3	26-0041	Air Filter
	4	29-0075	Retainer
	5	29-0077	Receptacle
	6	29-0082	Stud Wing Head

## Features

The 602 has an aluminum frame and a disposable filter element.

# Filter Kit 603 - Pressurizer



View A

Packard EL 4-way Conn. #294544 with #2971962-L Terminal (4x)

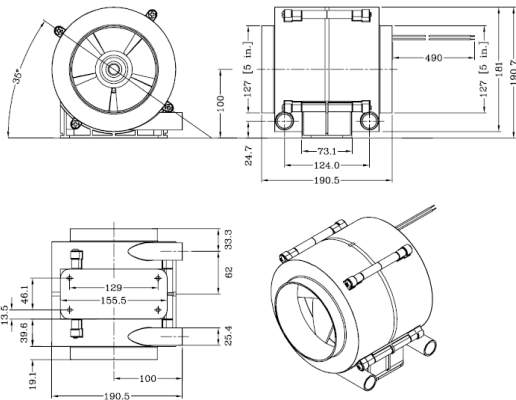
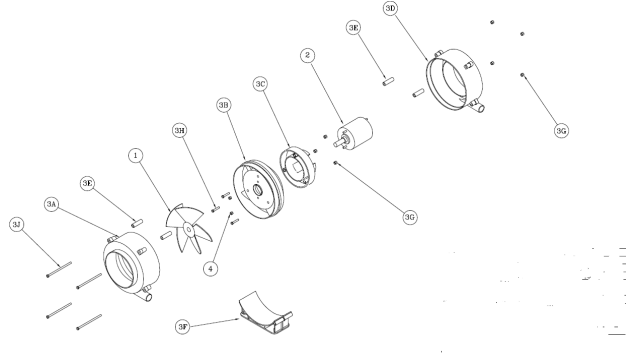
## Part Descriptions: Specifications

Part No.	No.	Part No.	Description	No.	Part No.	Description	
16-0353	Filter Assy./12V	1	24-1627	Filter Box	4	26-0041	Air Filter
16-0354	Filter Assy./24V	2	24-1628	Cover	5	29-0075	Receptacle
Current	-12 Amps/12V	3	15-0533	Blower 12V	6	29-0077	Retainer
	-6 Amps/24V	3A	15-0534	Blower 24V	7	29-0078	Stud Wing Head
Made of 18GA (1.25mm) Cold Rolled Steel and finished in black semi-gloss epoxy powder coat.		3B	25-0017	Blower Housing			
		3C	25-0021	Blower Wheel			
		3C	25-0643	Blower Motor 12V			
		3D	25-0644	Blower Motor 24V			
		3D	25-0022	Clip			

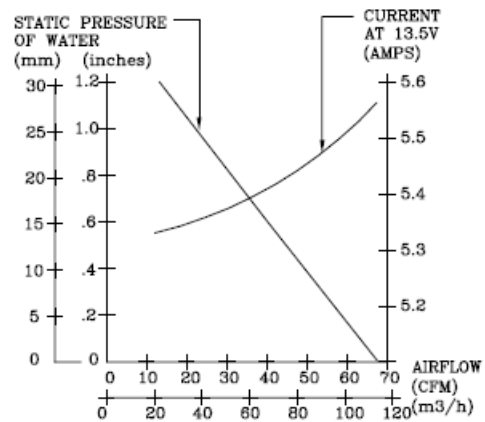
## Features

The 603 has an aluminum frame and a disposable filter element.

# Filter Kit 605 - Pressurizer



**Airflow**



## Part Descriptions: Specifications

No.	Part No.	Description
4	29-0230	HEX NUT (10-32)
3K	29-0746	BASE INSERT (M6)
3J	29-0745	¼ - 20X5" SLOT SCREW
3H	29-0744	¼ - 20X1.25" HEX HEAD BOLT
3G	29-0743	HEX LOCK NUT (1/4-20)
3F	28-0623	BASE
3E	28-0622	SPACERS
3D	28-0621	OUTLET
1	25-0013	FAN

No.	Part No.	Description
3C	28-0620	MOTOR MOUNT
3B	28-0619	LOUVER MOUNT
3A	28-0881	Ø3" INLET
3	28-0649	BODY ASSY. (Ø3" INLET)
2	25-0894	MOTOR 24V