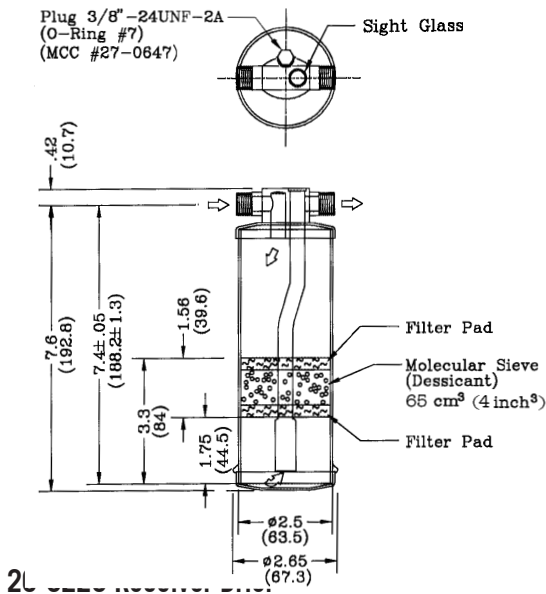


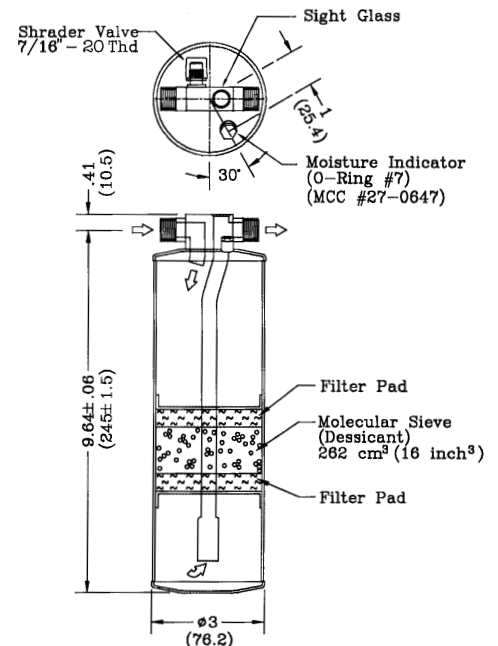
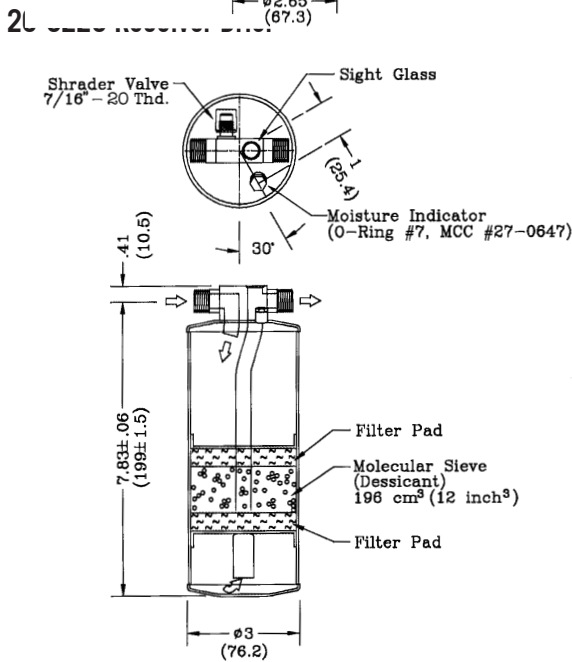
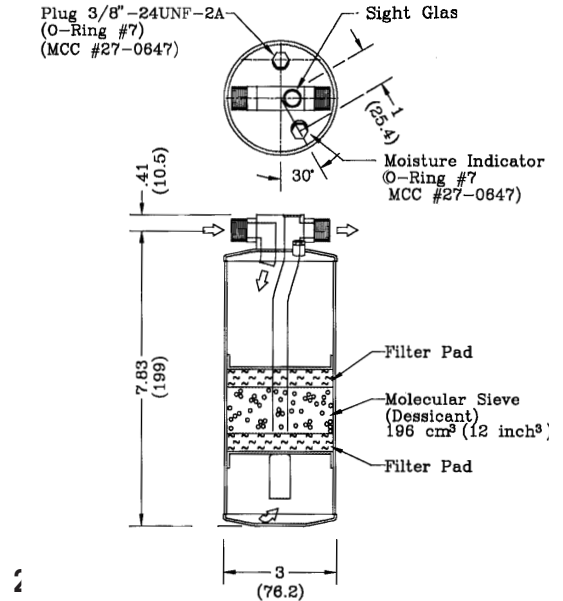
Receiver Driers

Most of MCC high capacity receiver driers are equipped with a moisture indicator that turns colour from blue to beige. It takes the guesswork out of determining moisture content in the system. Beige means replace receiver drier and refrigeration oil by draining compressor. Then recharge the system. Blue means OK. RD's should be mounted as close to the condenser as possible and in the air stream of the radiator fan. Please note that many of the forced air condensers are already equipped with a RD. All RD's are equipped with sight glass and some with shradar valves, making it possible to replace the pressure switch without the loss of refrigerant. We recommend installation of a pressure switch on the RD.

26-0014 Receiver Drier

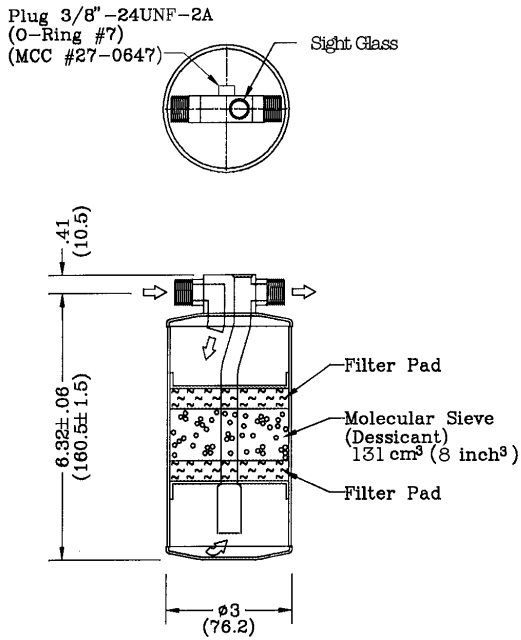


26-0219 Receiver Drier

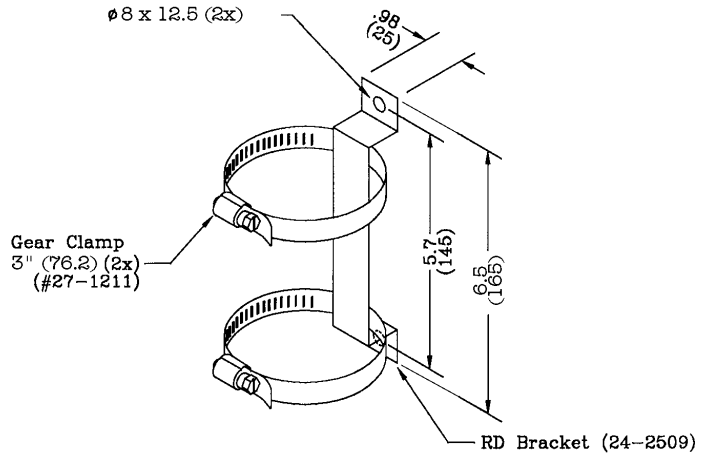


Receiver Driers

26-0016 Receiver Drier



26-0449 Receiver Drier Bracket Assy.



Note: RD Bracket Assy. made of 12GA (2.5mm) satin coated steel and powder coated black.

Part No.	Description
14-00326-05	Filter Drier
14-00320-00	Filter Drier, 3/4" ORS x 5/8" ORS
65-00193-00	Receiver w/ Filter Drier
14-00288-00	Filter Drier /Sightglass, 16 cu.in., 1/2" Male O-Ring



MCC P/N: 14-00320-00



MCC P/N: 65-00193-00