



Rearmount Air Conditioning System **Eco RM 35**

Capacity, Reliability, and Serviceability

MCC Eco RM 35 unit, selected as preferred equipment by leading bus manufacturers, delivers significantly higher operating capacity and efficiency, less maintenance, longer

system life, and reduced engine loads and fuel consumption. Meets or exceeds all industry recognized specifications in both the heating and cooling modes.

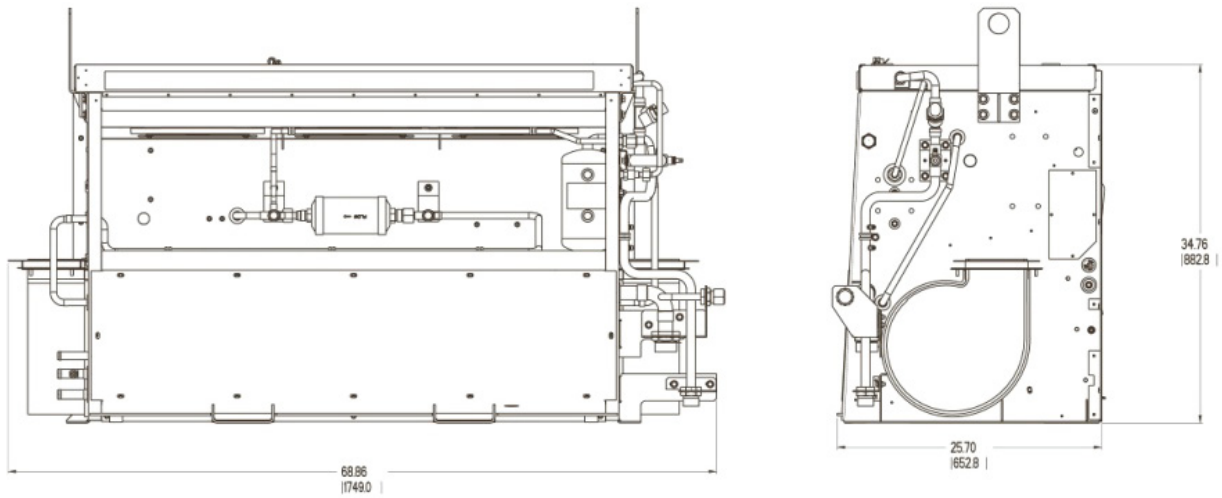


Features

- Heavy duty fan motors
- Aluminium microchannel condenser
- Optimized for R134a refrigerant
- Solid-state electronic controls
- Aluminum frame
- Six-cylinder 41-CID (672 cm³) 05G compressor with housing-mounted clutch

Benefits

- Lower life cycle costs
- Reduces weight, improves performance
- Best suited for high ambient and operates at lower pressure
- Longer service life
- Rugged and lightweight
- Exclusive 05G six-cylinder compressors with standard unloading for fuel saving



Technical Data

Cooling capacity	108000 Btu/hr (32 kW) ARI ^[1]
Heating capacity	95000 Btu/hr (28 kW) assumes coolant flow rate at 8.0 GPM (1817 l/h) and 100°F
Weight	380 lbs (172 kg)
Refrigerant	R134a
Air flow rate	High 2400 CFM (4078 m ³ /h) Low 1350 CFM (2294 m ³ /h)
Current	105 A @ 24 V dc
Dimensions (W x D x H)	68.86" (1749.0 mm) x 25.7" (653 mm) x 34.76" (882.8 mm)

[1] ARI: 95°F (35°C) / 80°F (27°C) / 50% RH

