



**Mobile Climate Control**  
On Road



# Total comfort day or night



PN: 89-0028

**EcoSleeper Compact** – Fully Battery Operated DC Powered Modular A/C System

## EcoSleeper Compact

– Fully Battery Operated DC Powered Modular A/C System

# Stay comfortable and save while you rest



Relax in peace and quiet, without engine noise. The MCC Ecosleeper Compact will always give you a comfortable sleeping temperature during your down time, whether in the heat of the day or warm nights.

Turn off the engine, set the temperature with the Electronic Climate Controller and you turn down operating costs. The MCC battery powered A/C system maintains an even temperature without using the truck's engine. The system is comprised of an Evaporator Unit, a Condenser Unit, an In Frame mounted power compressor module and controller.

It is easy to both install and maintain.

### Features

- Compact design
- Modular design
- Aluminum enclosure of power module
- State of the art battery management
- Low battery voltage protection
- Refrigerant R134a
- Advanced electronic controls
- Competitively priced

### Benefits

- Quick and easy installation
- Easy service accessibility
- Lower weight
- Extended battery life
- Extended run time from 6 to 10 hours
- Ensures extended battery life and emergency engine starts
- Environmentally friendly
- Provides diagnostics for troubleshooting
- Fast financial payback

# Stay comfortable while waiting to load or unload

## MCC tested and validated

All test results have been verified in the MCC climate chamber.

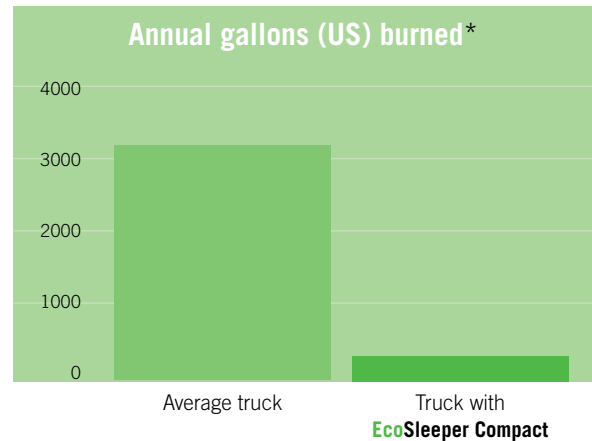
## MCC recommended installations

- AGM pure lead batteries
- Revolutionary MCC Fleet tracking system
- High current 230 Amp alternator

\*Using four AGM batteries and truck batteries.

## Estimated drop in CO2 emissions with the EcoSleeper Compact

- Reductions per night 106 lbs
- Reductions per year 26 455 lbs
- Reductions over five years 132 277 lbs



\*Based on truck idling for 6 hours on 250 operating nights per year

## EcoSleeper Compact

Cooling capacity (@95°F)	11000 Btu/hr (3.2 kW)
Run time (hrs)	Up to 10
Refrigerant	R134a
Number of batteries	4
Voltage	12V
Number of major components	4
Power Requirements	550 watts average (750 Watts Max)
Air flow	300 CFM (509.7 m <sup>3</sup> /hr)
Approx. system weight without batteries	170 lbs (77 kg)

# System components

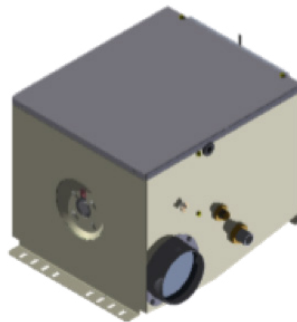
## 1 MVC control Unit

Mounted inside the sleeper area, the display allows user to turn the system on, adjust temperature and fan speed. The MVC can also provide system diagnostics for service technician.



## 2 Evaporator Unit

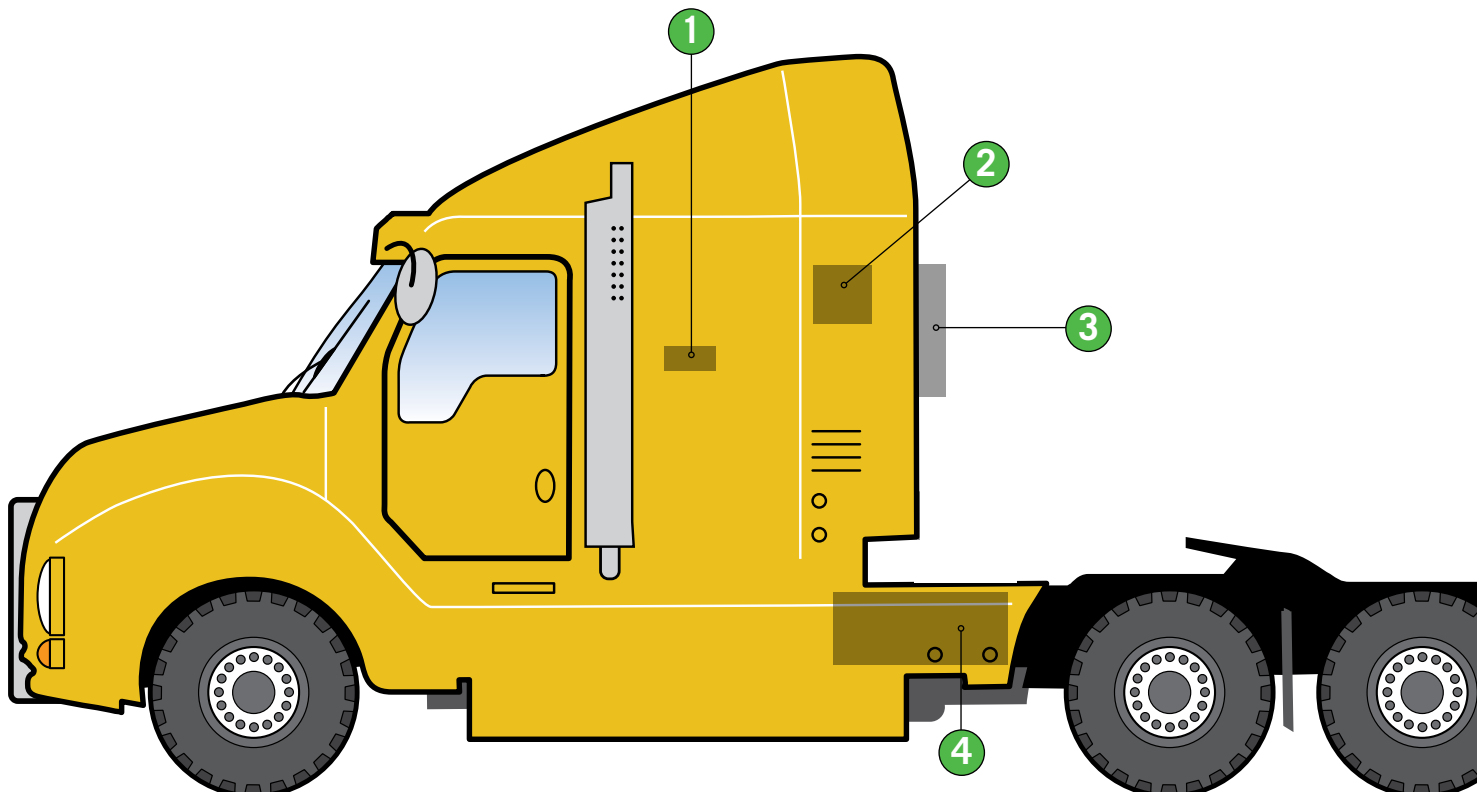
Ecosleeper Compact's evaporator is a modular and flexible platform. It can work with any evaporator unit of the correct size. This gives a multitude of configuration options that were not available with the other systems.



Ducted



Non-ducted



### 3 Condenser Unit

---

EcoSleeper Compact's condenser is made of high performance aluminum and is modular. It can be mounted on the cover of the compressor box or back of driver's cab and the system can be offered pre-charged with refrigerant.



Cab mount

### 4 In frame power compressor module

---

The A/C compressor and power electronics are enclosed within an in frame light weight aluminum battery box.



In frame mount

### Fleet tracker module (optional)

---

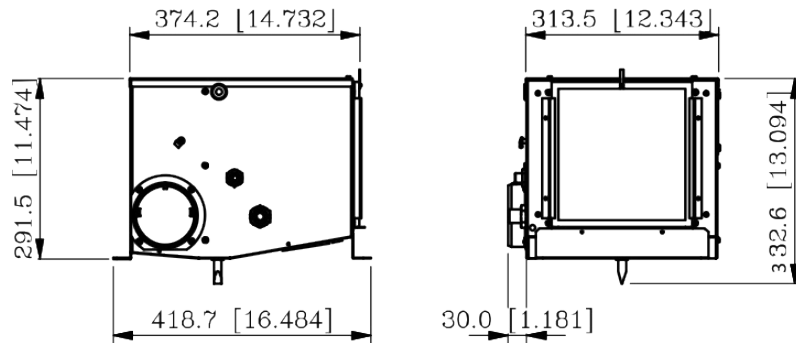
The MCC Fleet Tracker is an optional communication module that collects data from the vehicle's CAN BUS and RS-485 and sent via a GSM/GPRS modem for the EcoSleeper Compact. Fleet Tracker software allows real-time monitoring and diagnostic of HVAC system status and other CAN BUS parameters. The Fleet Tracker software is able to monitor multiple vehicles at the same time.

- Easy to install and use
- Real-time monitoring
- Reduces A/C system downtime
- Works with world-wide GSM/GRPS cellular network

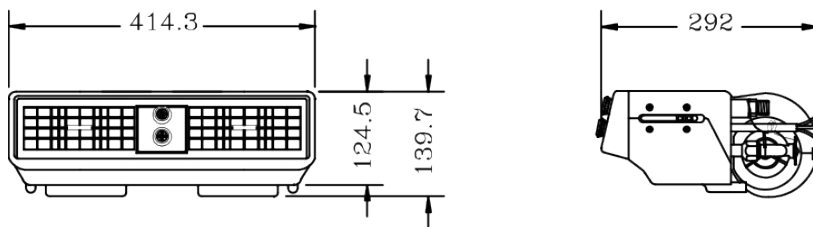


# Dimensions

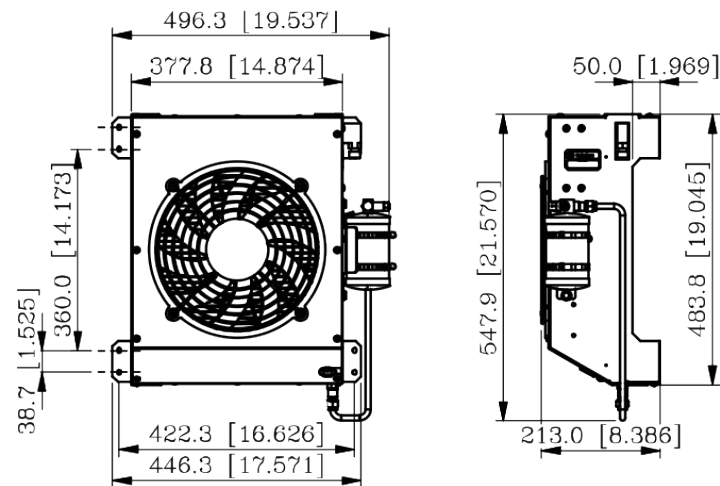
## Ducted evaporator unit



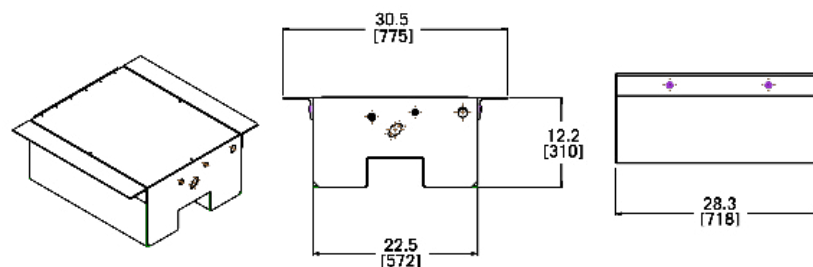
## Non-ducted evaporator unit



## Condenser unit



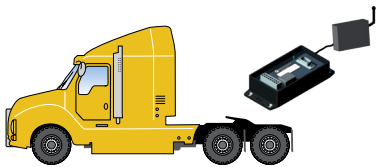
## In frame power compressor module



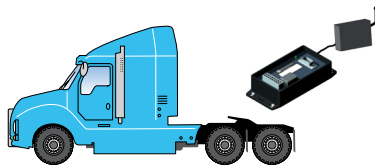
# Link up to perfect conditions

MCC Coolview Fleet Tracking is a standard MVC with an optional Wi-Fi or 3G GSM transceiver. Coolview Fleet Tracking allows real-time monitoring and diagnostics.

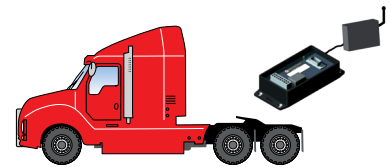
Data stored in ECC's memory can be downloaded at any time for troubleshooting or analysis by MCC and local service personnel.



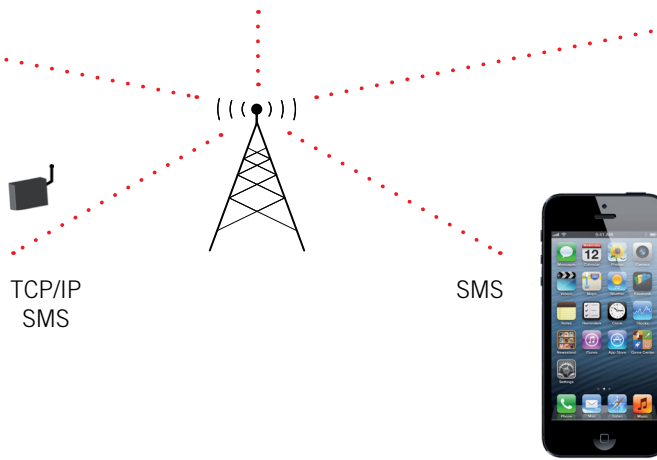
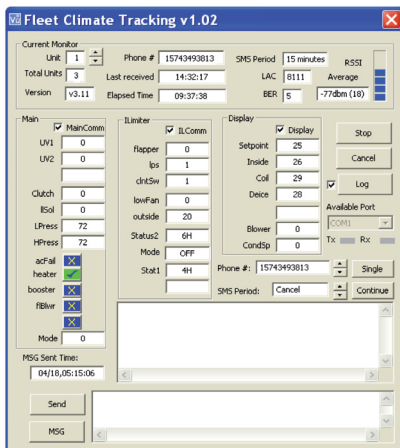
Fleet Tracker/GPRS Modem



Fleet Tracker/GPRS Modem



Fleet Tracker/GPRS Modem



# Every driver deserves the best possible vehicle climate with MCC products



Visit [www.mcc-hvac.com](http://www.mcc-hvac.com) to calculate your  
investment payback time!