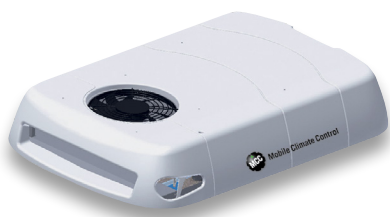




Mobile Climate Control
On Road



**Flexibility is the key
to success**



EcoFlex – flexible climate control for buses

PN: 89-0030

EcoFlex:

Fully flexible modular climate control system with a full range of options.



EcoFlex is the brand new A/C family. The self-contained unit (EcoFlex 4E) consists of all components including scroll compressor and

brushless motor drive. You can also choose a model with just a condenser and compressor for a split system (EcoFlex

4ES). A third model (EcoFlex 6) is available which includes all components except the compressor. This model can be used as a passenger A/C for minibuses.

All models are manufactured with extensive use of aluminum components and ABS attractive covers, in order to keep the weight to a minimum. The cooling systems have been optimized to provide the maximum cooling performance with a minimal R134a refrigerant charge.



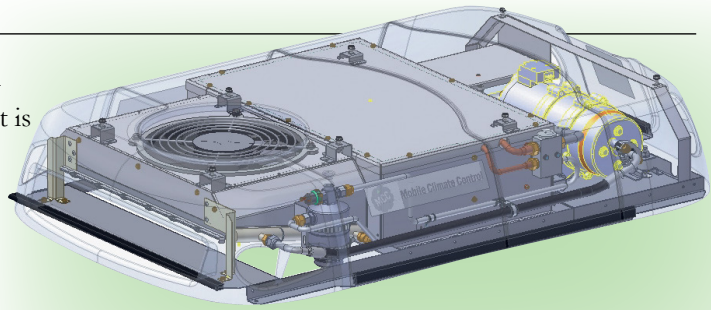
Summary of advantages

- Low weight thanks to aluminum parts and ABS Cover
- Low refrigerant charge
- Improved performance, using high performance heat exchangers
- Less vibration, with a quiet scroll compressor
- Attractive design
- Modular system
- Easy to install

EcoFlex 4E (Electric)

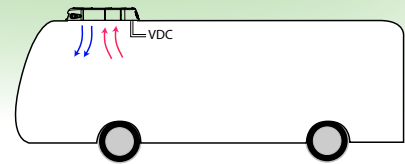
This is the DC powered complete, factory charged system AC. Just install and connect to the electrical system and it is ready to deliver cold air. Comes with all components including, reliable brushless motor drive, scroll compressor, evaporator, condenser and fans (see pages 4–5).

Can be used as a driver A/C for citybus, small commercial van vehicles, truck cabs, or any machine/vehicle with a small cab.



Main components:

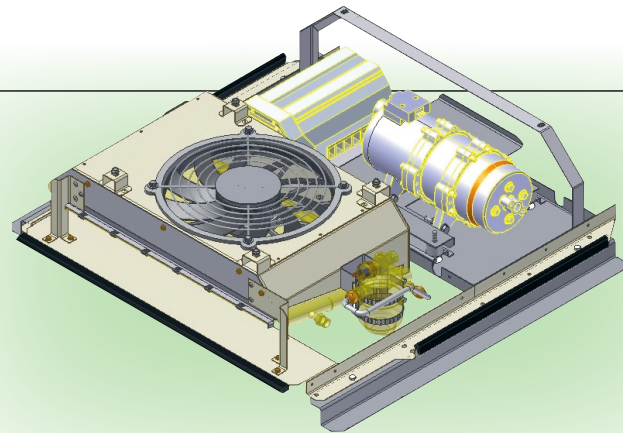
- Compressor
- Brushless motor
- Evaporator and blower
- Condenser and fan



EcoFlex 4ES (Electrical Split)

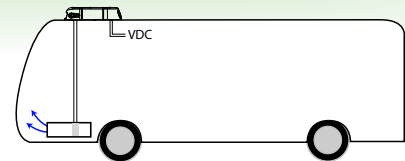
This is the model to choose if you want a remote evaporator.

The EcoFlex 4ES includes reliable brushless motor drive and scroll compressor, condenser and condenser fan (see pages 4–5).



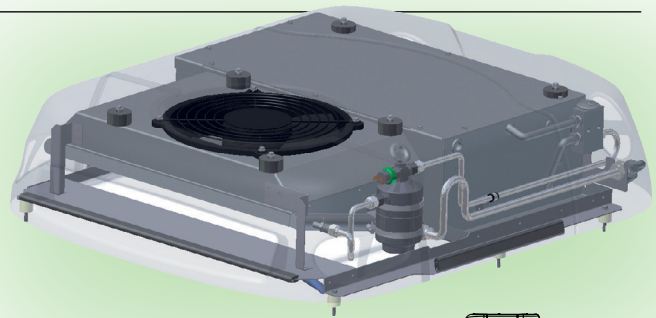
Main components:

- Compressor
- Brushless motor
- Condenser and fan



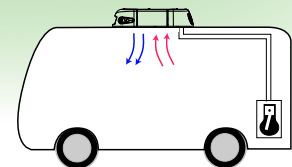
EcoFlex 6

This model is the non-electric EcoFlex, ready to connect to the engine driven compressor, remote evaporator, condenser, fans, and all necessary components (see pages 4–5).



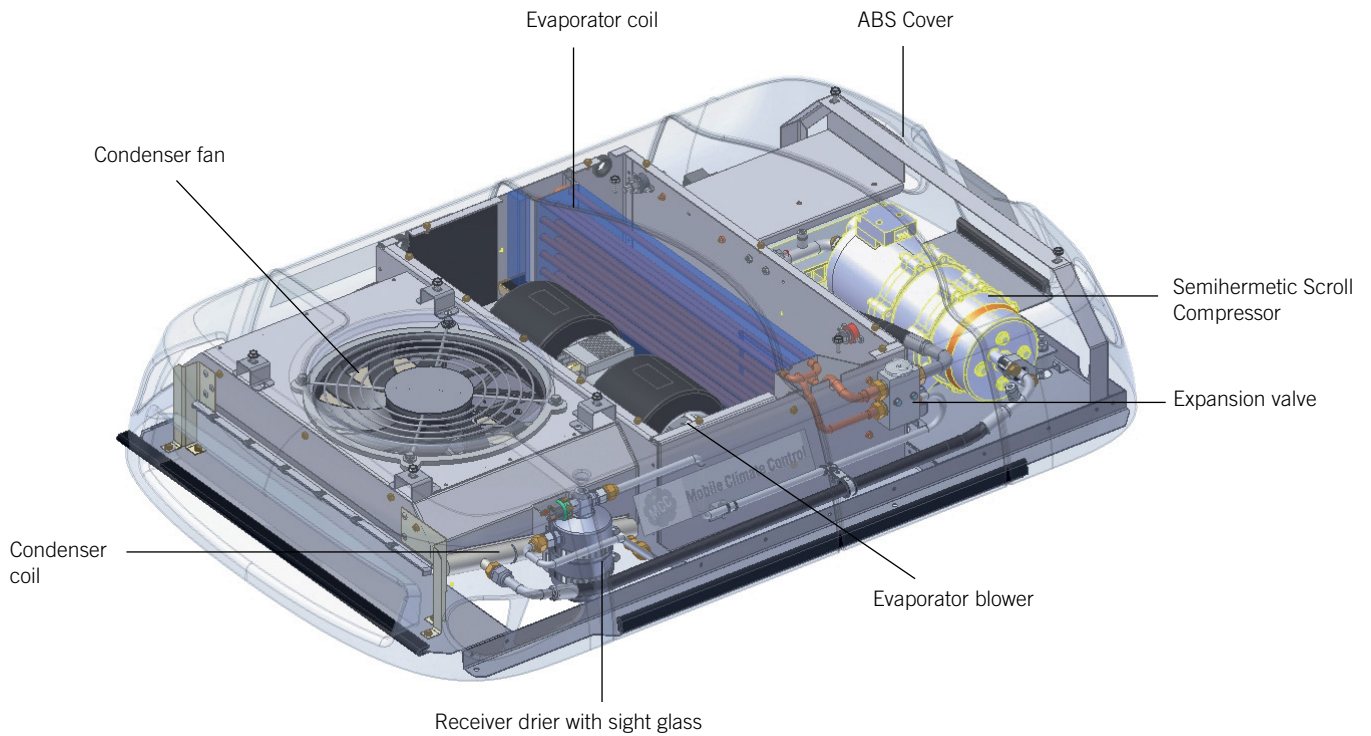
Main components:

- Evaporator and blower
- Condenser and fan

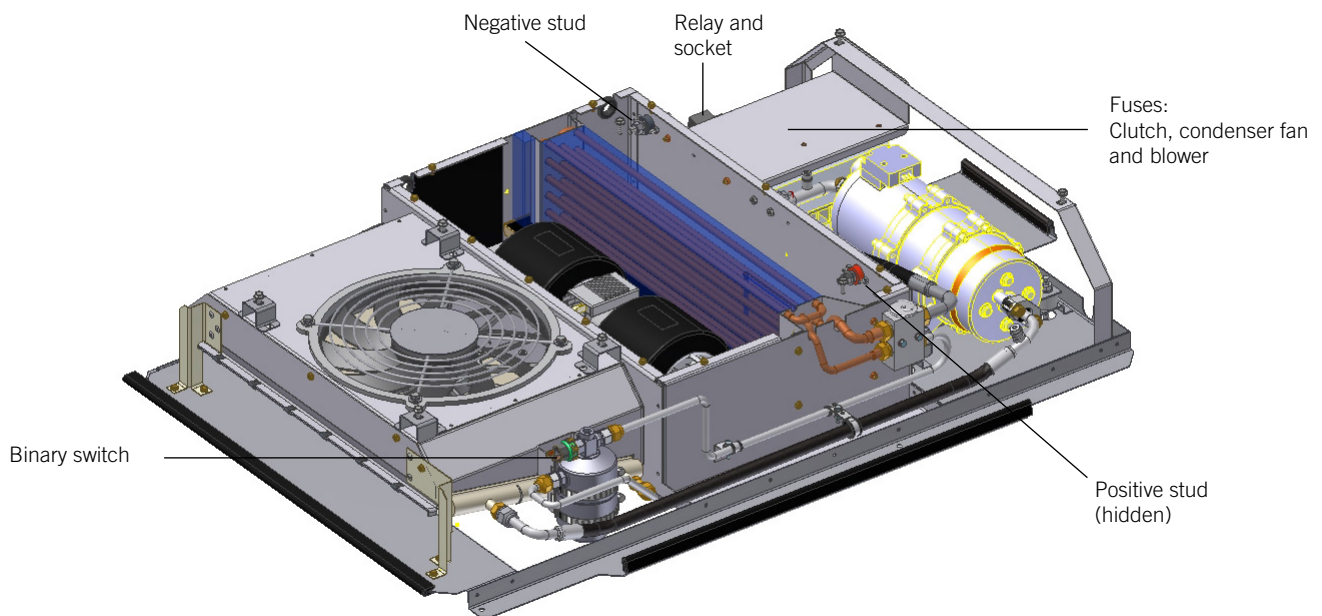


Overview of the components

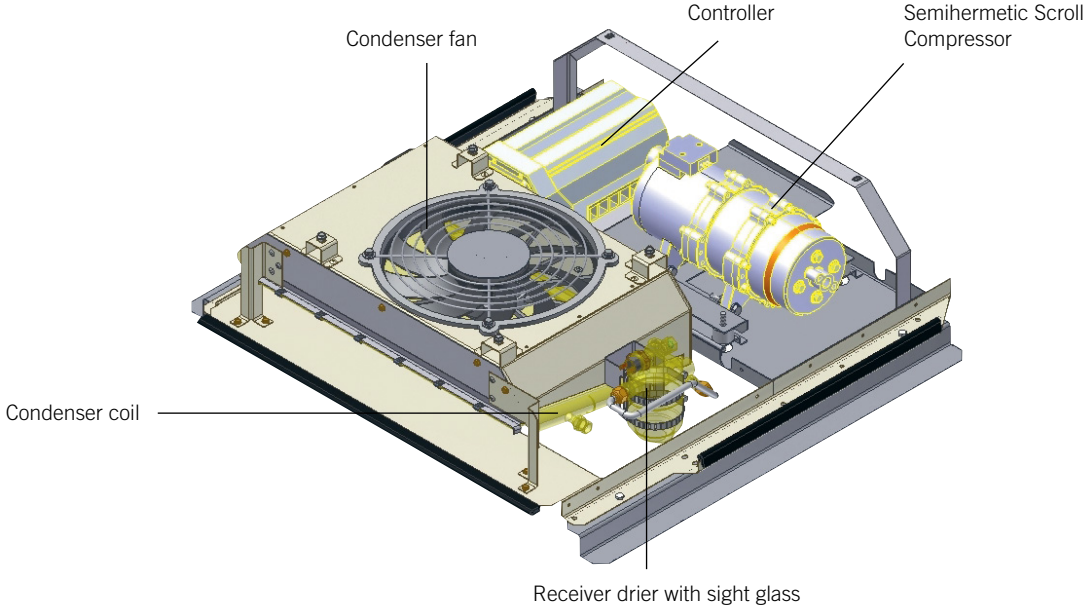
EcoFlex 4E: Major components



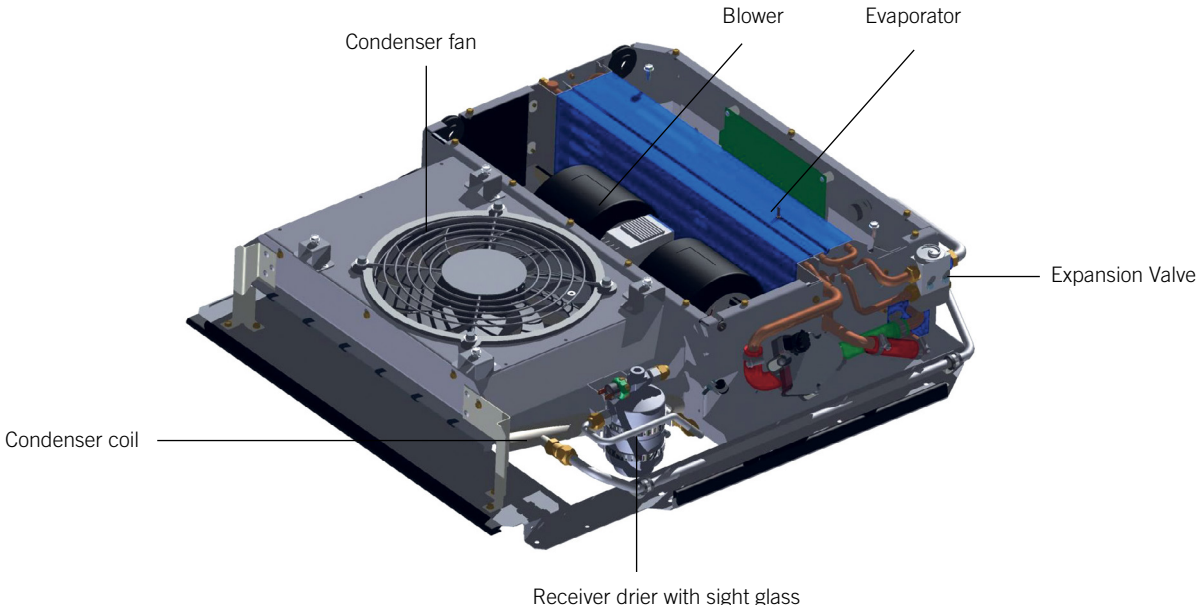
EcoFlex 4E: Electrical components (cover removed)



EcoFlex 4ES: Connections and major components (cover removed)

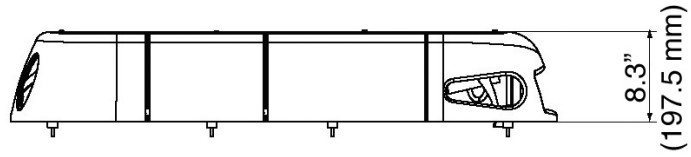


EcoFlex 6: Connections and major components

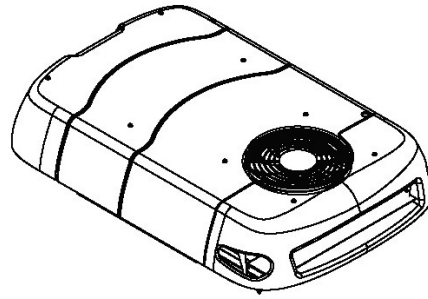
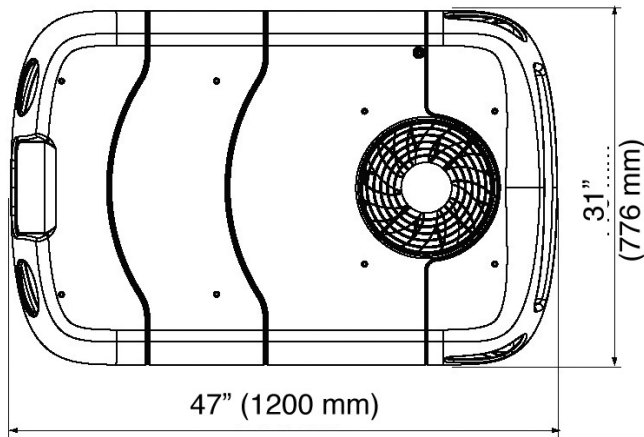


Dimensions

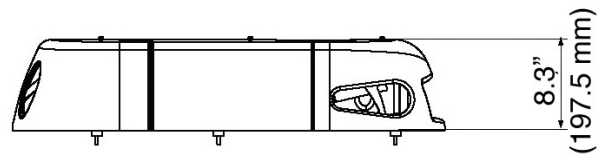
EcoFlex 4E



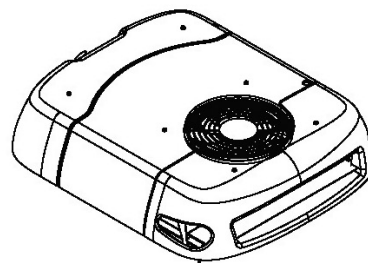
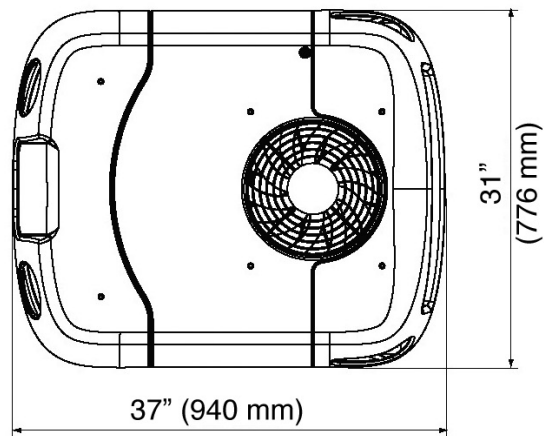
*Height without mounting feet



EcoFlex 4ES and EcoFlex 6



*Height without rail



Technical Data

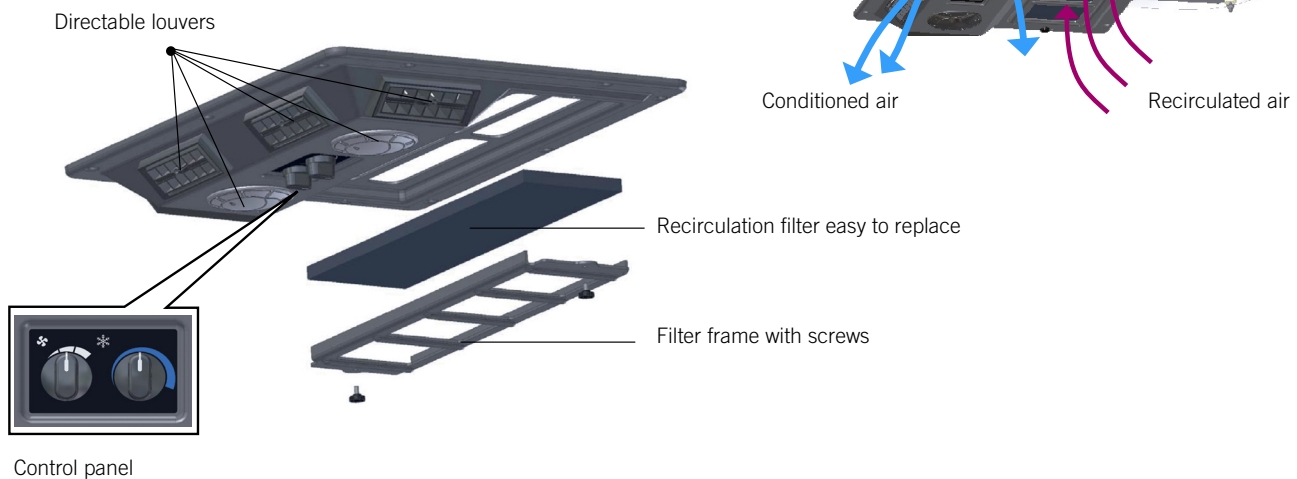
	EcoFlex 4E	EcoFlex 4ES	EcoFlex 6
Application	DC Powered AC	DC Powered AC	Conventional AC
Type	Complete AC System	Compressor/Condenser	Condenser/Evaporator
Compressor type	Scroll, Semihermetic	Scroll, Semihermetic	NA
Cooling capacity(ARI) ^[1]	11000 Btu/hr (3.2 kW) / for 12V 13000 Btu/hr (3.8 kW) / for 24V	11000 Btu/hr (3.2 kW) / for 12V 13000 Btu/hr (3.8 kW) / for 24V	Up to 20500 Btu/hr (6 kW)
Voltage	12/24 V	12/24 V	12/24 V
Heating capacity (low speed)	No	No	No
Fresh air (Yes/No)	No	Yes	No
Width	31" (776 mm)	31" (776 mm)	31" (776 mm)
Length	47" (1200 mm)	37" (940 mm)	37" (940 mm)
Height ^[2]	7.5 + 0.8" (190 + 20 mm)	7.5 + 0.8" (190 + 20 mm)	7.5 + 0.8" (190 + 20 mm)
Air flow (free)	350 CFM (600 m3/h)	Depends on application	350 CFM (600 m3/h)
Current consumption, max	65/70 A	60/65 A	11A@27V 22A@13.5V
Refrigerant charge	1.65 lbs (750 g)	Depends on application	Depends on application
Weight (total)	103.6 lbs (47 kg)	73 lbs (33 kg)	41.8 lbs (19 kg)

[1] ARI conditions: 95°F (35°C) / 80°F (27°C) / 50% RH

[2] 0.8" (20 mm), for Sprinter bus van rails

Optional Air Distributor

To complete your purchase, the EcoFlex 4E and EcoFlex 6 can be combined with the air distributor panel, mounted to the bus ceiling, consisting of recirculation inlets, recirculation filter, and directable louvers. Integrated or remote control panel options are available.



Every passenger deserves the best possible vehicle climate with MCC products

Our mission is to create climate comfort by providing exceptional performance

