



## Classic **EM-6**

The Classic EM-6 ceiling mount air-conditioning evaporator provides the market's best solution between price, performance and maintenance. It's well-known for ease of servicing and quick installation in commercial and school buses. With the

drain pan as part of the base system the Classic EM-6 can be installed, charged and tested before the cover is put in place. The easy removal of the cover makes all serviceable components accessible. This evaporator is available for non-ducted free blow applications.

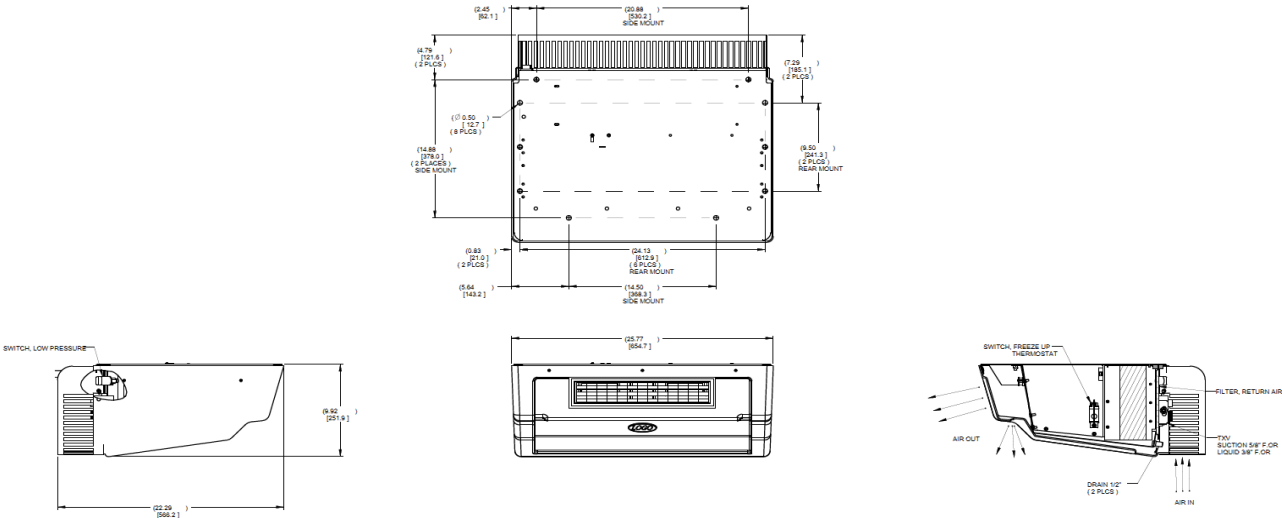


### Features

- Multi-speed, high-efficiency blowers
- Available for front or rear ceiling mount
- Heavy duty construction with galvanized steel frame and blower housing

### Benefits

- Maximum airflow on high speed
- Flexible to fit any application
- Strength and durability



**Technical Data**

Cooling capacity	30000 Btu/hr (7.6 kW) IMACA <sup>[1]</sup>
Heating capacity (Optional Feature)	30000 Btu/hr (7.6 kW)
Air flow	487 CFM (828 m <sup>3</sup> /hr) <sup>[2]</sup>
Max amperage requirement	16 A @ 13.5 V dc (High Speed) Voltage
Refrigerant	R134a
Length	25.77 (655 mm)
Width	22.29 (566 mm)
Height	9.92 (252 mm)
Weight	39 lbs (18 kg)
Condensate drain connection	5/8" (12.7 mm) O.D (dual drains)
Cover color:	Dove Gray

[1] IMACA conditions: 100°F (38°C) / 90°F (32°C) / 50% RH  
 [2] Airflow is tested at super high speed with cover and louvers fully installed, 0" static, 13.5 VDC

