

Description

Introduction

The UWE non return valve is to be used as an "insert valve", meaning that it shall be mounted inside a pipe. The purpose of the valve is to prevent major backflows of fluids in the reverse flow direction by means of a spring-loaded, the valve will however allow a small leak flow see spec below. It can be mounted in any direction and operates silently.



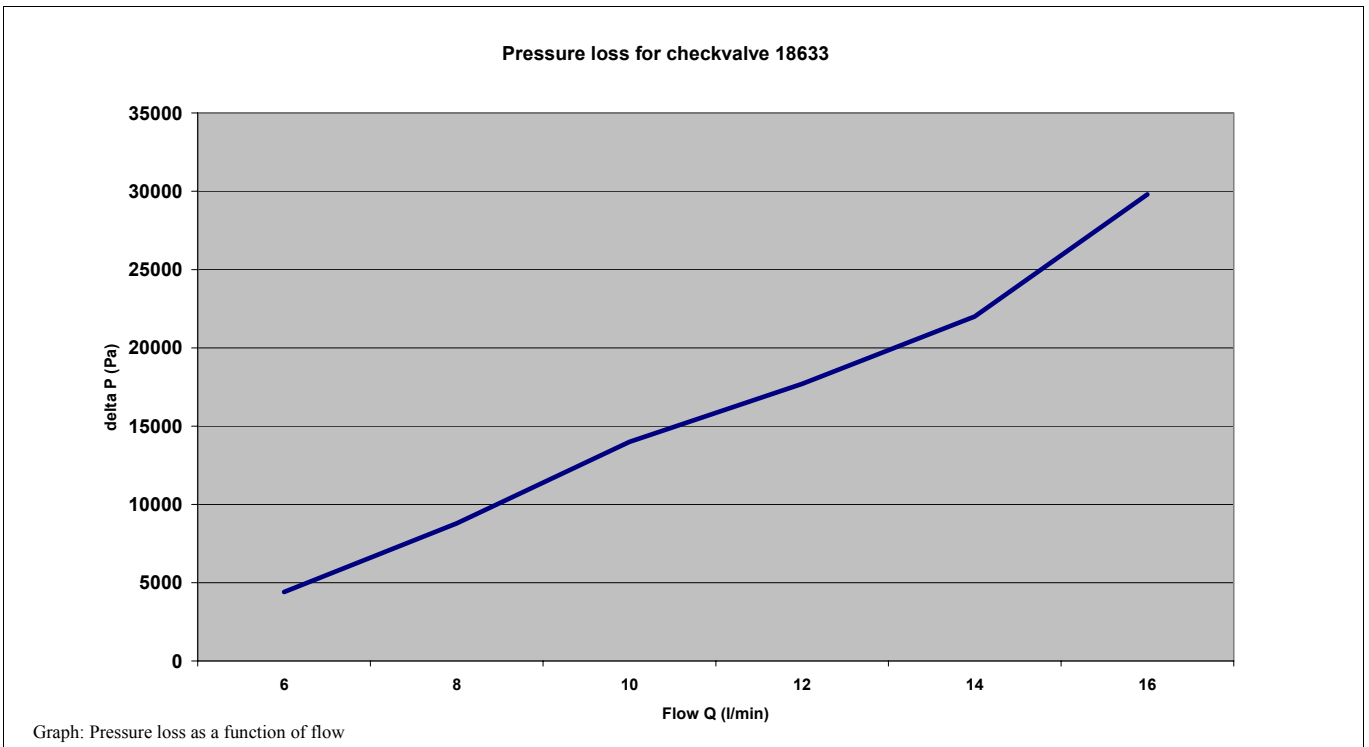
Figure: UWE Non return valve 18633

Technical data

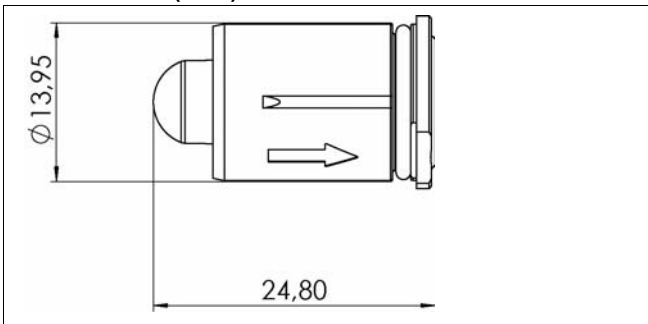
Specifications

Characteristics	Note	Value
Allowed fluids.		Water with 50% ethylenglycol.
Working temp.	Fluid temp	-30 to 100 °C
Operating pressure.	Max allowed pressure drop	0,35bar (18 l/min)
Opening pressure		0,01bar
Max backpressure	Short term <1min	10 bar
Leak flow	At 0,1bar backpressure	~0,1 cl/min
Pressure drop	Pressure as a function of flow	See graph below.
Installation	See installation instructions	Inside pipe Ø14 (=inside diameter)
Size	Length, Diameter mm	25xØ15mm
Water quality	Max particle size	Ø0,4mm

Pressure loss

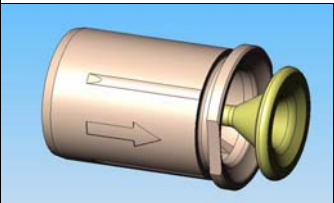


Dimensions (mm)



Product range

Description	Part number
Insert non return valve	18633



UWE Verken AB
 Box 262
 S-601 04 Norrköping, Sweden
 Phone +46 11 24 88 00
 Fax +46 11 12 47 04
 www.uwe.se

