



## Manual Operated Valve Regulation

# Take control of the heat flow!

The MCC Manual Operated valve puts you in control. For defroster and overhead heating units in buses and coaches, this valve allows you to adjust the flow rate through one or more heat exchangers, using manual wire control.

The assembly consists of a robust valve, which is either 2-way or 3-way (shunt), and a wire to enable transmission from the operating unit to the valve.

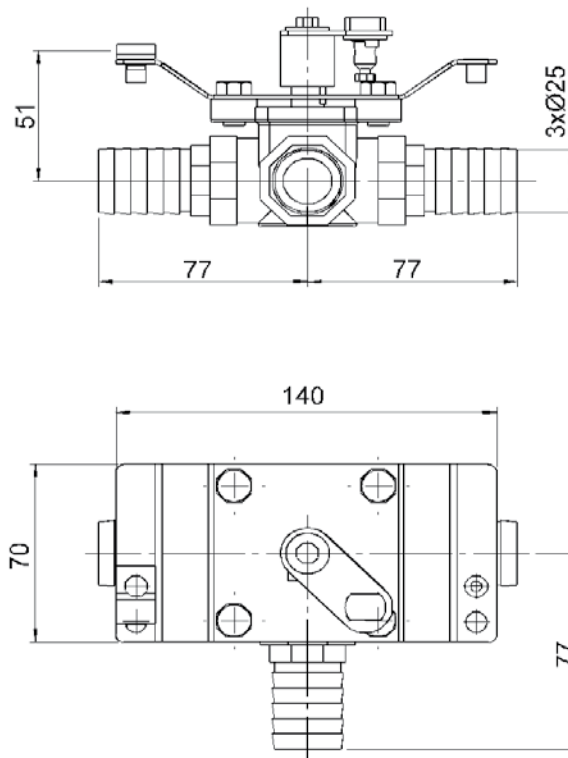


### Features

- Manual operated two- or three way valve for basic climate control
- Robust and simple
- Possible to choose hose connection  
Ø 22, 25, 28 mm
- Low flow resistance

# Manual Operated Valve Regulation

MCC Regulations



## Technical Data

Max operating pressure	10 bar
Max temperature	110°
Max differential pressure	200 kPa
Torque, maximum	3 Nm
Stroke	40 mm



## Mobile Climate Control

Europe: Tel: +46 176 207 800  
 North America: Tel: +1-905-482-2750  
[www.mcc-hvac.com](http://www.mcc-hvac.com)