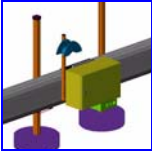

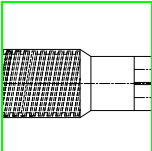



Stationary Bus Heating

Spare Parts Catalogue, Prd0292

Contents		Page
	Introduction	1
	Ramp Construction	2-5
	Connectors	6-9
	Hose Assemblies	10-12
	Accessories	13-17

Introduction

This spare parts catalogue only applies for the **UWE Stationary Bus Heating** standard ramp system. The list does not include all of the articles in the system, only the articles that are defined as frequent spare parts or as consumable goods. If there are articles that you wish to order but are not listed, then please contact UWE Verken for information.



**This document shall be viewed as a support when ordering spare parts.
Updating of information can occur after this document is received.
Therefore, check always with UWE when ordering. Contact us**

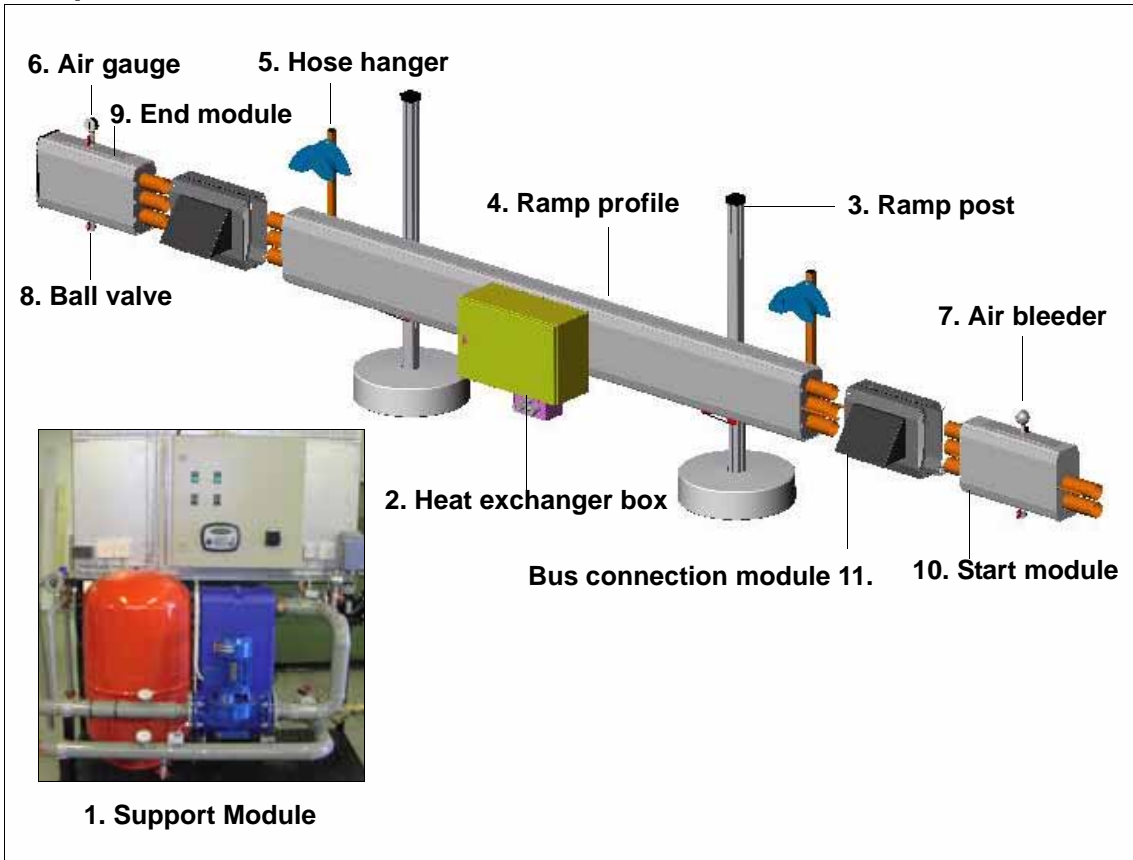
To order from UWE contact:

Order telephone	011-248800
Order fax	011-124704
Order e-mail	order@uwe.se

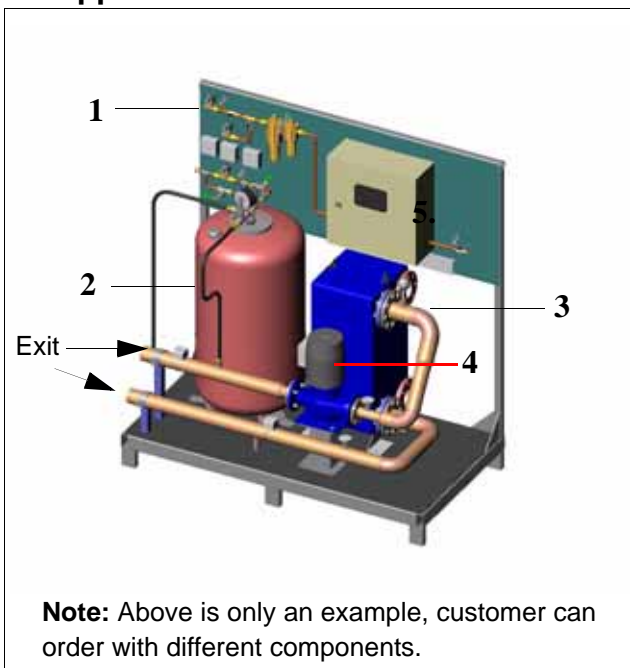


UWE Verken AB
Box 262
601 04 Norrköping
SWEDEN
www.uwe.se
info@uwe.se

Ramp overview

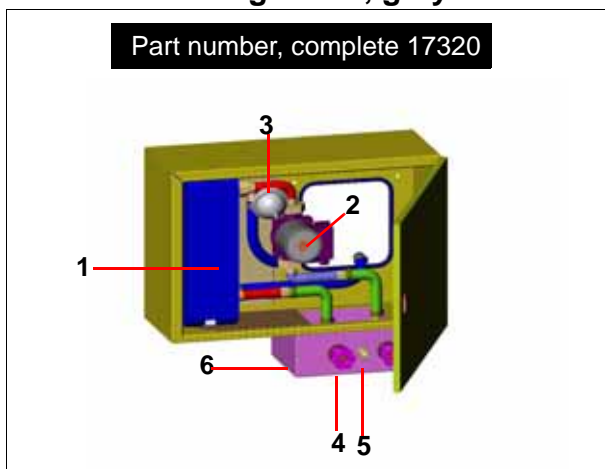


1. Support module



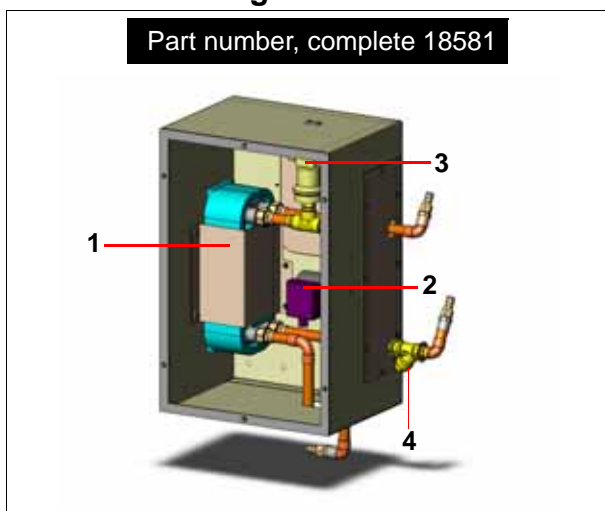
Item	Description	Part no	Comment
1	Module chassi (Ramp)	18084	
2	Expansion tank 200 liters	5530511	
3	Heat exchanger 200 liters	18352	
4	Pump	18055	
5	30 bus module	18212	left exit
6	60 bus module	18218	left exit

2a. Heat exchanger box, gray



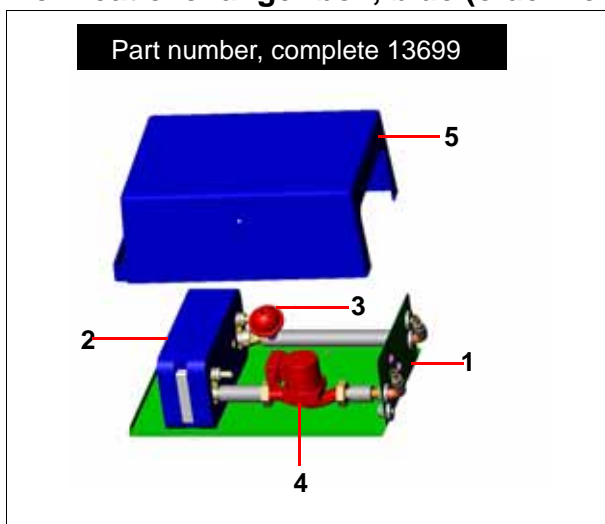
Item	Description	Part number
1	Heat exchanger P30	6957 9211 130
2	Circulation pump	17304
3	Hydrochock venting	6952 3111 160
4	Breakaway	See page 9
5	Air coupling	17412 (female) 17413 (male)
6	Breakaway box	17319

2b. Heat exchanger box



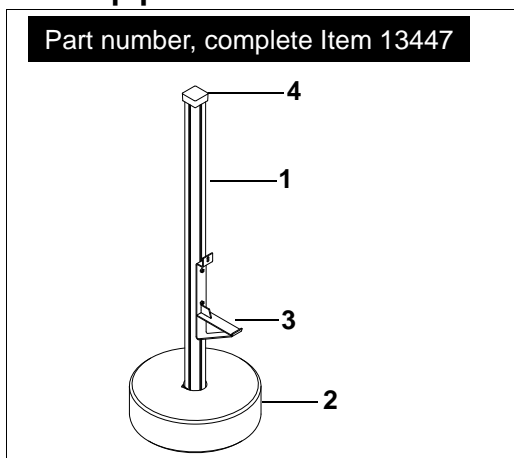
Item	Description	Part number
1	Heat exchanger P30	6957 9211 130
2	Circulation pump	17304
3	Air separator	484 55 37
4	Water filter 3/4"	6952 6111 120

2c. Heat exchanger box, blue (older version)



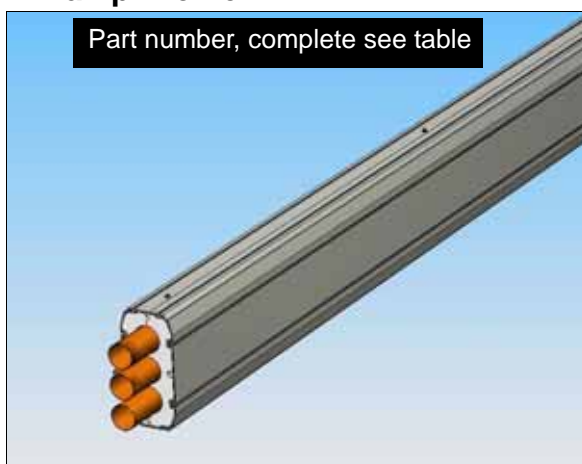
Item	Description	Part number
1	Heat exchanger chassis	10589
2	Insulation for heat exchanger P30	6957 9211 930
	Heat exchanger P30	6957 9211 130
3	Hydrochock Z 160 1/2"	6952 3111 160
4	Pump Nyl 43-25p	18227
5	Plastic cover	6921 5881 100
6	Rubber moulding L=185 mm	6921 6511 100 (not pictured)

3. Ramp post with cement base



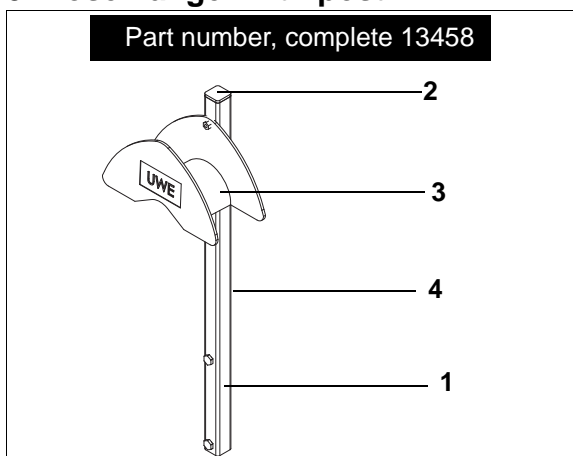
Item	Description	Part number
1	Ramp post	10906
2	Cement base	10120
3	Ramp attachment	10907
4	Plastic cover	6921 5481 600

4. Ramp Profile



Item	Description	Part number
1	3500mm	Single 17980 Double 17979
2	4000mm	Single 17982 Double 17981

5. Hose hanger with post



Item	Description	Part number
1	Post for hose hanger	11322
2	Plastic cover VL	6921 5812 035
3	Hose hanger	12147
4	Pipe aluminium L= 30mm	13697

6. Air guage

Part number, 6967 1111 106



7. Automatic air bleeder

Part number, 6952 5111 109



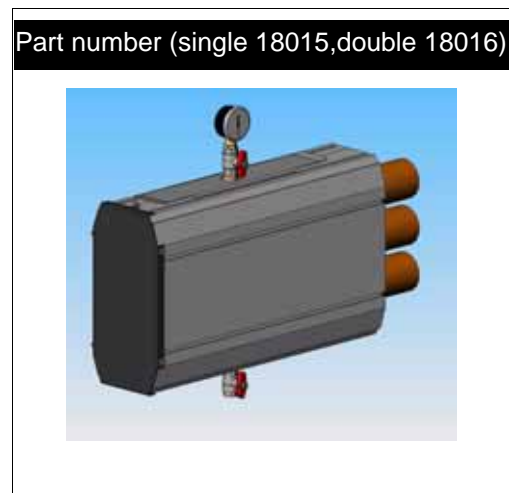
8. Ball valve

Part number, 6951 4411 112



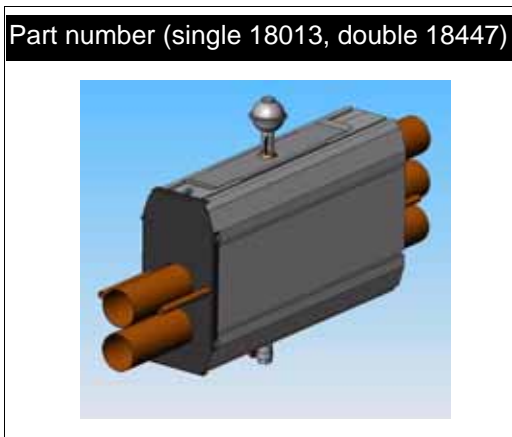
9. End module

Part number (single 18015, double 18016)



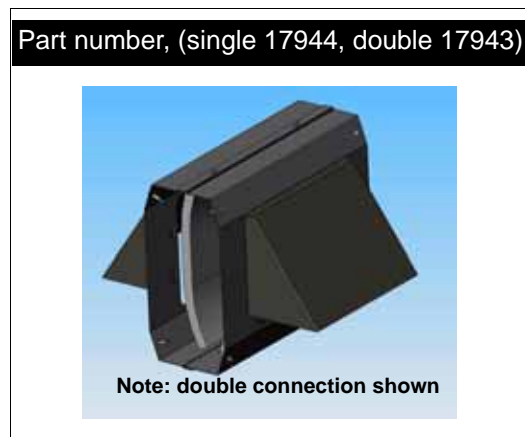
10. Start module

Part number (single 18013, double 18447)



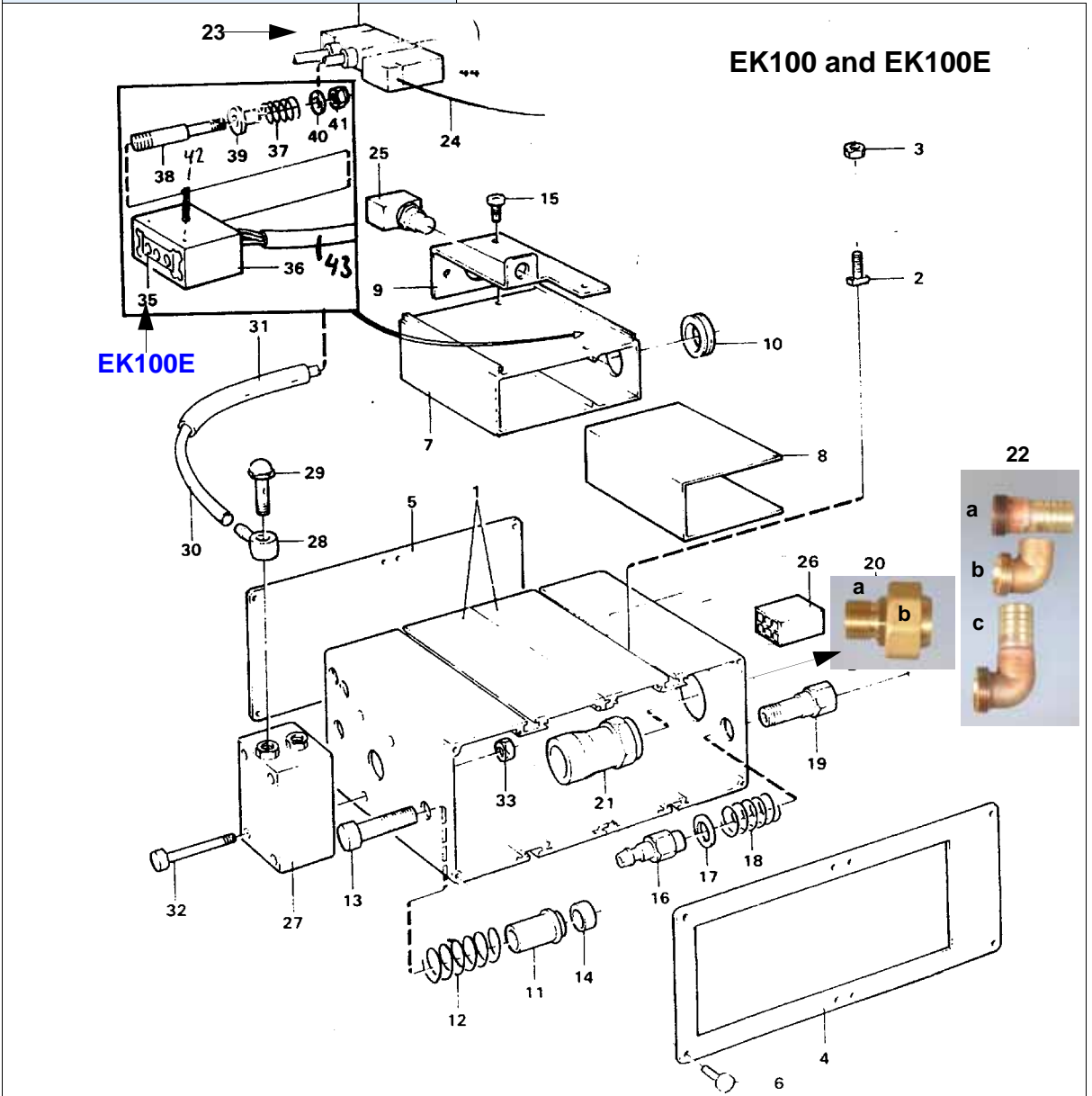
11. Bus connection module

Part number, (single 17944, double 17943)

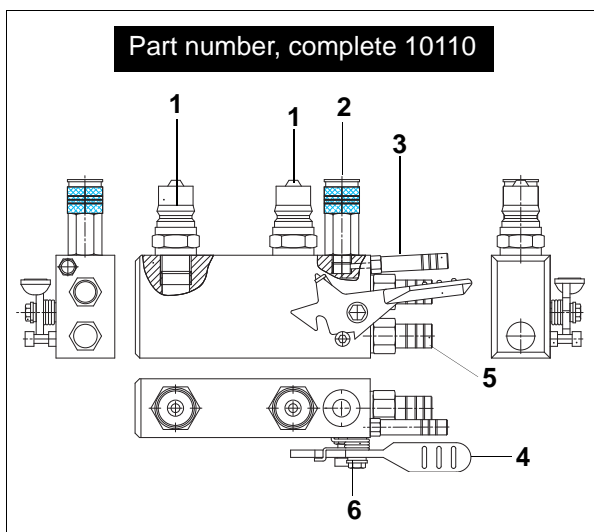


Equipment for connection to buses

EK100 and EK 100E (Ramp to bus)



EK connection block blue (Ramp to bus)



Item	Description	Part no.
1	Water coupling type Hansen male 1/2" with nipple	10112
2	Air coupling female with locking Dn. G8	10658
3	Hose nipple 3/8" x G 1/8" msg	10134
4	Thumb release	10646
5	Hose nipple v4260 A msg	10130
6	Torsion spring for EK-block	10685

Hansen coupling male (bus side)



Item	Description	Part number
1	O-ring 23 x 3.53 EPDM	6921 5246 310
2	Nipple for hose connection	6951 3301 112

Hansen coupling female (bus side)

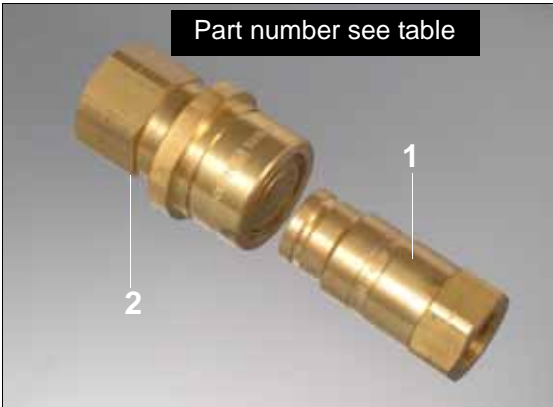


Item	Description	Part number
1	O-ring 23 x 3.53 EPDM	6921 5246 310
2	Nipple for hose connection	6951 3301 112

Hansen coupling

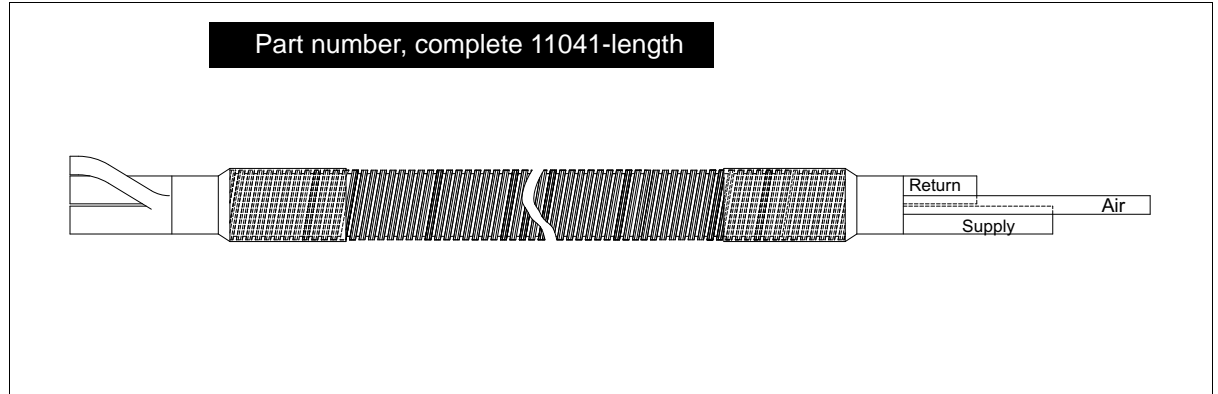


Drop free Break-away connection



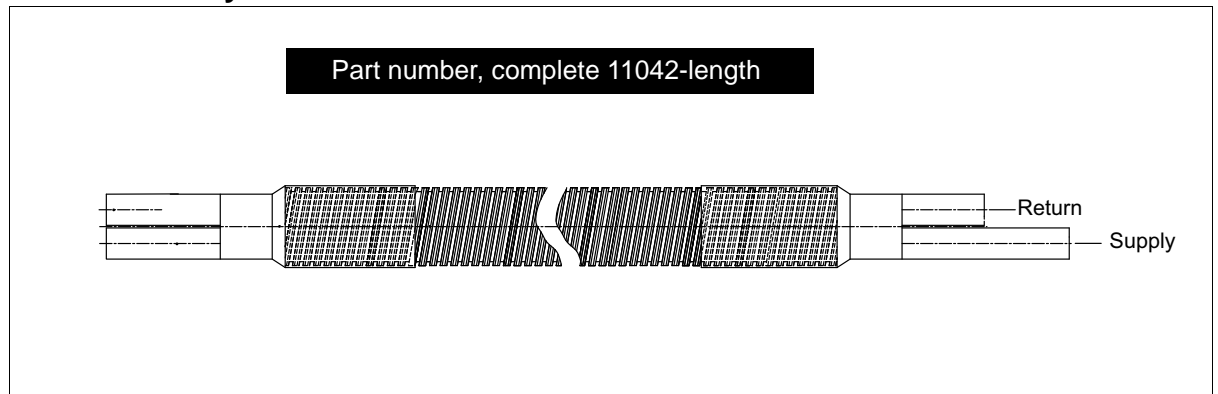
Item	Description	Part number
1	Male connector	18414
2	Female connector	18415

Hose assembly 11041



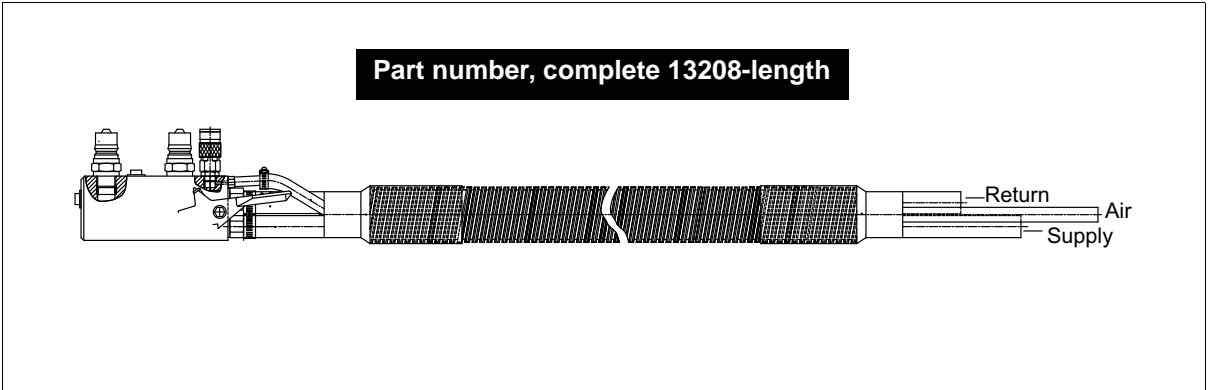
Item	Description	Part number	
-	Hose assembly length = 3000 mm	11041-3000	-
-	Hose assembly length = 3500 mm	11041-3500	-
-	Hose assembly length = 4000 mm	11041-4000	-
-	Hose assembly length = 5000 mm	11041-5000	-

Hose assembly 11042



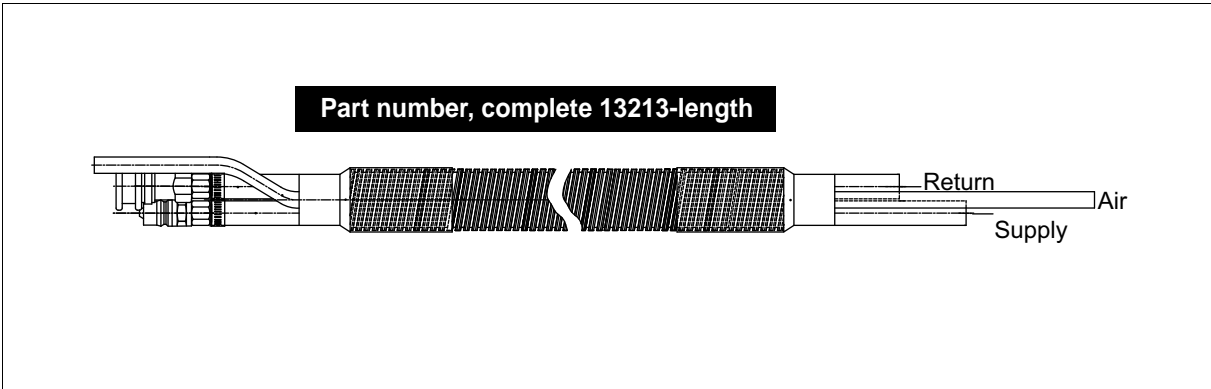
Item	Description	Part number	
-	Hose assembly length = 3000 mm	11042-3000	-
-	Hose assembly length = 3500 mm	11042-3500	-
-	Hose assembly length = 4000 mm	11042-4000	-
-	Hose assembly length = 5000 mm	11042-5000	-

Hose assembly 13208



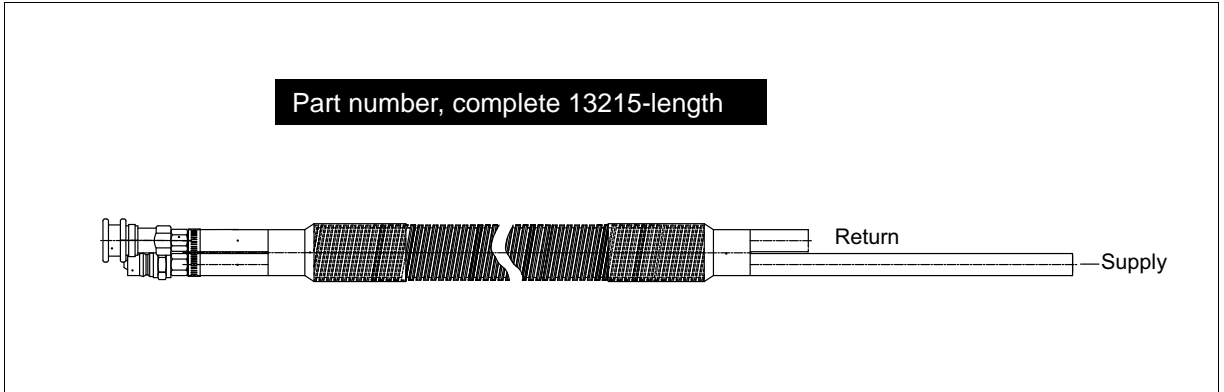
Item	Description	Part number	
-	Hose assembly length = 3500 mm	13208-3500	-
-	Hose assembly length = 4000 mm	13208-4000	-
-	Hose assembly length = 5000 mm	13208-5000	-

Hose assembly 13213



Item	Description	Part number	
-	Hose assembly length = 3000 mm	13213-3000	-
-	Hose assembly length = 3500 mm	13213-3500	-
-	Hose assembly length = 4000 mm	13213-4000	-
-	Hose assembly length = 5000 mm	13213-5000	-

Hose assembly 13215



Item	Description	Part number	
-	Hose assembly length = 3000 mm	13215-3000	-
-	Hose assembly length = 3500 mm	13215-3500	-
-	Hose assembly length = 4000 mm	13215-4000	-
-	Hose assembly length = 5000 mm	13215-5000	-

Brushless Mini Pump



Part number, complete 18432

Description	Part number
Brushless mini pump	18432

Heat exchanger P30



Part number, complete 6957 9211 130

Accessories

Description	Part number
Insolated container	6957 9211 930
	
Hose nipple 19 x G3/4" brass	6951 3432 118
For 19 mm bore hoses	

Battery Charger

Part number, complete see table



Description	Part number
Battery charger ABC 24V 20A	17149
Battery charger ABC 24V 30A	17150
Battery charger ABC 24V 50A	17151
Battery charger ABC 24V 60A	17152

Pressure regulator

Part number, complete 18315



Description	Part number
Pressure regulator	18315

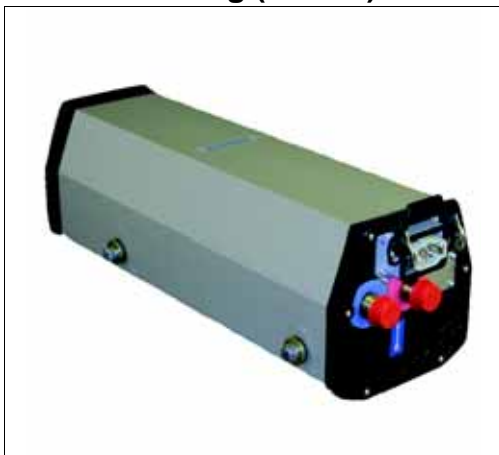
Air Connections



Description	Part number
Straight coupling	
Air coupling rapid straight 6/4 x 1/8" conical	6951 3831 060
Air coupling rapid shot passage 8/6-6/4	11593
T-coupling	
Air coupling rapid T 6/4 x 1/8" ext. cyl. swivel	11772
Air coupling rapid T 6/4 x 1/8" ext. conical	6951 3833 060
Angle coupling	
Air coupling rapid angle 6/4 x 1/8" ext. cyl. swivel	11774
Air coupling rapid angle 8/6 x 1/8" ext. cyl. swivel	11584
Air coupling rapid angle 8/6 x 1/4" ext. conical	6951 3832 081



Item	Description	Part number
1	Quick coupling (hose)	6951 3431 106
2	Quick coupling (female)	17413
3	Quick coupling (male)	17412

Electric Heating (Patron)**UWE Patron**

The UWE Patron is supplied with a 5-meter extension cable from the bus to the mains. When ordering, the length of the internal cable must be specified (this includes the instant coupling to the heater and mains connection, see accessories next page).

Name	Power	Voltage	Power cons.	Weight, kg	Water conn.	Part number
UWE Patron	9800 W	400V 3-phase	15 A	12.5	25 mm	17076
UWE Patron	9800 W (4900)*	400V 3-phase	15 A (7.5)	12.5	25 mm	17104
UWE Patron	7600 W	400V 3-phase	11 A	12.5	25 mm	17077
UWE Patron	6000 W (3000 W)*	400V 3-phase	10 A (5 A)	10.5	25 mm	17078
UWE Patron	6000 W (3000 W)*	230V 3-phase	15 A (8 A)	10.5	25 mm	17080
UWE Patron	3000 W (2000 W)*	230V 1-phase	14 A (10 A)	9	25 mm	17079

* power can be switched using knob on end

UWE Transport Immersion Heater

The UWE Transport Patron is supplied complete with a 5-metre extension cable.


Name	Power	Voltage	Power cons.	Water conn.	Part number
UWE Transport Patron	9800 W	400V 3-phase	15 A	16 mm	17082
UWE Transport Patron	7600 W	400V 3-phase	11 A	16 mm	17083

UWE Porto Immersion Heater

The UWE Porto Patron is supplied complete with a 5-metre extension cable.

Name	Power	Voltage	Power cons.	Water conn.	Part number
UWE Porto Patron	9800 W	400V 3-phase	15 A	16 mm	17084
UWE Porto Patron	7600 W	400V 3-phase	11 A	16 mm	17085

Accessories

Name	Part number.
Input cable in bus, 1 metre When ordering, the length must be specified, part nr 17081.	
UWE Patron input cable with cable contact, 5-pole 400 V	
UWE Patron input cable with cable contact, 7-pole 400 V	17106
UWE Patron input cable with cable contact, 4-pole 230 V 3-phase	17107
UWE Patron input cable with cable contact, 3-pole 230 V 1-phase	17108
Extension cabling (over 1 metre input cable)	
UWE Patron cabling by the metre	17109
Connection box with timer	
UWE Patron connection box with timer	17086

UWE Verken AB
Box 262
S-601 04 Norrköping, Sweden
Phone +46 11 24 88 00
Fax +46 11 12 47 04
www.uwe.se

