



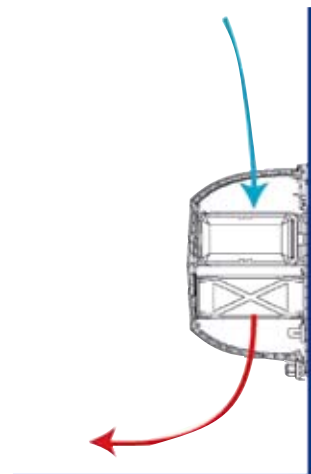
## Whisper 200 Heating Fan

# High performance heating where and when you want it

You can easily customize the Wall mounted Whisper 200 exactly according to your own requirements – and you can use it as part of the MCC heating system 200.

The Whisper 200 heating fan has been specially designed for wall mounting in large vehicles, such as buses and coaches. It consists of a heat exchanger with water connections, and 24V (or 12V) axial fans with high and low speed. The cover profile is very easily mounted with the help of slots in the wall profile.

The Whisper 200 comes in various configurations, with three, four or five fans and with right, left or through waterflow connections. This adaptable fan can be used as a stand-alone heating source or, for greater effect, in combination with convectors. The Whisper 200 is EMC-approved according to directive 72/245/EEG including revision 2006/28/EG.

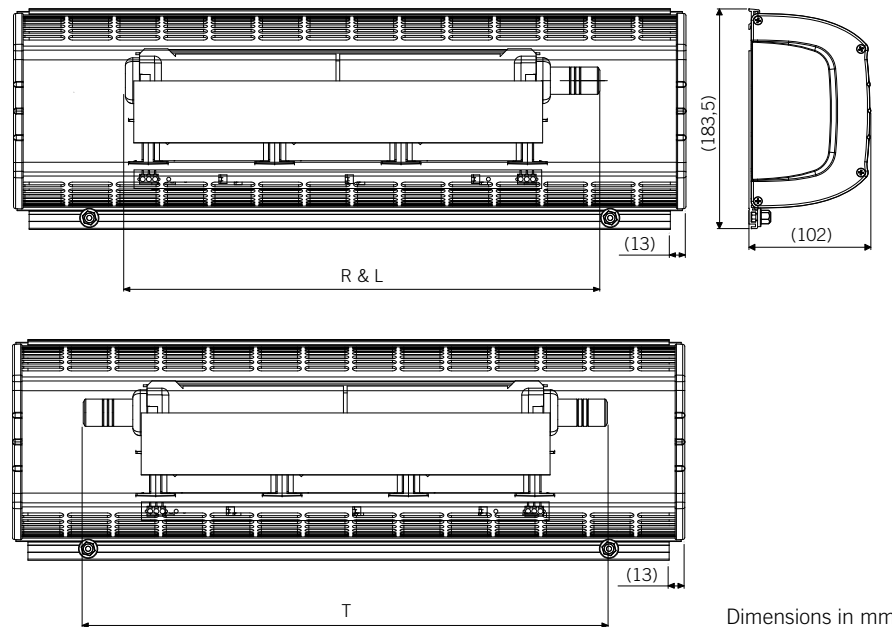


### Features

- Heat blower system for interior heating in buses with waterborne heating
- Even air distribution
- Flexible design allows several configurations
- Long life fans
- Low weight
- Two fan speeds

# Whisper 200 Heating Fan

MCC Heating Fans



## Technical Data

	Whisper 200 5 fans	Whisper 200 4 fans	Whisper 200 3 fans
Output at 28V, Q80 (kW)	4.7	3.9	2.8
Output at 28V, Q100 (kW)	5.9	4.9	3.5
Air flow at 28V (m <sup>3</sup> /h)	260	208	156
Heat exchanger water connection	Ø 16 or 22 mm	Ø 16 or 22 mm	Ø 16 or 22 mm
Voltage	12 or 24V	24V	12 or 24V
Depth	102 mm	102 mm	102 mm
Height	183.5 mm	183.5 mm	183.5 mm
Length	According to request, see Whisper 200 product configurator		
Cover sections	Anodised aluminium		
Colour	Natural		
<b>Variant</b>			
Right or left connection (R&L)	591 mm	487 mm	383 mm
Through water connection (T)	631 mm	527 mm	423 mm

\*) the Q value stands for the temperature difference between the water inlet temp and the air temp in the room where the heat exchanger is. For instance water inlet temp +80°C and air temp +20°C is known as Q60.



## Mobile Climate Control

Europe: Tel: +46 176 207 800  
 North America: Tel: +1-905-482-2750  
[www.mcc-hvac.com](http://www.mcc-hvac.com)