

Description

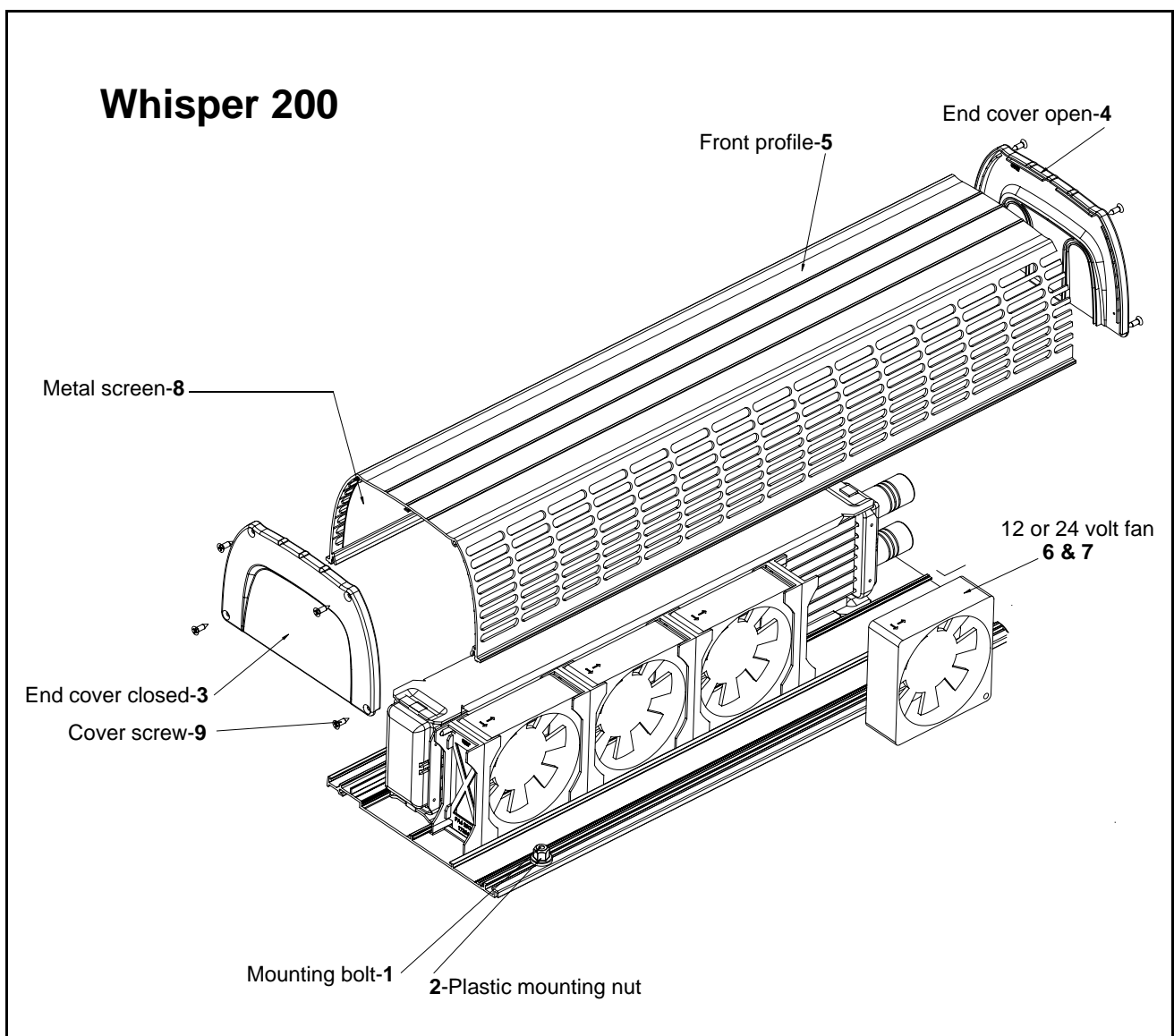
Introduction

This document is an overview of a Whisper 200 which identifies the spare parts that can be ordered. On page two you will find a list of information such as description and part number for ordering.

Please note that the list does not include all of the parts, but the parts defined as frequent spare parts and consumable supplies.

Note: If the circuit board or heat exchanger is damaged then an entire W200 unit must be ordered. When ordering refer to the information found on the labels that are on the product.

Spare Parts Overview



Whisper 200 Spare Parts Table

Number	Description	Illustration	Part number
1	Metal base mounting bolts M6S (M5x12)		13897 (bolts)
2	Plastic mounting nut M5 for front profile		17181 (nuts)
3	End cover-closed		16950-1 (Closed)
4	End cover-open		16950-2 (Open)
5	Front profile (cover)		17176 Note: must specify the length in mm.
6	Axial fan 12V (92x92x32)		17795 (12V fan)
7	Axial fan 24V (92x92x32)		17588 (24V fan)
8	Rustproof metal screen		17684 Note: must specify the length in mm.
9	Mounting screws for end covers DG 35x10 WN 1553		17774

UWE Verken AB
 Box 262
 S-601 04 Norrköping, Sweden
 Phone +46 11 24 88 00
 Fax +46 11 12 47 04
www.uwe.se

