

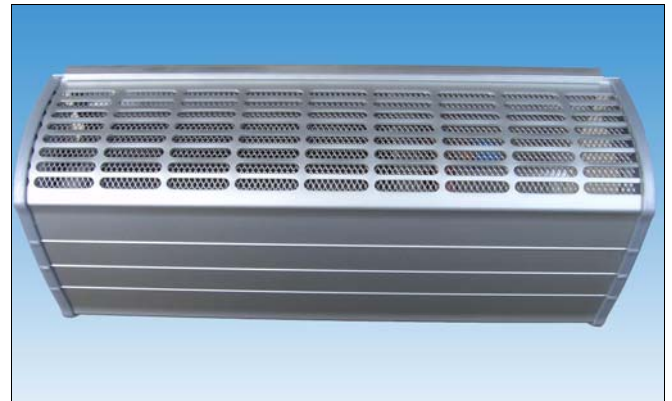
Introduction

- This instruction refers to the UWE product family Whisper 200 Heating Fan (W200).
- On receipt of the goods, remove all packaging material and check all items for transport damage.
- Check that the delivered goods correspond to the specifications of the delivery note.



Read the documentation before starting installation work.

The correct function and performance of the product are only guaranteed on condition that the instructions given in this document are strictly followed.



Further information

Product Information PRD0298
 Spare Parts Information PRD0321

Installation Instructions

- Preparation (tools & materials)
- Mounting (reference line)
- Electrical connections
- Hose connections

Preparation

Organize the necessary tools and materials, See Figures 1&2



Figure 1: Tools

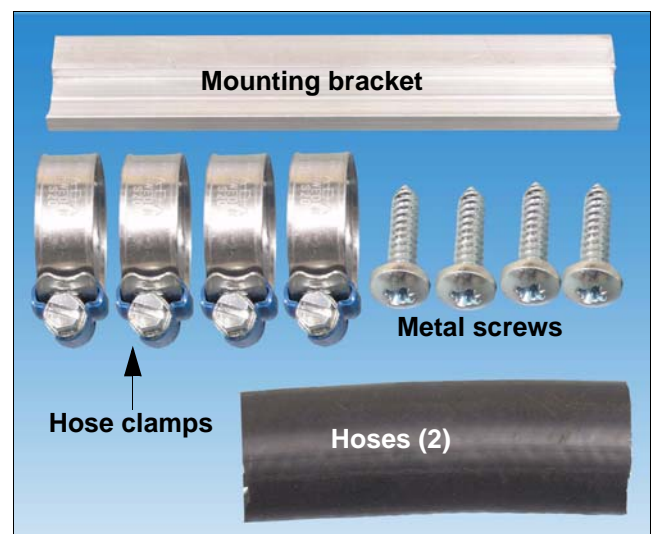


Figure 2: Materials

Mounting (reference line)

Draw reference lines, see Figure 3, on the wall for one of two mounting procedures a & b:

a. Bracket

First, draw a reference line 182mm high (recommended height), parallel to the floor. Mount the bracket using sheet metal or wood screws (if wood backing) with max 8mm round heads. Drill in the groove (drill guide) and mount with screws not more than 500mm apart.

Second, hang the W200 on the bracket then drill a hole in each bottom corner for mounting the two lower screws. This will hold the W200 to the wall

Note: It is recommended that the bottom of W200 shall be 30mm to 120mm from the floor. This will give a good air distribution.

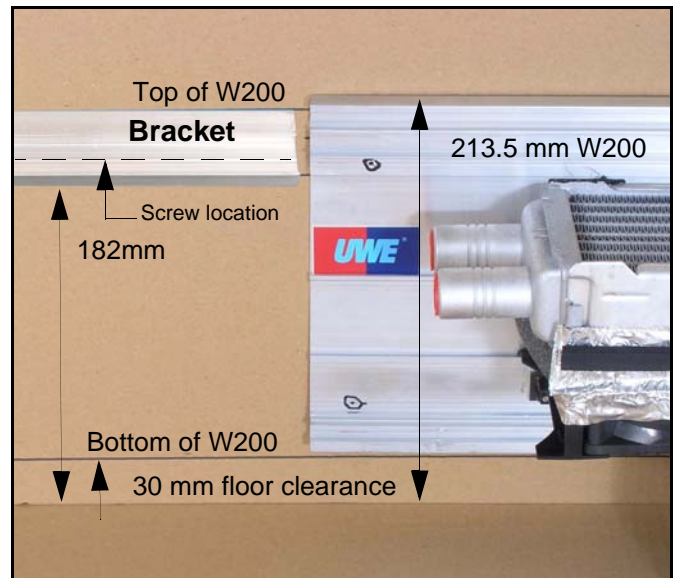


Figure 3: Reference line

Alternatives

b. Mounting without bracket

Draw a reference line 213.5mm high, parallel to the floor to show top of W200. Drill four holes slightly larger than the screws, one in each corner of the W200. Use the drill guide as marked, see Figure 4a. After drilling, hold the W200 against the wall and drill with a smaller drill or mark the guide holes for later drilling.

Note: Use metal or wood (if wood backing) screws with 8mm round heads so that they will fit in the channels of the aluminum profile. If so desired a plank 30mm up to max. 120mm can be used as a placement guide, see Figure 4b.



Figure 4b: Alternative marking method



Figure 4b: Drilling guide for mounting screws

Electrical Connections

The electric connections can be done in three ways:

1. direct to the front or back terminal, see Figure 4
2. using a standard UWE extension cable (P/N 17179) which puts the contact outside of the unit
3. special cable connections, on request from UWE.

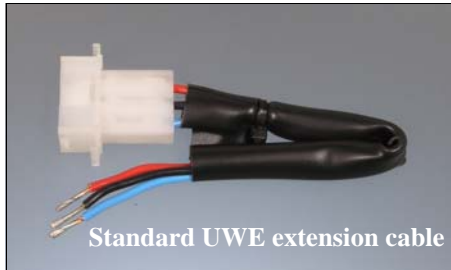


Figure 5a: Extension cable

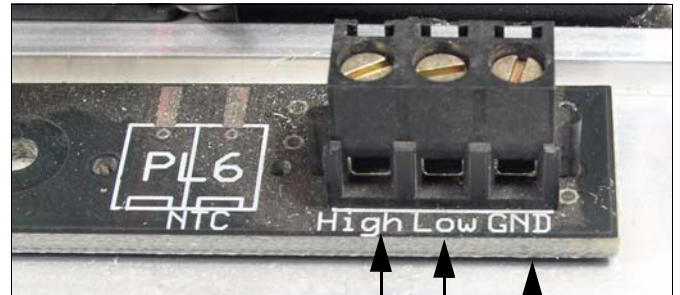


Figure 5: Terminal connection

High Speed	Red (High)
Low Speed	Blue (Low)
GND	Black (GND)

Hose Connections

Hose size is 22mm. It is important that the hoses are straight and without tension. Pre-formed hoses are available if needed, contact UWE.

Push the hose over the pipe so that the end is 0 to 10mm from the heat exchanger housing. Place the hose clamp over the middle groove, See Figure 7.

Note: Torque is 5 Nm or as the supplier indicates.

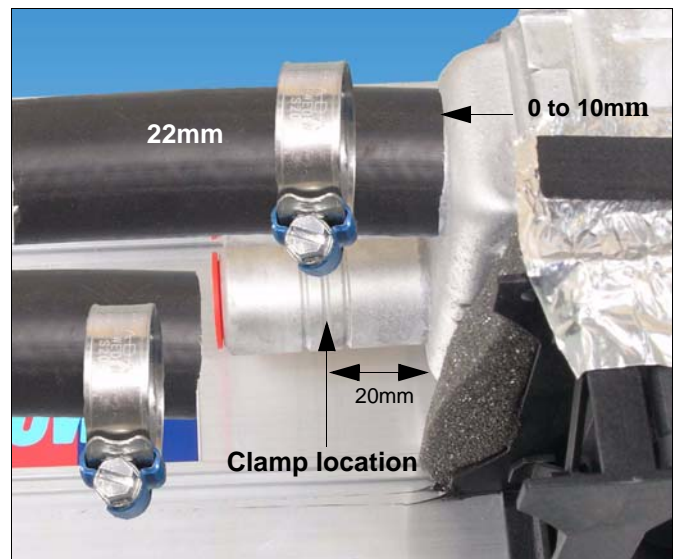


Figure 6: Hose connection

UWE Verken AB
 Box 262
 S-601 04 Norrköping, Sweden
 Phone +46 11 24 88 00
 Fax +46 11 12 47 04
 www.uwe.se

