

Description

Introduction

UWE compartment filters prevent pollutions from reaching the bus interior and they are especially designed and suited for UWE defrosters and roof units (TSV). When the air pressure drop across the filter has exceeded a certain level, the filter is to be disposed. Recommended change intervals must always be observed to obtain a comfortable interior climate with acceptable air speed.



Figure: Filter 17506

Technical data

Specifications

The filters meet the EU3 filter requirements and fullfills the following standards:

- VDV 234 *Driver's Workplace*
- VDV 236 *Air Conditioning of Line Service Buses*

Filter part no.	17506	17861
Filter type	Compartment air filter	
Filter media	Micro glass fibre paper, suitable for compartment air filtration	
Measurement	L=410 mm W=180 mm H=29 mm	L=336 mm W=155 mm H=20 mm

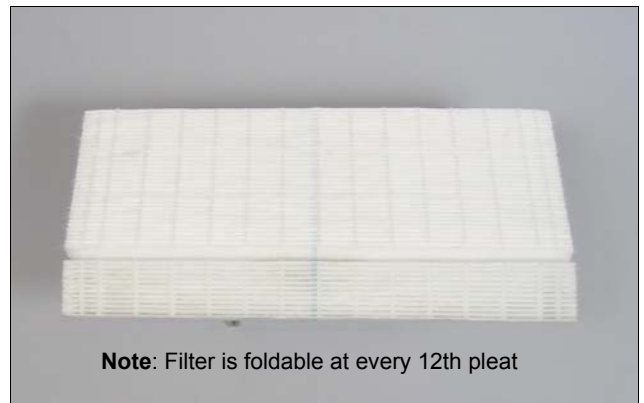
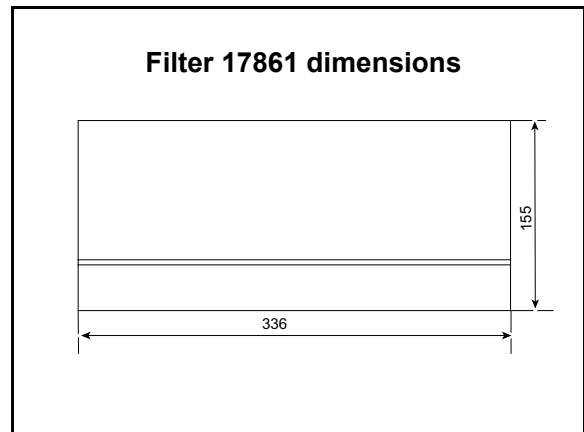
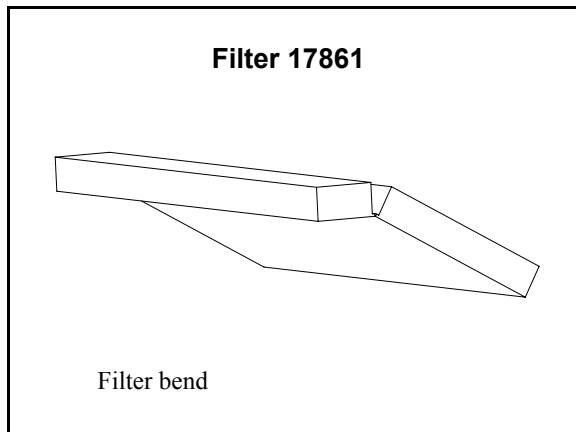
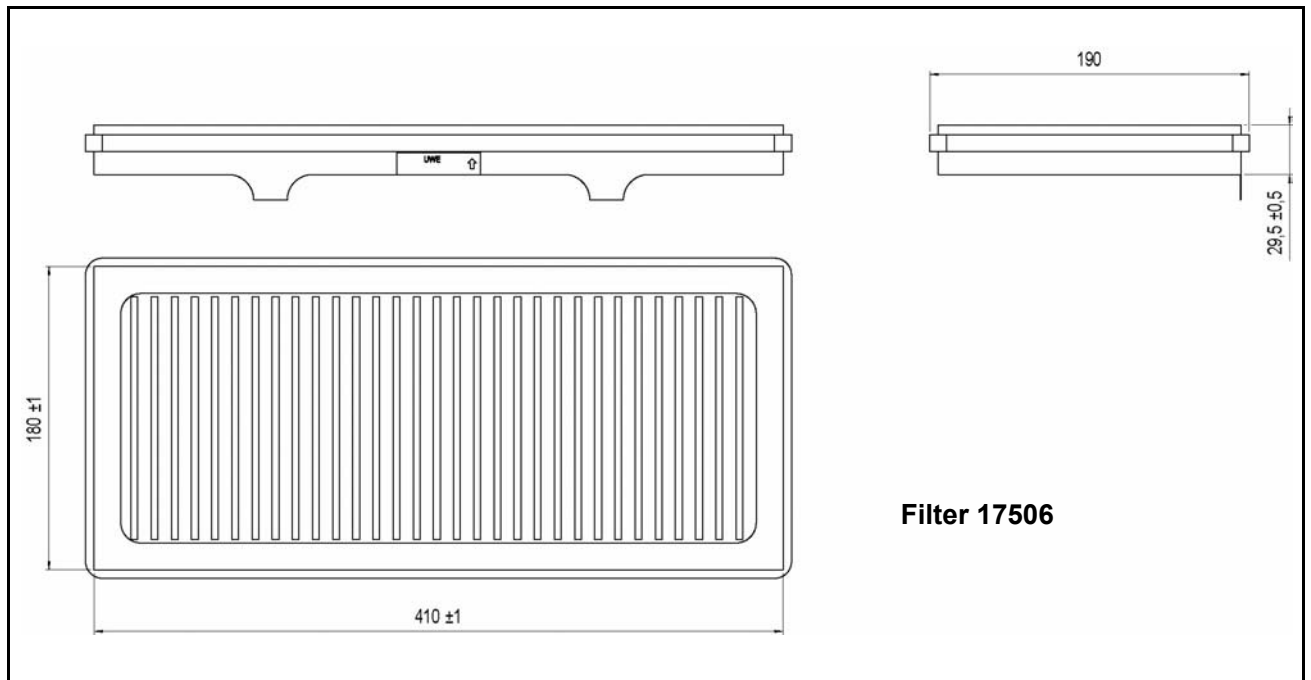


Figure: Filter 17861 (used for the TSV unit IOR200)

Comment: Filter 16618 (previous) is replaced by 17506 (new).

Dimensions (mm)



UWE Verken AB
Box 262
S-601 04 Norrköping, Sweden
Phone +46 11 24 88 00
Fax +46 11 12 47 04
www.uwe.se

