



Viper Mk1 Control Unit

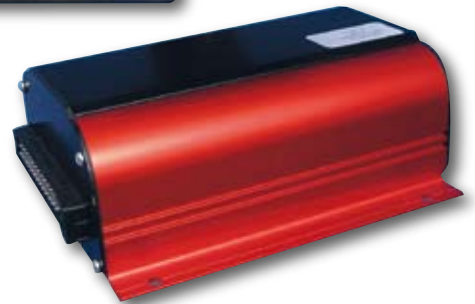
Climate comfort?

Let the Viper MK1 take control

With the MCC Viper Mk1 fully automated climate control system you can set the climate for each passenger zone. The Viper Mk1 controls all the climate components and regulates the air conditioning. One system – that takes care of everything.

Forget about heating circuits, AC, fans and flaps. Just preset temperature and let this intelligent control system do the rest. The system is easily adapted and can be combined with other electronic units to meet your exact requirements and applications. The Viper Mk1 regulates the following climate parameters or circuits to achieve a stable climate in your vehicle:

- Primary heating circuit (convectors and/or heating fans)
- Secondary heating circuit (TSV, roof unit)
- Cooling circuit (AC unit)
- Ventilation system (regulates fans and flap settings)

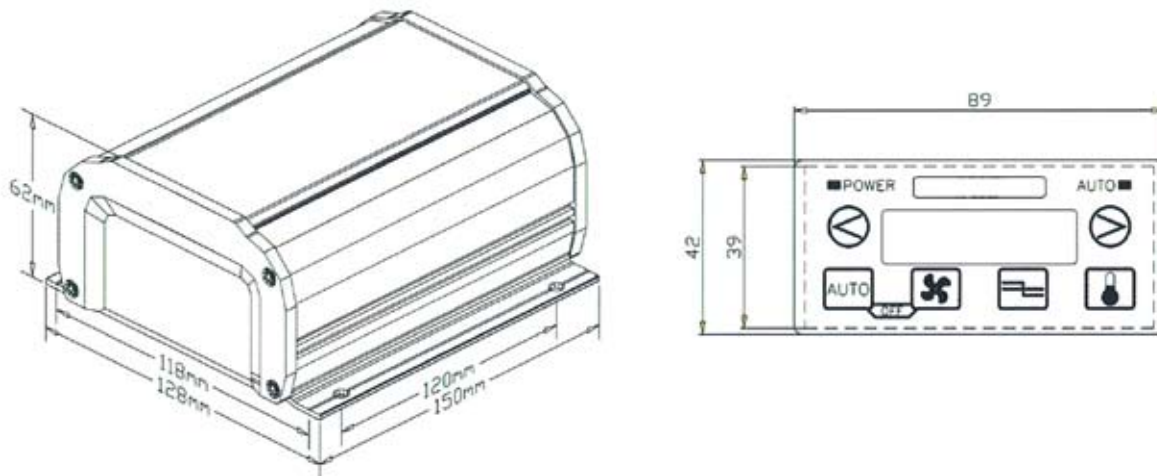


Features

- Fully automatic climate control for one climate zone
- Full air condition control
- Compact size
- Can be operated without display
- Compatible with Easy Term Quattro
- Includes test mode allowing climate system function checking without laptop

Viper Mk1 Control Unit

MCC Control Units



Technical Data

Depth	128 mm
Height	62 mm
Length	150 mm
Voltage	24 V
Safety class	IP 51
Sensors	3 sensors 4.7 NTC
Control unit connection	1 x 3 pin male connector F-F 6.3
	3 x push on F-F
Cable connection, control unit	1 x 16 pin och 1 x 25 pin
Material	Anodised aluminium casing
Display	
Depth	57 mm
Height	42 mm
Length	89 mm



Mobile Climate Control

Europe: Tel: +46 176 207 800

North America: Tel: +1-905-482-2750

www.mcc-hvac.com