



## Mini Vehicle Control (MVC) Control Unit

# Full control in one small unit

One very compact unit - the MVC is an all in one display, controller and diagnostic center for fully automatic control of all your climate components. With MCC Mini Vehicle Control, MVC, you just set the temperature and let the MVC do the rest. This unit is a programmable platform that can easily be customised and expanded to suit your requirements. It's simple to use with only one combined push-and-turn button to adjust all the settings.

With just one small MVC unit you can control the A/C unit, the heating circuit, the fans and flaps in one climate zone (for example the passenger compartment).

Not only is the MVC unit your first choice for compact control, this unit can be used for test running climate systems components. The MVC system can test run individual components of the climate system (test mode), directly via the display.

Like all the MCC units, the MVC is designed for easy installation in standard audio system frames.



### Features

- Fully automatic climate control for one climate zone
- Full A/C control
- Compact size
- Easy to use interface
- Test mode
- Smart fault handling thanks to safe mode
- Can be programmed to communicate with CAN bus

# Mini Vehicle Control (MVC) Control Unit

MCC Control Units

## Fully automatic mode



To set the temperature just turn the SET button until you reach desired temperature.

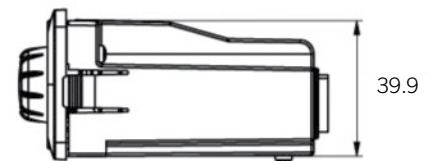
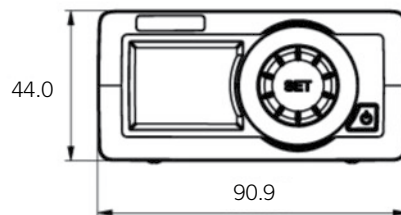
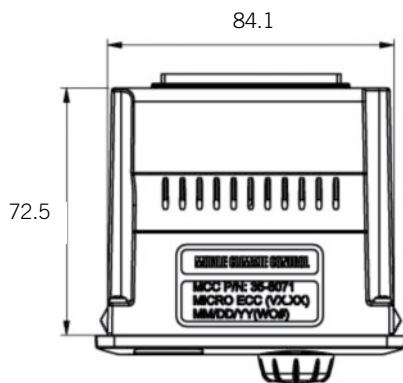
## Deviating from full automatic mode



To deviate from full automatic mode you can for instance set the fan speed manually. Just press the SET button...



...and the display above is shown. Now you can turn the SET button to desired fan speed setting. Observe that the other functions are still in automatic mode and regulate according to the SET temperature. More information can be found in "User instructions"!



Dimensions in mm

## Specifications

Operating Voltage	+9VDC to 32V DC
Operating Temperature	-40°C to 85 °C
Inputs	5 Digital and 9 Analog
Outputs	6 High side, 2 Bidirectional, 1 Analog and 2 PWM
Communication	RS-485 and CANBus (J1939)



## Mobile Climate Control

Europe: Tel: +46 176 207 800  
 North America: Tel: +1-905-482-2750  
[www.mcc-hvac.com](http://www.mcc-hvac.com)