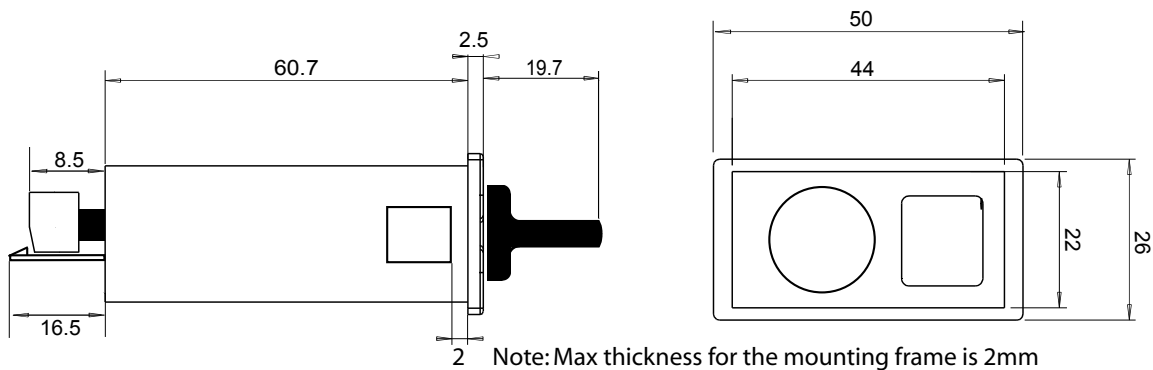


Easy Turn Control Unit

MCC Control Units



Dimensions in mm

Available variants (12/24V)

Variant	Temperature control	Floor temp. control	Fan speed control	Air flap control	Remark
Easy Therm 200 Defroster	●				Defroster air temp control appr. 7-80°C ¹
Easy Therm 200 Compartment	●				Compartment temperature control 18-26°C ¹
Easy Floor 200		●			Floor heat ctrl (for sleep. cabins/entrance step)
Easy Flap 200				●	Air flap control 0-100% ²
Easy Fan 200			●		Fan speed control in 10 steps from 0-100%
Easy Pot 200 Basic					Potentiometer 0-10kΩ with 11 steps

1) with temperature sensor installed
2) with position feedback



Mobile Climate Control

Europe: Tel: +46 176 207 800
North America: Tel: +1-905-482-2750
www.mcc-hvac.com



Easy Turn Control Unit

The smart units that give you total control

Compact, intelligent and competitively priced, the Easy Turn units give you complete control over your climate system. Each unit controls one climate component; choose the units you want for temperature regulation, mode flap regulation, airflow and any other functions.

The Easy Turn family lives up to its name - easy to install, easy to use, and at a price that's easy on your budget. These control units are designed for controlling climate systems in large vehicles and minibuses (12 & 24V) and are dimensioned for panel installation. They come complete with potentiometer, control unit, and input/output connections in a standard SWF box with back lighting. Recommended cutout size is 23 mm x 44 mm.

There is an Easy Turn for every control function.
Here are some examples:

- Passenger compartment temperature
- Defroster temperature
- Floor heating temperature
- Flap position regulation
- Fan speed regulation

Easy Turn potentiometers for connecting to other electronics are also available. The Easy Turn control units are all approved according to 72/245/EEG including revision 2006/28/EG.



Features

- Each unit controls a separate climate function
- For buses, minibuses and marine applications
- Compact dimensions, fitting in a standard SWF frame
- Can control air temperature, floor temperature, air flaps and fan speeds
- 12 & 24 VDC