

Description

Introduction

UWE Climate panel is especially designed to house all the buttons and knobs necessary to set the climate in a bus. It consists of potentiometers and switches, i.e. it does not contain control electronics but is intended to connect to control equipment.

The climate panel is available in four variants, all comes with car-stereo dimensions, which means that it can be mounted in a standard frame. The climate panel also has lighting and indication lamps for selected functions.

Construction

UWE Climate panel consists of a box with plastic cover that includes a variable number of potentiometers and switches. To control these there are an equivalent number of buttons and knobs.

The product contains light-emitting diodes which indicates selected function and works also as lighting. On the back there are outputs to control unit.

Further information

For further information, see the following document:

Installation Information PRD0260



Figure 1: UWE Climate panel

Function diagram

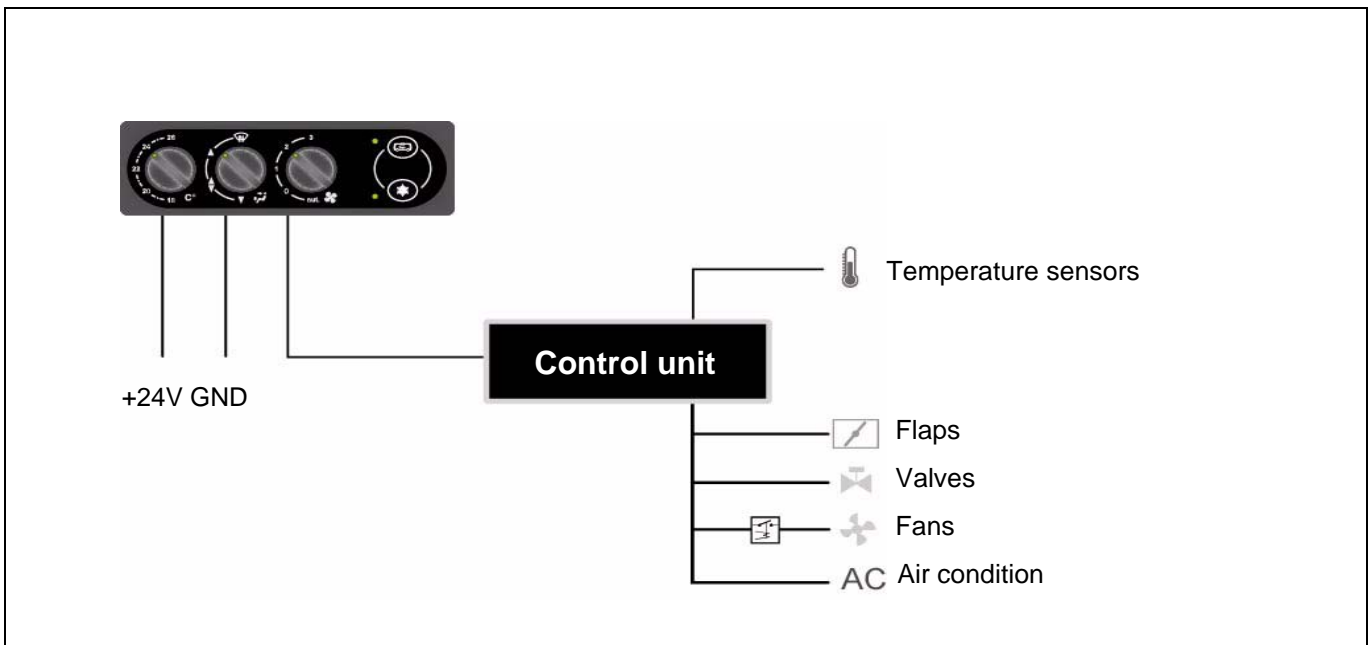


Figure 2: Simplified function diagram for climate panel

Possible settings on the four climate panel variants

Depending on how many climate parameters you like to control there are four variants of the climate panel (part.nr 16254, 16255, 16258, 16360). With the four variants you can control the following parameters (the numbers apply to figure below):

No.	Function	Description	16254	16255	16258	16360
1	Drivers place temperature	With this knob you can set desired drivers place tempearture from 18 to 26°C	●	●	●	●
2	Air distribution wind-screen/floor	Used to select the air distribution for drivers place: Deicing mode ——— Windscreen ——— Driver/Floor ——— Floor ———	●	●	●	●
3	Defroster fan speed	Used to select the defroster fan speed according to following: "aut" the fan speed is automatically selected "0" fan is turned off "1-3" fan speed set manually from low (1) to high speed (3)	●	●	●	●
4a	Recirculation	With this button you activate recirculation mode which means that all fresh air intakes will close. With recirculation selected, mode lamp 4b lights.	●	●	●	●
5a	Air conditioning (AC)	With this button you choose air conditioning ON or OFF . With AC selected, mode lamp 5b lights.	●		●	
6	Passenger compartment temperature	With this knob you can set desired passenger compartment temperature from 18 to 26°C			●	●

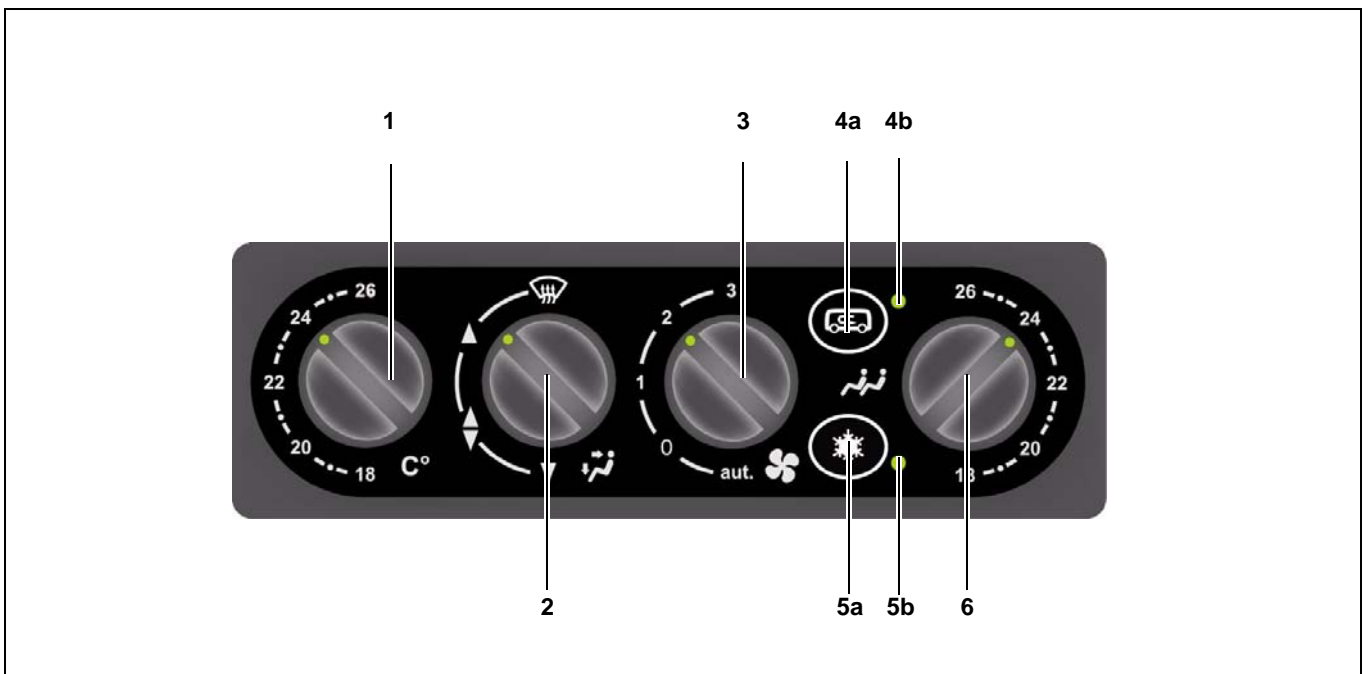


Figure: Climate panel 16258 shown

Technical data

Temperature range

Storage	-40°C till +65°C
Operating	-40°C till +50°C

Connections

Socket housing on the unit:	18-poles AMP 966 140 - 1
Suitable socket housing:	18-poles AMP 1-967 624 - 1

Weight

Climate panel	appr. 250 g
---------------	-------------

Material

Cover	ABS/PS Byblend T85
Front	ABS/PS Byblend T85
Knobs	ABS/PS Byblend T85
Knob light	PC Makrolon 2405
Foil carrier	PC Makrolon 2405
Spring for knob	POM

Electrical data

Potentiometer

Rated dissipation @40°C	0,2W
Operating voltage	28VDC
Max voltage	42 VDC
Control position tolerance	3%
Resistance law	Linear A
Linearity tolerance	<4%

Lighting

Normal current consumption	30mA/28,8VDC
Maximal current consumption	50mA/42 VDC (5min)

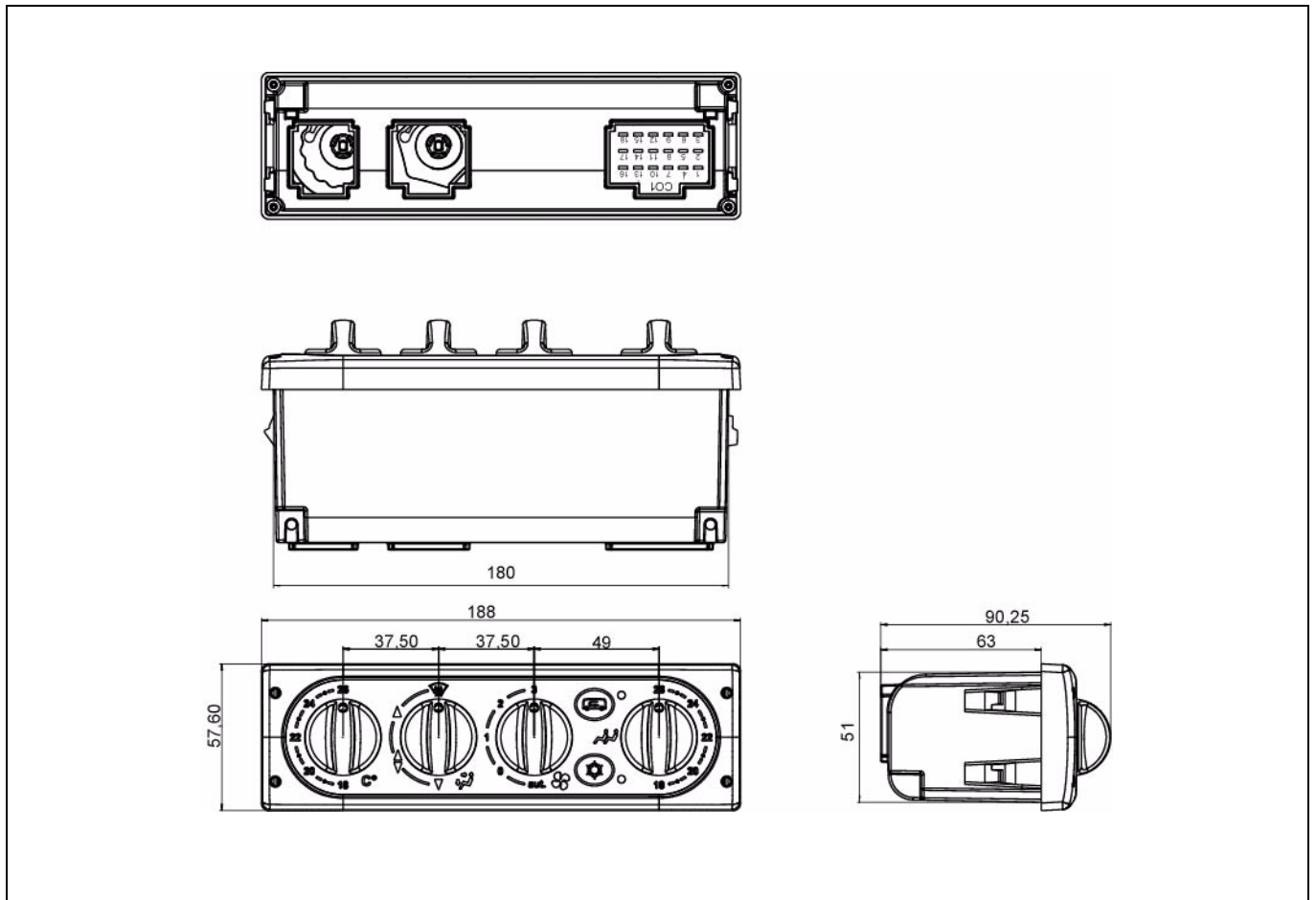
Indicator lamps

Normal current consumption	2 x 10mA/28,8VDC
Maximal current consumption	2 x 15 mA/42 VDC (5min)


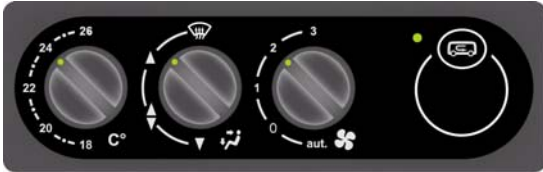
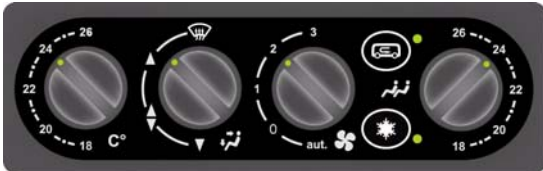

Recirculation- and AC switches

Type	Normal open
Maximum circuit rating	35VDC / 100 mA / 1W
Contact resistance	10 - 500 Ohm
Insulation resistance	100 M Ohm @ 100V
Diametric withstand	250 V Rms (50-60 Hz 1 min)
Contact bounce	< 5 ms
Life expectancy	appr. 200000 enclosures

Dimensions (mm)



Product range

Component	Functions	UWE Part Nr.
Climate panel type CPAN-ANA-1826-FL4-F7AOFF-AC-R 	Potentiometer function 3 knobs: - drivers place temp 18-26°C - air distribution 4 positions - fan speed aut.-0-1-2-3 with 9 positions 2 buttons: - recirculation - AC	16254
Climate panel type CPAN-ANA-1826-FL4-F7AOFF-R 	Potentiometer function 3 knobs: - drivers place temp 18-26°C - air distribution 4 positions - fan speed aut.-0-1-2-3 with 9 positions Button: - recirculation	16255
Climate panel type CPAN-ANA-1826-FL4-F7AOFF-1826-AC-R 	Potentiometer function 4 knobs: - drivers place temp 18-26°C - air distribution 4 positions - fan speed aut.-0-1-2-3 with 9 positions - passenger compartment temp 18-26°C 2 buttons: - recirculation - AC	16258
Climate panel type CPAN-ANA-1826-FL4-F7AOFF-1826-R 	Potentiometer function 4 knobs: - drivers place temp 18-26°C - air distribution 4 positions - fan speed aut.-0-1-2-3 with 9 positions - passenger compartment temp 18-26°C Button: - recirculation	16360

UWE Verken AB
 Box 262
 S-601 04 Norrköping, Sweden
 Phone +46 11 24 88 00
 Fax +46 11 12 47 04
 www.uwe.se

