



# Installation Instructions

## UWE Climate panel

Prd0260E01en

### Introduction

- This instruction sheet concerns UWE Climate panel only.
- On receipt of the goods, remove all packaging material and check all the items for transport damage.
- Check that the delivered goods correspond to the specifications of the delivery note.



Before starting installation work, read the documentation accompanying the product.

### Suitable mounting place

The climate panel shall preferably be placed so that the driver doesn't need to move to reach the buttons and knobs.

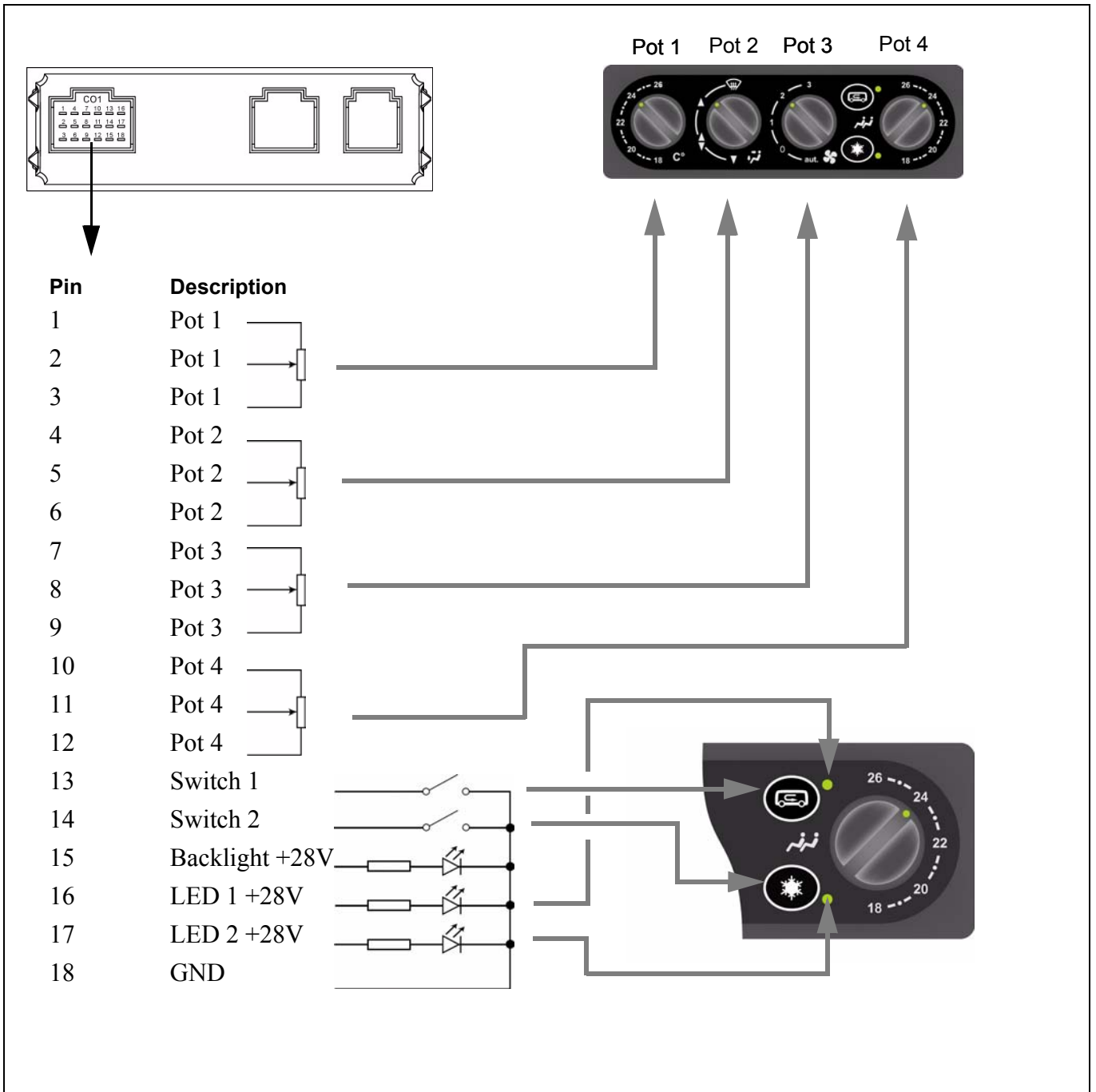


The climate panel must be mounted in a place protected from water.

### Further information

Technical data concerning the climate panel can be found in the product information Prd0259.

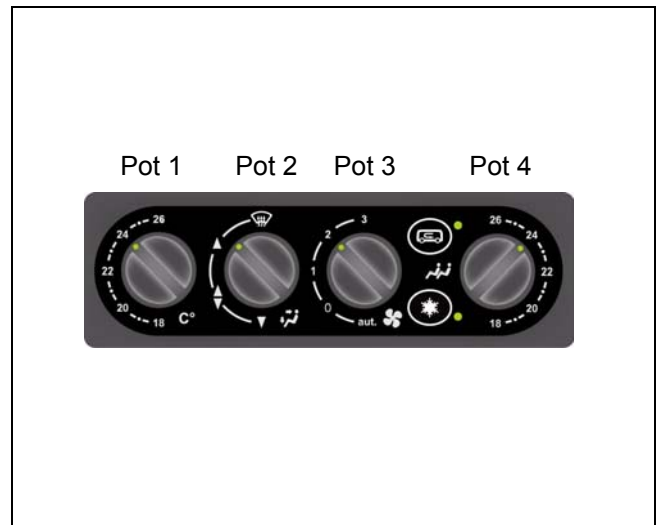
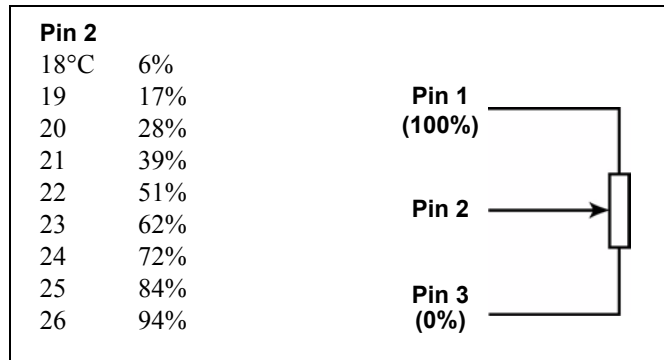
## Connecting up the climate panel



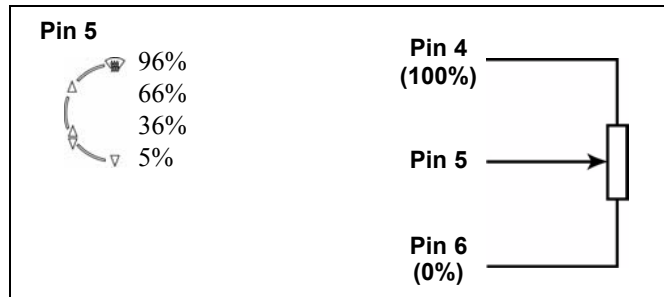
## Output signals at different settings

The list below shows the output signal (%) at a certain setting

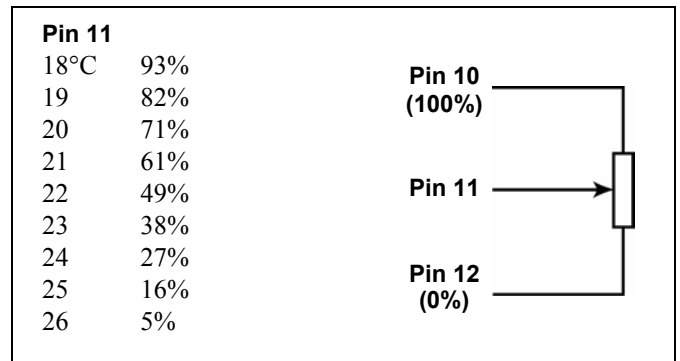
### Pot 1



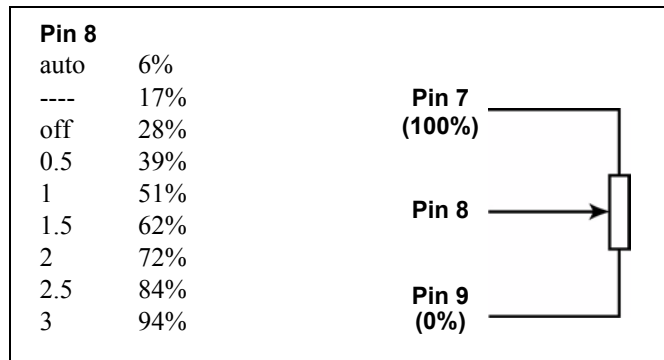
### Pot 2



### Pot 4



### Pot 3



UWE Verken AB  
 Box 262  
 S-601 04 Norrköping, Sweden  
 Phone +46 11 24 88 00  
 Fax +46 11 12 47 04  
 www.uwe.se

